



CE

Model Number

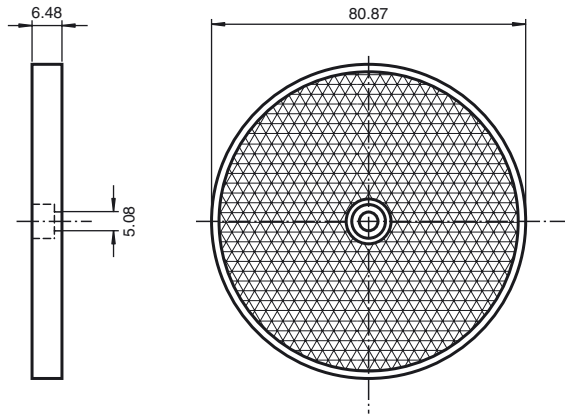
FE-RR1

Reflector, round \varnothing 80.87 mm, central mounting hole

Features

- Mounting holes for simple installation
- Round, corner-cube reflector
- Temperature range: -4°F to $+185^{\circ}\text{F}$

Dimensions



Technical data

General specifications

Construction type circular

Ambient conditions

Ambient temperature $-20 \dots 85^{\circ}\text{C}$ ($-4 \dots 185^{\circ}\text{F}$)

Mechanical specifications

Material PMMA/ABS

Dimensions Diameter: 80.87 mm

Mounting mounting hole