



DT-2R-A7



Actual product appearance may vary.

DT Series Standard Basic Switch, Double Pole Double Throw Circuitry, 10 A at 28 Vdc, Pin Plunger Actuator, Screw Termination, Military Part Number MS25008-1

Features

- Mounting interchangeability with type Z switches
- Rated for 10 A at 240 Vac
- Temperature tolerance to 82 °C [180 °F]
- Design permits several wiring combinations

Potential Applications

- Irrigation systems
- Semi-trailer trucks
- Timing devices
- Office equipment
- Test instruments
- Medical/dental equipment
- HVAC equipment
- Manually operated devices
- Valves

Description

MICRO SWITCH™ DT Series standard basic switches consist of two independent single-pole double throw circuits in one housing actuated by one actuator. The terminals are separated by a non-conductive shield to reduce shorting.

Product Specifications	
Switch Type	Standard 25,4 mm H x 17,8 mm W x 50,8 mm L [1.0 in H x 0.7 in W x 2.0 in L]
Sealed	No
Ampere Rating	10 A
Circuitry	Double Pole Double Throw (DPDT)
Actuator	Pin Plunger
Termination	Screw
Operating Temperature Range	-55 °C to 85 °C [-67 °F to 185 °F]
Voltage	28 Vdc
Approvals	CSA,UL
Contact Type	Silver
Operating Force (O.F.)	1,95 N - 2,78 N [7.0 oz - 10.0 oz]
Release Force (R.F.)	0,56 N [2.0 oz] min.

Pretravel (P.T.)	1,91 mm [0.075 in] max.
Overtravel (O.T.)	0,13 mm [0.005 in] min.
Differential Travel (D.T.)	1,02 mm - 1,52 mm [0.040 in - 0.060 in]
Operating Position (O.P.)	15,62 mm \pm 0,38 mm [0.615 in \pm 0.015 in]
Housing Material	General Purpose Phenolic
UL File #	E 12252
CSA File #	LR 41372
Military Part Number	MS25008-1
Mounting Screw Size	3,53 mm [0.139 in]
Mounting Centers	25,4 mm \pm 0,05 mm [1 in \pm 0.002 in]
Maximum Tightening Torque	0,33 N m [3.0 in lb]
Weight	35,38 g [0.078 lb] max.
Package Height	32,49 mm [1.28 in]
Package Width	17,53 mm [0.69 in]
Package Length	49,28 mm [1.94 in]
Availability	Global
UNSPSC Code	30211905
UNSPSC Commodity	30211905 Snap switches
Series Name	DT



MICRO SWITCH

FREEPORT, ILLINOIS, U.S.A.
A DIVISION OF HONEYWELL

FED. MFG. CODE 91929

SWITCH-BASIC

CATALOG LISTING
DT-2R-A7

MS 25008-1

L 0061834
T S K
17 JUL 87

DT-2R-A7

DRAWING NUMBER

ISSUE

REVISIONS

A	CO17725	L E B	27 MAY 63
B	CO24941	M B S	2 NOV 68
C	CO26075	M B S	26 AUG 69
D	CO26678	R E R	1 DEC 69
E	CO37528	C J H	31 AUG 76
F	CO58589	R E R	12 APR 77
G	CO39046	G A S	16 SEPT 77
H	CO-50326	K A G	24 NOV 81
J	CO58827	T A D	18 DEC 85
K	CO62095	T S K	10 JUL 87

REPLACES

RELEASE NO.

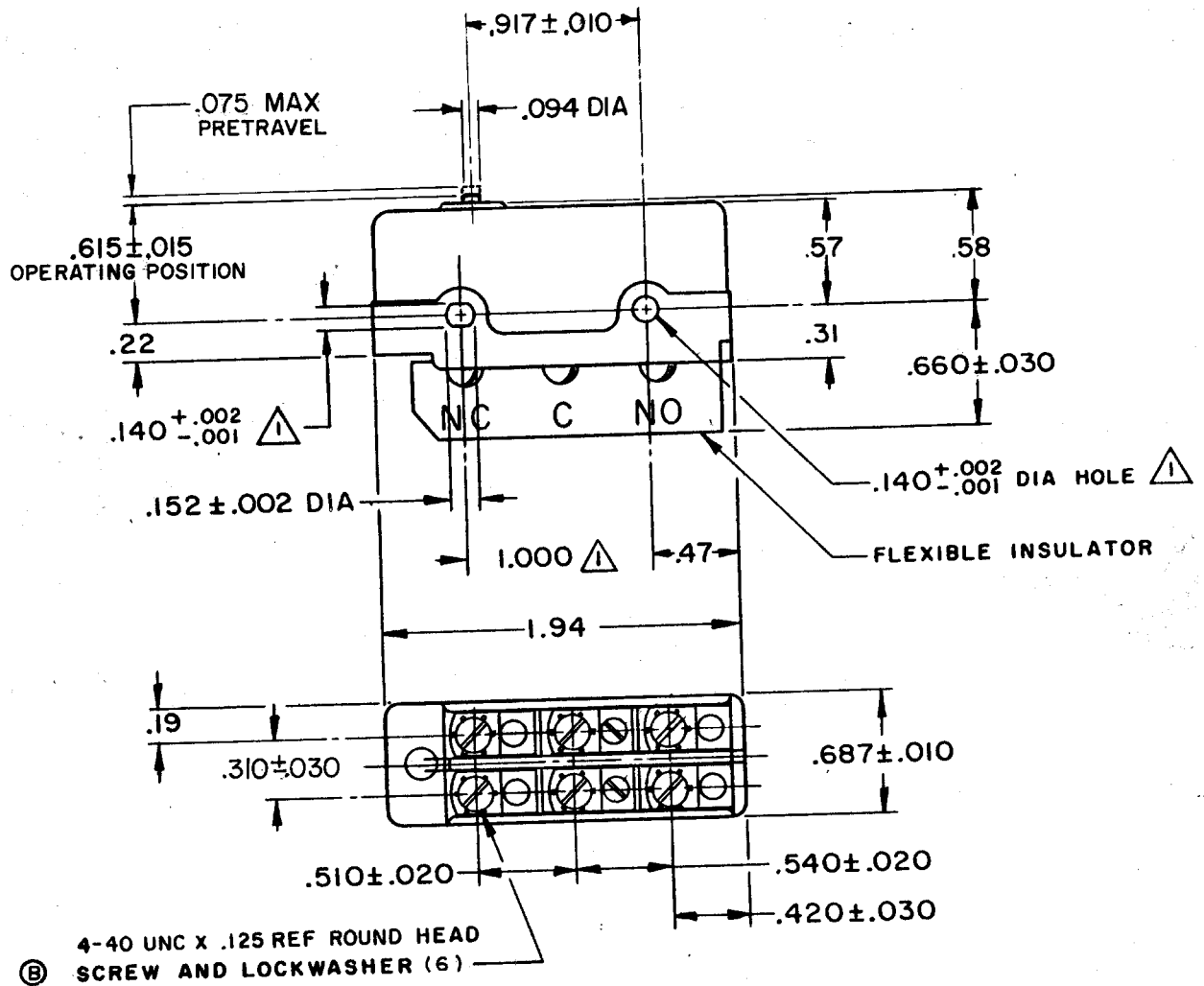
CHECK

CHECK

C H 29 MAY 63

C H 27 MAY 63

DRAWN



② 4-40 UNC X .125 REF ROUND HEAD SCREW AND LOCKWASHER (6)

NOTE -

△ - MOUNTING HOLES WILL ACCEPT PINS OR SCREWS OF .139 MAX DIA ON 1.000 ± .002 CENTERS

THIS DRAWING COVERS A PROPRIETARY ITEM AND IS THE PROPERTY OF MICRO SWITCH, A DIVISION OF MINNEAPOLIS-HONEYWELL REGULATOR CO. THIS DRAWING IS NOT TO BE COPIED OR USED WITHOUT THE APPROVAL OF MICRO SWITCH.

CHARACTERISTICS

OPERATING FORCE	12-20 OZ
RELEASE FORCE	2 OZ MIN
DIFFERENTIAL TRAVEL	.040-.060
OVERTRAVEL	.005 MIN

ELECTRICAL DATA

CONTACT ARRANGEMENT	D P D T
UNDERWRITERS' LAB. INC. LISTED RATING	15A
	10 A-125 OR 250 VAC
	0.3 A-125 VDC ; 0.15 A-250 VDC
DWL	

SCALE FULL

DO NOT SCALE PRINT		
UNLESS OTHERWISE NOTED		
DIMENSIONS ARE IN INCHES		
TOLERANCES ARE:		
ONE PLACE	(.0)	±.030
TWO PLACE	(.00)	±.015
THREE PLACE	(.000)	±.005
ANGLES		±

WEIGHT .078 LB MAX ①