

HONEYWELL Basic Switches



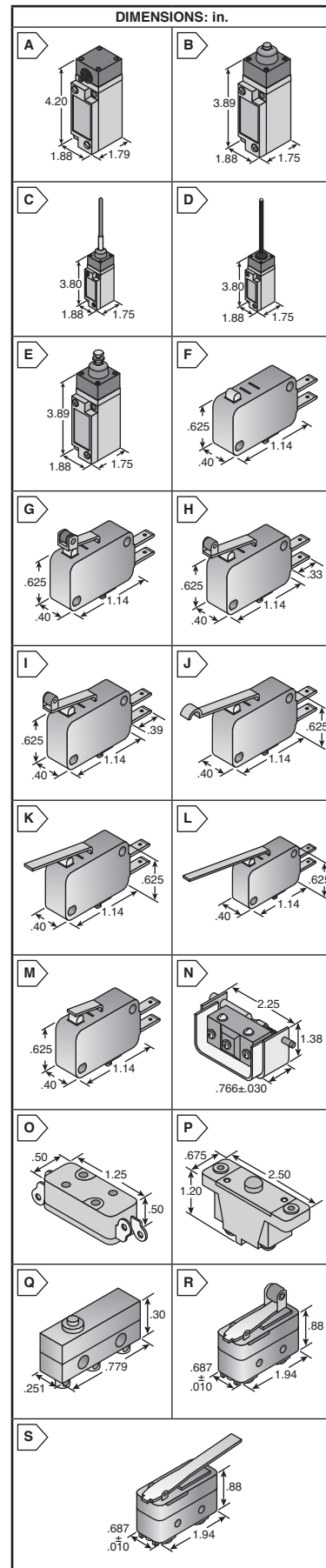
RoHS compliant This product is RoHS compliant.

MICRO SWITCH™ HEAVY-DUTY LIMIT SWITCHES

Housed in a rugged, die-cast body, the switch is epoxy coated for protection. Wide choice of mounting and actuator options. Low temperature and fluorocarbon (high temperature) construction, as well as factory-sealed, pre-wired versions, are available.

For quantities greater than listed, call for quote.

MOUSER STOCK NO.	Honeywell Part No.	Fig.	Contact Form	Circuitry	Actuator Type	Op. Force (Max.)	Price Each		
							1	10	50
785-LSA1A	LSA1A	A	SPDT	1 NC 1 NO	Side Rotary	0.45 N	107.15	97.46	92.33
785-LSA3K	LSA3K	A	SPDT	1 NC 1 NO	Side Rotary	0.45 N	139.47	130.62	119.27
* 785-LSA4L	LSA4L	A	DPDT	2 NC 2 NO	Side Rotary	0.45 N	168.22	159.52	144.56
785-LSA7L	LSA7L	A	DPDT	2 NC 2 NO	Side Rotary	0.45 N	181.67	172.26	156.11
785-LSM2D	LSM2D	A	DPDT	2 NC 2 NO	Side Rotary	0.45 N	178.06	166.75	152.25
785-LSM6D	LSM6D	A	DPDT	2 NC 2 NO	Side Rotary	0.45 N	178.06	166.75	152.25
785-LSN1A	LSN1A	A	SPDT	1 NC 1 NO	Side Rotary	0.45 N	158.38	148.32	135.43
785-LSU1A	LSU1A	A	SPDT	1 NC 1 NO	Side Rotary	0.45 N	147.56	138.18	126.16
785-LSU3K	LSU3K	A	SPDT	1 NC 1 NO	Side Rotary	0.45 N	155.48	152.59	149.84
785-LSW1A	LSW1A	A	SPDT	1 NC 1 NO	Side Plunger-adj.	26.69 N	144.21	132.98	126.93
785-LSYAB3K	LSYAB3K	A	SPDT	1 NC 1 NO	Side Rotary	0.45 N	142.52	133.48	121.87
785-LSYPB1A	LSYPB1A	A	SPDT	1 NC 1 NO	Side Rotary	0.45 N	163.54	149.92	144.21
785-LSC1A	LSC1A	B	SPDT	1 NC 1 NO	Top Plunger	17.79 N	151.97	142.32	126.28
785-LSJ1A-7A	LSJ1A-7A	C	SPDT	1 NC 1 NO	Wobble-Plastic Rod	2.78 N	151.97	142.32	129.93
785-LSK1A-8C	LSK1A-8C	D	SPDT	1 NC 1 NO	Wobble-Coil Spring	1.95 N	162.61	139.84	121.94
785-LSV1A	LSV1A	E	SPDT	1 NC 1 NO	Top Plunger-adj.	17.79 N	162.62	146.83	131.02



V-BASIC SWITCHES

• Termination Style: Quick Connect * Solder Lug
 † Through Hole

For quantities greater than listed, call for quote.

MOUSER STOCK NO.	Honeywell Part No.	Fig.	Contact Form	Voltage	Actuator Type	Op. Force (Max.)	Price Each		
							1	10	50
785-V7-1B17D8	V7-1B17D8	F	SPDT	250VAC	Pin Plunger	1.47 N	2.92	2.65	2.45
785-V7-1C17D8	V7-1C17D8	F	SPDT	250VAC	Pin Plunger	1.47 N	3.11	2.96	2.68
785-V7-1C17E9	V7-1C17E9	F	SPDT	277VAC	Pin Plunger	1.47 N	3.60	3.23	3.02
785-V7-1S17D8	V7-1S17D8	F	SPDT	125VAC	Pin Plunger	1.47 N	4.72	4.62	3.93
785-V7-1V19E9	V7-1V19E9	F	SPDT	277VAC	Pin Plunger	2.21 N	4.43	4.19	3.80
785-V7-1V29E9	V7-1V29E9	F	SPNO	277VAC	Pin Plunger	2.21 N	3.52	3.17	2.67
785-V7-1Z19E9	V7-1Z19E9	F	SPDT	250VAC	Pin Plunger	7.9 N	4.76	3.25	2.73
785-V7-1Z29E9	V7-1Z29E9	F	SPNO	250VAC	Pin Plunger	7.9 N	5.07	3.46	2.92
785-V7-2B17D8	V7-2B17D8	F	SPDT	250VAC	Pin Plunger	2.63 N	2.29	2.13	2.00
785-V7-3E17D8	V7-3E17D8	F	SPDT	277VAC	Pin Plunger	0.49 N	3.72	3.13	2.63
785-V7-4A17D8	V7-4A17D8	F	SPDT	250VAC	Pin Plunger	0.25 N	4.73	2.96	2.77
785-V7-5F17D8	V7-5F17D8	F	SPDT	250VAC	Pin Plunger	0.15 N	3.61	2.94	2.75
785-V7-6B19D8	V7-6B19D8	F	SPDT	277VAC	Pin Plunger	1.67 N	3.38	3.15	2.93
785-V7-6C17D8	V7-6C17D8	F	SPDT	277VAC	Pin Plunger	1.67 N	3.90	3.82	3.52
785-V7-1C17D8-201	V7-1C17D8-201	G	SPDT	277VAC	Roller Lever	1.72 N	3.65	3.18	2.96
785-V7-1C17E9-201	V7-1C17E9-201	G	SPDT	277VAC	Roller Lever	1.72 N	4.24	3.44	3.22
785-V7-2B17D8-201	V7-2B17D8-201	G	SPDT	277VAC	Roller Lever	0.86 N	3.12	2.84	2.39
785-V7-2S17D8-201	V7-2S17D8-201	G	SPDT	125VAC	Roller Lever	0.88 N	5.35	4.34	3.80
785-V7-7B17D8-201	V7-7B17D8-201	G	SPDT	277VAC	Roller Lever	2.78 N	4.20	3.96	3.79
785-V7-2B17D8-207	V7-2B17D8-207	G	SPDT	277VAC	Roller Lever	.44 N	3.26	3.09	2.79
785-V7-7D17D8-207	V7-7D17D8-207	G	SPDT	125VAC	Roller Lever	1.39 N	8.79	6.42	5.66
785-V7-1C13D8-201	V7-1C13D8-201	G	SPDT	277VAC	Roller Lever	6.17 N	3.55	3.20	3.03
785-V7-1C17E9-207	V7-1C17E9-207	H	SPDT	277VAC	Roller Lever	0.84 N	4.90	3.44	3.22
785-V7-1B17D8-207	V7-1B17D8-207	I	SPDT	277VAC	Roller Lever	3 N	4.07	3.94	3.68
785-V7-1C17D8-207	V7-1C17D8-207	I	SPDT	277VAC	Roller Lever	3.2 N	5.53	3.89	3.65
785-V7-1B17D8-263	V7-1B17D8-263	J	SPDT	277VAC	Sim Roller Lever	0.88 N	3.37	3.03	2.82
785-V7-1C17D8-263	V7-1C17D8-263	J	SPDT	277VAC	Sim Roller Lever	0.89 N	4.11	3.90	3.63
785-V7-1S17D8-263	V7-1S17D8-263	J	SPDT	125VAC	Sim Roller Lever	0.88 N	4.73	4.40	4.14
785-V7-6C17D8-263	V7-6C17D8-263	J	SPDT	277VAC	Sim Roller Lever	2.22 N	4.75	3.80	3.21
785-V7-7B19D8-263	V7-7B19D8-263	J	SPDT	277VAC	Sim Roller Lever	1.39 N	3.33	3.16	2.86
785-V7-1B17D8-022	V7-1B17D8-022	K	SPDT	277VAC	Straight Lever	0.80 N	3.16	2.83	2.76
785-V7-1C17D8-022	V7-1C17D8-022	K	SPDT	277VAC	Straight Lever	0.80 N	3.86	3.66	3.32
785-V7-1S17D8-022	V7-1S17D8-022	K	SPDT	125VAC	Straight Lever	0.83 N	4.54	4.31	3.90
785-V7-3E17E9-022	V7-3E17E9-022	K	SPDT	277VAC	Straight Lever	0.29 N	3.27	2.94	2.76
785-V7-1B19D8-022	V7-1B19D8-022	K	SPDT	277VAC	Straight Lever	2.9 N	4.37	3.59	3.01
785-V7-2B17D8-022	V7-2B17D8-022	K	SPDT	277VAC	Straight Lever	1.5 N	2.39	2.29	2.00
785-V7-1B17D8-048	V7-1B17D8-048	L	SPDT	277VAC	Straight Lever	0.49 N	4.99	3.29	3.08
785-V7-1C17D8-048	V7-1C17D8-048	L	SPDT	277VAC	Straight Lever	0.44 N	3.60	3.47	3.29
785-V7-1V19E9-048	V7-1V19E9-048	L	SPDT	277VAC	Straight Lever	0.54 N	4.19	3.40	3.19
785-V7-3S17D8-048	V7-3S17D8-048	L	SPDT	125VAC	Straight Lever	0.16 N	3.21	2.95	2.86
785-V7-6B19D8-057	V7-6B19D8-057	L	SPDT	250VAC	Straight Lever	0.54 N	3.53	3.35	3.04
785-V7-9W1AE9-048	V7-9W1AE9-048	L	SPDT	250VAC	Straight Lever	0.88 N	6.66	5.36	4.50
785-V7-2B17D8-048	V7-2B17D8-048	L	SPDT	277VAC	Straight Lever	0.7 N	2.55	2.42	2.18
* 785-V7-6C17D8-048-1	V7-6C17D8-048-1	L	SPDT	277VAC	Straight Lever	4.23 N	5.58	5.30	4.80
785-V7-1C17D8-002	V7-1C17D8-002	M	SPDT	277VAC	Straight Lever	1.57 N	3.74	3.38	2.88
785-V7-6C18D8-002	V7-6C18D8-002	M	SPDT	277VAC	Straight Lever	4.05 N	3.48	3.14	2.93

MICRO SWITCH™ SPECIAL APPLICATION PRECISION SWITCHES

Contain a spring and set of contacts that convert mechanical energy applied to an actuator into an electrical output. Products include door interlocks that automatically cut power when a service drawer is opened, as well as switches that can handle a variety of special electrical load requirements. Wide variety of actuators, terminations, circuitry configurations, electrical ratings, contact materials, operating characteristics and sealing provide application flexibility. U.S., European and other approval agency compliance allow global use.

For quantities greater than listed, call for quote.

MOUSER STOCK NO.	Honeywell Part No.	Fig.	Contact Form	Voltage	Actuator Type	Op. Force (max.)	Termination Style	Price Each		
								1	10	50
785-1AC2	1AC2	N	SPDT	250Vac	Rod	N/A	Screw	61.55	59.15	56.68
785-1TB1-2	1TB1-2	O	DPDT	250Vac	Pin Plunger	3.61 N	Solder	48.44	46.01	43.56
785-3MN1	3MN1	P	DPDT	480Vac	Pin Plunger	5.56 N	Screw	33.03	30.83	26.81
785-DT-2R-A7	DT-2R-A7	Q	DPDT	28Vdc	Pin Plunger	2.78 N	Screw	59.69	55.90	51.04
785-MT-4RV22-A28	MT-4RV22-A28	R	SPDT	125Vdc	Roller Lever	1.25 N	Screw	127.64	121.05	109.71
785-MT-4RV-A28	MT-4RV-A28	S	SPDT	125Vdc	Straight Lever	0.56 N	Screw	110.75	105.02	95.18