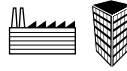


## Low Water Cut-Offs – Mechanical For Steam Boilers

### Series 157S



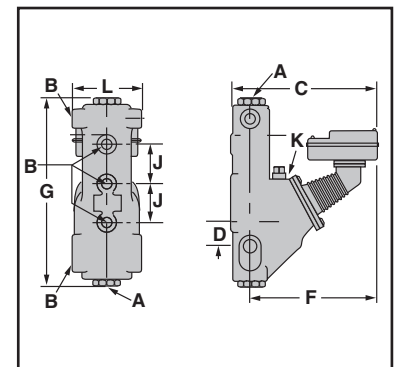
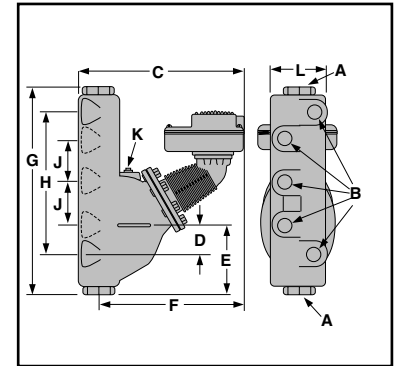
### Low Water Cut-Off/Pump Controllers

- For residential, commercial and industrial low or high pressure boiler applications
- For boilers of any steaming capacity
- Monel bellows provides corrosion resistance
- Float chamber with integral water column provided
- Snap action for high temperature service
  - 1 Single pole, single throw switch for pump control
  - 1 Single pole, double throw switch for low water cut-off and alarm actuation
- Optional features
  - Manual reset
  - Integral conductance probes for additional levels and greater operating differential-Model 157S-RBP-MD
  - 1" or 1 1/4" NPT equalizing tappings
  - 1/2" or 3/4" NPT tappings for gauge glass/tri-cock installations
  - BSPT threads
- Maximum pressure 150 psi (10.5 kg/cm<sup>2</sup>)
- For new electronic 150E Series see page 37

### Model 157S-MD

#### Maximum differential operation

- Prevents nuisance burner shutdowns in **low pressure** applications
- Maximum operating pressure 50 psi (3.5 kg/cm<sup>2</sup>)
- For additional information see page 48



### Electrical Ratings

Voltage	Cut-off and Pump Circuits Rating (Amperes)		Pilot Duty
	Full Load	Locked Rotor	
120 VAC	7.4	44.4	345 VA at 120 or 240 VAC
240 VAC	3.7	22.2	

Alarm Circuit Rating (Amperes)	
Voltage	Amps
120 VAC	1
240 VAC	1/2

### Dimensions, in. (mm)

Model	A NPT	B NPT	C	D	E	F	G	H	J	K NPT	L
157S	1	1/2	13 3/8 (339)	2 5/16 (59)	4 15/16 (125)	11 3/4 (298)	16 (406)	11 1/2 (292)	3 1/2 (89)	3/4	5 7/8 (149)
157S-A	1 1/4	3/4	13 3/8 (339)	2 5/16 (59)	4 15/16 (125)	11 3/4 (298)	16 (406)	11 1/2 (292)	3 1/2 (89)	3/4	5 7/8 (149)
157S-R	1	1/2	13 3/8 (339)	2 1/4 (57)	5 7/8 (149)	11 3/4 (298)	17 (432)	11 1/2 (292)	3 1/2 (89)	3/4	6 1/4 (159)
157S-RL	1 1/4	1/2	13 3/8 (345)	3 1/2 (89)	5 7/8 (149)	11 3/4 (298)	17 (432)	12 3/4 (324)	3 1/2 (89)	3/4	6 1/4 (159)

### Ordering Information

Model Number	Part Number	Description	Weight lbs. (kg)
157S	173502	150S low water cut-off w/water column	39.7 (18.0)
<b>157S-MD</b>	<b>173603</b>	<b>157S w/maximum differential</b>	<b>39.7 (18.0)</b>
157S-A	173702	157S w/alternate tappings	39.5 (17.9)
157S-A-M	173802	157S-A w/manual reset	39.5 (17.9)
157S-M	175402	157S w/manual reset	39.7 (18.0)
<b>157S-M-MD</b>	<b>175412</b>	<b>157S-M w/maximum differential</b>	<b>39.7 (18.0)</b>
157S-R	176220	157S w/alternate tappings	42.0 (19.0)
157S-R-M	177306	157S-R w/manual reset	42.0 (19.0)
<b>157S-RBP-MD</b>	<b>176503</b>	<b>157S w/2 integral conductance probes</b>	<b>51.0 (23.1)</b>
157S-RL	176902	157S w/alternate tappings	42.0 (19.0)
157S-RL-M	177006	157S-RL w/manual reset	42.0 (19.0)