

Features
Standard Materials of Construction

- Body-Brass, (Bronze or 303 Stainless Steel available)
- Seals-NBR
- Plunger and Pole Piece - 430FR Stainless Steel
- Plunger Tube - 305 Stainless Steel
- Springs - 302 Stainless Steel
- Shading Coil - Copper (Brass Bodies), Silver (Stainless Steel Bodies)
- Disc Holder-Celcon

Voltages

- DC - 24 (other voltages available upon request)
- AC - 110/120 - 50/60 (other voltages available upon request)

Coil

- Class F Standard, Class H Available

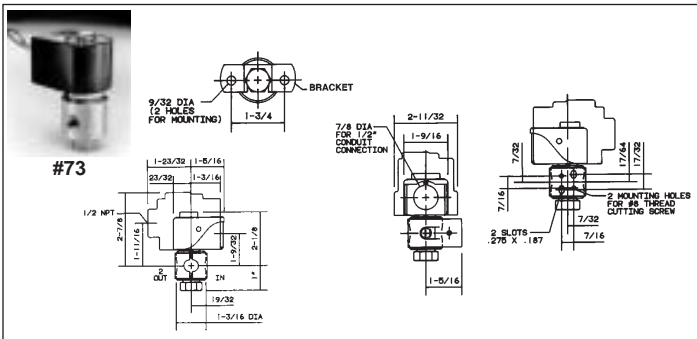
Agency Approvals

- Standard valves with general purpose or explosion proof solenoid enclosures are UL Listed and CSA Certified. For details consult factory.

Note: For other voltages, sizes, enclosures & options please contact Carlton-Bates Company.

Series 30 3-Way Small Direct Acting NEMA 4X Coil, NBR Seals

NPT Pipe Size	Mfr.'s Type	Type	Coil Voltage	Minimum PSI	Air, Inert Gas PSI	Water PSI	Light Oil 300SSU PSI	Body Material	Construction Ref#	Each
1/8	02F30C1103AAF4C05	NC	120/60 VAC	0	200	200	200	Brass	73	75.75
1/8	02F30C1106AAF4C05	NC	120/60 VAC	0	100	100	100	Brass	73	68.25
1/8	02F30O1103AAF4C05	NO	120/60 VAC	0	200	200	200	Brass	73	75.75
1/8	02F30O1103A1F4C80	NO	24 VDC	0	200	200	200	Brass	73	75.75
1/8	02F30U1103ABF4C05	UNIV	120/60 VAC	0	175	175	175	Brass	73	84.75
1/8	02F30U1106AAF4C05	UNIV	120/60 VAC	0	50	50	50	Brass	73	68.25
1/8	02F30U1106A1F4C80	UNIV	24 VDC	0	50	50	50	Brass	73	68.25
1/4	04F30C2104AAF4C05	NC	120/60 VAC	0	125	125	125	Brass	74	87.00
1/4	04F30C2106ACF4C05	NC	120/60 VAC	0	150	150	150	Brass	75	88.25
1/4	04F30C2106A3F4C80	NC	24 VDC	0	115	115	115	Brass	75	88.25
1/4	04F30C2108A3F4C80	NC	24 VDC	0	60	60	60	Brass	75	88.25
1/4	04F30O2104ADF4C05	NO	120/60 VAC	0	235	250	250	Brass	75	98.00
1/4	04F30O2106ACF4C05	NO	120/60 VAC	0	140	140	140	Brass	75	88.25
1/4	04F30U2106ADF4C05	UNIV	120/60 VAC	0	100	100	100	Brass	75	90.50
1/4	04F30U2106A3F4C80	UNIV	24 VDC	0	60	60	60	Brass	75	88.25
1/4	04F30U2108A3F4C80	UNIV	24 VDC	0	25	25	25	Brass	75	88.25



Specifications

Temperature Ratings (media as listed):

- AC Voltages: 200°F max. (180°F Average)
- DC Voltages: 150°F max. (150°F Average)
- Ambient: 32-77°F (standard)

Installation:

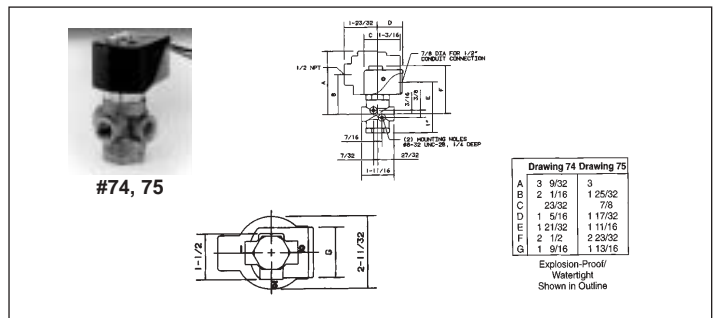
- Series 30 valves may be mounted in any position. Product and mounting dimensions shown are nominal. For certified dimensions, call.

Applications:

- Used in a variety of applications including: Automated Systems, Dispensing Systems, Instrumentation, Pilot Operators, Laundry Equipment, Sampling Systems, Compressors, Water Treatment, and Air Dryers.

Operating Specifications:

- Normally Closed-energize to pressurize operating device. De-energized, operating device is exhausted.
- Normally Open-energize to exhaust operating device. De-energized, operating device is pressurized
- Universal-Can be installed for either normally closed, or normally open operation. Universal mode of operation is also suitable for flow selection (pressure at port 2 and 3) or diversion (pressure at port 1)



Gold Ring Series 34

Features
Standard Materials of Construction

- Body-Brass
- Seals-NBR
- Plunger and Pole Piece - 430FR Stainless Steel
- Plunger Tube - 305 Stainless Steel
- Springs - 302 Stainless Steel
- Shading Coil - Copper (Brass Bodies)
- Disc Holder-Celcon

Voltages

- DC - 24 (other voltages available upon request)
- AC - 110/120 - 50/60 (other voltages available upon request)

Coil

- Class F Standard, Class H Available

Specifications
Temperature Ratings (media as listed):

- AC Voltages: 180°F max.
- DC Voltages: 180°F max.
- Ambient: 32-77°F (standard)

Installation:

- For proper operation, valves should be mounted vertical and upright. Product and mounting dimensions shown are nominal. For certified dimensions, call.

Applications:

- Used in a variety of applications including: Pilots, Cylinders, Compressor Unloaders and Turbines.

Operating Specifications:

- Normally Closed-energize to pressurize operating device. De-energized to exhaust operating device.
- Normally Open-energize to exhaust operating device. De-energized to pressurize operating device.

Series 34 3-Way High Flow Internally Piloted Diaphragm NEMA 4X Coil

Note: For other voltages, sizes, enclosures & options please call Carlton-Bates.

NPT Pipe Size	Mfr.'s Type	Type	Coil Voltage	Minimum PSI	Air, Inert Gas PSI	Water PSI	Light Oil 300SSU PSI	Body Material	Construction Ref#	Each
1/2	08F34C2140AAF4C05	NC	120/60 VAC	10	125	125	125	Brass	77	282.50
1/2	08F34C2140ADF4C05	NC	120/60 VAC	10	250	250	250	Brass	78	302.75
1/2	08F34C2140A3F4C80	NC	24 VDC	10	250	250	250	Brass	78	300.50
1/2	08F34O2140ACF4C05	NO	120/60 VAC	10	225	225	225	Brass	81	300.50

Drawings on Next Page