

**Shinko**

**2ch Digital Indicating Controller**

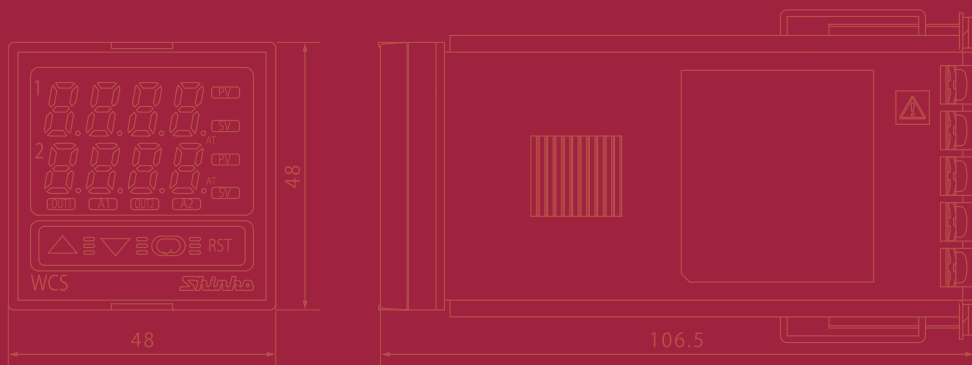
**WCS-13A**

Indicating Controller

Dual unit functionality within **One** unit



2-unit functions, **One** 48<sup>2</sup> mm unit integration  
*Reduce mounting space greatly via one unit usage.*



**Controller + Timer**

Dual controller

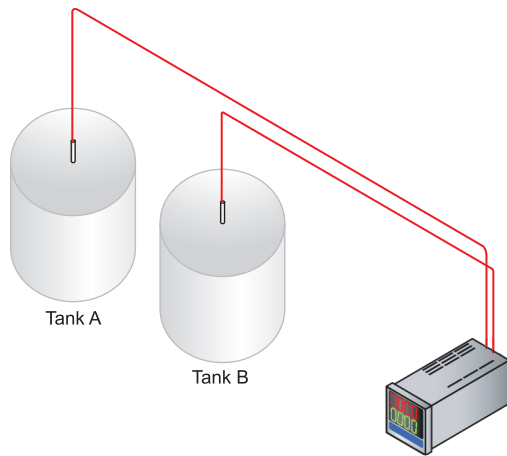


## 1 PV difference input function

Input difference between 2 points can be detected, and constantly maintained.

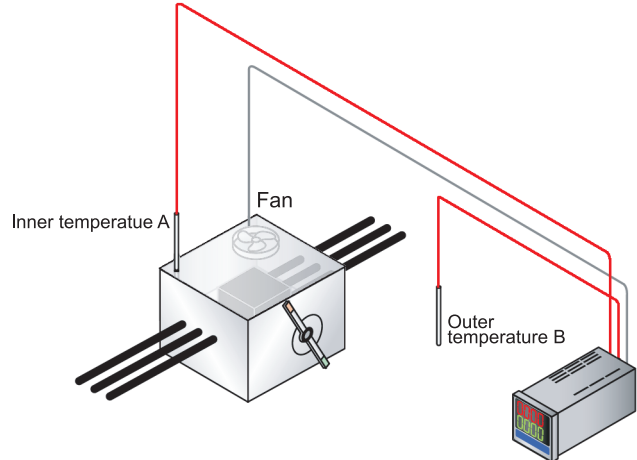
### ● Alarm output by level difference of 2 tanks

Detecting the difference between 2-tank levels, the alarm activates when a constant difference cannot be maintained, as Tank B's level becomes higher, compared with Tank A's level.



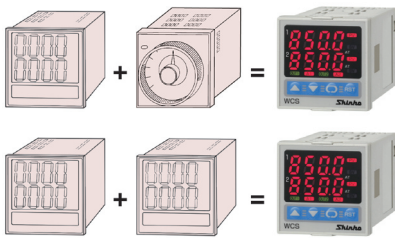
### ● Preventing a large-scale circuit breaker from internal dew condensation

By controlling the temperature difference between the inner and outer breaker, dew condensation is preventable.



## 2 User defined combination

Controller+Timer, Dual controller



Controller + Timer

or...

Controller + Controller

## 3 CH2 function

The following functions are selectable.

**【If CH2 is of Multi-range input (-M), DC voltage input (-V) or PV difference input (-S) spec】**

- CH2 controller (2ch controller)
- CH1 output 2 (1-input, 2-output)
- CH1 cooling output (1ch Heating/Cooling control output)
- CH1 transmission output (Effective when CH2 is DC current output type)
- CH1 timer

**【If CH2 is based on delay timer (-T) spec】**

- Delay timer 1
- Delay timer 2

## 4 CH1 and CH2 Input/Output selection

Input / Output type can be selected for CH1 and CH2 respectively. (If CH2 is based on delay timer (-T) spec, CH2 output is not available)

### 【Input】

- Multi-range input: Thermocouple, RTD, DC current and DC voltage (0 to 1 V DC) can be selected by keypad.
- DC voltage input: 0 to 5V DC, 1 to 5V DC or 0 to 10V DC can be selected by keypad.
- Delay timer (\*)
- PV difference input (\*): CH1 PV-CH2 PV=PV, Control is performed using the PV. CH2 uses the same set values (input type, etc.) as CH1. (\*): Available for CH2

### 【Control output】

- Relay contact: 1a
- Non-contact voltage (for SSR drive) : 12V DC±15%
- DC current: 4 to 20mA DC

## Model

WCS - 1	3	A - □ / □ □ □ □ □ □ □ □	Series name : WCS-13A (W48×H48mm)
Control action	3		PID
Alarm output	A		Alarm type can be selected by keypad. (*1)
CH1 control output	R		Relay contact: 1a
	S		Non-contact voltage (for SSR drive) : 12V DC±15%
	A		DC current: 4 to 20mA DC
CH2 control output	R		Relay contact: 1a
	S		Non-contact voltage (for SSR drive) : 12V DC±15%
	A		DC current: 4 to 20mA DC
	0		No control output as CH2 input is based on delay timer spec
CH1 input	M		Multi-range input (*2)
	V		DC voltage input (0 to 5V DC, 1 to 5V DC, 0 to 10V DC) (*3)
CH2 input	M		Multi-range input (2ch controller) (*2)
	V		DC voltage input (0 to 5V DC, 1 to 5V DC, 0 to 10V DC) (2ch controller) (*3)
	T		Delay timer (1ch controller + Timer)
	S		PV difference input: CH1 PV-CH2 PV=PV, Control is performed using the PV. (1ch controller)
Supply voltage			100 to 240V AC (standard)
	1		24V AC/DC (*4)
Option		BK	Color: Black
		TC	Terminal cover

(\*1): Alarm types (9 types and No alarm action) and Energized/De-energized can be selected by keypad.

(\*2): Thermocouple, RTD, DC current, and DC voltage (only 0 to 1 V DC) can be selected by keypad.

(\*3): 0 to 5V DC, 1 to 5V DC or 0 to 10V DC can be selected by keypad.

(\*4): Supply voltage 100 to 240V AC is standard. When ordering 24V AC/DC, enter "1" after the input code.

## Input rated range

### • Full multi-range input

Input type		Input range		Input type		Input range	
Thermocouple	K	-200 to 1370 °C	-320 to 2500 °F	RTD	Pt100	-199.9 to 850.0 °C	-199.9 to 999.9 °F
		-199.9 to 400.0 °C	-199.9 to 750.0 °F			-200 to 850 °C	-300 to 1500 °F
	J	-200 to 1000 °C	-320 to 1800 °F	JPt100	-199.9 to 500.0 °C	-199.9 to 900.0 °F	
	R	0 to 1760 °C	0 to 3200 °F		-200 to 500 °C	-300 to 900 °F	
	S	0 to 1760 °C	0 to 3200 °F	DC current	4 to 20mA DC	-1999 to 9999	
	B	0 to 1820 °C	0 to 3300 °F		0 to 20mA DC		
	E	-200 to 800 °C	-320 to 1500 °F	DC voltage	0 to 1V DC		
	T	-199.9 to 400.0 °C	-199.9 to 750.0 °F				
	N	-200 to 1300 °C	-320 to 2300 °F				
	PL-II	0 to 1390 °C	0 to 2500 °F				
C(W/Re5-26)	0 to 2315 °C	0 to 4200 °F					

- For the DC current and voltage input, scaling and decimal point place change are possible.
- For the DC current input, connect 50Ω shunt resistor (sold separately) between input terminals.

### • DC voltage input

Input type		Input range
DC voltage	0 to 5V DC	-1999 to 9999
	1 to 5V DC	
	0 to 10V DC	

- For the DC voltage input, scaling and decimal point place change are possible.

## Standard specifications

Display	CH1 PV/SV display Red 4 digits, Character size: 8×4mm (H x W) (The same as the CH2 PV/SV display)
Input	Thermocouple --- K, J, R, S, B, E, T, N, PL-II, C (W/Re5-26) External resistance: 100Ω or less, however, for B input, 40Ω or less RTD ----- Pt100, JPt100 3-wire system (Allowable input lead wire resistance: 10Ω or less per wire) DC current ----- 0 to 20mA DC, 4 to 20mA DC: Input impedance: 50Ω (50Ω shunt resistor must be connected between input terminals.) Allowable input current: 50mA DC or less (when 50Ω shunt resistor is used) DC voltage ----- 0 to 1V DC: Input impedance: 1MΩ or more Allowable input voltage: 5V DC or less, Allowable signal source resistance: 2kΩ or less 0 to 5V DC, 1 to 5V DC, 0 to 10V DC: Input impedance: 100kΩ or more, Allowable input voltage: 15V DC or less Allowable signal source resistance: 100Ω or less
Accuracy (Setting·Indication)	Thermocouple ----- Within ±0.2% of each input span ±1digit, or within ±2°C (4°F), whichever is greater However, R, S input, the range is 0 to 200°C (0 to 400°F): Within ±6°C (12°F) B input, the range is 0 to 300°C (0 to 600°F): The accuracy is not guaranteed. K, J, E, T, N input, less than 0°C (32°F): Within ±0.4% of input span ±1digit RTD ----- Within ±0.1% of each input span ±1digit, or within 1°C (2°F), whichever is greater DC current, voltage ----- Within ±0.2% of each input span ±1digit
Input sampling period	0.5sec
CH1 timer function	Time accuracy: Within ±0.5% of the setting time
Control output (OUT)	Relay contact ----- 1a, control capacity: 3A 250V AC(resistive load), 1A 250V AC (inductive load cosφ=0.4), Electric life: 100,000 cycles Non-contact voltage ----- 12V DC ±15% Max. 40mA DC (short circuit protected) DC current ----- 4 to 20mA DC load resistance: Max. 550Ω
Control action	The following actions can be selected by keypad. (Default: PID) PID (with auto-tuning function), PI, PD (with auto-reset function), P (with auto-reset function), ON/OFF OUT1 proportional band (P) --- 0 to 1000°C (2000°F), 0.0 to 999.9°C (°F), or 0.0 to 100.0% (ON/OFF action when set to 0 or 0.0) Integral time (I) ----- 0 to 1000sec (Off when set to 0) Derivative time (D) ----- 0 to 300sec (Off when set to 0) ARW ----- 0 to 100% Proportional cycle ----- 1 to 120sec (Not available for DC current output type) ON/OFF action hysteresis ----- 0.1 to 100.0°C (°F) or 1 to 1000 Output high limit ----- 0 to 100% (DC current: -5 to 105%) Output low limit ----- 0 to 100% (DC current: -5 to 105%)
Alarm output	Alarm types can be selected by keypad. (Default: No alarm action) · High limit alarm (Deviation setting) Setting range: -(Input span) to Input span · Low limit alarm (Deviation setting) Setting range: -(Input span) to Input span · High/Low limits alarm (Deviation setting) Setting range: 0 to Input span · High/Low limit range alarm (Deviation setting) Setting range: 0 to Input span · Process high alarm Setting range: Input range low limit to Input range high limit value · Process low alarm Setting range: Input range low limit to Input range high limit value · High limit alarm with standby (Deviation setting) Setting range: -(Input span) to Input span · Low limit alarm with standby (Deviation setting) Setting range: -(Input span) to Input span · High/Low limits alarm with standby (Deviation setting) Setting range: 0 to Input span For DC current or voltage input, the input span is the same as the scaling span. For DC current or voltage input, the input range low (or high) limit value is the same as the scaling low (or high) limit value. Setting accuracy ----- The same as the indication accuracy Action ----- ON/OFF action Hysteresis ----- Thermocouple, RTD input: 0.1 to 100.0°C (°F) DC current, voltage input: 1 to 1000 Output ----- Relay contact 1a, Control capacity: 3A 250V AC (Resistive load) Electric life: 100,000 cycles
Alarm 2 output	If CH1 cooling output is selected during CH2 function selection, CH1 will be OUT1 (Heating output) and CH2 will be OUT2 (Cooling output). OUT2 proportional band ----- 0.0 to 10.0 times OUT1 (CH1) proportional band (ON/OFF action when set to 0.0) OUT2 integral time ----- The same as that of OUT1 (CH1) OUT2 derivative time ----- The same as that of OUT1 (CH1) OUT2 proportional cycle ----- 1 to 120 seconds Overlap/Dead band ----- Thermocouple, RTD input: -100.0 to 100.0°C (°F) DC current, voltage input: -1000 to 1000 (The placement of the decimal point follows the selection) OUT2 ON/OFF action hysteresis -- Thermocouple, RTD input: 0.1 to 100.0°C (°F), DC current, voltage input: 1 to 1000 (The placement of the decimal point follows the selection) OUT2 high limit ----- 0 to 100% (DC current: -5 to 105%) OUT2 low limit ----- 0 to 100% (DC current: -5 to 105%) OUT2 action mode ----- Air cooling (linear characteristic), Oil cooling (1.5th power of the linear characteristic), Water cooling (2nd power of the linear characteristic). Selectable by keypads. Control output ----- Refer to the "Control output".
Delay timer	Between DI terminals Open: OFF, Between DI terminals Closed: ON, Circuit current when closed: 6mA
Transmission output	When CH1 transmission output (effective when CH2 is DC current output type) is selected during CH2 function selection, the value outputs in current, converting the value (PV, SV or MV) to an analog signal every 0.5 seconds. Resolution: 1/8192, Current: 4 to 20mA DC, Load resistance: Max. 550Ω, Output accuracy: Within ±0.3% of Transmission output scaling span.
Supply voltage	100 to 240V AC 50/60Hz, 24V AC/DC 50/60Hz Allowable voltage fluctuation range: 85 to 264V AC, 20 to 28V AC/DC
Power consumption	Approx. 8 VA
Insulation resistance	10MΩ or more, at 500V DC
Dielectric strength	Between Input terminal-Power terminal, Between Output terminal-Power terminal ---- 1.5kV AC for 1 minute
Environment	Ambient temperature: 0 to 50°C Ambient humidity: 35 to 85%RH (Non-condensing) Conforms to RoHS directive.
Case (Material, Color)	Material: Flame-resistant resin, Color: Light gray
Mounting	Flush (Mountable panel thickness: 1 to 8mm)

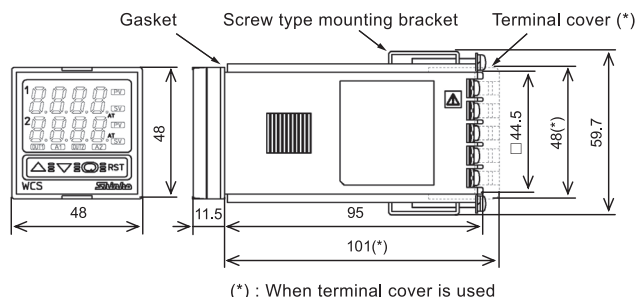
Setting	Sheet key input
Dimensions, Weight	External dimensions: W48×H48×D106.5mm Weight: Approx. 180g
Attached functions	Sensor correction, Set value lock, Power failure countermeasure, Self-diagnosis, Automatic cold junction temperature compensation (only for thermocouple), Burnout (overscale), Indication range, Control range, Warm-up indication, CH2 function selection
Accessories sold separately	50Ω Shunt resistor (for DC current input)

## Optinal specifications

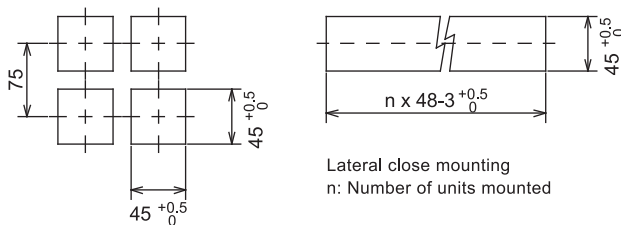
Please specify options according to users' needs. When ordering, specify an option code to be applied.

Color Black [BK]	Front panel frame and case: Black
Terminal cover [TC]	Electrical shock protection cover Be sure to use this terminal cover by adding this option if operator may touch the back of the controller while running the controller.

## External dimensions (Scale: mm)

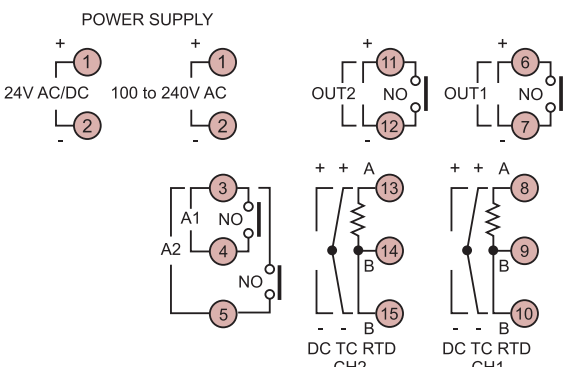


## Panel Cutout (Scale: mm)



## Terminal arrangement

- If CH2 is of Multi-range input (-M), DC voltage input (-V) or PV difference input (-S) spec

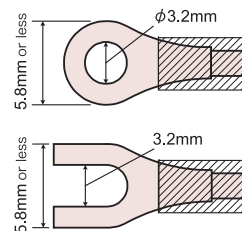


## Caution

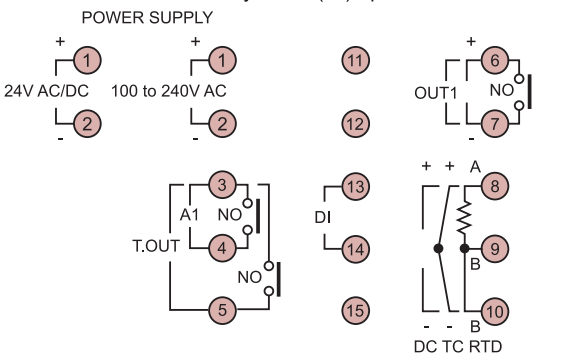
If lateral close mounting is used for the controller, IP66 specification (Dust-proof/Drip-proof) may be compromised, and all warranties will be invalidated.

## Solderless terminal

Use a solderless terminal with an insulation sleeve in which the M3 screw fits. The torque should be 0.63N·m.



- If CH2 is based on delay timer (-T) spec



## Caution

- This controller does not have a built-in power switch, circuit breaker or fuse. It is necessary to install them near the controller.
- For a 24V AC/DC power source, do not confuse polarity when using direct current (DC).



- To ensure safe and correct use, thoroughly read and understand the manual before using this instrument.
- This instrument is intended to be used for industrial machinery, machine tools and measuring equipment. Verify correct usage after consulting purpose of use with our agency or main office. (Never use this instrument for medical purposes with which human lives are involved.)
- External protection devices such as protection equipment against excessive temperature rise, etc. must be installed, as malfunction of this product could result in serious damage to the system or injury to personnel. Also proper periodic maintenance is required.
- This instrument must be used under the conditions and environment described in the manual. Shinko Technos Co., Ltd. does not accept liability for any injury, loss of life or damage occurring due to the instrument being used under conditions not otherwise stated in this manual.

## Caution with respect to Export Trade Control Ordinance

To avoid this instrument from being used as a component in, or as being utilized in the manufacture of weapons of mass destruction (i.e. military applications, military equipment, etc.), please investigate the end users and the final use of this instrument. In the case of resale, ensure that this instrument is not illegally exported.

This catalog is as of March 2009 and its contents are subject to change without notice.  
If you have any inquiries, please consult us or our agency.

## SHINKO TECHNOS CO., LTD. OVERSEAS DIVISION

Reg. Office : 2-5-1, Senbahigashi, Minoo, Osaka, 562-0035, Japan  
Tel : 81-72-727-6100  
Fax : 81-72-727-7006  
URL : <http://www.shinko-technos.co.jp>  
E-mail : [overseas@shinko-technos.co.jp](mailto:overseas@shinko-technos.co.jp)