

Product Catalogue 2006/2007

## xEnergy Installation Mounting Systems

Valid from April 2006



### xEnergy

Reliably and safely controlling, switching and managing power. In industry, in buildings and in machine construction. Innovative protection concepts. With built-in diagnostics and communication functions. Housed in modern switchboard systems.

NZM circuit-breakers

IZM circuit-breakers



# MOELLER



We keep power under control.

## Table of Contents - Ordering Information for Switchboard Accessories

|   |        |
|---|--------|
| Fixed mounting frames for <b>XBoard+</b> installation outgoers        | Page 3 |
| Withdrawable mounting frames for <b>XBoard+</b> installation outgoers | Page 7 |
| Fixed mounting frames for <b>XEnergy</b> installation outgoers        | Page 9 |

## xEnergy Mounting Frames for Installation Outgoers

- Fixed mounting frames - **XBoard+**
- Withdrawable mounting frames - **XBoard+**
- Fixed mounting frames - **XEnergy**
- Designed for Moeller switchgear
- Main busbar systems - rear-mounted
- Degree of protection IP 30
- Colour RAL 7035

VT05906, VT06906, VT07006, VT07206



# xEnergy Switchboard Accessories

## Fixed Mounting Frames for XBoard+ Installation Outgoers

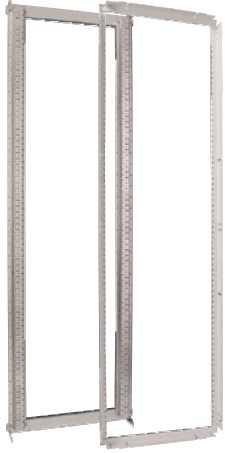
- Without XSMIB20

| Height of Section (mm) | Width of Section (mm) | Type Designation | Article No. | Units per package |
|------------------------|-----------------------|------------------|-------------|-------------------|
|------------------------|-----------------------|------------------|-------------|-------------------|

### Mounting Frames for Rear-mounted Busbars, XSMEF

|      |      |           |        |   |
|------|------|-----------|--------|---|
| 600  | 425  | XSMEF0604 | 106414 | 1 |
|      | 600  | XSMEF0606 | 106415 | 1 |
|      | 800  | XSMEF0608 | 106416 | 1 |
|      | 1000 | XSMEF0610 | 106417 | 1 |
| 1000 | 425  | XSMEF1004 | 106418 | 1 |
|      | 600  | XSMEF1006 | 106419 | 1 |
|      | 800  | XSMEF1008 | 106530 | 1 |
|      | 1000 | XSMEF1010 | 106531 | 1 |
| 1400 | 425  | XSMEF1404 | 106532 | 1 |
|      | 600  | XSMEF1406 | 106533 | 1 |
|      | 800  | XSMEF1408 | 106534 | 1 |
|      | 1000 | XSMEF1410 | 106535 | 1 |
| 2000 | 425  | XSMEF2004 | 106536 | 1 |
|      | 600  | XSMEF2006 | 106537 | 1 |
|      | 800  | XSMEF2008 | 106538 | 1 |
|      | 1000 | XSMEF2010 | 106539 | 1 |

VT06906, VT07006



VT06806, VT06906



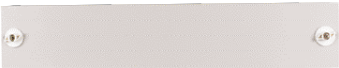

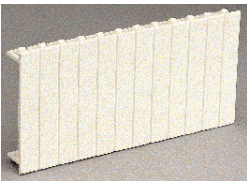

# xEnergy Switchboard Accessories

## Accessories to Fixed Mounting Frames for XBoard+ Installation Outgoers

|  | Width (mm) / MU                               | Type Designation  | Article No. | Units per package |
|--|---|-------------------|-------------|-------------------|
|  <p>VT07205</p>           | <b>DIN-Rail Set, BPZ-DINR</b>                 |                   |             |                   |
|  | • Set including towers and fastening elements |                   |             |                   |
|  | <b>Towers - height-adjustable</b>             |                   |             |                   |
|  | 425 / 13                                      | BPZ-DINR13-400-T  | 286751      | 10                |
|  | 600 / 24                                      | BPZ-DINR24-600-T  | 286753      | 10                |
|  <p>VT07305</p>           | <b>Towers - fixed</b>                         |                   |             |                   |
|  | 425 / 13                                      | BPZ-DINR13-400-B  | 286752      | 10                |
|  | 600 / 24                                      | BPZ-DINR24-600-B  | 286754      | 10                |
|  | 800 / 35                                      | BPZ-DINR35-800-B  | 286756      | 10                |
|  | 1000 / 46                                     | BPZ-DINR46-1000-B | 293591      | 10                |
|  <p>VT07705, VT07605</p> | <b>Towers, BPZ-T</b>                          |                   |             |                   |
|  | fixed   | BPZ-TF            | 100043      | 1                 |
|  | height-adjustable                             | BPZ-TA            | 100042      | 1                 |
|  <p>9603414</p>         | <b>Fastening Elements, BEL</b>                |                   |             |                   |
|  | • pairs                                       |                   |             |                   |
|  | white   | BEL12             | 275199      | 1                 |
|  | green   | BEL01             | 275200      | 1                 |
|  <p>VT07405</p>         | <b>DIN-Rail, BPZ-DINR</b>                     |                   |             |                   |
|  | 425 / 13                                      | BPZ-DINR13-400    | 293594      | 1                 |
|  | 600 / 24                                      | BPZ-DINR24-600    | 293595      | 1                 |
|  | 800 / 35                                      | BPZ-DINR35-800    | 293596      | 1                 |
|  | 1000 / 46                                     | BPZ-DINR46-1000   | 293597      | 1                 |
|  <p>3895</p>            | <b>Cable Duct Angles, KKW</b>                 |                   |             |                   |
|  |   | KKW-40            | 275242      | 1                 |
|  |   | KKW-DIN           | 275243      | 1                 |

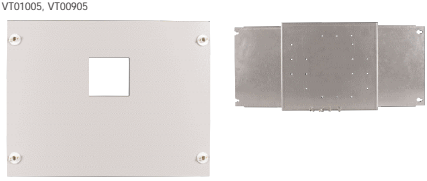
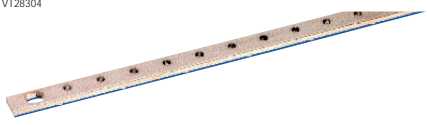

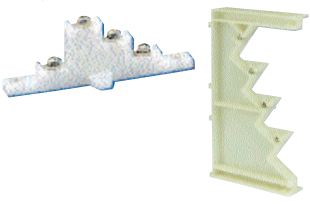

# xEnergy Switchboard Accessories

## Accessories to Fixed Mounting Frames for XBoard+ Installation Outgoers

|  | Width(mm) / Height (mm)                                 | Type Designation   | Article No. | Units per package  |
|--|---|--------------------|-------------|--------------------|
| VT00305<br>   | <b>Front Plates, blind, BPZ-FP-...-BL</b>               |                    |             |                    |
|  | 425 / 50  | BPZ-FP-400/050-BL  | 286675      | 1                  |
|  | 425 / 100   | BPZ-FP-400/100-BL  | 286676      | 1                  |
|  | 425 / 150   | BPZ-FP-400/150-BL  | 286677      | 1                  |
|  | 425 / 200   | BPZ-FP-400/200-BL  | 286679      | 1                  |
|  | 600 / 50  | BPZ-FP-600/050-BL  | 286681      | 1                  |
|  | 600 / 100   | BPZ-FP-600/100-BL  | 286682      | 1                  |
|  | 600 / 150   | BPZ-FP-600/150-BL  | 286683      | 1                  |
|  | 600 / 200   | BPZ-FP-600/200-BL  | 286685      | 1                  |
|  | 800 / 50  | BPZ-FP-800/050-BL  | 286687      | 1                  |
|  | 800 / 100   | BPZ-FP-800/100-BL  | 286688      | 1                  |
|  | 800 / 150   | BPZ-FP-800/150-BL  | 286689      | 1                  |
|  | 800 / 200   | BPZ-FP-800/200-BL  | 286691      | 1                  |
|  | 1000 / 50   | BPZ-FP-1000/050-BL | 293526      | 1                  |
|  | 1000 / 100  | BPZ-FP-1000/100-BL | 293528      | 1                  |
| 1000 / 150   | BPZ-FP-1000/150-BL                                      | 293530             | 1           |                    |
| 1000 / 200   | BPZ-FP-1000/200-BL                                      | 293534             | 1           |                    |
| VT00405<br>   | <b>Front Plates with a 45 mm Cut-out, BPZ-FP-...-45</b> |                    |             |                    |
|  | 425 / 150 / 13  | BPZ-FP-400/150-45  | 286678      | 1                  |
|  | 425 / 200 / 13  | BPZ-FP-400/200-45  | 286680      | 1                  |
|  | 600 / 150 / 24  | BPZ-FP-600/150-45  | 286684      | 1                  |
|  | 600 / 200 / 24  | BPZ-FP-600/200-45  | 286686      | 1                  |
|  | 800 / 150 / 35  | BPZ-FP-800/150-45  | 286690      | 1                  |
|  | 800 / 200 / 35  | BPZ-FP-800/200-45  | 286692      | 1                  |
|  | 1000 / 150 / 46   | BPZ-FP-1000/150-45 | 293532      | 1                  |
|  | 1000 / 200 / 46   | BPZ-FP-1000/200-45 | 293536      | 1                  |
| 10194<br>   | <b>Front Plate Covers</b>                               |                    |             |                    |
|  | Cover module 45mm                                       | AM-45              | 275409      | 10 units           |
|  | Cover plate 45mm  | AP-45              | 275410      | 2 units + 4 wedges |
|  | Cover plate 45mm (6MU)                                  | AP-45-W            | 275411      | 1 unit             |
|  | Labelling strips  | BZST-1000          | 275412      | 1 m                |
|  | Cover strip 45 mm                                       | NBP-1000           | 275413      | 1 unit             |
| VT00805<br> | <b>Universal Mounting Plate, BPZ-MPL</b>                |                    |             |                    |
|  | • incl. screws  |                    |             |                    |
|  | 425 / 30  | BPZ-MPL30-400      | 104316      | 1                  |
|  | 600 / 30  | BPZ-MPL30-600      | 104317      | 1                  |
|  | 800 / 30  | BPZ-MPL30-800      | 104318      | 1                  |
|  | 1000 / 30   | BPZ-MPL30-1000     | 104319      | 1                  |
|  | 425 / 80  | BPZ-MPL80-400      | 286765      | 1                  |
|  | 600 / 80  | BPZ-MPL80-600      | 286766      | 1                  |
|  | 800 / 80  | BPZ-MPL80-800      | 286767      | 1                  |
|  | 1000 / 80   | BPZ-MPL80-1000     | 293609      | 1                  |
|  | 425 / 180   | BPZ-MPL180-400     | 102472      | 1                  |
|  | 600 / 180   | BPZ-MPL180-600     | 102473      | 1                  |
|  | 800 / 180   | BPZ-MPL180-800     | 102474      | 1                  |
|  | 1000 / 180  | BPZ-MPL180-1000    | 102475      | 1                  |

# xEnergy Switchboard Accessories

## Accessories to Fixed Mounting Frames for XBoard+ Installation Outgoers

|   | Width (mm) / Height (mm)  | Type Designation      | Article No. | Units per package |
|---|---|-----------------------|-------------|-------------------|
|  <p>VT01005, VT00905</p>   | <b>Mounting Plate, BPZ-NZM</b>  |                       |             |                   |
|   | • Sets for NZM1, 2 and 3 (horizontal or vertical), incl. front plate and screws |                       |             |                   |
|   | <b>Vertical</b>   |                       |             |                   |
|   | 425 / 300   | BPZ-NZM1-400-MV       | 286757      | 1                 |
|   | 425 / 400   | BPZ-NZM2-400-MV       | 286758      | 1                 |
|   | 425 / 500   | BPZ-NZM3-400-MV       | 286759      | 1                 |
|   | 600 / 300   | BPZ-NZM1-600-MV       | 286762      | 1                 |
|   | 600 / 400   | BPZ-NZM2-600-MV       | 286763      | 1                 |
|   | 600 / 500   | BPZ-NZM3-600-MV       | 286764      | 1                 |
|   | 800 / 300   | BPZ-NZM1-800-MV       | 293603      | 1                 |
|   | 800 / 400   | BPZ-NZM2-800-MV       | 293605      | 1                 |
|   | 800 / 500   | BPZ-NZM3-800-MV       | 293607      | 1                 |
|   | <b>Horizontal</b>   |                       |             |                   |
|   | 600 / 250   | BPZ-NZM1-600-MH       | 286760      | 1                 |
|   | 600 / 300   | BPZ-NZM2-600-MH       | 286761      | 1                 |
| 800 / 250   | BPZ-NZM1-800-MH   | 293599                | 1           |                   |
| 800 / 300   | BPZ-NZM2-800-MH   | 293601                | 1           |                   |
|  <p>VT28304</p>           | <b>Busbar with Thread, BPZ-BB/T</b>   |                       |             |                   |
|   | 15 x 5 x 1000, M6, 218 A  | BPZ-BB/T-15/5/1000    | 289861      | 4                 |
|   | 20 x 5 x 1000, M6, 274 A  | BPZ-BB/T-20/5/1000    | 289862      | 4                 |
|   | 32 x 5 x 1000, M6, 400 A  | BPZ-BB/T-32/5/1000    | 289863      | 4                 |
|   | 15 x 5 x 2000, M6, 218 A  | BPZ-BB/T-15/5/2000    | 289864      | 4                 |
|   | 20 x 5 x 2000, M6, 274 A  | BPZ-BB/T-20/5/2000    | 289865      | 4                 |
|   | 20 x 10 x 1000, M8, 427 A   | BPZ-BB/T-20/10/1000   | 289866      | 4                 |
|   | 30 x 10 x 1000, M8, 573 A   | BPZ-BB/T-30/10/1000   | 289867      | 4                 |
|                          | <b>Protective Cover, BPZ-BBS/PC-1000/250/3</b>                                  |                       |             |                   |
|   | 1000 x 250 x 3  | BPZ-BBS/PC-1000/250/3 | 289942      | 1                 |
|  <p>VT28404, VT28204</p> | <b>4-Pole Busbar Support, BPZ-BBS4</b>  |                       |             |                   |
|   | 160-400 A / 15x5 and 20x5   | BPZ-BBS-4/400         | 289868      | 10                |
|   | 160-630 A / 15x5 up to 30x10  | BPZ-BBS-4/630         | 289869      | 2                 |
|  <p>VT07905</p>          | <b>Mounting Elements for 4-Pole Busbar Support 630 A, BPZ-BR/BBS630/V</b>       |                       |             |                   |
|   | • Pair  | BPZ-BR/BBS630/V       | 104331      | 1                 |

# xEnergy Switchboard Accessories

## Withdrawable Mounting Frames for XBoard+ Installation Outgoers

- Without XSMIB20

| Height of Section (mm) | Width of Section (mm) | Type Designation | Article No. | Units per package |
|------------------------|-----------------------|------------------|-------------|-------------------|
|------------------------|-----------------------|------------------|-------------|-------------------|

### Mounting Frames for Rear-mounted Busbars, XSMEH

|      |      |           |        |   |
|------|------|-----------|--------|---|
| 600  | 425  | XSMEH0604 | 106540 | 1 |
|      | 600  | XSMEH0606 | 106541 | 1 |
|      | 800  | XSMEH0608 | 106542 | 1 |
|      | 1000 | XSMEH0610 | 106543 | 1 |
| 1000 | 425  | XSMEH1004 | 106544 | 1 |
|      | 600  | XSMEH1006 | 106545 | 1 |
|      | 800  | XSMEH1008 | 106546 | 1 |
|      | 1000 | XSMEH1010 | 106547 | 1 |
| 1400 | 425  | XSMEH1404 | 106548 | 1 |
|      | 600  | XSMEH1406 | 106549 | 1 |
|      | 800  | XSMEH1408 | 106550 | 1 |
|      | 1000 | XSMEH1410 | 106551 | 1 |
| 2000 | 425  | XSMEH2004 | 106552 | 1 |
|      | 600  | XSMEH2006 | 106553 | 1 |
|      | 800  | XSMEH2008 | 106554 | 1 |
|      | 1000 | XSMEH2010 | 106555 | 1 |

VT07206



VT06706





# xEnergy Switchboard Accessories

## Accessories to Withdrawable Mounting Frames for XBoard+ Installation Outgoers

|  | Width (mm) / MU                              | Type Designation | Article No. | Units per package  |
|--|--|------------------|-------------|--------------------|
|  <p>VT09306</p>   | DIN-Rail Set, XMMH..M                        |                  |             |                    |
|  | • Set incl. BEL01 fastening elements         |                  |             |                    |
|  | 425 / 11                                     | XMMH04M          | 106564      | 1                  |
|  | 600 / 22                                     | XMMH06M          | 106565      | 1                  |
|  | 800 / 33                                     | XMMH08M          | 106566      | 1                  |
| 1000 / 44  | XMMH10M                                      | 106567           | 1           |                    |
|  <p>3895</p>      | Cable Duct Angles, KKW                       |                  |             |                    |
|  |  | KKW-40           | 275242      | 1                  |
|  |  | KKW-DIN          | 275243      | 1                  |
|  <p>VT00305</p>   | Front Plates, blind, XMEH....C               |                  |             |                    |
|  | 425 / 50                                     | XMEH0204C        | 106568      | 1                  |
|  | 425 / 100                                    | XMEH0404C        | 106569      | 1                  |
|  | 425 / 150                                    | XMEH0604C        | 106570      | 1                  |
|  | 425 / 200                                    | XMEH0804C        | 106571      | 1                  |
|  | 425 / 400                                    | XMEH1604C        | 106572      | 1                  |
|  | 600 / 50                                     | XMEH0206C        | 106573      | 1                  |
|  | 600 /100                                     | XMEH0406C        | 106574      | 1                  |
|  | 600 /150                                     | XMEH0606C        | 106575      | 1                  |
|  | 600 /200                                     | XMEH0806C        | 106576      | 1                  |
|  | 600 / 400                                    | XMEH1606C        | 106577      | 1                  |
|  | 800 / 50                                     | XMEH0208C        | 106578      | 1                  |
|  | 800 / 100                                    | XMEH0408C        | 106579      | 1                  |
|  | 800 / 150                                    | XMEH0608C        | 106580      | 1                  |
|  | 800 / 200                                    | XMEH0808C        | 106581      | 1                  |
|  | 800 / 400                                    | XMEH1608C        | 106582      | 1                  |
|  | 1000 / 50                                    | XMEH0210C        | 106583      | 1                  |
| 1000 / 100   | XMEH0410C                                    | 106584           | 1           |                    |
| 1000 / 150   | XMEH0610C                                    | 106585           | 1           |                    |
| 1000 / 200   | XMEH0810C                                    | 106586           | 1           |                    |
| 1000 / 400   | XMEH1610C                                    | 106587           | 1           |                    |
|  <p>VT00405</p> | Front Plates with a 45 mm Cut-out, XMMH....C |                  |             |                    |
|  | 425 / 150 / 12                               | XMMH0604C        | 106588      | 1                  |
|  | 425 / 200 / 12                               | XMMH0804C        | 106589      | 1                  |
|  | 600 / 150 / 22                               | XMMH0606C        | 106590      | 1                  |
|  | 600 / 200 / 22                               | XMMH0806C        | 106591      | 1                  |
|  | 800 / 150 / 33                               | XMMH0608C        | 106592      | 1                  |
|  | 800 / 200 / 33                               | XMMH0808C        | 106593      | 1                  |
|  | 1000 / 150 / 44                              | XMMH0610C        | 106594      | 1                  |
| 1000 / 200 / 44  | XMMH0810C                                    | 106595           | 1           |                    |
|  <p>10194</p>   | Front Plate Covers                           |                  |             |                    |
|  | Cover module 45mm                            | AM-45            | 275409      | 10 units           |
|  | Cover plate 45mm                             | AP-45            | 275410      | 2 units + 4 wedges |
|  | Cover plate 45mm (6MU)                       | AP-45-W          | 275411      | 1 unit             |
|  | Labelling strip                              | BZST-1000        | 275412      | 1 m                |
|  | Cover strip 45 mm                            | NBP-1000         | 275413      | 1 unit             |

# xEnergy Switchboard Accessories

## Fixed Mounting Frames for XEnergy Installation Outgoers

- For XSMIB20

| Height of Section (mm) | Width of Section (mm) | Type Designation | Article No. | Units per package |
|------------------------|-----------------------|------------------|-------------|-------------------|
|------------------------|-----------------------|------------------|-------------|-------------------|

### Mounting Frames for Rear-mounted Busbars, XSME X





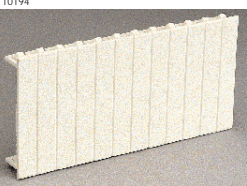
|      |      |            |        |   |
|------|------|------------|--------|---|
| 600  | 425  | XSME X0604 | 106556 | 1 |
|      | 600  | XSME X0606 | 106557 | 1 |
|      | 800  | XSME X0608 | 106558 | 1 |
|      | 1000 | XSME X0610 | 106559 | 1 |
| 2000 | 425  | XSME X2004 | 106560 | 1 |
|      | 600  | XSME X2006 | 106561 | 1 |
|      | 800  | XSME X2008 | 106562 | 1 |
|      | 1000 | XSME X2010 | 106563 | 1 |

VT07306



# xEnergy Switchboard Accessories

## Accessories to Fixed Mounting Frames for **XEnergy** Installation Outgoers

|   | Width (mm) / Height (mm) / MU   | Type Designation | Article No. | Units per package  |
|---|---|------------------|-------------|--------------------|
|  <p>VT09206</p>            | <b>Mounting Plate, XMMC....M</b><br>• Set incl. DIN-rail and fastening angles                                     |                  |             |                    |
|   | 425 / 150 / 1x12  | XMMC0604M        | 283980      | 1                  |
|   | 425 / 200 / 1x12  | XMMC0804M        | 283984      | 1                  |
|   | 425 / 300 / 2x12  | XMMC1204M        | 283988      | 1                  |
|   | 425 / 400 / 2x12  | XMMC1604M        | 283992      | 1                  |
|   | 600 / 150 / 1x24  | XMMC0606M        | 283982      | 1                  |
|   | 600 / 200 / 1x24  | XMMC0806M        | 283986      | 1                  |
|   | 600 / 300 / 2x24  | XMMC1206M        | 283990      | 1                  |
|   | 600 / 400 / 2x24  | XMMC1606M        | 283994      | 1                  |
|   | 800 / 150 / 1x35  | XMMC0608M        | 106736      | 1                  |
|   | 800 / 200 / 1x35  | XMMC0808M        | 106737      | 1                  |
|   | 1000 / 150 / 1x46   | XMMC0610M        | 106738      | 1                  |
| 1000 / 200 / 1x46   | XMMC0810M   | 106739           | 1           |                    |
|  <p>VT08806</p>            | <b>Front Plate without a Cut-out, XME....C</b>  |                  |             |                    |
|   | 425 / 50  | XME0204C         | 283922      | 1                  |
|   | 425 / 100   | XME0404C         | 283926      | 1                  |
|   | 425 / 150   | XME0604C         | 283934      | 1                  |
|   | 425 / 200   | XME0804C         | 283939      | 1                  |
|   | 425 / 400   | XME1604C         | 283948      | 1                  |
|   | 600 / 50  | XME0206C         | 283924      | 1                  |
|   | 600 / 100   | XME0406C         | 283930      | 1                  |
|   | 600 / 150   | XME0606C         | 283936      | 1                  |
|   | 600 / 200   | XME0806C         | 283942      | 1                  |
|   | 600 / 400   | XME1606C         | 283950      | 1                  |
|   | 800 / 150   | XME0608C         | 106712      | 1                  |
| 800 / 200   | XME0808C  | 106713           | 1           |                    |
| 1000 / 150  | XME0610C  | 106714           | 1           |                    |
| 1000 / 200  | XME0810C  | 106715           | 1           |                    |
|  <p>VT08906</p>          | <b>Front Plate with a 45mm Cut-out, XMMC....C</b>   |                  |             |                    |
|   | 425 / 150 / 1x12  | XMMC0604C        | 283979      | 1                  |
|   | 425 / 200 / 1x12  | XMMC0804C        | 283983      | 1                  |
|   | 425 / 300 / 2x12  | XMMC1204C        | 283987      | 1                  |
|   | 425 / 400 / 2x12  | XMMC1604C        | 283991      | 1                  |
|   | 600 / 150 / 1x24  | XMMC0606C        | 283981      | 1                  |
|   | 600 / 200 / 1x24  | XMMC0806C        | 283985      | 1                  |
|   | 600 / 300 / 2x24  | XMMC1206C        | 283989      | 1                  |
|   | 600 / 400 / 2x24  | XMMC1606C        | 283993      | 1                  |
|   | 800 / 150 / 1x35  | XMMC0608C        | 106718      | 1                  |
|   | 800 / 200 / 1x35  | XMMC0808C        | 106730      | 1                  |
|   | 1000 / 150 / 1x46   | XMMC0610C        | 106719      | 1                  |
| 1000 / 200 / 1x46   | XMMC0810C   | 106731           | 1           |                    |
|  <p>VT09106, VT08706</p> | <b>Mounting Plate and Front Plate</b><br>Please refer to the <b>XEnergy</b> special catalogue, pages 3/3 and 3/4. |                  |             |                    |
|  <p>10194</p>            | <b>Front Plate Covers</b>   |                  |             |                    |
|   | Cover module 45mm   | AM-45            | 275409      | 10 units           |
|   | Cover plate 45mm  | AP-45            | 275410      | 2 units + 4 wedges |
|   | Cover plate 45mm (6MU)  | AP-45-W          | 275411      | 1 unit             |
|   | Labelling strip   | BZST-1000        | 275412      | 1 m                |
|   | Cover strip 45 mm   | NBP-1000         | 275413      | 1 unit             |

## Table of Contents - Technical Data on Switchboard Accessories

|  |         |
|--|---------|
| Fixed mounting frames for <b>XBoard+</b> installation outgoers                                       | Page 12 |
| Withdrawable mounting frames for <b>XBoard+</b> installation outgoers                                | Page 16 |
| Combination of a fixed and a withdrawable mounting frame<br>for <b>XBoard+</b> installation outgoers | Page 18 |
| Fixed mounting frames for <b>XEnergy</b> installation outgoers                                       | Page 19 |

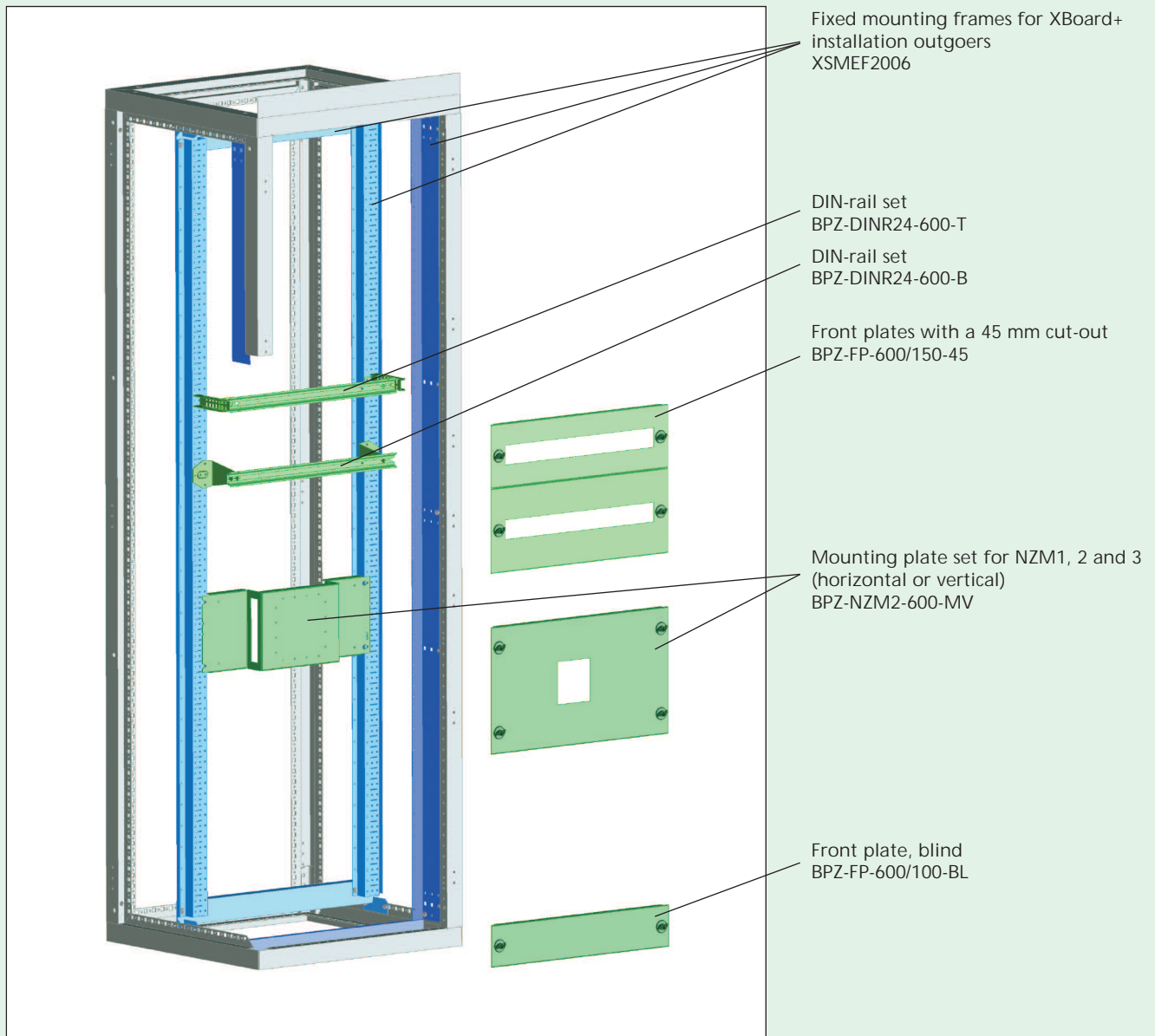
# xEnergy Switchboard Accessories

## Fixed Mounting Frames for XBoard+ Installation Outgoers

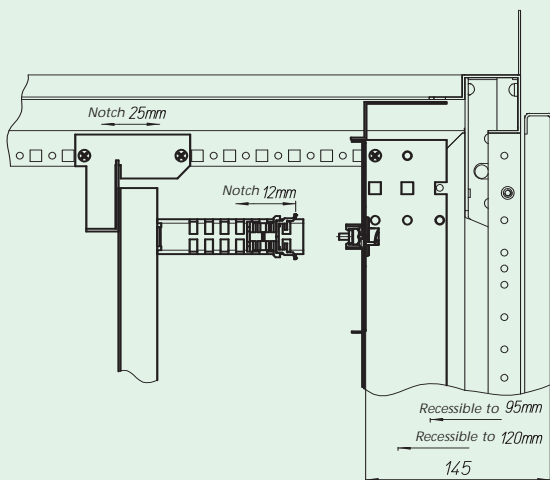
### Features:

- Degree of protection IP30
- Incl. cover frame
- To be operated from outside (without a door to the switchgear area) or from behind the door to the switchgear area
- Both mounting frame and mounting kits are depth-adjustable
- EN 60439-3

### XSMEF



### Mounting levels



### Installation height

| Type designation | Height of section | Module height (mm)<br>(Height of front plates - in mm) |
|------------------|-------------------|--|
| XSMEF06..        | 600               | 600  |
| XSMEF10..        | 1000              | 950  |
| XSMEF14..        | 1400              | 1300   |
| XSMEF20..        | 2000              | 1900   |

# xEnergy Switchboard Accessories

## Accessories to Fixed Mounting Frames for XBoard+ Installation Outgoers

### DIN-Rail Set, BPZ-DINR

- Used for mounting the switchgear

#### Height-adjustable towers

- Scope of delivery: DIN-rail, 2 height-adjustable towers, 2 BEL01 fastening elements, fixing material

#### Fixed towers

- Scope of delivery: DIN-rail, 2 fixed towers, fixing material

### Towers, BPZ-T

- Used for mounting the DIN-rails

#### Height-adjustable towers

- Scope of delivery: 1 Height-adjustable tower, fixing material

#### Fixed towers

- Scope of delivery: 1 Fixed tower, fixing material

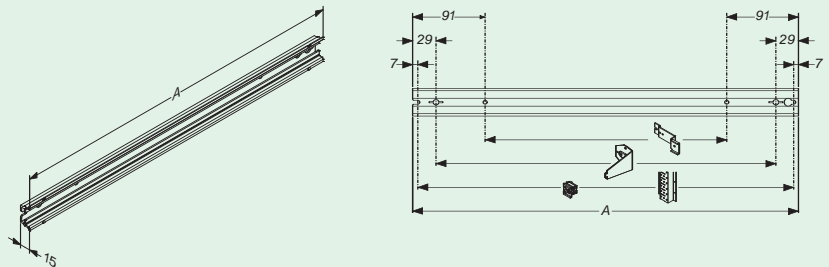
### Fastening Elements, BEL

- Used for mounting the DIN-rails on height-adjustable towers or on the side mounting panels
- White - not grounded
- Green - grounded
- Unmounted - fastening element neither mounted nor grounded
- Scope of delivery: 2 Fastening elements

### DIN-Rail, BPZ-DINR

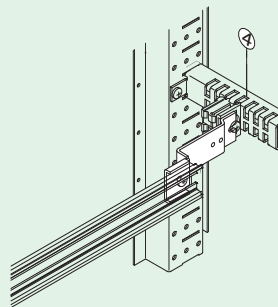
- Used for mounting the switchgear
- Material: Aluminium
- Scope of delivery: 1 DIN-rail
- Dimensions (mm)

|                 | A              |               |               |
|-----------------|----------------|---------------|---------------|
|                 | Outside height | Outside width | Outside depth |
| BPZ-DINR24-600  | 35             | 488           | 15            |
| BPZ-DINR35-800  | 35             | 688           | 15            |
| BPZ-DINR46-1000 | 35             | 888           | 15            |



### Cable Duct Angle, KKW

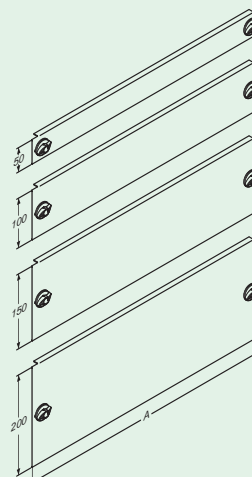
- Used for fixing cable ducts featuring a depth of 60 mm (KKW-DIN) or 80 mm (KKW-40)
- Material: Sheet steel, galvanised
- Scope of delivery: 1 Cable duct angle



### Front Plates, blind, BPZ-FP-...-BL

- Used for covering spare areas and for protecting areas in use
- Material: Sheet steel, powder-coated, RAL 7035
- Metal front plates with a contact to the enclosure
- Scope of delivery: 1 Front plate
- Dimensions (mm)

|                    | A             |
|--------------------|---------------|
|                    | Outside width |
| BPZ-FP-400/...-BL  | 320           |
| BPZ-FP-600/...-BL  | 520           |
| BPZ-FP-800/...-BL  | 720           |
| BPZ-FP-1000/...-BL | 920           |

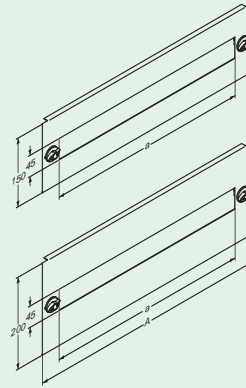


# xEnergy Switchboard Accessories

## Front Plates with a 45 mm Cut-out, BPZ-FP-...-45

- Used for covering switchgear-carrying areas
- Material: Sheet steel, powder-coated, RAL 7035
- Metal front plates with a contact to the enclosure
- Scope of delivery: 1 Front plate
- Dimensions (mm)

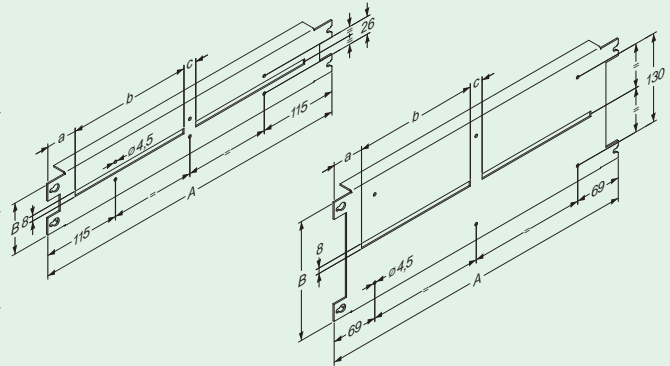
|                    | <b>A</b><br>Outside<br>width | <b>a</b><br>Inside<br>width | <b>MU</b> |
|--------------------|------------------------------|-----------------------------|-----------|
| BPZ-FP-400/...-45  | 320                          | 238                         | 13        |
| BPZ-FP-600/...-45  | 520                          | 438                         | 24        |
| BPZ-FP-800/...-45  | 720                          | 638                         | 35        |
| BPZ-FP-1000/...-45 | 920                          | 838                         | 46        |



## Universal Mounting Plate, BPZ-MPL

- For mounting busbar supports and a wide variety of other devices
- Material: Sheet steel, galvanised
- Scope of delivery: 1 Universal mounting plate, fixing material
- Dimensions (mm)

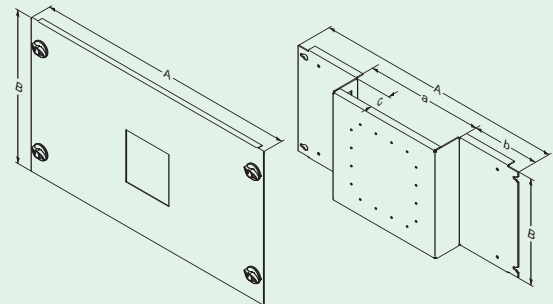
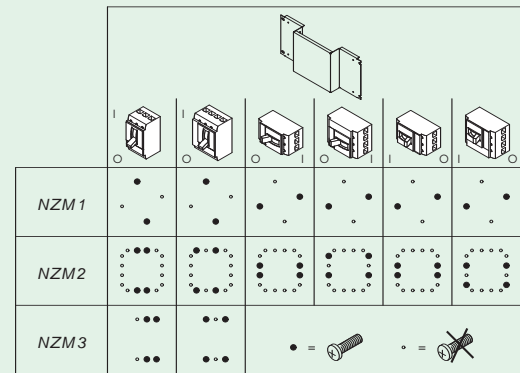
|                 | <b>A</b><br>Outside<br>width | <b>B</b><br>Outside<br>height | <b>a</b><br>Distance | <b>b</b><br>Distance | <b>c</b><br>Distance |
|-----------------|------------------------------|-------------------------------|----------------------|----------------------|----------------------|
| BPZ-MPL30-400   | 288                          | 30                            | 49                   | 190                  | 20                   |
| BPZ-MPL30-600   | 488                          | 30                            | 44                   | 190                  | 20                   |
| BPZ-MPL30-800   | 688                          | 30                            | 46.5                 | 185                  | 20                   |
| BPZ-MPL30-1000  | 888                          | 30                            | 44                   | 185                  | 20                   |
| BPZ-MPL80-400   | 288                          | 80                            | 49                   | 190                  | 20                   |
| BPZ-MPL80-600   | 488                          | 80                            | 44                   | 190                  | 20                   |
| BPZ-MPL80-800   | 688                          | 80                            | 46.5                 | 185                  | 20                   |
| BPZ-MPL80-1000  | 888                          | 80                            | 44                   | 185                  | 20                   |
| BPZ-MPL180-400  | 288                          | 180                           | 49                   | 190                  | 20                   |
| BPZ-MPL180-600  | 488                          | 180                           | 44                   | 190                  | 20                   |
| BPZ-MPL180-800  | 688                          | 180                           | 46.5                 | 185                  | 20                   |
| BPZ-MPL180-1000 | 888                          | 180                           | 44                   | 185                  | 20                   |



## Mounting Plate, BPZ-NZM

- Used for mounting NZM1-3 circuit breakers
- Material  
Front plate: Sheet steel, powder-coated, RAL 7035  
Mounting plate: Sheet steel, galvanised
- Metal front plates with a contact to the enclosure
- Scope of delivery: 1 Mounting plate, 1 front plate, fixing material
- Dimensions (mm)

|                    | Front plate                  |                               | Mounting plate               |                               |                      |                      |                      |
|--------------------|------------------------------|-------------------------------|------------------------------|-------------------------------|----------------------|----------------------|----------------------|
|                    | <b>A</b><br>Outside<br>width | <b>B</b><br>Outside<br>height | <b>A</b><br>Outside<br>width | <b>B</b><br>Outside<br>height | <b>a</b><br>Distance | <b>b</b><br>Distance | <b>c</b><br>Distance |
| BPZ-NZM1-400-MV    | 320                          | 299                           | 292                          | 179                           | 174                  | 61                   | 89.5                 |
| BPZ-NZM2-400-MV    | 320                          | 399                           | 292                          | 179                           | 230                  | 33                   | 54.5                 |
| BPZ-NZM3-400-MV    | 320                          | 499                           | 292                          | 279                           | 244                  | 26                   | 37                   |
| BPZ-NZM1-600-MV    | 520                          | 299                           | 492                          | 179                           | 174                  | 161                  | 89.5                 |
| BPZ-NZM2-600-MV    | 520                          | 399                           | 492                          | 179                           | 230                  | 133                  | 54.5                 |
| BPZ-NZM3-600-MV    | 520                          | 499                           | 492                          | 279                           | 244                  | 126                  | 37                   |
| BPZ-NZM1-800-MV    | 720                          | 299                           | 692                          | 179                           | 174                  | 261                  | 89.5                 |
| BPZ-NZM2-800-MV    | 720                          | 399                           | 692                          | 179                           | 230                  | 233                  | 54.5                 |
| BPZ-NZM3-800-MV    | 720                          | 499                           | 692                          | 279                           | 244                  | 226                  | 37                   |
| BPZ-NZM1-600-MH    | 520                          | 249                           | 492                          | 179                           | 174                  | 161                  | 89.5                 |
| BPZ-NZM2-600-MH    | 520                          | 299                           | 492                          | 179                           | 230                  | 133                  | 54.5                 |
| BPZ-NZM1-800-MH    | 720                          | 249                           | 692                          | 179                           | 174                  | 261                  | 89.5                 |
| BPZ-NZM2-800-MH    | 720                          | 299                           | 692                          | 179                           | 230                  | 233                  | 54.5                 |
| BPZ-NZM1-400-MV-RH | 320                          | 299                           | 292                          | 179                           | 174                  | 61                   | 54.5                 |
| BPZ-NZM2-400-MV-RH | 320                          | 399                           | 292                          | 179                           | 230                  | 33                   | 19.5                 |
| BPZ-NZM3-400-MV-RH | 320                          | 499                           | 292                          | 279                           | 244                  | 26                   | 0                    |
| BPZ-NZM1-600-MV-RH | 520                          | 299                           | 492                          | 179                           | 174                  | 161                  | 54.5                 |
| BPZ-NZM2-600-MV-RH | 520                          | 399                           | 492                          | 179                           | 230                  | 133                  | 19.5                 |
| BPZ-NZM1-800-MV-RH | 720                          | 299                           | 692                          | 179                           | 174                  | 261                  | 54.5                 |
| BPZ-NZM2-800-MV-RH | 720                          | 399                           | 692                          | 179                           | 230                  | 233                  | 19.5                 |
| BPZ-NZM1-600-MH-RH | 520                          | 249                           | 492                          | 179                           | 174                  | 161                  | 54.5                 |
| BPZ-NZM2-600-MH-RH | 520                          | 299                           | 492                          | 179                           | 230                  | 133                  | 19.5                 |
| BPZ-NZM1-800-MH-RH | 720                          | 249                           | 692                          | 179                           | 174                  | 261                  | 54.5                 |
| BPZ-NZM2-800-MH-RH | 720                          | 299                           | 692                          | 179                           | 230                  | 233                  | 19.5                 |



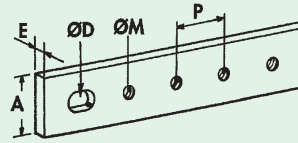
# xEnergy Switchboard Accessories

## Busbar with Thread, BPZ-BB/T

- Dimensions (mm)

|                     | A  | E  | P    | ØD    | ØM | Rated Current (A)<br>(Busbar temperature 65°C) |
|---------------------|----|----|------|-------|----|--|
| BPZ-BB/T-15/5/1000  | 15 | 5  | 25   | 8x12  | M6 | 218  |
| BPZ-BB/T-20/5/1000  | 20 | 5  | 25   | 10x14 | M6 | 274  |
| BPZ-BB/T-32/5/1000  | 32 | 5  | 25   | 12x16 | M6 | 400  |
| BPZ-BB/T-15/5/2000  | 15 | 5  | 17.5 | 8x12  | M6 | 218  |
| BPZ-BB/T-20/5/2000  | 20 | 5  | 25   | 10x14 | M6 | 274  |
| BPZ-BB/T-20/10/1000 | 20 | 10 | 25   | 10    | M8 | 427  |
| BPZ-BB/T-30/10/1000 | 30 | 10 | 25   | 10    | M8 | 573  |

- Scope of delivery: 1 Busbar



## Protective Cover, BPZ-BBS/PC-1000/250/3

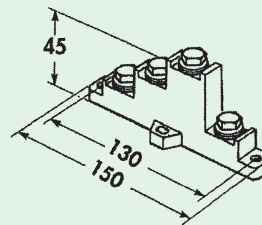
- Used for covering and protecting areas in use
- Material: PVC
- Dimensions (mm): 1000 x 250 x 3 (WxHxL)
- Scope of delivery: 1 Protective cover

## 4-Pole Busbar Support, BPZ-BBS-4

### BPZ-BBS-4/400

- Rated current 160-400 A
- For busbars with threads M6, 15 x 5 and 20 x 5 mm
- Compact design
- Holes for fixing it with M6 bolts
- Allows for additional fixing of protective covers
- Halogen free (NFF 16-101-F2)
- Max. distance between the busbar supports in mm, with one busbar per phase

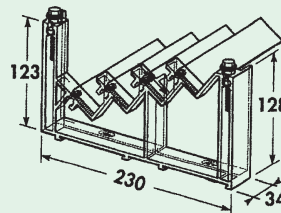
|                |     |     |     |
|----------------|-----|-----|-----|
| IPK kA         | 11  | 14  | 24  |
| Icc rms kA, 1s | 6.5 | 8   | 12  |
| 15 x 5         | 550 | 447 | 253 |
| 20 x 5         | 635 | 516 | 261 |



### BPZ-BBS-4/630

- Rated current 160-630 A
- For solid rails featuring dimensions of 15 x 5, 20 x 5, 32 x 5, 20 x 10, 30 x 10 mm
- Easy to mount on a DIN-rail or on a mounting plate
- Allows for contact protection through a height-adjustable plastic element
- Halogen free (NFF 16-101-F2)
- Max. distance between the busbar supports in mm, with one busbar per phase

|                |      |      |     |     |
|----------------|------|------|-----|-----|
| IPK kA         | 11   | 14   | 24  | 48  |
| Icc rms kA, 1s | 6.5  | 8    | 12  | 23  |
| 15 x 5         | 696  | 565  | 320 | 102 |
| 20 x 5         | 804  | 653  | 370 | 102 |
| 32 x 5         | 1000 | 826  | 418 | 102 |
| 20 x 10        | 1000 | 1000 | 418 | 102 |
| 30 x 10        | 1000 | 1000 | 418 | 102 |



## Mounting Element for 4-Pole Busbar Support 630 A, BPZ-BR/BBS630/V

- For vertical mounting of the BPZ-BBS-4/630/V 4-pole busbar support to the bottom plate profiles of a 400 mm wide enclosure
- Material: Sheet steel, galvanised
- Scope of delivery: 2 Mounting elements, fixing material





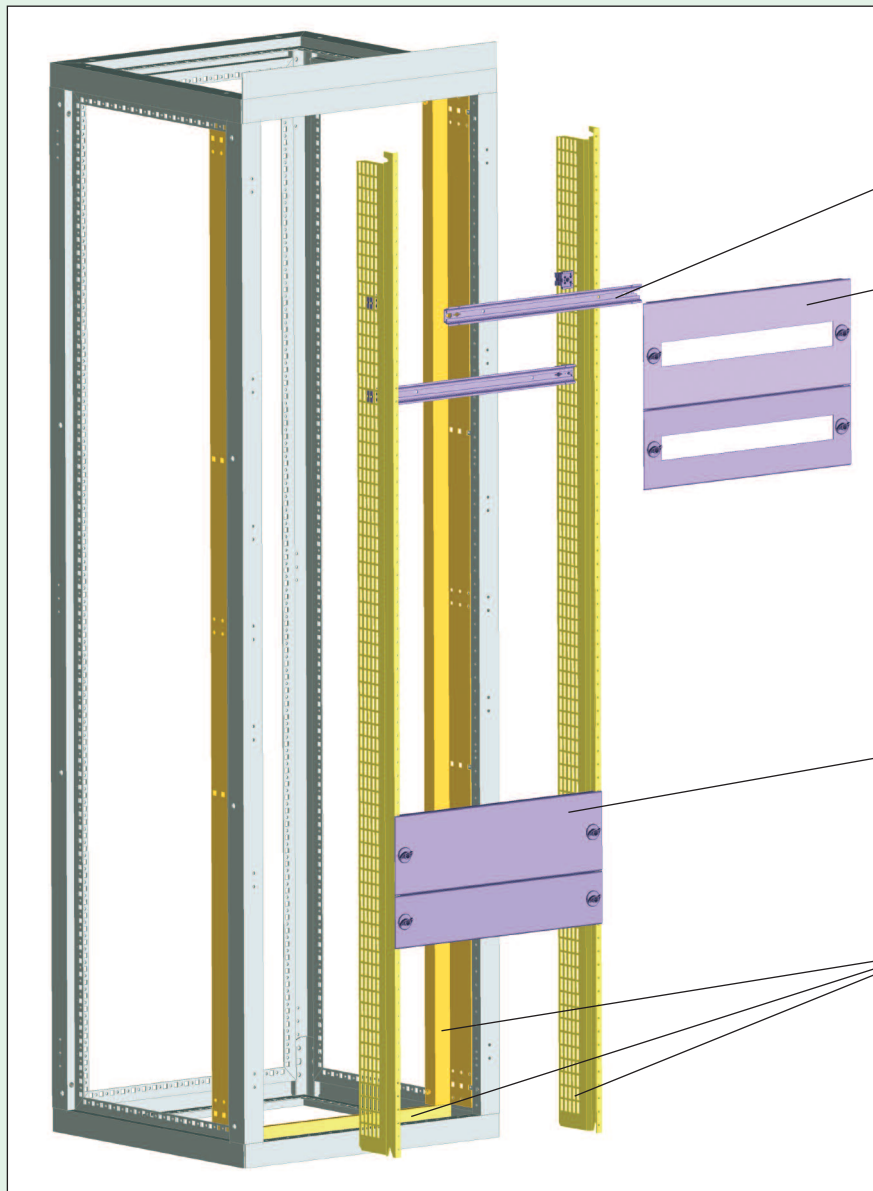
# xEnergy Switchboard Accessories

## Withdrawable Mounting Frame for XBoard+ Installation Outgoers

### Features:

- Degree of protection IP30
- Incl. cover frame
- To be operated from outside (without a door to the switchgear area) or from behind the door to the switchgear area
- Both mounting frame and mounting kits are depth-adjustable
- Swing-type mounting frame; preassembly and wiring of the mounting kits can be done outside the relevant section.
- EN 60439-3

### XSMEH



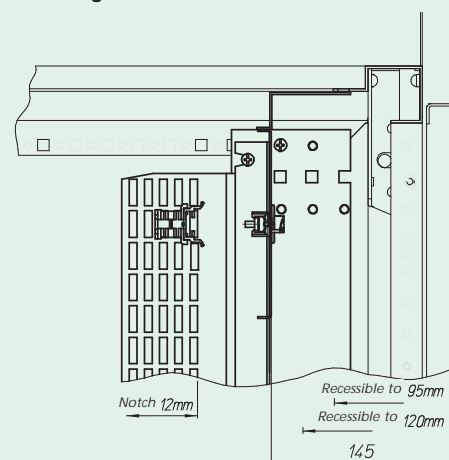
DIN-rails  
XMMH06M

Front plates with a 45 mm cut-out  
XMMH0606C

Front plates, blind  
XMEH0606C

Withdrawable mounting frame for  
XBoard+ installation outgoers  
XSMEH2006

### Mounting level



### Installation height

| Type designation | Height of section | Module height (mm)<br>(Height of front plates - in mm) |
|------------------|-------------------|--|
| XSMEH06..        | 600               | 600  |
| XSMEH10..        | 1000              | 950  |
| XSMEH14..        | 1400              | 1300   |
| XSMEH20..        | 2000              | 1900   |

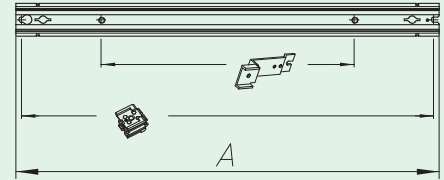
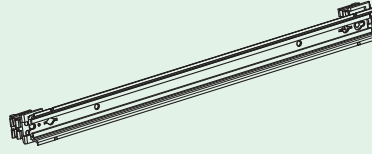
# xEnergy Switchboard Accessories

## Accessories to Fixed Mounting Frames for XBoard+ Installation Outgoers

### DIN-Rail Set, XMMH..M

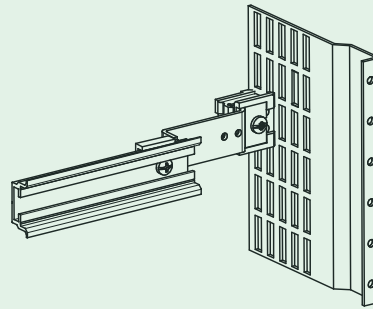
- Used for mounting the switchgear
- Material: Aluminium
- Scope of delivery: 1 DIN-rail
- Dimensions (mm)

| depth   | A       |                |               |
|---------|---------|----------------|---------------|
|         | Outside | Outside height | Outside width |
| XMMH04M | 35      | 277.5          | 15            |
| XMMH06M | 35      | 452.5          | 15            |
| XMMH08M | 35      | 652.5          | 15            |
| XMMH10M | 35      | 852.5          | 15            |



### Cable Duct Angle, KKW

- Used for fixing cable ducts featuring a depth of 60 mm (KKW-DIN) or 80 mm (KKW-40)
- Material: Sheet steel, galvanised
- Scope of delivery: 1 Cable duct angle

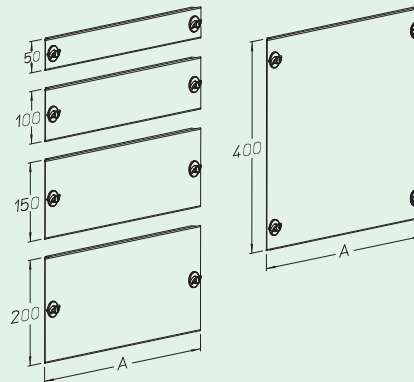


### Front Plates, blind, XMEH...C

- Used for covering spare areas and for protecting areas in use
- Material: Sheet steel, powder-coated, RAL 7035
- Metal front plates with a contact to the enclosure
- Scope of delivery: 1 Front plate

- Dimensions (mm)

|           | A             |
|-----------|---------------|
|           | Outside width |
| XMEH..04C | 311           |
| XMEH..06C | 486           |
| XMEH..08C | 686           |
| XMEH..10C | 886           |

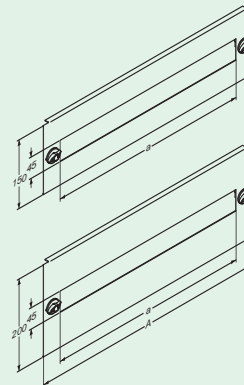


### Front Plates with a 45 mm Cut-out, XMMH...C

- Used for covering switchgear-carrying areas
- Material: Sheet steel, powder-coated, RAL 7035
- Metal front plates with a contact to the enclosure
- Scope of delivery: 1 Front plate

- Dimensions (mm)

|           | A             | a            | MU |
|-----------|---------------|--------------|----|
|           | Outside width | Inside width |    |
| XMMH..04C | 311           | 229          | 12 |
| XMMH..06C | 486           | 404          | 22 |
| XMMH..08C | 686           | 604          | 33 |
| XMMH..10C | 886           | 804          | 34 |

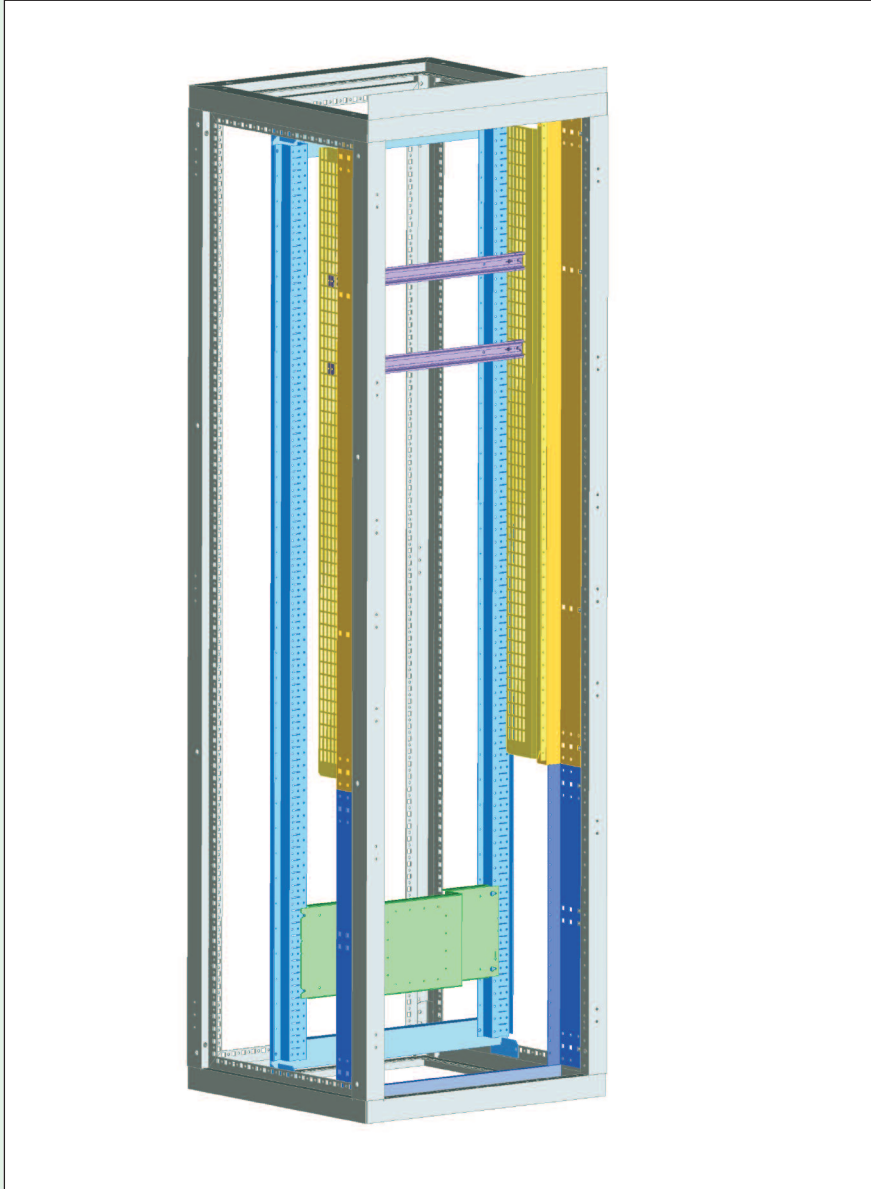


# xEnergy Switchboard Accessories

## Combination of a Fixed and a Withdrawable Mounting Frame for XBoard+ Installation Outgoers

### Features:

- Degree of protection IP30
- Incl. cover frame
- To be operated from outside (without a door to the switchgear area) or from behind the door to the switchgear area
- Both mounting frame and mounting kits are depth-adjustable
- EN 60439-3



### Combination options

| Fixed mounting frame | Withdrawable mounting frame |
|----------------------|-----------------------------|
| 600                  | 1400                        |
| 1000                 | 1000                        |
| 1400                 | 600                         |

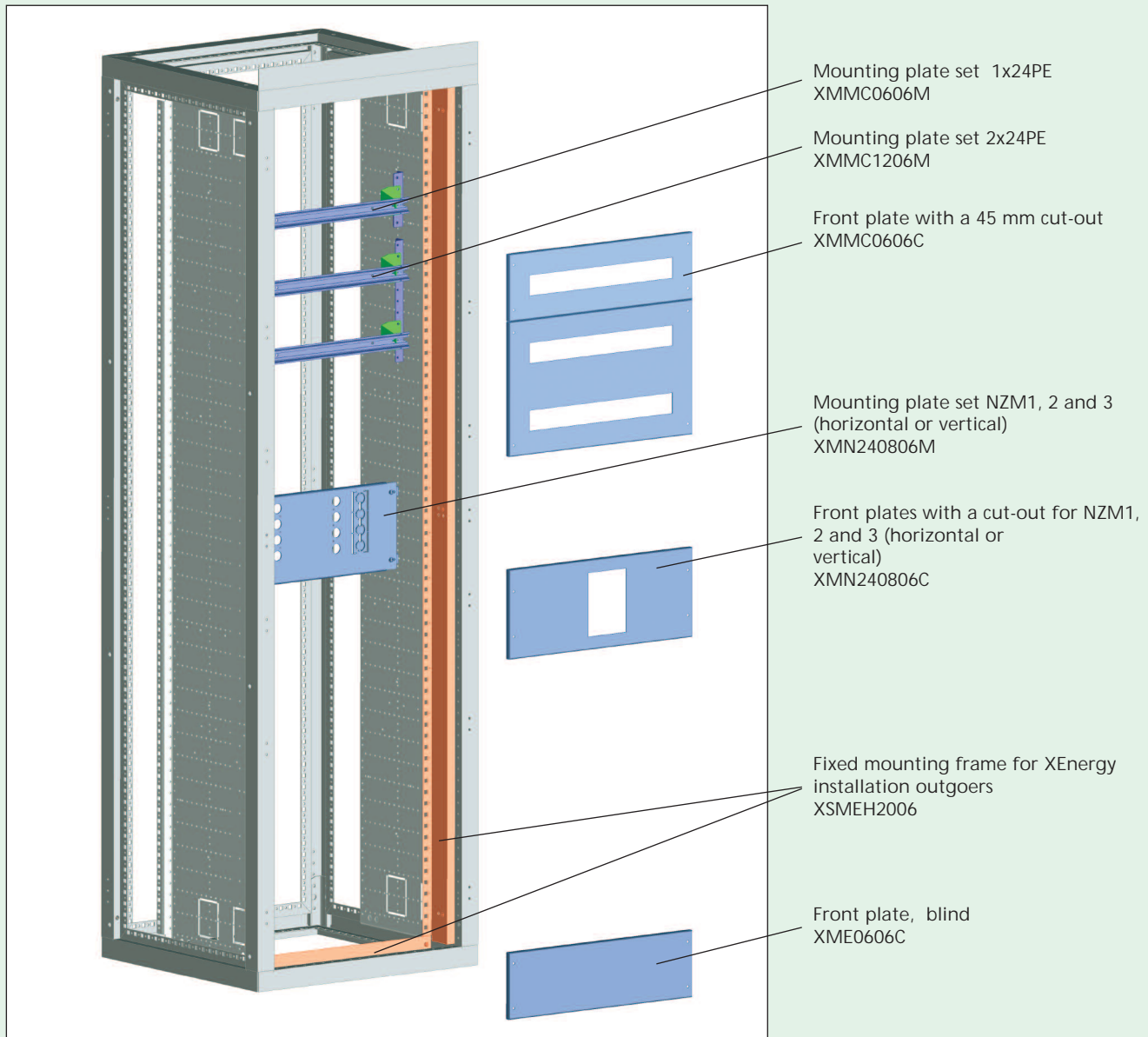
# xEnergy Switchboard Accessories

## Fixed Mounting Frames for XEnergy Installation Outgoers

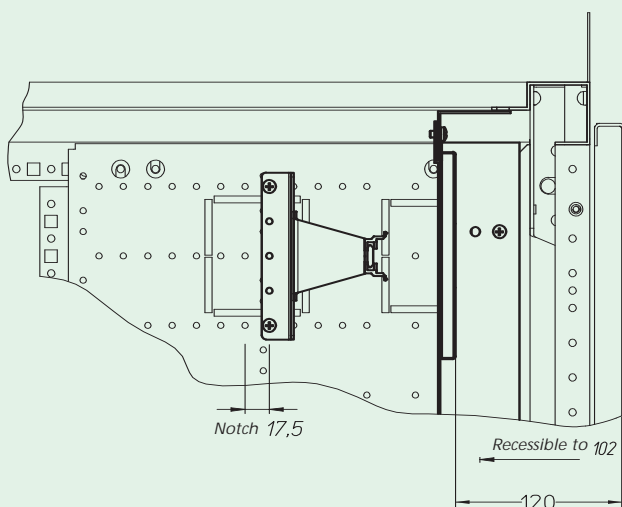
### Features:

- Degree of protection IP31
- Incl. cover frame
- To be operated from outside (without a door to the switchgear area) or from behind the door to the switchgear area
- Both mounting frame and mounting kits are depth-adjustable

### XSMEX



### Mounting level



### Installation height

| Type designation | Height of section | Module height (mm)<br>(Height of front plates - in mm) |
|------------------|-------------------|--|
| XSMEX06..        | 600               | 600  |
| XSMEX20..        | 2000              | 1900   |

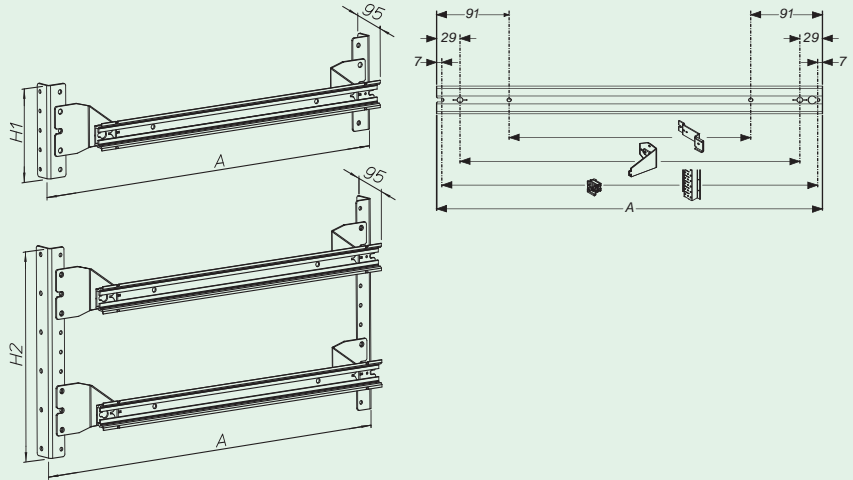
# xEnergy Switchboard Accessories

## Accessories to Fixed Mounting Frames for XEnergy Installation Outgoers

### Mounting Plate, XMMC....M

- Used for mounting the switchgear
- Material: Aluminium
- Scope of delivery: DIN-rail and fastening angles
- Dimensions (mm)

|           | A             | H1             | H2  |
|-----------|---------------|----------------|-----|
|           | Outside width | Outside height |     |
| XMMC0604M | 335           | 120            | -   |
| XMMC0804M | 335           | 170            | -   |
| XMMC1204M | 335           | -              | 270 |
| XMMC1604M | 335           | -              | 370 |
| XMMC0606M | 510           | 120            | -   |
| XMMC0806M | 510           | 170            | -   |
| XMMC1206M | 510           | -              | 270 |
| XMMC1606M | 510           | -              | 370 |
| XMMC0608M | 710           | 120            | -   |
| XMMC0808M | 710           | 170            | -   |
| XMMC0610M | 910           | 120            | -   |
| XMMC0810M | 910           | 170            | -   |

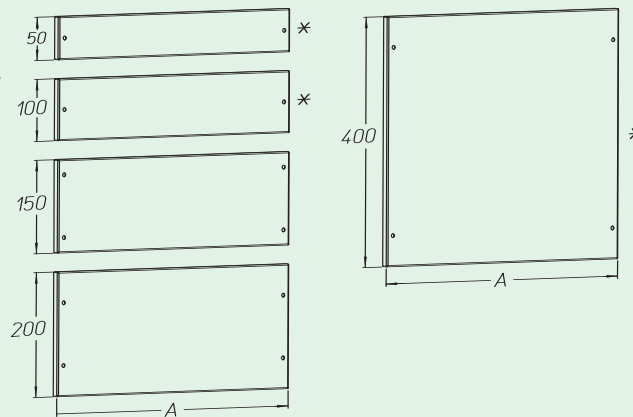


### Front Plates without a Cut-out, XME....C

- Used for covering spare areas and for protecting areas in use
- Material: Sheet steel, powder-coated, RAL 7035
- Scope of delivery: 1 Front plate
- Dimensions (mm)

|          | A             |
|----------|---------------|
|          | Outside width |
| XME..04C | 325           |
| XME..06C | 500           |
| XME..08C | 700           |
| XME..10C | 900           |

\* not available in width 700 and 900

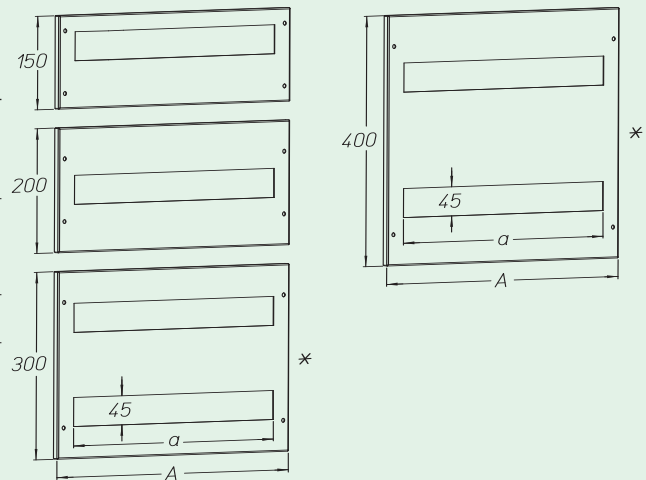


### Front Plate with a 45mm Cut-out, XMMC....C

- For covering switchgear-carrying areas
- Material: Sheet steel, powder-coated, RAL 7035
- Scope of delivery: 1 Front plate
- Dimensions (mm)

|           | A             | H              | a                 | MU   |
|-----------|---------------|----------------|-------------------|------|
|           | Outside width | Outside height | Length of cut-out |      |
| XMMC0604C | 325           | 150            | 1 x 215           | 1x12 |
| XMMC0804C | 325           | 200            | 1 x 215           | 1x12 |
| XMMC1204C | 325           | 300            | 2 x 215           | 2x12 |
| XMMC1604C | 325           | 400            | 2 x 215           | 2x12 |
| XMMC0606C | 500           | 150            | 1 x 432           | 1x24 |
| XMMC0806C | 500           | 200            | 1 x 432           | 1x24 |
| XMMC1206C | 500           | 300            | 2 x 432           | 2x24 |
| XMMC1606C | 500           | 400            | 2 x 432           | 2x24 |
| XMMC0608C | 700           | 150            | 1 x 648           | 1x36 |
| XMMC0808C | 700           | 200            | 1 x 648           | 1x36 |
| XMMC0610C | 900           | 150            | 1 x 764           | 1x48 |
| XMMC0810C | 900           | 200            | 1 x 764           | 1x48 |

\* not available in width 300 and 400



**Moeller  
Eugenia 1  
A-3943 Schrems**

**Tel. +43 (0) 28 53/702-9\*  
Fax: +43 (0) 28 53/702-76509**





**E-Mail: [info@moeller.net](mailto:info@moeller.net)  
Internet: [www.moeller.at](http://www.moeller.at)**

© 2006 by Moeller  
Subject to alteration  
Product Catalogue Installation Mounting Systems  
SK0207-1163 GB (04/06)  
Printed in Austria (04/06)  
Print: Rabl, Schrems  
Article No.: 106776



## **Xclever home**

With Xclever home, Moeller offers the complete electrical installation from one source for a safe and easily controllable building. All Xclever home product groups stand out because of their high safety standards and simple and easy application.

-  Combines all functional and assembly safety advantages. From circuit-breakers and modular installation devices to over-voltage protection.
-  The complete distribution program for safe electrical installations from 63 to 2500 Amps. For houses, blocks of flats or functional buildings.
-  Covers all requirements of operation in buildings. The system opens new business possibilities for new and renovated buildings.
-  A clever, complete range that can be flexibly extended for the installation of future-orientated data networks.

**MOELLER** 

**We keep power under control.**