

Air Preparation Products

Filters, Regulators, Lubricators,
& Airline Accessories

Catalog 0700P-8 *(updated pdf)*



ENGINEERING YOUR SUCCESS.

Distributor Network, Warning, Offer of Sale**DISTRIBUTION NETWORK**

At Parker, we have the largest global distribution network in motion and control, with over 7,500 distributors serving more than 422,000 customers.

To find the distributor nearest you, please visit our DISTRIBUTOR LOCATOR at <http://www.parker.com/pneu/distributor>



ENGINEERING YOUR SUCCESS.

⚠ WARNING

FAILURE OR IMPROPER SELECTION OR IMPROPER USE OF THE PRODUCTS AND/OR SYSTEMS DESCRIBED HEREIN OR RELATED ITEMS CAN CAUSE DEATH, PERSONAL INJURY AND PROPERTY DAMAGE.

This document and other information from Parker Hannifin Corporation, its subsidiaries and authorized distributors provide product and/or system options for further investigation by users having technical expertise. It is important that you analyze all aspects of your application including consequences of any failure, and review the information concerning the product or system in the current product catalog. Due to the variety of operating conditions and applications for these products or systems, the user, through its own analysis and testing, is solely responsible for making the final selection of the products and systems and assuring that all performance, safety and warning requirements of the application are met.

The products described herein, including without limitation, product features, specifications, designs, availability and pricing, are subject to change by Parker Hannifin Corporation and its subsidiaries at any time without notice.

Offer of Sale

The items described in this document are hereby offered for sale by Parker Hannifin Corporation, its subsidiaries or its authorized distributors. This offer and its acceptance are governed by the provisions stated on the separate page of this document entitled "Offer of Sale".



| | | |
|---|---|----------|
| Product Index, Product Selection Guide, Engineering Data | | A |
| Global Air Preparation | <i>P31, P32, P33 Series and Accessories</i> | B |
| P3Y Products | <i>P3Y Series and Accessories</i> | C |
| 14 Series Products | <i>14 Series and Accessories</i> | D |
| Prep Air® II Products | <i>05, 06, 07 Series and Accessories</i> | E |
| Stainless Steel Products | <i>Stainless Steel and Accessories</i> | F |
| P3N Products | <i>P3N Series and Accessories</i> | G |
| General Industrial Products | <i>F602 Series, 35F / 43 Series, F701 Series, P3TF Coalescing Series, R119 Series, 09 Series, L606 Series</i> | H |
| Miniature / Inline Products | <i>P31 Series, 02 Series, 14 Series, 05 Series, P3A-R Series, R34 Series, R25 Series, R45 Series, 27 Series</i> | J |
| Regulator Products | <i>General Regulators, Dial Regulators, Pilot Regulators, Proportional Regulators, Semi & Precision Regulators, Water Regulators</i> | K |
| Bulk Liquid Separators | <i>P3TF Series</i> | L |
| Dryer Products | <i>Refrigeration Dryers, Desiccant Dryers</i> | M |
| Airline Accessories | <i>Drains, Lockout Valves, Mufflers, AirGuard Protection System</i> | N |
| Part Number Index, Safety Guide, Offer of Sale | | O |



A

Air Preparation Units

Product Index
 Engineering Data

Global FRL's



- Port size: 1/4 through 3/4 inch
- Maximum supply pressure: 300 psig
- Operating temperature: -13°F through 150°F
- Filters, regulators, filter / regulators, lubricators and accessories
- Modular construction

B2

P3N Series FRL's



- Port size: 3/4 through 1-1/2 inch
- Maximum supply pressure: 250 psig
- Operating temperature: 32°F through 175°F
- High flow
- Filters, regulators, filter / regulators, lubricators and accessories

G2

Product Index

P3Y FRL's



- Port size: 3/4 through 1-1/2 inch
- Maximum supply pressure: 250 psig
- Operating temperature: -40°F through 140°F
- Filters, regulators, filter / regulators, lubricators and accessories
- Modular construction

C2

General Industrial FRL's



- Port size: 1/4 through 6 inch flange
- Maximum supply pressure: 300 psig
- Operating temperature: 32°F through 212°F
- Filters, regulators, filter / regulators, lubricators and accessories

H2

Product Selection Guide

14 Series FRL's



- Port size: 1/8 through 1/4 inch
- Operating temperature: -4°F through 175°F
- Maximum supply pressure: 300 psig
- Non-modular construction
- Ideal for OEM applications
- Filters, regulators, filter / regulators, and lubricators

D2

Miniature / Inline FRL's



- Port size: 1/8 through 3/8 inch
- Operating temperature: -4°F through 175°F
- Non-modular construction
- Ideal for point of use applications
- Filters, regulators, filter / regulators, lubricators and accessories

J2

Engineering Data

Prep-Air II FRL's



- Compact & standard
- Port size: 1/4 through 3/4 inch
- Maximum supply pressure: 300 psig
- Operating temperature: -4°F through 175°F
- Point of use applications
- Modular construction
- Filters, regulators, filter / regulators, lubricators and accessories

E2

Regulator Products



- Port sizes: 1/8 through 2 inch
- Maximum supply pressure: 300 psig
- Operating temperature: -40°F through 200°F
- Precision
- Electronic proportional
- General Regulators
- Water Regulators

K2

Stainless Steel FRL's



- Port sizes: 1/4 and 1/2 inch
- Stainless steel construction handles most corrosive environments
- Maximum supply pressure: 300 psig
- Operating temperature -40°F through 180°F
- Meets NACE specifications MR-01-75/ISO 15156
- Filters, regulators, filter / regulators, and lubricators

F2

Liquid Separators




- Port sizes 1/4 through 6 inch flange
- Designed in accordance with ASME
- Maximum supply pressure: 232 psig
- Operating temperature: 35°F through 175°F
- High liquid removal efficiencies at all flow conditions
- Low maintenance
- Suitable for variable flow compressors

L2



Air Preparation Units

Dryer Products




- Refrigeration (10-2400 scfm)
- Inline desiccant (15-60 scfm)
- Heatless desiccant dryers (40-800 scfm)

M2

Accessories

Airline Accessories



- Zero loss & timer drains
- Drains cocks
- Lockout valves
- AirGuard
- Mufflers

N2

Part Number Index, Safety Guides, Offer of Sale

- Part Number to Page Number Index
- Safety Guide
- Offer of Sale

O2

| |
|-----------------------------------|
| A |
| Product Index Engineering Data |
| Product Index |
| Product Selection Guide |
| Engineering Data |

PNEUMATIC DIVISION E-TOOLS

Pneumatic Division Part Lookup Tool

Part Lookup Tool Overview

The purpose of this application is to provide users with more in depth detail, such as replacement kits or current inventory for specific pneumatic part numbers. The tool also provides cross reference information for products that have been previously obsoleted. Searches can be made by searching a portion or all of a part number. Use the drop down options available to narrow your search.



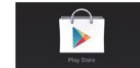
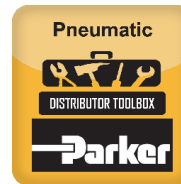
Part Lookup Tool Contents

- Replacement KITS by part number
- Bulk part search
- Obsolete cross reference
- Shipping location
- Inventory/stock levels
- Lead time
- Pricing (with distributor login only)

How to access the Tool

U.S. Parker Pneumatic Distributors

- www.pdnpartlookup.com
- Or download the “Distributor Toolbox” app



Guest Users

- www.pdnplu.com

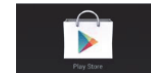
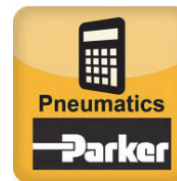
Pneumatic Division Size & Selection Calculators

Size, Selection and Cost of Air Calculators Overview

The purpose of this application is to provide users and designers of pneumatic systems with a handy collection of compressed air cost calculators, conversion tools and air valve (Cv) and flow (SCFM) calculations for air cylinder actuation. The size and select calculators are available to anyone for use. See details below.

How to access the Tool

- www.parkerpdncalc.com
- Or download the “Pneumatics” calculator app



Calculator Contents

- Cost calculator for leaks
- Cost calculator for compressors
- Cost calculator for reverse flow regulators
- Vacuum flow through an orifice
- Air flow through an orifice
- Annual cost of air cylinder operation
- Valve/FRL sizing for cylinder actuation
- And more!

The Parker 5-Year Extended Warranty

Parker Hannifin Corporation will extend its warranty on all pneumatic components to sixty (60) months providing they are correctly installed and protected by Parker pneumatic filters which are properly maintained. Components covered by this warranty include all cylinders, valves, and pneumatic automation components manufactured by Parker in any of our global facilities. This warranty covers our components anywhere in the world you may ship your equipment.

Parker's obligation under this warranty is limited to the replacement or repair of any failed components. The buyer understands that the seller will not be liable for any other costs or damages.

The buyers of quality Parker components and filters benefit by having ONE source for all pneumatic needs - **Parker**.



Jennifer Parmentier
President
Motion Systems Group



A

Product Index
Engineering Data

Product
Index

Product
Selection Guide

Engineering
Data



A

Product Index
 Engineering Data

Product Index

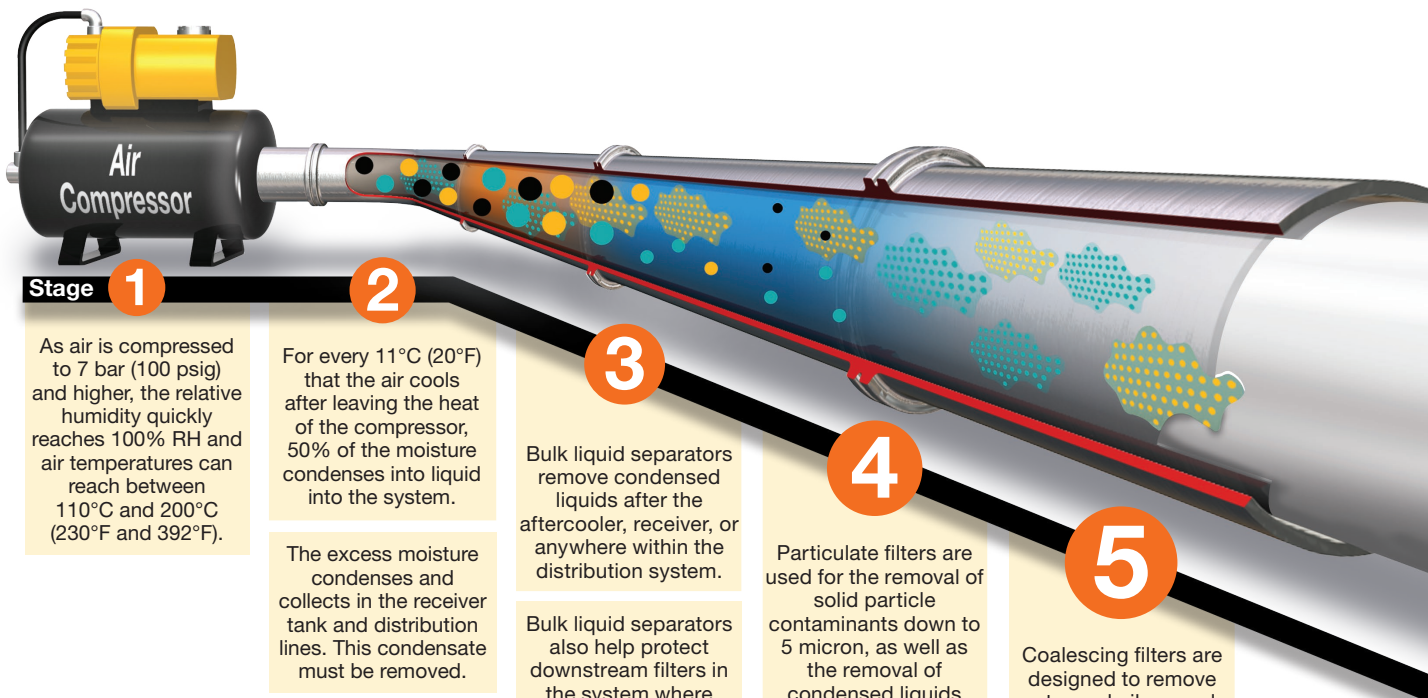
Product Selection Guide

Engineering Data

Together we can power your application with clean, dry air

Fast cycle times, high product quality, and low downtime all require a clean, dry pneumatic system to function properly. Parker has what it takes to make sure pneumatic systems perform at their best.

Clean, dry pneumatic systems with Parker Global Air Preparation



Stage 1

As air is compressed to 7 bar (100 psig) and higher, the relative humidity quickly reaches 100% RH and air temperatures can reach between 110°C and 200°C (230°F and 392°F).

2

For every 11°C (20°F) that the air cools after leaving the heat of the compressor, 50% of the moisture condenses into liquid into the system.

The excess moisture condenses and collects in the receiver tank and distribution lines. This condensate must be removed.

3

Bulk liquid separators remove condensed liquids after the aftercooler, receiver, or anywhere within the distribution system.

Bulk liquid separators also help protect downstream filters in the system where excess cooling takes place.

4

Particulate filters are used for the removal of solid particle contaminants down to 5 micron, as well as the removal of condensed liquids

Note: Water and oil, in vapor form, pass through general purpose particulate filters.

This type of filter should be used as a prefilter for the coalescing (oil removal) filter.

5

Coalescing filters are designed to remove water and oil aerosols (not vapor) and particulate from air streams down to 0.01 micron in size.

Installed in pairs, Particulate and Coalescing filters ensure a continuous supply of high quality air.







Key

- Particulate
- Oil
- Water
- Oil Vapor
- Water Vapor



For inventory, lead times, and kit lookup, visit www.pdnplu.com

Parker Pneumatic

| | | | | | | |
|---|---|--|---|---|---|---|
| |  |  |  |  |  |  |
| Stages | 1 2 | 3 | 4 | 5 | 6 | 7 |
| Function | Air Compressor | Bulk Liquid Removal | Particulate Filtration | Coalescing Filtration | Air Dryers | Hydrocarbon Removal |
| Application | All pneumatic systems | Basic pneumatic systems | Basic pneumatic systems | Systems requiring highest quality air. | Systems requiring air with reduced moisture content | Systems requiring highest quality air for critical applications |
| Description | Air leaving the compressor room at 93°C (200°F) releases 95% of its moisture into the piping system when it cools to 38°C (100°F) | Removes bulk liquid contamination and protects filters where excess cooling takes place in the distribution piping | Removes solid particulates down to 5 micron, and the separation of bulk contaminants. | Removes liquid aerosols and submicron particulates (not vapor) down to 0.01 micron. | Removes water vapor from air stream. Dew point reduced down to 4°C (40°F) (refrigeration) or -40°C (-40°F) (desiccant). | Removal of odors and trace vapors for critical applications. |
| Parker Global Air Preparation Solution | Customer supplied | P3TF Bulk Liquid Separator | P31, P32, P33 Particulate Filter | P31, P32, P33 Coalescing Filter | Refrigeration Dryer, TW Regenerative Desiccant Dryer | P31, P32, P33 Activated Carbon (Adsorber) Filter |

A

Product Index
Engineering Data

Product Index

Product Selection Guide

Engineering Data

Clean Dry Air

6

Refrigeration and desiccant dryers lower the air's dew point by removing water vapor, providing appropriately dry air for the downstream application.

7

Hydrocarbon and oil vapors are removed using filters utilizing activated carbon.

Airborne hydrocarbons are often left over from the compressor oils.



For inventory, lead times, and kit lookup, visit www.pdnplu.com

A

Product Index
Engineering Data



For inventory, lead times, and kit lookup, visit www.pdnplu.com

Pneumatic Air Preparation Products
Engineering Data

Engineering Data

| | |
|---------------------------------|---------|
| Product Selection Guide | A2-A7 |
| Engineering Selection Guide | A8 |
| Fluid Power Graphic Symbols | A9 |
| Product Information | A10 |
| Particulate Filters Information | A11 |
| Coalescing Filter Information | A12-A14 |
| Regulator Information | A15 |
| Filter / Regulator Information | A16 |
| Lubricators Information | A17-A18 |
| Dial Regulators | A19 |
| Precision Regulators | A20-A22 |
| Lockout Valves | A23 |
| Dryers | A24-A26 |

A

Product Index
Engineering Data



For inventory, lead times, and kit lookup, visit www.pdnplu.com

Product Selection Chart

A

Product Index
 Engineering Data

Product Index

Product Selection Guide

Engineering Data

| Basic Unit | Series | Port Size (inch) | | | | | | | | | | | | | Bowls | | | Bowl Capacity | Element Type | | | Page | |
|---------------------|--------|------------------|-----|-----|-----|-----|---|-------|-------|---|-------|---|----------|----------|-------|-------|-----------------|---------------|--------------------------|------|----------|------|-----|
| | | 1/8 | 1/4 | 3/8 | 1/2 | 3/4 | 1 | 1-1/4 | 1-1/2 | 2 | 2-1/2 | 3 | 4 flange | 6 flange | Poly | Metal | Metal SG | | 5 | 40 | Adsorber | | |
| SEPERATORS WATER | P3TF | | • | • | • | • | • | | | | | | | | | | Aluminum Body | — | Bulk Liquid Separator | | | L2 | |
| | P3TF | | | | | | | | | | | | • | • | | | Steel Housing | — | Bulk Liquid Separator | | | L5 | |
| FILTERS | 02F | | • | | | | | | | | | | | | | | Aluminum Body | — | Std. | — | — | J2 | |
| | P31F | | • | | | | | | | | | | | | | • | • | — | .4 oz. | Std. | — | — | B8 |
| | PF504 | | • | | | | | | | | | | | | | | Stainless Steel | 1.0 oz | Opt. | Std. | — | F2 | |
| | 14F | • | • | | | | | | | | | | | | | • | • | — | 1 oz. | Std. | Opt. | Opt. | D2 |
| | 05F | | • | • | | | | | | | | | | | | • | — | — | 2 oz. | — | Std. | — | E2 |
| | P32F | | • | • | • | | | | | | | | | | | • | • | • | 1.7 oz. | Std. | — | — | B10 |
| | 06F | | • | • | • | | | | | | | | | | | • | • | • | 4.4 oz. | Opt. | Std. | — | E4 |
| | 07F | | | | • | • | | | | | | | | | | • | • | • | 7.2 oz. | Opt. | Std. | — | E6 |
| | P33F | | | | • | • | | | | | | | | | | • | • | • | 2.8 oz. | Std. | — | — | B12 |
| | PF10 | | | | • | | | | | | | | | | | | Stainless Steel | 4.0 oz. | Opt. | — | — | F4 | |
| | P3Y | | | | | • | • | | | | | | | | | • | — | — | 4.4 oz. | Std. | — | — | C4 |
| | P3NF | | | | | • | • | | | | • | | | | | — | — | • | 18 oz. | — | Std. | — | G2 |
| | F602 | | | | | • | • | | | | • | • | | | | — | • | • | 16 oz. (W) 32 oz. (E) | Opt. | Std. | — | H2 |
| | 35F | | | | | | | | | | • | • | | | | — | • | — | 13.9 oz. | Std. | — | — | H8 |
| 43F | | | | | | | | | | | | • | | | — | • | — | 17.2 oz. | Std. | — | — | H8 | |



For inventory, lead times, and kit lookup, visit www.pdnplu.com

Product Selection Chart

| Basic Unit | Series | Port Size (inch) | | | | | | | | | | | | Bowls | | | Bowl Capacity | Element Type | | | Page | |
|---|--------|------------------|-----|-----|-----|-----|---|-------|-------|---|-------|---|----------|----------|-----------------|-------|---------------|---------------------------|------|------|------|----------|
| | | 1/8 | 1/4 | 3/8 | 1/2 | 3/4 | 1 | 1-1/4 | 1-1/2 | 2 | 2-1/2 | 3 | 4 flange | 6 flange | Poly | Metal | | Metal SG | 0.01 | 1.0 | | Adsorber |
| C O A L E S C I N G F I L T E R S | 02F | | ● | | | | | | | | | | | | Nylon Housing | | | — | Std. | Opt. | | J8 |
| | P31F | | ● | | | | | | | | | | | | ● | ● | — | .4 oz. | Std. | Opt. | Opt. | B14 |
| | PF501 | | ● | | | | | | | | | | | | Stainless Steel | | | 1.0 oz. | Std. | — | — | F6 |
| | 10F | ● | ● | | | | | | | | | | | | ● | ● | — | 1 oz. | Std. | Opt. | — | D4 |
| | 15F | | ● | ● | | | | | | | | | | | ● | — | — | 2 oz. | Std. | — | — | E8 |
| | P32F | | ● | ● | ● | | | | | | | | | | ● | ● | ● | 1.7 oz. | Std. | Opt. | — | B16 |
| | 11F | | ● | ● | ● | | | | | | | | | | ● | ● | ● | 4.4 oz. | Std. | Opt. | — | E10 |
| | 12F | | | | | ● | ● | | | | | | | | ● | ● | ● | 7.2 oz. | Std. | Opt. | — | E12 |
| | P33F | | | | | ● | ● | | | | | | | | ● | ● | ● | 2.8 oz. | Std. | — | Opt. | B18 |
| | PF11 | | | | | ● | | | | | | | | | Stainless Steel | | | 4.0 oz. | Std. | — | — | F8 |
| | P3Y | | | | | ● | ● | | | | | | | | ● | | | 4.4 oz. | Std. | — | — | C6 |
| | P3NF | | | | | ● | ● | | ● | | | | | | — | — | ● | 18 oz. | Std. | — | — | G4 |
| | F701 | | | | | ● | ● | | | | | | | | — | ● | ● | 32 oz. (E) 100 oz. (L) | Std. | Opt. | — | H12 |
| | 35F | | | | | | | | | ● | ● | | | | — | ● | — | 13.9 oz. | Std. | Opt. | — | H10 |
| | 43F | | | | | | | | | | | | ● | | — | ● | — | 17.2 oz. | Std. | Opt. | — | H10 |
| P3TF | | | | | | | | | | | | ● | ● | — | ● | — | — | Std. | Opt. | — | H14 | |

A

Product Index
Engineering Data

Product Index

Product Selection Guide

Engineering Data



For inventory, lead times, and kit lookup, visit www.pdnplu.com

Product Selection Chart

A
 Product Index
 Engineering Data
 Product Index
 Selection Guide
 Engineering Data

| Basic Unit | Series | Port Size | | | | | | | | | | Spring Range | | | | | | | | | | | | | | | Page | | | | | | | |
|------------|--------|-----------|-----|-----|-----|-----|---|-------|-------|---|-------|--------------|----|----|----|------|------|------|------|-----|------|------|-----|------|------|-----|------|-----|-----|------|-----|----------|---------|---------|
| | | 1/8 | 1/4 | 3/8 | 1/2 | 3/4 | 1 | 1-1/4 | 1-1/2 | 2 | 2-1/2 | 8 | 15 | 20 | 25 | 30 | 40 | 50 | 60 | 100 | 120 | 125 | 140 | 150 | 160 | 175 | | 200 | 232 | 250 | | | | |
| STANDARD | P31R | | • | | | | | | | | | | | | — | — | — | — | Opt. | — | — | Opt. | — | — | Std. | — | — | — | — | — | — | Opt. | — | B20-B23 |
| | 14R | • | • | | | | | | | | | | | | — | Opt. | — | — | Opt. | — | — | Opt. | — | — | Std. | — | — | — | — | — | — | — | D6 | |
| | P3A-R | • | • | | | | | | | | | | | | — | Opt. | — | — | Opt. | — | — | Opt. | — | Std. | — | — | — | — | — | — | — | J20 | | |
| | R34 | • | • | | | | | | | | | | | | — | — | — | — | Opt. | — | — | Opt. | — | — | Std. | — | — | — | — | — | — | J22 | | |
| | R25 | • | • | | | | | | | | | | | | — | — | — | Opt. | — | — | — | Opt. | — | — | Std. | — | — | — | — | — | — | J24, K8 | | |
| | R45 | | • | • | | | | | | | | | | | — | — | — | Opt. | — | — | — | Opt. | — | — | Std. | — | — | — | — | — | — | J26, K10 | | |
| | 15R | | • | • | | | | | | | | | | | — | Opt. | — | — | Opt. | — | — | Opt. | — | — | Std. | — | — | — | — | — | — | J28 | | |
| | 05R | | • | • | | | | | | | | | | | — | — | — | — | Opt. | — | — | Std. | — | — | Std. | — | — | — | — | Opt. | — | E14 | | |
| | P32R | | • | • | • | | | | | | | | | | — | — | — | — | Opt. | — | — | Opt. | — | — | Std. | — | — | — | — | — | — | Opt. | B24-B27 | |
| | 06R | | • | • | • | | | | | | | | | | — | — | — | — | — | — | — | Std. | — | — | Std. | — | — | — | — | — | — | Opt. | E16 | |
| | P33R | | | | • | • | | | | | | | | | — | — | — | — | Opt. | — | — | Opt. | — | — | Std. | — | — | — | — | — | — | Opt. | B30 | |
| | P3Y | | | | | • | • | | | | | | | | — | — | — | — | — | — | — | — | — | — | — | — | — | — | — | Std. | — | Opt. | C8 | |
| | 07R | | | | • | • | | | | | | | | | — | — | — | — | — | — | — | — | — | — | Std. | — | — | — | — | — | — | Opt. | E18 | |
| | P3NR | | | | | • | • | | • | | | | | | — | — | — | — | — | — | — | — | — | — | Std. | — | — | — | — | — | — | Opt. | G6 | |
| | R119 | | • | • | • | • | • | | • | | | | | | — | — | — | Opt. | — | — | — | Opt. | — | — | Std. | — | — | — | — | — | — | Opt. | H16-H19 | |
| | 09R | | | | | | | | | • | | | | | — | — | — | — | — | — | — | — | — | — | Std. | — | — | — | — | — | — | — | H26 | |
| | PILOT | 11R | | • | • | • | | | | | | | | | * | * | * | * | * | * | * | * | * | * | * | * | * | * | * | * | * | * | * | E20 |
| | | 12R | | | | • | • | | | | | | | | * | * | * | * | * | * | * | * | * | * | * | * | * | * | * | * | * | * | * | E22 |
| P3Y | | | | | | • | • | | | | | | | * | * | * | * | * | * | * | * | * | * | * | * | * | * | * | * | * | * | * | C10 | |
| P3NR | | | | | | • | • | | • | | | | | * | * | * | * | * | * | * | * | * | * | * | * | * | * | * | * | * | * | * | G8 | |
| R119 | | | • | • | • | • | • | | • | • | • | | | * | * | * | * | * | * | * | * | * | * | * | * | * | * | * | * | * | * | * | H20-H25 | |
| STAINLESS | PR354 | | • | | | | | | | | | | | — | — | — | Opt. | — | — | — | Opt. | — | — | Std. | — | — | — | — | — | — | — | F10 | | |
| | PR364 | | • | | | | | | | | | | | — | — | — | Opt. | — | — | — | Opt. | — | — | Std. | — | — | — | — | — | — | — | F10 | | |
| | PR10 | | | | • | | | | | | | | | — | — | — | — | — | — | — | — | — | — | Opt. | — | — | — | — | — | Opt. | F12 | | | |
| | PR11 | | | | • | | | | | | | | | — | — | — | — | — | — | — | — | — | — | Opt. | — | — | — | — | — | Opt. | F12 | | | |

* Will follow Pilot Regulator setting.



For inventory, lead times, and kit lookup, visit www.pdnplu.com

Product Selection Chart

| Basic Unit | Series | Port Size | | | | | | | | | | Spring Range | | | | | | | | | | | | | | | Page | | | | | | | | |
|---|-----------|-----------|-----|-----|-----|-----|---|-------|-------|---|-------|--------------|----|----|----|------|----|----|----|-----|-----|-----|-----|-----|-----|-----|------|-----|-----|-----|---|---|-----|------|------|
| | | 1/8 | 1/4 | 3/8 | 1/2 | 3/4 | 1 | 1-1/4 | 1-1/2 | 2 | 2-1/2 | 8 | 15 | 20 | 25 | 30 | 40 | 50 | 60 | 100 | 120 | 125 | 140 | 150 | 160 | 175 | | 200 | 232 | 250 | | | | | |
| PROP R T I O N A L | P31P | | • | | | | | | | | | — | — | — | — | Opt. | — | — | — | — | — | — | — | — | — | — | — | — | — | — | — | — | — | B32 | |
| | EPP4 | | • | | • | | | | | | | — | — | — | — | — | — | — | — | — | — | — | — | — | — | — | — | — | — | — | — | — | — | K82 | |
| | P32P | | | | • | | | | | | | — | — | — | — | Opt. | — | — | — | — | — | — | — | — | — | — | — | — | — | — | — | — | — | B32 | |
| | PAR-15 | | | | • | | | | | | | — | — | — | — | — | — | — | — | — | — | — | — | — | — | — | — | — | — | — | — | — | — | K74 | |
| | P3Y | | | | | • | • | | | | | — | — | — | — | — | — | — | — | — | — | — | — | — | — | — | — | — | — | — | — | — | — | C12 | |
| DIAL | 51R | | • | | | | | | | | — | — | — | — | — | — | — | — | — | — | — | — | — | — | — | — | — | — | — | — | — | — | K42 | | |
| | 52R | | • | • | • | • | | | | | — | — | — | — | — | Opt. | — | — | — | — | — | — | — | — | — | — | — | — | — | — | — | — | — | K44 | |
| | 53R | | | | | • | • | • | | | — | — | — | — | — | Opt. | — | — | — | — | — | — | — | — | — | — | — | — | — | — | — | — | — | K46 | |
| | 54R | | | | | | | | • | • | — | — | — | — | — | Opt. | — | — | — | — | — | — | — | — | — | — | — | — | — | — | — | — | — | K48 | |
| SEM I | 27R | | • | | | | | | | | — | — | — | — | — | Opt. | — | — | — | — | — | — | — | — | — | — | — | — | — | — | — | — | — | K14 | |
| | R216 | | • | • | | | | | | | — | — | — | — | — | Opt. | — | — | — | — | — | — | — | — | — | — | — | — | — | — | — | — | — | K38 | |
| P R E C I S I O N | P3RA302 | | • | | | | | | | | — | — | — | — | — | Opt. | — | — | — | — | — | — | — | — | — | — | — | — | — | — | — | — | — | K90 | |
| | P3RA102 | | • | | | | | | | | — | — | — | — | — | Opt. | — | — | — | — | — | — | — | — | — | — | — | — | — | — | — | — | — | K92 | |
| | P3RA102BP | | • | | | | | | | | — | — | — | — | — | Opt. | — | — | — | — | — | — | — | — | — | — | — | — | — | — | — | — | — | K94 | |
| | P3RA171 | | • | | | | | | | | — | — | — | — | — | — | — | — | — | — | — | — | — | — | — | — | — | — | — | — | — | — | — | K96 | |
| | P3EA632 | | • | | | | | | | | — | — | — | — | — | — | — | — | — | — | — | — | — | — | — | — | — | — | — | — | — | — | — | — | K98 |
| | P3BA208 | | • | | | | | | | | — | — | — | — | — | — | — | — | — | — | — | — | — | — | — | — | — | — | — | — | — | — | — | — | K100 |
| | P3BA45 | | • | | | | | | | | — | — | — | — | — | — | — | — | — | — | — | — | — | — | — | — | — | — | — | — | — | — | — | — | K102 |
| W A T E R | 20R | | • | • | | | | | | | — | — | — | — | — | — | — | — | — | — | — | — | — | — | — | — | — | — | — | — | — | — | — | K104 | |
| | R24 | | • | | | | | | | | — | — | — | — | — | — | — | — | — | — | — | — | — | — | — | — | — | — | — | — | — | — | — | — | K106 |
| | R46 | | • | • | | | | | | | — | — | — | — | — | — | — | — | — | — | — | — | — | — | — | — | — | — | — | — | — | — | — | — | K108 |

A

Product Index
Engineering Data

Product Index

Product Selection Guide

Engineering Data



For inventory, lead times, and kit lookup, visit www.pdnplu.com

Product Selection Chart

A
 Product Index
 Engineering Data
 Product Index
 Product Selection Guide
 Engineering Data

| Basic Unit | Series | Port Size | | | | | | | | | | Bowls | | | Bowl Capacity | Elements (Micron) | | | Adsorber | Spring Range | | | | | | | | | | Page | |
|-----------------------------------|-----------------------|-----------|-----|-----|-----|-----|---|-------|-------|---|------|-------|-----------------|--|------------------------------|---------------------------------|---------------------------------|------|-------------|--------------|------|------|------|------|---------|------|------|------|------|---------|-----|
| | | 1/8 | 1/4 | 3/8 | 1/2 | 3/4 | 1 | 1-1/4 | 1-1/2 | 2 | Poly | Metal | Metal SG | 5 | | 20 | 40 | 15 | | 25 | 30 | 60 | 110 | 125 | 175 | 200 | 250 | | | | |
| F I L T E R / R E G U L A T O R S | P31E | | • | | | | | | | | | | • | • | — | 0.4 oz. | Std. | — | — | — | — | — | — | Opt. | Opt. | | — | — | — | Opt. | B42 |
| | 14E | • | • | | | | | | | | | | • | • | — | 1 oz. | Std. | — | Opt. | Opt. | Opt. | — | Opt. | Opt. | | Std. | — | — | — | D8 | |
| | B34 | • | • | | | | | | | | | | • | • | — | 1 oz. | Std. | Opt. | — | — | — | Opt. | — | Opt. | | Std. | — | — | — | J32 | |
| | 05E | | • | • | | | | | | | | | • | — | — | 2 oz. | — | — | Std. | — | — | — | Opt. | Std. | | Std. | — | Opt. | — | E24 | |
| | P32E | | • | • | • | | | | | | | | • | • | • | 1.7 oz. | Std. | — | — | — | — | — | Opt. | Opt. | | Std. | — | — | Opt. | B44-B47 | |
| | 06E | | • | • | • | | | | | | | | • | • | • | 4.4 oz. | Opt. | — | Std. | — | — | — | — | — | Std. | | Std. | — | — | Opt. | E26 |
| | 07E | | | | • | • | | | | | | | • | • | • | 7.2 oz. | Opt. | — | Std. | Opt. | — | — | — | — | Std. | | Std. | — | — | Opt. | E28 |
| | P33E | | | | • | • | | | | | | | • | • | • | 2.8 oz. | Std. | — | — | — | — | — | Opt. | Opt. | | Std. | — | — | Opt. | B48 | |
| | P3Y | | | | • | • | | | | | | | • | • | • | 4.4 oz. | Std. | — | — | — | — | — | — | — | — | — | Std. | — | — | Opt. | C14 |
| | P3NE | | | | • | • | | | • | | | | — | — | • | 18 oz. | — | — | Std. | — | — | — | — | — | — | Std. | — | — | Std. | G10 | |
| | 12E | | | | • | • | | | | | | | — | • | — | 7.2 oz. | 6 Std. 0.01 | — | 10 Opt. 1.0 | — | — | — | — | Opt. | | Std. | — | — | Opt. | E30 | |
| M I C R O M I S T | 15L | | • | • | | | | | | | | • | — | • | 2 oz. | Cannot be filled under pressure | | | | | | | | | | E32 | | | | | |
| | 16L | | • | • | • | | | | | | | • | • | • | 2.6 oz. | Cannot be filled under pressure | | | | | | | | | | E34 | | | | | |
| | 17L | | | • | • | • | | | | | | • | • | • | 4.9 oz. | Cannot be filled under pressure | | | | | | | | | | E36 | | | | | |
| | L U B R I C A T O R S | 02L | | • | • | | | | | | | | Aluminum Body | | | 0.25 oz. | Cannot be filled under pressure | | | | | | | | | | J38 | | | | |
| | | P31L | | • | | | | | | | | | • | — | • | 0.6 oz. | Can be filled under pressure | | | | | | | | | | B50 | | | | |
| | | 04L | • | • | | | | | | | | | • | • | — | 1 oz. | Cannot be filled under pressure | | | | | | | | | | D10 | | | | |
| | | P32L | | • | • | • | | | | | | | • | — | • | 4.09 oz. | Can be filled under pressure | | | | | | | | | | B52 | | | | |
| | | 06L | | • | • | • | | | | | | | • | • | • | 2.9 oz. | Can be filled under pressure | | | | | | | | | | E38 | | | | |
| | | 07L | | | | • | • | | | | | | • | • | • | 6 oz. | Can be filled under pressure | | | | | | | | | | E40 | | | | |
| | | P33L | | | | • | • | | | | | | • | — | • | 6.1 oz. | Can be filled under pressure | | | | | | | | | | B54 | | | | |
| | | PL10 | | | | • | | | | | | | Stainless Steel | | | 4.0 oz. | Cannot be filled under pressure | | | | | | | | | | F18 | | | | |
| | | P3Y | | | | • | • | | | | | | • | — | — | 16.9 oz. | Can be filled under pressure | | | | | | | | | | C16 | | | | |
| | | P3NL | | | | • | • | | | • | | | — | — | • | 18 oz. | Can be filled under pressure | | | | | | | | | | G12 | | | | |
| L606 | | | | • | • | | | • | | | — | • | • | 16 oz. (W) 32 oz. (E) 64 oz. (G) | Can be filled under pressure | | | | | | | | | | H28-H31 | | | | | | |
| 09L | | | | | | | | • | | | — | — | • | 1 qt. Std. 3 qt. Opt. | Can be filled under pressure | | | | | | | | | | H32 | | | | | | |



For inventory, lead times, and kit lookup, visit www.pdnplu.com

Product Selection Chart

| Basic Unit | Series | Number of Components | Port Size | | | | | | | | | | Bowls | | | Elements (Micron) | | | | | Spring Range | | | | | | Page | | |
|------------|---------|----------------------|-----------|-----|-----|-----|-----|---|-------|-------|---|------|-------|----------|------|-------------------|------|------|----------|------|--------------|------|------|------|------|------|------|------|-----|
| | | | 1/8 | 1/4 | 3/8 | 1/2 | 3/4 | 1 | 1-1/4 | 1-1/2 | 2 | Poly | Metal | Metal SG | 5 | 40 | 0.01 | 1.0 | Absorber | 15 | 30 | 60 | 125 | 175 | 232 | 250 | | | |
| MODULAR | P31 | Multi | | ● | | | | | | | | | ● | ● | — | Std. | — | Opt. | Opt. | Opt. | — | Opt. | Opt. | Std. | — | — | Opt. | B56 | |
| | P32 | Multi | | ● | ● | ● | | | | | | | ● | ● | ● | Std. | — | Opt. | Opt. | Opt. | — | Opt. | Opt. | Std. | — | — | Opt. | B57 | |
| | 06H/16H | 2 | | ● | ● | ● | | | | | | | ● | ● | ● | Opt. | Std. | — | — | — | — | — | Opt. | Std. | — | — | Opt. | E44 | |
| | 06B/16B | 3 | | ● | ● | ● | | | | | | | ● | ● | ● | Opt. | Std. | — | — | — | — | — | Opt. | Std. | — | — | Opt. | E44 | |
| | 07H/17H | 2 | | | | ● | ● | | | | | | ● | ● | ● | Opt. | Std. | — | — | — | — | — | Opt. | Std. | — | — | Opt. | E44 | |
| | 07B/17B | 3 | | | | ● | ● | | | | | | ● | ● | ● | Opt. | Std. | — | — | — | — | — | Opt. | Std. | — | — | Opt. | E44 | |
| | P33 | Multi | | | | ● | ● | | | | | | ● | ● | ● | Std. | — | Opt. | Opt. | Opt. | — | Opt. | Opt. | Std. | — | — | Opt. | B58 | |
| | P3YCA | 2 | | | | ● | ● | | | | | | ● | ● | ● | Std. | — | — | — | — | — | — | — | Std. | Opt. | — | — | C18 | |
| | P3YCB | 3 | | | | ● | ● | | | | | | ● | ● | ● | Std. | — | — | — | — | — | — | — | Std. | Opt. | — | — | C18 | |
| | P3NCA | 2 | | | | ● | ● | | | | ● | | — | — | ● | — | Std. | — | — | — | — | — | — | Std. | — | — | Opt. | G14 | |
| | P3NCB | 3 | | | | ● | ● | | | | ● | | — | — | ● | — | Std. | — | — | — | — | — | — | Std. | — | — | Opt. | G14 | |
| | COMBOS | 14G | 2 | ● | ● | | | | | | | | ● | ● | — | Std. | Opt. | — | — | — | — | Opt. | Opt. | Opt. | Std. | — | — | — | D12 |
| | | 14A | 3 | ● | ● | | | | | | | | ● | ● | — | Std. | Opt. | — | — | — | — | Opt. | Opt. | Opt. | Std. | — | — | — | D12 |
| | | 06G/16G | 2 | | ● | ● | ● | | | | | | ● | ● | ● | Opt. | Std. | — | — | — | — | — | — | Std. | Std. | — | — | Opt. | E42 |
| | | 06A/16A | 3 | | ● | ● | ● | | | | | | ● | ● | ● | Opt. | Std. | — | — | — | — | — | — | Std. | Std. | — | — | Opt. | E42 |
| | | 07G/17G | 2 | | | | ● | ● | | | | | ● | ● | ● | Opt. | Std. | — | — | — | — | — | — | Std. | Std. | — | — | Opt. | E42 |
| 07A/17A | | 3 | | | | ● | ● | | | | | ● | ● | ● | Opt. | Std. | — | — | — | — | — | — | Std. | Std. | — | — | Opt. | E42 | |
| C628 | | 3 | | | | ● | ● | | | | ● | — | ● | ● | Opt. | Std. | — | — | — | — | — | — | Std. | — | — | Opt. | H34 | | |

| Basic Units | Series | Port Sizes | Flow Rates (scfm) | Pressure dewpoints | | | Electrical Requirement | | Dryer Application | Page |
|------------------------------|---------|-------------------|-------------------|--------------------|-------|---------------|------------------------|----|---|------|
| | | | | 37-50°F | -40°F | -40 to -100°F | Yes | No | | |
| Disposable Inline Desiccant | DD10-02 | 1/4" | 15 | — | Std. | — | — | ● | Point of use, intermittent use | M6 |
| Inline Desiccant | DD | 1/4" to 1" | 15, 30, 60 | — | Std. | — | — | ● | Point of use, intermittent use | M7 |
| Regenerative Desiccant Dryer | DAS | 3/8" | 3 - 20 | — | Std. | — | ● | — | Compact, lightweight, point of use | M9 |
| Heatless Desiccant Dryer | PTW | 1/2" to 2" | 25 - 800 | — | Std. | Opt. | ● | — | Specific where very low pressure dewpoints are required | M13 |
| Refrigeration Dryer | PRD | 1/2" to 6" flange | 10 - 2,400 | Std. | — | — | ● | — | General industrial use | M2 |

A

Product Index
Engineering Data

Product Index

Product Selection Guide

Engineering Data



For inventory, lead times, and kit lookup, visit www.pdnplu.com

A
 Product Index
 Engineering Data
 Product Index
 Product Selection Guide
 Engineering Data

Saving Money and Space by Sizing Your Valves Properly

This catalog gives you a flow rating (Cv) for each valve in the Parker Hannifin line. You can “plug” your requirements into the following simple formula, and determine the Cv needed to do the job. By not oversizing, you’ll save space and money, and you’ll ensure the valve you select will do the job.

Converting the Job Requirements Into Cv (Capacity Co-efficient).

$$C_v = \frac{\text{Cylinder Area (Sq. In.)} \times \text{Cylinder Stroke (In.)} \times \text{Compression Factor (Table 2)} \times \text{“A” (Table 2)}}{\text{Stroke Time (sec.)} \times 28.8}$$

Let’s work through an example:

We want to extend a 3 1/4" bore cylinder which has a 12" stroke in one second, and we have a supply pressure of 80 PSI to do the work. Here’s what we know:

- Cylinder Area for a 3-1/4" Bore, from Table 18.30 sq. in.
- Cylinder Stroke..... 12 in.
- Stroke Time Required in Seconds.....1 sec.
- Compression Factor at 80 PSI, from Table 2..... 6.4
- “A” Constant for 80 PSI, from Table 2048

Substituting in the formula, we have:

$$C_v = \frac{8.30 \times 12 \times 6.4 \times .048}{1 \times 28.8} = 1.06$$

Any valve, therefore, which has a Cv of *at least* 1.06, will extend our cylinder the specified distance in the required time.

Choosing the Valve “Series”

Your next step is to choose a basic valve design to do the job. For a quick guide to valve designs, see Table 3.

Having selected the basic valve design, consult the Capacity Co-efficient (Cv) tables which describe the individual valve capacities.

Selecting the Valve Model, Options and Accessories

Having determined Cv, series, port size, flow-path configuration (pre-determined by circuit design), and actuation method, you’re ready to choose the *exact* valve model number.

Read the pertinent catalog pages; note the exact model numbers, options and accessories you want. Then phone or write your Parker Hannifin air valve distributor. They will give you prompt, accurate service.

Note: Need circuit design help? Contact your local Parker Hannifin distributor. They are backed up by our regional Sales Engineers and offices. Between them, you’ll find answers to all of your questions.

Table 1
Effective Square-Inch Areas for Standard-Bore-Size Cylinders

| Bore Size | Cylinder Area (Sq. In.) | Bore Size | Cylinder Area (Sq. In.) |
|-----------|-------------------------|-----------|-------------------------|
| 3/4" | .44 | 4" | 12.57 |
| 1" | .79 | 4-1/2" | 15.90 |
| 1-1/8" | .99 | 5" | 19.64 |
| 1-1/4" | 1.23 | 6" | 28.27 |
| 1-1/2" | 1.77 | 7" | 38.48 |
| 1-3/4" | 2.41 | 8" | 50.27 |
| 2" | 3.14 | 10" | 78.54 |
| 2-1/2" | 4.91 | 12" | 113.10 |
| 3-1/4" | 8.30 | 14" | 153.94 |
| 3-5/8" | 10.32 | | |

Table 2
Compression Factors and “A” Constants

| Inlet Pressure (psig) | Compression Factor | “A” Constants for Various Pressure Drop* | | |
|-----------------------|--------------------|--|----------|-----------|
| | | 2 PSI ΔP | 5 PSI ΔP | 10 PSI ΔP |
| 10 | 1.6 | .152 | .103 | |
| 20 | 2.3 | .126 | .084 | .065 |
| 30 | 3.0 | .111 | .073 | .055 |
| 40 | 3.7 | .100 | .065 | .048 |
| 50 | 4.4 | .091 | .059 | .044 |
| 60 | 5.1 | .085 | .055 | .040 |
| 70 | 5.7 | .079 | .051 | .037 |
| 80 | 6.4 | .075 | .048 | .035 |
| 90 | 7.1 | .071 | .046 | .033 |
| 100 | 7.8 | .068 | .044 | .032 |
| 110 | 8.5 | .065 | .042 | .030 |
| 120 | 9.2 | .063 | .040 | .029 |
| 130 | 9.9 | .061 | .039 | .028 |
| 140 | 10.6 | .058 | .037 | .027 |
| 150 | 11.2 | .057 | .036 | .026 |
| 160 | 11.9 | .055 | .035 | .025 |
| 170 | 12.6 | .053 | .034 | .024 |
| 180 | 13.3 | .052 | .033 | .024 |
| 190 | 14.0 | .051 | .032 | .023 |
| 200 | 14.7 | .050 | .032 | .023 |

Note: Use “A” constant at 5 PSI ΔP for most applications. On very critical applications, use “A” at 2 PSI ΔP. You will find in many cases, a 10 PSI ΔP is not detrimental, and can save money and mounting space.

* Tabulated values are the solution of $\frac{1}{22.48} \sqrt{\frac{GT}{(P_1 - P_2) P_2}}$ where T is for 68°F and G =1 for Air.

Table 3
Characteristics of the Major Valve Designs

| | |
|--|--|
| A. Poppet 3-Way and 4-Way | 1. High flow capacities 2. Minimum lubrication requirements 3. Fast response 4. Self-cleaning poppet seats 5. Pressures of 15 to 150 psig (modifications for vacuum to 250 psig) |
| B. Spool Valves (WCS) 3-Way and 4-Way | 1. Low friction 2. Lower operating pressures 3. Fast response 4. Less wear 5. Long Cycle Life - Under pressure, radial expansion of the seal occurs to maintain sealing contact with the valve bore 6. Non-Lube Service - No lubrication required for continuous valve shifting 7. Bi-Directional Spool Seals - Common spool used for any pressure, including vacuum |
| C. Packed Bore 4-Way | 1. Wide range of flow capacities 2. Wide range of flow-path configurations 3. Pilot-operated models available 4. Pressures of vacuum to 150 psig |
| D. Rotary or Reciprocating Disc 4-Way, manually operated | 1. Inexpensive 2. Versatility in manual actuation |

Cv – Capacity Co-efficients (sometimes called Flow Factors). Each flow path through the valve has its own Cv value. All Cv ratings for each valve cataloged on this page are listed on the front side of this sheet.

$$C_v = \frac{Q}{22.48} \sqrt{\frac{GT}{(P_1 - P_2) P_2}}$$

Q = Flow in Standard Cubic Feet per minute (14.7 PSIA at 60°F)
 P₁ = Inlet Absolute Pressure (gauge pressure + 14.7)
 P₂ = Outlet Absolute Pressure (gauge pressure + 14.7)
 Note: P₂ must be greater than .53 x P₁
 G = Specific Gravity of flowing medium (Air, G =1)
 T = Absolute Temperature of Air (460 + °F)

Cv = Q x “A” (Table 2)



For inventory, lead times, and kit lookup, visit www.pdnplu.com

Air Preparation Units

| Symbol | Description |
|--------|--|
| | Filter / Separator with manual drain |
| | Filter / Separator with automatic drain |
| | Oil Removal Filter |
| | Automatic Drain |
| | Lubricator less drain |
| | Lubricator with manual drain |
| | Lubricator with automatic filling |
| | Air Line Pressure Regulator adjustable, relieving |
| | Air Line Pressure Regulator pilot controlled, relieving |
| | Filter / Regulator (piggyback) manual drain relieving (with gauge) |
| | Filter / Regulator (piggyback) auto drain relieving |
| | Air Line Combo F-R-L simplified |

Pneumatic Valves

| Symbol | Description |
|--------|----------------------------|
| | Check |
| | Flow Control |
| | Relief Valve |
| | 2-Position, 2-Way |
| | 2-Position, 3-Way |
| | 2-Position, 4-Way |
| | 2-Position, 4-Way 5-Ported |

Pneumatic Valves

| Symbol | Description |
|--------|--|
| | 3-Position, 4-Way, APB ports closed, center pos. |
| | 3-Position, 4-Way, CE 5-Ported cylinder ports open to exhaust in center position |
| | 3-Position, 4-Way, PC 5-Ported pressure port open to cylinder ports in center position |
| | Quick Exhaust |
| | Shuttle |

Valve Actuators

| Symbol | Description |
|--------|--|
| | Manual general symbol |
| | Push Button |
| | Lever |
| | Pedal or Treadle |
| | Mechanical cam, toggle, etc. |
| | Spring |
| | Detent line indicates which detent is in use |
| | Piezo |
| | Solenoid |
| | Internal Pilot Supply |
| | Remote Pilot Supply complete |
| | Remote Pilot Supply simplified |
| | And / Or Composite solenoid and pilot or manual override |
| | And / Or Composite solenoid and pilot or manual override and pilot |

Cylinders

| Symbol | Description |
|--------|------------------------|
| | Standard double acting |
| | Single Acting |
| | Double Rod |
| | Spring Return |
| | Ram Type |
| | Telescope |
| | Tandem |
| | Duplex |

Lines and Functions

| Symbol | Description |
|--------|---|
| | Solid Line - Main Line |
| | Dashed Line - Pilot Line |
| | Dotted Line - Exhaust or Drain Line |
| | Center Line - Enclosure Outline |
| | Lines Crossing (90° intersection not necessary) |
| | Lines Joining (90° intersection not necessary) |
| | Lines Joining |
| | Flow Direction hydraulic medium |
| | Flow Direction gaseous medium |
| | Energy Source |
| | Line with Fixed Restriction |
| | Line with Adjustable Restriction |
| | Flexible Line |
| | Plugged Port, Test Station, Power Take-off |
| | connected Quick Disconnect Without Checks |
| | disconnected Quick Disconnect Without Checks |
| | connected Quick Disconnect With Checks |
| | disconnected Quick Disconnect With Checks |
| | connected Quick Disconnect With One Check |
| | disconnected Quick Disconnect With One Check |

A

Product Index
Engineering Data

Product Index

Product Selection Guide

Engineering Data



For inventory, lead times, and kit lookup, visit www.pdnplu.com

Engineering Data

A

Product Index
Engineering DataProduct
IndexProduct
Selection GuideEngineering
Data **CAUTION:**

Polycarbonate bowls and sight domes, being transparent and tough, are ideal for use with Filters and Lubricators. They are suitable for use in normal industrial environments, but should not be located in areas where they could be subjected to direct sunlight, an impact blow, nor temperatures outside of the rated range. As with most plastics, some chemicals can cause damage. Polycarbonate bowls and sight domes should not be exposed to chlorinated hydro-carbons, ketones, esters and certain alcohols. They should not be used in air systems where compressors are lubricated with fire-resistant fluids such as phosphate ester and di-ester types.

Metal bowls are recommended where ambient and/or media conditions are not compatible with polycarbonate bowls. Metal bowls resist the action of most such solvents, but should not be used where strong acids or bases are present or in salt laden atmospheres. Consult the factory for specific recommendations where these conditions exist.

TO CLEAN POLYCARBONATE COMPONENTS USE MILD SOAP AND WATER ONLY! DO NOT use cleansing agents such as acetone, benzene, carbon tetrachloride, gasoline, toluene, etc., which are damaging to this plastic.

Metal bowl guards are recommended for all applications.

 **CAUTION:**

REGULATOR PRESSURE ADJUSTMENT – The working range of knob adjustment is designed to permit outlet pressures within their full range. Pressure adjustment beyond this range is also possible because the knob is not a limiting device. This is a common characteristic of most industrial regulators, and limiting devices may be obtained only by special design.

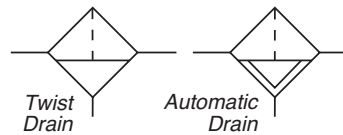


For inventory, lead times, and kit lookup, visit www.pdnplu.com

A10

Parker Hannifin Corporation
Pneumatic Division
Richland, Michigan
www.parker.com/pneumatics

Filters



Air filters are designed to remove airborne solid contaminants, pipescale, rust, pipe dope, etc., which may plug small orifices or cause excessive wear and premature failure of pneumatic components.

Filter Selection

1. Determine maximum system flow requirements.
2. Determine maximum allowable pressure drop at rated flow in scfm.
3. Refer to flow chart and select filter pipe size by choosing curve that offers minimum pressure drop at desired flow in scfm. For optimum performance, a 2 to 5 psig pressure drop should be selected.

Particulate Filters:

For the removal of solid particle contaminants down to 5 microns and the separation of bulk liquids.

This type of filter is generally used in industrial applications where liquid water and oil, and harmful dirt particles must be removed from the compressed air system. This type of filter should also be used as a prefilter for the Coalescing (oil removal) filter.

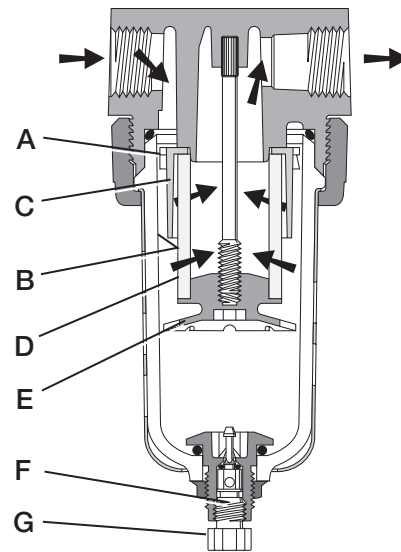
First Stage Filtration:

Air enters at inlet port and flows through deflector plate (A) which causes a swirling action. Liquids and coarse particles are forced to the bowl interior wall (B) by the centrifugal action of the swirling air. They then carry down the bowl wall by the force of gravity. Shroud (C) assures that the proper swirling action occurs and that the air does not pass directly through the filter element (D) until the large particles and liquids are removed. The baffle (E) separates the lower portion of the bowl into a "quiet zone" where the removed liquids and particles collect, unaffected by the swirling air, and are therefore not reentrained into the flowing air.

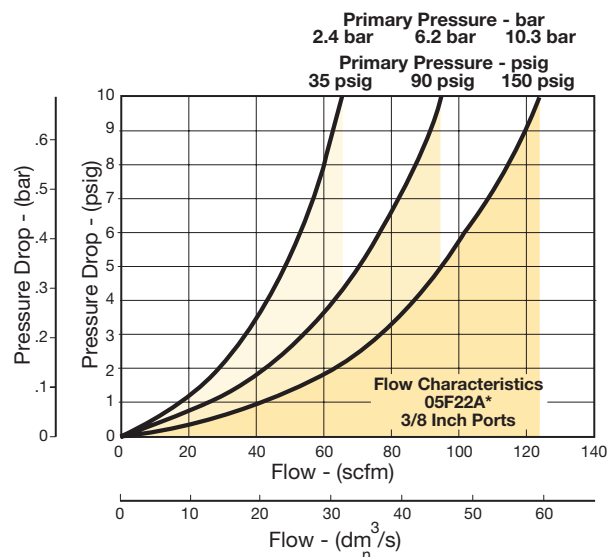
Second Stage Filtration:

After liquids and large particles are removed in the first stage of filtration, the air flows through element (D) where smaller particles are filtered out and retained. The filtered air then passes downstream. Collected liquids and particles in the "quiet zone" should be drained before their level reaches a height where they would be reentrained in the flowing air. This can be accomplished by the twist drain (F) which is actuated by twisting knob (G) counterclockwise. On the 09 Series, unscrew the drain valve (F) slightly until the liquid begins to drain.

Once the required flow is determined for a pneumatic application, the filter can be selected by using the flow chart. To read the filter flow chart, first determine the inlet pressure that will be used. Find the appropriate pressure curve on the graph. Each graph will contain three pressure curves. If the required inlet pressure is not on the graph, interpolate a similar curve for the required pressure. Next, determine the acceptable pressure drop across the filter and locate it on the vertical axis. Find the intersection point of the acceptable pressure drop and the inlet pressure curve. At this point follow a vertical path downward to view the flow in scfm. If the flow is too low, select a larger port size or body size to give the required flow. If the flow is higher than necessary, select a smaller port size or body size to give the required flow.



Reading Flow Charts to Size Filters



A

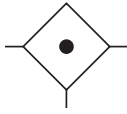
Product Index
 Engineering Data

Product Index

Product Selection Guide

Engineering Data





Coalescing Filters

Coalescing filters are designed to remove 99.9% + of the liquid aerosols, both water and oil, and submicron particulate matter from your pneumatic system. These filters will provide oil free air for applications such as spray painting, air gauging, pneumatic instrumentation, printing and packaging.

Media Specifications

| Grade | Coalescing Efficiency | Maximum Oil Carryover ¹ | Micron Rating | Pressure Drop (PSID) ² @ Rated Flow | |
|-------|-----------------------|------------------------------------|---------------|--|------------------------------|
| | | | | Media Dry | Media Wet With 10-20 wt. oil |
| 6 | 99.97% | 0.008 | 0.01 | 1.0 | 2-3 |
| 10 | 95% | 0.85 | 1.0 | 0.5 | 0.5 |

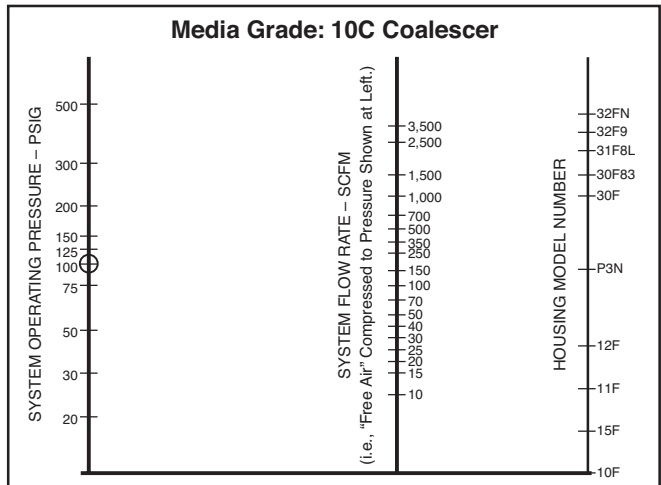
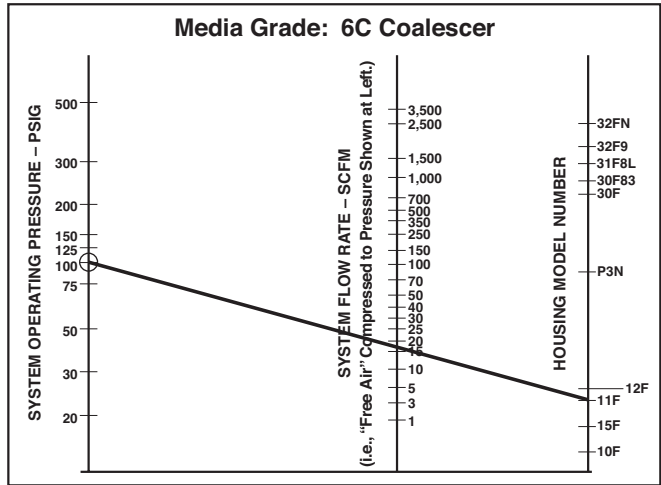
¹ Tested per BCAS 860900 at 40 ppm inlet.
² Add dry + wet for total pressure drop.
 D.O.P. = Dioctylphthalate

Element Selection

| Element grade | Applications |
|--------------------------|--|
| 6 (.01 Micron) | General air coalescing applications when total removal of liquid aerosols and suspended fines is required in all pressure ranges. Protection of air dryers, air gauging, air logic, modulating systems, critical air conveying, most breathing air systems, etc. |
| 10 (.7 Micron) | Precoalescer or prefilter for Grade 6 to remove gross amounts of water and oil, or tenacious aerosols which are difficult to remove. Upgrading existing particulate equipment to coalescing without increase in pressure drop. |

Reading Nomograms for Coalescing Filters

To size a coalescer, refer to the nomograms below. First determine the system pressure and find that pressure on the vertical axis on the left. Next, find the required flow rate on the middle vertical axis. Draw a connecting line between the two points extending to the middle vertical axis giving the recommended coalescer series. If the intersection on the model number axis is between models then choose the model above the intersection point insuring the proper flow in the unit.



A

Product Index
 Engineering Data

Product Index

Product Selection Guide

Engineering Data



For inventory, lead times, and kit lookup, visit www.pdnplu.com

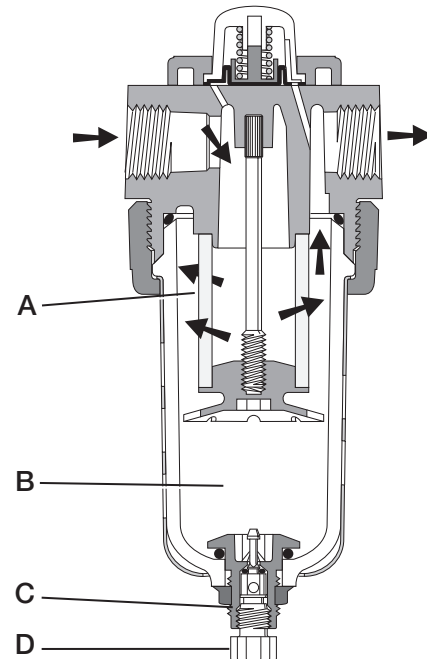
Coalescing Filters (Oil Removal)

Specifically designed for the removal of solid particles, water and oil aerosols down to 0.01 micron. Maximum remaining oil content of air leaving the filter down to 0.01 ppm at 70°F (21°C) at a pressure of 100 psig (6.9 bar) using a typical compressor lubricant. Two filter element grades are offered to better meet your air quality requirements.

Grade 10 filter elements are used for most air coalescing applications where the removal of liquid aerosols and submicronic particles for general air quality is required. Protection of components such as air valves, cylinders, as well as air conveyors, air gaging, air bearings, air control circuits and paint spraying equipment are examples of specific end-use applications. This grade of filter element should be used as a prefilter for the Grade C coalescing filter.

Grade 6 high-efficiency filter elements are used where the removal of extremely fine particulate and virtually “oil-free” or high quality air is necessary. Specific end-use applications are protection of critical air control circuits, air logic systems, flow and temperature controllers, food processing, electronics, health care and film processing.

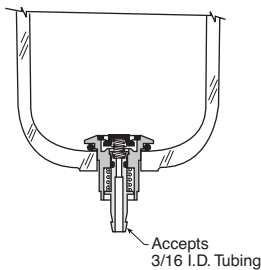
The contaminated air enters the element interior and is forced through a thick membrane of borosilicate glass fibers coated with epoxy (A). Flow then passes through an outer structural support and, at this stage, has removed up to 99.97% + of the sub-micron particles evident in the contaminated air. These tiny droplets coalesce together and are blotted from the filter surface by the drain and release layers of non-woven glass felt and rayon cloth. The drops now begin a gravitational passage to the filter sump (B) where they can be manually or automatically drained. The clean, filtered air now passes through the outer screen plastic net and out into the pneumatic system. The Air Line Coalescing Filter removes liquid aerosols



and sub-micron particulate matter. Collected liquids and particles in the “quiet zone” should be drained before their level reaches a height where they would be reentrained in the flowing air. This can be accomplished by the manual drain (C) which is actuated by twisting knob (D) counterclockwise. On the 30 Series, unscrew the drain valve (E) slightly until the liquid begins to drain.

| |
|-----------------------------------|
| A |
| Product Index Engineering Data |
| Product Index |
| Product Selection Guide |
| Engineering Data |

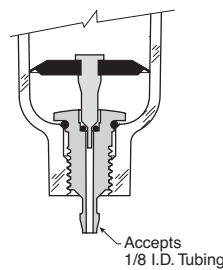
Semi Automatic Drain



(Overnight Drain)

This drain offers a semi-automatic function when there is a differential pressure in the filter which occurs when system pressure is shut off. The drain can also be used manually by gripping it with your fingertips and pushing upward.

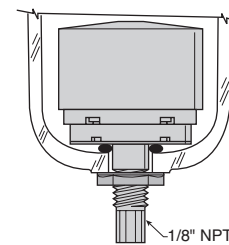
Automatic Pulse Drain



(Spitter Drain)

The diaphragm in this drain pulses when there is a pressure differential such as a valve cycling or cylinder stroking downstream. This action flexes the diaphragm and allows the filter to drain the entrapped water.

Automatic Float Drain

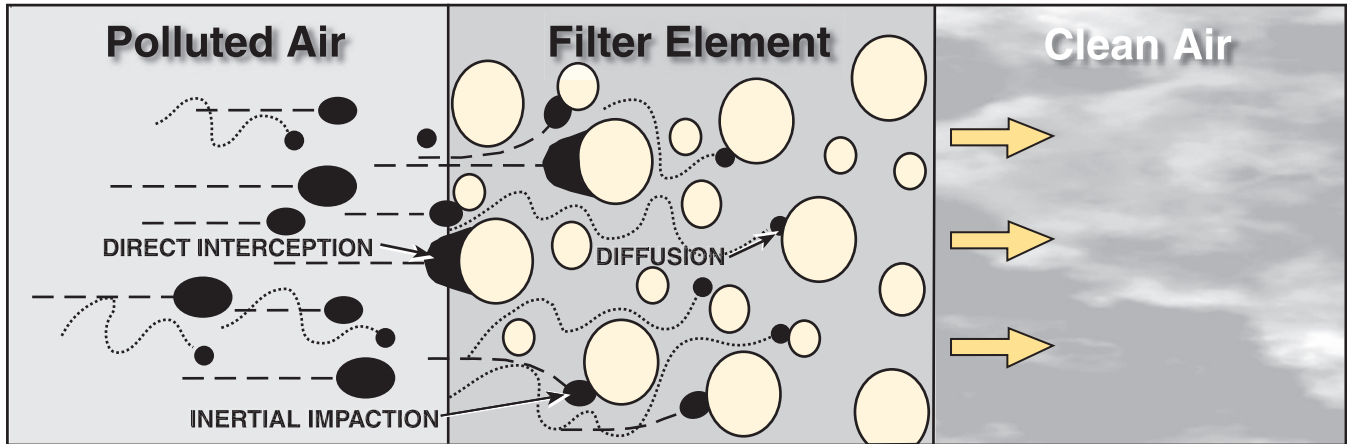


The float internal to this drain rises with increased liquid level. When the float rises, it opens a seat area allowing the trapped liquids to drain through the bottom. A manual override can be pushed in the bottom of the drain to unseat the float if particulates create a block.



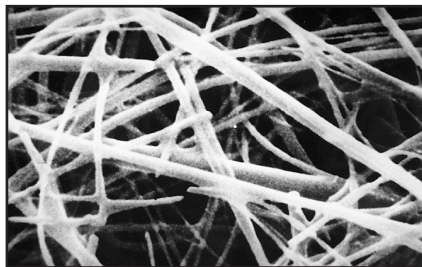
For inventory, lead times, and kit lookup, visit www.pdnplu.com

Filter Technology – Mechanisms of Filtration

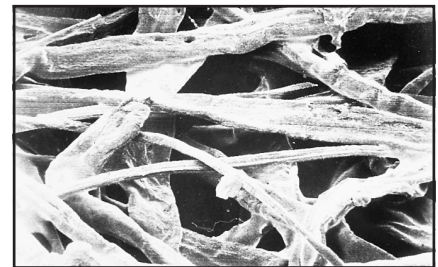


Coalescing Filters

Essentially, coalescing filters Grade 10 (.7 micron) & 6 (.01 micron), rely on what is known as mechanical filtration for their effectiveness. The main mechanisms of mechanical filtration are direct interception, inertial impaction and diffusion. Electrostatic attraction can have some bearing although the efficiency of coalescing filters is not dependent on this mechanism.



Above: Clean borosilicate microfiber seen at a magnification factor of 3900.
Right: The same filter material in a contaminated state at the same degree of magnification.



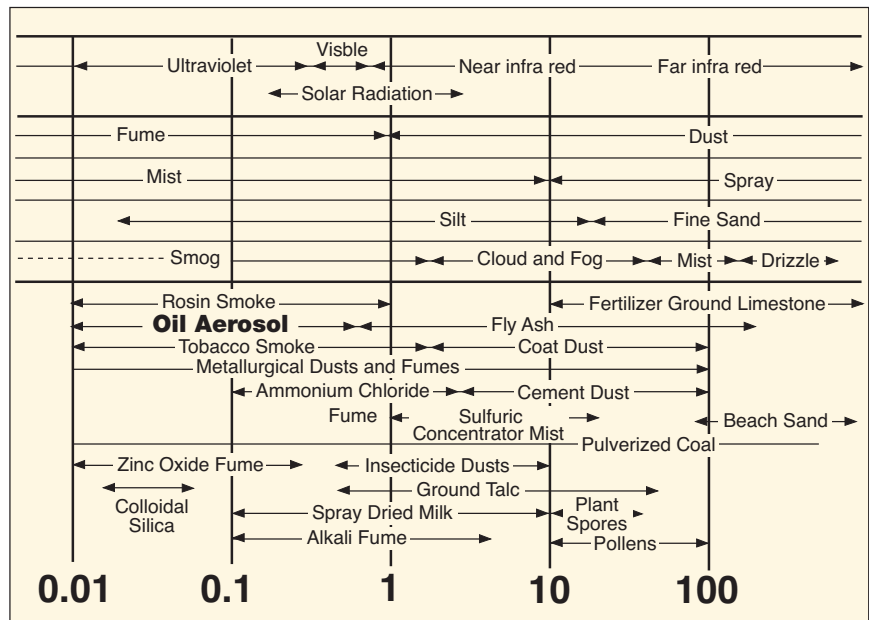
When all mechanisms are combined and utilized by a deep bed of the correct type of filter material, removal of virtually all particles whether liquid or solid, is achieved.

Direct Interception occurs when a particle collides with and adheres to a fiber of the filter material without deviating out of the streamline flow. This mechanism tends to take place on the surface of the filter material and affects mainly larger particles over 1 micron in size.

Inertial Impaction occurs when a particle is unable to follow the tortuous path around the filter fibers and eventually collides with and adheres to one of the fibers. Typically affecting particles in the 0.3 micron - 1 micron size range.

Diffusion or Brownian Movement, as it is sometimes called, occurs with extremely small particles which tend to wander within the gas stream, increasing their chances of colliding with and adhering to a fiber. This usually affects particles below 0.3 micron in size. A degree of overlap takes place with the mechanisms, the extent varying on the conditions.

Pollution Size Chart



To assist in understanding the parameters of filtration, refer to this pollution size comparison chart. Look at the size of a major contaminant, oil aerosol! It is in the region of 0.01 - 0.8 micron. Tobacco smoke is also a liquid

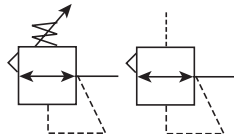
aerosol in a similar size band 0.01 - 1.2 micron. Observe the smoke test yourself, appreciate the size of the problem! The smallest particle the human eye can see is in the order of 40 microns.



For inventory, lead times, and kit lookup, visit www.pdnplu.com

A
 Product Index
 Engineering Data
 Product Index
 Product Selection Guide
 Engineering Data

Regulators

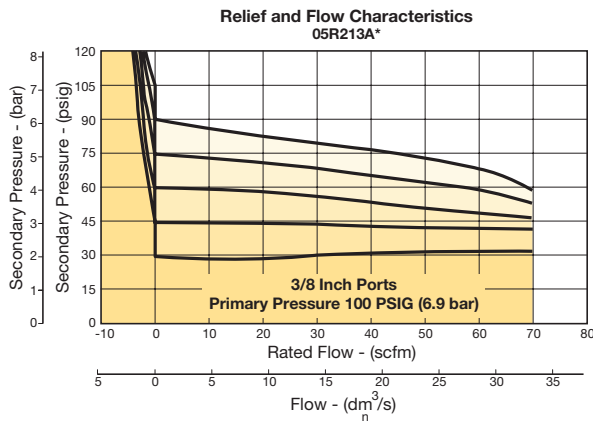


Air regulators are designed to provide quick response and accurate pressure regulation for the most demanding industrial applications.

Regulator Selection

1. Determine maximum system flow requirements.
2. Determine maximum allowable pressure drop at rated flow in scfm.
3. Refer to flow chart and select regulator by choosing the curve that offers minimum pressure drop at desired flow in scfm.

Reading Flow Charts to Size Regulators



Once the required flow is determined for a pneumatic application the regulator or filter/regulator can be selected by using the flow chart. The chart serves two different purposes. To read the flow, use the right side of the chart. To read the relief characteristics use the left side of the chart. When reading the flow chart, first determine the secondary pressure that will be used. Find the appropriate pressure curve on the graph. Given an acceptable pressure drop for an application, follow the flow curve until it intersects the pressure drop point. This will give the flow at that particular pressure drop.

⚠ WARNING

**Product rupture can cause serious injury.
 Do not connect regulator to bottled gas.
 Do not exceed Maximum primary pressure rating.**

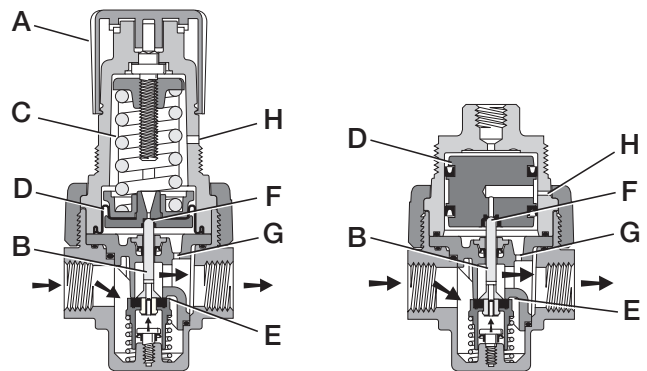
CAUTION:

REGULATOR PRESSURE ADJUSTMENT – The working range of knob adjustment is designed to permit outlet pressures within their full range. Pressure adjustment beyond this range is also possible because the knob is not a limiting device. This is a common characteristic of most industrial regulators, and limiting devices may be obtained only by special design. For best performance, regulated pressure should always be set by increasing the pressure up to the desired setting.

General Purpose Regulators

Used to provide a convenient and low cost method to reduce a supplied air pressure to a desired outlet pressure and transform a fluctuating air supply to a relatively constant reduced air pressure within the operating range of the regulator.

This type of regulator is generally used in a wide variety of applications where reduced pressure is highly desirable for energy conservation, safety requirements, air circuit control and air instrumentation.



Operation

With the adjusting knob (A) turned fully counterclockwise (no spring load), and pressure supplied to the regulator inlet port, the valve poppet assembly (B) is closed. Turning the adjusting knob clockwise applies a load to control spring (C). This load causes the piston / diaphragm (D) and the valve poppet assembly (B) to move downward allowing flow across the seat area (E) created between the poppet assembly and the seat. Pressure in the downstream line is sensed below the piston / diaphragm (D) and offsets the load of spring (C). As downstream pressure rises, poppet assembly (B) and control piston (C) move upward until the area (E) is closed and the load of the spring (C) and pressure under piston / diaphragm (D) are in balance. A reduced outlet pressure has now been obtained, depending on spring load. Creating a demand downstream, such as opening a valve, results in a reduced pressure under the piston / diaphragm (D). The load of control spring (C) now causes the poppet assembly to move downward opening seat area (E) allowing air to flow to meet the downstream demand. The flow of downstream air is metered by the amount of opening (E).

During low flow requirements, the amount of opening at the seat (E) is small, while at high flows it is large. The downstream pressure signal, which regulates the amount of opening, requires an adjustment over this range, in order to attempt a constant output. This adjustment is the orifice (G), which is sized and located in such a manner as to provide a compensation to the downstream pressure signal transmitted to the piston. This effect is called aspiration and its effect is to maintain downstream pressure nearly constant over a wide range of flow demands.

Should downstream pressure exceed the desired regulated pressure, the excess pressure will cause the piston / diaphragm (D) to move upward against control spring (C), open vent hole (F), and vent the excess pressure to atmosphere through the hole in the bonnet (H). (This occurs in the relieving type regulator only.)

A

Product Index
 Engineering Data

Product Index

Product Selection Guide

Engineering Data



For inventory, lead times, and kit lookup, visit www.pdnplu.com

A

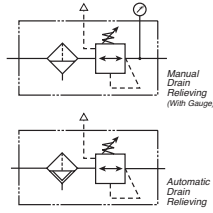
Product Index
 Engineering Data

Product Index

Product Selection Guide

Engineering Data

Filter / Regulators

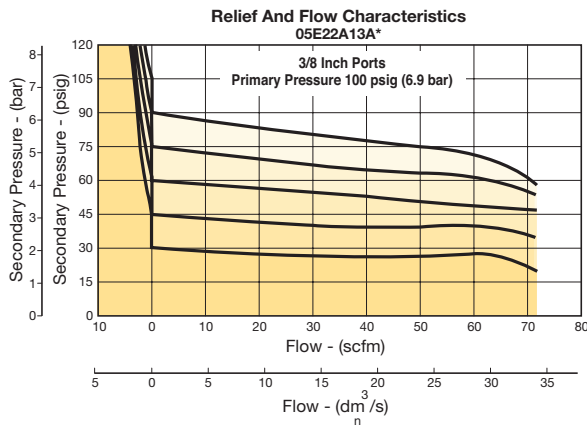


Integral Filter / Regulators are an excellent choice where accurate pressure regulation and high moisture removal efficiency are required in a space saving package.

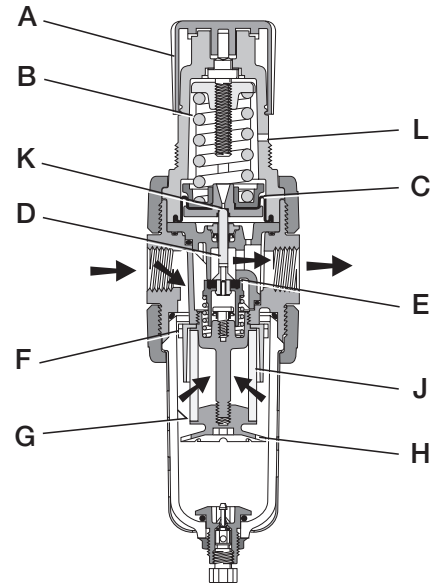
Filter / Regulator Selection

1. Determine maximum system flow requirements.
2. Determine maximum allowable pressure drop at rated flow in scfm.
3. Refer to flow chart and select filter/regulator by choosing the curve that offers minimum pressure drop at desired flow in scfm.

Reading Flow Charts to Size Filter / Regulators



Once the required flow is determined for a pneumatic application the regulator or filter/regulator can be selected by using the flow chart. The chart serves two different purposes. To read the flow, use the right side of the chart. To read the relief characteristics use the left side of the chart. When reading the flow chart, first determine the secondary pressure that will be used. Find the appropriate pressure curve on the graph. Given an acceptable pressure drop for an application, follow the flow curve until it intersects the pressure drop point. This will give the flow at that particular pressure drop.



Operation

Turning the knob (A) clockwise applies a load to control spring (B) which forces the piston/diaphragm (C) and valve poppet assembly (D) to move downward allowing filtered air to flow through the seat area (E) created between the poppet assembly and the seat. "First stage filtration" begins when air pressure supplied to the inlet port is directed through deflector plate (F) causing a swirling centrifugal action forcing liquids and coarse particles to the inner bowl wall (G) and down below the lower baffle (H) to the quiet zone. After liquids and large particles are removed in the first stage of filtration "second stage filtration" occurs as air flows through element (J) where smaller particles are filtered out and retained. The air flow now passes through seat area (E) to the outlet port of the unit. Pressure in the downstream line is sensed below the piston/diaphragm (C) and offsets the load of control spring (B). When downstream pressure reaches the set-point, poppet valve assembly (D) and piston/diaphragm (C) move upward closing seat area (E). Should downstream pressure exceed the desired regulated pressure, the excess pressure will cause the piston/diaphragm (C) to move upward opening vent hole (K) venting the excess pressure to atmosphere through the hole in the bonnet (L). (This occurs in the standard relieving type regulator only.)

⚠ WARNING

**Product rupture can cause serious injury.
 Do not connect regulator to bottled gas.
 Do not exceed Maximum primary pressure rating.**

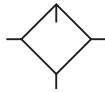
CAUTION:

REGULATOR PRESSURE ADJUSTMENT – The working range of knob adjustment is designed to permit outlet pressures within their full range. Pressure adjustment beyond this range is also possible because the knob is not a limiting device. This is a common characteristic of most industrial regulators, and limiting devices may be obtained only by special design. For best performance, regulated pressure should always be set by increasing the pressure up to the desired setting.



For inventory, lead times, and kit lookup, visit www.pdnplu.com

Micro-Mist Lubricators

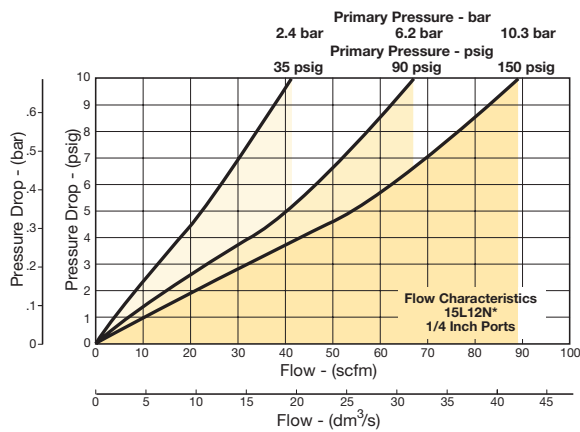


Micro-Mist Air Lubricators are designed to provide optimum and uniform lubrication with fine micro-mist particles of 2 micron or smaller, to pneumatic components even through complex piping arrangements.

Lubricator Selection

1. Determine maximum system flow requirements.
2. Determine maximum allowable pressure drop at rated flow in scfm.
3. Refer to flow chart and select lubricator by choosing the curve that offers minimum pressure drop at desired flow in scfm.

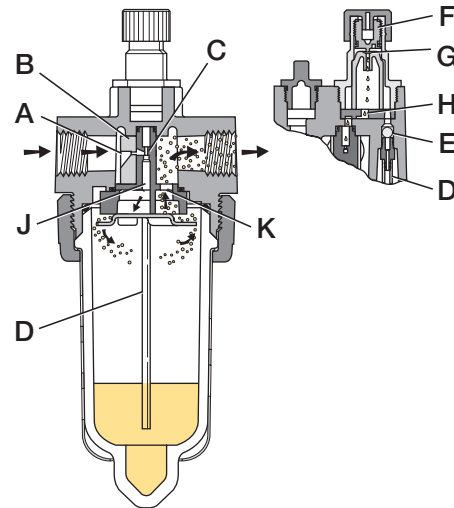
Reading Flow Charts to Size Micro-Mist Lubricators



Once the required flow is determined for a pneumatic application the lubricator can be selected by using the flow chart. To read the lubricator flow chart, first determine the inlet pressure that will be used. Find the appropriate pressure curve on the graph. Each graph will contain three pressure curves. If the required inlet pressure is not on the graph, interpolate a similar curve for the required pressure. Next, determine the acceptable pressure drop across the lubricator and locate it on the vertical axis. Find the intersection point of the acceptable pressure drop and the inlet pressure curve. At this point follow a vertical path downward to view the flow in scfm.

If the flow is too low, select a larger port size or body size to give the required flow. If the flow is higher than necessary, select a smaller port size or body size to give the required flow.

The Micro-Mist lubricators inject a micro-mist of oil into the flowing air stream to automatically provide the correct amount of internal lubrication for air tools and other pneumatic devices. This type of lubricator can be precisely adjusted to a very low oil flow rate because only a portion of the oil drops seen in the sight dome goes downstream. The lubricator should be used where only a very minute amount of lubricant is desirable or where it is necessary for the oil to remain in suspension in the air stream for long distances.



Operation

Air flowing through the unit goes through two paths. At low air flow rates, the majority of the air flows through venturi section (A). The rest of the air slightly deflects and flows by the flapper (B). The velocity of the air flowing through venturi section (A) creates a pressure drop at throat section (C). This lower pressure allows oil to be forced from the reservoir through the pickup tube (D) past the check ball (E), to the dome assembly where the rate of oil flow is controlled by metering screw (F). Rotation of the metering screw (F) in the counterclockwise direction increases the oil flow rate; in the clockwise direction decreases the oil flow rate.

Oil then flows through the clearance between the inner and outer sight domes (G) where drops are formed and drip into the nozzle tube (H). Here it is then broken into fine particles as it expands into the low pressure venturi. From there, the atomized oil flows through the precision orifice (J). This action causes the larger particles of oil to fall back into the reservoir where it can recirculate through the system. The remaining mist of fine particles (5 micron or smaller – about 3% of which passed through the sight dome) is then carried through opening (K) where it joins and mixes with air that bypassed the flapper (B). As air flow rate increases, the flapper (B) deflects, allowing most of the inlet air to bypass the venturi section (A).

However, a proportion of the inlet air passes through the venturi, assuring that oil delivery increases linearly with increased air flow rate. This proportioning method is advantageous at low inlet flows because the venturi design remains efficient.

The check ball (E) prevents reverse oil flow down the pickup tube when air flow stops. Thus, oil delivery can resume immediately when air flow restarts. **Micro-Mist Lubricators can only be filled when the air supply is shut off.**

A

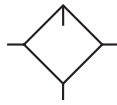
Product Index
 Engineering Data

Product Index

Product Selection Guide

Engineering Data

Mist Lubricators

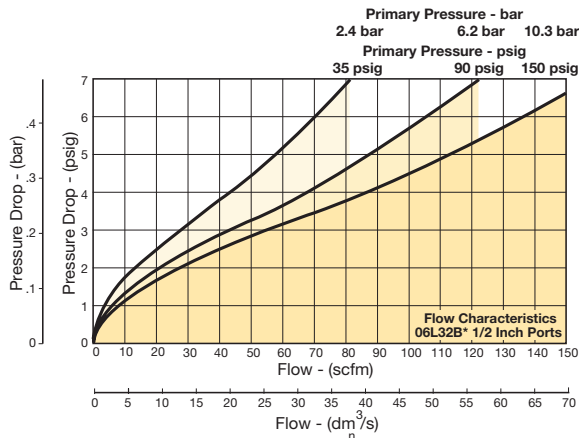


Mist Air Lubricators are designed to provide lubrication for most general applications in a pneumatic system. Units should be installed close to the application ensuring effective distribution of oil to pneumatic components.

Lubricator Selection

1. Determine maximum system flow requirements.
2. Determine maximum allowable pressure drop at rated flow in scfm.
3. Refer to flow chart and select lubricator by choosing the curve that offers minimum pressure drop at desired flow in scfm.

Reading Flow Charts to Size Mist Lubricators



Once the required flow is determined for a pneumatic application the lubricator can be selected by using the flow chart. To read the lubricator flow chart, first determine the inlet pressure that will be used. Find the appropriate pressure curve on the graph. Each graph will contain three pressure curves. If the required inlet pressure is not on the graph, interpolate a similar curve for the required pressure. Next, determine the acceptable pressure drop across the lubricator and locate it on the vertical axis. Find the intersection point of the acceptable pressure drop and the inlet pressure curve. At this point follow a vertical path downward to view the flow in scfm.

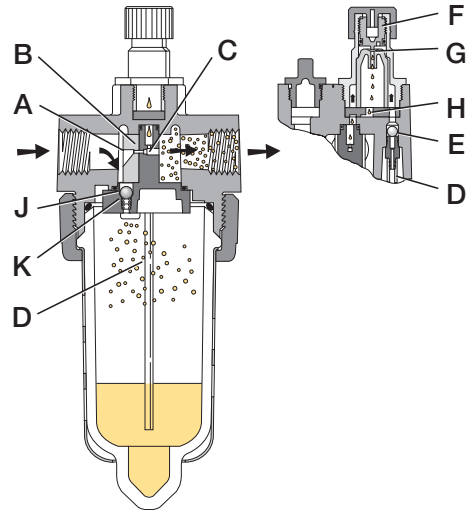
If the flow is too low, select a larger port size or body size to give the required flow. If the flow is higher than necessary, select a smaller port size or body size to give the required flow.

F442 Oil



| Quantity | Part numbers |
|---------------|--------------|
| 1 Quart | F442001 |
| 1 Gallon | F442002 |
| 12 Quart Case | F442003 |
| 4 Gallon Case | F442005 |

These lubricators inject an oil aerosol into the flowing air stream to automatically provide the proper amount of internal lubrication to air operated tools or other pneumatic devices.



Operation

Air flowing through the unit goes through two paths. At low air flow rates, the majority of the air flows through venturi section (A). The rest of the air slightly deflects and flows by the flapper (B), restrictor disc (M) on the 09L. The velocity of the air flowing through venturi section (A) creates a pressure drop at throat section (C). This lower pressure allows oil to be forced from the reservoir through the pickup tube (D) past the check ball (E), to the dome assembly where the rate of oil flow is controlled by metering screw (F). Rotation of the metering screw (F) in the counterclockwise direction increases the oil flow rate; in the clockwise direction decreases the oil flow rate. Oil then flows through the clearance between inner and outer sight domes (G) where drops are formed and drip into the nozzle tube (H). On the 09L, oil flows through the drip tube (F) where drops are formed and drip into the throat section (C). Here it is then broken into fine particles and mixed with the swirling air to be carried to the venturi outlet where it joins the air by passing the flapper (B), (M). As air flow rate increases, the flapper (B), (M) deflects, allowing a greater part of the additional air to bypass the venturi section (A). This assures the oil delivery rate increases linearly with increased air flow rate. The check ball (E) assures that when there is no oil flow the oil in the pickup tube does not return to the reservoir.

The bowl can be filled under pressure due to the action of the check ball (J). When the fill cap is removed, air in the bowl escapes and pressure forces the check ball (J) to nearly seal at (K). When the fill cap is replaced, the small amount of air flow past check ball (J) builds up pressure and together with the spring forces the check ball (J) off seat (K), letting full line pressure into the bowl.

Petroleum based oil of 100 to 200 SSU viscosity at 100°F and an aniline point greater than 200°F

(DO NOT USE OILS WITH ADDITIVES, COMPOUNDED OILS CONTAINING SOLVENTS, GRAPHITE, DETERGENTS, OR SYNTHETIC OILS.)

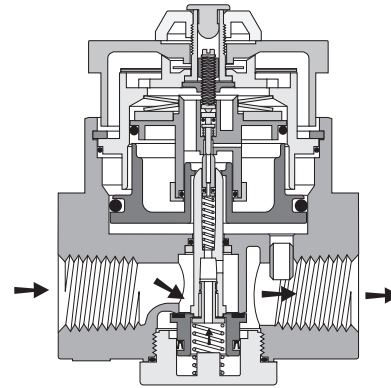


For inventory, lead times, and kit lookup, visit www.pdnplu.com

Dial Regulator

The Dial Regulator is a constant bleed, piston operated regulator. The pilot controlled pressure reducing valve provides exceptionally high air flow with steady pressure control and minimal secondary pressure drop. The non-rising adjustment knob provides quick selection of the desired secondary pressure in less than one full turn. The adjustment knob also can serve as the pressure indicator thereby eliminating the need for a pressure gauge.

This regulator is specifically designed for applications requiring more accurate air circuit control, high air flow capacity with flat performance curves and quick regulator adjustment. The regulator can be used as a conventional regulator for standard air circuits or as a pilot regulator to provide pressure to the control chamber of a pilot operated (slave) regulator.



Operation

To set the regulator, turn the large dial adjustment knob to the desired secondary set pressure. This opens the pilot valve seat allowing air flow into the control chamber which forces the lower piston downward against the relief seat and opens the main valve. At the same time, the air in the control chamber forces the upper piston upward against Belleville springs which closes the pilot valve seat when the set pressure is attained. Secondary pressure in the chamber is now balanced against the control pressure through the lower piston. If demand flow increases, the constant control pressure will force the lower piston and the main valve further downward, and allow more flow downstream. A higher than desired secondary pressure will force the lower piston upward, closing the main valve seat and opening the main relief valve seat thereby allowing air to relieve to the atmosphere. For best performance, regulated pressure should always be set by increasing the pressure up to the desired setting.

⚠ WARNING

**Product rupture can cause serious injury.
Do not connect regulator to bottled gas.
Do not exceed Maximum primary pressure rating.**

A

Product Index
Engineering Data

Product
Index

Product
Selection Guide

Engineering
Data

A

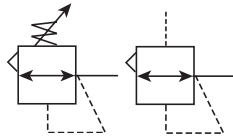
Product Index
 Engineering Data

Product Index

Product Selection Guide

Engineering Data

Precision Regulators

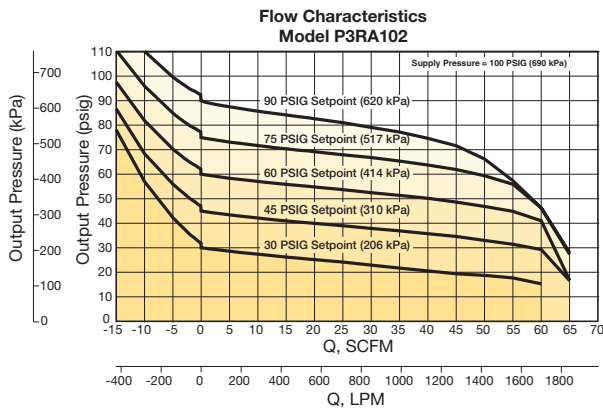


Air regulators are designed to provide quick response and accurate pressure regulation for the most demanding industrial applications.

Regulator Selection

1. Determine maximum system flow requirements.
2. Determine maximum allowable pressure drop at rated flow in scfm.
3. Refer to flow chart and select regulator by choosing the curve that offers minimum pressure drop at desired flow in scfm.

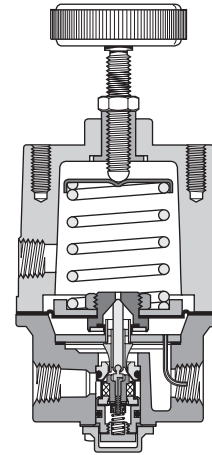
Reading Flow Charts to Size Regulators



Once the required flow is determined for a pneumatic application the regulator or filter/regulator can be selected by using the flow chart. The chart serves two different purposes. To read the flow, use the right side of the chart. To read the relief characteristics use the left side of the chart. When reading the flow chart, first determine the secondary pressure that will be used. Find the appropriate pressure curve on the graph. Given an acceptable pressure drop for an application, follow the flow curve until it intersects the pressure drop point. This will give the flow at that particular pressure drop.

Precision Regulator

For use in applications that require reliable performance and accurate pressure control. This type of regulator is generally used for material handling systems, flow and temperature controllers, critical air control circuits, medical and scientific test equipment, and valve positioners.



Operation

Set the desired secondary pressure by turning the adjustment knob clockwise. This action increases the regulating spring force against the top of the diaphragm disc. When the spring force above exceeds the air pressure beneath the diaphragm, it is transmitted by the valve stem and opens the valve. Airflow through the regulator now occurs.

A precisely designed and positioned aspirator tube constantly transmits the secondary pressure to the under side of the diaphragm so that during flow conditions any pressure loss can be quickly compensated for. When flow is no longer required, the outlet pressure increases slightly, allowing the diaphragm to rise, the valve to close, and set pressure to be maintained.

On self-relieving models, if outlet pressure should increase above the set pressure, the diaphragm will rise therefore opening the relief seal between the diaphragm and the valve. The excess outlet pressure is then vented through the diaphragm orifice into the bonnet and subsequently to the atmosphere through an orifice in the bonnet. For best performance, regulated pressure should always be set by increasing the pressure to the desired setting.

⚠ WARNING

**Product rupture can cause serious injury.
 Do not connect regulator to bottled gas.
 Do not exceed Maximum primary pressure rating.**

CAUTION:

REGULATOR PRESSURE ADJUSTMENT – The working range of knob adjustment is designed to permit outlet pressures within their full range. Pressure adjustment beyond this range is also possible because the knob is not a limiting device. This is a common characteristic of most industrial regulators, and limiting devices may be obtained only by special design. For best performance, regulated pressure should always be set by increasing the pressure up to the desired setting.



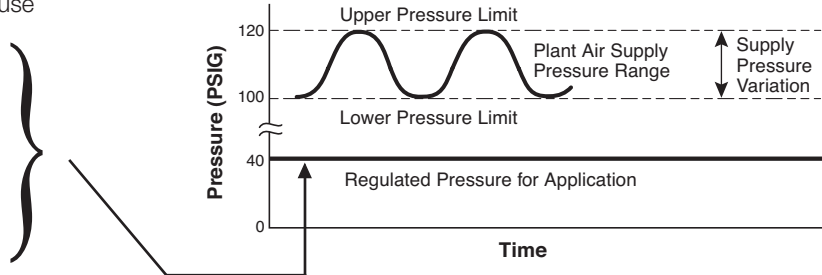
For inventory, lead times, and kit lookup, visit www.pdnplu.com

Precision Regulators Application Guide

Pneumatic pressure regulators are designed to provide a constant pressure output from a fluctuating supply pressure – much the way an electronic voltage regulator works. Pressure regulators provide varying degrees of accuracy with regard to their reduced pressure output. General Purpose pressure regulators work for most fluid power applications. However, for more pressure-critical applications precision regulators can provide the customer with the control they need.

A partial listing of things that can potentially cause regulator output pressure variation are:

- Temperature changes
- Inlet pressure changes
- Variations in flow
- Excess downstream pressure
- Cycling
- Time
- Leakage



Who needs precision regulators?

Design level applications:

When designing a pneumatic system it is important to determine not only the air flow that the application will require but also the acceptable level of pressure variation. Some pneumatic applications cannot tolerate fluctuations in pressure. These applications can include static situations with only a steady pressure maintained, or dynamic flow situations involving any number of changing variables in play while trying to maintain a constant pressure.

Problem solving device for existing applications:

Sometimes an existing pneumatic application does not meet the customer’s needs with regards to pressure control and/or stability. Any or all of the variables listed above can cause issues with pressure stability. As applications are expanded, added on to, or modified the pressure and flow requirements can change.

How do precision regulators differ from general purpose pneumatic regulators?

| Examples → | High Precision Regulators P3RA302, P3RA102, P3RA102BP, P3RA171 | Semi-Precision Regulators 27R, Dial Regulators, R216 | General Purpose Regulators 05R, 06R, 07R, P3NR, R119 |
|---|---|---|---|
| Sensitivity: Reduced pressure repeatability/variation under no-flow condition | .005 to .010 psig (1/8" to 1/4" of water column) | 1 to 2 psig | 3 to 4 psig |
| Regulator’s ability to control back pressure accurately: *key for cylinder applications | Begins to relieve at .005 to .010 psig overpressure | Begins to relieve at .5 to 2 psig overpressure | Begins to relieve at 5 to 10 psig overpressure |
| Regulator’s ability to maintain set pressure under varying flow, input pressure, temperature conditions: | High | Medium | Standard |
| Constant Bleed - does the regulator constantly bleed a small volume of air to the atmosphere to maintain stability? | Yes | Yes | No |

1" Water Column = .0360 PSI
1 psi = 27.7612 Inches Water Column

A

Product Index
 Engineering Data

Product
 Index

Product
 Selection Guide

Engineering
 Data



Application Chart

Original Equipment Manufacturers (OEMs)

| | | | |
|-------------------------|---------------|--|--|
| Engineering Data | Product Index | Air Gauging | Manufacturers of Air Gauging Equipment. |
| | | Anesthesia Equipment | Manufacturers |
| | | Calibration Stands | Similar to Test Stands |
| | | Clamping Pressure Control | End Effect Grippers, Roll Loading |
| | | Control Panels | Manufacturers and Users |
| | | Coordinate Measuring Machines | Manufacturers use in Force Counterbalance Applications in Z-axis |
| | | Dispensing Equipment | Adhesive, Paint, or any other form of Liquid or Gas |
| | | Food Process Machinery | Manufacturers |
| | | Gas Analyzers | Used for Reference and Calibration Air Pressures |
| | | Ink or Paint Robotics Spraying Systems | Manufacturers use to Maintain an Even Pressure on System |
| Product Index | Product | Leak Testing Equipment | Manufacturers of Equipment that Detects Leaks (i.e., Plastic Bottles) |
| | | Medical Equipment | Manufacturers that Utilize for Blood Processing and Sampling as Examples |
| | | Oxygen Ventilators | Manufacturers |
| | | Pharmaceutical Process Machinery | Pill or Tablet Making Machines |
| | | Phone Cable Pressurization Systems | Manufacturers |
| Product Selection Guide | Product | Polishing Machinery | Used to Maintain Even Pressure on Polishing Head |
| | | Semi-conductor Manufacturing Machinery | Manufacturers |
| | | Smoke Stack Analyzers | Used for Reference and Calibration Air Pressures |
| | | Soil or Environmental Analysis Equipment | Used for Reference and Calibration Air Pressures |
| | | Tank Blanketing | Maintain Pressure on Top Level of a Tank or Storage Vessel |
| Engineering Data | Product | Test Equipment | Similar to Test Stands |
| | | Test Stands | Manufacturers of Test Stands, Laboratory Test Stands, Engineering Test Stands, Production Test Stands |
| | | Tool Balancers High Application. Used as helps suspend the when not in use. | Manufacturers of Tool Balancers, Manipulators, and Articulating Arms use Relief Capacity Precision Regulators in a Force-balancing part of a Pneumatic Counter-balance System, the Regulator tool in the air and then makes it easy to move out of the way |
| | | Web Tensioning | Machinery Builders for Printing Presses, Paper Converting, Packaging, Textiles, Plastics. Primarily Unwind Stands and Rewind Stands. |

System Integrators

| | |
|------------------------|--|
| Automation Integrators | Anyone Involved in Designs or Projects that Automate Processes |
|------------------------|--|

Energy Controls Systems

| | |
|------|--|
| HVAC | Anyone who would be involved in Designs that would include Damper and Louvre Control for HVAC Applications |
|------|--|

End Users

| |
|-----------------------------|
| Instrumentation Supervisors |
| Instrumentation Technicians |
| Project Engineers |
| Store Room Supervisors |

MRO

| |
|---------------|
| Chemical |
| Petrochemical |
| Pulp & Paper |
| Food & Drug |
| Refineries |
| Power |
| Mining |
| Oil & Gas |



For inventory, lead times, and kit lookup, visit www.pdnplu.com

Parker is protecting your most valuable assets...

A

Product Index
 Engineering Data

Product Index

Product Selection Guide

Engineering Data



Standard 190.147

- This applies to the servicing and maintenance of a machine or equipment.
- Any new, replacement, repair, or renovation to a machine must include an energy isolation device that can accept a lock out device.
- Lock out devices should not be used for any other purposes
- Verification of energy isolation is required



Standard Z244

- This applies to all machines
- Lockout / tagout is the primary method of hazardous energy control
- Machines shall be designed, manufactured, supplied, and installed with energy isolating devices



- B11.0 applies to a broad range of machines, B11.TR6 is specific to machine tools, and B155.1 is specific to packaging and converting machines
- Energy isolating device shall:
 - Be capable of being locked in the OFF position only
 - Be easy to operate
 - Have an exhaust port equal or greater than its supply port
 - Have a pressure indicator that is visible to an operator to verify line is relieved of pressure

...By offering the best in pneumatic safety for machine maintenance:



Traditional Ball Valve

- Not a dedicated energy isolation device** ✘
- Not a full exhaust port** ✘
- No verification of line exhaust** ✘
- Can be locked ON** ✘
- Not easily identifiable** ✘



Parker Solution

- ✓ Dedicated energy isolation device**
- ✓ Full exhaust port**
- ✓ Verification of line exhaust**
- ✓ Only lockable in OFF position**
- ✓ Easily identifiable**



A

Product Index
Engineering Data

Product Index

Product Selection Guide

Engineering Data

Compressed air and its purification from generation to application

Compressed air is an essential power source that is widely used throughout industry. This safe, powerful and reliable utility can be the most important part of your production process. However, your compressed air will contain water, dirt, wear particles and even degraded lubricating oil which all mix together to form an unwanted condensate. This condensate often acidic, rapidly wears tools and pneumatic machinery, blocks valves and orifices causing high maintenance and costly air leaks. It also corrodes piping systems and can bring your production process to an extremely expensive standstill!

The quality of air required throughout a typical compressed air system can vary.

It is highly recommended that the compressed air is treated prior to entry into the distribution system as well as at each usage point or application.

This approach to system design provides the most cost effective solution to system purification as it not only removes the contamination already in the distribution system, it ensures that only the most critical areas receive air treated to the highest level.

In many instances the compressed air system will be supplying air to more than one application and although the purification equipment specified in the compressor room would remain unchanged, the point of use protection will vary depending upon the air quality requirements of each application.

In many cases this action alone is not enough, as modern production systems and processes demand an even higher level of air quality. Where required, "point of use" filtration, refrigeration or desiccant air dryers can provide the correct air quality, without the need for drying the complete compressed air installation, which can be both costly and totally unnecessary.

Sources of contamination found in a compressed air system

Contaminants in a compressed air system can generally be attributed to the following:

The quality of air being drawn into the compressor
Air compressors draw in a large volume of air from the surrounding atmosphere containing large numbers of airborne contaminants.

The type and operation of the air compressor
The air compressor itself can also add contamination, from wear particles to coolants and lubricants.

Compressed air storage devices and distribution systems
The air receiver and system piping are designed to store and distribute the compressed air. As a consequence, they will also store the large amounts of contaminants drawn into the system. Additionally, piping and air receivers will also cool the moist compressed air forming condensate which causes damage and corrosion.

Atmospheric dirt

Atmospheric air in an industrial environment typically contains 183 million per yd^3 (140 million per m^3) of dirt particles. 80% of these particles are less than 2 microns in size and are too small to be captured by the compressor intake filter, therefore passing directly into the compressed air system.

Water vapor, condensed water and water aerosols

Atmospheric air contains water vapor (water in a gaseous form). The ability of compressed air to hold water vapor is dependent upon its temperature. The higher the temperature, the more water vapor that can be held by the air. During compression, the air temperature is increased significantly, which allows it to easily retain the incoming moisture. After the compression stage, air is normally cooled to a usable temperature. This reduces the air's ability to retain water vapor, resulting in a proportion of the water vapor being condensed into liquid water which is removed by a condensate drain fitted to the compressor after-cooler. The air leaving the after-cooler is now 100% saturated with water vapor and any further cooling of the air will result in more water vapor condensing into liquid water. Condensation occurs at various stages throughout the system as the air is cooled further by the air receiver, piping and the expansion of valves, cylinders, tools and machinery. The condensed water and water aerosols cause corrosion to the storage and distribution system, damage production equipment and the end product. It also reduces production efficiency and increases maintenance costs. Water in any form must be removed to enable the system to run correctly and efficiently.

Rust and pipescale

Rust and pipescale can be found in air receivers and the piping of "wet systems" (systems without adequate purification equipment) or systems which were operated "wet" prior to purification being installed. Over time, this contamination breaks away to cause damage or blockage in production which can also contaminate final product and processes.

Micro-organisms

Bacteria and viruses will also be drawn into the compressed air system through the compressor intake and warm, moist air provides an ideal environment for the growth of micro-organisms. If only a few micro-organisms were to enter a clean environment, a sterile process or production system, enormous damage could be caused that not only diminishes product quality, but may even render a product entirely unfit for use and subject to recall.

Liquid oil and oil aerosols

Most air compressors use oil in the compression stage for sealing, lubrication and cooling. During operation, lubricating oil is carried over into the compressed air system as liquid oil and aerosols. This oil mixes with water vapor in the air and is often very acidic, causing damage to the compressed air storage and distribution system, production equipment and final product.

Oil vapor

In addition to dirt and water vapor, atmospheric air also contains oil in the form of unburned hydrocarbons. The unburned hydrocarbons drawn into the compressor intake as well as vaporized oil from the compression stage of a lubricated compressor will carry over into a compressed air system where it can cool and condense, causing the same contamination issues as liquid oil.



Compressed air quality standards – ISO 8573

ISO 8573 is the group of International standards relating to the quality of compressed air and consists of nine separate parts. Part 1 specifies the quality requirements of the compressed air and parts 2 - 9 specify the methods of testing for a range of contaminants.

ISO 8573.1 : 2010 is the primary document used from the ISO 8573 series and it is this document which allows the user to specify the air quality or purity required at key points in a compressed air system.

ISO8573-1 lists the main contaminants as Solid Particulate, Water and oil. The purity levels for each contaminant are shown in separate tables, however for ease of use, this document combines all three contaminants into one easy to use table.

| ISO8573-1:2010 Class | Solid Particulate | | | | Water | | Oil |
|-------------------------|--|----------------|--------------|-------------------|-------------------|------------------|---------------------------------------|
| | Maximum number of particles per m ³ | | | Concentration | Vapor | Liquid | Total oil (aerosol, liquid and vapor) |
| | 0.1 - 0.5 micron | 0.5 - 1 micron | 1 - 5 micron | mg/m ³ | Pressure Dewpoint | g/m ³ | ppm (mg/m ³) |
| 0 | As specified by the equipment user or supplier and more stringent than Class 1 | | | | | | |
| 1 | ≤ 20,000 | ≤ 400 | ≤ 10 | — | ≤ -94°F (-70°C) | — | 0.008 (0.01) |
| 2 | ≤ 400,000 | ≤ 6,000 | ≤ 100 | — | ≤ -40°F (-40°C) | — | 0.08 (0.1) |
| 3 | — | ≤ 90,000 | ≤ 1,000 | — | ≤ -4°F (-20°C) | — | 0.83 (1) |
| 4 | — | — | ≤ 10,000 | — | ≤ 37°F (3°C) | — | 4.2 (5) |
| 5 | — | — | ≤ 100,000 | — | ≤ 45°F (7°C) | — | — |
| 6 | — | — | — | ≤ 5 | ≤ 50F (10°C) | — | — |
| 7 | — | — | — | 5 - 10 | — | ≤ 0.5 | — |
| 8 | — | — | — | — | — | 0.5 - 5 | — |
| 9 | — | — | — | — | — | 5 - 10 | — |
| X | — | — | — | ≤ 10 | — | ≤ 10 | ≤ 10 |

Specifying air purity in accordance with ISO 8573-1:2010

When specifying the purity of air required, the standard must always be referenced, followed by the purity class selected for each contaminant (a different purity class can be selected for each contaminant if required). An example of how to write an air quality specification is shown below:

Example:

ISO 8573-1:2010 Class 1.2.1

ISO8573-1:2010 refers to the standard document and its revision, the three digits refer to the purity classifications selected for solid particulate, water and total oil. Selecting an air purity class of 1.2.1 would specify the following air quality when operating at the standard’s reference conditions:

Class 1, Particulate

In each cubic meter of compressed air, the particulate count should not exceed 20,000 particles in the 0.1 - 0.5 micron size range, 400 particles in the 0.5 - 1 micron size range and 10 particles in the 1 - 5 micron size range.

Class 2, Water

A pressure dewpoint (PDP) of -40°F (-40°C) or better is required and no liquid water is allowed.

Class 1, Oil

In each cubic meter of compressed air, not more than 0.01mg of oil is allowed. This is a total level for liquid oil, oil aerosol and oil vapor.

Cost effective system design

To achieve the stringent air quality levels required for today’s modern production facilities, a careful approach to system design, commissioning and operation must be employed.

Treatment at one point alone is not enough and it is highly recommended that the compressed air is treated in the compressor room to a level that will provide general purpose air to the site and also protect the distribution piping.

Point of use purification should also be employed, not only to remove any contamination remaining in the distribution system, but also with specific attention on the quality of air required by each application. This approach to system design ensures that air is not “over treated” and provides the most cost effective solution to high quality compressed air.



For inventory, lead times, and kit lookup, visit www.pdnplu.com

A

Product Index
Engineering Data

Product Index

Product Selection Guide

Engineering Data

Up to 99% of the total liquid contamination found in a compressed air system is water.

Oil is perceived to cause the most problems as it is seen emanating from open drain points and exhausting valves, however, in the majority of instances, it is actually oily condensate (oil mixed with water) that is being observed.

How much water can be found in a typical compressed air system?

The amount of water in a compressed air system is staggering. A small 100 scfm (2.8m³/min) compressor and refrigeration dryer combination, operating for 4,000 hours in typical climatic conditions can produce approximately 2,200 gallons (8,328 liters) of liquid condensate per year.

If the compressor is oil lubricated with a typical 2ppm (2 mg/m³) oil carryover, then although the resulting condensate would visually resemble oil, oil would in fact account for less than 0.1% of the overall volume and it is this resemblance to oil to which a false association is made.

The example above assumes uses a small compressor to highlight the large volume of condensate produced. If a compressed air system was operated in warmer, more humid climates, or with larger compressors installed, running for longer periods, the volume of condensate would increase significantly.

Contamination and types of compressors

It is often believed that the level of compressed air purification equipment required in a system is dependent upon the type of compressor used. Contamination in a compressed air system originates from many sources and is not related solely to the compressor or it's lubricants. No matter what compressor type is selected, adequate filtration and separation products will be required to remove the large volume of dirty contaminated water as well as the dirt, rust, pipescale and microbiological contamination in the system.

Preventative maintenance provides you with the following benefits:

- Lowest operating costs
- Superior compressed air quality
- Continued protection of downstream equipment and processes
- Peace of mind

Compressed air and it's purification

Having identified the different types of contamination that can be found within a compressed air system, we can now examine the purification technologies available for it's removal.

Particle and coalescing filters

Coalescing filters are probably the most important items of purification equipment in any compressed air system. They are designed to remove oil and water aerosols using mechanical filtration techniques and have the additional benefit of removing solid particulate to very low levels (as small as 0.01 micron in size). Installed in pairs, most users believe one to be an oil removal filter and the other to be a particulate filter, when in fact, the pair of filters both perform the same function. The first filter, a general purpose filter is used to protect the high efficiency filter against bulk contamination. This "dual filter" installation ensures a continuous supply of high quality compressed air with low operational costs and minimal maintenance time.

Bulk liquid removal high efficiency water separators

Used to protect filters in systems where excessive cooling takes place in distribution piping. Water Separators will remove in excess of 98% of bulk liquid contamination through centrifugal separation techniques.

Refrigeration dryers

Refrigeration dryers work by cooling the air, so are limited to positive pressure dewpoint ratings to prevent freezing of the condensed liquid. Ideal for general purpose applications, they typically provide pressure dewpoints of 38°F (3°C), 45°F (7°C) or 50°F (10°C) pdp. Air is reheated before it re-enters the system to prevent piping from "sweating" in humid conditions. Refrigeration dryers are not suitable for installations where piping is installed in ambient temperatures below the dryer dewpoint i.e. systems with external piping.

Adsorption (desiccant) dryers

Water vapor is water in a gaseous form and is removed from compressed air using a dryer, with dryer performance being measured as pressure dewpoint. Adsorption or desiccant dryers remove moisture by passing air over a regenerative adsorbent material which strips the moisture from the air. This type of dryer is extremely efficient and typical pressure dewpoint ratings are -40°F (-40°C) or -100°F (-70°C) pdp. This means that for water vapor to condense into a liquid, the air temperature would have to drop below -40°F (-40°C) to -100°F (-70°C) respectively (the actual air temperature after an adsorption dryer is not the same as it's dewpoint).

Beneficially, a pressure dewpoint of -15°F (-26°C) or better will not only prevent corrosion, but will also inhibit the growth of microorganisms within the compressed air system.

Important note regarding compressed air dryers

As adsorption and refrigeration dryers are designed to remove only water vapor and not water in a liquid form, they require the use of particulate and coalescing filters, and possibly a bulk liquid separator to work efficiently.

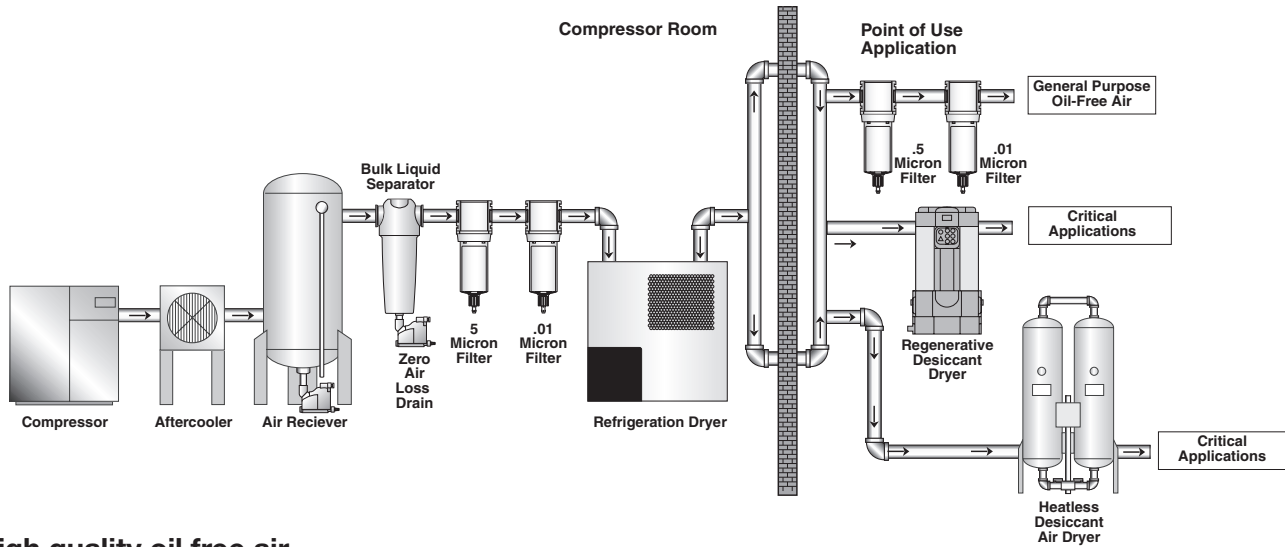


General purpose oil free air

Bulk contamination is removed to an adequate level prior to the air entering the distribution system. Point of use particulate filter(s) are used for removal of contamination within the distribution system. Point of use adsorption dryer installed where lower dewpoints are required.

Typical applications

- Plant automation
- Air logistics
- Pneumatic tools
- General instrumentation
- Air conveying
- Air motors
- Temperature control systems
- Blow guns
- Gauging equipment
- Raw material mixing
- Sand / bead blasting

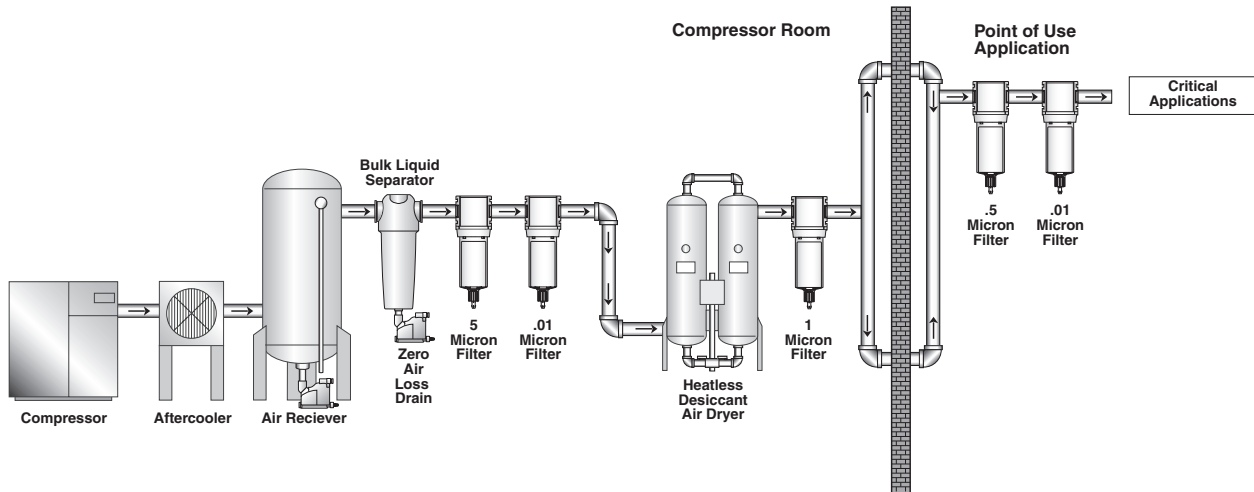


High quality oil free air

Bulk contamination is removed to an adequate level prior to the air entering the distribution system. Point of use particulate filter(s) are used for removal of contamination within the distribution system. Adsorption dryers are used for critical applications where lower dewpoints are required.

Typical applications

- Blow molding of plastics e.g. P.E.T. bottles
- Film processing
- Critical instrumentation
- Advanced pneumatics
- Air blast circuit breakers
- Decompression chambers
- Cosmetic production
- Medical air
- Dental air
- Lasers and optics
- Robotics
- Spray painting
- Air bearings
- Pipeline purging
- Measuring equipment



A

Product Index
 Engineering Data

Product Index

Product Selection Guide

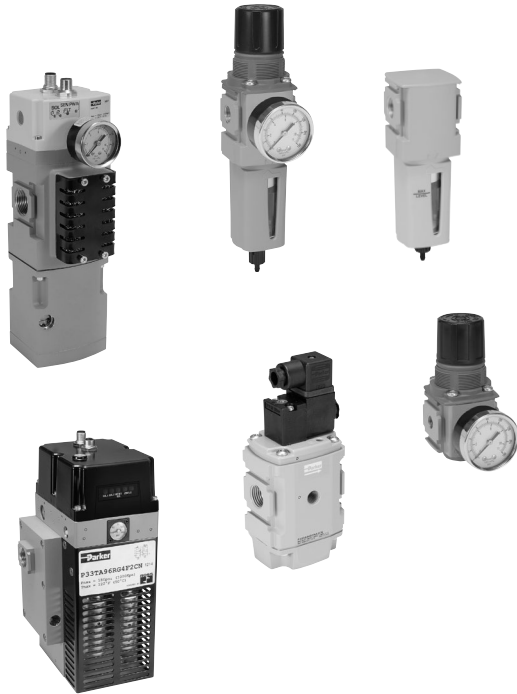
Engineering Data

A

**Product Index
Engineering Data**



For inventory, lead times, and kit lookup, visit www.pdnplu.com



Air Preparation Products
Global Air Preparation Series

| | |
|---------------------------------|---------|
| Introduction | B2-B7 |
| Particulate Filters | B8-B13 |
| Coalescing Filters | B14-B19 |
| Regulators | B20-B31 |
| Proportional Regulators | B32-B41 |
| Filter / Regulators | B42-B49 |
| Lubricators | B50-B55 |
| Combinations | B56-B59 |
| Dump Valves / Soft Start Valves | B60-B65 |
| Safety Exhaust Valve | B66-B69 |
| Redundant Safety Exhaust Valve | B70-B73 |
| Accessories | B74-B84 |

| |
|------------------------|
| B |
| Global Air Preparation |
| Introduction |
| Filters |
| Coalescers |
| Regulators |
| Filter / Regulators |
| Lubricators |
| Combinations |
| Accessories and Kits |



DECLARATION OF COMPLIANCE (ROHS)

European Directive 2011/65/EU – RoHS (Restriction us of certain Hazardous Substances in electrical and electronic equipment), restricts the use of the 6 substances in the manufacture of specified electrical equipment.

- Lead:** Product containing lead and its compound (except for applications of lead as an alloying element by weight in steel up to 0.35%, in aluminium up to 0.4% and in copper alloys up to 4% and in circuit board solder) must not exceed 0.1% by weight
- Mercury:** The concentration level must not exceed 0.1% by volume
- Cadmium:** The concentration level must not exceed 0.01% by volume
- Hexavalent Chromioui:**
This is a corrosive protective finish used on our product line. Where this finish is utilized the Chromate solution is Hexavalent (Chrome 6) free.
- Polybrominated Biphenyls (PBB):**
The concentration level must not exceed 0.1% by weight. This substance is not know to be in any of our products.
- Polybrominated Diphenyl Esters (PBDE):**
The concentration level must not exceed 0.1% by weight. This substance is not know to be in any of our products.



Global Air Preparation products supplied by Parker Hannifin have been designed and manufactured in accordance with “sound engineering practice”, as defined by Article 3 of Pressure Equipment Directive 97/23/EC.



Global Air Preparation product range is in compliance with REACH to ensure continued compliance additions to the list of SVHC (Substance of Very High Concern) are reviewed periodically.

Global Air Preparation product range has been third party Shock & Vibration tested independently in accordance to EN 61373 : 1999, Category 2



Following Ignition Hazard Assessments performed on the non-electrical Global Air Preparation products they are in accordance with the requirements of EN 13463-1:2009, it was considered that the equipment does not contain its own source of ignition, and therefore is not within the scope of directive 94/9/EC.

The products can be used in a Group II Category 2 environment assuming that the ATEX Directive and the following conditions are complied with:

- Installation and maintenance of the product must be undertaken by qualified personnel.
- Do not mount the products in an area where impact may occur.
- Filters must be used to limit the introduction of particles and to capture particles generated in service.
- Supply air quality must be within ISO 8573-1:2010 Class 1.4.2.
- Maximum working temperature to be as stated on product label.
- WARNING – pulsating pressure and/or a closed circuit can generate heat.
- Deposits of dust on the product must not exceed 5mm thickness.
Refer to technical file for surface areas of plastics. The unit must be earthed via the compressed air supply line.
- The unit must not come into contact with liquid solvents, acids or alkalis
Refer to technical file for chemicals known to be incompatible. Product cleaning must be undertaken using a method complying with the specifications of the ATEX zone, preferably by using mild soap and water or antistatic products.
- Regulators, Filter Regulators:
Do not use Regulators or Filter Regulators within systems that can create vibration within the Regulator / Filter Regulator unit.
- Solenoid Operated Valves:
Are suitable for use in an ATEX environment, (Group II Category 2) providing ATEX approved solenoids are fitted.
- Technical file available on request.



Global Air Preparation product range has been designed and tested in accordance with ISO flow testing, envelope integrity, and catalog data presented.

- Filters – ISO 5782-1 & ISO 5782-2: 1997
- Regulators- ISO 6953-1 & ISO 6953-2: 2000
- Lubricators- ISO 6301-1 & ISO 6301-2: 2009



For inventory, lead times, and kit lookup, visit www.pdnplu.com

Parker Global Air Preparation System

**Global.
Modular.**



*Performance you need,
wherever you need it.*



Full featured particulate and coalescing filters, regulators, filter/regulators, and lubricators are available with a wide range of standard options to meet air preparation needs.

The comprehensive Global Air Preparation System is available in three body sizes with either BSPP, BSPT, or NPT to accommodate thread type requirements.

Individual units can easily be assembled into various combinations, utilizing patented modular lightweight body connectors.

www.parker.com/globalfrl

B

Global Air Preparation

Introduction

Filters

Coalescers

Regulators

Filter/
Regulators

Lubricators

Combinations

Accessories
and Kits



For inventory, lead times, and kit lookup, visit www.pdnplu.com

B3

Parker Hannifin Corporation
Pneumatic Division
Richland, Michigan
www.parker.com/pneumatics

A completely modular air preparation system

B

Global Air
Preparation

Introduction

Filters

Coalescers

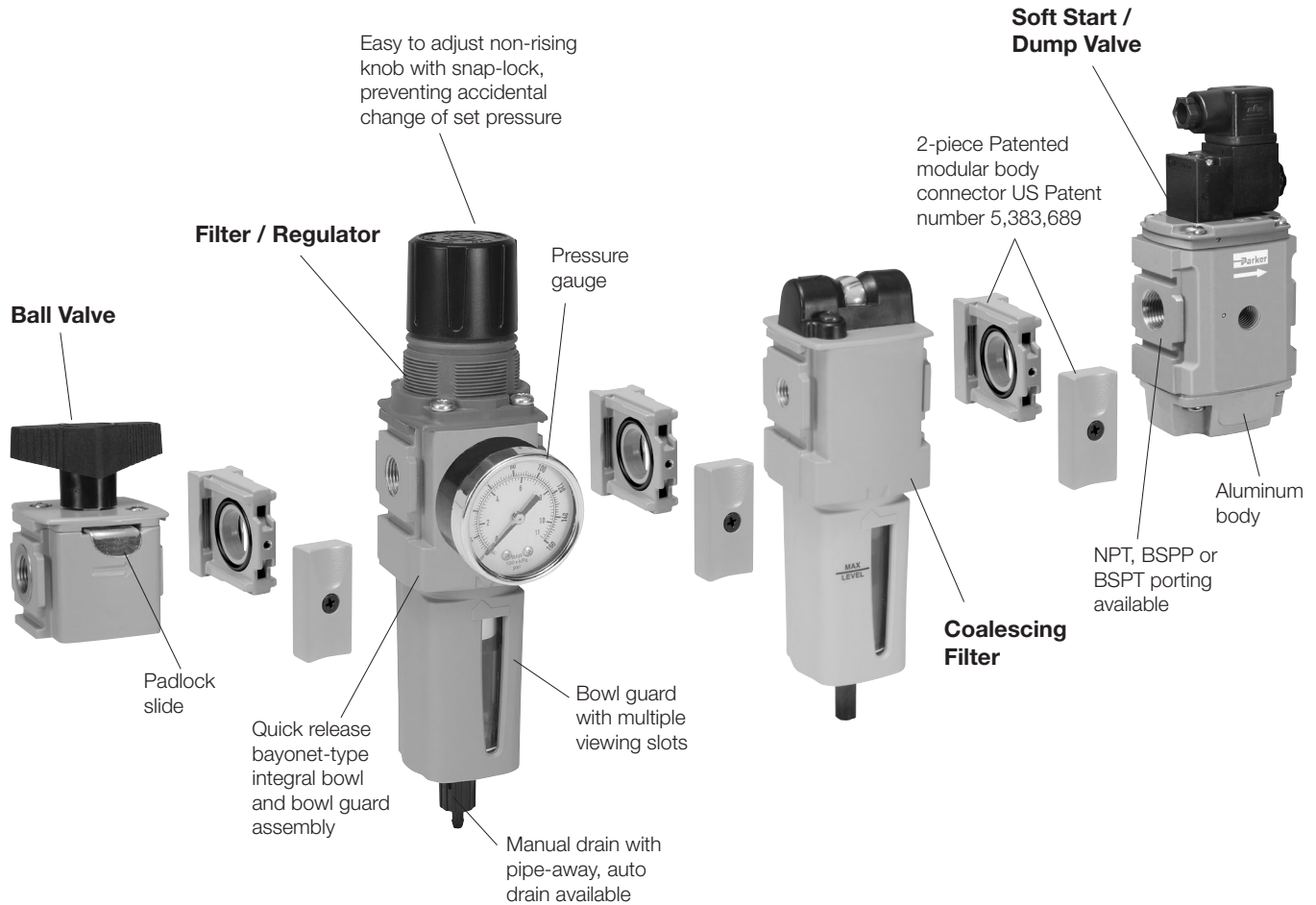
Regulators

Filter /
Regulators

Lubricators

Combinations

Accessories
and Kits



For inventory, lead times, and kit lookup, visit www.pdnplu.com

B4

Parker Hannifin Corporation
Pneumatic Division
Richland, Michigan
www.parker.com/pneumatics

Comprehensive Offering



P31 Mini Series
1/4" ports
40mm body width



P32 Compact Series
1/4", 3/8" and 1/2"
60mm body width



P33 Standard Series
1/2" and 3/4"
73mm body width



Filters

- 5 μ particulate, 1.0 μ and 0.01 μ coalescing, and adsorber available as standard
- Transparent or metal bowl with manual or auto float drains standard



Regulators

- Available as stand alone, common port and electronic proportional
- Both relieving and non-relieving versions available



Filter / Regulators

- Compact design for space savings
- Available with all the same standard options as the filters and regulators



Lubricators

- Proportional oil delivery over a wide range of air flows
- Fill under pressure



Combinations

- Compact design for space savings
- Easily assembled
- Many configurations available



Accessories

- Solenoid operated soft start, quick dump, and soft start/quick dump valves
- Manifold blocks
- Ball style lockout / shutoff valve
- Repair kits, gauges, etc.



For inventory, lead times, and kit lookup, visit www.pdnplu.com

Air Preparation

P31 Mini Series

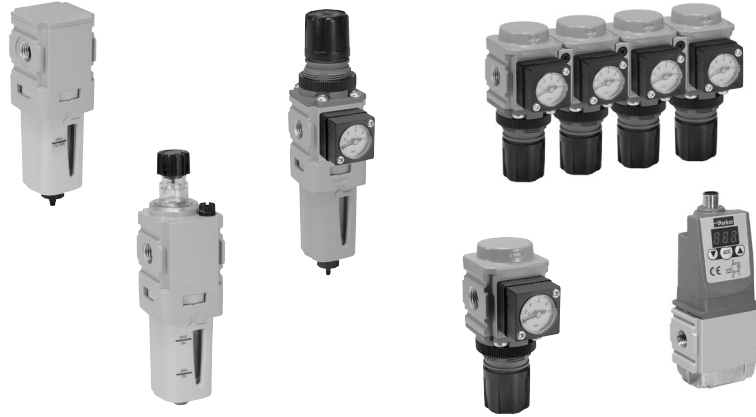
40mm body width

1/4" Ported

| Flows up to: | scfm | (dm ³ /s, ANR) |
|------------------|------|---------------------------|
| Filter | 25 | (12) |
| Coalescer | 7.5 | (3.6) |
| Regulator | 68 | (32) |
| Filter/Regulator | 22 | (10) |
| Lubricator | 52 | (25) |

Features:

- Space saving integral gauge
- Manifold style regulators available
- OSHA compliant shut-off valves
- Soft-Start & Quick Dump valves
- Electronic Proportional Regulator



P32 Compact Series

60mm body width

1/4", 3/8", & 1/2" Ported

| Flows up to: | scfm | (dm ³ /s, ANR) |
|------------------|------|---------------------------|
| Filter | 82 | (39) |
| Coalescer | 36 | (17) |
| Regulator | 165 | (78) |
| Filter/Regulator | 136 | (64) |
| Lubricator | 90 | (42) |

Features:

- Manifold style regulators available
- OSHA Compliant shut-off valves
- Soft-Start & Quick Dump valves
- Electronic Proportional Regulator



P33 Standard Series

73mm body width

1/2" & 3/4" Ported

| Flows up to: | scfm | (dm ³ /s, ANR) |
|------------------|------|---------------------------|
| Filter | 85 | (40) |
| Coalescer | 72 | (34) |
| Regulator | 233 | (111) |
| Filter/Regulator | 230 | (108) |
| Lubricator | 150 | (71) |

Features:

- OSHA Compliant shut-off valves
- Soft-Start & Quick Dump valves (Utilizes P32 size only)
- Electronic proportional regulator (Utilizes P32 size only)



B

Global Air Preparation

Introduction

Filters

Coalescers

Regulators

Filter / Regulators

Lubricators

Combinations

Accessories and Kits

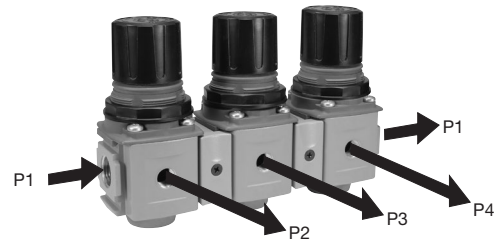


For inventory, lead times, and kit lookup, visit www.pdnplu.com

Complete Pneumatic System

Common Port Manifold Regulators

- Multiple output pressures (P2, P3, P4, etc.) with common inlet (P1)
- Available in two sizes P31 and P32
- Balanced valve design for accurate pressure regulation
- Outlet pressure ports in front and rear of unit.
- Multiple spring ranges available



Electronic Proportional Regulator

- Electro-Pneumatic regulator
- Integrated systems control
- Accurate output pressure
- Micro parameter settings
- Selectable I/O parameters
- Quick, full flow exhaust
- LED display indicates output pressure
- No air consumption in steady state
- Multiple mounting options
- Protection to IP65



P31P Mini Series



P32P Compact Series

Semi Precision Regulator and Filter/Regulator

- Available in P32 compact series
- Fine adjustment sensitivity
- Good repeatability and minimal pressure drop
- Good flow capacity
- Light gray knob for easy identification



Optional Tamperproof Kits

- One facilitates the permanent tamperproofing of the Regulator and Filter/Regulator units
- Hinged black part clamps over control knob and is locked in place after sliding yellow cover over it
- Other allows for removable lockout/tagout tamperproofing
 - Four pad lock location holes tagout
 - Hinged locking clamp secures over existing knob via yellow cover which is slid over into place



Additional Options P32 Only (Consult factory for availability)

- T-Handle
- Preset
- Preset and Tamperproof
- Pressure Limiter



B

Global Air Preparation

Introduction

Filters

Coalescers

Regulators

Filter/Regulators

Lubricators

Combinations

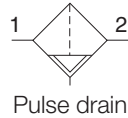
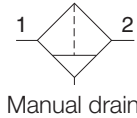
Accessories and Kits



For inventory, lead times, and kit lookup, visit www.pdnplu.com

P31 Particulate Filter – Mini

- Integral 1/4" ports (NPT, BSPP & BSPT)
- High efficiency 5 micron element as standard
- Excellent water removal efficiency
- Robust but lightweight aluminum construction
- One hand operation for easy element cartridge removal
- Positive bayonet latch to ensure correct & safe fitting



Operating information

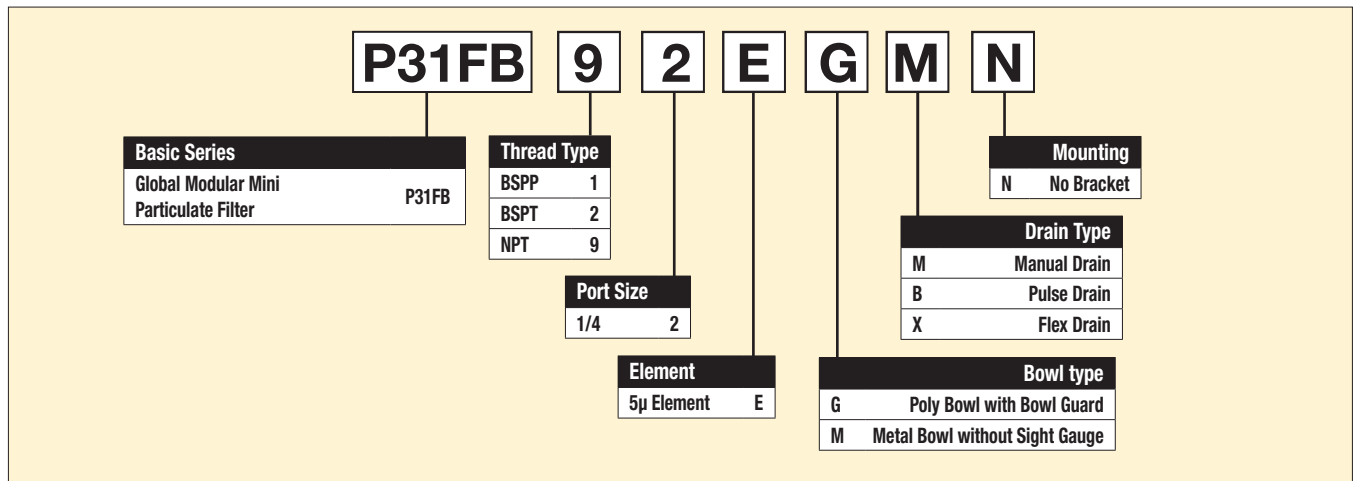
| | |
|--|--------------------------------------|
| Supply pressure (max): | |
| Plastic bowl | 150 psig (10 bar) |
| Metal bowl | 250 psig (17 bar) |
| Operating temperature: | |
| Plastic bowl | 14°F to 125°F (-10°C to 52°C) |
| Metal bowl | 14°F to 150°F (-10°C to 65.5°C) |
| Standard filtration: | 5 micron |
| Flow capacity*: | 25 scfm (12 dm ³ /s, ANR) |
| Useful retention†: | 0.4 US oz. (12 cm ³) |
| Weight: | 0.24 lb (0.11 kg) |
| * Inlet pressure 91.3 psig (6.3 bar). Pressure drop 4.9 psig (0.34 bar). | |
| † Useful retention refers to volume below the quiet zone baffle. | |

| Port Size | Description † | Part Number |
|-----------|--------------------------|--------------------|
| 1/4" | Poly Bowl, Manual Drain | P31FB92EGMN |
| 1/4" | Poly Bowl, Pulse Drain | P31FB92EGBN |
| 1/4" | Metal Bowl, Manual Drain | P31FB92EMMN |
| 1/4" | Metal Bowl, Pulse Drain | P31FB92EMBN |

† For polycarbonate bowl, see caution in Engineering Section A.

Air quality:
 Within ISO 8573-1: 1991 Class 3 (Particulates)
 Within ISO 8573-1: 2001 Class 6 (Particulates)

Ordering information:



Most popular.



For inventory, lead times, and kit lookup, visit www.pdnplu.com

B
 Global Air Preparation
 Introduction
 Filters
 Coalescers
 Regulators
 Filter / Regulators
 Lubricators
 Combinations
 Accessories and Kits

Mini Particulate Filters

Material Specifications

| | |
|------------------|-----------------------|
| Body | Aluminum |
| Body cap | ABS |
| Plastic bowl | Polycarbonate |
| Metal bowl | Aluminum |
| Bowl guard | Nylon |
| Element retainer | Acetal |
| Baffle | Acetal |
| Filter element | Sintered polyethylene |
| Seals | Nitrile |

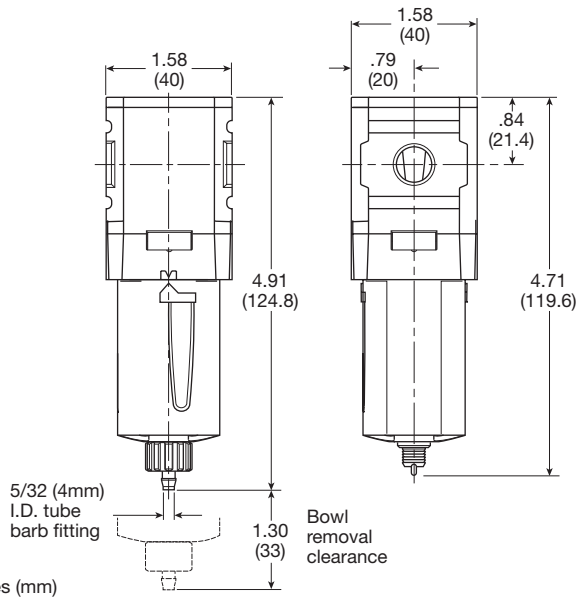
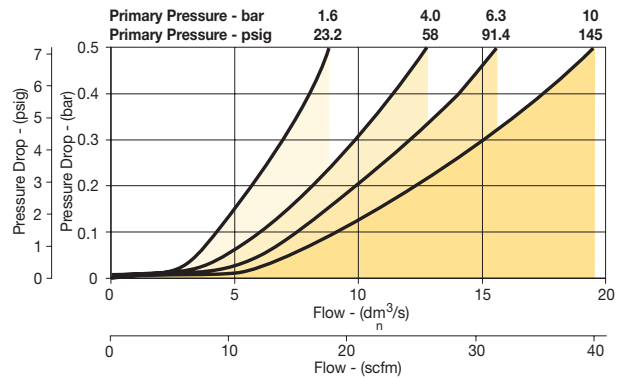
Repair and Service Kits

| | |
|--|-------------------|
| Plastic bowl / bowl guard, manual drain | P31KB00BGM |
| Metal bowl / w/o sight gauge, manual drain | P31KB00BMM |
| Plastic bowl / bowl guard, pulse drain | P31KB00BGB |
| Metal bowl / w/o sight gauge, pulse drain | P31KB00BMB |
| 5µ particle filter element | P31KA00ESE |
| C-bracket (fits to body) | P31KA00MW |
| T-bracket with body connector | P31KA00MT |
| Body connector | P31KA00CB |

Air Preparation Products Global Air Preparation

Flow Charts

P31FB 1/4" Filter



Manual Drain

Pulse Drain

B

Global Air Preparation

Introduction

Filters

Coalescers

Regulators

Filter/Regulators

Lubricators

Combinations

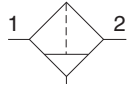
Accessories and Kits



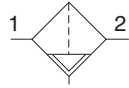
For inventory, lead times, and kit lookup, visit www.pdnplu.com

P32 Particulate Filter – Compact

- Integral 1/4", 3/8" or 1/2" ports (NPT, BSPP & BSPT)
- High efficiency 5 micron element as standard
- Excellent water removal efficiency
- Robust but lightweight aluminum construction
- Positive bayonet latch to ensure correct & safe fitting



Manual drain



Auto drain

| Port Size | Description † | Part Number |
|-----------|--------------------------|--------------------|
| 1/4" | Poly Bowl, Manual Drain | P32FB92EGMN |
| 1/4" | Poly Bowl, Auto Drain | P32FB92EGAN |
| 1/4" | Metal Bowl, Manual Drain | P32FB92ESMN |
| 1/4" | Metal Bowl, Auto Drain | P32FB92ESAN |
| 3/8" | Poly Bowl, Manual Drain | P32FB93EGMN |
| 3/8" | Poly Bowl, Auto Drain | P32FB93EGAN |
| 3/8" | Metal Bowl, Manual Drain | P32FB93ESMN |
| 3/8" | Metal Bowl, Auto Drain | P32FB93ESAN |
| 1/2" | Poly Bowl, Manual Drain | P32FB94EGMN |
| 1/2" | Poly Bowl, Auto Drain | P32FB94EGAN |
| 1/2" | Metal Bowl, Manual Drain | P32FB94ESMN |
| 1/2" | Metal Bowl, Auto Drain | P32FB94ESAN |

† For polycarbonate bowl, see caution in Engineering Section A.

Operating information

| | |
|--|--------------------------------------|
| Supply pressure (max): | |
| Plastic bowl | 150 psig (10 bar) |
| Metal bowl | 250 psig (17 bar) |
| Operating temperature: | |
| Plastic bowl | -13°F to 125°F (-25°C to 52°C) |
| Metal bowl | -13°F to 150°F (-25°C to 65.5°C) |
| Standard filtration: | 5 micron |
| Flow capacity*: | |
| 1/4" | 50 scfm (24 dm ³ /s, ANR) |
| 3/8" | 78 scfm (37 dm ³ /s, ANR) |
| 1/2" | 82 scfm (39 dm ³ /s, ANR) |
| Useful retention†: | 1.7 US oz. (51 cm ³) |
| Weight: | 0.62 lb (0.28 kg) |
| * Inlet pressure 91.3 psig (6.3 bar). Pressure drop 4.9 psig (0.34 bar). | |
| † Useful retention refers to volume below the quiet zone baffle. | |

Air quality:
 Within ISO 8573-1: 1991 Class 3 (Particulates)
 Within ISO 8573-1: 2001 Class 6 (Particulates)

Ordering Information:

P32FB 9 2 E G M N

| | | | | | | |
|---|---|---|--------------------------------|---------------------------------|---|--|
| Basic Series Global Modular Compact Particulate Filter P32FB | Thread Type BSPP 1 BSPT 2 NPT 9 | Port Size 1/4 2 3/8 3 1/2 4 | Element 5µ Element E | Mounting N No Bracket | Drain Type M Manual Drain A Auto Drain X Flex Drain | Bowl Type G Poly Bowl with Bowl Guard M Metal Bowl without Sight Gauge S Metal Bowl with Sight Gauge |
|---|---|---|--------------------------------|---------------------------------|---|--|

Most popular.



For inventory, lead times, and kit lookup, visit www.pdnplu.com

B Global Air Preparation
 Introduction
 Filters
 Coalescers
 Regulators
 Filter / Regulators
 Lubricators
 Combinations
 Accessories and Kits

Compact Particulate Filters

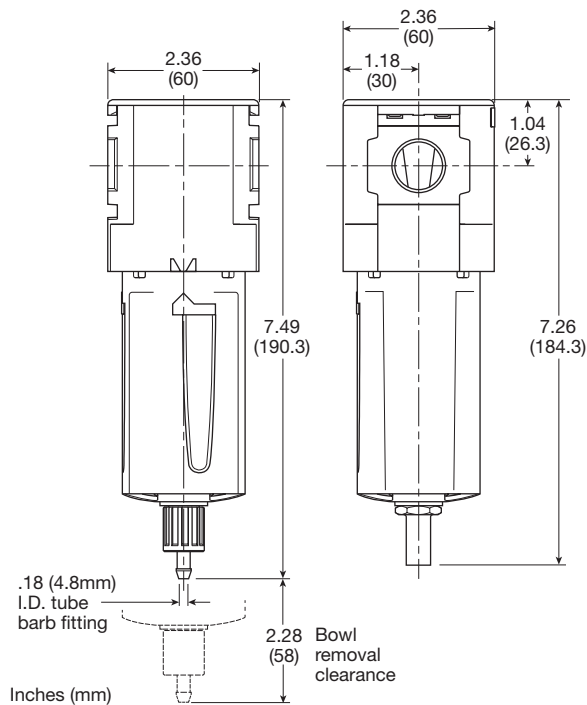
Air Preparation Products Global Air Preparation

Material Specifications

| | |
|---------------------------|-----------------------|
| Body | Aluminum |
| Bowl cap | ABS |
| Plastic bowl | Polycarbonate |
| Metal bowl | Aluminum |
| Bowl guard | Nylon |
| Deflector | Polypropylene |
| Element retainer / Baffle | Acetal |
| Filter element | Sintered polyethylene |
| Seals | Nitrile |
| Sight gauge | Nylon |

Repair and Service Kits

| | |
|---|-------------------|
| Plastic bowl / bowl guard, manual drain | P32KB00BGM |
| Metal bowl / sight gauge, manual drain | P32KB00BSM |
| Auto drain | P32KA00DA |
| 5µ particle filter element | P32KA00ESE |
| L-bracket (fits to body) | P32KA00ML |
| T-bracket (fits to body connector) | P32KA00MB |
| T-bracket with body connector | P32KA00MT |
| Body connector | P32KA00CB |

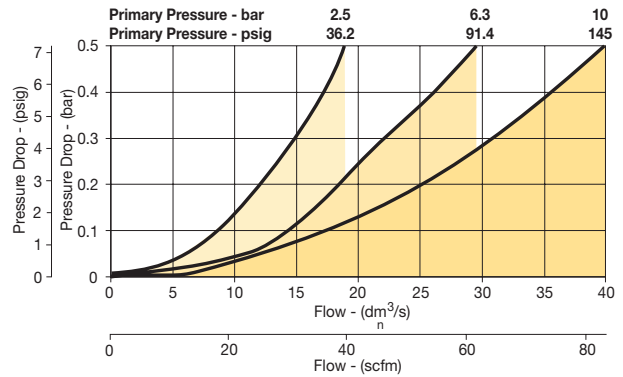


Manual Drain

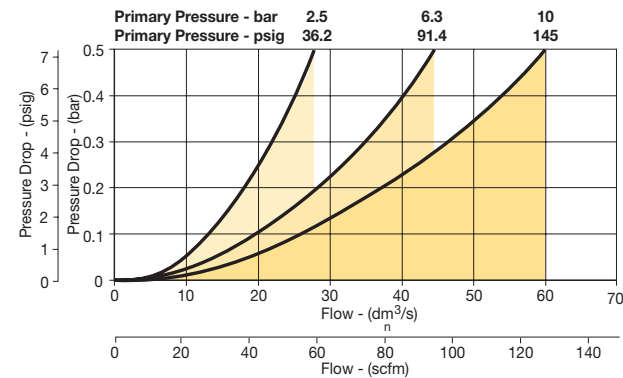
Automatic Drain

Flow Charts

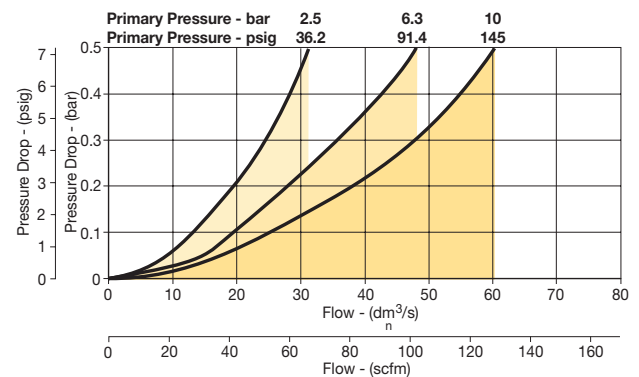
P32FB 1/4" Filter



P32FB 3/8" Filter



P32FB 1/2" Filter



B

Global Air Preparation

Introduction

Filters

Coalescers

Regulators

Filter/Regulators

Lubricators

Combinations

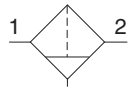
Accessories and Kits



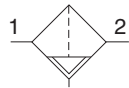
For inventory, lead times, and kit lookup, visit www.pdnplu.com

P33 Particulate Filter – Standard

- Integral 1/2" or 3/4" ports (NPT, BSPP & BSPT)
- High efficiency 5 micron element as standard
- Excellent water removal efficiency
- Robust but lightweight aluminum construction
- Positive bayonet latch to ensure correct & safe fitting



Manual drain



Auto drain

| Port Size | Description † | Part Number |
|-----------|--------------------------|--------------------|
| 1/2" | Poly Bowl, Manual Drain | P33FA94EGMN |
| 1/2" | Poly Bowl, Auto Drain | P33FA94EGAN |
| 1/2" | Metal Bowl, Manual Drain | P33FA94ESMN |
| 1/2" | Metal Bowl, Auto Drain | P33FA94ESAN |
| 3/4" | Poly Bowl, Manual Drain | P33FA96EGMN |
| 3/4" | Poly Bowl, Auto Drain | P33FA96EGAN |
| 3/4" | Metal Bowl, Manual Drain | P33FA96ESMN |
| 3/4" | Metal Bowl, Auto Drain | P33FA96ESAN |

† For polycarbonate bowl, see caution in Engineering Section A.

Operating information

| | |
|--|---|
| Supply pressure (max): | |
| Plastic bowl | 150 psig (10 bar) |
| Metal bowl | 250 psig (17 bar) |
| Operating temperature: | |
| Plastic bowl | -13°F to 125°F (-25°C to 52°C) |
| Metal bowl | -13°F to 150°F (-25°C to 65.5°C) |
| Standard filtration: | 5 micron |
| Flow capacity*: | 1/2 85 scfm (40 dm ³ /s, ANR) |
| | 3/4 102 scfm (48 dm ³ /s, ANR) |
| Useful retention†: | 2.8 US oz. (85 cm ³) |
| Weight: | 1.01 lb (0.46 kg) |
| * Inlet pressure 91.3 psig (6.3 bar). Pressure drop 4.9 psig (0.34 bar). | |
| † Useful retention refers to volume below the quiet zone baffle. | |

Air quality:
 Within ISO 8573-1: 1991 Class 3 (Particulates)
 Within ISO 8573-1: 2001 Class 6 (Particulates)

Ordering Information:

P33FA 9 6 E G M N

| | | | | | | |
|--|---|------------------------------------|--------------------------------|---|---------------------------------|--|
| Basic Series Global Modular Standard Particulate Filter P33FA | Thread Type BSPP 1 BSPT 2 NPT 9 | Port Size 1/2 4 3/4 6 | Element 5µ Element E | Drain Type M Manual Drain A Auto Drain | Mounting N No Bracket | Bowl Type G Poly Bowl with Bowl Guard M Metal Bowl without Sight Gauge S Metal Bowl with Sight Gauge |
|--|---|------------------------------------|--------------------------------|---|---------------------------------|--|

Most popular.



For inventory, lead times, and kit lookup, visit www.pdnplu.com

B
 Global Air Preparation
 Introduction
 Filters
 Coalescers
 Regulators
 Filter / Regulators
 Lubricators
 Combinations
 Accessories and Kits

Standard Particulate Filters

Air Preparation Products Global Air Preparation

Material Specifications

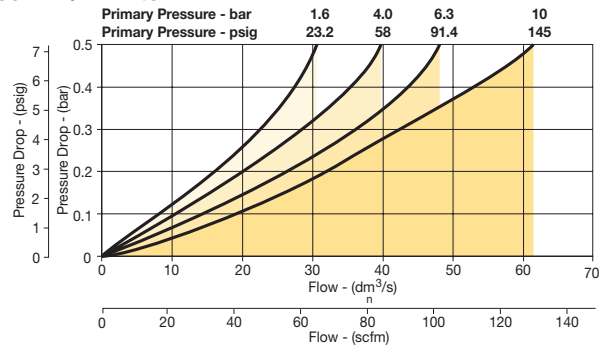
| | |
|---------------------------|-----------------------|
| Body | Aluminum |
| Body cap | ABS |
| Plastic bowl | Polycarbonate |
| Metal bowl | Aluminum |
| Bowl guard | Nylon |
| Deflector | Polypropylene |
| Element retainer / Baffle | Acetal |
| Filter element | Sintered polyethylene |
| Seals | Nitrile |
| Sight gauge | Nylon |

Repair and Service Kits

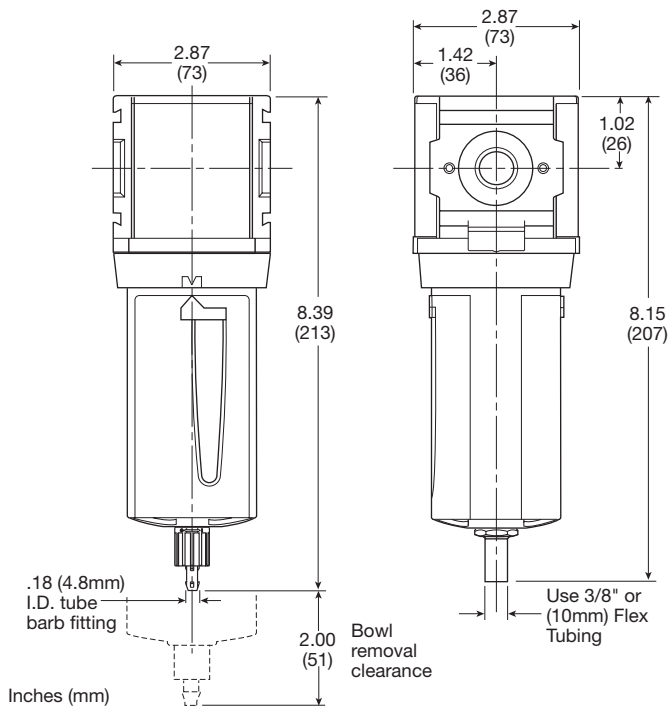
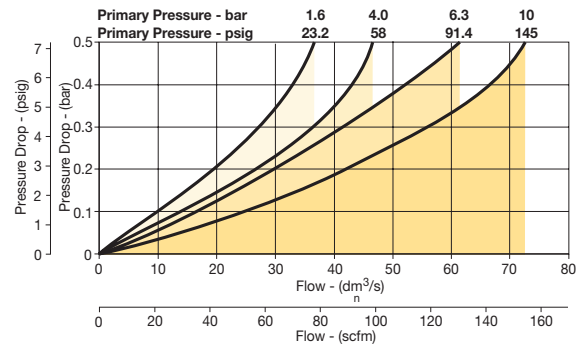
| | |
|---|-------------------|
| Plastic bowl / bowl guard, manual drain | P33KA00BGM |
| Metal bowl / sight gauge, manual drain | P33KA00BSM |
| Auto drain | P32KA00DA |
| 5µ particle filter element | P33KA00ESE |
| L-bracket (fits to body) | P33KA00ML |
| T-bracket (fits to body connector) | P32KA00MB |
| T-bracket with body connector | P33KA00MT |
| Body connector | P32KA00CB |

Flow Charts

P33FA 1/2" Filter



P33FA 3/4" Filter



Manual Drain

Automatic Drain

| |
|------------------------|
| B |
| Global Air Preparation |
| Introduction |
| Filters |
| Coalescers |
| Regulators |
| Filter/Regulators |
| Lubricators |
| Combinations |
| Accessories and Kits |



For inventory, lead times, and kit lookup, visit www.pdnplu.com

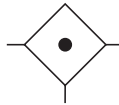
P31 Coalescing and Adsorber Filters – Mini

- Integral 1/4" ports (NPT, BSPP & BSPT)
- Removes liquid aerosols and sub micron particles
- Oil free air for critical applications, such as air gauging, pneumatic instrumentation and control
- Differential Pressure Indicator (DPI) standard on coalescing filters
- Positive bayonet latch to ensure correct and safe fitting
- Adsorbing activated carbon element removes oil vapors and most hydrocarbons



Note: To optimize the life of coalescing element, it is advisable to install a P31F pre-filter with a 5 micron element upstream of the coalescing filter.

To optimize the life of an Adsorber it is advisable to install a P31 Coalescing Filter upstream of the Adsorber. Adsorber element should be replaced approximately every 1000 hours of service.



| Port Size | Description † | Element | Part Number |
|-----------|--------------------------|-------------|--------------------|
| 1/4" | Poly Bowl, Manual Drain | 0.01 micron | P31FB92DGMN |
| 1/4" | Poly Bowl, Pulse Drain | 0.01 micron | P31FB92DGBN |
| 1/4" | Metal Bowl, Manual Drain | 0.01 micron | P31FB92DMMN |
| 1/4" | Metal Bowl, Pulse Drain | 0.01 micron | P31FB92DMBN |

† For polycarbonate bowl, see caution in Engineering Section A.

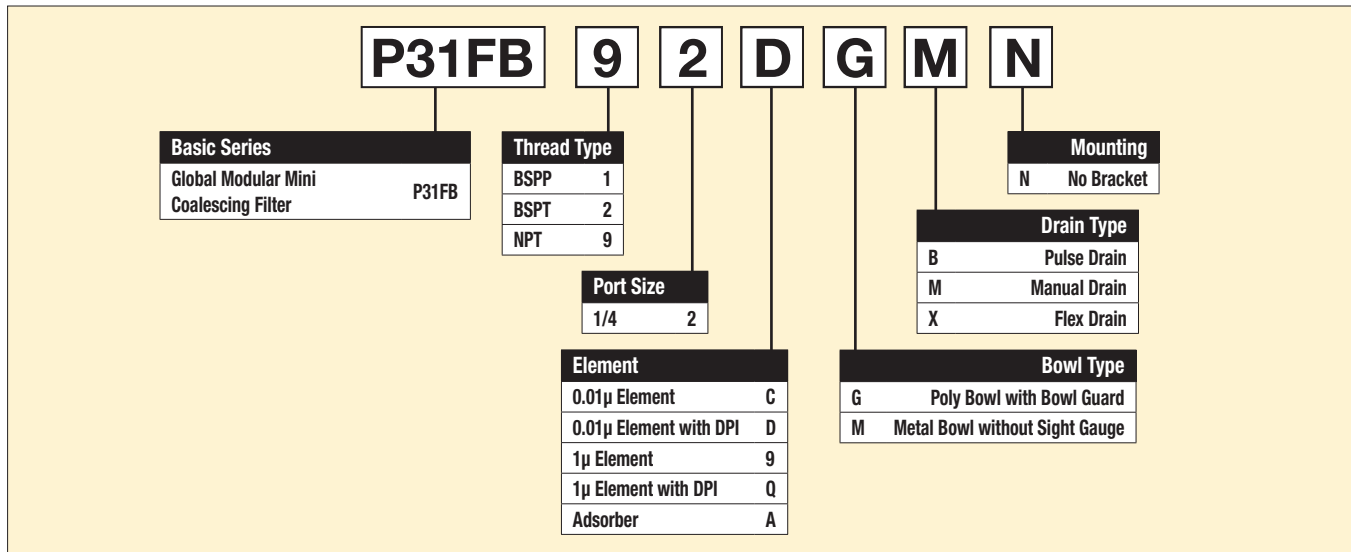
Operating information

| | |
|---------------------------|---|
| Supply pressure (max): | |
| Poly bowl | 150 psig (10 bar) |
| Metal bowl w/ DPI | 150 psig (10 bar) |
| Metal bowl w/o DPI | 250 psig (17 bar) |
| Operating temperature: | |
| Plastic bowl | 14°F to 125°F (-10°C to 52°C) |
| Metal bowl | 14°F to 150°F (-10°C to 65.5°C) |
| Standard filtration: | 1.0 and 0.01 micron |
| Adsorber | Max. oil carryover (ppm w/w) 0.003 @ 70°F (21°C) |
| Flow capacity*: | |
| 1.0 micron coalescing | 12 scfm (5.5 dm ³ /s, ANR) |
| 0.01 micron coalescing | 7.5 scfm (3.6 dm ³ /s, ANR) |
| Activated carbon adsorber | 12.7 scfm (6 dm ³ /s, ANR) |
| Useful retention†: | 0.4 US oz. (12 cm ³) |
| Weight: | 0.24 lb (0.11 kg) |

* Inlet pressure 91.3 psig (6.3 bar). Pressure drop 3 psig (0.2 bar), saturated element.

† Useful retention refers to volume below the quiet zone baffle.

Ordering Information:



Most popular.



For inventory, lead times, and kit lookup, visit www.pdnplu.com

Mini Coalescing and Adsorber Filters

Material Specifications

| | |
|------------------|--------------------|
| Body | Aluminum |
| Body cap | ABS |
| Plastic bowl | Polycarbonate |
| Metal bowl | Aluminum |
| Filter element | Borosilicate cloth |
| Adsorber element | Activated carbon |
| Seals | Nitrile |

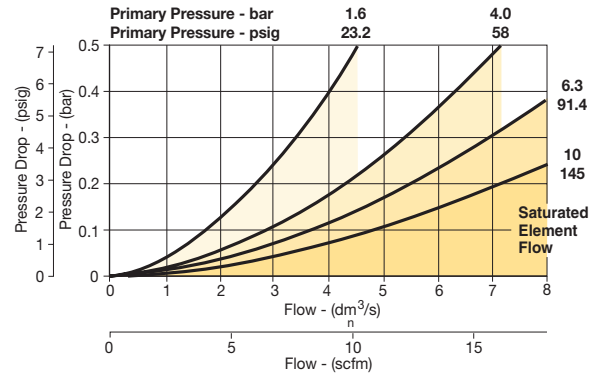
Repair and Service Kits

| | |
|---|-------------------|
| Plastic bowl / bowl guard, manual drain | P31KB00BGM |
| Metal bowl / w/o sight gauge ,manual drain | P31KB00BMM |
| Plastic bowl / bowl guard, pulse drain | P31KB00BGB |
| Metal bowl / w/o sight gauge, pulse drain | P31KB00BMB |
| 1 μ coalescing filter element | P31KA00ES9 |
| 0.01 μ coalescing filter element | P31KA00ESC |
| Activated carbon adsorber filter element | P31KA00ESA |
| C-bracket (fits to body) | P31KA00MW |
| T-bracket with body connector | P31KA00MT |
| Body connector | P31KA00CB |
| Differential pressure indicator (replacement) | P31KB00RQ |

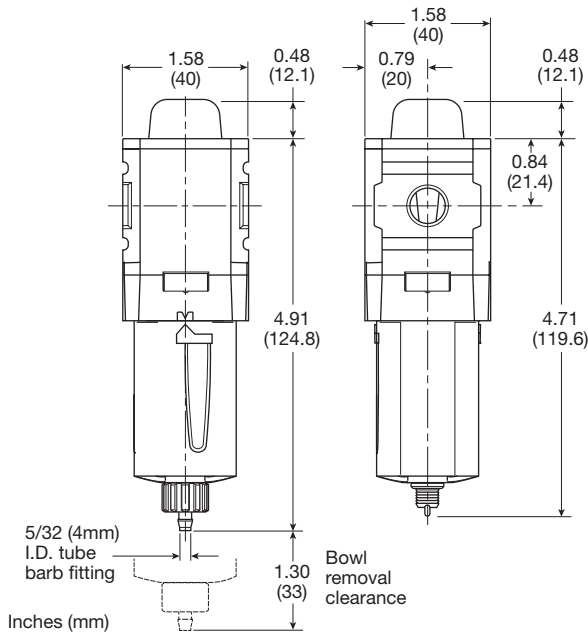
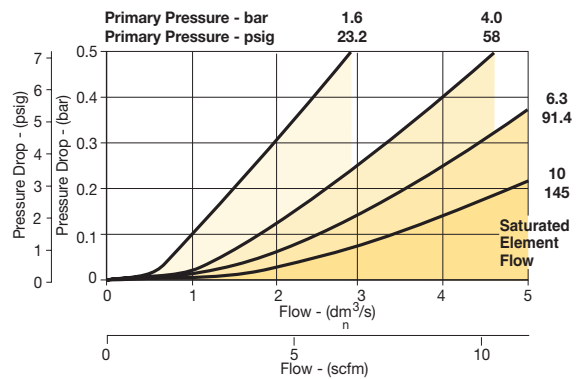
Air Preparation Products Global Air Preparation

Flow Charts

P31FB - 1.0 micron flow



P31FB - 0.01 micron flow



Manual Drain

Pulse Drain

B

Global Air Preparation

Introduction

Filters

Coalescers

Regulators

Filter/Regulators

Lubricators

Combinations

Accessories and Kits

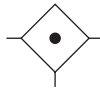


For inventory, lead times, and kit lookup, visit www.pdnplu.com

P32 Coalescing and Adsorber Filters – Compact

- Integral 1/4", 3/8" or 1/2" ports (NPT, BSPP & BSPT)
- Removes liquid aerosols and sub micron particles
- Oil free air for critical applications, such as air gauging, pneumatic instrumentation and control
- Differential Pressure Indicator (DPI) standard on Coalescing Filters
- Positive bayonet latch to ensure correct & safe fitting
- Adsorbing activated carbon element removes oil vapors and most hydrocarbons

Note: To optimize the life of coalescing element, it is advisable to install a P32F pre-filter with a 5 micron element upstream of the coalescing filter. To optimize the life of an Adsorber it is advisable to install a P32 Coalescing Filter upstream of the Adsorber. Adsorber element should be replaced approximately every 1000 hours of service.



| Port Size | Description † | Element | Part Number |
|-----------|--------------------------|-------------|--------------------|
| 1/4" | Poly Bowl, Manual Drain | 0.01 micron | P32FB92DGMN |
| 1/4" | Poly Bowl, Auto Drain | 0.01 micron | P32FB92DGAN |
| 1/4" | Metal Bowl, Manual Drain | 0.01 micron | P32FB92DSMN |
| 1/4" | Metal Bowl, Auto Drain | 0.01 micron | P32FB92DSAN |
| 3/8" | Poly Bowl, Manual Drain | 0.01 micron | P32FB93DGMN |
| 3/8" | Poly Bowl, Auto Drain | 0.01 micron | P32FB93DGAN |
| 3/8" | Metal Bowl, Manual Drain | 0.01 micron | P32FB93DSMN |
| 3/8" | Metal Bowl, Auto Drain | 0.01 micron | P32FB93DSAN |
| 1/2" | Poly Bowl, Manual Drain | 0.01 micron | P32FB94DGMN |
| 1/2" | Poly Bowl, Auto Drain | 0.01 micron | P32FB94DGAN |
| 1/2" | Metal Bowl, Manual Drain | 0.01 micron | P32FB94DSMN |
| 1/2" | Metal Bowl, Auto Drain | 0.01 micron | P32FB94DSAN |

† For polycarbonate bowl, see caution in Engineering Section A.

Operating information

| | |
|---------------------------|---|
| Supply pressure (max): | |
| Poly bowl | 150 psig (10 bar) |
| Metal bowl w/ DPI | 150 psig (10 bar) |
| Metal bowl w/o DPI | 250 psig (17 bar) |
| Operating temperature: | |
| Plastic bowl | -13°F to 125°F (-25°C to 52°C) |
| Metal bowl | -13°F to 150°F (-25°C to 65.5°C) |
| Standard filtration: | 1.0 and 0.01 micron |
| Adsorber | Max. oil carryover (ppm w/w) 0.003 @ 70°F (21°C) |
| Flow capacity*: | |
| 1.0 micron coalescing | 53 scfm (25 dm³/s, ANR) |
| 0.01 micron coalescing | 36 scfm (17 dm³/s, ANR) |
| Activated carbon adsorber | 85 scfm (40 dm³/s, ANR) |
| Useful retention†: | 1.7 US oz. (51 cm³) |
| Weight: | 0.71 lb (0.32 kg) |

* Inlet pressure 91.3 psig (6.3 bar). Pressure drop 3 psig (0.2 bar), saturated element.

† Useful retention refers to volume below the quiet zone baffle.

Ordering Information:

| | | | | | | | | |
|--|--|---|---|--|---------------------------------|----------|----------|---|
| P32FB | | 9 | 2 | D | G | M | N | |
| Basic Series Global Modular Compact Coalescing Filter P32FB | | Thread Type BSPP 1 BSPT 2 NPT 9 | Port Size 1/4 2 3/8 3 1/2 4 | Element 0.01µ Element C 0.01µ Element with DPI D 1µ Element 9 1µ Element with DPI Q Adsorber A | Mounting N No Bracket | | | Drain Type M Manual Drain A Auto Drain X Flex Drain |
| | | | | Bowl Type G Poly Bowl with Bowl Guard M Metal Bowl without Sight Gauge S Metal Bowl with Sight Gauge | | | | |

Most popular.



For inventory, lead times, and kit lookup, visit www.pdnplu.com

Material Specifications

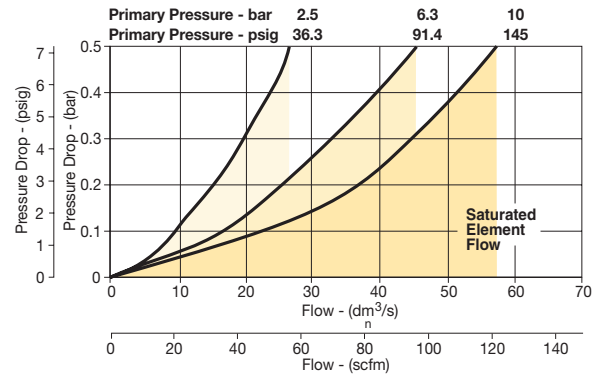
| | |
|----------------|--------------------|
| Body | Aluminum |
| Body cap | ABS |
| Plastic bowl | Polycarbonate |
| Metal bowl | Aluminum |
| Filter element | Borosilicate cloth |
| Adsorber | Activated carbon |
| Seals | Nitrile |
| Sight gauge | Nylon |

Repair and Service Kits

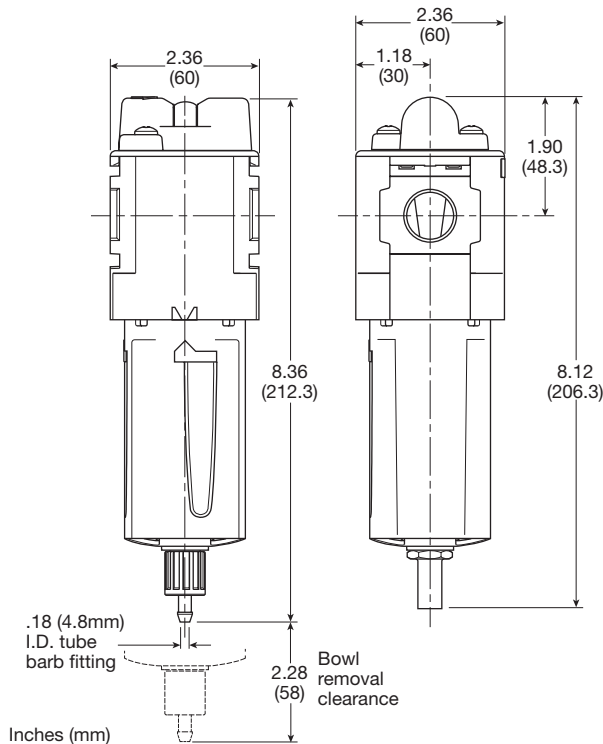
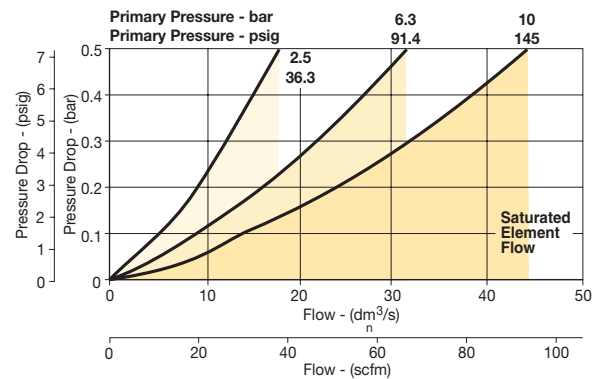
| | |
|---|-------------------|
| Plastic bowl / bowl guard, manual drain | P32KB00BGM |
| Metal bowl / sight gauge, manual drain | P32KB00BSM |
| Auto drain | P32KA00DA |
| 1µ coalescing filter element | P32KA00ES9 |
| 0.01µ coalescing filter element | P32KA00ESC |
| Activated carbon adsorber filter element | P32KA00ESA |
| L-bracket (fits to body) | P32KA00ML |
| T-bracket (fits to body connector) | P32KA00MB |
| T-bracket with body connector | P32KA00MT |
| Body connector | P32KA00CB |
| Differential pressure indicator (replacement) | P32KA00RQ |

Flow Charts

P32FB - 1.0 micron flow



P32FB - 0.01 micron flow



Manual Drain

Automatic Drain

| |
|------------------------|
| B |
| Global Air Preparation |
| Introduction |
| Filters |
| Coalescers |
| Regulators |
| Filter/Regulators |
| Lubricators |
| Combinations |
| Accessories and Kits |



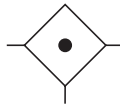
For inventory, lead times, and kit lookup, visit www.pdnplu.com

P33 Coalescing and Adsorber Filters – Standard

- Integral 1/2" or 3/4" ports (NPT, BSPP & BSPT)
- Removes liquid aerosols and sub micron particles
- Oil free air for critical applications, such as air gauging, pneumatic instrumentation and control
- Differential Pressure Indicator (DPI) standard on Coalescing Filters
- Positive bayonet latch to ensure correct & safe fitting
- Adsorbing activated carbon element removes oil vapors and most hydrocarbons

Note: To optimize the life of coalescing element, it is advisable to install a P33F pre-filter with a 5 micron element upstream of the coalescing filter.

To optimize the life of an Adsorber it is advisable to install a P33 Coalescing Filter upstream of the Adsorber. Adsorber element should be replaced approximately every 1000 hours of service.



Operating information

| | |
|-------------------------------|---|
| Supply pressure (max): | |
| Poly bowl | 150 psig (10 bar) |
| Metal bowl w/ DPI | 150 psig (10 bar) |
| Metal bowl w/o DPI | 250 psig (17 bar) |
| Operating temperature: | |
| Plastic bowl | -13°F to 125°F (-25°C to 52°C) |
| Metal bowl | -13°F to 150°F (-25°C to 65.6°C) |
| Standard filtration: | |
| | 1.0 and 0.01 micron |
| Adsorber | |
| | Max. oil carryover (ppm w/w) 0.003 @ 70°F (21°C) |
| Flow capacity*: | |
| 1.0 micron coalescing | 68 scfm (32 dm ³ /s, ANR) |
| 0.01 micron coalescing | 42 scfm (20 dm ³ /s, ANR) |
| Activated carbon adsorber | 72 scfm (34 dm ³ /s, ANR) |
| Useful retention†: | 2.8 US oz. (85 cm ³) |
| Weight: | |
| | 1.10 lb (0.50 kg) |

* Inlet pressure 91.3 psig (6.3 bar). Pressure drop 3 psig (0.2 bar), saturated element.

† Useful retention refers to volume below the quiet zone baffle.

| Port Size | Description † | Element | Part Number |
|-----------|--------------------------|-------------|--------------------|
| 1/2" | Poly Bowl, Manual Drain | 0.01 micron | P33FA94DGMN |
| 1/2" | Poly Bowl, Auto Drain | 0.01 micron | P33FA94DGAN |
| 1/2" | Metal Bowl, Manual Drain | 0.01 micron | P33FA94DSMN |
| 1/2" | Metal Bowl, Auto Drain | 0.01 micron | P33FA94DSAN |
| 3/4" | Poly Bowl, Manual Drain | 0.01 micron | P33FA96DGMN |
| 3/4" | Poly Bowl, Auto Drain | 0.01 micron | P33FA96DGAN |
| 3/4" | Metal Bowl, Manual Drain | 0.01 micron | P33FA96DSMN |
| 3/4" | Metal Bowl, Auto Drain | 0.01 micron | P33FA96DSAN |

† For polycarbonate bowl, see caution in Engineering Section A.

Ordering information:

P33FA 9 6 D G M N

Basic Series

Global Modular Standard Coalescing Filter

P33FA

Thread Type

BSPP 1

BSPT 2

NPT 9

Port Size

1/2 4

3/4 6

Element

0.01µ Element C

0.01µ Element with DPI D

1µ Element 9

1µ Element with DPI Q

Adsorber A

Drain Type

M Manual Drain

A Auto Drain

Mounting

N No Bracket

Bowl Type

G Poly Bowl with Bowl Guard

M Metal Bowl without Sight Gauge

S Metal Bowl with Sight Gauge

Most popular.



For inventory, lead times, and kit lookup, visit www.pdnplu.com

Standard Coalescing and Adsorber Filters

Air Preparation Products Global Air Preparation

Material Specifications

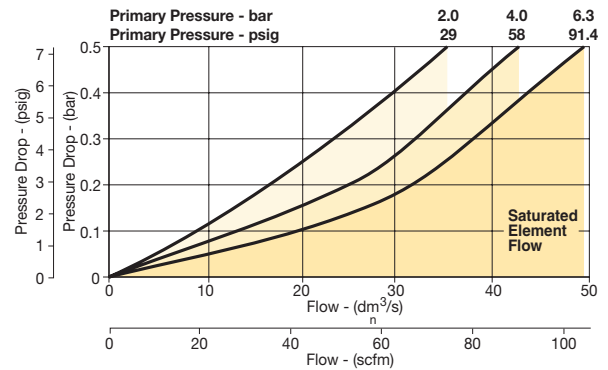
| | |
|----------------|--------------------|
| Body | Aluminum |
| Body cap | ABS |
| Plastic bowl | Polycarbonate |
| Metal bowl | Aluminum |
| Filter element | Borosilicate cloth |
| Adsorber | Activated carbon |
| Seals | Nitrile |
| Sight gauge | Nylon |

Repair and Service Kits

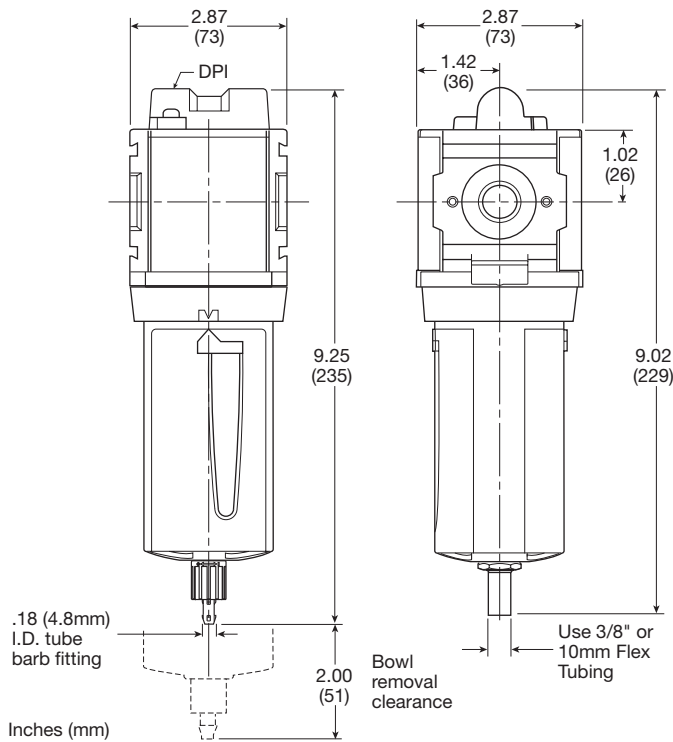
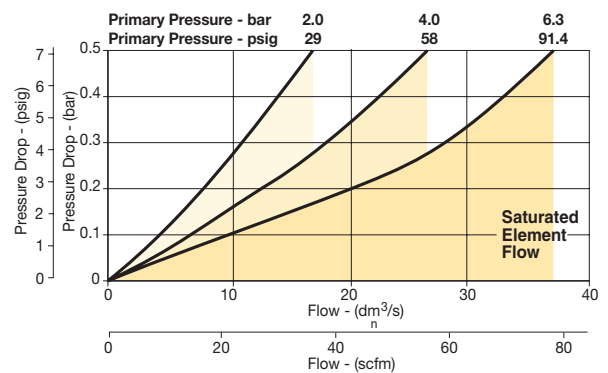
| | |
|---|-------------------|
| Plastic bowl / bowl guard, manual drain | P33KA00BGM |
| Metal bowl / sight gauge, manual drain | P33KA00BSM |
| Auto drain | P32KA00DA |
| 1µ coalescing filter element | P33KA00ES9 |
| 0.01µ coalescing filter element | P33KA00ESC |
| Activated carbon adsorber filter element | P33KA00ESA |
| L-bracket (fits to body) | P33KA00ML |
| T-bracket (fits to body connector) | P32KA00MB |
| T-bracket with body connector | P32KA00MT |
| Body connector | P32KA00CB |
| Differential pressure indicator (replacement) | P32KA00RQ |

Flow Charts

P33FA - 1.0 micron flow



P33FA - 0.01 micron flow



Manual Drain

Automatic Drain

B

Global Air Preparation

Introduction

Filters

Coalescers

Regulators

Filter/Regulators

Lubricators

Combinations

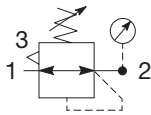
Accessories and Kits



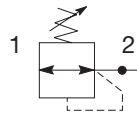
For inventory, lead times, and kit lookup, visit www.pdnplu.com

P31 Regulators – Mini

- Integral 1/4" ports (NPT, BSPP & BSPT)
- Robust but lightweight aluminum construction
- Secondary pressure ranges
- Secondary aspiration plus balanced poppet provides quick response and accurate pressure regulation.
- Relieving & non-relieving types
- Non-rising knob



Self relieving regulator with gauge



Non-relieving regulator

| Port Size | Description (Relieving) | Gauge | Part Number |
|-----------|-------------------------|--------|--------------------|
| 1/4" | 125 psig (8 bar) | None | P31RB92BNNP |
| 1/4" | 125 psig (8 bar) | Square | P31RB92BN5P |

Operating information

| | | |
|---------------------------|-----|---|
| Flow capacity*: | 1/4 | 68 scfm (32 dm ³ /s, ANR) |
| Operating temperature†: | | -4°F to 150°F (-20°C to 65.5°C) |
| Supply pressure (max): | | 300 psig (20 bar) |
| Adjusting range pressure: | | 30 psig (0-2 bar) 60 psig (0-4 bar) 125 psig (0-8 bar) 232 psig (0-16 bar) |
| Gauge port (2 each)**: | | 1/8 BSPP, BSPT, NPT |
| Weight: | | 0.37 lb (0.17 kg) |

* Inlet pressure 145 psig (10 bar). Secondary pressure 91.3 psig (6.3 bar) and 14.5 psig (1 bar) pressure drop.

** Non-gauge option only.

† Units with square gauges: 5°F to 150°F (-15°C to 65.5°C)

Ordering Information:

| Basic Series | | Thread Type | | Port Size | | Relief | | Mounting | | Adjustment Range | |
|-------------------------------|--------------|-------------|---|-----------|---|------------------------|----------|----------|-------------------------|---|---------------------------|
| Global Modular Mini Regulator | P31RB | BSPP | 1 | 1/4 | 2 | Relieving | B | P | Plastic Panel Mount Nut | With Square Gauge | With Round Gauge |
| | | BSPT | 2 | | | Non-Relieving | N | | | psig | Bar |
| | | NPT | 9 | | | Reverse Flow-Relieving | R | | | 1 = 30* | V = 2* |
| | | | | | | | | | | 3 = 60 | S = 4 |
| | | | | | | | | | | 5 = 125 | T = 8 |
| | | | | | | | | | | * Regulator comes with gauge respective to the adjustment range selected. | |
| | | | | | | | | | | Without Gauge | |
| | | | | | | | | | | Y | 30 psig; 2 Bar; 0.2 MPa |
| | | | | | | | | | | L | 60 psig; 4 Bar; 0.4 MPa |
| | | | | | | | | | | N | 125 psig; 8 Bar; 0.8 MPa |
| | | | | | | | | | | H | 232 psig; 16 Bar; 1.6 MPa |

Most popular.



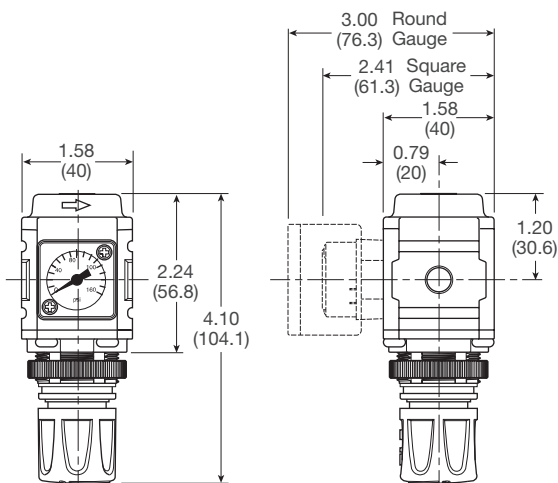
For inventory, lead times, and kit lookup, visit www.pdnplu.com

Material Specifications

| | |
|--------------------|-----------------|
| Body | Aluminum |
| Adjustment knob | Acetal |
| Bonnet | PBT |
| Diaphragm assembly | Brass / Nitrile |
| Valve assembly | Brass / Nitrile |
| Springs | Steel |
| Seals | Nitrile |
| Panel nut | Acetal |

Repair and Service Kits

| | |
|--|------------------|
| Diaphragm repair kit - relieving | P31KB00RB |
| Diaphragm repair kit - non-relieving | P31KB00RC |
| Panel mount nut - aluminum | P31KA00MM |
| Panel mount nut - plastic | P31KA00MP |
| Angle bracket (attaches via panel nut) | P31KB00MR |
| C-bracket (fits to body) | P31KA00MW |
| T-bracket with body connector | P31KA00MT |
| Body connector | P31KA00CB |

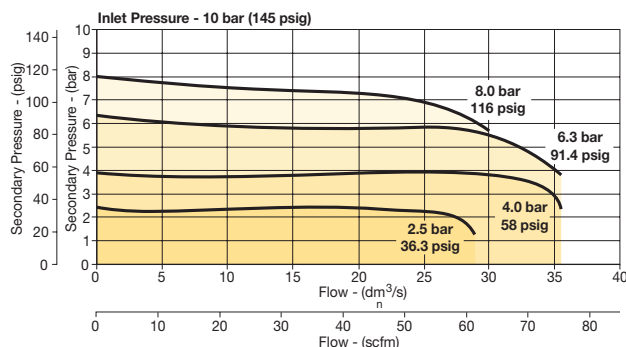


Inches (mm)

NOTE: 1.20 in. (30mm) hole required for panel nut mounting.

Flow Charts

P31RB 1/4" Regulator



⚠ WARNING
Product rupture can cause serious injury. Do not connect regulator to bottled gas. Do not exceed Maximum primary pressure rating.

CAUTION:

REGULATOR PRESSURE ADJUSTMENT – The working range of knob adjustment is designed to permit outlet pressures within their full range. Pressure adjustment beyond this range is also possible because the knob is not a limiting device. This is a common characteristic of most industrial regulators, and limiting devices may be obtained only by special design. For best performance, regulated pressure should always be set by increasing the pressure up to the desired setting.

Gauges

| | | |
|---|---|---------------------|
| Square flush mount gauge | 0-4 bar | K4511SCR04B |
| | 0-11 bar | K4511SCR11B |
| | 0-60 psig | K4511SCR060 |
| | 0-160 psig | K4511SCR160 |
| Square with adapter kit | 0-4 bar | P6G-PR10040 |
| | 0-11 bar | P6G-PR10110 |
| | 0-60 psig | P6G-PR90060 |
| 1.00" Round 1/8" center back mount | 0-60 psig / 0-4 bar | K4510N18060 |
| | 0-160 psig / 0-11 bar | K4510N18160 |
| | 40mm Round 1/8" center back mount (Not for use with common port regulators) | 0-30 psig / 0-2 bar |
| 0-60 psig / 0-4 bar | | K4515N18060 |
| 0-160 psig / 0-11 bar | | K4515N18160 |

For best performance, regulated pressure should always be set by increasing the pressure up to the desired setting.

| |
|------------------------|
| B |
| Global Air Preparation |
| Introduction |
| Filters |
| Coalescers |
| Regulators |
| Filter/Regulators |
| Lubricators |
| Combinations |
| Accessories and Kits |

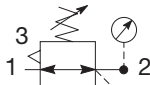
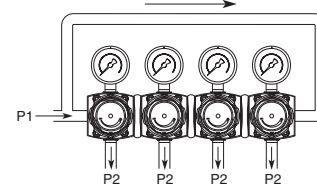
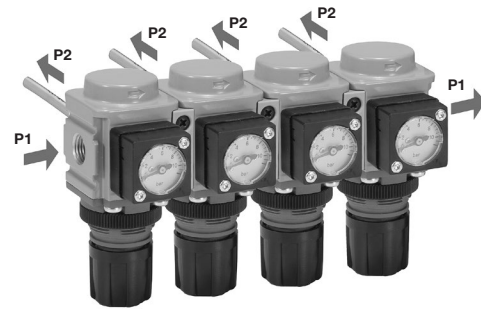


For inventory, lead times, and kit lookup, visit www.pdnplu.com

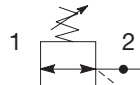
Mini Common P1 Regulators

P31 Common P1 Regulators – Mini

- Manifold style regulator with line pressure on both sides
- Pressure output is at front or rear
- Inlet port 1/4" (NPT, BSPP & BSPT)
- Working port 1/8"
- Robust construction
- Secondary pressure ranges
- Secondary aspiration plus balanced poppet provides quick response and accurate pressure regulation
- Relieving & non-relieving types
- Non-rising knob



Self relieving regulator with gauge



Non-relieving regulator

| Port Size | Description (Relieving) | Gauge | Part Number |
|-----------|-------------------------|--------|--------------------|
| 1/4" | 125 psig (8 bar) | None | P31HB92BNNP |
| 1/4" | 125 psig (8 bar) | Square | P31HB92BN5P |

Operating information

| | | |
|-----------------------------|-----|---|
| Flow capacity*: | 1/4 | 42 scfm (20 dm ³ /s, ANR) |
| Operating temperature: | | -4°F to 150°F (-20°C to 65.5°C) |
| Supply pressure (max): | | 300 psig (20 bar) |
| Adjusting range pressure: | | 30 psig (0-2 bar) 60 psig (0-4 bar) 125 psig (0-8 bar) 232 psig (0-16 bar) |
| P1 port size (inlet/outlet) | | 1/4 NPT, BSPP, BSPT |
| P2 regulated ports (2 ea.) | | 1/8 NPT, BSPP, BSPT |
| Weight: | | 0.66 lb (0.30 kg) |

* Inlet pressure 145 psig (10 bar). Secondary pressure 91.3 psig (6.3 bar) and 14.5 psig (1 bar) pressure drop.

Ordering Information:

P31HB 9 2 B N 5 P

| | | | | |
|---|---|---|---|--|
| Basic Series Global Modular Mini Common Regulator P31HB | Thread Type BSPP 1 BSPT 2 NPT 9 | Port Size † 1/4 2 † Working port 1/8". | Relief Relieving B Non-Relieving N | Mounting P Plastic Panel Mount Nut |
|---|---|---|---|--|

| With Square Gauge | | Adjustment Range | |
|-------------------|-----------------|------------------|---------------------------|
| psig | Bar | With Round Gauge | |
| 1 = 30* | V = 2* | Z | 30 psig; 2 Bar; 0.2 MPa |
| 3 = 60 | S = 4 | M | 60 psig; 4 Bar; 0.4 MPa |
| 5 = 125 | T = 8 | G | 125 psig; 8 Bar; 0.8 MPa |
| | | J | 232 psig; 16 Bar; 1.6 MPa |
| Adjustment | | Without Gauge | |
| N | Non-Rising Knob | Y | 30 psig; 2 Bar; 0.2 MPa |
| | | L | 60 psig; 4 Bar; 0.4 MPa |
| | | N | 125 psig; 8 Bar; 0.8 MPa |
| | | H | 232 psig; 16 Bar; 1.6 MPa |

* Regulator comes with gauge respective to the adjustment range selected.

Most popular.



For inventory, lead times, and kit lookup, visit www.pdnplu.com

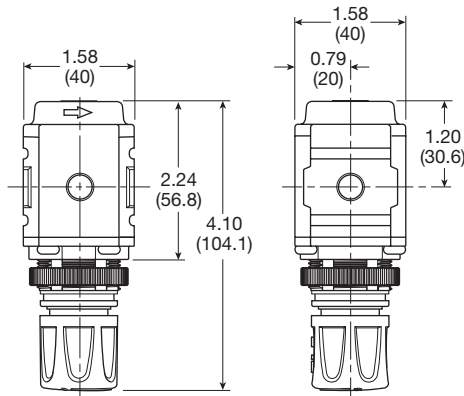
Mini Common P1 Regulators

Materials of Construction

| | |
|--------------------|------------------|
| Body | Aluminum |
| Adjustment knob | Acetal |
| Bonnet | Glass-filled PBT |
| Diaphragm assembly | Brass / Nitrile |
| Valve assembly | Brass / Nitrile |

Repair and Service Kits

| | |
|--|------------------|
| Diaphragm repair kit - relieving | P31KB00RB |
| Diaphragm repair kit - non-relieving | P31KB00RC |
| Panel mount nut - aluminum | P31KA00MM |
| Panel mount nut - plastic | P31KA00MP |
| Angle bracket (attaches via panel nut) | P31KB00MR |
| T-bracket with body connector | P31KA00MT |
| Body connector | P31KA00CB |



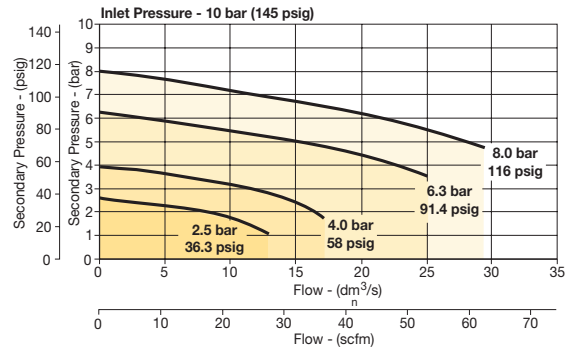
Inches (mm)

NOTE: 1.20 in. (30mm) hole required for panel nut mounting.

Air Preparation Products Global Air Preparation

Flow Charts

P31HB 1/4" Common Regulator



⚠ WARNING
Product rupture can cause serious injury. Do not connect regulator to bottled gas. Do not exceed Maximum primary pressure rating.

CAUTION:

REGULATOR PRESSURE ADJUSTMENT – The working range of knob adjustment is designed to permit outlet pressures within their full range. Pressure adjustment beyond this range is also possible because the knob is not a limiting device. This is a common characteristic of most industrial regulators, and limiting devices may be obtained only by special design. For best performance, regulated pressure should always be set by increasing the pressure up to the desired setting.

Gauges

| | | |
|------------------------------------|-----------------------|--------------------|
| Square with adapter kit | 0-4 bar | P6G-PR10040 |
| | 0-11 bar | P6G-PR10110 |
| | 0-60 psig | P6G-PR90060 |
| | 0-160 psig | P6G-PR90160 |
| 1.00" round 1/8" center back mount | 0-60 psig / 0-4 bar | K4510N18060 |
| | 0-160 psig / 0-11 bar | K4510N18160 |

For best performance, regulated pressure should always be set by increasing the pressure up to the desired setting.

B

Global Air Preparation

Introduction

Filters

Coalescers

Regulators

Filter/Regulators

Lubricators

Combinations

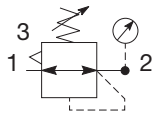
Accessories and Kits



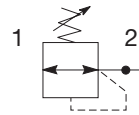
For inventory, lead times, and kit lookup, visit www.pdnplu.com

P32 Regulators – Compact

- Integral 1/4", 3/8" or 1/2" ports (NPT, BSPP & BSPT)
- Robust but lightweight aluminum construction
- Secondary pressure ranges
- Secondary aspiration plus balanced poppet provides quick response and accurate pressure regulation
- Relieving & non-relieving types
- Regulator will reverse flow as standard
- Non-rising knob
- Available T-handle



Self relieving regulator with gauge



Non-relieving regulator

| Port Size | Description (Relieving) | Gauge | Part Number |
|-----------|-------------------------|-------|--------------------|
| 1/4" | 125 psig (8 bar) | None | P32RB92BNNP |
| 1/4" | 125 psig (8 bar) | Round | P32RB92BNGP |
| 3/8" | 125 psig (8 bar) | None | P32RB93BNNP |
| 3/8" | 125 psig (8 bar) | Round | P32RB93BNGP |
| 1/2" | 125 psig (8 bar) | None | P32RB94BNNP |
| 1/2" | 125 psig (8 bar) | Round | P32RB94BNGP |

Operating information

| | |
|---|---|
| Flow capacity*: | |
| 1/4 | 148 scfm (70 dm ³ /s, ANR) |
| 3/8, 1/2 | 165 scfm (78 dm ³ /s, ANR) |
| Operating temperature: | -13°F to 150°F (-25°C to 65.5°C) |
| Supply pressure (max): | 300 psig (20 bar) |
| Adjusting range pressure: | 30 psig (0-2 bar) 60 psig (0-4 bar) 125 psig (0-8 bar) 250 psig (0-17 bar) |
| Gauge port (2 each) | 1/4 NPT, BSPP, BSPT |
| Weight: | 0.90 lb (0.41 kg) |
| * Inlet pressure 145 psig (10 bar). Secondary pressure 91.3 psig (6.3 bar) and 14.5 psig (1 bar) pressure drop. | |

Ordering Information:

| | | | | | | | |
|--|--|---|----------|---|----------|--|----------|
| P32RB | | 9 | 2 | B | N | G | P |
| Basic Series Global Modular Compact Regulator P32RB | | Thread Type BSPP 1 BSPT 2 NPT 9 | | Port Size 1/4 2 3/8 3 1/2 4 | | Mounting P Plastic Panel Mount Nut | |
| | | Relief Relieving B Non-Relieving N | | Adjustment Range | | | |
| | | | | Adjustment N Non-Rising Knob T T-Handle | | | |
| | | | | * Regulator comes with gauge respective to the adjustment range selected. | | | |
| | | | | | | Without Gauge | |
| | | | | | | Y 30 psig; 2 Bar; 0.2 MPa | |
| | | | | | | M 60 psig; 4 Bar; 0.4 MPa | |
| | | | | | | G 125 psig; 8 Bar; 0.8 MPa | |
| | | | | | | J 250 psig; 17 Bar; 1.7 MPa | |

Most popular.



For inventory, lead times, and kit lookup, visit www.pdnplu.com

Material Specifications

| | |
|--------------------|------------------------|
| Body | Aluminum |
| Adjustment knob | Acetal |
| Bonnet | Glass-filled nylon |
| Diaphragm assembly | Nitrile / Zinc |
| Valve assembly | Brass / Nitrile |
| Springs | Steel, stainless steel |
| Seals | Nitrile |
| Panel nut | Acetal |

Repair and Service Kits

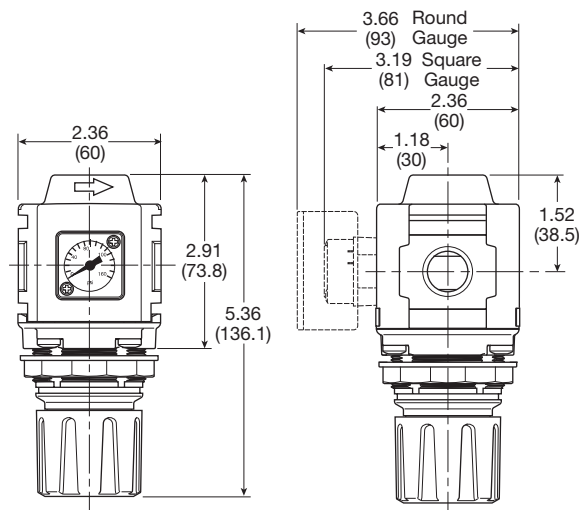
| | |
|--|------------------|
| Diaphragm repair kit - relieving | P32KB00RB |
| Diaphragm repair kit - non-relieving | P32KB00RC |
| Panel mount nut - aluminum | P32KA00MM |
| Panel mount nut - plastic | P32KA00MP |
| Angle bracket (attaches via panel nut) | P32KB00MR |
| T-bracket with body connector | P32KA00MT |
| T-bracket | P32KA00MB |
| Body connector | P32KA00CB |

WARNING

**Product rupture can cause serious injury.
 Do not connect regulator to bottled gas.
 Do not exceed Maximum primary pressure rating.**

CAUTION:

REGULATOR PRESSURE ADJUSTMENT – The working range of knob adjustment is designed to permit outlet pressures within their full range. Pressure adjustment beyond this range is also possible because the knob is not a limiting device. This is a common characteristic of most industrial regulators, and limiting devices may be obtained only by special design. For best performance, regulated pressure should always be set by increasing the pressure up to the desired setting.

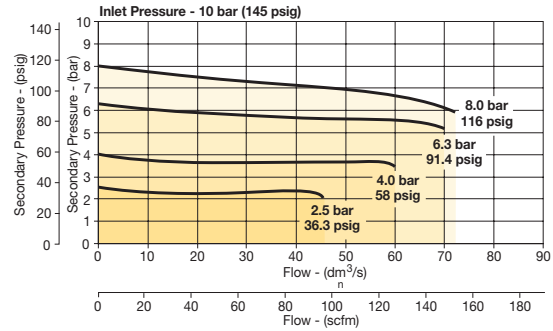


Inches (mm)

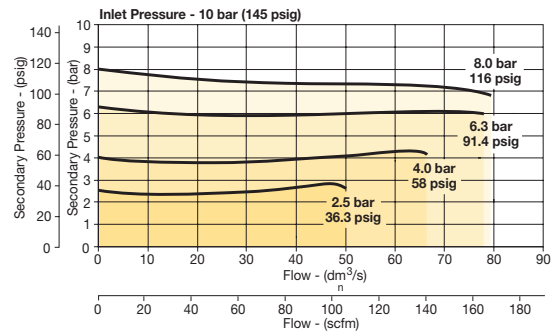
NOTE: 1.90 in. (48mm) hole required for panel nut mounting.

Flow Charts

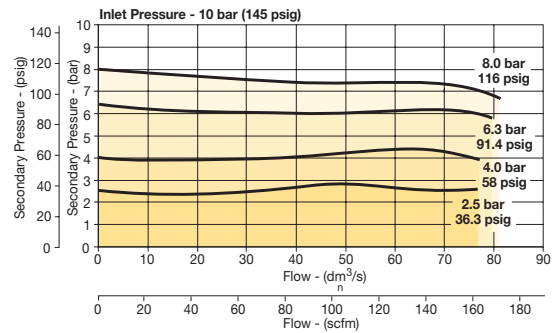
P32RB 1/4" Regulator



P32RB 3/8" Regulator



P32RB 1/2" Regulator



Gauges

| | | |
|--|-----------------------|--------------------|
| Square flush mount gauge | 0-4 bar | K4511SCR04B |
| | 0-11 bar | K4511SCR11B |
| | 0-60 psig | K4511SCR060 |
| | 0-160 psig | K4511SCR160 |
| Square with adapter kit | 0-4 bar | P6G-PR10040 |
| | 0-11 bar | P6G-PR10110 |
| | 0-60 psig | P6G-PR90060 |
| 50mm (2") round 1/4" center back mount | 0-30 psig / 0-2 bar | K4520N14030 |
| | 0-60 psig / 0-4 bar | K4520N14060 |
| | 0-160 psig / 0-11 bar | K4520N14160 |
| | 0-300 psig / 0-20 bar | K4520N14300 |

For best performance, regulated pressure should always be set by increasing the pressure up to the desired setting.

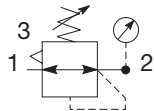


For inventory, lead times, and kit lookup, visit www.pdnplu.com

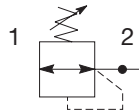
Compact Semi-Precision Regulators

P32 Semi-Precision Regulator – Compact

- Integral 1/4", 3/8" or 1/2" ports (NPT, BSPP & BSPT)
- Robust but lightweight aluminum construction
- Secondary pressure ranges
- Secondary aspiration plus balanced poppet provides quick response and accurate pressure regulation
- Relieving & non-relieving types
- Regulator will reverse flow as standard
- Non-rising knob



Self relieving regulator with gauge



Non-relieving regulator

| Port Size | Description (Relieving) | Gauge | Part Number |
|-----------|-------------------------|-------|--------------------|
| 1/4" | 125 psig (8 bar) | None | P32RB92PNNP |
| 1/4" | 125 psig (8 bar) | Round | P32RB92PNGP |
| 3/8" | 125 psig (8 bar) | None | P32RB93PNNP |
| 3/8" | 125 psig (8 bar) | Round | P32RB93PNGP |
| 1/2" | 125 psig (8 bar) | None | P32RB94PNNP |
| 1/2" | 125 psig (8 bar) | Round | P32RB94PNGP |

Operating information

| | |
|--------------------------------------|---|
| Flow capacity*: | 53 scfm (25 dm ³ /s, ANR) |
| Effect of supply pressure variation: | 0.6 psig (0.04 bar) or 25 psig (1.7 bar) change in P1 |
| Operating temperature: | -13°F to 150°F (-25°C to 65.5°C) |
| Supply pressure (max): | 300 psig (20 bar) |
| Adjusting range pressure: | 0 to 30 psig (0 to 2 bar) 0 to 60 psig (0 to 4 bar) 0 to 125 psig (0 to 8 bar) 0 to 250 psig (0 to 17 bar) |
| Gauge port (2 each): | 1/4 NPT, BSPP, BSPT |
| Weight: | 0.90 lb (0.41 kg) |

* Inlet pressure 145 psig (10 bar). Secondary pressure 91.3 psig (6.3 bar) and 14.5 psig (1 bar) pressure drop.

Ordering Information:

P32RB 9 2 P N G P

| Basic Series Global Modular Compact Regulator P32RB | Thread Type BSPP 1 BSPT 2 NPT 9 | Port Size 1/4 2 3/8 3 1/2 4 | Relief Semi-Precision Relieving P Semi-Precision Non-Relieving N | Mounting P Plastic Panel Mount Nut | Adjustment Range | | | | | | | | | | | | | | | | | | | | | | | | | | | | | | | | | | | | | | | | | | | | |
|--|---|---|---|--|--|-------------------|--|------------------|--|------|-----|--|--|---------|--------|---|-------------------------|--------|-------|---|-------------------------|---------|-------|---|--------------------------|--|--|---|---------------------------|--|--|----------------------|--|--|--|---|-------------------------|--|--|---|-------------------------|--|--|---|--------------------------|--|--|---|---------------------------|
| | | | | | <table border="1"> <thead> <tr> <th colspan="2">With Square Gauge</th> <th colspan="2">With Round Gauge</th> </tr> <tr> <th>psig</th> <th>Bar</th> <th></th> <th></th> </tr> </thead> <tbody> <tr> <td>1 = 30*</td> <td>V = 2*</td> <td>Z</td> <td>30 psig; 2 Bar; 0.2 MPa</td> </tr> <tr> <td>3 = 60</td> <td>S = 4</td> <td>M</td> <td>60 psig; 4 Bar; 0.4 MPa</td> </tr> <tr> <td>5 = 125</td> <td>T = 8</td> <td>G</td> <td>125 psig; 8 Bar; 0.8 MPa</td> </tr> <tr> <td></td> <td></td> <td>J</td> <td>250 psig; 17 Bar; 1.7 MPa</td> </tr> <tr> <td></td> <td></td> <td colspan="2">Without Gauge</td> </tr> <tr> <td></td> <td></td> <td>Y</td> <td>30 psig; 2 Bar; 0.2 MPa</td> </tr> <tr> <td></td> <td></td> <td>L</td> <td>60 psig; 4 Bar; 0.4 MPa</td> </tr> <tr> <td></td> <td></td> <td>N</td> <td>125 psig; 8 Bar; 0.8 MPa</td> </tr> <tr> <td></td> <td></td> <td>H</td> <td>250 psig; 17 Bar; 1.7 MPa</td> </tr> </tbody> </table> | With Square Gauge | | With Round Gauge | | psig | Bar | | | 1 = 30* | V = 2* | Z | 30 psig; 2 Bar; 0.2 MPa | 3 = 60 | S = 4 | M | 60 psig; 4 Bar; 0.4 MPa | 5 = 125 | T = 8 | G | 125 psig; 8 Bar; 0.8 MPa | | | J | 250 psig; 17 Bar; 1.7 MPa | | | Without Gauge | | | | Y | 30 psig; 2 Bar; 0.2 MPa | | | L | 60 psig; 4 Bar; 0.4 MPa | | | N | 125 psig; 8 Bar; 0.8 MPa | | | H | 250 psig; 17 Bar; 1.7 MPa |
| With Square Gauge | | With Round Gauge | | | | | | | | | | | | | | | | | | | | | | | | | | | | | | | | | | | | | | | | | | | | | | | |
| psig | Bar | | | | | | | | | | | | | | | | | | | | | | | | | | | | | | | | | | | | | | | | | | | | | | | | |
| 1 = 30* | V = 2* | Z | 30 psig; 2 Bar; 0.2 MPa | | | | | | | | | | | | | | | | | | | | | | | | | | | | | | | | | | | | | | | | | | | | | | |
| 3 = 60 | S = 4 | M | 60 psig; 4 Bar; 0.4 MPa | | | | | | | | | | | | | | | | | | | | | | | | | | | | | | | | | | | | | | | | | | | | | | |
| 5 = 125 | T = 8 | G | 125 psig; 8 Bar; 0.8 MPa | | | | | | | | | | | | | | | | | | | | | | | | | | | | | | | | | | | | | | | | | | | | | | |
| | | J | 250 psig; 17 Bar; 1.7 MPa | | | | | | | | | | | | | | | | | | | | | | | | | | | | | | | | | | | | | | | | | | | | | | |
| | | Without Gauge | | | | | | | | | | | | | | | | | | | | | | | | | | | | | | | | | | | | | | | | | | | | | | | |
| | | Y | 30 psig; 2 Bar; 0.2 MPa | | | | | | | | | | | | | | | | | | | | | | | | | | | | | | | | | | | | | | | | | | | | | | |
| | | L | 60 psig; 4 Bar; 0.4 MPa | | | | | | | | | | | | | | | | | | | | | | | | | | | | | | | | | | | | | | | | | | | | | | |
| | | N | 125 psig; 8 Bar; 0.8 MPa | | | | | | | | | | | | | | | | | | | | | | | | | | | | | | | | | | | | | | | | | | | | | | |
| | | H | 250 psig; 17 Bar; 1.7 MPa | | | | | | | | | | | | | | | | | | | | | | | | | | | | | | | | | | | | | | | | | | | | | | |
| | | | | Adjustment N Non-Rising Knob T T-Handle | | | | | | | | | | | | | | | | | | | | | | | | | | | | | | | | | | | | | | | | | | | | | |

* Regulator comes with gauge respective to the adjustment range selected.

Most popular.



For inventory, lead times, and kit lookup, visit www.pdnplu.com

B
 Global Air Preparation
 Introduction
 Filters
 Coalescers
 Regulators
 Filter / Regulators
 Lubricators
 Combinations
 Accessories and Kits

Material Specifications

| | |
|--------------------|------------------------|
| Body | Aluminum |
| Adjustment knob | Acetal |
| Bonnet | Glass-filled nylon |
| Diaphragm assembly | Nitrile / zinc |
| Valve assembly | Brass / nitrile |
| Springs | Steel, stainless steel |
| Seals | Nitrile |
| Panel nut | Acetal |

Repair and Service Kits

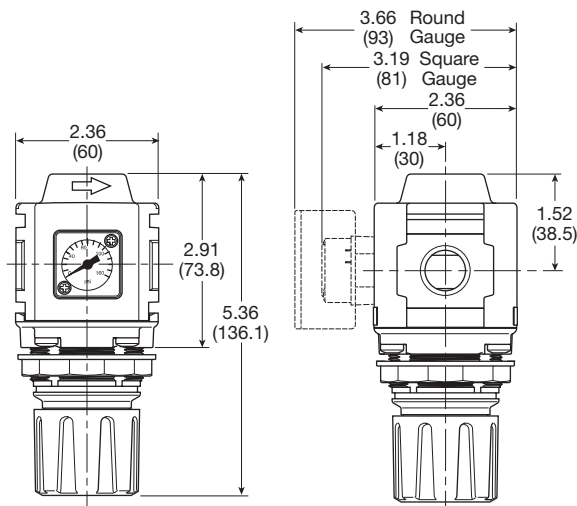
| | |
|--|------------------|
| Diaphragm repair kit - relieving | P32KB00RB |
| Diaphragm repair kit - non-relieving | P32KB00RC |
| Panel mount nut - aluminum | P32KA00MM |
| Panel mount nut - plastic | P32KA00MP |
| Angle bracket (attaches via panel nut) | P32KB00MR |
| T-bracket with body connector | P32KA00MT |
| T-bracket | P32KA00MB |
| Body connector | P32KA00CB |

WARNING

**Product rupture can cause serious injury.
Do not connect regulator to bottled gas.
Do not exceed Maximum primary pressure rating.**

CAUTION:

REGULATOR PRESSURE ADJUSTMENT – The working range of knob adjustment is designed to permit outlet pressures within their full range. Pressure adjustment beyond this range is also possible because the knob is not a limiting device. This is a common characteristic of most industrial regulators, and limiting devices may be obtained only by special design. For best performance, regulated pressure should always be set by increasing the pressure up to the desired setting.

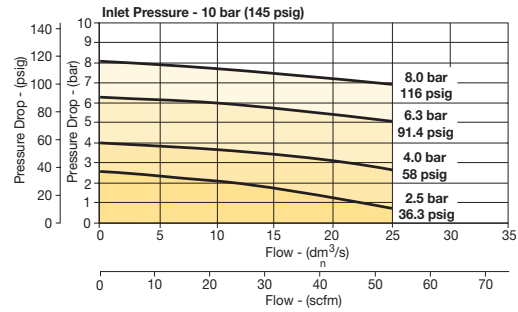


Inches (mm)

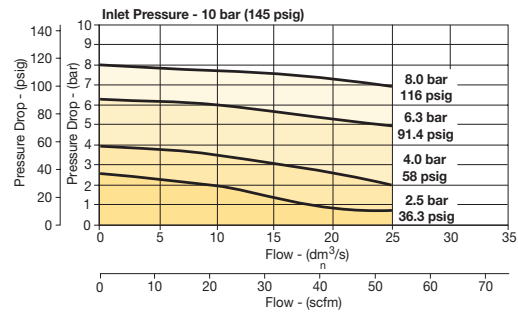
NOTE: 1.90 in. (48mm) hole required for panel nut mounting.

Flow Charts

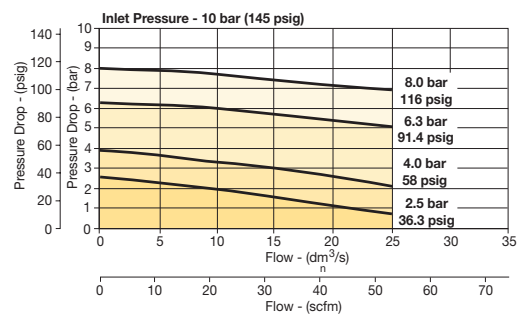
P32RB 1/4" Regulator



P32RB 3/8" Regulator



P32RB 1/2" Regulator



Gauges

| | | |
|--|-----------------------|--------------------|
| Square flush mount gauge | 0-4 bar | K4511SCR04B |
| | 0-11 bar | K4511SCR11B |
| | 0-60 psig | K4511SCR060 |
| | 0-160 psig | K4511SCR160 |
| Square with adapter kit | 0-4 bar | P6G-PR10040 |
| | 0-11 bar | P6G-PR10110 |
| | 0-60 psig | P6G-PR90060 |
| | 0-160 psig | P6G-PR90160 |
| 50mm (2") round 1/4" center back mount | 0-30 psig / 0-2 bar | K4520N14030 |
| | 0-60 psig / 0-4 bar | K4520N14060 |
| | 0-160 psig / 0-11 bar | K4520N14160 |
| | 0-300 psig / 0-20 bar | K4520N14300 |

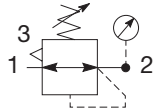
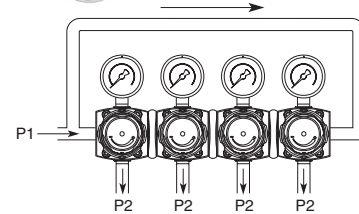
For best performance, regulated pressure should always be set by increasing the pressure up to the desired setting.



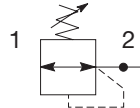
For inventory, lead times, and kit lookup, visit www.pdnplu.com

P32 Common - P1 Regulator – Compact

- Manifold style regulator with line pressure on both sides.
- Pressure output is at front or rear.
- Inlet ports 1/4", 3/8" or 1/2" (NPT, BSPP & BSPT)
- Working port 1/4"
- Robust construction
- Secondary pressure ranges
- Secondary aspiration plus balanced poppet provides quick response and accurate pressure regulation
- Relieving & non-relieving types
- Regulator will reverse flow as standard
- Non-rising knob



Self relieving regulator with gauge



Non-relieving regulator

Operating information

| | | |
|---------------------------|---------------|---|
| Flow capacity*: | 1/4, 3/8, 1/2 | 64 scfm (30 dm ³ /s, ANR) |
| Operating temperature: | | -25°C to 65.5°C (-13°F to 150°F) |
| Supply pressure (max): | | 300 psig (20 bar) |
| Adjusting range pressure: | | 0 to 30 psig (0 to 2 bar) 0 to 60 psig (0 to 4 bar) 0 to 125 psig (0 to 8 bar) 0 to 232 psig (0 to 16 bar) |
| Gauge port (2 each): | | 1/4 NPT, BSPP, BSPT |
| Weight: | | 0.50 lb (0.23 kg) |

* Inlet pressure 145 psig (10 bar). Secondary pressure 91.3 psig (6.3 bar) and 14.5 psig (1 bar) pressure drop.

| Port Size | Description (Relieving) | Gauge | Part Number |
|-----------|-------------------------|-------|--------------------|
| 1/4" | 125 psig (8 bar) | None | P32HB92BNNP |
| 3/8" | 125 psig (8 bar) | None | P32HB93BNNP |
| 1/2" | 125 psig (8 bar) | None | P32HB94BNNP |

Ordering Information:

P32HB 9 2 B N N P

Basic Series

Global Modular Compact Regulator **P32HB**

Thread Type

BSPP 1
BSPT 2
NPT 9

Port Size †

1/4 2
3/8 3
1/2 4

† Working port 1/4".

Relief

Relieving B
Non-Relieving N

Mounting

P Plastic Panel Mount Nut

| | | Adjustment Range | |
|---------|--------|-----------------------------|-----------------------------|
| | | With Square Gauge | With Round Gauge |
| | psig | Bar | Z 30 psig; 2 Bar; 0.2 MPa |
| 1 = 30* | V = 2* | | M 60 psig; 4 Bar; 0.4 MPa |
| 3 = 60 | S = 4 | | G 125 psig; 8 Bar; 0.8 MPa |
| 5 = 125 | T = 8 | | J 250 psig; 17 Bar; 1.7 MPa |
| | | Without Gauge | |
| | | Y 30 psig; 2 Bar; 0.2 MPa | |
| | | L 60 psig; 4 Bar; 0.4 MPa | |
| | | N 125 psig; 8 Bar; 0.8 MPa | |
| | | H 250 psig; 17 Bar; 1.7 MPa | |

* Regulator comes with gauge respective to the adjustment range selected.

Adjustment

N Non-Rising Knob
T T-Handle

Most popular.

B

Global Air Preparation

Introduction

Filters

Coalescers

Regulators

Filter / Regulators

Lubricators

Combinations

Accessories and Kits



For inventory, lead times, and kit lookup, visit www.pdnplu.com

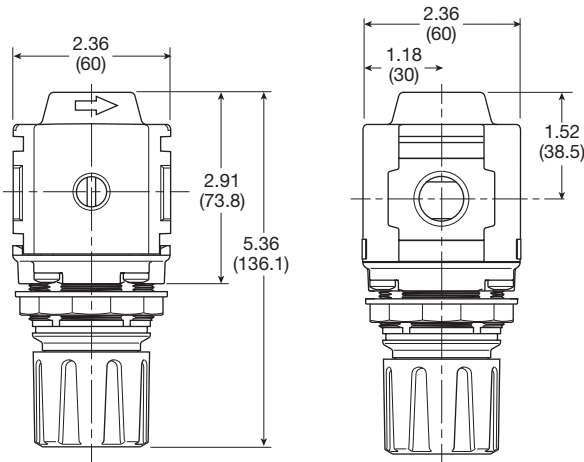
Compact Common P1 Precision Regulator

Material Specifications

| | |
|--------------------|------------------------|
| Body | Aluminum |
| Adjustment knob | Acetal |
| Bonnet | Glass-filled nylon |
| Diaphragm assembly | Nitrile / zinc |
| Valve assembly | Brass / nitrile |
| Springs | Steel, stainless steel |
| Seals | Nitrile |
| Panel nut | Acetal |

Repair and Service Kits

| | |
|--|------------------|
| Diaphragm repair kit - relieving | P32KB00RB |
| Diaphragm repair kit - non-relieving | P32KB00RC |
| Panel mount nut - aluminum | P32KA00MM |
| Panel mount nut - plastic | P32KA00MP |
| Angle bracket (attaches via panel nut) | P32KB00MR |
| T-bracket with body connector | P32KA00MT |
| T-bracket | P32KA00MB |
| Body connector | P32KA00CB |



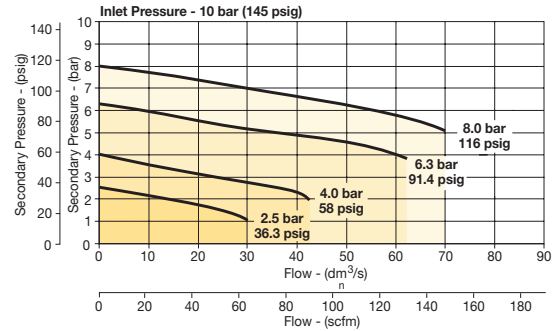
Inches (mm)

NOTE: 1.90 in. (48mm) hole required for panel nut mounting.

Air Preparation Products Global Air Preparation

Flow Charts

P32HB Common Port Regulator



⚠ WARNING

**Product rupture can cause serious injury.
Do not connect regulator to bottled gas.
Do not exceed Maximum primary pressure rating.**

CAUTION:

REGULATOR PRESSURE ADJUSTMENT – The working range of knob adjustment is designed to permit outlet pressures within their full range. Pressure adjustment beyond this range is also possible because the knob is not a limiting device. This is a common characteristic of most industrial regulators, and limiting devices may be obtained only by special design. For best performance, regulated pressure should always be set by increasing the pressure up to the desired setting.

Gauges

| | | |
|--|-----------------------|--------------------|
| Square flush mount gauge | 0-4 bar | K4511SCR04B |
| | 0-11 bar | K4511SCR11B |
| | 0-60 psig | K4511SCR060 |
| | 0-160 psig | K4511SCR160 |
| Square with adapter kit | 0-4 bar | P6G-PR10040 |
| | 0-11 bar | P6G-PR10110 |
| | 0-60 psig | P6G-PR90060 |
| | 0-160 psig | P6G-PR90160 |
| 50mm (2") round 1/4" center back mount | 0-30 psig / 0-2 bar | K4520N14030 |
| | 0-60 psig / 0-4 bar | K4520N14060 |
| | 0-160 psig / 0-11 bar | K4520N14160 |
| | 0-300 psig / 0-20 bar | K4520N14300 |

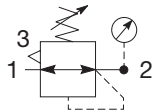
For best performance, regulated pressure should always be set by increasing the pressure up to the desired setting.



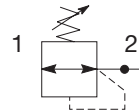
For inventory, lead times, and kit lookup, visit www.pdnplu.com

P33 Regulators – Standard

- Integral 1/2" or 3/4" ports (NPT, BSPP & BSPT)
- Robust but lightweight aluminum construction
- Secondary pressure ranges
- Secondary aspiration plus balanced poppet provides quick response and accurate pressure regulation
- Relieving & non-relieving types
- Non-rising knob



Self relieving regulator with gauge



Non-relieving regulator

| Port Size | Description (Relieving) | Gauge | Part Number |
|-----------|-------------------------|-------|--------------------|
| 1/2" | 125 psig (8 bar) | None | P33RA94BNNP |
| 1/2" | 125 psig (8 bar) | Round | P33RA94BNGP |
| 3/4" | 125 psig (8 bar) | None | P33RA96BNNP |
| 3/4" | 125 psig (8 bar) | Round | P33RA96BNGP |

Operating information

| | |
|---------------------------|---|
| Flow capacity*: | 233 scfm (110 dm ³ /s, ANR) |
| Operating temperature: | -13°F to 150°F (-25°C to 65.5°C) |
| Supply pressure (max): | 300 psig (20 bar) |
| Adjusting range pressure: | 0 to 30 psig (0 to 2 bar) 0 to 60 psig (0 to 4 bar) 0 to 125 psig (0 to 8 bar) 0 to 250 psig (0 to 17 bar) |
| Gauge port (2 each): | 1/4 NPT, BSPP, BSPT |
| Weight: | 1.37 lb (0.62 kg) |

* Inlet pressure 145 psig (10 bar). Secondary pressure 91.3 psig (6.3 bar) and 14.5 psig (1 bar) pressure drop.

Ordering Information:

P33RA 9 6 B N G P

| | | | | | |
|--|---|------------------------------------|---|--|--|
| Basic Series Global Modular Standard Regulator | Thread Type BSPP 1 BSPT 2 NPT 9 | Port Size 1/2 4 3/4 6 | Relief Relieving B Non-Relieving N Reverse Flow-Relieving R | Adjustment Non-Rising Knob N | Mounting P Plastic Panel Mount Nut |
| | | | Adjustment Range | | |
| | | | With Round Gauge | | |
| | | | Z | 30 psig; 2 Bar; 0.2 MPa | |
| | | | M | 60 psig; 4 Bar; 0.4 MPa | |
| | | | G | 125 psig; 8 Bar; 0.8 MPa | |
| | | | J | 250 psig; 17 Bar; 1.7 MPa | |
| | | | Without Gauge | | |
| | | | Y | 30 psig; 2 Bar; 0.2 MPa | |
| | | | L | 60 psig; 4 Bar; 0.4 MPa | |
| | | | N | 125 psig; 8 Bar; 0.8 MPa | |
| | | | H | 250 psig; 17 Bar; 1.7 MPa | |

Most popular.



For inventory, lead times, and kit lookup, visit www.pdnplu.com

Material Specifications

| | |
|--------------------|------------------------|
| Body | Aluminum |
| Adjustment knob | Acetal |
| Body cap | ABS |
| Bonnet | Glass-filled nylon |
| Diaphragm assembly | Nitrile / zinc |
| Valve assembly | Brass / nitrile |
| Springs | Steel, stainless steel |
| Seals | Nitrile |
| Panel nut | Acetal |

Repair and Service Kits

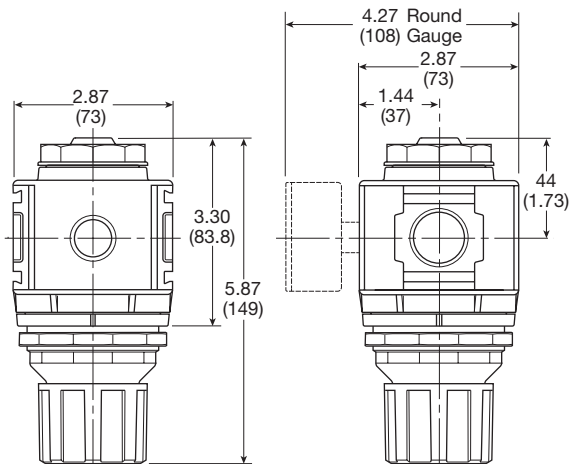
| | |
|--|------------------|
| Diaphragm repair kit - relieving | P33KA00RB |
| Diaphragm repair kit - non-relieving | P33KA00RC |
| Panel mount nut - aluminum | P33KA00MM |
| Panel mount nut - plastic | P33KA00MP |
| Angle bracket (attaches via panel nut) | P33KA00MR |
| T-bracket with body connector | P32KA00MT |
| T-bracket | P32KA00MB |
| Body connector | P32KA00CB |

WARNING

**Product rupture can cause serious injury.
 Do not connect regulator to bottled gas.
 Do not exceed Maximum primary pressure rating.**

CAUTION:

REGULATOR PRESSURE ADJUSTMENT – The working range of knob adjustment is designed to permit outlet pressures within their full range. Pressure adjustment beyond this range is also possible because the knob is not a limiting device. This is a common characteristic of most industrial regulators, and limiting devices may be obtained only by special design. For best performance, regulated pressure should always be set by increasing the pressure up to the desired setting.

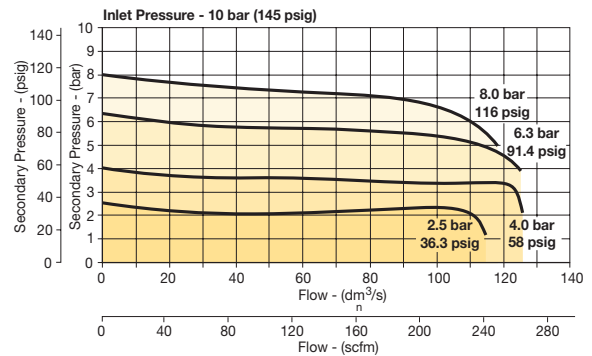


Inches (mm)

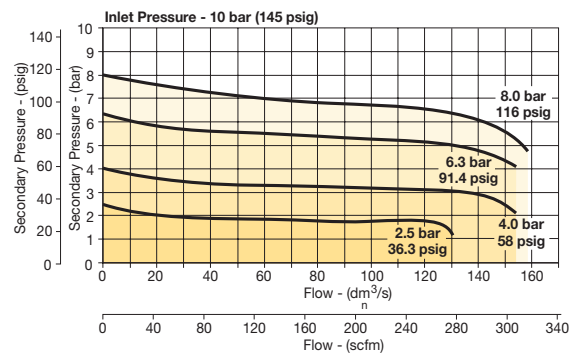
NOTE: 2.40 in. (61mm) hole required for panel nut mounting.

Flow Charts

P33RA 1/2" Regulator



P33RA 3/4" Regulator



Gauges

| | | |
|------------------------|-----------------------|--------------------|
| 50mm (2") round | 0-30 psig / 0-2 bar | K4520N14030 |
| 1/4" center back mount | 0-60 psig / 0-4 bar | K4520N14060 |
| | 0-160 psig / 0-11 bar | K4520N14160 |
| | 0-300 psig / 0-20 bar | K4520N14300 |

For best performance, regulated pressure should always be set by increasing the pressure up to the desired setting.



For inventory, lead times, and kit lookup, visit www.pdnplu.com

Proportional Regulators

P31P & P32P Proportional Regulators

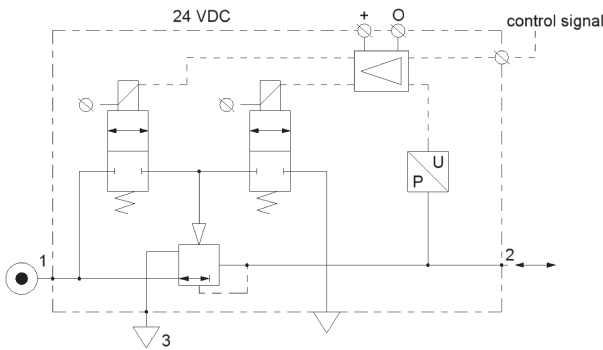
- Very fast response times
- Accurate output pressure
- Parameter settings
- Selectable I/O parameters
- Quick, full flow exhaust
- LED display indicates output pressure
- No air consumption in steady state
- Multiple mounting options
- Protection to IP65



P31P Series
Bottom exhaust



P32P Series
Bottom exhaust



| Port Size | Description | Part Number |
|-----------|-------------------------------|-----------------------|
| 1/4" | 145 psig (0-10 bar), NC 0-10V | P31PA92AD2VD1A |
| 1/2" | 145 psig (0-10 bar), NC 0-10V | P32PA94AD2VD1A |

Operating information

| | | |
|---------------------------|---|---------------------------------------|
| Flow capacity*: | P31P | 40 scfm (19 dm ³ /s, ANR) |
| | P32P | 120 scfm (57 dm ³ /s, ANR) |
| Temperature range: | 32°F to 122°F (0°C to 50°C) | |
| Supply pressure (max): | 2 bar unit | 36.3 psig (2.5 bar) |
| | 10 bar unit | 152 psig (10.5 bar) |
| Operating pressure (min): | P2 pressure + 7.3 psig (0.5 bar) | |
| Working medium: | Compressed air or inert gasses, filtered to 40µ | |
| Pressure range: | 0 to 30 psig (0 to 2 bar) | 0 to 145 psig (0 to 10 bar) |
| Weight: | P31P | 0.64 lb (0.291 kg) |
| | P32P | 1.42 lb (0.645 kg) |

* Inlet pressure 91.3 psig (6.3 bar), inlet pressure and 4.9 psig (0.34 bar) pressure drop.

Ordering Information:

P31PA 9 2 A D 2 V D 1 A

| | | | | |
|--|-----------------------------|--|-----------------------|------------------------|
| Body Size | Thread Type | Power Supply | Control Signal | Input Connector |
| Global Modular Mini (1/4") P31PA | BSPP 1 | 2 24 Volts | V 0-10V [‡] | 1 M12 (4-pin) |
| Global Modular Compact (1/2") P32PA | BSPT 2 | | | |
| | NPT 9 | | | |
| Port Size | Pressure Range | Output Signal | | |
| Global Modular Mini (1/4") 2 | Z 0 - 29 psig (0 - 2 Bar) | D | Digital, PNP | |
| Global Modular Compact (1/2") 4 | D 0 - 145 psig (0 - 10 Bar) | P | PNP or 0-10V | |
| | | N | NPN or 0-10V | |
| | | M | 4-20mA Fixed | |
| Version | | D) Digital PNP output only, no analog output selectable | | |
| Bottom Ported Exhaust (NC) A | | P) Digital PNP and analogue 0-10V outputs selectable, by means of parameter 6. (Factory default 0-10V) | | |
| Bottom Ported Forced Exhaust (NO) [†] E | | N) Digital NPN and analog 0-10 V outputs selectable by means of parameter 6. Factory default 0-10V | | |
| | | M) Analog 4-20mA output only. | | |

[†] When the supply voltage is lost the unit will automatically exhaust the regulated pressure to 0 bar (atmospheric pressure)

[‡] Factory setting is 0-10 V control signal. 4-20 mA control signal available via parameter 4 on keypad.

Note: On all analog outputs the F.S. value can be adjusted by means of parameter 8.

Most popular.



For inventory, lead times, and kit lookup, visit www.pdnplu.com

Proportional Regulators

Air Preparation Products Global Air Preparation

Technical Information

Accuracy

+/- 1.0% of F.S.*

* Full scale (F.S.) - For 2 bar (29 psig) versions this will be 2 bar (29 psig), for the 10 bar (145 psig) version full scale will be 10 bar (145 psig).

Air consumption

No consumption in stable regulated situation.

Display

The regulator is provided with a digital display, indicating the output pressure, either in bar or psig.

The factory setting is as indicated on the label, can be changed through to software at all times (parameter 14)

Supply voltage

24 VDC +/- 10%

Power consumption

Max. 1.1W with unloaded signal outputs

Control signals

The electronic pressure regulator can be externally controlled through an analogue control signal of either 0-10V or 4-20mA. (parameter 4).

Output signals

As soon as the output pressure is within the signal band a signal is given of 24VDC, PNP Ri = 1 kOhm
Outside the signal band this connection is 0V.

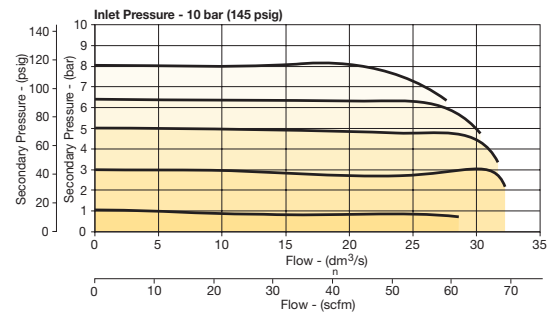
Connections

(In case of output signal (Option D)
Central M12 connector 4-pole
The electrical connections are as follows:

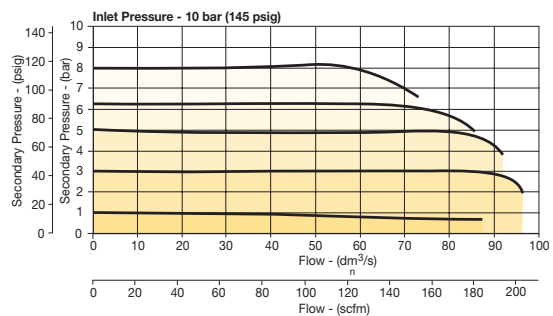
| Pin No. | Function | Color |
|---------|--------------------------------------|-------|
| 1 | 24 V Supply | Brown |
| 2 | 0 to 10 V Control Signal Ri = 100k Ω | White |
| | 4 to 20mA Control Signal Ri = 500 Ω | |
| 3 | 0 V (GND) Supply & Set Point Ground | Blue |
| 4 | 24 V Alarm Output Signal | Black |

Flow Charts

P31P Regulator 1/4" Ports



P32P Regulator 1/2" Ports



Degree of protection: IP65

EU conformity

CE: standard

EMC: according to directive 89/336/EEC

This pressure regulator is in accordance with:

EN 61000-6-1:2001

EN 61000-6-2:2001

EN 61000-6-3:2001

EN 61000-6-4:2001

Mounting position

Preferably vertical, with the cable gland on top.

Materials: P31P & P32P

| | |
|---------------------------------------|----------------|
| Magnet core | Steel |
| Solenoid valve poppet | FPM |
| Solenoid valve housing | Techno polymer |
| Regulator body (P31P & P32P versions) | Aluminum |
| Regulator top housing | Nylon |
| Valve head | Brass & NBR |
| Remaining seals | NBR |

How to change parameters – How to Videos available at www.parker.com/pneu/propreg

Pressing the Accept key “acc” for more than 3 seconds, will activate parameter change mode. The user can then select the parameters by pressing up or down key (display will show Pxx). When parameter number is correct, pressing accept again will enter parameter number (display will show parameter value).

Pressing the up or down key will change the parameter itself (display will flash indicating parameter editing mode). Pressing the accept key will accept the new parameter value (all digits will flash whilst being accepted).

After releasing all keys, the next parameter number will be presented on the display (you may step to the next parameter). When no key is pressed, after 3 seconds the display will show the actual output pressure.

When the unit is initially powered up allow approximately 10 seconds for the unit to “boot-up” before changing parameter settings.

Only parameter numbers 0, 4, 6, 8, 9, 14, 18, 19, 20, 12, 13 and 21 are accessible to edit. All other parameters are fixed.

Manual mode:

When keys DOWN and UP are pressed during startup, (connecting to the 24V power supply) manual mode is activated. This means that the user is able to in/decrease the output pressure of the regulator, by pressing the UP or DOWN key. During this action the display will blink, indicating that the manual mode is activated. After powering up again, the unit will revert back to normal mode.















Back to Factory Setting

After start up. (Power is on)

Entering this value in parameter 0 will store the calibrated factory data into the working parameters.

(Default calibration data is used)















Parameter Number 0 – Reset Back to Factory Settings

| Step | 1 | 2 | 3 | 4 | 5 | |
|---|--|--|--|--|--|--|
| Press  |  3-6 seconds |  or  |  |  or  |  | |
| Until Display Reads |  |  |  Flashing Decimal |  Flashing Decimal |  Flashing |  |
| Description | Accesses changeable parameters. | Accesses parameter no. 0. | Displays current parameter value. | Edits parameter. 3 = standard factory settings. If other than 3, use Up or Down Arrow and accept 3 | Accepts and saves new parameter setting. | Sequences to next parameter. |

Set Control Signal

The unit is factory set for 0-10 V control signal. If 4-20 mA control signal is required, change parameter 4.

Parameter Number 4 – Set Control Signal in Volts or Milliamps

| Step | 1 | 2 | 3 | 4 | 5 | |
|---|--|--|---|--|---|---|
| Press  |  3-6 seconds |  or  |  |  or  |  | |
| Until Display Reads |  |  |  Flashing Decimal |  Flashing Decimal |  Flashing |  |
| Description | Accesses changeable parameters. | Accesses parameter no. 4. | Displays current parameter value. 1 = V 0 = mA | Edits parameter. | Accepts and saves new parameter setting. | Sequences to next parameter. |

How to Videos at www.parker.com/pneu/propreg

B

Global Air Preparation

Introduction

Filters

Coalescers

Regulators

Filter / Regulators

Lubricators

Combinations

Accessories and Kits



For inventory, lead times, and kit lookup, visit www.pdnplu.com

Set Output Signal

Parameter 6 is used to set the type of output signal to your PLC.
 This parameter is used as follows:

Output Signal option “0” = Digital Output – PNP

- Factory set at “0” Non Adjustable

Output Signal option “P” = Digital PNP or Analog 1-10V

- Factory set at “1” for Analog Signal
- Convert to Digital PNP by changing parameter to “0” setting



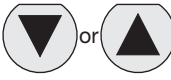

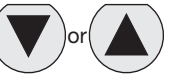







Output Signal option “N” = Digital NPN or Analog 1-10V

- Factory set at “1” Analog Signal
- Convert to Digital NPN by changing parameter to “0”

Output Signal option “M” = Analog 4-20 mA

- Factory set at “2” Non Adjustable

Parameter Number 6 – Set Output Signal

| Step | 1 | 2 | 3 | 4 | 5 | |
|---|--|---|---|---|---|---|
| Press  |  3-6 seconds |  |  |  |  | |
| Until Display Reads |  |  |  Flashing Decimal |  Flashing Decimal (Value 0, 1 or 2) |  Flashing |  |
| Description | Accesses changeable parameters. | Accesses parameter no. 6. | Displays current parameter value. 1 = m factory default for P3H with analog options | Edits parameter. 0 = digital (NPN or PNP) 1 = analog 0..10V 2 = analog 4..20 mA | Accepts and saves new parameter setting. | Sequences to next parameter. |



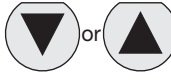

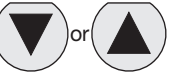







Adjust Span Analog Output Signal

Set value is a % of Full Analog range. As an example for a 0-10V output signal, the original factory setting of 100% will give you an adjustment of 0-10V. If you reset Parameter 8 to 50%, the new output range would be 0-5V or 50% of the full range.

In the event that the output signal is to low, in a certain application, you can adjust it by increasing Parameter 8 to a maximum value of 130% of scale.

Note that all values are nominal and that an actual measurement may be required to ensure signal strength.

Parameter Number 8 – Adjust Span Analog Output Signal

| Step | 1 | 2 | 3 | 4 | 5 | |
|---|--|---|--|---|---|---|
| Press  |  3-6 seconds |  |  |  |  | |
| Until Display Reads |  |  |  Flashing Decimal (For 2 bar versions value = 92) |  Flashing Decimal (Value between 0 and 130) |  Flashing |  |
| Description | Accesses changeable parameters. | Accesses parameter no. 8. | Displays current parameter value. | Edits parameter. | Accepts and saves new parameter setting and implements the new analog signal span. | Sequences to next parameter. |

How to Videos at www.parker.com/pneu/propreg



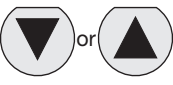

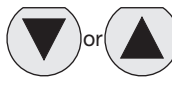









For inventory, lead times, and kit lookup, visit www.pdnplu.com

Adjust Digital Display

If necessary, adjustments can be made to the digital display when using an external pressure sensor.



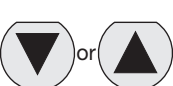









Parameter Number 9 – Adjust Digital Display Value (Pressure Calibration)

| Step | 1 | 2 | 3 | 4 | 5 | |
|---|--|---|---|--|---|---|
| Press  |  3-6 seconds |  |  |  |  | |
| Until Display Reads |  |  |  Flashing Decimal |  Flashing Decimal |  Flashing |  |
| Description | Accesses changeable parameters. | Accesses parameter no. 9. | Displays current digital display | Use up or down arrows and accept to adjust the display value if using an external pressure sensor. | Accepts and saves new parameter setting. | Sequences to next parameter. |

Set Pressure Scale

Units with NPT port threads are supplied with a factory set psig pressure scale. Use parameter 14 to change scale to bar.

Parameter Number 14 – Set Pressure Scale in psig or bar

| Step | 1 | 2 | 3 | 4 | 5 | |
|---|--|---|---|--|---|---|
| Press  |  3-6 seconds |  |  |  |  | |
| Until Display Reads |  |  |  Flashing Decimal |  Flashing Decimal |  Flashing |  |
| Description | Accesses changeable parameters. | Accesses parameter no. 14. | Displays current parameter value. 1 = psig 0 = bar 2 = MPa | Edits parameter. | Accepts and saves new parameter setting. | Sequences to next parameter. |

How to Videos at www.parker.com/pneu/propreg



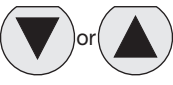

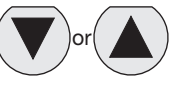






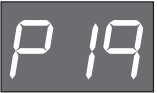


For inventory, lead times, and kit lookup, visit www.pdnplu.com

B
Global Air Preparation
Introduction
Filters
Coalescers
Regulators
Filter / Regulators
Lubricators
Combinations
Accessories and Kits

Preset Minimum Pressure

If there is a need for a pre-set Minimum pressure, use parameter 18. (Note: preset pressure is affected by % P19.)

| Parameter Number 18 – Set Minimum Preset Pressure | | | | | | |
|---|--|---|--|---|---|---|
| Step | 1 | 2 | 3 | 4 | 5 | |
| Press  |  3-6 seconds |  |  |  |  | |
| Until Display Reads |  |  |  Flashing Decimal |  Flashing Decimal (value between 0 and 200) |  Flashing |  |
| Description | Accesses changeable parameters. | Accesses parameter no. 18. | Displays current parameter value. Incremental value is: <u>2 bar unit:</u> x 2 mbar x % P19 <u>10 bar unit:</u> x 10 mbar x % P19 | Edits parameter. | Accepts and saves new parameter setting. | Sequences to next parameter. |



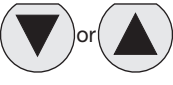

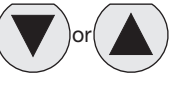


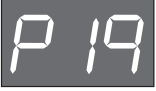




Set Pressure Correction

Pressure correction allows the user to set a Maximum pressure as a percentage of secondary pressure F.S.

Example: If F.S. is 10 bar, set parameter 19 to 50 for Maximum preset pressure of 5 bar.

Pressure correction also affects the Minimum preset pressure in parameter 18.

Example: If F.S. is 10 bar and parameter 18 is set to a value of 100 (1 bar), and parameter 19 is set to 50%, then the actual Minimum preset pressure seen is 0.5 bar.

| Parameter Number 19 – Set Maximum Preset Pressure | | | | | | |
|---|--|---|---|---|---|---|
| Step | 1 | 2 | 3 | 4 | 5 | |
| Press  |  3-6 seconds |  |  |  |  | |
| Until Display Reads |  |  |  Flashing Decimal |  Flashing Decimal (value between 0 and 100) |  Flashing |  |
| Description | Accesses changeable parameters. | Accesses parameter no. 19. | Displays current parameter value. Incremental value is: % of F.S. | Edits parameter. | Accepts and saves new parameter setting. | Sequences to next parameter. |

How to Videos at www.parker.com/pneu/propreg





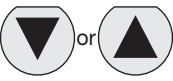

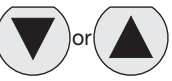







For inventory, lead times, and kit lookup, visit www.pdnplu.com

| |
|------------------------|
| B |
| Global Air Preparation |
| Introduction |
| Filters |
| Coalescers |
| Regulators |
| Filter/Regulators |
| Lubricators |
| Combinations |
| Accessories and Kits |

Behavior Control

The regulation speed of the pressure regulator can be modified by means of one parameter. (P 20)
The value in this parameter has a range from 0-5. A higher value indicates slower regulation speed, but will be more stable.

Parameter Number 20 – Set Behavior Control



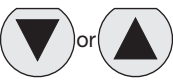

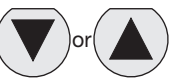







| Step | 1 | 2 | 3 | 4 | 5 | |
|---|--|---|---|--|---|---|
| Press  |  3-6 seconds |  |  |  |  | |
| Until Display Reads |  |  |  Flashing Decimal |  Flashing Decimal (value between 0 and 5) |  Flashing |  |
| Description | Accesses changeable parameters. | Accesses parameter no. 20. | Displays current parameter value. | Edits parameter 0 = custom set* 1 = fastest (narrow proportional band) 2 = fast 3 = normal 4 = slow 5 = slowest (proportional band is broad) | Accepts and saves new parameter setting. | Sequences to next parameter. |

* When the value 0 is entered, you are able to create your own custom settings true parameters 12, 13 and 21.

**Fine Settings
Set Proportional Band**

Proportional band is used for setting the reaction sensitivity of the regulator. The displayed value is X 10 mbar and has a range between 50 (0.5 bar) and 250 (2.5 bar).

Parameter Number 12 – Set Proportional Band (P20 Must be Set to 0)

| Step | 1 | 2 | 3 | 4 | 5 | |
|---|--|---|---|--|---|---|
| Press  |  3-6 seconds |  |  |  |  | |
| Until Display Reads |  |  |  Flashing Decimal |  Flashing Decimal (value between 50 and 250) |  Flashing |  |
| Description | Accesses changeable parameters. | Accesses parameter no. 12. | Displays current parameter value. Incremental value is: x 10 mbar | Edits parameter. | Accepts and saves new parameter setting. | Sequences to next parameter. |

How to Videos at www.parker.com/pneu/propreg

B

Global Air Preparation

Introduction

Filters

Coalescers

Regulators

Filter / Regulators

Lubricators

Combinations

Accessories and Kits



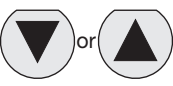

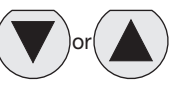



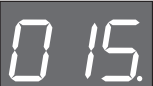





For inventory, lead times, and kit lookup, visit www.pdnplu.com

Set Deadband



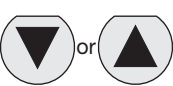

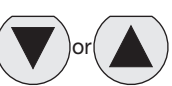







Deadband is the Minimum limit of accuracy at which the regulator is set for normal operation. The displayed value is X 10 mbar and has a range between 4 (40 mbar) and 40 (400 mbar).

Parameter Number 13 – Set Deadband (P20 Must be Set to 0)



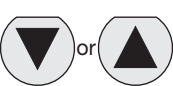




| Step | 1 | 2 | 3 | 4 | 5 | |
|---|--|---|---|--|---|---|
| Press  |  3-6 seconds |  |  |  |  | |
| Until Display Reads |  |  |  Flashing Decimal |  Flashing Decimal (value between 4 and 40) |  Flashing |  |
| Description | Accesses changeable parameters. | Accesses parameter no. 13. | Displays current parameter value. Incremental value is x 10 mbar | Edits parameter. | Accepts and saves new parameter setting. | Sequences to next parameter. |

Proportional Effect

Parameter Number 21 – Set Proportional Effect (P20 Must be Set to 0)

| Step | 1 | 2 | 3 | 4 | 5 | |
|--|---|---|---|---|---|---|
| Press  |  3-6 seconds |  |  |  |  | |
| Until Display Reads |  |  |  Flashing Decimal |  Flashing Decimal (value between 5 and 100) |  Flashing |  |
| Description | Accesses changeable parameters. | Accesses parameter no. 21. | Displays current parameter value. | Edits parameter. 5 = fastest regulation 100 = slowest regulation. | Accepts and saves new parameter setting. | Sequences to next parameter. |

Parameter Number 39 – Displays Current Software Version

| Step | 1 | 2 | 3 | |
|---|--|---|---|--|
| Press  |  3-6 seconds |  |  | |
| Until Display Reads |  |  |  Flashing Decimal | |
| Description | Accesses changeable parameters. | Accesses parameter no. 39. | Displays current parameter value. XXX = current software version | |

How to Videos at www.parker.com/pneu/propreg

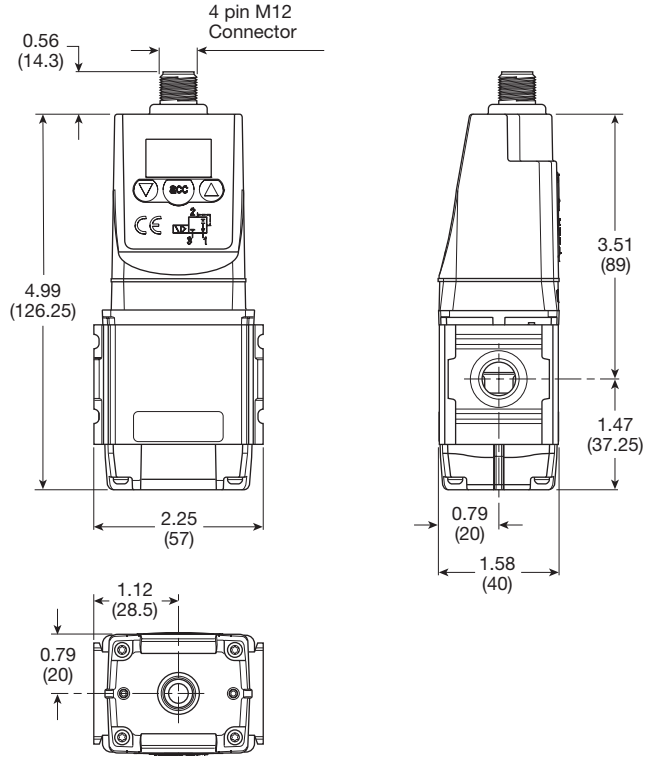


For inventory, lead times, and kit lookup, visit www.pdnplu.com

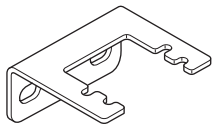
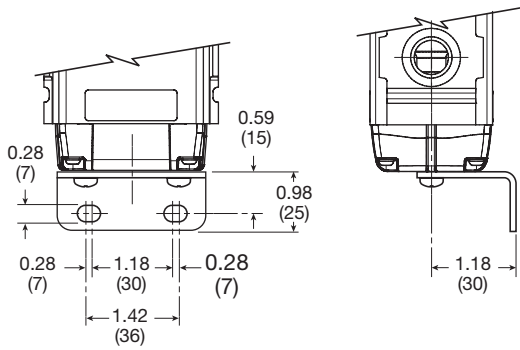
| |
|------------------------|
| B |
| Global Air Preparation |
| Introduction |
| Filters |
| Coalescers |
| Regulators |
| Filter/Regulators |
| Lubricators |
| Combinations |
| Accessories and Kits |

P31P

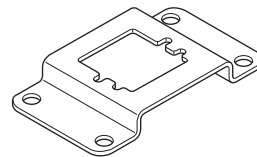
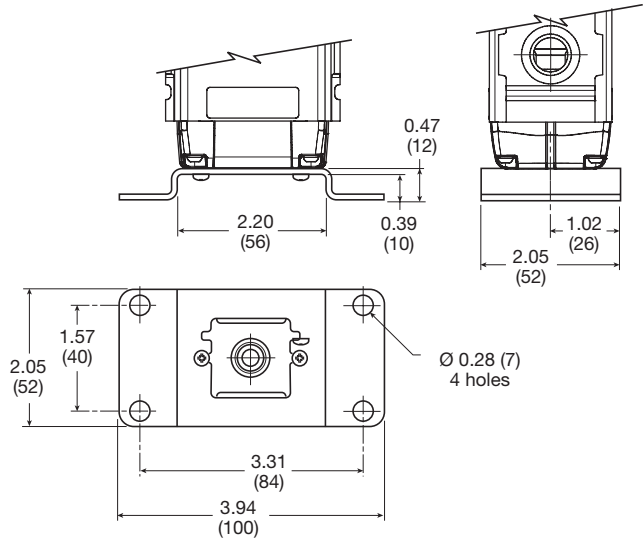
Dimensions inches (mm)



**L-Bracket
P3HKA00ML**



**Foot Bracket
P3HKA00MC**



Cables

| Description | Part Number |
|--|---------------------|
| 2 mtr. cable with moulded straight M12x1 connector | CB-M12-4P-2M |

Most popular.

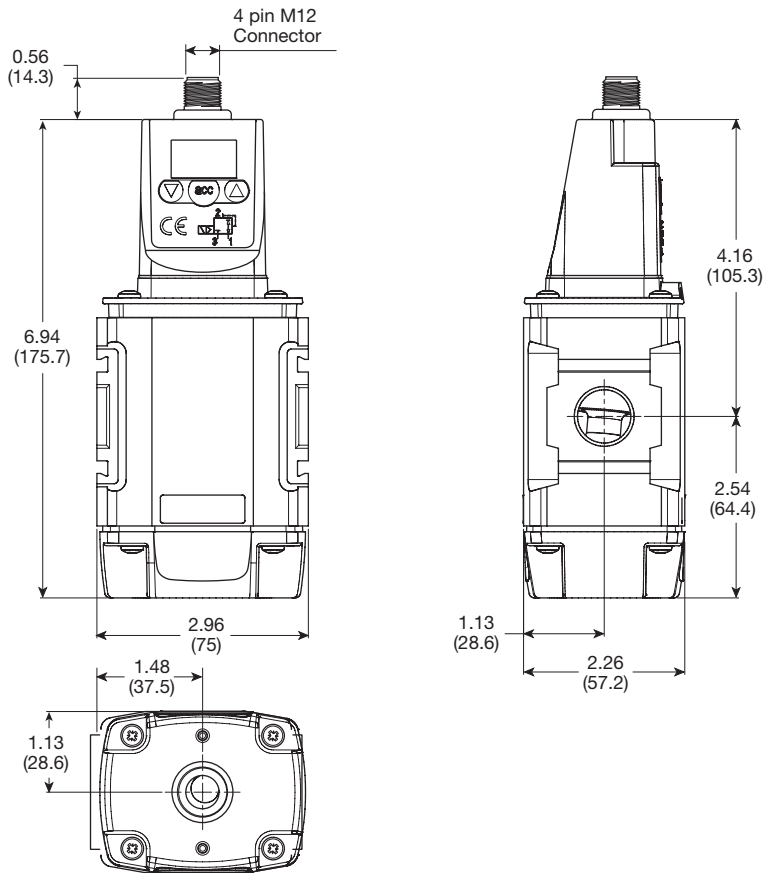
| |
|------------------------|
| B |
| Global Air Preparation |
| Introduction |
| Filters |
| Coalescers |
| Regulators |
| Filter / Regulators |
| Lubricators |
| Combinations |
| Accessories and Kits |



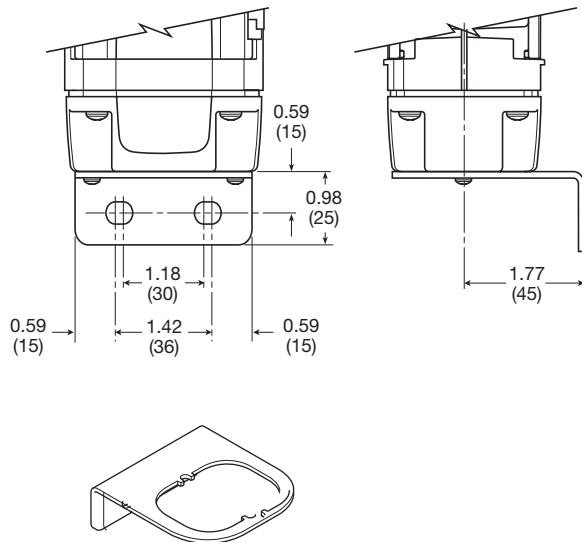
For inventory, lead times, and kit lookup, visit www.pdnplu.com

P32P

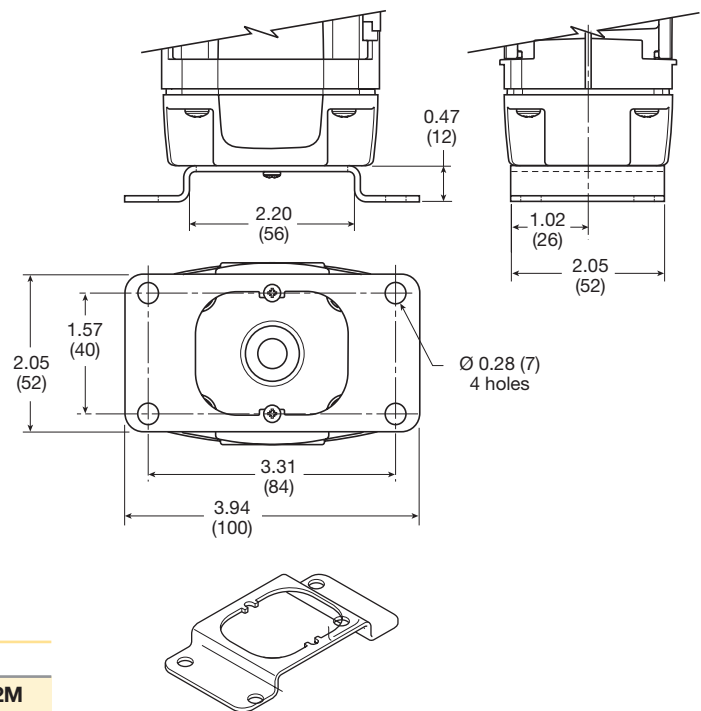
Dimensions inches (mm)



L-Bracket
P3KKA00ML



Foot Bracket
P3KKA00MC



Cables

| Description | Part Number |
|--|---------------------|
| 2 mtr. cable with moulded straight M12x1 connector | CB-M12-4P-2M |

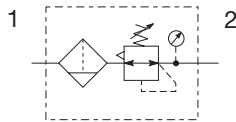
Most popular.



For inventory, lead times, and kit lookup, visit www.pdnplu.com

P31 Filter / Regulators – Mini

- Integral 1/4" ports (NPT, BSPP & BSPT)
- High efficiency 5 micron element as standard
- Excellent water removal efficiency
- Robust but lightweight aluminum construction
- Positive bayonet latch to ensure correct & safe fitting
- Secondary pressure ranges
- Secondary aspiration plus balanced poppet provides quick response and accurate pressure regulation



| Port Size | Description (Relieving) | Bowl / Drain Type † | Part Number |
|-----------|-------------------------|---------------------|-----------------------|
| 1/4" | 125 psig (8 bar) | Poly / Manual | P31EB92EGMBN5P |
| 1/4" | 125 psig (8 bar) | Poly / Pulse | P31EB92EGBBN5P |
| 1/4" | 125 psig (8 bar) | Metal / Manual | P31EB92EMMBN5P |
| 1/4" | 125 psig (8 bar) | Metal / Pulse | P31EB92EMBBN5P |

† For polycarbonate bowl, see caution in Engineering Section A.

Operating information

| | | |
|---------------------------|--------------|--------------------------------------|
| Flow capacity*: | 1/4 | 73 scfm (35 dm ³ /s, ANR) |
| Operating temperature†: | Plastic bowl | 14°F to 125°F (-10°C to 52°C) |
| | Metal bowl | 14°F to 150°F (-10°C to 65.5°C) |
| Supply pressure (max): | Plastic bowl | 150 psig (10 bar) |
| | Metal bowl | 250 psig (17 bar) |
| Standard filtration | | 5 micron |
| Useful retention†: | | 0.4 US oz. (12 cm ³) |
| Adjusting range pressure: | | 0 to 30 psig (0 to 2 bar) |
| | | 0 to 60 psig (0 to 4 bar) |
| | | 0 to 125 psig (0 to 8 bar) |
| | | 0 to 250 psig (0 to 17 bar) |
| Gauge port (2 each)**: | | 1/8 NPT, BSPP, BSPT |
| Weight: | | 0.42 lb (0.19 kg) |

* Inlet pressure 145 psig (10 bar). Secondary pressure 91.3 psig (6.3 bar) and 14.5 psig (1 bar) pressure drop.

** Non-gauge option only.

† Units with square gauges: 5°F to 150°F (-15°C to 65.5°C)

‡ Useful retention refers to volume below the quiet zone baffle.

Air quality: Within ISO 8573-1: 1991 Class 3 (Particulates)
 Within ISO 8573-1: 2001 Class 6 (Particulates)

Ordering Information:

P31EB 9 2 E G M B N 5 P

| Basic Series Global Modular Mini Filter / Regulator P31EB | Thread Type BSPP 1 BSPT 2 NPT 9 | Element 5µ Element E | Port Size 1/4 2 | Bowl Type Poly Bowl with Bowl Guard G Metal Bowl without Sight Gauge M | Drain Type Pulse Drain B Manual Drain M Flex Drain X | Adjustment N Non-Rising Knob | Relief B Relieving N Non-Relieving | Mounting p Plastic Panel Mount Nut | | | | | | | | | | | | | | | | | | | | | | | | | | | | | | | | | | | | | | | | | | | | |
|--|---|--------------------------------|---------------------------|---|--|--|---|--|-------------------|--|------------------|--|------|-----|---|------------------|---------|--------|---|-------------------------|--------|-------|---|-------------------------|---------|-------|----------------|--------------------------|--|--|--|---------------------------|----------------------|--|--|--|--|--|---|-------------------------|--|--|---|-------------------------|--|--|---|--------------------------|--|--|----------------|---------------------------|
| | | | | | | <table border="1"> <thead> <tr> <th colspan="2">With Square Gauge</th> <th colspan="2">Adjustment Range</th> </tr> <tr> <th>psig</th> <th>Bar</th> <th>Z</th> <th>With Round Gauge</th> </tr> </thead> <tbody> <tr> <td>1 = 30*</td> <td>V = 2*</td> <td>M</td> <td>30 psig; 2 Bar; 0.2 MPa</td> </tr> <tr> <td>3 = 60</td> <td>S = 4</td> <td>G</td> <td>60 psig; 4 Bar; 0.4 MPa</td> </tr> <tr> <td>5 = 125</td> <td>T = 8</td> <td>J[§]</td> <td>125 psig; 8 Bar; 0.8 MPa</td> </tr> <tr> <td colspan="2"></td> <td></td> <td>232 psig; 16 Bar; 1.6 MPa</td> </tr> <tr> <td colspan="4">Without Gauge</td> </tr> <tr> <td colspan="2"></td> <td>Y</td> <td>30 psig; 2 Bar; 0.2 MPa</td> </tr> <tr> <td colspan="2"></td> <td>L</td> <td>60 psig; 4 Bar; 0.4 MPa</td> </tr> <tr> <td colspan="2"></td> <td>N</td> <td>125 psig; 8 Bar; 0.8 MPa</td> </tr> <tr> <td colspan="2"></td> <td>H[§]</td> <td>232 psig; 16 Bar; 1.6 MPa</td> </tr> </tbody> </table> | | | With Square Gauge | | Adjustment Range | | psig | Bar | Z | With Round Gauge | 1 = 30* | V = 2* | M | 30 psig; 2 Bar; 0.2 MPa | 3 = 60 | S = 4 | G | 60 psig; 4 Bar; 0.4 MPa | 5 = 125 | T = 8 | J [§] | 125 psig; 8 Bar; 0.8 MPa | | | | 232 psig; 16 Bar; 1.6 MPa | Without Gauge | | | | | | Y | 30 psig; 2 Bar; 0.2 MPa | | | L | 60 psig; 4 Bar; 0.4 MPa | | | N | 125 psig; 8 Bar; 0.8 MPa | | | H [§] | 232 psig; 16 Bar; 1.6 MPa |
| With Square Gauge | | Adjustment Range | | | | | | | | | | | | | | | | | | | | | | | | | | | | | | | | | | | | | | | | | | | | | | | | | | |
| psig | Bar | Z | With Round Gauge | | | | | | | | | | | | | | | | | | | | | | | | | | | | | | | | | | | | | | | | | | | | | | | | | |
| 1 = 30* | V = 2* | M | 30 psig; 2 Bar; 0.2 MPa | | | | | | | | | | | | | | | | | | | | | | | | | | | | | | | | | | | | | | | | | | | | | | | | | |
| 3 = 60 | S = 4 | G | 60 psig; 4 Bar; 0.4 MPa | | | | | | | | | | | | | | | | | | | | | | | | | | | | | | | | | | | | | | | | | | | | | | | | | |
| 5 = 125 | T = 8 | J [§] | 125 psig; 8 Bar; 0.8 MPa | | | | | | | | | | | | | | | | | | | | | | | | | | | | | | | | | | | | | | | | | | | | | | | | | |
| | | | 232 psig; 16 Bar; 1.6 MPa | | | | | | | | | | | | | | | | | | | | | | | | | | | | | | | | | | | | | | | | | | | | | | | | | |
| Without Gauge | | | | | | | | | | | | | | | | | | | | | | | | | | | | | | | | | | | | | | | | | | | | | | | | | | | | |
| | | Y | 30 psig; 2 Bar; 0.2 MPa | | | | | | | | | | | | | | | | | | | | | | | | | | | | | | | | | | | | | | | | | | | | | | | | | |
| | | L | 60 psig; 4 Bar; 0.4 MPa | | | | | | | | | | | | | | | | | | | | | | | | | | | | | | | | | | | | | | | | | | | | | | | | | |
| | | N | 125 psig; 8 Bar; 0.8 MPa | | | | | | | | | | | | | | | | | | | | | | | | | | | | | | | | | | | | | | | | | | | | | | | | | |
| | | H [§] | 232 psig; 16 Bar; 1.6 MPa | | | | | | | | | | | | | | | | | | | | | | | | | | | | | | | | | | | | | | | | | | | | | | | | | |

* Regulator comes with gauge respective to the adjustment range selected.
 § Not available with poly bowl with bowl guard.

Most popular.



For inventory, lead times, and kit lookup, visit www.pdnplu.com

Mini Filter / Regulators

Material Specifications

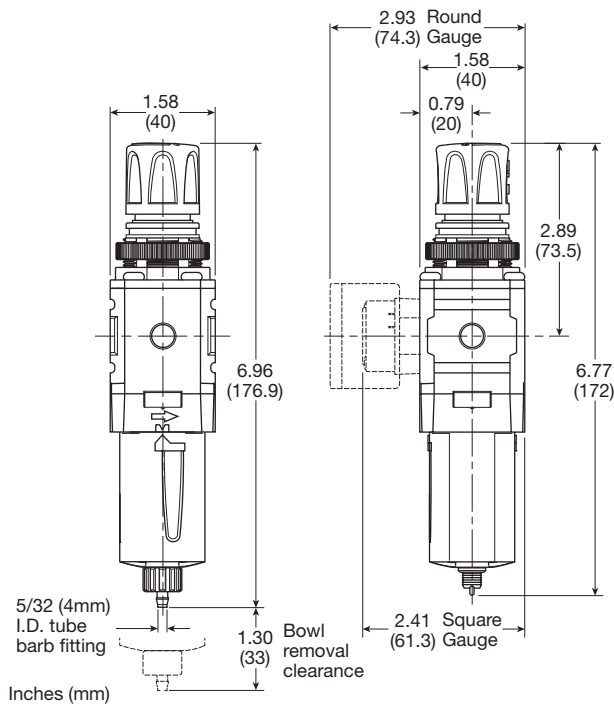
| | |
|--------------------|-----------------|
| Body | Aluminum |
| Adjustment knob | Acetal |
| Body cap | ABS |
| Bonnet | PBT |
| Plastic bowl | Polycarbonate |
| Metal bowl | Aluminum |
| Bowl guard | Nylon |
| Filter element | Polyethylene |
| Seals | Nitrile |
| Springs | Steel |
| Valve assembly | Brass / Nitrile |
| Diaphragm assembly | Brass / Nitrile |
| Panel nut | Acetal |

⚠ WARNING

**Product rupture can cause serious injury.
Do not connect regulator to bottled gas.
Do not exceed Maximum primary pressure rating.**

CAUTION:

REGULATOR PRESSURE ADJUSTMENT – The working range of knob adjustment is designed to permit outlet pressures within their full range. Pressure adjustment beyond this range is also possible because the knob is not a limiting device. This is a common characteristic of most industrial regulators, and limiting devices may be obtained only by special design. For best performance, regulated pressure should always be set by increasing the pressure up to the desired setting.



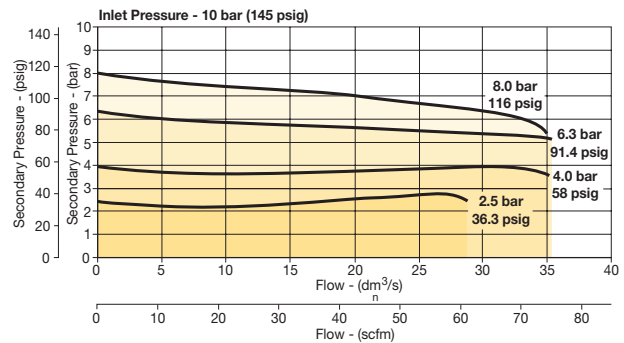
Manual Drain

Pulse Drain

Air Preparation Products Global Air Preparation

Flow Charts

P31EB 1/4" Filter / Regulator



Repair and Service Kits

| | |
|--|-------------------|
| Plastic bowl / bowl guard manual drain | P31KB00BGM |
| Plastic bowl / bowl guard pulse drain | P31KB00BGB |
| Metal bowl / w/o sight gauge pulse drain | P31KB00BMB |
| 5µ particle filter element | P31KA00ESE |
| Diaphragm repair kit - relieving | P31KB00RB |
| Diaphragm repair kit - non-relieving | P31KB00RC |
| Panel mount nut - aluminum | P31KA00MM |
| Panel mount nut - plastic | P31KA00MP |
| Angle bracket (attaches via panel nut) | P31KB00MR |
| C-bracket (fits to body) | P31KA00MW |
| T-bracket with body connector | P31KA00MT |
| Body connector | P31KA00CB |

Gauges

| | | |
|--------------------------|------------|--------------------|
| Square flush mount gauge | 0-4 bar | K4511SCR04B |
| | 0-11 bar | K4511SCR11B |
| | 0-60 psig | K4511SCR060 |
| | 0-160 psig | K4511SCR160 |

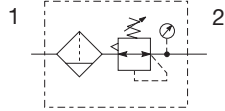
For best performance, regulated pressure should always be set by increasing the pressure up to the desired setting.



For inventory, lead times, and kit lookup, visit www.pdnplu.com

P32 Filter / Regulators – Compact

- Integral 1/4", 3/8" or 1/2" ports (NPT, BSPP & BSPT)
- High efficiency 5 micron element as standard
- Excellent water removal efficiency
- Robust but lightweight aluminum construction
- Positive bayonet latch to ensure correct & safe fitting
- Secondary pressure ranges
- Secondary aspiration plus balanced poppet provides quick response and accurate pressure regulation



| Port Size | Description (Relieving) | Bowl / Drain Type † | Part Number |
|-----------|-------------------------|---------------------|-----------------------|
| 1/4" | 125 psig (8 bar) | Poly / Manual | P32EB92EGMBNGP |
| 1/4" | 125 psig (8 bar) | Poly / Auto | P32EB92EGABNGP |
| 1/4" | 125 psig (8 bar) | Metal / Manual | P32EB92ESMBNGP |
| 1/4" | 125 psig (8 bar) | Metal / Auto | P32EB92ESABNGP |
| 3/8" | 125 psig (8 bar) | Poly / Manual | P32EB93EGMBNGP |
| 3/8" | 125 psig (8 bar) | Poly / Auto | P32EB93EGABNGP |
| 3/8" | 125 psig (8 bar) | Metal / Manual | P32EB93ESMBNGP |
| 3/8" | 125 psig (8 bar) | Metal / Auto | P32EB93ESABNGP |
| 1/2" | 125 psig (8 bar) | Poly / Manual | P32EB94EGMBNGP |
| 1/2" | 125 psig (8 bar) | Poly / Auto | P32EB94EGABNGP |
| 1/2" | 125 psig (8 bar) | Metal / Manual | P32EB94ESMBNGP |
| 1/2" | 125 psig (8 bar) | Metal / Auto | P32EB94ESABNGP |

† For polycarbonate bowl, see caution in Engineering Section A.

Operating information

| | | |
|---------------------------|-----|---|
| Flow capacity*: | 1/4 | 148 scfm (70 dm ³ /s, ANR) |
| | 3/8 | 158 scfm (75 dm ³ /s, ANR) |
| | 1/2 | 164 scfm (77 dm ³ /s, ANR) |
| Operating temperature: | | |
| Plastic bowl | | -13°F to 125°F (-25°C to 52°C) |
| Metal bowl | | -13°F to 150°F (-25°C to 65.5°C) |
| Supply pressure (max): | | |
| Plastic bowl | | 150 psig (10 bar) |
| Metal bowl | | 250 psig (17 bar) |
| Standard filtration: | | 5 micron |
| Useful retention†: | | 1.7 US oz. (51 cm ³) |
| Adjusting range pressure: | | 0 to 30 psig (0 to 2 bar) 0 to 60 psig (0 to 4 bar) 0 to 125 psig (0 to 8 bar) 0 to 250 psig (0 to 17 bar) |
| Gauge port (2 each): | | 1/4 NPT, BSPP, BSPT |
| Weight: | | 1.17 lb (0.53 kg) |

* Inlet pressure 145 psig (10 bar). Secondary pressure 91.3 psig (6.3 bar) and 14.5 psig (1 bar) pressure drop.

† Useful retention refers to volume below the quiet zone baffle.

Air quality: Within ISO 8573-1: 1991 Class 3 (Particulates)
Within ISO 8573-1: 2001 Class 6 (Particulates)

Ordering Information:

P32EB 9 2 E G M B N 5 P

| | | | | | | | |
|---|---|--------------------------------|---|--|---|--|--|
| Basic Series Global Modular Compact Filter / Regulator P32EB | Thread Type BSPP 1 BSPT 2 NPT 9 | Element 5µ Element E | Port Size 1/4 2 3/8 3 1/2 4 | Bowl Type Poly Bowl with Bowl Guard G Metal Bowl without Sight Gauge M Metal Bowl with Sight Gauge S | Drain Type Manual Drain M Auto Drain A Flex Drain X | Adjustment N Non-Rising Knob T T-Handle | Mounting P Plastic Panel Mount Nut |
| | | | | | | Relief B Relieving N Non-Relieving | |
| | | | | | | Adjustment Range | |
| | | | | | | With Square Gauge | With Round Gauge |
| | | | | | | psig Bar | Z 30 psig; 2 Bar; 0.2 MPa |
| | | | | | | 1 = 30* V = 2* | M 60 psig; 4 Bar; 0.4 MPa |
| | | | | | | 3 = 60 S = 4 | G 125 psig; 8 Bar; 0.8 MPa |
| | | | | | | 5 = 125 T = 8 | J [§] 250 psig; 17 Bar; 1.7 MPa |
| | | | | | | | Without Gauge |
| | | | | | | | Y 30 psig; 2 Bar; 0.2 MPa |
| | | | | | | | L 60 psig; 4 Bar; 0.4 MPa |
| | | | | | | | N 125 psig; 8 Bar; 0.8 MPa |
| | | | | | | | H [§] 250 psig; 17 Bar; 1.7 MPa |

* Regulator comes with gauge respective to the adjustment range selected.
§ Not available with poly bowl with bowl guard.

Most popular.

B
Global Air Preparation

Introduction

Filters

Coalescers

Regulators

Filter / Regulators

Lubricators

Combinations

Accessories and Kits



For inventory, lead times, and kit lookup, visit www.pdnplu.com

Compact Filter / Regulators

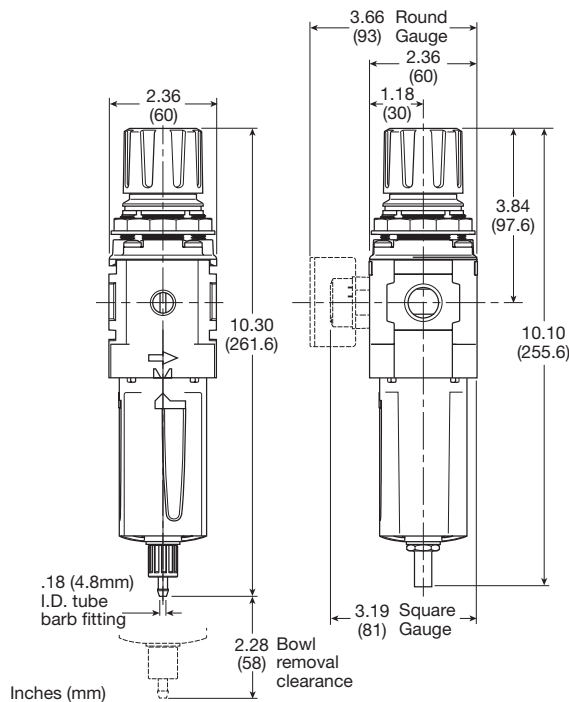
Air Preparation Products Global Air Preparation

Material Specifications

| | |
|---------------------------|------------------------|
| Body | Aluminum |
| Adjustment knob | Acetal |
| Element retainer / baffle | Acetal |
| Plastic bowl | Polycarbonate |
| Metal bowl | Aluminum |
| Bowl guard | Nylon |
| Filter element | Sintered polyethylene |
| Seals | Nitrile |
| Springs | Steel, stainless steel |
| Valve assembly | Brass / nitrile |
| Diaphragm assembly | Nitrile / zinc |
| Panel nut | Acetal |
| Sight gauge | Nylon |

Repair and Service Kits

| | |
|---|-------------------|
| Plastic bowl / bowl guard manual drain | P32KB00BGM |
| Metal bowl / sight gauge manual drain | P32KB00BSM |
| Auto drain | P32KA00DA |
| 5µ particle filter element | P32KA00ESE |
| Diaphragm repair kit - relieving | P32KB00RB |
| Diaphragm repair kit - non-relieving | P32KB00RC |
| Panel mount nut - aluminum | P32KA00MM |
| Panel mount nut - plastic | P32KA00MP |
| Angle bracket (fits to panel mount threads) | P32KB00MR |
| T-bracket (fits to body connector) | P32KA00MB |
| T-bracket with body connector | P32KA00MT |
| Body connector | P32KA00CB |

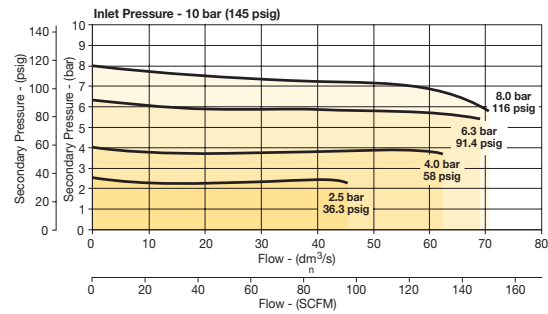


Manual Drain

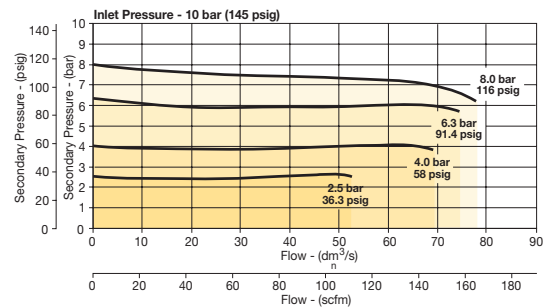
Automatic Drain

Flow Charts

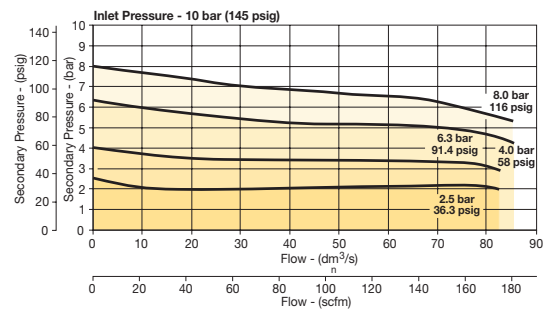
P32EB 1/4" Filter / Regulator



P32EB3/8" Filter/Regulator



P32EB 1/2" Filter/Regulator



⚠ WARNING

**Product rupture can cause serious injury.
Do not connect regulator to bottled gas.
Do not exceed Maximum primary pressure rating.**

CAUTION:

REGULATOR PRESSURE ADJUSTMENT – The working range of knob adjustment is designed to permit outlet pressures within their full range. Pressure adjustment beyond this range is also possible because the knob is not a limiting device. This is a common characteristic of most industrial regulators, and limiting devices may be obtained only by special design. For best performance, regulated pressure should always be set by increasing the pressure up to the desired setting.

Gauges

| | | |
|--|-----------------------|--------------------|
| 50mm (2") round 1/4" center back mount | 0-30 psig / 0-2 bar | K4520N14030 |
| | 0-60 psig / 0-4 bar | K4520N14060 |
| | 0-160 psig / 0-11 bar | K4520N14160 |
| | 0-300 psig / 0-20 bar | K4520N14300 |

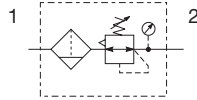
For best performance, regulated pressure should always be set by increasing the pressure up to the desired setting.



For inventory, lead times, and kit lookup, visit www.pdnplu.com

P32 Semi-Precision Filter / Regulators – Compact

- Integral 1/4", 3/8" or 1/2" ports (NPT, BSPP & BSPT)
- High efficiency 5 micron element as standard
- Excellent water removal efficiency
- Robust but lightweight aluminum construction
- Positive bayonet latch to ensure correct & safe fitting
- Secondary pressure ranges
- Secondary aspiration plus balanced poppet provides quick response and accurate pressure regulation



| Port Size | Description / Relieving | Bowl / Drain Type † | Part Number |
|-----------|-------------------------|---------------------|-----------------------|
| 1/4" | 125 psig (8 bar) | Poly / Manual | P32EB92EGMPNGP |
| 1/4" | 125 psig (8 bar) | Poly / Auto | P32EB92EGAPNGP |
| 1/4" | 125 psig (8 bar) | Metal / Manual | P32EB92ESMPNGP |
| 1/4" | 125 psig (8 bar) | Metal / Auto | P32EB92ESAPNGP |
| 3/8" | 125 psig (8 bar) | Poly / Manual | P32EB93EGMPNGP |
| 3/8" | 125 psig (8 bar) | Poly / Auto | P32EB93EGAPNGP |
| 3/8" | 125 psig (8 bar) | Metal / Manual | P32EB93ESMPNGP |
| 3/8" | 125 psig (8 bar) | Metal / Auto | P32EB93ESAPNGP |
| 1/2" | 125 psig (8 bar) | Poly / Manual | P32EB94EGMPNGP |
| 1/2" | 125 psig (8 bar) | Poly / Auto | P32EB94EGAPNGP |
| 1/2" | 125 psig (8 bar) | Metal / Manual | P32EB94ESMPNGP |
| 1/2" | 125 psig (8 bar) | Metal / Auto | P32EB94ESAPNGP |

† For polycarbonate bowl, see caution in Engineering Section A.

Operating information

| | |
|-------------------------------------|---|
| Flow capacity*: 1/4, 3/8, 1/2 | 75 scfm (35 dm ³ /s, ANR) |
| Effect of supply pressure variation | 0.6 psig (0.04 bar) for 25 psig (1.7 bar) change in P1 |
| Operating temperature: | |
| Plastic bowl | -13°F to 125°F (-25°C to 52°C) |
| Metal bowl | -13°F to 150°F (-25°C to 65.5°C) |
| Supply pressure (max): | |
| Plastic bowl | 150 psig (10 bar) |
| Metal bowl | 250 psig (17 bar) |
| Standard filtration: | 5 micron |
| Useful retention [†] : | 1.7 US oz. (51 cm ³) |
| Adjusting range pressure: | 0 to 30 psig (0 to 2 bar) 0 to 60 psig (0 to 4 bar) 0 to 125 psig (0 to 8 bar) 0 to 250 psig (0 to 17 bar) |
| Gauge port (2 each): | 1/4 NPT, BSPP, BSPT |
| Weight: | 1.17 lbs (0.53 kg) |

* Inlet pressure 145 psig (10 bar). Secondary pressure 91.3 psig (6.3 bar) and 14.5 psig (1 bar) pressure drop.

† Useful retention refers to volume below the quiet zone baffle.

Air quality: Within ISO 8573-1: 1991 Class 3 (Particulates)
Within ISO 8573-1: 2001 Class 6 (Particulates)

Ordering Information:

P32EB 9 2 E G M P N G P

| | | | | | | | | |
|--|---|--------------------------------|---|--|---|--|---|--|
| Basic Series Global Modular Compact Filter / Regulator P32EB | Thread Type BSPP 1 BSPT 2 NPT 9 | Element 5µ Element E | Port Size 1/4 2 3/8 3 1/2 4 | Bowl Type Poly Bowl with Bowl Guard G Metal Bowl without Sight Gauge M Metal Bowl with Sight Gauge S | Drain Type Manual Drain M Auto Drain A | Adjustment N Non-Rising Knob T T-Handle | Relief P Semi-Precision Relieving T Semi-Precision Non-Relieving | Mounting P Plastic Panel Mount Nut |
| | | | | | | Adjustment Range | | |
| | | With Square Gauge | | With Round Gauge | | | | |
| | | psig | Bar | Z | 30 psig; 2 Bar; 0.2 MPa | | | |
| | | 1 = 30* | V = 2* | M | 60 psig; 4 Bar; 0.4 MPa | | | |
| | | 3 = 60 | S = 4 | G | 125 psig; 8 Bar; 0.8 MPa | | | |
| | | 5 = 125 | T = 8 | J [§] | 250 psig; 17 Bar; 1.7 MPa | | | |
| | | | | | | Without Gauge | | |
| | | | | Y | 30 psig; 2 Bar; 0.2 MPa | | | |
| | | | | L | 60 psig; 4 Bar; 0.4 MPa | | | |
| | | | | N | 125 psig; 8 Bar; 0.8 MPa | | | |
| | | | | H [§] | 250 psig; 17 Bar; 1.7 MPa | | | |

* Regulator comes with gauge respective to the adjustment range selected.
§ Not available with poly bowl with bowl guard.

Most popular.

B

Global Air Preparation

Introduction

Filters

Coalescers

Regulators

Filter / Regulators

Lubricators

Combinations

Accessories and Kits



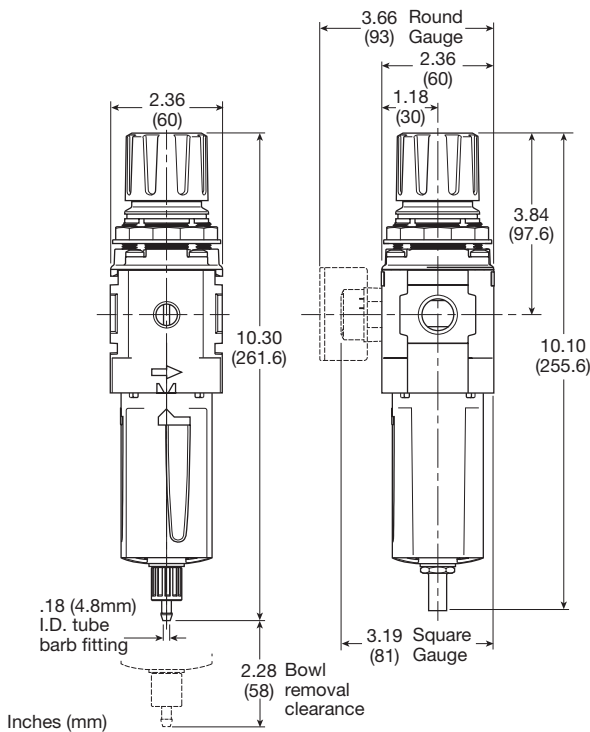
For inventory, lead times, and kit lookup, visit www.pdnplu.com

Material Specifications

| | |
|---------------------------|------------------------|
| Body | Aluminum |
| Adjustment knob | Acetal |
| Element retainer / baffle | Acetal |
| Plastic bowl | Polycarbonate |
| Metal bowl | Aluminum |
| Bowl guard | Nylon |
| Filter element | Sintered polyethylene |
| Seals | Nitrile |
| Springs | Steel, stainless steel |
| Valve assembly | Brass / nitrile |
| Diaphragm assembly | Nitrile / zinc |
| Panel nut | Acetal |
| Sight gauge | Nylon |

Repair and Service Kits

| | |
|---|-------------------|
| Plastic bowl / bowl guard manual drain | P32KB00BGM |
| Metal bowl / sight gauge manual drain | P32KB00BSM |
| Auto drain | P32KA00DA |
| 5µ particle filter element | P32KA00ESE |
| Diaphragm repair kit - relieving | P32KB00RB |
| Diaphragm repair kit - non-relieving | P32KB00RC |
| Panel mount nut - aluminum | P32KA00MM |
| Panel mount nut - plastic | P32KA00MP |
| Angle bracket (fits to panel mount threads) | P32KB00MR |
| T-bracket (fits to body connector) | P32KA00MB |
| T-bracket with body connector | P32KA00MT |
| Body connector | P32KA00CB |

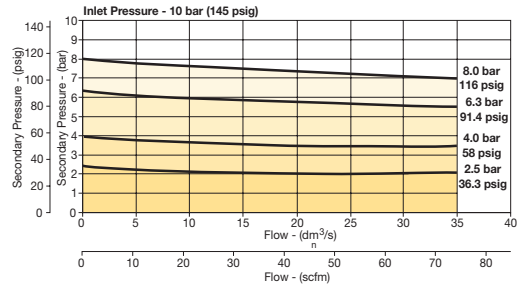


Manual Drain

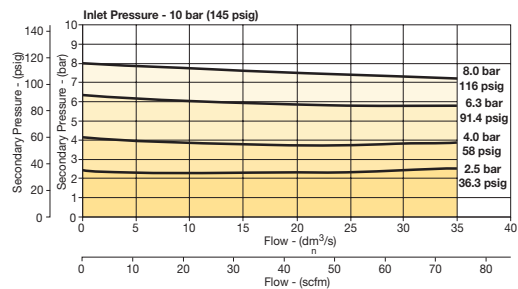
Automatic Drain

Flow Charts

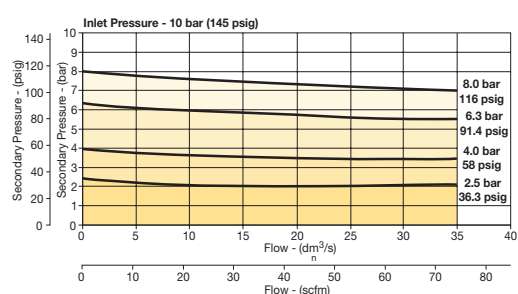
P32EB 1/4" Filter / Regulator



P32EB 3/8" Filter/Regulator



P32EB 1/2" Filter/Regulator



WARNING

Product rupture can cause serious injury.
Do not connect regulator to bottled gas.
Do not exceed Maximum primary pressure rating.

CAUTION:

REGULATOR PRESSURE ADJUSTMENT – The working range of knob adjustment is designed to permit outlet pressures within their full range. Pressure adjustment beyond this range is also possible because the knob is not a limiting device. This is a common characteristic of most industrial regulators, and limiting devices may be obtained only by special design. For best performance, regulated pressure should always be set by increasing the pressure up to the desired setting.

Gauges

| | | |
|--|-----------------------|--------------------|
| 50mm (2") round 1/4" center back mount | 0-30 psig / 0-2 bar | K4520N14030 |
| | 0-60 psig / 0-4 bar | K4520N14060 |
| | 0-160 psig / 0-11 bar | K4520N14160 |
| | 0-300 psig / 0-20 bar | K4520N14300 |

For best performance, regulated pressure should always be set by increasing the pressure up to the desired setting.

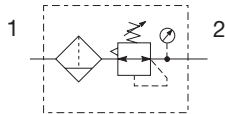


For inventory, lead times, and kit lookup, visit www.pdnplu.com

Standard Filter / Regulators

P33 Filter / Regulators – Standard

- Integral 1/2" or 3/4" ports (NPT, BSPP & BSPT)
- High efficiency 5 micron element as standard
- Excellent water removal efficiency
- Robust but lightweight aluminum construction
- Positive bayonet latch to ensure correct & safe fitting
- Secondary pressure ranges
- Secondary aspiration plus balanced poppet provides quick response and accurate pressure regulation



| Port Size | Description / Relieving | Bowl / Drain Type † | Part Number |
|-----------|-------------------------|---------------------|-----------------------|
| 1/2" | 125 psig (8 bar) | Poly / Manual | P33EA94EGMBNGP |
| 1/2" | 125 psig (8 bar) | Poly / Auto | P33EA94EGABNGP |
| 1/2" | 125 psig (8 bar) | Metal / Manual | P33EA94ESMBNGP |
| 1/2" | 125 psig (8 bar) | Metal / Auto | P33EA94ESABNGP |
| 3/4" | 125 psig (8 bar) | Poly / Manual | P33EA96EGMBNGP |
| 3/4" | 125 psig (8 bar) | Poly / Auto | P33EA96EGABNGP |
| 3/4" | 125 psig (8 bar) | Metal / Manual | P33EA96ESMBNGP |
| 3/4" | 125 psig (8 bar) | Metal / Auto | P33EA96ESABNGP |

† For polycarbonate bowl, see caution in Engineering Section A.

Operating information

| | | |
|---------------------------|-----|--|
| Flow capacity*: | 1/2 | 200 scfm (94 dm ³ /s, ANR) |
| | 3/4 | 235 scfm (109 dm ³ /s, ANR) |
| Operating temperature: | | |
| Plastic bowl | | -13°F to 125°F (-25°C to 52°C) |
| Metal bowl | | -13°F to 150°F (-25°C to 65.5°C) |
| Supply pressure (max): | | |
| Plastic bowl | | 150 psig (10 bar) |
| Metal bowl | | 250 psig (17 bar) |
| Standard filtration: | | 5 micron |
| Useful retention†: | | 2.8 US oz. (85 cm ³) |
| Adjusting range pressure: | | 0 to 30 psig (0 to 2 bar) |
| | | 0 to 60 psig (0 to 4 bar) |
| | | 0 to 125 psig (0 to 8 bar) |
| | | 0 to 250 psig (0 to 17 bar) |
| Gauge port (2 each): | | 1/4 NPT, BSPP, BSPT |
| Weight: | | 1.87 lbs (0.85 kg) |

* Inlet pressure 145 psig (10 bar). Secondary pressure 91.3 psig (6.3 bar) and 14.5 psig (1 bar) pressure drop.
† Useful retention refers to volume below the quiet zone baffle.

Air quality: Within ISO 8573-1: 1991 Class 3 (Particulates)
Within ISO 8573-1: 2001 Class 6 (Particulates)

Ordering Information:

P33EA 9 6 E G M B N G P

| | | | | | | | | | |
|--|---|--------------------------------|------------------------------------|--|--|---|---|--|--|
| Basic Series Global Modular Standard Filter / Regulator P33EA | Thread Type BSPP 1 BSPT 2 NPT 9 | Element 5µ Element E | Port Size 1/2 4 3/4 6 | Bowl Type Poly Bowl with Bowl Guard G Metal Bowl without Sight Gauge M Metal Bowl with Sight Gauge S | Adjustment N Non-Rising Knob | Relief B Relieving N Non-Relieving | Drain Type M Manual Drain A Auto Drain | Mounting P Plastic Panel Mount Nut | Adjustment Range With Round Gauge Z 30 psig; 2 Bar; 0.2 MPa M 60 psig; 4 Bar; 0.4 MPa G 125 psig; 8 Bar; 0.8 MPa J [§] 250 psig; 17 Bar; 1.7 MPa Without Gauge Y 30 psig; 2 Bar; 0.2 MPa L 60 psig; 4 Bar; 0.4 MPa N 125 psig; 8 Bar; 0.8 MPa H [§] 250 psig; 17 Bar; 1.7 MPa |
|--|---|--------------------------------|------------------------------------|--|--|---|---|--|--|

§ Not available with poly bowl with bowl guard.

Most popular.



For inventory, lead times, and kit lookup, visit www.pdnplu.com

Standard Filter / Regulators

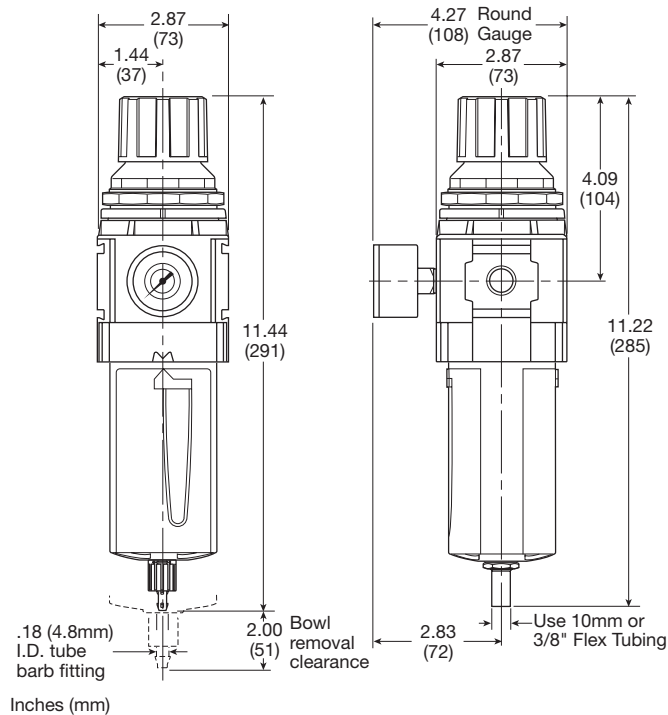
Air Preparation Products Global Air Preparation

Material Specifications

| | |
|---------------------------|------------------------|
| Body | Aluminum |
| Adjustment knob | Acetal |
| Body cap | ABS |
| Element retainer / baffle | Acetal |
| Plastic bowl | Polycarbonate |
| Metal bowl | Aluminum |
| Filter element | Sintered Polyethylene |
| Seals | Nitrile |
| Springs | Steel, stainless steel |
| Valve assembly | Brass / nitrile |
| Diaphragm assembly | Nitrile / zinc |
| Panel nut | Acetal |
| Sight gauge | Nylon |

Repair and Service Kits

| | |
|---|-------------------|
| Plastic bowl / bowl guard, manual drain | P33KA00BGM |
| Metal bowl / sight gauge, manual drain | P33KA00BSM |
| Auto drain | P32KA00DA |
| 5µ particle filter element | P33KA00ESE |
| Diaphragm repair kit - Relieving | P33KA00RB |
| Diaphragm repair kit - Non-relieving | P33KA00RC |
| Panel mount nut - Aluminum | P33KA00MM |
| Panel mount nut - Plastic | P33KA00MP |
| Angle bracket (fits to panel mount threads) | P33KA00MR |
| T-bracket (fits to body connector) | P32KA00MB |
| T-bracket with body connector | P32KA00MT |
| Body connector | P32KA00CB |

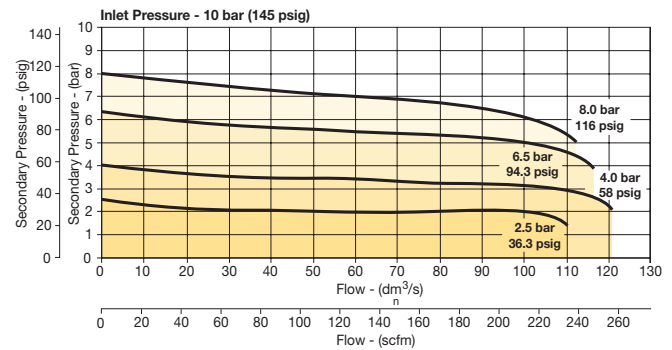


Manual Drain

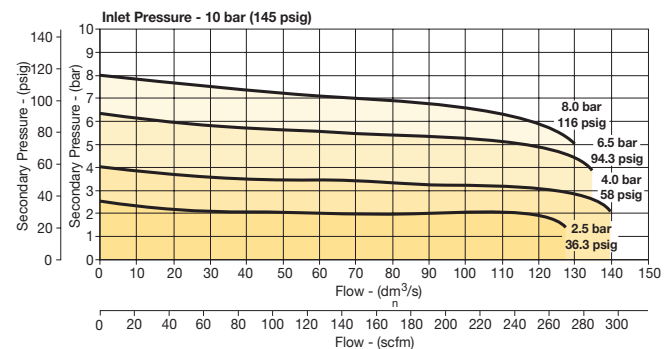
Automatic Drain

Flow Charts

P33EA 1/2" Filter / Regulator



P33EA 3/4" Filter/Regulator



WARNING

Product rupture can cause serious injury. Do not connect regulator to bottled gas. Do not exceed Maximum primary pressure rating.

CAUTION:

REGULATOR PRESSURE ADJUSTMENT – The working range of knob adjustment is designed to permit outlet pressures within their full range. Pressure adjustment beyond this range is also possible because the knob is not a limiting device. This is a common characteristic of most industrial regulators, and limiting devices may be obtained only by special design. For best performance, regulated pressure should always be set by increasing the pressure up to the desired setting.

Gauges

| | | |
|------------------------|-----------------------|--------------------|
| 50mm (2") round | 0-30 psig / 0-2 bar | K4520N14030 |
| 1/4" center back mount | 0-60 psig / 0-4 bar | K4520N14060 |
| | 0-160 psig / 0-11 bar | K4520N14160 |
| | 0-300 psig / 0-20 bar | K4520N14300 |

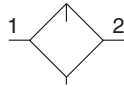
For best performance, regulated pressure should always be set by increasing the pressure up to the desired setting.



For inventory, lead times, and kit lookup, visit www.pdnplu.com

P31 Lubricators – Mini

- Integral 1/4" ports (NPT, BSPP & BSPT)
- Robust but lightweight aluminum construction
- Proportional oil delivery over a wide range of air flows
- Finger tip ratchet control for precise oil drip rate adjustment



Lubricator with drain

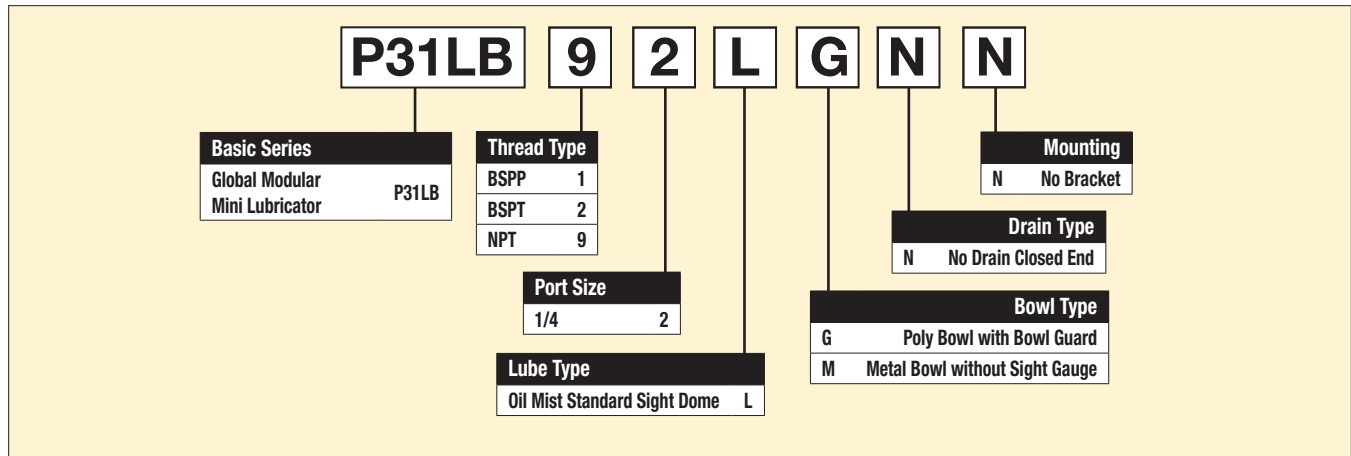
| Port Size | Description † | Part Number |
|-----------|-----------------------|--------------------|
| 1/4" | Poly Bowl - No Drain | P31LB92LGNN |
| 1/4" | Metal Bowl - No Drain | P31LB92LMNN |

† For polycarbonate bowl, see caution in Engineering Section A.

Operating information

| | |
|--|--------------------------------------|
| Flow capacity*: | |
| 1/4 | 52 scfm (25 dm ³ /s, ANR) |
| Operating temperature: | |
| Plastic bowl | 14°F to 125°F (-10°C to 52°C) |
| Metal bowl | 14°F to 150°F (-10°C to 65.5°C) |
| Supply pressure (max): | |
| Plastic bowl | 150 psig (10 bar) |
| Metal bowl | 250 psig (17 bar) |
| Bowl capacity: | 0.6 US oz. (18 cm ³) |
| Weight: | 0.29 lb (0.13 kg) |
| * Inlet pressure 91.3 psig (6.3 bar). Pressure drop 4.9 psig (0.34 bar). | |

Ordering Information:



Suggested LubricantF442 Oil

Petroleum based oil of 100 to 200 SUS viscosity at 100°F (38°C) and an aniline point greater than 200°F (93°C)
 (DO NOT USE OILS WITH ADDITIVES, COMPOUNDED OILS CONTAINING SOLVENTS, GRAPHITE, DETERGENTS, OR SYNTHETIC OILS.)

Most popular.



For inventory, lead times, and kit lookup, visit www.pdnplu.com

B50

Parker Hannifin Corporation
 Pneumatic Division
 Richland, Michigan
www.parker.com/pneumatics

B
 Global Air Preparation
 Introduction
 Filters
 Coalescers
 Regulators
 Filter / Regulators
 Lubricators
 Combinations
 Accessories and Kits

Material Specifications

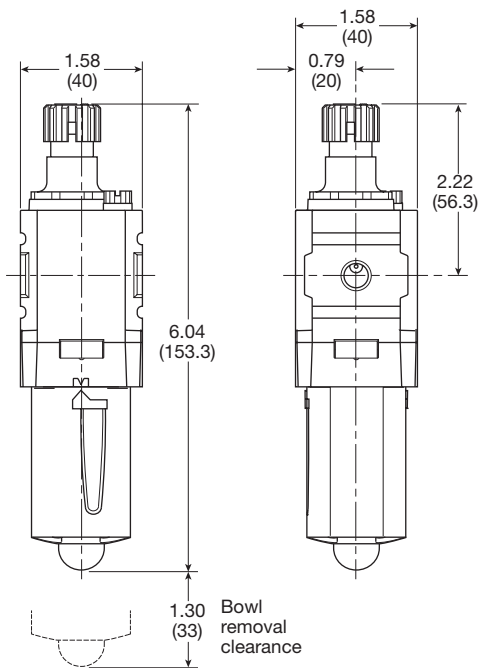
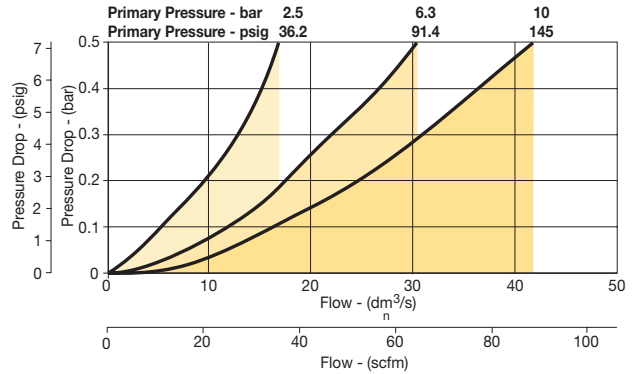
| | |
|---------------------|-----------------|
| Body | Aluminum |
| Body cap | ABS |
| Plastic bowl | Polycarbonate |
| Metal bowl | Aluminum |
| Seals | Nitrile |
| Sight dome | Polycarbonate |
| Suggested lubricant | ISO / ASTM VG32 |
| Pick-up filter | Sintered bronze |

Repair and Service Kits

| | |
|---------------------------------------|-------------------|
| Plastic bowl / bowl guard no drain | P31KB00BGN |
| Metal bowl / w/o sight gauge no drain | P31KB00BMN |
| Drip control assembly | P32KA00PG |
| Fill plug | P31KA00PL |
| C-bracket (fits to body) | P31KA00MW |
| T-bracket with body connector | P31KA00MT |
| Body connector | P31KA00CB |
| Oil (1 quart) | F442001 |
| Oil (1 gallon) | F442002 |
| Oil (12 quart case) | F442003 |
| Oil (4 gallon case) | F442005 |

Flow Charts

P31LB 1/4" Lubricator



Inches (mm)

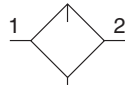
| |
|------------------------|
| B |
| Global Air Preparation |
| Introduction |
| Filters |
| Coalescers |
| Regulators |
| Filter/Regulators |
| Lubricators |
| Combinations |
| Accessories and Kits |



For inventory, lead times, and kit lookup, visit www.pdnplu.com

P32 Lubricators – Compact

- Integral 1/4", 3/8" or 1/2" ports (NPT, BSPP & BSPT)
- Robust but lightweight aluminum construction
- Proportional oil delivery over a wide range of air flows
- Finger tip ratchet control for precise oil drip rate adjustment
- Fill from top under system pressure



Lubricator with drain



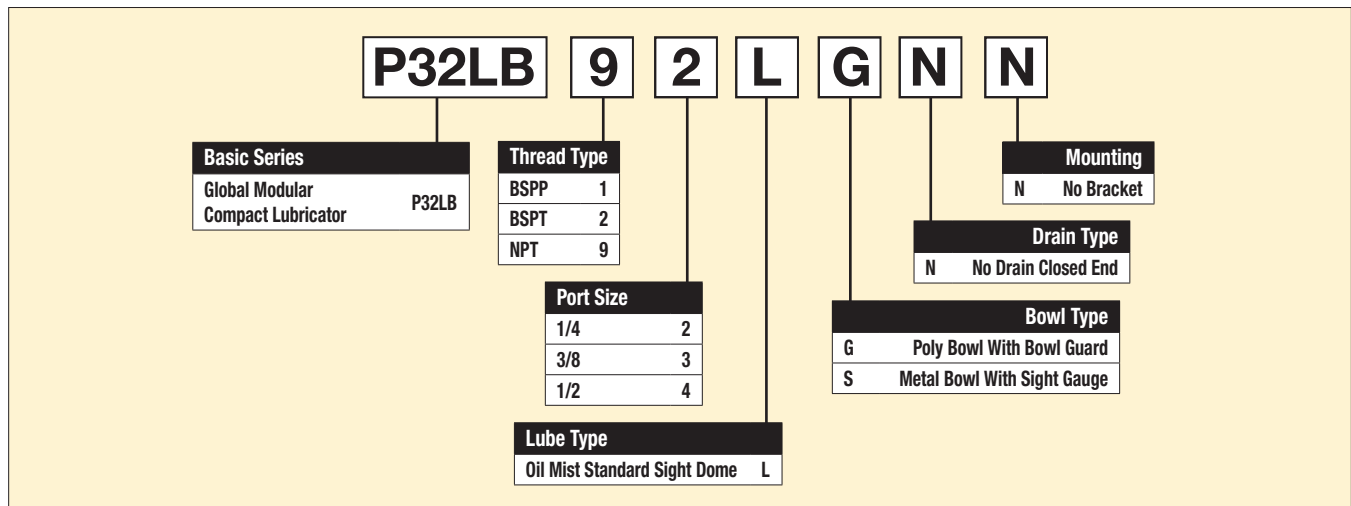
Operating information

| | |
|--|--------------------------------------|
| Flow capacity*: | |
| 1/4 | 38 scfm (17 dm ³ /s, ANR) |
| 3/8 | 70 scfm (33 dm ³ /s, ANR) |
| 1/2 | 90 scfm (42 dm ³ /s, ANR) |
| Operating temperature: | |
| Plastic bowl | 14°F to 125°F (-10°C to 52°C) |
| Metal bowl | 14°F to 150°F (-10°C to 65.5°C) |
| Supply pressure (max): | |
| Plastic bowl | 150 psig (10 bar) |
| Metal bowl | 250 psig (17 bar) |
| Bowl capacity: | 4.09 US oz. (121 cm ³) |
| Weight: | 0.68 lb (0.31 kg) |
| * Inlet pressure 91.3 psig (6.3 bar). Pressure drop 4.9 psig (0.34 bar). | |

| Port Size | Description † | Part Number |
|-----------|-----------------------|--------------------|
| 1/4" | Poly Bowl - No Drain | P32LB92LGNN |
| 1/4" | Metal Bowl - No Drain | P32LB92LSNN |
| 3/8" | Poly Bowl - No Drain | P32LB93LGNN |
| 3/8" | Metal Bowl - No Drain | P32LB93LSNN |
| 1/2" | Poly Bowl - No Drain | P32LB94LGNN |
| 1/2" | Metal Bowl - No Drain | P32LB94LSNN |

† For polycarbonate bowl, see caution in Engineering Section A.

Ordering Information:



Suggested Lubricant **F442 Oil**
 Petroleum based oil of 100 to 200 SUS viscosity at 100°F (38°C) and an aniline point greater than 200°F (93°C)
 (DO NOT USE OILS WITH ADDITIVES, COMPOUNDED OILS CONTAINING SOLVENTS, GRAPHITE, DETERGENTS, OR SYNTHETIC OILS.)

Most popular.

B
 Global Air Preparation

Introduction

Filters

Coalescers

Regulators

Filter / Regulators

Lubricators

Combinations

Accessories and Kits



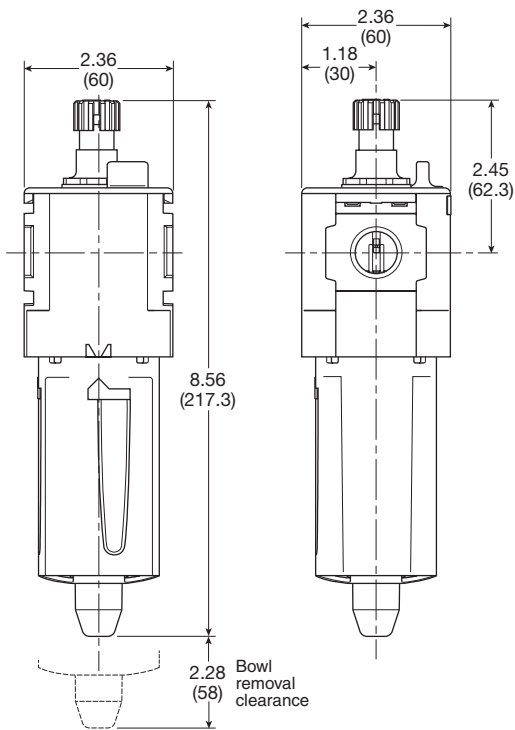
For inventory, lead times, and kit lookup, visit www.pdnplu.com

Material Specifications

| | |
|---------------------|-----------------|
| Body | Aluminum |
| Body cap | ABS |
| Plastic bowl | Polycarbonate |
| Metal bowl | Aluminum |
| Seals | Nitrile |
| Sight dome | Polycarbonate |
| Sight gauge | Nylon |
| Suggested lubricant | ISO / ASTM VG32 |
| Pick-up filter | Sintered bronze |

Repair and Service Kits

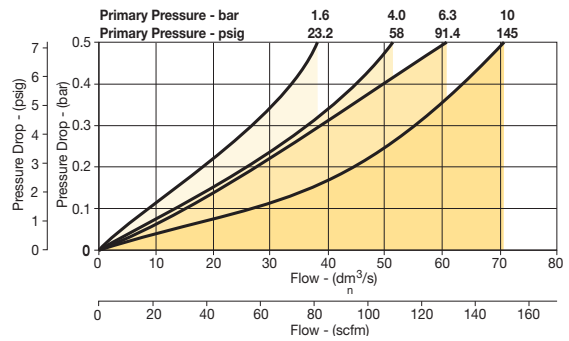
| | |
|---------------------------------------|-------------------|
| Plastic bowl / bowl guard no drain | P32KB00BGN |
| Metal bowl / w/o sight gauge no drain | P32KB00BMN |
| Metal bowl / Sight gauge no drain | P32KB00BSN |
| Drip control assembly | P32KA00PG |
| Fill plug | P32KA00PL |
| L-bracket (fits to body) | P32KA00ML |
| T-bracket (fits to body connector) | P32KA00MB |
| T-bracket with body connector | P32KA00MT |
| Body connector | P32KA00CB |
| Oil (1 quart) | F442001 |
| Oil (1 gallon) | F442002 |
| Oil (12 quart case) | F442003 |
| Oil (4 gallon case) | F442005 |



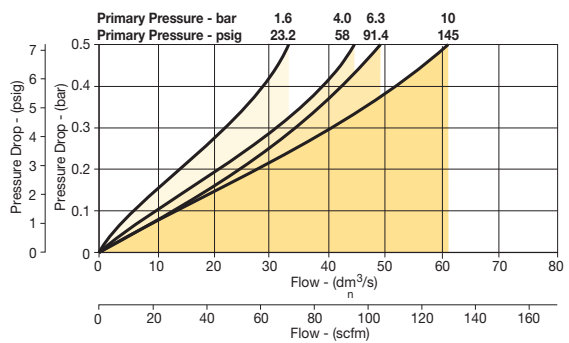
Inches (mm)

Flow Charts

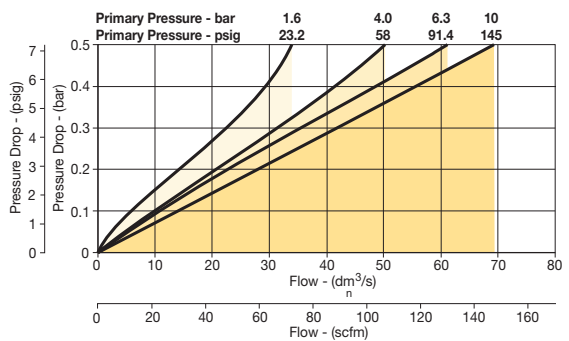
P32LB 1/4" Lubricator



P32LB 3/8" Lubricator



P32LB 1/2" Lubricator



B

Global Air Preparation

Introduction

Filters

Coalescers

Regulators

Filter/Regulators

Lubricators

Combinations

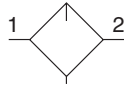
Accessories and Kits



For inventory, lead times, and kit lookup, visit www.pdnplu.com

P33 Lubricators – Standard

- Integral 1/2" or 3/4" ports (NPT, BSPP & BSPT)
- Robust but lightweight aluminum construction
- Proportional oil delivery over a wide range of air flows
- Finger tip ratchet control for precise oil drip rate adjustment
- Fill from top under system pressure



Lubricator with drain



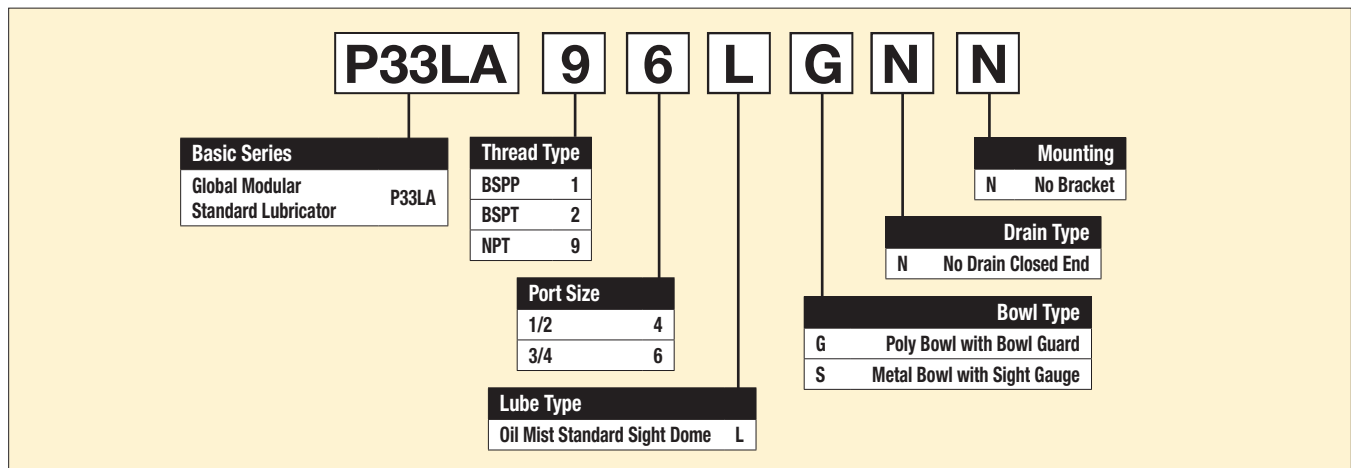
Operating information

| | |
|--|---------------------------------------|
| Flow capacity*: | |
| 1/2 | 110 scfm (52 dm ³ /s, ANR) |
| 3/4 | 150 scfm (71 dm ³ /s, ANR) |
| Operating temperature: | |
| Plastic bowl | 14°F to 125°F (-10°C to 52°C) |
| Metal bowl | 14°F to 150°F (-10°C to 65.5°C) |
| Supply pressure (max): | |
| Plastic bowl | 150 psig (10 bar) |
| Metal bowl | 250 psig (17 bar) |
| Bowl capacity: | 6.1 US oz. (181 cm ³) |
| Weight: | 1.04 lb (0.47 kg) |
| * Inlet pressure 91.3 psig (6.3 bar). Pressure drop 4.9 psig (0.34 bar). | |

| Port Size | Description † | Part Number |
|-----------|-----------------------|--------------------|
| 1/2" | Poly Bowl - No Drain | P33LA94LGNN |
| 1/2" | Metal Bowl - No Drain | P33LA94LSNN |
| 3/4" | Poly Bowl - No Drain | P33LA96LGNN |
| 3/4" | Metal Bowl - No Drain | P33LA96LSNN |

† For polycarbonate bowl, see caution in Engineering Section A.

Ordering Information:



Suggested Lubricant **F442 Oil**
 Petroleum based oil of 100 to 200 SUS viscosity at 100°F (38°C) and an aniline point greater than 200°F (93°C)
 (DO NOT USE OILS WITH ADDITIVES, COMPOUNDED OILS CONTAINING SOLVENTS, GRAPHITE, DETERGENTS, OR SYNTHETIC OILS.)

Most popular.



For inventory, lead times, and kit lookup, visit www.pdnplu.com

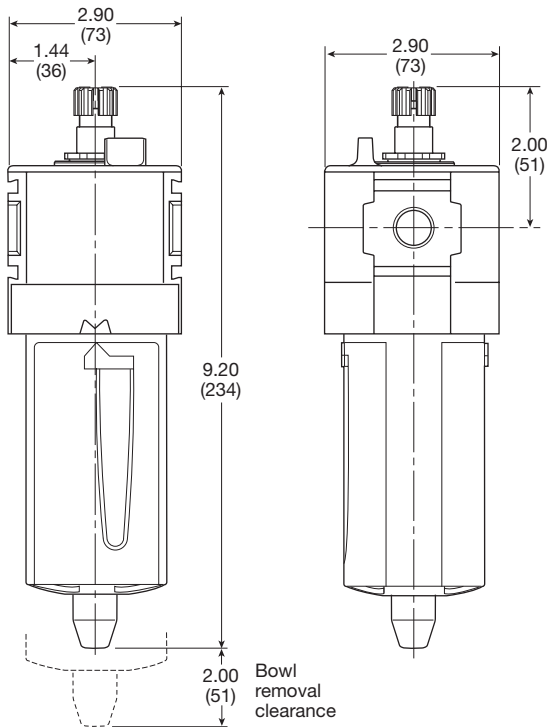
B
 Global Air Preparation
 Introduction
 Filters
 Coalescers
 Regulators
 Filter / Regulators
 Lubricators
 Combinations
 Accessories and Kits

Material Specifications

| | |
|---------------------|-----------------|
| Body | Aluminum |
| Body cap | ABS |
| Plastic bowl | Polycarbonate |
| Metal bowl | Aluminum |
| Seals | Nitrile |
| Sight dome | Polycarbonate |
| Sight gauge | Nylon |
| Suggested lubricant | ISO / ASTM VG32 |
| Pick-up filter | Sintered bronze |

Repair and Service Kits

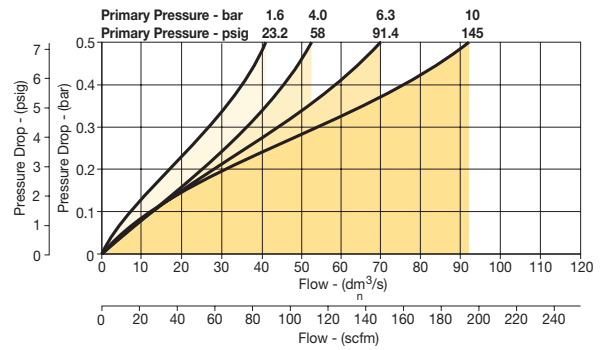
| | |
|---------------------------------------|-------------------|
| Plastic bowl / bowl guard no drain | P33KA00BGN |
| Metal bowl / w/o sight gauge no drain | P33KA00BMN |
| Metal bowl / sight gauge no drain | P33KA00BSN |
| Drip control assembly | P32KA00PG |
| Fill plug | P32KA00PL |
| L-bracket (fits to body) | P33KA00ML |
| T-bracket (fits to body connector) | P32KA00MB |
| T-bracket with body connector | P32KA00MT |
| Body connector | P32KA00CB |
| Oil (1 quart) | F442001 |
| Oil (1 gallon) | F442002 |
| Oil (12 quart case) | F442003 |
| Oil (4 gallon case) | F442005 |



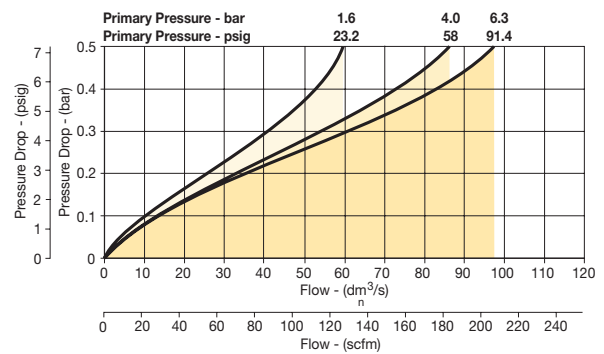
Inches (mm)

Flow Charts

P33LA 1/2" Lubricator



P33LA 3/4" Lubricator



B

Global Air Preparation

Introduction

Filters

Coalescers

Regulators

Filter/Regulators

Lubricators

Combinations

Accessories and Kits



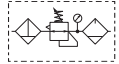
For inventory, lead times, and kit lookup, visit www.pdnplu.com

Popular Combinations: Inlet pressure 145 psig (10 bar), secondary pressure 91.3 psig (6.3 bar), 14.5 psig (1 bar) pressure drop.

B
Global Air Preparation
Introduction
Filters
Coalescers
Regulators
Filter / Regulators
Lubricators
Combinations
Accessories and Kits



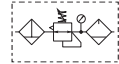
**Filter + Regulator + Lubricator Combinations, poly bowl
5 micron element, 116 psig (8 bar) regulator + gauge and wall mounting brackets**



| Port Size | Flow | Manual Drain | Pulse Drain |
|-----------|--------------------------------------|------------------------|------------------------|
| 1/4" | 27 scfm (13 dm ³ /s, ANR) | P31CB92GEMN5LNW | P31CB92GEBN5LNW |



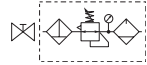
**Filter/Regulator + Lubricator Combinations, poly bowl
5 micron element, 116 psig (8 bar) regulator + gauge and wall mounting brackets**



| Port Size | Flow | Manual Drain | Pulse Drain |
|-----------|--------------------------------------|------------------------|------------------------|
| 1/4" | 28 scfm (14 dm ³ /s, ANR) | P31CA92GEMN5LNW | P31CA92GEBN5LNW |



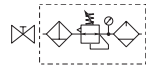
**Ball Valve + Filter + Regulator + Lubricator Combinations, poly bowl
5 micron element, 116 psig (8 bar) regulator + gauge and wall mounting brackets**



| Port Size | Flow | Manual Drain | Pulse Drain |
|-----------|--------------------------------------|------------------------|------------------------|
| 1/4" | 27 scfm (13 dm ³ /s, ANR) | P31QB92GEMN5LNW | P31QB92GEBN5LNW |



**Ball Valve + Filter/Regulator + Lubricator Combinations, poly bowl
5 micron element, 116 psig (8 bar) regulator + gauge and wall mounting brackets**



| Port Size | Flow | Manual Drain | Pulse Drain |
|-----------|--------------------------------------|------------------------|------------------------|
| 1/4" | 28 scfm (14 dm ³ /s, ANR) | P31QA92GEMN5LNW | P31QA92GEBN5LNW |

Filter / Regulator coding
(use with codes: A M)

| Filter coding (use with combo codes: B F G). For multiple filters, repeat as needed. | Regulator coding (use with combo code: B) | Lubricator coding (use with combo codes: A B) | Assembly configuration | | | | | | | | | | | | | | | | | | | | | | | | | | |
|--|--|---|---------------------------|-----------------|---------------|--|--|---------------|------------------|-------------------------|----------|-------------------------|----------|--------------------------|----------|---------------------------|-----------------------|---------------|-------------------|-------------------------|----------|-------------------------|----------|--------------------------|----------|---------------------------|-----------------------|---|---|
| <p>P31</p> <p>Combination B/V + Combination Q Combination + B/V X Combination C</p> <p>B/V = Ball valve</p> <p>Combination Type*</p> <table border="1"> <tr> <td>F/R+L A</td> <td>F+Fc+Fa G</td> </tr> <tr> <td>F+R+L B</td> <td>F/R+Fc M</td> </tr> <tr> <td>F+Fc F</td> <td></td> </tr> </table> <p>* Combination type F = 5µ Fc1 = 1µ Fc = .01µ Fa = Adsorber</p> <p>Thread Type BSPP 1 BSPT 2 NPT 9</p> <p>Port Size 1/4 2</p> <p>Element 5µ Element E 0.01µ Element C 1µ Element 9 Adsorber A</p> <p>Drain Type Manual Drain M Pulse Drain B</p> | F/R+L A | F+Fc+Fa G | F+R+L B | F/R+Fc M | F+Fc F | | <p>E M</p> <p>Relief / Adjustment Non-Rising Knob N</p> <p>Adjustment Range</p> <table border="1"> <thead> <tr> <th>Without Gauge</th> <th>With Round Gauge</th> </tr> </thead> <tbody> <tr> <td>30 psig; 2 Bar; 0.2 MPa</td> <td>Z</td> </tr> <tr> <td>60 psig; 4 Bar; 0.4 MPa</td> <td>M</td> </tr> <tr> <td>125 psig; 8 Bar; 0.8 MPa</td> <td>G</td> </tr> <tr> <td>232 psig; 16 Bar; 1.6 MPa</td> <td>J[§]</td> </tr> </tbody> </table> <p>Without Gauge</p> <table border="1"> <thead> <tr> <th>Without Gauge</th> <th>With Square Gauge</th> </tr> </thead> <tbody> <tr> <td>30 psig; 2 Bar; 0.2 MPa</td> <td>Y</td> </tr> <tr> <td>60 psig; 4 Bar; 0.4 MPa</td> <td>L</td> </tr> <tr> <td>125 psig; 8 Bar; 0.8 MPa</td> <td>N</td> </tr> <tr> <td>232 psig; 16 Bar; 1.6 MPa</td> <td>H[§]</td> </tr> </tbody> </table> | Without Gauge | With Round Gauge | 30 psig; 2 Bar; 0.2 MPa | Z | 60 psig; 4 Bar; 0.4 MPa | M | 125 psig; 8 Bar; 0.8 MPa | G | 232 psig; 16 Bar; 1.6 MPa | J [§] | Without Gauge | With Square Gauge | 30 psig; 2 Bar; 0.2 MPa | Y | 60 psig; 4 Bar; 0.4 MPa | L | 125 psig; 8 Bar; 0.8 MPa | N | 232 psig; 16 Bar; 1.6 MPa | H [§] | <p>L N</p> <p>Lub Type Oil Mist Standard Sight Dome L</p> <p>Drain Type No Drain; Closed End N</p> | <p>W</p> <p>Mounting No Bracket A Port Blocks C* Port Blocks & Wall Brkt D* Wall Bracket W</p> <p>* For 3/8" Port Blocks please order separately. See Kits section.</p> <p>* Regulator comes with gauge respective to the adjustment range selected. [§] Not available with poly bowl with bowl guard.</p> |
| F/R+L A | F+Fc+Fa G | | | | | | | | | | | | | | | | | | | | | | | | | | | | |
| F+R+L B | F/R+Fc M | | | | | | | | | | | | | | | | | | | | | | | | | | | | |
| F+Fc F | | | | | | | | | | | | | | | | | | | | | | | | | | | | | |
| Without Gauge | With Round Gauge | | | | | | | | | | | | | | | | | | | | | | | | | | | | |
| 30 psig; 2 Bar; 0.2 MPa | Z | | | | | | | | | | | | | | | | | | | | | | | | | | | | |
| 60 psig; 4 Bar; 0.4 MPa | M | | | | | | | | | | | | | | | | | | | | | | | | | | | | |
| 125 psig; 8 Bar; 0.8 MPa | G | | | | | | | | | | | | | | | | | | | | | | | | | | | | |
| 232 psig; 16 Bar; 1.6 MPa | J [§] | | | | | | | | | | | | | | | | | | | | | | | | | | | | |
| Without Gauge | With Square Gauge | | | | | | | | | | | | | | | | | | | | | | | | | | | | |
| 30 psig; 2 Bar; 0.2 MPa | Y | | | | | | | | | | | | | | | | | | | | | | | | | | | | |
| 60 psig; 4 Bar; 0.4 MPa | L | | | | | | | | | | | | | | | | | | | | | | | | | | | | |
| 125 psig; 8 Bar; 0.8 MPa | N | | | | | | | | | | | | | | | | | | | | | | | | | | | | |
| 232 psig; 16 Bar; 1.6 MPa | H [§] | | | | | | | | | | | | | | | | | | | | | | | | | | | | |



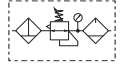
For inventory, lead times, and kit lookup, visit www.pdnplu.com

Popular Combinations: Inlet pressure 145 psig (10 bar), secondary pressure 91.3 psig (6.3 bar), 14.5 psig (1 bar) pressure drop.

B
Global Air Preparation
Introduction
Filters
Coalescers
Regulators
Filter/Regulators
Lubricators
Combinations
Accessories and Kits



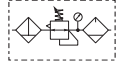
**Filter + Regulator + Lubricator Combinations, poly bowl
5 micron element, 116 psig (8 bar) regulator + gauge and wall mounting brackets**



| Port Size | Flow | Manual Drain | Auto Drain |
|-----------|--------------------------------------|------------------------|------------------------|
| 1/4" | 42 scfm (20 dm ³ /s, ANR) | P32CB92GEMNGLNW | P32CB92GEANGLNW |
| 3/8" | 68 scfm (32 dm ³ /s, ANR) | P32CB93GEMNGLNW | P32CB93GEANGLNW |
| 1/2" | 85 scfm (40 dm ³ /s, ANR) | P32CB94GEMNGLNW | P32CB94GEANGLNW |



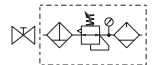
**Filter/Regulator + Lubricator Combinations, poly bowl
5 micron element, 116 psig (8 bar) regulator + gauge and wall mounting brackets**



| Port Size | Flow | Manual Drain | Auto Drain |
|-----------|--------------------------------------|------------------------|------------------------|
| 1/4" | 45 scfm (22 dm ³ /s, ANR) | P32CA92GEMNGLNW | P32CA92GEANGLNW |
| 3/8" | 70 scfm (33 dm ³ /s, ANR) | P32CA93GEMNGLNW | P32CA93GEANGLNW |
| 1/2" | 90 scfm (43 dm ³ /s, ANR) | P32CA94GEMNGLNW | P32CA94GEANGLNW |



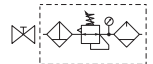
**Ball Valve + Filter + Regulator + Lubricator Combinations, poly bowl
5 micron element, 116 psig (8 bar) regulator + gauge and wall mounting brackets**



| Port Size | Flow | Manual Drain | Auto Drain |
|-----------|--------------------------------------|------------------------|------------------------|
| 1/4" | 42 scfm (20 dm ³ /s, ANR) | P32QB92GEMNGLNW | P32QB92GEANGLNW |
| 3/8" | 68 scfm (32 dm ³ /s, ANR) | P32QB93GEMNGLNW | P32QB93GEANGLNW |
| 1/2" | 85 scfm (40 dm ³ /s, ANR) | P32QB94GEMNGLNW | P32QB94GEANGLNW |



**Ball Valve + Filter/Regulator + Lubricator Combinations, poly bowl
5 micron element, 116 psig (8 bar) regulator + gauge and wall mounting brackets**



| Port Size | Flow | Manual Drain | Auto Drain |
|-----------|--------------------------------------|------------------------|------------------------|
| 1/4" | 45 scfm (22 dm ³ /s, ANR) | P32QA92GEMNGLNW | P32QA92GEANGLNW |
| 3/8" | 70 scfm (33 dm ³ /s, ANR) | P32QA93GEMNGLNW | P32QA93GEANGLNW |
| 1/2" | 90 scfm (43 dm ³ /s, ANR) | P32QA94GEMNGLNW | P32QA94GEANGLNW |

Filter / Regulator coding
(use with codes: A M)

| Filter coding (use with combo codes: B F G, For multiple filters, repeat as needed.) | Regulator coding (use with combo code: B) | Lubricator coding (use with combo codes: A B) | Assembly configuration |
|---|--|---|---------------------------|
|---|--|---|---------------------------|

| <p>P32</p> <p>Combination</p> <p>B/V + Combination Q</p> <p>Combination + B/V X</p> <p>Combination C</p> <p>B/V = Ball valve</p> <p>Combination Type*</p> <table border="1"> <tr> <td>F/R+L A</td> <td>F+Fc+Fa G</td> </tr> <tr> <td>F+R+L B</td> <td>F/R+Fc M</td> </tr> <tr> <td>F+Fc F</td> <td></td> </tr> </table> <p>* Combination type F = 5µ Fc = 1µ Fa = Adsorbent</p> <p>Bowl Type</p> <table border="1"> <tr> <td>Poly Bowl with Bowl Guard ‡</td> <td>G</td> </tr> <tr> <td>Metal Bowl without Sight Gauge</td> <td>M*</td> </tr> <tr> <td>Metal Bowl with Sight Gauge</td> <td>S</td> </tr> </table> <p>* Not available when using Lubricator. Note: All bowl types are the same for each component. Example: If a "G" is specified for a F+L, both units would get a poly bowl with bowl guard.</p> | F/R+L A | F+Fc+Fa G | F+R+L B | F/R+Fc M | F+Fc F | | Poly Bowl with Bowl Guard ‡ | G | Metal Bowl without Sight Gauge | M* | Metal Bowl with Sight Gauge | S | <p>C</p> <p>Thread Type</p> <table border="1"> <tr> <td>BSPP</td> <td>1</td> </tr> <tr> <td>BSPT</td> <td>2</td> </tr> <tr> <td>NPT</td> <td>9</td> </tr> </table> <p>Port Size</p> <table border="1"> <tr> <td>1/4</td> <td>2*</td> </tr> <tr> <td>3/8</td> <td>3</td> </tr> <tr> <td>1/2</td> <td>4</td> </tr> </table> <p>* Order combo Q or X: ball valve (BV) comes with 3/8 ports.</p> | BSPP | 1 | BSPT | 2 | NPT | 9 | 1/4 | 2* | 3/8 | 3 | 1/2 | 4 | <p>9 4 G</p> <p>Element</p> <table border="1"> <tr> <td>0.01µ Element</td> <td>C</td> </tr> <tr> <td>0.01µ Element with dpi</td> <td>D*</td> </tr> <tr> <td>5µ Element</td> <td>E</td> </tr> <tr> <td>5µ Element with dpi</td> <td>F*</td> </tr> <tr> <td>1µ Element</td> <td>9</td> </tr> <tr> <td>1µ Element with dpi</td> <td>Q*</td> </tr> <tr> <td>Adsorbent</td> <td>A</td> </tr> </table> <p>* Not available with F/R.</p> <p>Drain Type</p> <table border="1"> <tr> <td>Auto Drain</td> <td>A</td> </tr> <tr> <td>Manual Drain</td> <td>M</td> </tr> </table> | 0.01µ Element | C | 0.01µ Element with dpi | D* | 5µ Element | E | 5µ Element with dpi | F* | 1µ Element | 9 | 1µ Element with dpi | Q* | Adsorbent | A | Auto Drain | A | Manual Drain | M | <p>E M</p> <p>Relief / Adjustment</p> <table border="1"> <tr> <td>Non-Rising Knob</td> <td>N</td> </tr> <tr> <td>Relieving</td> <td>G</td> </tr> </table> <p>Adjustment Range</p> <table border="1"> <thead> <tr> <th colspan="2">With Round Gauge</th> </tr> </thead> <tbody> <tr> <td>30 psig; 2 Bar; 0.2 MPa</td> <td>Z</td> </tr> <tr> <td>60 psig; 4 Bar; 0.4 MPa</td> <td>M</td> </tr> <tr> <td>125 psig; 8 Bar; 0.8 MPa</td> <td>G</td> </tr> <tr> <td>250 psig; 17 Bar; 1.7 MPa</td> <td>J[§]</td> </tr> </tbody> </table> <table border="1"> <thead> <tr> <th colspan="2">Without Gauge</th> <th colspan="2">With Square Gauge</th> </tr> </thead> <tbody> <tr> <td>30 psig; 2 Bar; 0.2 MPa</td> <td>Y</td> <td>30* = 1</td> <td>2* = V</td> </tr> <tr> <td>60 psig; 4 Bar; 0.4 MPa</td> <td>L</td> <td>60 = 3</td> <td>4 = S</td> </tr> <tr> <td>125 psig; 8 Bar; 0.8 MPa</td> <td>N</td> <td>125 = 5</td> <td>8 = T</td> </tr> <tr> <td>250 psig; 17 Bar; 1.7 MPa</td> <td>H[§]</td> <td></td> <td></td> </tr> </tbody> </table> <p>* Regulator comes with gauge respective to the adjustment range selected. [§] Not available with poly bowl with bowl guard.</p> | Non-Rising Knob | N | Relieving | G | With Round Gauge | | 30 psig; 2 Bar; 0.2 MPa | Z | 60 psig; 4 Bar; 0.4 MPa | M | 125 psig; 8 Bar; 0.8 MPa | G | 250 psig; 17 Bar; 1.7 MPa | J[§] | Without Gauge | | With Square Gauge | | 30 psig; 2 Bar; 0.2 MPa | Y | 30* = 1 | 2* = V | 60 psig; 4 Bar; 0.4 MPa | L | 60 = 3 | 4 = S | 125 psig; 8 Bar; 0.8 MPa | N | 125 = 5 | 8 = T | 250 psig; 17 Bar; 1.7 MPa | H[§] | | | <p>N G</p> <p>Lub Type</p> <table border="1"> <tr> <td>Oil Mist Standard Sight Dome</td> <td>L</td> </tr> <tr> <td>No Drain; Closed End</td> <td>N</td> </tr> </table> <p>Drain Type</p> <table border="1"> <tr> <td>No Drain; Closed End</td> <td>N</td> </tr> </table> | Oil Mist Standard Sight Dome | L | No Drain; Closed End | N | No Drain; Closed End | N | <p>L N</p> <p>Mounting</p> <table border="1"> <tr> <td>No Bracket</td> <td>A</td> </tr> <tr> <td>Port Blocks</td> <td>C</td> </tr> <tr> <td>Port Blocks & Wall Brkt</td> <td>D</td> </tr> <tr> <td>Wall Bracket</td> <td>W</td> </tr> </table> | No Bracket | A | Port Blocks | C | Port Blocks & Wall Brkt | D | Wall Bracket | W |
|--|----------------------|-------------------|----------------|-----------------|---------------|--|-----------------------------|----------|--------------------------------|-----------|-----------------------------|----------|---|------|----------|------|----------|-----|----------|-----|-----------|-----|----------|-----|----------|---|---------------|----------|------------------------|-----------|------------|----------|---------------------|-----------|------------|----------|---------------------|-----------|-----------|----------|------------|----------|--------------|----------|--|-----------------|----------|-----------|----------|------------------|--|-------------------------|----------|-------------------------|----------|--------------------------|----------|---------------------------|----------------------|---------------|--|-------------------|--|-------------------------|----------|---------|--------|-------------------------|----------|--------|-------|--------------------------|----------|---------|-------|---------------------------|----------------------|--|--|--|------------------------------|----------|----------------------|----------|----------------------|----------|--|------------|----------|-------------|----------|-------------------------|----------|--------------|----------|
| F/R+L A | F+Fc+Fa G | | | | | | | | | | | | | | | | | | | | | | | | | | | | | | | | | | | | | | | | | | | | | | | | | | | | | | | | | | | | | | | | | | | | | | | | | | | | | | | | | | | | | | | | | | | | | | |
| F+R+L B | F/R+Fc M | | | | | | | | | | | | | | | | | | | | | | | | | | | | | | | | | | | | | | | | | | | | | | | | | | | | | | | | | | | | | | | | | | | | | | | | | | | | | | | | | | | | | | | | | | | | | | |
| F+Fc F | | | | | | | | | | | | | | | | | | | | | | | | | | | | | | | | | | | | | | | | | | | | | | | | | | | | | | | | | | | | | | | | | | | | | | | | | | | | | | | | | | | | | | | | | | | | | | | |
| Poly Bowl with Bowl Guard ‡ | G | | | | | | | | | | | | | | | | | | | | | | | | | | | | | | | | | | | | | | | | | | | | | | | | | | | | | | | | | | | | | | | | | | | | | | | | | | | | | | | | | | | | | | | | | | | | | | |
| Metal Bowl without Sight Gauge | M* | | | | | | | | | | | | | | | | | | | | | | | | | | | | | | | | | | | | | | | | | | | | | | | | | | | | | | | | | | | | | | | | | | | | | | | | | | | | | | | | | | | | | | | | | | | | | | |
| Metal Bowl with Sight Gauge | S | | | | | | | | | | | | | | | | | | | | | | | | | | | | | | | | | | | | | | | | | | | | | | | | | | | | | | | | | | | | | | | | | | | | | | | | | | | | | | | | | | | | | | | | | | | | | | |
| BSPP | 1 | | | | | | | | | | | | | | | | | | | | | | | | | | | | | | | | | | | | | | | | | | | | | | | | | | | | | | | | | | | | | | | | | | | | | | | | | | | | | | | | | | | | | | | | | | | | | | |
| BSPT | 2 | | | | | | | | | | | | | | | | | | | | | | | | | | | | | | | | | | | | | | | | | | | | | | | | | | | | | | | | | | | | | | | | | | | | | | | | | | | | | | | | | | | | | | | | | | | | | | |
| NPT | 9 | | | | | | | | | | | | | | | | | | | | | | | | | | | | | | | | | | | | | | | | | | | | | | | | | | | | | | | | | | | | | | | | | | | | | | | | | | | | | | | | | | | | | | | | | | | | | | |
| 1/4 | 2* | | | | | | | | | | | | | | | | | | | | | | | | | | | | | | | | | | | | | | | | | | | | | | | | | | | | | | | | | | | | | | | | | | | | | | | | | | | | | | | | | | | | | | | | | | | | | | |
| 3/8 | 3 | | | | | | | | | | | | | | | | | | | | | | | | | | | | | | | | | | | | | | | | | | | | | | | | | | | | | | | | | | | | | | | | | | | | | | | | | | | | | | | | | | | | | | | | | | | | | | |
| 1/2 | 4 | | | | | | | | | | | | | | | | | | | | | | | | | | | | | | | | | | | | | | | | | | | | | | | | | | | | | | | | | | | | | | | | | | | | | | | | | | | | | | | | | | | | | | | | | | | | | | |
| 0.01µ Element | C | | | | | | | | | | | | | | | | | | | | | | | | | | | | | | | | | | | | | | | | | | | | | | | | | | | | | | | | | | | | | | | | | | | | | | | | | | | | | | | | | | | | | | | | | | | | | | |
| 0.01µ Element with dpi | D* | | | | | | | | | | | | | | | | | | | | | | | | | | | | | | | | | | | | | | | | | | | | | | | | | | | | | | | | | | | | | | | | | | | | | | | | | | | | | | | | | | | | | | | | | | | | | | |
| 5µ Element | E | | | | | | | | | | | | | | | | | | | | | | | | | | | | | | | | | | | | | | | | | | | | | | | | | | | | | | | | | | | | | | | | | | | | | | | | | | | | | | | | | | | | | | | | | | | | | | |
| 5µ Element with dpi | F* | | | | | | | | | | | | | | | | | | | | | | | | | | | | | | | | | | | | | | | | | | | | | | | | | | | | | | | | | | | | | | | | | | | | | | | | | | | | | | | | | | | | | | | | | | | | | | |
| 1µ Element | 9 | | | | | | | | | | | | | | | | | | | | | | | | | | | | | | | | | | | | | | | | | | | | | | | | | | | | | | | | | | | | | | | | | | | | | | | | | | | | | | | | | | | | | | | | | | | | | | |
| 1µ Element with dpi | Q* | | | | | | | | | | | | | | | | | | | | | | | | | | | | | | | | | | | | | | | | | | | | | | | | | | | | | | | | | | | | | | | | | | | | | | | | | | | | | | | | | | | | | | | | | | | | | | |
| Adsorbent | A | | | | | | | | | | | | | | | | | | | | | | | | | | | | | | | | | | | | | | | | | | | | | | | | | | | | | | | | | | | | | | | | | | | | | | | | | | | | | | | | | | | | | | | | | | | | | | |
| Auto Drain | A | | | | | | | | | | | | | | | | | | | | | | | | | | | | | | | | | | | | | | | | | | | | | | | | | | | | | | | | | | | | | | | | | | | | | | | | | | | | | | | | | | | | | | | | | | | | | | |
| Manual Drain | M | | | | | | | | | | | | | | | | | | | | | | | | | | | | | | | | | | | | | | | | | | | | | | | | | | | | | | | | | | | | | | | | | | | | | | | | | | | | | | | | | | | | | | | | | | | | | | |
| Non-Rising Knob | N | | | | | | | | | | | | | | | | | | | | | | | | | | | | | | | | | | | | | | | | | | | | | | | | | | | | | | | | | | | | | | | | | | | | | | | | | | | | | | | | | | | | | | | | | | | | | | |
| Relieving | G | | | | | | | | | | | | | | | | | | | | | | | | | | | | | | | | | | | | | | | | | | | | | | | | | | | | | | | | | | | | | | | | | | | | | | | | | | | | | | | | | | | | | | | | | | | | | | |
| With Round Gauge | | | | | | | | | | | | | | | | | | | | | | | | | | | | | | | | | | | | | | | | | | | | | | | | | | | | | | | | | | | | | | | | | | | | | | | | | | | | | | | | | | | | | | | | | | | | | | | |
| 30 psig; 2 Bar; 0.2 MPa | Z | | | | | | | | | | | | | | | | | | | | | | | | | | | | | | | | | | | | | | | | | | | | | | | | | | | | | | | | | | | | | | | | | | | | | | | | | | | | | | | | | | | | | | | | | | | | | | |
| 60 psig; 4 Bar; 0.4 MPa | M | | | | | | | | | | | | | | | | | | | | | | | | | | | | | | | | | | | | | | | | | | | | | | | | | | | | | | | | | | | | | | | | | | | | | | | | | | | | | | | | | | | | | | | | | | | | | | |
| 125 psig; 8 Bar; 0.8 MPa | G | | | | | | | | | | | | | | | | | | | | | | | | | | | | | | | | | | | | | | | | | | | | | | | | | | | | | | | | | | | | | | | | | | | | | | | | | | | | | | | | | | | | | | | | | | | | | | |
| 250 psig; 17 Bar; 1.7 MPa | J[§] | | | | | | | | | | | | | | | | | | | | | | | | | | | | | | | | | | | | | | | | | | | | | | | | | | | | | | | | | | | | | | | | | | | | | | | | | | | | | | | | | | | | | | | | | | | | | | |
| Without Gauge | | With Square Gauge | | | | | | | | | | | | | | | | | | | | | | | | | | | | | | | | | | | | | | | | | | | | | | | | | | | | | | | | | | | | | | | | | | | | | | | | | | | | | | | | | | | | | | | | | | | | | |
| 30 psig; 2 Bar; 0.2 MPa | Y | 30* = 1 | 2* = V | | | | | | | | | | | | | | | | | | | | | | | | | | | | | | | | | | | | | | | | | | | | | | | | | | | | | | | | | | | | | | | | | | | | | | | | | | | | | | | | | | | | | | | | | | | | |
| 60 psig; 4 Bar; 0.4 MPa | L | 60 = 3 | 4 = S | | | | | | | | | | | | | | | | | | | | | | | | | | | | | | | | | | | | | | | | | | | | | | | | | | | | | | | | | | | | | | | | | | | | | | | | | | | | | | | | | | | | | | | | | | | | |
| 125 psig; 8 Bar; 0.8 MPa | N | 125 = 5 | 8 = T | | | | | | | | | | | | | | | | | | | | | | | | | | | | | | | | | | | | | | | | | | | | | | | | | | | | | | | | | | | | | | | | | | | | | | | | | | | | | | | | | | | | | | | | | | | | |
| 250 psig; 17 Bar; 1.7 MPa | H[§] | | | | | | | | | | | | | | | | | | | | | | | | | | | | | | | | | | | | | | | | | | | | | | | | | | | | | | | | | | | | | | | | | | | | | | | | | | | | | | | | | | | | | | | | | | | | | | |
| Oil Mist Standard Sight Dome | L | | | | | | | | | | | | | | | | | | | | | | | | | | | | | | | | | | | | | | | | | | | | | | | | | | | | | | | | | | | | | | | | | | | | | | | | | | | | | | | | | | | | | | | | | | | | | | |
| No Drain; Closed End | N | | | | | | | | | | | | | | | | | | | | | | | | | | | | | | | | | | | | | | | | | | | | | | | | | | | | | | | | | | | | | | | | | | | | | | | | | | | | | | | | | | | | | | | | | | | | | | |
| No Drain; Closed End | N | | | | | | | | | | | | | | | | | | | | | | | | | | | | | | | | | | | | | | | | | | | | | | | | | | | | | | | | | | | | | | | | | | | | | | | | | | | | | | | | | | | | | | | | | | | | | | |
| No Bracket | A | | | | | | | | | | | | | | | | | | | | | | | | | | | | | | | | | | | | | | | | | | | | | | | | | | | | | | | | | | | | | | | | | | | | | | | | | | | | | | | | | | | | | | | | | | | | | | |
| Port Blocks | C | | | | | | | | | | | | | | | | | | | | | | | | | | | | | | | | | | | | | | | | | | | | | | | | | | | | | | | | | | | | | | | | | | | | | | | | | | | | | | | | | | | | | | | | | | | | | | |
| Port Blocks & Wall Brkt | D | | | | | | | | | | | | | | | | | | | | | | | | | | | | | | | | | | | | | | | | | | | | | | | | | | | | | | | | | | | | | | | | | | | | | | | | | | | | | | | | | | | | | | | | | | | | | | |
| Wall Bracket | W | | | | | | | | | | | | | | | | | | | | | | | | | | | | | | | | | | | | | | | | | | | | | | | | | | | | | | | | | | | | | | | | | | | | | | | | | | | | | | | | | | | | | | | | | | | | | | |



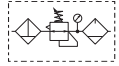
For inventory, lead times, and kit lookup, visit www.pdnplu.com

Popular Combinations: Inlet pressure 145 psig (10 bar), secondary pressure 91.3 psig (6.3 bar), 14.5 psig (1 bar) pressure drop.

B
Global Air Preparation
Introduction
Filters
Coalescers
Regulators
Filter / Regulators
Lubricators
Combinations
Accessories and Kits



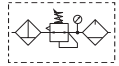
Filter + Regulator + Lubricator Combinations, poly bowl
5 micron element, 116 psig (8 bar) regulator + gauge and wall mounting brackets



| Port Size | Flow | Manual Drain | Auto Drain |
|-----------|---------------------------------------|------------------------|------------------------|
| 1/2" | 90 scfm (43 dm ³ /s, ANR) | P33CB94GEMNGLNW | P33CB94GEANGLNW |
| 3/4" | 110 scfm (52 dm ³ /s, ANR) | P33CB96GEMNGLNW | P33CB96GEANGLNW |



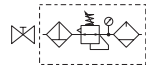
Filter/Regulator + Lubricator Combinations, poly bowl
5 micron element, 116 psig (8 bar) regulator + gauge and wall mounting brackets



| Port Size | Flow | Manual Drain | Auto Drain |
|-----------|---------------------------------------|------------------------|------------------------|
| 1/2" | 110 scfm (52 dm ³ /s, ANR) | P33CA94GEMNGLNW | P33CA94GEANGLNW |
| 3/4" | 150 scfm (71 dm ³ /s, ANR) | P33CA96GEMNGLNW | P33CA96GEANGLNW |



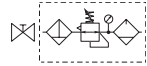
Ball Valve + Filter + Regulator + Lubricator Combinations, poly bowl
5 micron element, 116 psig (8 bar) regulator + gauge and wall mounting brackets



| Port Size | Flow | Manual Drain | Auto Drain |
|-----------|---------------------------------------|------------------------|------------------------|
| 1/2" | 90 scfm (43 dm ³ /s, ANR) | P33QB94GEMNGLNW | P33QB94GEANGLNW |
| 3/4" | 110 scfm (52 dm ³ /s, ANR) | P33QB96GEMNGLNW | P33QB96GEANGLNW |



Ball Valve + Filter/Regulator + Lubricator Combinations, poly bowl
5 micron element, 116 psig (8 bar) regulator + gauge and wall mounting brackets



| Port Size | Flow | Manual Drain | Auto Drain |
|-----------|---------------------------------------|------------------------|------------------------|
| 1/2" | 110 scfm (52 dm ³ /s, ANR) | P33QA94GEMNGLNW | P33QA94GEANGLNW |
| 3/4" | 150 scfm (71 dm ³ /s, ANR) | P33QA96GEMNGLNW | P33QA96GEANGLNW |

Filter / Regulator coding
(use with codes: A M)

| Filter coding (use with combo codes: B F G). For multiple filters, repeat as needed. | Regulator coding (use with combo code: B) | Lubricator coding (use with combo codes: A B) | Assembly configuration |
|---|--|--|------------------------|
|---|--|--|------------------------|

| | | | | | | | | | | | | |
|---|--|--|--|--|---|---|--|--|----------|----------|----------|----------|
| P33 | C | B | 9 | 6 | G | E | M | N | G | L | N | W |
| <p>Combination</p> <p>B/V + Combination Q</p> <p>Combination + B/V X</p> <p>Combination C</p> <p>B/V = Ball valve</p> | <p>Thread Type</p> <p>BSPP 1</p> <p>BSPT 2</p> <p>NPT 9</p> | <p>Port Size</p> <p>1/2 4</p> <p>3/4 6</p> | <p>Element</p> <p>0.01µ Element C</p> <p>0.01µ Element with dpi D*</p> <p>5µ Element E</p> <p>5µ Element with dpi F*</p> <p>1µ Element 9</p> <p>1µ Element with dpi Q*</p> <p>Adsorber A</p> | <p>Relief / Adjustment</p> <p>Non-Rising Knob N</p> <p>Relieving</p> | <p>Adjustment Range</p> <p>With Round Gauge</p> <p>30 psig; 2 bar; 0.2 MPa Z</p> <p>60 psig; 4 bar; 0.4 MPa M</p> <p>125 psig; 8 bar; 0.8 MPa G</p> <p>250 psig; 17 bar; 1.7 MPa J*</p> <p>Without Gauge</p> <p>30 psig; 2 bar; 0.2 MPa Y</p> <p>60 psig; 4 bar; 0.4 MPa L</p> <p>125 psig; 8 bar; 0.8 MPa N</p> <p>250 psig; 17 bar; 1.7 MPa H*</p> | <p>Lub Type</p> <p>Oil Mist L</p> <p>Standard</p> <p>Sight Dome</p> | <p>Drain Type</p> <p>No Drain; N</p> <p>Closed End</p> | <p>Mounting</p> <p>No Bracket A</p> <p>Port Blocks C</p> <p>Port Blocks & Wall Brkt D</p> <p>Wall Bracket W</p> | | | | |
| <p>Combination Type*</p> <p>F/R+L A F+Fc+Fa G</p> <p>F+R+L B F/R+Fc M</p> <p>F+Fc F</p> | <p>Bowl Type †</p> <p>Poly Bowl with Bowl Guard G</p> <p>Metal Bowl without Sight Gauge M*</p> <p>Metal Bowl with Sight Gauge S</p> | <p>Drain Type</p> <p>Auto Drain A</p> <p>Manual Drain M</p> | <p>* Not available with F/R.</p> | | | | | | | | | |
| <p>* Combination type</p> <p>F = 5µ</p> <p>Fc1 = 1µ</p> <p>Fc = .01µ</p> <p>Fa = Adsorber</p> | <p>† For polycarbonate bowl, see caution in Engineering Section A.</p> <p>* Not available when using lubricator.</p> <p>Note: All bowl types are the same for each component.</p> <p>Example: If a "G" is specified for a F+L, both units would get a poly bowl with bowl guard.</p> | | | | | | | | | | | |

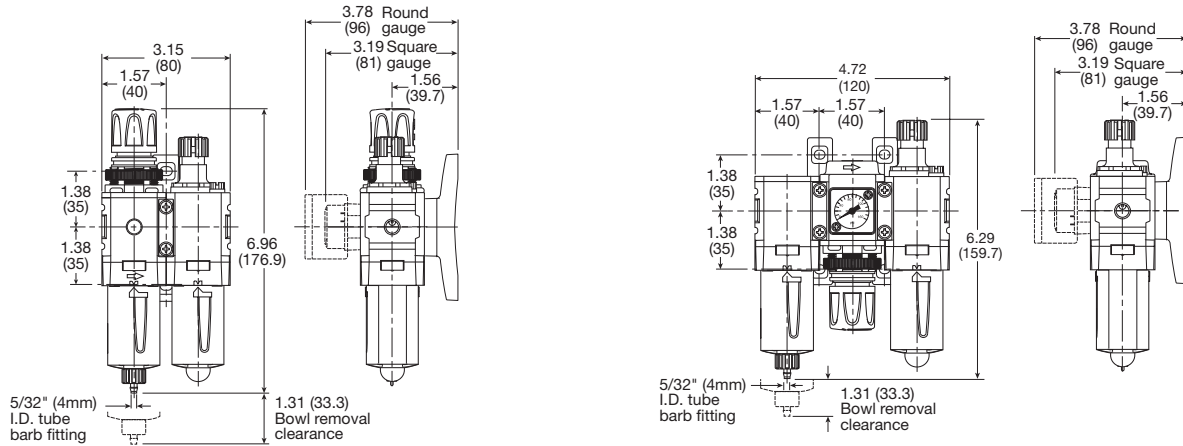


For inventory, lead times, and kit lookup, visit www.pdnplu.com

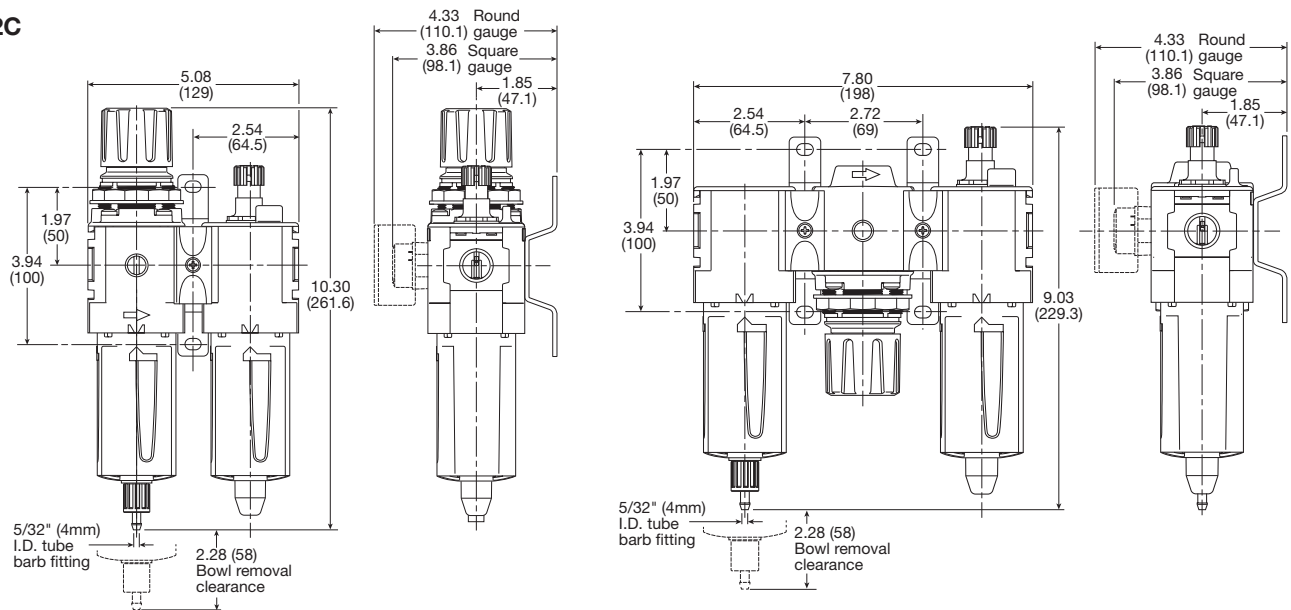
Combination Dimensional Data

Popular Combination Dimensions inches (mm)

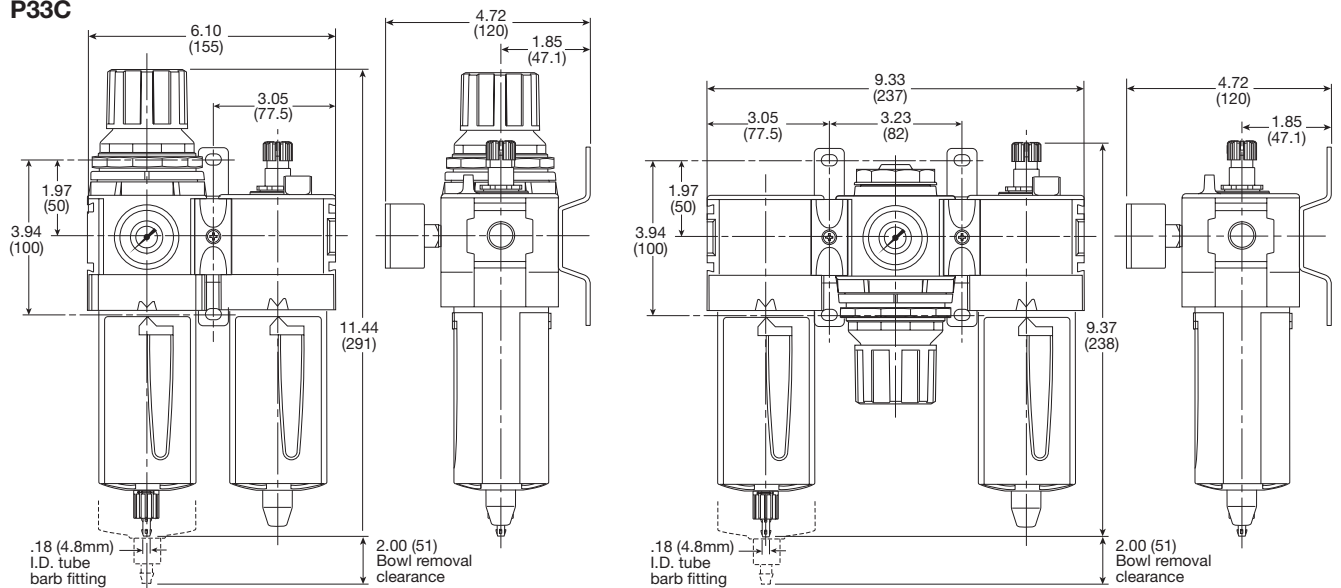
P31C



P32C



P33C



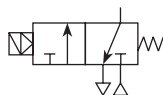
| |
|------------------------|
| B |
| Global Air Preparation |
| Introduction |
| Filters |
| Coalescers |
| Regulators |
| Filter/Regulators |
| Lubricators |
| Combinations |
| Accessories and Kits |



For inventory, lead times, and kit lookup, visit www.pdnplu.com

P31D & P32D Dump Valves

- Modular design with 1/4" or 1/2" integral ports (NPT, BSPP & BSPT)
- The 3-way, 2-position function automatically dumps downstream pressure on the loss of pilot signal
- Solenoid or air pilot options
- High flow & exhaust capability
- Silencer included



Remotely operated dump valves automatically shut off upstream pressure and exhaust the downstream pressure when the pilot pressure is released.

To maintain these units in the open position a pilot supply to the air pilot operated version or an electrical signal to the solenoid operated version must be maintained.

The valve will automatically dump when the holding signal is removed.

| Port Size | Description | Weight lbs (kg) | Part Number |
|-----------|---------------------------------------|-----------------|-----------------------|
| 1/4" | 120VAC Solenoid & cable plug | 0.8 (0.37) | P31DA92SGNC1FN |
| 1/4" | 24VDC Solenoid & cable plug † | 0.9 (0.41) | P31DA92SGNC2CN |
| 1/4" | External air pilot operated | 0.8 (0.37) | P31DA92PPN |
| 1/2" | 120VAC 30mm coil & cable plug incl. † | 1.5 (0.69) | P32DA94SCNA3GN |
| 1/2" | 24VDC 30mm coil & cable plug incl. † | 2.0 (0.91) | P32DA94SCNA2CN |
| 1/2" | External air pilot operated † | 1.9 (0.87) | P32DA94PPN |

† Includes exhaust silencer

Operating information

| | | |
|---------------------------|--------------------|---------------------------------------|
| Flow capacity*: | P31D | 36 scfm (17 dm ³ /s, ANR) |
| | P32D | 108 scfm (51 dm ³ /s, ANR) |
| Temperature range (max)†: | Solenoid operated | 14°F to 122°F (-10°C to 50°C) |
| | Air pilot operated | -4°F to 176°F (-20°C to 80°C) |
| | Pressure (max): | |
| | Solenoid operated | 150 psig (10 bar) |
| | Air pilot operated | 250 psig (17 bar) |
| Operating pressure (min): | | 44 psig (3 bar) |
| Fluid: | | Compressed air |
| Ports: | Air pilot | 1/8" |
| | Exhaust | P31D - 1/4"; P32D - 1/2" |
| | Gauge | P31D - 1/8"; P32D - 1/4" |

* Inlet pressure 91.3 psig (6.3 bar), inlet pressure and 14.5 psig (1 bar) pressure drop.

† Air supply must be dry enough to avoid ice formation at temperatures below 35.6°F (2°C). Snap pressure: Full flow when downstream pressure reaches 50% of the inlet pressure.

Ordering Information:

P31DA
9
2
S
G
N

Body Size

| | |
|-------------------|-------|
| Dump Valve (1/4") | P31DA |
| Dump Valve (1/2") | P32DA |

Thread Type

| | |
|------|---|
| BSPP | 1 |
| BSPT | 2 |
| NPT | 9 |

Port Size

| | |
|-------------------------------|---|
| Global Modular Mini (1/4") | 2 |
| Global Modular Compact (1/2") | 4 |

Actuator Interface

| | |
|---|--------------------------|
| G | 15mm Solenoid (P31 only) |
| C | 30mm Solenoid |
| P | Threaded Air Pilot |

Pilot Type

| | |
|---|--------------------|
| P | External Air Pilot |
| S | Solenoid Pilot |

Solenoid Voltage

| | |
|-----|--|
| 2CN | 24VDC Non Locking Manual Override |
| 3GN | 120VAC Non Locking Manual Override |
| 1FN | 120VAC Non Locking Manual Override (P31 series only) |

Solenoid Type

| | |
|---|---|
| C | 15mm (P31 series only) |
| A | 30mm CNOMO Coil (P32 only) |
| D | 30mm CNOMO Coil (M12 connection) (P32 only) |

Note: P32 unit used for both P32 & P33 series

Most popular.



For inventory, lead times, and kit lookup, visit www.pdnplu.com


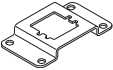
B60

Parker Hannifin Corporation
 Pneumatic Division
 Richland, Michigan
www.parker.com/pneumatics

Material Specifications

| | |
|------------|-------------|
| Body | Aluminum |
| Body cover | Polyester |
| Seals | Nitrile NBR |

Mounting Brackets

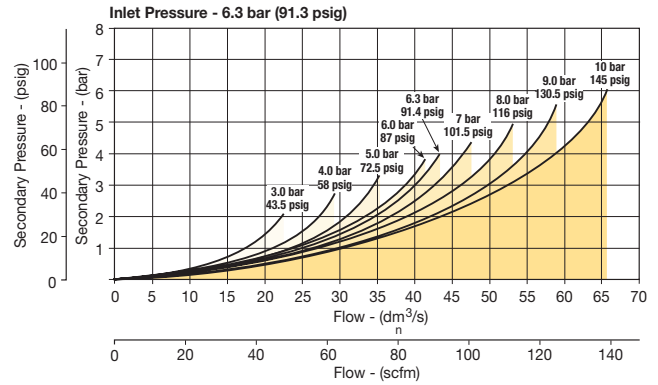
| | Description | Part Number |
|-----|---|------------------|
| | L-bracket mounting kit | P31D |
| P31 |  | P3HKA00ML |
| | Foot bracket mounting kit | P3HKA00MC |
| P31 |  | |

Note:

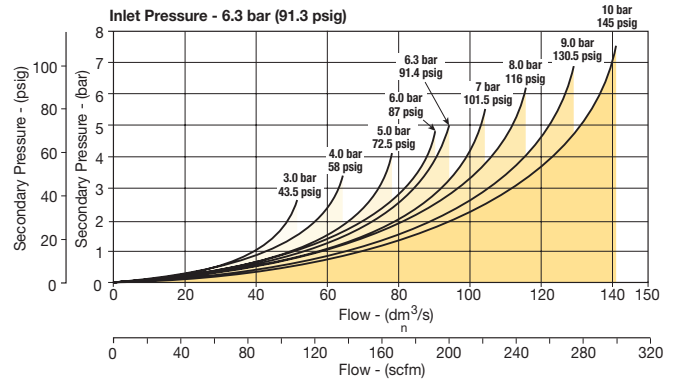
For solenoid operators and cable plugs (connectors) see pages B83 and B84.

Flow Charts

P31DA 1/4" Remote Dump Valve

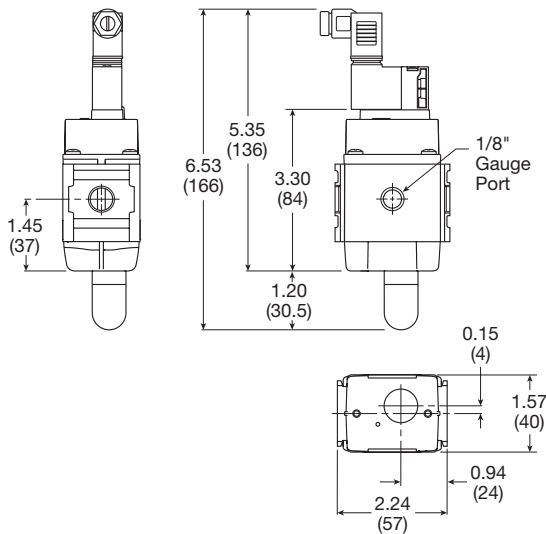


P32DA 1/2" Remote Dump Valve

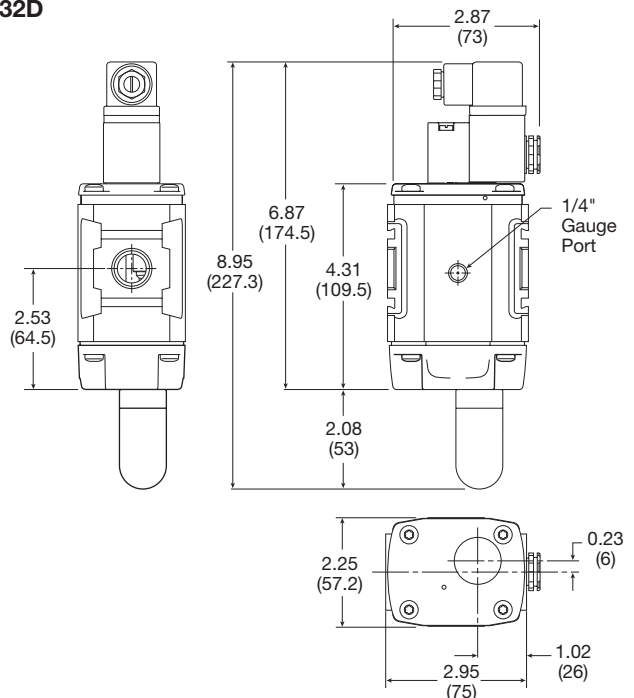


Dimensions inches (mm)

P31D



P32D



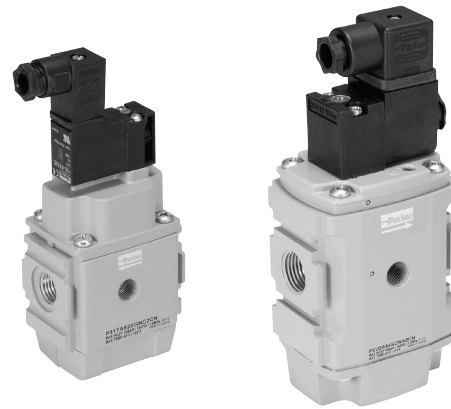
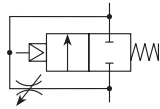
 Most popular.



For inventory, lead times, and kit lookup, visit www.pdnplu.com

P31S & P32S Soft Start Valves

- Modular design with 1/4" or 1/2" integral ports (NPT, BSPP & BSPT)
- The 2-way, 2-position function provides for the safe introduction of pressure
- Adjustable slow start
- Solenoid or air pilot options
- High flow



Parker Global Series Soft Start Valves, provide for the safe introduction of pressure to machines or systems. Soft Start Valves, allow the pressure to gradually build to the set point before fully opening to deliver full flow at line pressure.

The controlled introduction of pressure can be an important safety factor and prevent damage to tooling when air pressure is introduced at machine or system start up.

Note: Soft Start Valves must be installed downstream of a 3/2 valve with exhaust capability

| Port Size | Description | Weight lbs (kg) | Part Number |
|-----------|-------------------------------------|-----------------|-----------------------|
| 1/4" | 120VAC Solenoid & Cable Plug | 0.8 (0.37) | P31SA92SGNC1FN |
| 1/4" | 24VDC Solenoid & Cable Plug | 0.9 (0.41) | P31SA92SGNC2CN |
| 1/4" | Internal Air Pilot Operated | 0.8 (0.37) | P31SA92Y0N |
| 1/4" | External Air Pilot (1/8" threaded) | 0.8 (0.37) | P31SA92PPN |
| 1/2" | 120VAC 30mm Coil & Cable Plug Incl. | 1.5 (0.87) | P32SA94SCNA3GN |
| 1/2" | 24VDC 30mm Coil & Cable Plug | 2.0 (0.90) | P32SA94SCNA2CN |
| 1/2" | Internal Air Pilot Operated | 2.0 (0.90) | P32SA94Y0N |
| 1/2" | External Air Pilot (1/8" threaded) | 1.5 (0.87) | P32SA94PPN |

Operating information

| | | |
|---------------------------|-----------|---------------------------------------|
| Flow capacity*: | P31S | 36 scfm (17 dm ³ /s, ANR) |
| | P32S | 101 scfm (48 dm ³ /s, ANR) |
| Temperature range (max)†: | | |
| Solenoid operated | | 14°F to 122°F (-10°C to 50°C) |
| Air pilot operated | | -4°F to 176°F (-20°C to 80°C) |
| Pressure (max): | | |
| Solenoid operated | | 150 psig (10 bar) |
| Air pilot operated | | 250 psig (7 bar) |
| Operating pressure (min): | | 44 psig (3 bar) |
| Fluid: | | Compressed air |
| Ports: | Air pilot | 1/8" |
| | Gauge | P31S - 1/8"; P32S - 1/4" |

* Inlet pressure 91.3 psig (6.3 bar), inlet pressure and 14.5 psig (1 bar) pressure drop.

† Air supply must be dry enough to avoid ice formation at temperatures below 35.6°F (2°C). Snap pressure: Full flow when downstream pressure reaches 50% of the inlet pressure.

Ordering Information:

P31SA 9 2 S G N C 2CN

| Body Size | Thread Type | Pilot type | Actuator Interface | Solenoid Voltage | Solenoid type |
|------------------|-------------|----------------------|----------------------------|--|---|
| Soft Start P31SA | BSPP 1 | P External air pilot | O Internal Pilot | 2CN 24VDC non Locking Manual Override | C 15mm (P31 series only) |
| Soft Start P32SA | BSPT 2 | S Solenoid pilot | G 15mm Solenoid (P31 only) | 3GN 120VAC non Locking Manual Override | A 30mm CNOMO coil (P32 only) |
| | NPT 9 | Y Internal air pilot | C 30mm Solenoid | 1FN 120VAC Non Locking Manual Override (P31 series only) | D 30mm CNOMO coil (M12 connection) (P32 only) |
| | | | P Threaded Air Pilot | | |

Note: P32 unit used for both P32 & P33 series

Global Modular Mini (1/4") 2
 Global Modular Compact (1/2") 4

Most popular.

B

Global Air Preparation

Introduction

Filters

Coalescers

Regulators

Filter / Regulators

Lubricators

Combinations

Accessories and Kits



For inventory, lead times, and kit lookup, visit www.pdnplu.com

B62

Parker Hannifin Corporation
 Pneumatic Division
 Richland, Michigan
www.parker.com/pneumatics

Material Specifications

| | |
|------------|-------------|
| Body | Aluminum |
| Body cover | Polyester |
| Seals | Nitrile NBR |

Service Kits

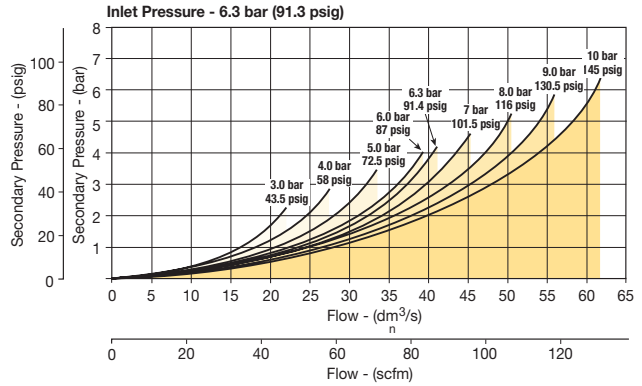
| | | |
|------|---------------------------|------------------|
| P31S | L-bracket mounting kit | P3HKA00ML |
| | Foot bracket mounting kit | P3HKA00MC |
| P32S | L-bracket mounting kit | P3KKA00ML |
| | Foot bracket mounting kit | P3KKA00MC |

Note:

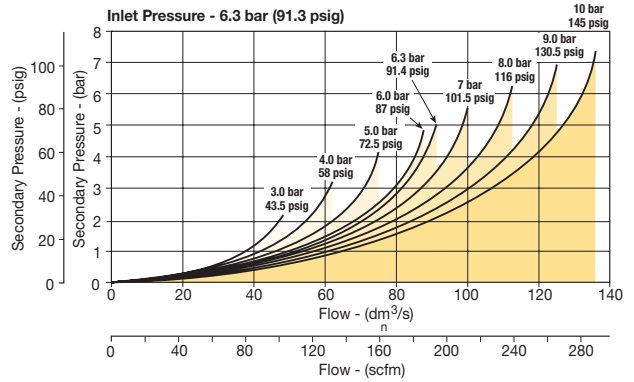
For solenoid operators and cable plugs (connectors) see pages B83 and B84.

Flow Charts

P31SA 1/4" Soft Start Valve

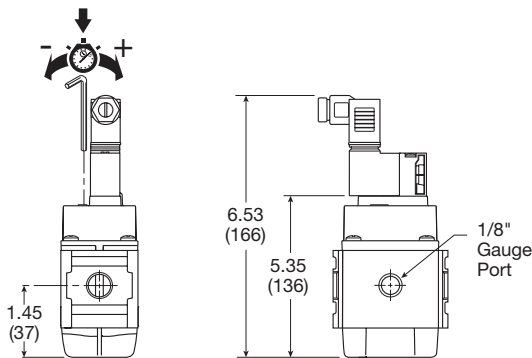


P32SA 1/2" Soft Start Valve

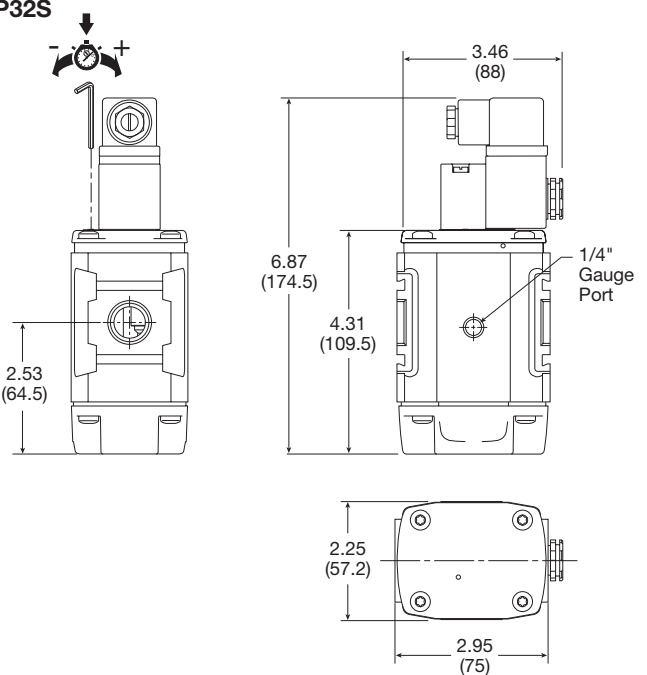


Dimensions inches (mm)

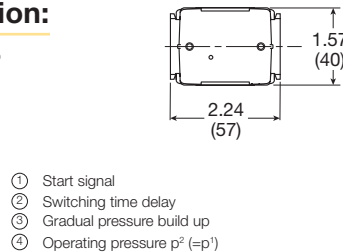
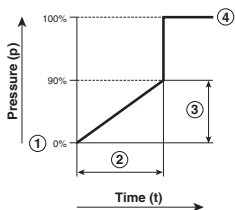
P31S



P32S



Soft Start Function:



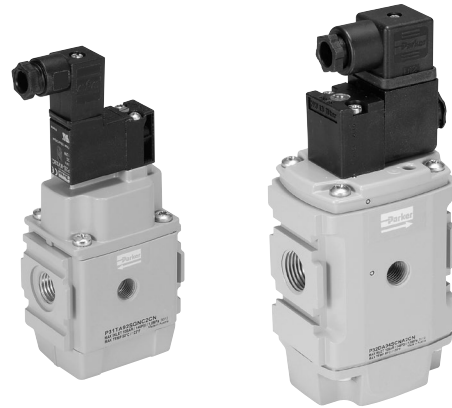
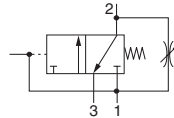
- ① Start signal
- ② Switching time delay
- ③ Gradual pressure build up
- ④ Operating pressure p^2 ($=p^1$)



For inventory, lead times, and kit lookup, visit www.pdnplu.com

P31T & P32T Combined Soft Start / Dump Valves

- Modular design with 1/4" or 1/2" integral ports (NPT, BSPP & BSPT)
- Provides for the safe introduction of pressure
- The 3-way, 2-position function automatically dumps downstream pressure on the loss of pilot signal
- Adjustable slow start
- Solenoid or air pilot options
- High flow & exhaust capability
- Silencer included



Parker Global Series Combined Soft Start / Dump Valves, provide for the safe introduction of pressure to machines or systems. Soft Start / Dump Valves when set, allow the pressure to gradually build to the set point before fully opening to deliver full flow at line pressure.

The controlled introduction of pressure can be an important safety factor and prevent damage to tooling when air pressure is introduced at machine or system start up.

To maintain these units in the open position a pilot supply to the air pilot operated version or an electrical signal to the solenoid operated version must be maintained. The valve will automatically dump when the holding signal is removed.

| Port Size | Description | Weight lbs (kg) | Part Number |
|-----------|-------------------------------------|-----------------|-----------------------|
| 1/4" | 120VAC Solenoid & cable plug | 0.8 (0.37) | P31TA92SGNC1FN |
| 1/4" | 24VDC Solenoid & cable plug | 0.9 (0.41) | P31TA92SGNC2CN |
| 1/4" | External air pilot operated | 0.8 (0.37) | P31TA92PPN |
| 1/2" | 120VAC 30mm coil & cable plug incl. | 1.9 (0.87) | P32TA94SCNA3GN |
| 1/2" | 24VDC 30mm coil & cable plug incl. | 2.0 (0.91) | P32TA94SCNA2CN |
| 1/2" | External air pilot operated | 1.9 (0.87) | P32TA94PPN |

Operating information

| | | |
|---------------------------|--------------------|---------------------------------------|
| Flow capacity*: | P31T | 36 scfm (17 dm ³ /s, ANR) |
| | P32T | 108 scfm (51 dm ³ /s, ANR) |
| Temperature range (max)†: | | |
| | Solenoid operated | 14°F to 122°F (-10°C to 50°C) |
| | Air pilot operated | -4°F to 176°F (-20°C to 80°C) |
| Pressure (max): | | |
| | Solenoid operated | 150 psig (10 bar) |
| | Air pilot operated | 250 psig (7 bar) |
| Operating pressure (min): | | 44 psig (3 bar) |
| Fluid: | | Compressed air |
| Ports: | Air pilot | 1/8 |
| | Exhaust | P31T - 1/4; P32T - 1/2 |
| | Gauge | P31T - 1/8; P32T - 1/4 |

* Inlet pressure 91.3 psig (6.3 bar), inlet pressure and 14.5 psig (1 bar) pressure drop.

† Air supply must be dry enough to avoid ice formation at temperatures below 35.6°F (2°C). Snap pressure: Full flow when downstream pressure reaches 50% of the inlet pressure.

Ordering Information:

P31TA 9 2 S G N C 2CN

| | | |
|--------------------------------------|----------------------------|--|
| Body Size | Actuator Interface | Solenoid Voltage |
| Soft Start / Dump Valve (1/4") P31TA | G 15mm Solenoid (P31 only) | 2CN 24VDC Non Locking Manual Override |
| Soft Start / Dump Valve (1/2") P32TA | C 30mm Solenoid | 3GN 120VAC Non Locking Manual Override |
| | P Threaded Air Pilot | 1FN 120VAC Non Locking Manual Override (P31 series only) |
| Thread Type | Pilot Type | Solenoid Type |
| BSPP 1 | P External Air Pilot | C 15mm (P31 series only) |
| BSPT 2 | S Solenoid Pilot | A 30mm CNOMO Coil (P32 only) |
| NPT 9 | | D 30mm CNOMO Coil (M12 connection) (P32 only) |
| Port Size | | |
| Global Modular Mini (1/4") 2 | | |
| Global Modular Compact (1/2") 4 | | |

Note: P32 unit used for both P32 & P33 series

Most popular.

B

Global Air Preparation

Introduction

Filters

Coalescers

Regulators

Filter / Regulators

Lubricators

Combinations

Accessories and Kits



For inventory, lead times, and kit lookup, visit www.pdnplu.com

Combined Soft Start / Dump Valves

Air Preparation Products Global Air Preparation

Material Specifications

| | |
|------------|-------------|
| Body | Aluminum |
| Body cover | Polyester |
| Seals | Nitrile NBR |

Service Kits

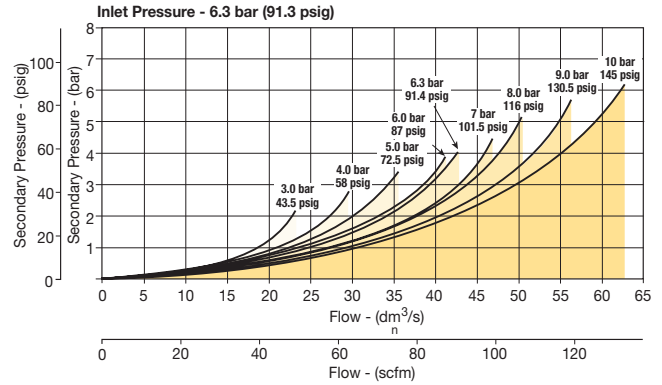
| | | |
|------|---------------------------|------------------|
| P31T | L-bracket mounting kit | P3HKA00ML |
| | Foot bracket mounting kit | P3HKA00MC |
| P32T | L-bracket mounting kit | P3KKA00ML |
| | Foot bracket mounting kit | P3KKA00MC |

Note:

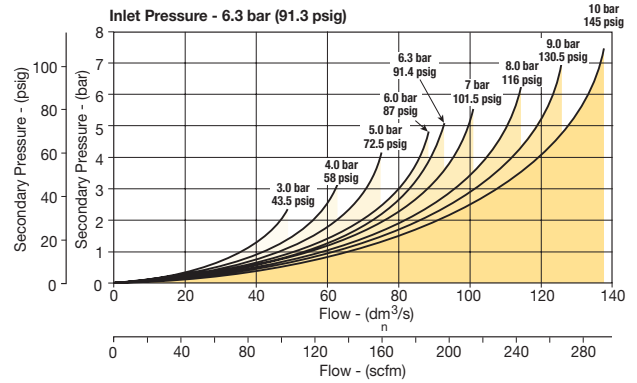
For solenoid operators and cable plugs (connectors) see pages B83 and B84.

Flow Charts

P31TA 1/4" Soft Start & Dump Valve

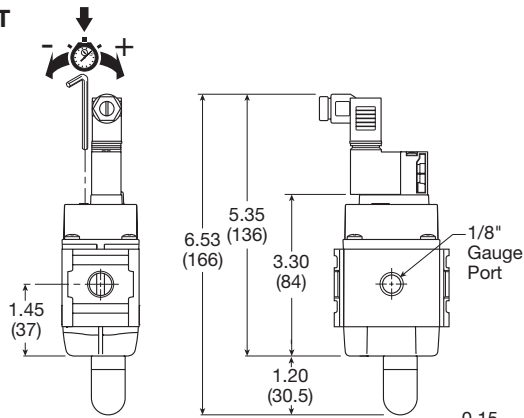


P32TA 1/2" Soft Start & Dump Valve

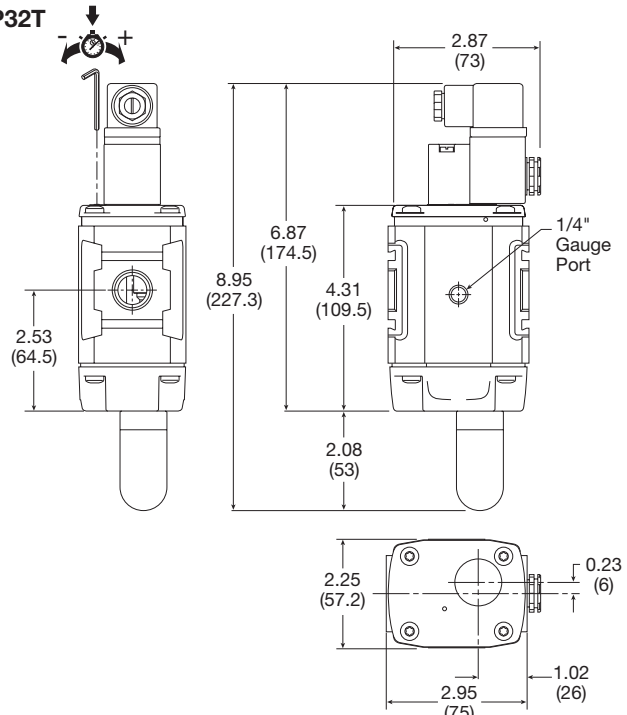


Dimensions inches (mm)

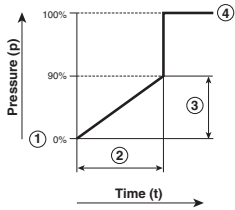
P31T



P32T



Soft Start Function:



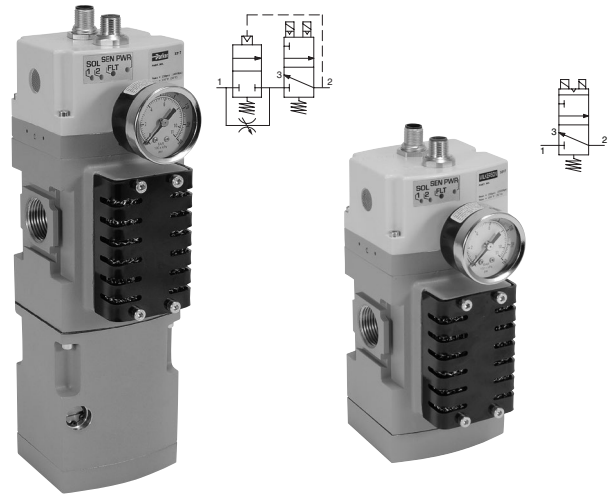
- Start signal
- Switching time delay
- Gradual pressure build up
- Operating pressure p² (=p¹)



For inventory, lead times, and kit lookup, visit www.pdnplu.com

P33D & P33T Safety Exhaust Valves

- Easy electrical interface with M12 connectors to safety circuit
- External monitoring provides a cost and space saving advantage
- Solid state pressure sensors provide accurate, fast fault detection
- Quick visual LED indicators on the front of the valve
- Superior seated seal design for longer life
- Safety exhaust outlet is no-maintenance and non-clog by design
- Suitable for stand alone use or modular mounting to P32 or P33 FRL assembly
- High B10 life value
- Fast exhaust times allow for smaller machine footprint



(optional soft start)



Operating information

| | |
|-----------------------------|---|
| Operating pressure: | 30 to 150 PSIG (2 to 10 bar) |
| Minimum operating pressure: | 30 PSIG (2 bar) |
| Ambient temperature: | 40° to 120°F (4° to 50°C) |
| Recommended filtration: | 40µ |
| Operating medium: | Compressed air |
| Ingress protection class: | IP65 |
| B10 (mio): | 10 million switching cycles |
| B10 d (mio): | 20 million switching cycles |
| Allowable discordance: | 150ms |
| Flow media: | Compresses air to ISO 8573-1 Class 7:4:4 |
| Weight lbs (kg): | 6.5 (2.9) with soft start 4.2 (1.9) without soft start |

The soft start opens to full flow at approximately 60% of input pressure.

Ordering Information:

| | | | | | | | | | |
|------------------------------|-----------------------------|--|----------------------------|---------------------------------------|------------------------------|--|--|--|---|
| P3 | 3 | T | B | 1 | 6 | A | B | E | N |
| Series Standard P3 | Global Standard 3 | Type Safety Redundant (no soft start) D Safety Redundant (c/w soft start) T | Design Current B | Thread Type BSPP 1 NPT 9 | Port Size 3/4" 1 6 | Output for Solenoid, M12 Connector Pin 2 & 4, Common 3 A 3 & 4 C 2 & 4 D | Sensor Monitoring External E | Output for Sensors, M12 Connector Pin 1 & 2, 1 & 4, Common 3 A 1 & 2, 5 & 4, Common 3 B 5 & 2, 1 & 4, Common 3 C | Gauge² No Gauge N Dial Gauge ³ (standard) G Digital Gauge ³ D MPS-P34 Pressure Sensor M |

Notes:

1. For 1/2" connections use 1/2" port blocks on standard 3/4" housing.
2. Safety valve supplied with 1/8" gauge port in either BSPP or NPT threads as specified for ports. Gauges shipped loose.
3. Dial or digital gauge not available on BSPP version.

Note: Mounting hardware and port blocks are sold separately.

Most popular.



For inventory, lead times, and kit lookup, visit www.pdnplu.com

B
 Global Air Preparation
 Introduction
 Filters
 Coalescers
 Regulators
 Filter / Regulators
 Lubricators
 Combinations
 Accessories and Kits

Safety Exhaust Valves

Air Preparation Products Global Air Preparation

General Technical Data

| | |
|------------------|--|
| Valve type | Externally monitored, redundant, dual poppet |
| Soft start | Optional |
| Valve function | 3/2 way, normally closed |
| Housing material | Cast aluminum |
| Seals | NBR |
| Fasteners | Stainless steel / brass |
| Silencer | Steel, non clog safety design |

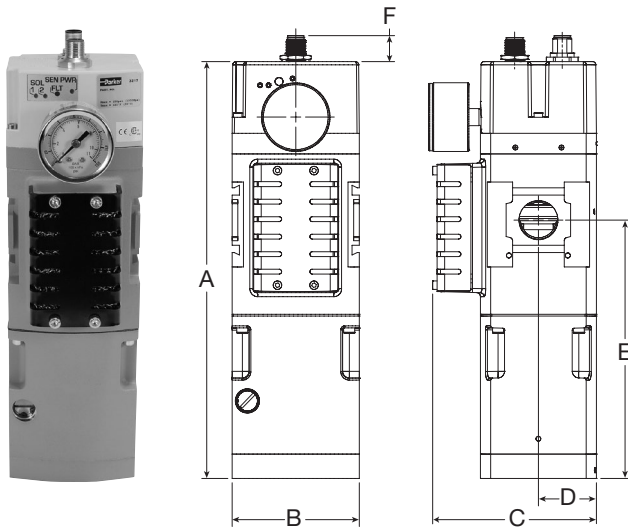
Electrical Specifications

| | |
|---|--------------------|
| Operating voltage | 24V DC |
| Electrical connection | Two M12 connectors |
| Switching time 1-2 (ms) | 23.3 |
| Switching time 2-3 (ms) | 42.7 |
| Duty cycle (%) | 100% |
| Operating voltage (DC) | 21.6 to 26.4 |
| Nominal power | |
| per solenoid coil at 24V DC (W) +/- 10% | 1.2 W |
| per pressure sensor at 24V DC | 1.2 W |

In accordance with EN ISO 13849-1 this safety valve is suitable for use up to Category 4, Ple, sil 3. Certified to cCSAus and bears the CE mark.

A product Integration Guide is available to help connect your logic controller to the Parker Safety Exhaust Valve under the Product Support tab at www.parker.com/pdn/safetyvalve

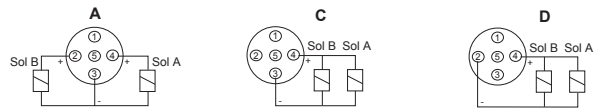
Externally Monitored (with Soft Start)



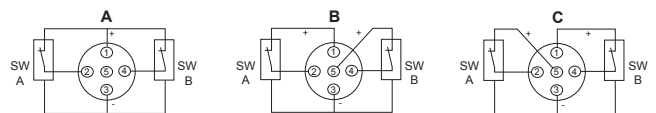
Mounting Hardware

| | | |
|--|-----------|------------------|
| Body Connector | | P32KA00CB |
| T-Bracket w / Body Connector | | P32KA00MT |
| T-Bracket (fits to body connector or port block) | | P32KA00MB |
| Port Block Kits (includes two) | 1/2" NPT | P32KA94CP |
| | 1/2" BSPT | P32KA24CP |
| | 1/2" BSPP | P32KA14CP |
| | 3/4" NPT | P32KA96CP |
| | 3/4" BSPT | P32KA26CP |
| | 3/4" BSPP | P32KA16CP |

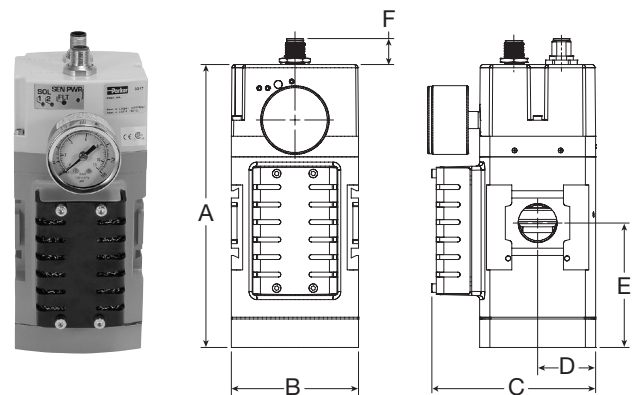
Solenoid M12 Pinouts



Pressure Sensor M12 Pinouts



Externally Monitored (No Soft Start)



Dimensions inches (mm)

| | Ports | Standard nominal flow rate | | A | B | C | D | E | F |
|--------------------------------------|-------|----------------------------|---------------------|---------------|-----------|--------------|-------------|--------------|-------------|
| | | 1 → 2 L/min (SCFM)* | 2 → 3 L/min (SCFM)* | | | | | | |
| Externally Monitored with soft start | 3/4" | 4,100 (145) | 7,500 (265) | 10.31 (261.9) | 3.15 (80) | 4.30 (109.3) | 1.44 (36.5) | 6.39 (162.3) | 0.64 (16.3) |
| Externally Monitored no soft start | 3/4" | 4,300 (152) | 7,500 (265) | 7.03 (178.7) | 3.15 (80) | 4.30 (109.3) | 1.44 (36.5) | 3.11 (79.0) | 0.64 (16.3) |

* Standard nominal flow rate is based on 6 bar input pressure with ΔP = 1 bar



For inventory, lead times, and kit lookup, visit www.pdnplu.com

Safety Exhaust Valves

Safety Exhaust Valve Function

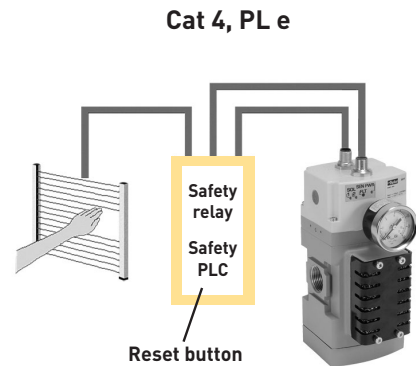
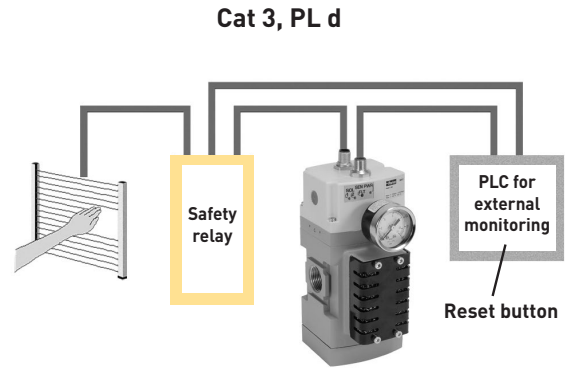
When applications demand a safe environment you can count on safety valves from Parker Hannifin. The P33 family of safety exhaust valves are 3/2 normally closed valves designed to rapidly exhaust compressed air in the event of a fault condition and to provide monitored coverage ensuring safe function. The P33 is available in two distinct styles, internally* or externally monitored. The valve is suitable for use up to Category 4, performance level e. Monitoring is achieved externally via a two channel system connected to a safety interface device. Both valves are available with an adjustable soft start and high flow exhaust to shut your equipment down faster when needed. LED's provide clear status of main solenoid operation, sensor power and fault condition for quick visual reference.

Externally Monitored Valve, Faults and Resets

The externally monitored valve has the monitoring done via a PLC or relay which offers a size and cost advantage over internally monitored valves. The integration of a safety interface into the PLC or relay will help determine the achievable category and performance level of the control system. Customers are required to provide the logic function via the safety device. The valve will lock-out to the "safe state" if asynchronous movement of the valve elements occur which will be detected by solid state pressure sensors. To achieve the proper safety rating, the safety PLC or relay must monitor the solid state pressure sensors to ensure they are not in different states for more than 150ms. If the sensors are in different states for longer than 150ms then the programming logic must shut off power to the solenoids and consider it a fault condition. If during operation the externally monitored P33 enters a fault condition the valve will shut off. A separate reset signal must be incorporated into the logic sequence to avoid automatic restart of the valve. The safety exhaust valves are not for use with clutch or brake applications and are designed for use in conjunction with a safety relay or safety PLC for safe monitoring and fault detection.

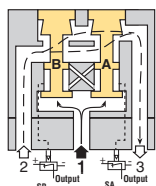
Achieving Desired Performance Level **

The category and performance level (PLr) needed for your machine is determined by a risk assessment of the machinery design and application based on EN ISO 13849-1. The Parker P33 safety valve is designed for those applications requiring a PL of d or e. Please note these levels require other aspects of the system to meet these requirements. As a guide: you can achieve a Cat 4 PL e system by integrating monitoring via a programmable safety rated device. Because the P33 is a mechanical fail-safe device, the monitoring could also be done via a standard PLC and still attain as high as a PL d rating.



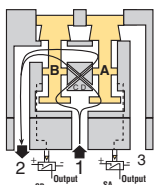
* For information on internally monitored safety valves reference Bulletin 0700-B13.

** An integration guide is available to provide further information on connecting the safety valve product to achieve the desired performance level. Please consult Parker and the standard EN ISO 13849-1 for more information.



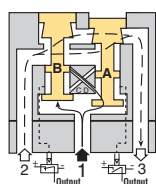
Conditions at Start

The Safety exhaust valve starts with inlet 1 closed to outlet 2 by both valve elements A and B. Outlet 2 is open to exhaust 3. Pressure signals at both sensors SA and SB are exhausted and contacts 1 and 2 of sensors SA and SB are connected. The normally closed sensors both provide voltage feedback signals to the external monitoring system.



Normal Operation

During normal operation the two solenoids are simultaneously energized which actuates both pilots and causes valve elements A and B to shift. Inlet 1 is then connected to outlet 2 via crossflow passages C and D. Exhaust 3 is closed. Sensing pressure signals go to each pressure sensor and become equal to inlet pressure. Both sensors contacts open and no voltage signals are provided to the external monitoring system. This indicates that both sides of the valve actuated as expected.



Detecting a Malfunction

A malfunction in the system or the valve itself could cause one valve element to be open and the other closed. Air then flows past the inlet poppet on valve element A, into crossflow passage D, but is substantially blocked by the spool portion of element B. The large size of the open exhaust passage past element B keeps the pressure at the outlet port below 2% of inlet pressure. Full sensing air pressure from side A goes to sensor SA, and a reduced pressure goes to sensor SB. This full pressure signal causes SA to open. Sensor SB, with a reduced pressure signal, does not open. An external monitoring system can detect the malfunction by monitoring the outputs of the SA and SB sensors. The external monitor system must then react accordingly by shutting down the power to the valve solenoids and any other components deemed necessary to stop the machine.

B

Global Air Preparation

Introduction

Filters

Coalescers

Regulators

Filter / Regulators

Lubricators

Combinations

Accessories and Kits



For inventory, lead times, and kit lookup, visit www.pdnplu.com

Safety Exhaust Valves

Machinery Directive - Overview

The Machinery Directives' goal is to protect people and the environment from accidents caused from all types of machinery. Based on the standard EN 13849 [safety of machines; safety-related parts of control systems] these standards build the procedure to assess safety-related control systems.

Required Performance Level (PLr) based on a risk assessment are now commonly used to determine the safety level required for the controls system, for the application of machinery.

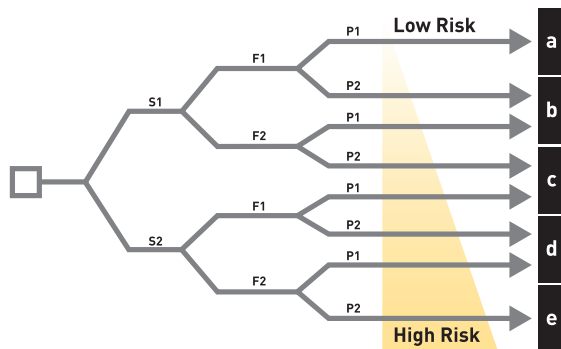
Performance Level (PL) based on the original B, 1,2,3,4 safety categories, diagnostic capabilities, Mean time to dangerous failure (MTTFd), and common cause failure (CCF), define safety levels of a given safety function. This ensures that safety is not just focused on component reliability, but instead introduces common sense safety principles such as redundancy, diversity, and fail-safe behavior of safety related control parts.

The new EN 13849 standards of the Machinery Directive dictates the machine is safe when the Performance Level of the safety control circuit is equal to or greater than the Required Performance Level of the application. When determining the required performance level, the greater the risk, the higher the requirements of the control system.

$$PLr \leq PL$$

Determining PLr According to EN 13849-1

The level of each hazardous situation is classified in five Performance levels from a to e. With PL a the control functions contribution to risk reduction is low, while at PL e it is high. The risk graph above can be used as a guideline to determine the required performance level PLr for safety function.



Risk Parameters

(S) Severity of injury

- S1 Slight (normally reversible injury)
- S2 Serious (normally irreversible injury, or death)

(F) Frequency and / or duration of exposure to hazard

- F1 Seldom to less often and / or brief
- F2 Frequent to continuous and / or long

(P) Possibility of avoiding the hazard

- P1 Possibility of avoiding the hazard
- P2 Scarcely ever possible

Determining PL According to EN 13849-1

Determining the MTTF_d = Mean Time To Dangerous Failure

| | | | | | | | | | |
|--|---|------------------|------------------|-----------------------|--------------------------|-----------------------|--------------------------|------------------|--|
| Determining the PL = Performance Level | a | | | | | | | | 10 ⁻³ ≤ PFH _d < 10 ⁻⁴ |
| | b | | | | | | | | 3 X 10 ⁻⁴ ≤ PFH _d < 10 ⁻³ |
| | c | | | | | | | | 10 ⁻⁴ ≤ PFH _d < 3 X 10 ⁻⁴ |
| | d | | | | | | | | 10 ⁻⁷ ≤ PFH _d < 10 ⁻⁶ |
| | e | | | | | | | | 10 ⁻⁶ ≤ PFH _d < 10 ⁻⁷ |
| | | DC < 60% None | DC < 60% None | 60% ≤ DC < 90% Low | 90% ≤ DC < 99% Medium | 60% ≤ DC < 90% Low | 90% ≤ DC < 99% Medium | 99% ≤ DC High | |
| | | Cat. B | Cat. 1 | Cat. 2 | Cat. 3 | Cat. 3 | Cat. 4 | | |
| | | CCF not relevant | | CCF ≥ 65% | | | | | |

Determining the SIL = Safety Integrity Level

Categories Defined by EN 13849-1

| Category | Summary |
|------------|---|
| Category B | When a fault occurs it can lead to the loss of the safety function. |
| Category 1 | Same that Category B, but loss of the safety function is less likely thanks to a good MTTFd of each channel. |
| Category 2 | System behavior allow that the occurrence of a fault can lead to the loss of the safety function between the checks; the loss of the safety function is detected by the check. |
| Category 3 | A single fault in any of safety related parts does not lead to the loss of the safety function. Whenever reasonably possible the single fault shall be detected at or before the next demand upon the safety function. (Means redundancy) |
| Category 4 | Same as Category 3, but if detection of single fault is not possible on or before the next demand upon the safety, an accumulation of these undetected faults shall not lead to the loss of the safety function. (Means redundancy & check) |



For inventory, lead times, and kit lookup, visit www.pdnplu.com

| | |
|----------------------|------------------------|
| B | Global Air Preparation |
| Introduction | Filters |
| Coalescers | Regulators |
| Lubricators | Combinations |
| Accessories and Kits | |

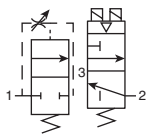
P33T Redundant Safety Exhaust Valve

- Proven control reliable technology with integrated soft start
- Soft start application of air to the system when energized; can be adjusted for slower or faster buildup of system pressure
- Rapid exhaust of downstream air when de-energized to remove stored energy and allow safe access
- Memory, monitoring, and air flow control functions are integrated into two identical valve elements. Valves lock-out if asynchronous movement of valve elements occurs during actuation or de-actuation, resulting in a residual outlet pressure of less than 1% of supply.
- Reset can only be accomplished by the integrated electrical (solenoid) reset. Cannot be reset by removing and re-applying supply pressure.
- Basic 3/2 normally closed valve function: Dirt tolerant, wear compensating poppet design for quick response and high flow capacity.
- LED indicators of main solenoid operation, reset solenoid operation, and status indicator condition.
- Optional transducer for monitoring of downstream pressure in the system.
- Dual exhaust silencers included.
- Not for use with clutch / brake applications.
- For use in conjunction with a safety relay or safety PLC.



Operating information

| | |
|---|---|
| Pilot Solenoids: | According to VDE 0580 |
| Enclosure rating: | According to DIN 400 50 IP65 |
| Connector socket: | According to DIN 43650 Form A Three solenoids, rated for continuous duty |
| Standard voltages: | 24VDC |
| Power consumption (each solenoid), for primary & reset solenoids: | 1.2 Watts on DC |
| Enclosure rating: | IP65, IEC 60529 |
| Electrical connection: | M12, 5-pin |
| Ambient temperature: | 15°F to 122°F (-10°C to 50°C) |
| Media temperature: | 40°F to 175°F (4°C to 80°C) |
| Flow media: | Compressed Air, Filtered to Minimum 40 Micron |
| Inlet pressure: | 30 to 150 psig (2 to 10 bar) |
| Monitoring: | Dynamically, cyclically, internally during each actuating and de-actuating movement. Monitoring function has memory and requires an overt act to reset unit after lockout. |
| Mounting orientation: | Vertically with pilot solenoids on top |
| Port threads: | 3/4 NPT, 3/4 BSPP |
| Control reliable: | Category 4 (Cat 4); performance Level e (PLe) in accordance with Machine directive - EN ISO 13849-1 (Certification pending) |
| Weight: | 16.1 lb (7.3 kg) w/o transducer 16.3 lb (7.4 kg) w/ transducer |



| Port size | | | Cv | | Part Number* |
|-----------|--------|----------------|--------|--------|-----------------------|
| Inlet | Outlet | Transducer | 1 to 2 | 2 to 3 | |
| 3/4 | 3/4 | w/o transducer | 3.7 | 8.5 | P33TA96RG4F2CN |
| 3/4 | 3/4 | w/ transducer | 3.7 | 8.5 | P33TA96RG4G2CN |

* NPT port threads. For BSPP threads, replace "9" in the part number with a "1".

Ordering Information:

| | | | | | |
|---------------------------------------|---|--------------------------------------|--|--|------------|
| P33TA | 9 | 6 R | G 4 | F | 2CN |
| Body Size Standard P33T | Port Size 3/4" 6 | Operator 15mm Solenoid G | Solenoid Dual M12 Connector without Transducer F Triple M12 Connector with Transducer G | Voltage 24VDC with Manual Override 2CN | |
| Thread Type BSPP 1 NPT 9 | Type Solenoid Pilot + Gauge R | Mounting Cat 4 w/Bracket 4 | | | |

Most popular.

B
Global Air
Preparation

Introduction

Filters

Coalescers

Regulators

Filter /
Regulators

Lubricators

Combinations

Accessories
and Kits



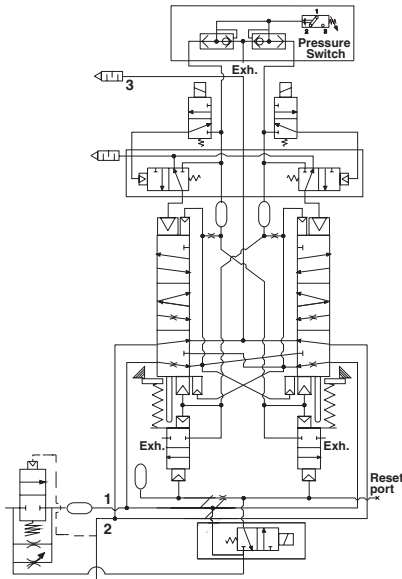
For inventory, lead times, and kit lookup, visit www.pdnplu.com

B70

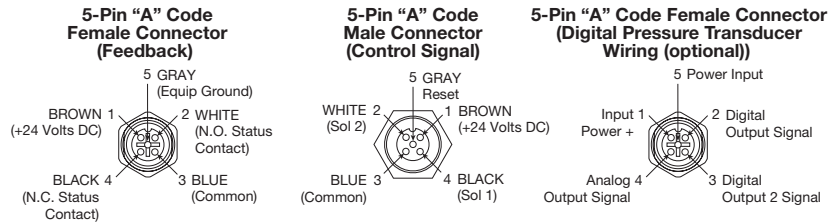
Parker Hannifin Corporation
Pneumatic Division
Richland, Michigan
www.parker.com/pneumatics

Repair and Service Kits

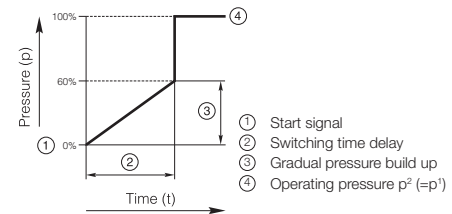
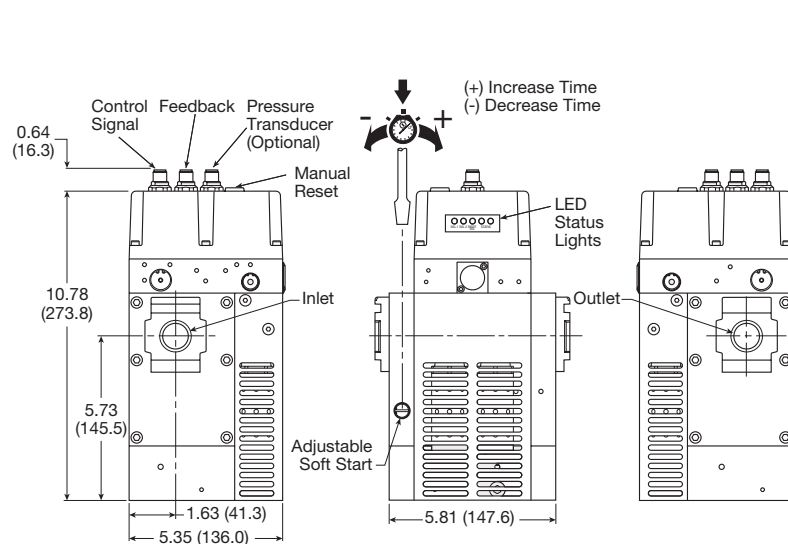
| | |
|---|-------------------------|
| Black grill | 1834C05-001 |
| Body connector | P32KA00CB |
| M12, 5-pin female to flying lead cable, TPE; 6.6 ft (2 m) | RKC 4.5T-2/S1587 |
| M12, 5-pin male to flying lead cable, TPE; 6.6 ft (2 m) | RSC 4.5T-2/S1587 |
| 1/2 NPT, port block kit | P32KA94CP |
| 3/4 NPT, port block kit | P32KA96CP |
| 1/2 BSPP, port block kit | P32KA14CP |
| 3/4 BSPP, port block kit | P32KA16CP |
| 1/2 BSPT, port block kit | P32KA24CP |
| 3/4 BSPT, port block kit | P32KA26CP |
| Pressure switch | 1227A30-001 |
| Pressure transducer (optional) | 1232H30-001 |
| T-bracket w/ body connector | P32KA00MT |
| T-bracket (fits to body connector or port block) | P32KA00MB |
| Silencer(s) 3/4" | 5500A5013 |
| Solenoid (main & reset) | 1527B7916-001 |
| Square flush mounting gauge kit, 0-160 psig | K4511SCR160 |



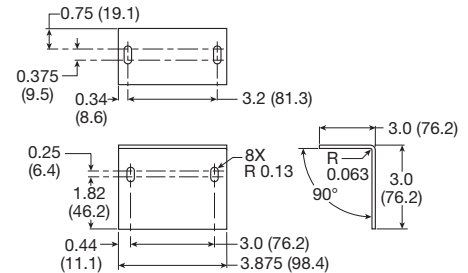
Valve Wiring



Dimensions inches (mm)



Angle Mounting Bracket



Note: Mounting bracket and installation screws included and required to install unit in the system.



For inventory, lead times, and kit lookup, visit www.pdnplu.com

B71

Parker Hannifin Corporation
Pneumatic Division
Richland, Michigan
www.parker.com/pneumatics

B

Global Air Preparation

Introduction

Filters

Coalescers

Regulators

Filter/Regulators

Lubricators

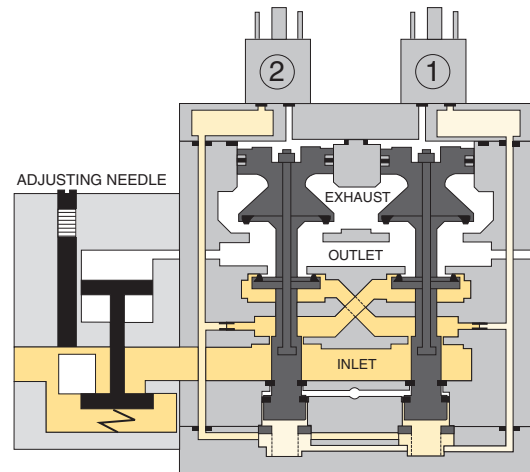
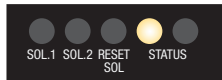
Combinations

Accessories and Kits

Valve de-actuated (ready-to-run):

The flow of inlet air pressure to the inlet chamber of the main valve internals is restricted by a fixed orifice and an adjustable flow control as well as an air piloted 2-way normally closed poppet valve. The flow of inlet air pressure into the crossover passages is restricted by the size of the passage between the stem and the valve body opening. Flow is sufficient to quickly pressurize pilot supply / timing chambers 1 and 2. The inlet poppets prevent air flow from crossover passages into the outlet chamber. Air pressure acting on the inlet poppets and return pistons securely hold the valve elements in the closed position. (Reset adapter omitted for clarity.)

The green "Status" LED will be illuminated indicating the valve is operational.

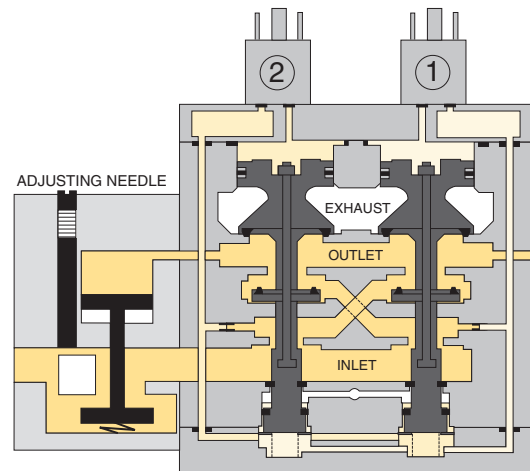
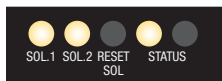


Valve actuated:

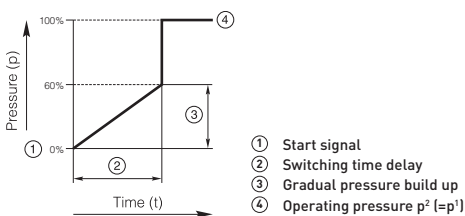
Energizing the pilot valves simultaneously applies pressure to both pistons, forcing the internal parts to move to their actuated (open) position, where inlet air flow to crossover passages is fully open, inlet poppets are fully open and exhaust poppets are fully closed. The outlet is then pressurized at a rate allowed by the fixed orifice and the adjusted flow control. Once the air pressure in the outlet chamber reaches approximately 60% of inlet pressure, the air piloted 2-way normally closed poppet valve opens fully and the pressure in the inlet, crossovers, outlet, and timing chambers are quickly equalized. The adjustable flow control will control the time it takes for the outlet air pressure to reach approximately 60% of inlet pressure.

De-energizing the pilots quickly causes the valve elements to return to the ready-to-run position.

Solenoid 1, Solenoid 2 and the green "Status" LED's will be illuminated indicating the valve is operating properly.



Soft start function:



B

Global Air Preparation

Introduction

Filters

Coalescers

Regulators

Filter / Regulators

Lubricators

Combinations

Accessories and Kits



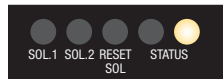
For inventory, lead times, and kit lookup, visit www.pdnplu.com

Valve fault and lock-out:

Whenever the valve elements operate in a sufficiently asynchronous manner, either on actuation or de-actuation, the valve will move to a locked-out position. In the locked-out position, one crossover and its related timing chamber will be exhausted, and the other crossover and its related timing chamber will be fully pressurized. The valve element (side 2) that is partially actuated has pilot air available to fully actuate it, but no air pressure on the return piston to fully de-actuate the valve element.

Air pressure in the crossover acts on the differential of side 2 stem diameters creating a latching force. Side 1 is in a fully closed position, and has no pilot air available to actuate, but has full pressure on the inlet poppet and return piston to hold the element in the fully closed position. Inlet air flow on side 1 into its crossover is restricted, and flows through the open inlet poppet on side 2, through the outlet into the exhaust port, and from the exhaust port to atmosphere. Residual pressure in the outlet is less than 1% of inlet pressure. The return springs are limited in travel, and can only return the valve elements to the intermediate (locked-out) position. Sufficient air pressure acting on the return pistons is needed to return the valve elements to a fully closed position.

The red "Status" LED will be illuminated indicating the valve in fault and lock-out must be reset



Valve reset (electrical or manual):

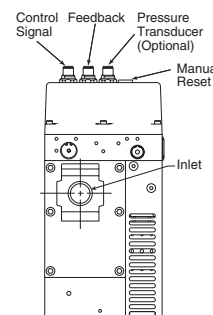
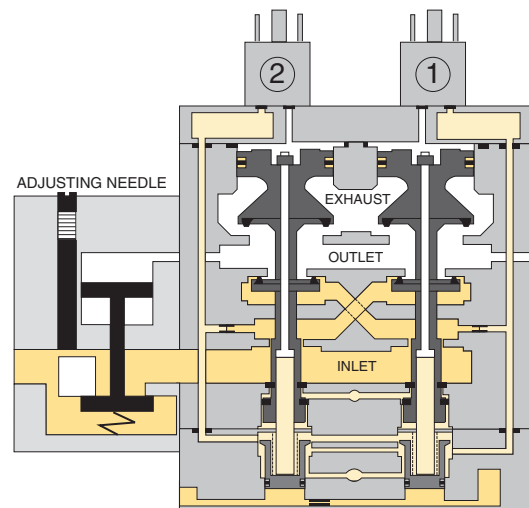
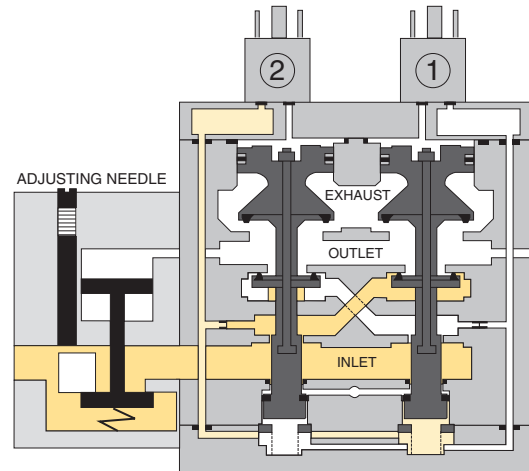
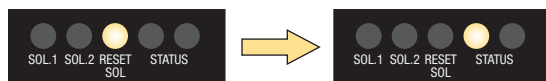
The reset procedure is as follows:

- Remove the electrical signals to the main coils
- Ensure there is air supplied to the valve
- Energize the reset solenoid for a minimum of 200 ms
- Allow a 200 ms delay after de-energizing the reset solenoid and re-energizing the main solenoids

The valve will remain in the locked-out position, even if the inlet air supply is removed and re-applied.

A remote reset signal must be applied to reset the valve. A momentary, remote electrical signal must be applied to the reset solenoid to apply pressure to the reset pistons in the valve. Actuation of the reset piston physically pushes the main valve elements to their closed position. Inlet air fully pressurizes the crossovers and holds the inlet poppets on seat. Actuation of the reset piston opens the reset poppet, thereby, immediately exhausting pilot supply air, thus, preventing valve operation during reset (Reset adapter added to illustration.). De-actuation of reset pistons causes the reset poppets to close and pilot supply to fully pressurize. Reset air pressure is applied by a 3/2 normally closed solenoid, or a manual push button mounted on the reset adapter in the top valve cover.

The green "Status" LED will be illuminated once the valve is reset.



| | |
|--------------|------------------------|
| B | Global Air Preparation |
| Introduction | Filters |
| Coalescers | Regulators |
| Regulators | Filter/Regulators |
| Lubricators | Combinations |
| Combinations | Accessories and Kits |



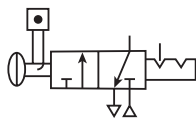
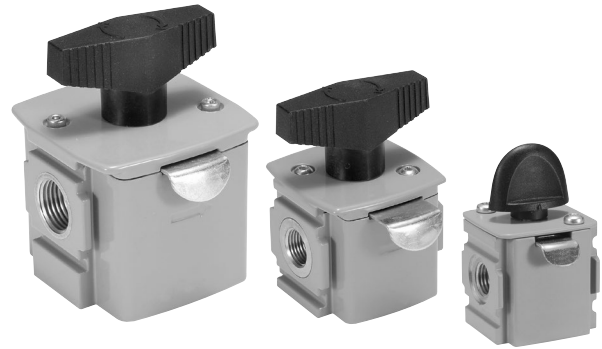
For inventory, lead times, and kit lookup, visit www.pdnplu.com

Ball Valve / Lockout Valve

The Ball / Lockout Valve shuts off downstream line pressure in the closed position with a 90° turn of the handle. In the closed position, inlet air pressure is blocked and downstream / system air is exhausted through a threaded port. To prevent unauthorized adjustment, the padlock slide may be assembled on either side. It is recommended that this slide is installed after final system assembly.

The Safety Lockout valves conform to OSHA #29 CFR part 1910 — control of hazardous energy source (lockout / tagout).

Note: This padlock slide is a permanent assembly and may not be removed later, any unauthorized tampering will void any warranty claims. The valve can only be locked in the closed position.



Operating information

| | |
|------------------------|--------------------------------|
| Operating temperature: | -40°C to 80°C (-40°F to 176°F) |
| Pressure supply (max): | 250 psig (17 bar) |
| Port size: | BSPP / BSPT / NPT |
| | 1/4, 3/8, 1/2, 3/4 |
| Weight: | P31 |
| | 0.33 lbs (0.15 kg) |
| | P32 |
| | 0.79 lbs (0.36 kg) |
| | P33 |
| | 1.21 lbs (0.55 kg) |

Ordering Information

| Model Type | Port Size | Exhaust Port | Thread Type | Flow scfm (dm ³ /s, ANR) | Modular Ball Valve Flow from Left to Right |
|------------|-----------|--------------|-------------|-------------------------------------|--|
| P31 | 1/4" | 1/4" | NPT | 42.4 (20) | P31VB92LBNN |
| P32 | 3/8" | 1/4" | NPT | 190.7 (90) | P32VB93LBNN |
| | 1/2" | 1/4" | NPT | 258.5 (122) | P32VB94LBNN |
| P33 | 1/2" | 1/2" | NPT | 561.5 (265) | P33VB94LBNN |
| | 3/4" | 1/2" | NPT | 678 (320) | P33VB96LBNN |

* Lockout tab and muffler supplied with unit.

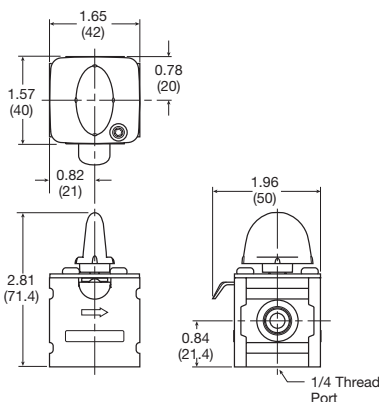
For thread type: BSPP **1**
 BSPT **2**
 NPT **9**

Material Specifications

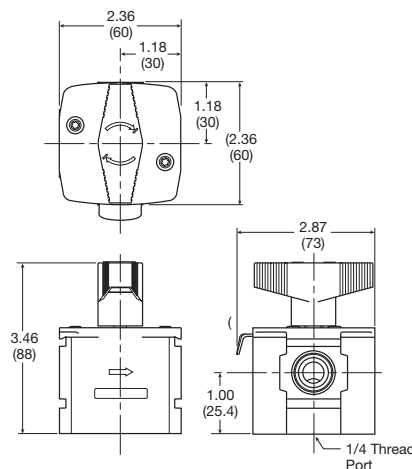
| | |
|-------------|-------------------|
| Body | Aluminum |
| Seals | PTFE |
| Ball | Stainless Steel |
| Lockout Tab | Zinc Plated Steel |
| Screw | Zinc Plated Steel |

Dimensions inches (mm)

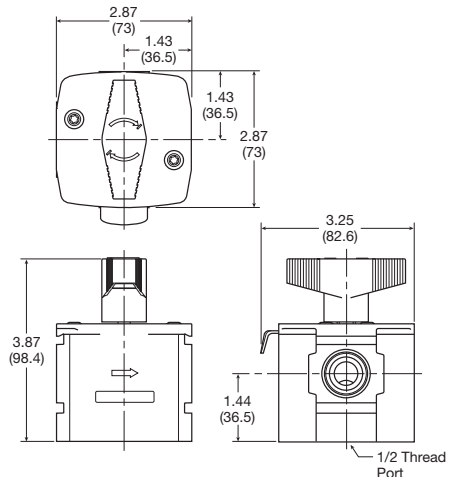
P31



P32



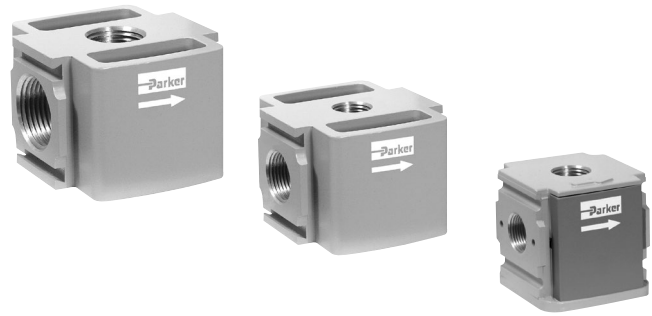
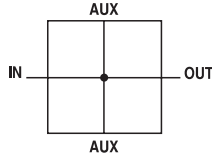
P33



Most popular.

Manifold Blocks

- Available in 1/4" or 3/4" threaded inlet / outlet ports
- Two additional top and bottom auxiliary ports standard
- Can be mounted anywhere in the FRL system



Ordering Information

| Model Type | In / Out Port Size | Auxiliary Port Size Top | Auxiliary Port Size Bottom | Thread Type | Part Number |
|------------|--------------------|-------------------------|----------------------------|-------------|--------------------|
| P31 | 1/4" | 1/4" | 1/4" | NPT | P31MA92022N |
| P32 | 1/2" | 1/4" | 1/2" | NPT | P32MA94024N |
| P33 | 3/4" | 1/4" | 1/2" | NPT | P33MA96024N |

For thread type: BSPP 1
 BSPT 2
 NPT 9

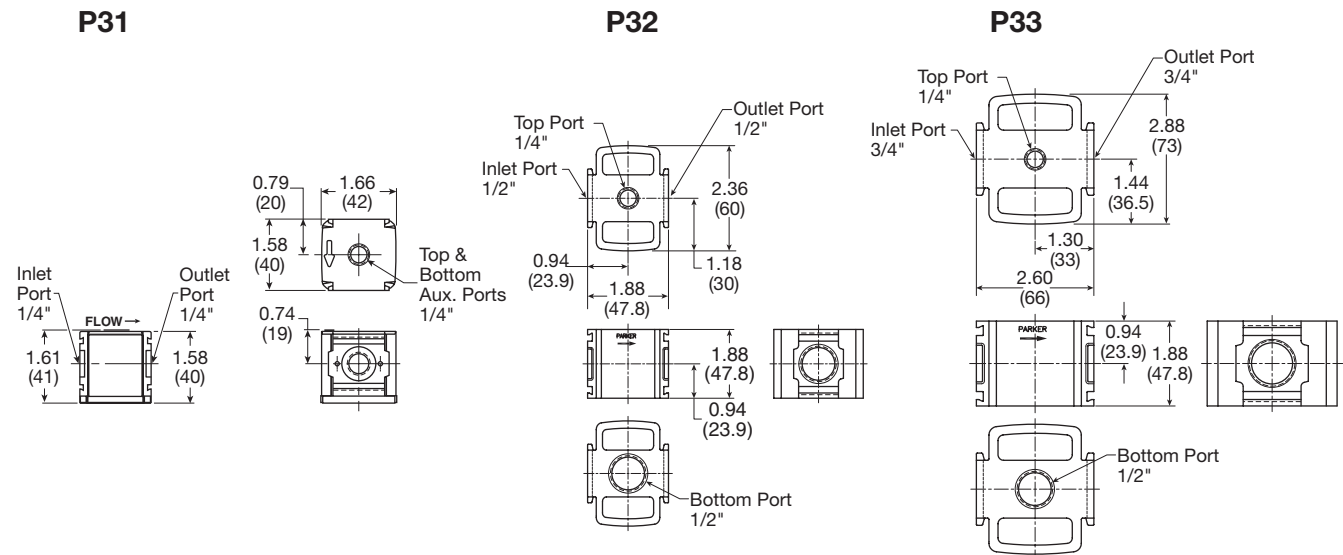
Operating information

| | |
|------------------------|----------------------------------|
| Operating temperature: | -40°F to 150°F (-40°C to 65.5°C) |
| Pressure supply (max): | 300 psig (20.7 bar) |
| Weight: | P31 0.26 lbs (0.12 kg) |
| | P32 0.45 lbs (0.20 kg) |
| | P33 0.45 lbs (0.20 kg) |

Material Specifications

| | |
|------|----------|
| Body | Aluminum |
|------|----------|

Dimensions inches (mm)



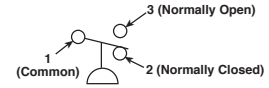
Most popular.



For inventory, lead times, and kit lookup, visit www.pdnplu.com

PPS1 Pressure Switch

- Long life elastomer diaphragm
- High quality snap action switch
- Field adjustable
- Compact design
- Easily customized
- Quick delivery
- NEMA 4, 13



Definitions and Terminology

Repeatability — Accuracy is the maximum allowable set point deviation of a single pressure or temperature switch under one given set of environmental and operational conditions.

Single Pole Double Throw (SPDT) Switching element — A SPDT switching element has one normally open, one normally closed and one common terminal. Three terminals mean that the switch can be wired with the circuit either normally open (NO), or normally closed (NC), or both.

Dead Band — The dead band, sometimes referred to as “differential” or “hysteresis”, is the change in pressure between actuation and deactuation set points.

Operating information

| | |
|---------------------------|--|
| Temperature range: | -40°F to 105°F (-40°C to 220°C) |
| Operating pressure range: | 1, 2, 3 - 250 PSI (17.2 bar) 4 - 2000 PSI (137.9 bar) |
| Set point tolerance | ±1 PSI or 5% (.07 bar) |
| Deadband | 10 - 20% of set pressure |
| Current rating | 3A @ 125 VAC 2A @ 30 VDC (Resistive) |
| Circuit form | SPDT Standard |
| Cycle life | 1 Million |

Ordering Information:

PPS1 - 1 C 3 - R HM

| Thread | |
|----------------|----|
| 1/4" NPT Male | 1 |
| 1/8" NPT Male | 2 |
| 1/4" BSPP Male | 17 |
| 1/8" BSPP Male | 18 |

| Set Point Direction | |
|---------------------|--------|
| R | Rising |

| Electrical Connection | |
|-----------------------|----------------|
| HM | DIN 9.4mm |
| WL | Wire Leads 18" |

| Range* | |
|--------|-------------|
| 1 | 3-10 PSI |
| 2 | 6-30 PSI |
| 3 | 20-120 PSI |
| 4† | 100-400 PSI |

* Factory setting for calibration purposes
 Range 1 = 6 PSI
 Range 2 = 18 PSI
 Range 3 = 70 PSI
 Range 4 = 250 PSI

| Circuit | |
|---------|---|
| SPDT | C |

† Only available in 1/4" NPT

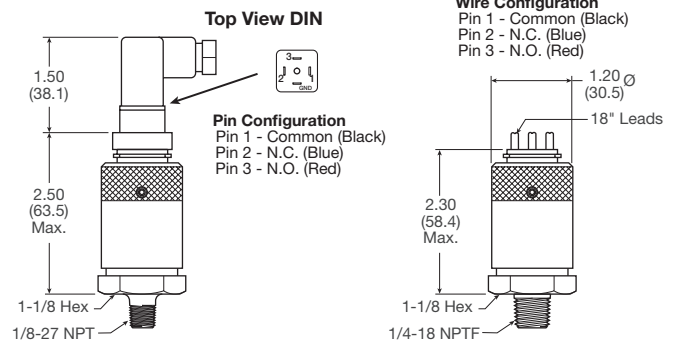
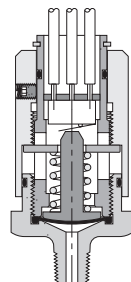
Note: Switch is field adjustable.

Material Specifications

| | |
|-----------------|-------------------|
| Adjustment knob | Anodized aluminum |
| Body | Brass |
| Diaphragm | Nitrile |

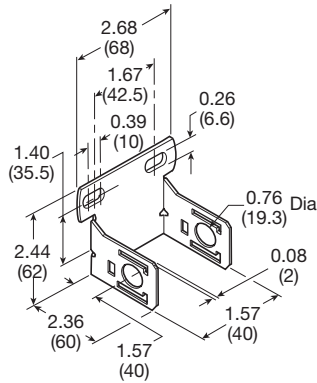
Operation

The pressure switch monitors the air pressure in your pneumatic system. When the pressure in your system either drops below or exceeds the set point pressure, an electrical output is given.

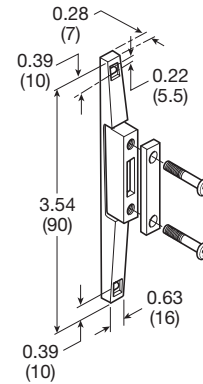


P31 Accessories

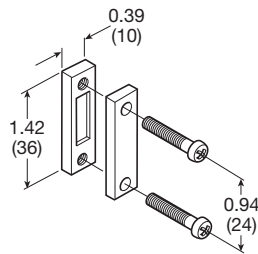
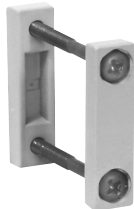
C-Bracket
 (Fits to filter and lubricator body)
P31KA00MW



T-Bracket w/ Body Connector
 (O-ring not shown)
P31KA00MT



Body Connector
 (O-ring not shown)
P31KA00CB



Port Block Kit
 (O-ring not shown)

- | | | | |
|----------------|------------------|----------------|------------------|
| 1/8 NPT | P31KA91CP | 1/8 BSPT | P31KA21CP |
| 1/4 NPT | P31KA92CP | 1/4 BSPT | P31KA22CP |
| 3/8 NPT | P31KA93CP | 3/8 BSPT | P31KA23CP |
| 1/8 BSPP | P31KA11CP | | |
| 1/4 BSPP | P31KA12CP | | |
| 3/8 BSPP | P31KA13CP | | |

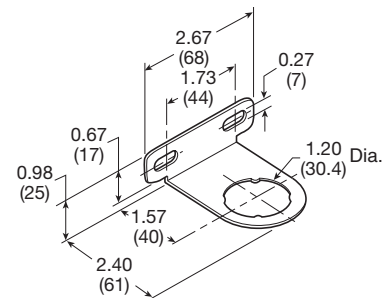


Port Block Kit w/ T-Bracket
 (O-ring not shown)

- | | | | |
|----------------|------------------|----------------|------------------|
| 1/8 NPT | P31KA91CN | 1/8 BSPT | P31KA21CN |
| 1/4 NPT | P31KA92CN | 1/4 BSPT | P31KA22CN |
| 3/8 NPT | P31KA93CN | 3/8 BSPT | P31KA23CN |
| 1/8 BSPP | P31KA11CN | | |
| 1/4 BSPP | P31KA12CN | | |
| 3/8 BSPP | P31KA13CN | | |



Angle Bracket
 (Fits to regulator and filter/regulator body)
P31KB00MR



B

Global Air Preparation

Introduction

Filters

Coalescers

Regulators

Filter/Regulators

Lubricators

Combinations

Accessories and Kits

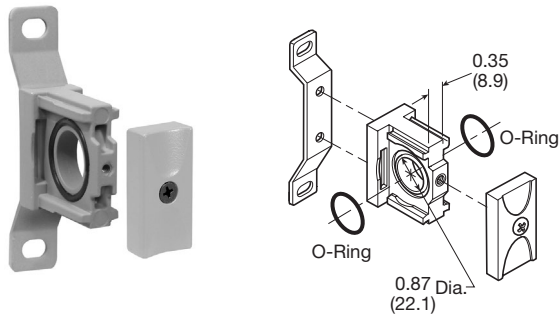


For inventory, lead times, and kit lookup, visit www.pdnplu.com

P32 Accessories

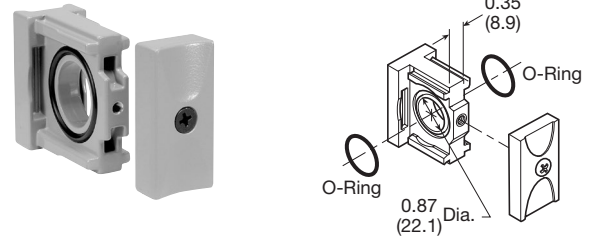
T-Bracket w/ Body Connector

P32KA00MT



Body Connector

P32KA00CB



Port Block Kit

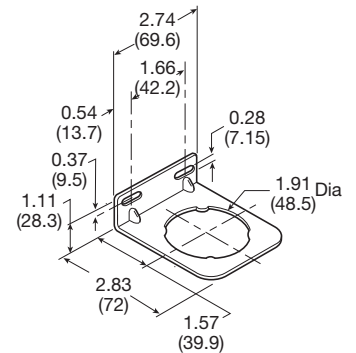
| | | | |
|----------------|------------------|----------------|------------------|
| 1/4 NPT..... | P32KA92CP | 1/4 BSPT | P32KA22CP |
| 3/8 NPT..... | P32KA93CP | 3/8 BSPT | P32KA23CP |
| 1/2 NPT..... | P32KA94CP | 1/2 BSPT | P32KA24CP |
| 3/4 NPT..... | P32KA96CP | 3/4 BSPT | P32KA26CP |
| 1/4 BSPP | P32KA12CP | | |
| 3/8 BSPP | P32KA13CP | | |
| 1/2 BSPP | P32KA14CP | | |
| 3/4 BSPP | P32KA16CP | | |



Angle Bracket

(Fits to regulator and filter/regulator bonnet)

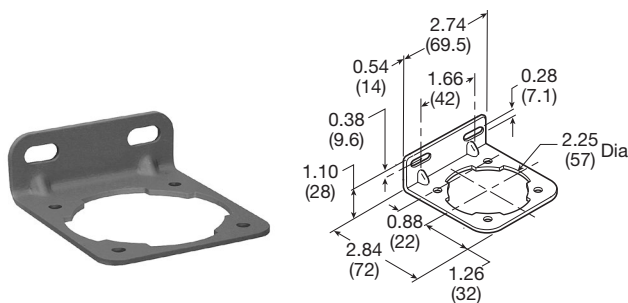
P32KB00MR



L-Bracket

(Fits to filter and lubricator body)

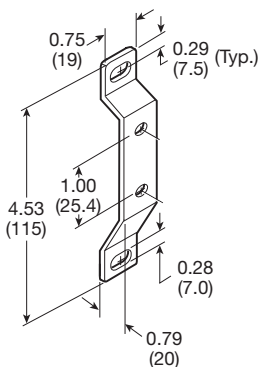
P32KA00ML



T-Bracket

(fits to body connector or port block)

P32KA00MB



B

Global Air
Preparation

Introduction

Filters

Coalescers

Regulators

Filter /
Regulators

Lubricators

Combinations

Accessories
and Kits

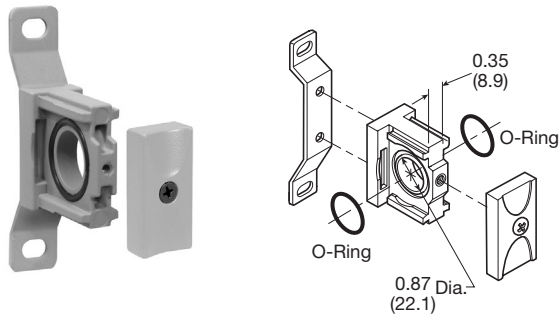


For inventory, lead times, and kit lookup, visit www.pdnplu.com

P33 Accessories

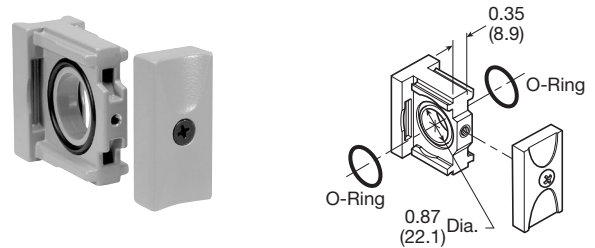
T-Bracket w/ Body Connector

P32KA00MT



Body Connector

P32KA00CB



Port Block Kit

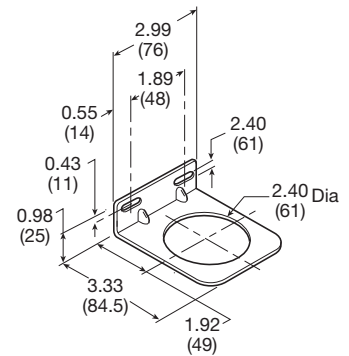
- | | | | |
|----------------|------------------|----------------|------------------|
| 1/4 NPT..... | P32KA92CP | 1/4 BSPT | P32KA22CP |
| 3/8 NPT..... | P32KA93CP | 3/8 BSPT | P32KA23CP |
| 1/2 NPT..... | P32KA94CP | 1/2 BSPT | P32KA24CP |
| 3/4 NPT..... | P32KA96CP | 3/4 BSPT | P32KA26CP |
| 1/4 BSPP | P32KA12CP | | |
| 3/8 BSPP | P32KA13CP | | |
| 1/2 BSPP | P32KA14CP | | |
| 3/4 BSPP | P32KA16CP | | |



Angle Bracket

(Fits to regulator and filter/regulator bonnet)

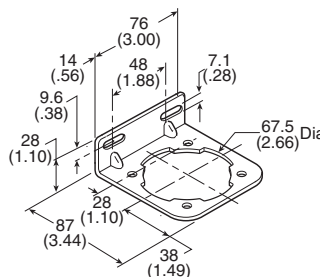
P33KA00MR



L-Bracket

(Fits to filter and lubricator body)

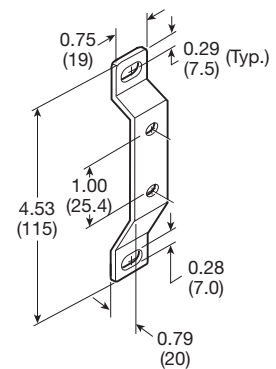
P33KA00ML



T-Bracket

(fits to body connector or port block)

P32KA00MB



B

Global Air
Preparation

Introduction

Filters

Coalescers

Regulators












Filter/
Regulators

Lubricators

Combinations











Accessories
and Kits

B
 Global Air Preparation
 Introduction
 Filters
 Coalescers
 Regulators
 Filter / Regulators
 Lubricators
 Combinations
 Accessories and Kits

| Series | Description | Part number | |
|-------------------|--|---|---|
| P31 P32 P33 | Panel Mount Nut (Plastic) | P31KA00MP P32KA00MP P33KA00MP |  |
| P31 P32 P33 | Panel Mount Nut (Aluminum) | P31KA00MM P32KA00MM P33KA00MM |  |
| P31 P32 P33 | 5µ Element Kit | P31KA00ESE P32KA00ESE P33KA00ESE |  |
| P31 P32 P33 | 1µ Element Kit | P31KA00ES9 P32KA00ES9 P33KA00ES9 |  |
| P31 P32 P33 | 0.01µ Element Kit | P31KA00ESC P32KA00ESC P33KA00ESC |  |
| P31 P32 P33 | Adsorber Element Kit | P31KA00ESA P32KA00ESA P33KA00ESA |  |
| P32 / P33 | Auto Drain Kit | P32KA00DA |  |
| P31 P32 / P33 | Differential Pressure Indicator Kit | P31KB00RQ P32KA00RQ |  |
| P31 / P32 / P33 | Drip Control Assembly Kit | P32KA00PH |  |
| P31 P32 / P33 | Fill Plug Kit | P31KA00PL P32KA00PL |  |
| P31 P32 P33 | Lubricator - Plastic Bowl w/ Bowl Guard No Drain | P31KB00BGN P32KB00BGN P33KA00BGN |  |



For inventory, lead times, and kit lookup, visit www.pdnplu.com

| Series | Description | Part number | |
|-------------------|--|---|---|
| P31 P32 P33 | Lubricator - Metal Bowl w/o Sight Gauge No Drain | P31KB00BMN P32KB00BMN P33KA00BMN |  |
| P32 P33 | Lubricator - Metal Bowl w/ Sight Gauge No Drain | P32KB00BSN P33KA00BSN |  |
| P31 P32 P33 | Metal Bowl w/o Sight Gauge & Manual Drain | P31KB00BMM P32KB00BMM P33KA00BMM |  |
| P31 | Metal Bowl w/o Sight Gauge & Pulse Drain | P31KB00BMB |  |
| P32 P33 | Metal Bowl w/o Sight Gauge & Auto Drain | P32KB00BMA P33KA00BMA |  |
| P32 P33 | Metal Bowl w/ Sight Gauge & Manual Drain | P32KB00BSM P33KA00BSM |  |
| P32 P33 | Metal Bowl w/ Sight Gauge & Auto Drain | P32KB00BSA P33KA00BSA |  |
| P31 P32 P33 | Plastic Bowl w/ Bowl Guard & Manual Drain | P31KB00BGM P32KB00BGM P33KA00BGM |  |
| P31 | Plastic Bowl w/ Bowl Guard & Pulse Drain | P31KB00BGB |  |
| P32 P33 | Plastic Bowl w/ Bowl Guard & Auto Drain | P32KB00BGA P33KA00BGA |  |
| P31 P32 P33 | Regulator - Relieving Repair Kit | P31KB00RB P32KB00RB P33KA00RB | |
| P31 P32 P33 | Regulator - Non-Relieving Repair Kit | P31KB00RC P32KB00RC P33KA00RC | |

B

Global Air
Preparation

Introduction

Filters

Coalescers

Regulators

Filter/
Regulators

Lubricators

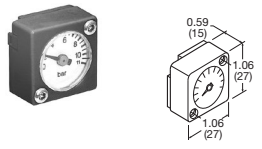
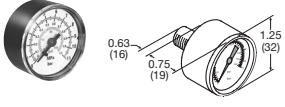
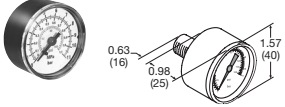
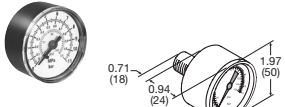



Combinations

Accessories
and Kits



For inventory, lead times, and kit lookup, visit www.pdnplu.com

B
Global Air Preparation
Introduction
Filters
Coalescers
Regulators
Filter / Regulators
Lubricators
Combinations
Accessories and Kits

| Series | Description | Connection | Part number | |
|-------------------|--|--|--|---|
| P31 P32 P33 | Regulator - Main Adjusting Spring 0-30 psig (0-2 bar) Kit | | P31KB00PR P32KB00PR P33KA00PR | |
| P31 P32 P33 | Regulator - Main Adjusting Spring 0-60 psig (0-4.1 bar) Kit | | P31KB00PS P32KB00PS P33KA00PS | |
| P31 P32 P33 | Regulator - Main Adjusting Spring 0-125 psig (0-8.6 bar) Kit | | P31KB00PT P32KB00PT P33KA00PT | |
| P31 P32 P33 | Regulator - Main Adjusting Spring 0-250 psig (0-17 bar) Kit | | P31KB00PV P32KB00PV P33KA00PV | |
| P31 | Square Flush Mounting Gauge Kit | 0-60 psig 0-160 psig 0-4 bar 0-11 bar | K4511SCR060 K4511SCR160 K4511SCR04B K4511SCR11B |  |
| P31 / P32 | Square Mounting Gauge with Adapter Kit | 0-60 psig 0-160 psig 0-4 bar 0-11 bar | P6G-PR90060 P6G-PR90160 P6G-PR10040 P6G-PR10110 | |
| P31 | 1" Round Gauge | 0-60 psig / 0-4.1 bar 1/8" 0-160 psig / 0-10 bar 1/8" | K4510N18060 K4510N18160 |  |
| P31 | 40mm Round Gauge | 0-30 psig / 0-2 bar 1/8" 0-60 psig / 0-4.1 bar 1/8" 0-160 psig / 0-10 bar 1/8" | K4515N18030 K4515N18060 K4515N18160 |  |
| P32 / P33 | 50mm Round Gauge | 0-30 psig / 0-2 bar 1/4" 0-60 psig / 0-4.1 bar 1/4" 0-160 psig / 0-10 bar 1/4" 0-300 psig / 0-20 bar 1/4" | K4520N14030 K4520N14060 K4520N14160 K4520N14300 |  |
| P31 P32 / P33 | Body Connector O-ring (Replacement kit) (Pack of 10) | | P31KA00CY P32KA00CY |  |
| P31 P32 | Tamperproof Knob Kit | | P31KB00AT P32KB00AT |  |
| P31 P32 | Tamperproof Lockable Kit | | P31KB00AL P32KB00AL |  |



For inventory, lead times, and kit lookup, visit www.pdnplu.com

Solenoid Operators - CNOMO

Solenoid operators, coil combinations

| | NC Normal Operator with 22 x 30 standard coil | NC Normal Operator with 30 x 30 standard coil |
|---------------------|---|---|
| Working pressure | 0 to 10 bar | 0 to 10 bar |
| Ambient temperature | -10°C to 60°C * | -10°C to 60°C * |
| Power (DC) | 4.8W | 2.7W |
| Power (AC) | 8.5VA | 4.9VA |
| Voltage tolerance | +/-10% | +/-10% |
| Duty cycle | 100% | 100% |
| Insulation class | F | F |
| Electric connection | B Industrial | DIN 43650A |
| Protection | IP65 | IP65 |
| Approval | | UL/CSA |
| Working media | All neutral media such as compressed air | |

* Limited to 50°C if use with 100% duty cycle

Transients

Interrupting the current through the solenoid coil produces momentary voltage peaks which, under unfavorable conditions, can amount to several hundred times the rated operating voltage. Normally, these transients do not cause problems, but to achieve the Maximum life of relays in the circuit (and particularly of transistors, thyristors and integrated circuits) it is desirable to provide protection by means of voltage-dependent resistors (varistors). All connectors/cable plugs EN175301-803 with LED's include this type of circuit protection.

Materials

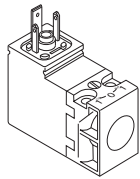
Pilot Valve

| | |
|-----------------|---------------------------------|
| Body: | Polyamide |
| Armature tube: | Brass |
| Plunger & core: | Corrosion resistant Cr-Ni steel |
| Seals: | Fluorocarbon |
| Screws: | Stainless steel |

Coil

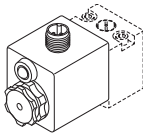
| | |
|-------------------------|---|
| Encapsulation material: | Thermoplastic as standard Duroplast for M12 connection |
|-------------------------|---|

P31 Series only - Solenoid coils 15mm NC



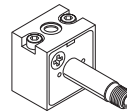
| Voltage | Order code Override, blue, non-locking flush | Weight (kg) |
|------------------------------|---|----------------|
| 24VDC | PS2982B49P | 0.038 |
| 115VAC 50Hz / 120VAC 60Hz | PS2982B53P | 0.038 |

Solenoid Coils with M12 Connection



| Voltage | Part number | Weight (kg) |
|----------------|-----------------|----------------|
| Direct current | | |
| 24VDC | P2FC6449 | 0.065 |

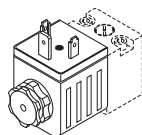
Spare Base Solenoid Pilot Operator CNOMO NC



| Description | Part number non-lock manual override | Weight (kg) |
|---------------|---|----------------|
| Standard Duty | P2FP23N4B | 0.065 |
| No Override | P2FP23N4A | 0.065 |

Note: Solenoid pilot operators are fitted to the Global range. Order the above part numbers for spares. The operators are supplied with mounting screws and interface 'O' rings. Coils and connectors must be ordered separately.

Solenoid Coils with DIN A or Industrial B Connection



| Voltage | 22mm x 30mm Part number B industrial standard | Weight (kg) | 30mm x 30mm Part number DIN 43650A standard | Weight (kg) |
|----------------------|--|----------------|--|----------------|
| Direct current | | | | |
| 24VDC | P2FCB449 | 0.093 | P2FCA449 | 0.105 |
| Alternative current | | | | |
| 110V 50Hz, 120V 60Hz | P2FCB453 | 0.093 | P2FCA453 | 0.105 |

Most popular.

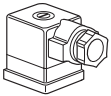
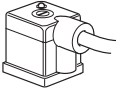


For inventory, lead times, and kit lookup, visit www.pdnplu.com

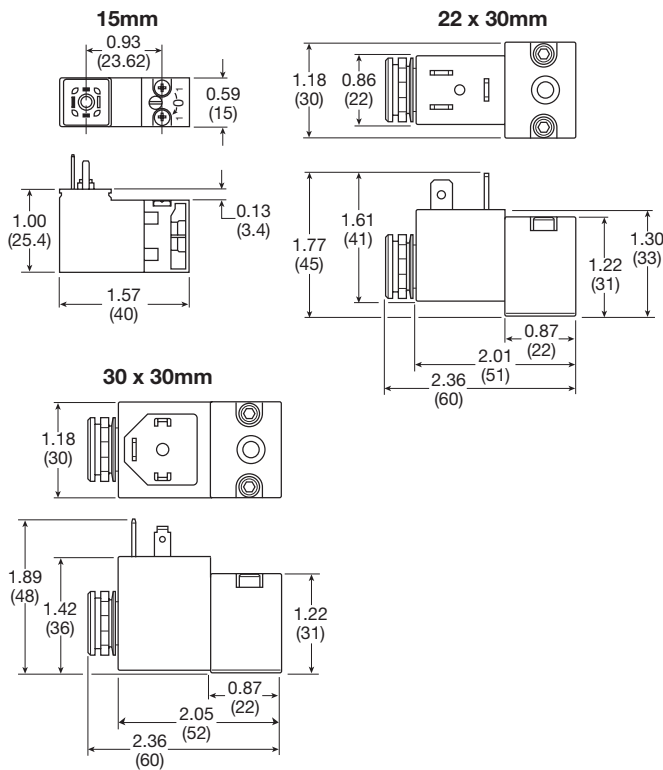
B83

Parker Hannifin Corporation
Pneumatic Division
Richland, Michigan
www.parker.com/pneumatics

Solenoid Connectors / Cable Plugs EN175301-803

| | Description | Part number 22mm Form B Industrial | Part number 30mm Form A DIN 43650A |
|---|---|--|--|
|  | With standard screw | PS2429BP | PS2028BP |
| | With LED and protection 24VAC/DC | PS243079BP | PS203279BP |
| | With LED and protection 110VAC | PS243083BP | PS203283BP |
|  | With cable | PS2429JBP | PS2028JCP |
| | 24VAC/DC, 2m cable LED and protection IP65 | PS2430J79BP | PS2032J79CP |
| | 110VAC/DC, 2m cable LED and protection IP65 | PS2430J83BP | PS2032J83CP |

Solenoid coil dimensions inches (mm)



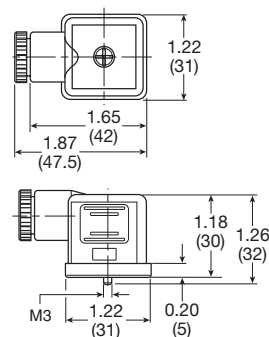
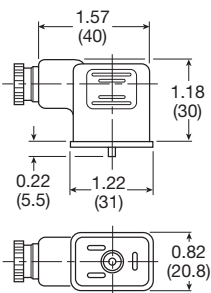
Electrical schematics



| | | |
|------------------|--------------------|--------------------|
| PS2028BP | PS243079BP | PS203279BP |
| PS2028JBP | PS2430J79BP | PS2032J79CP |
| PS2429BP | PS243083BP | PS203283BP |
| PS2429JBP | PS2430J83BP | PS2032J83CP |
| PS2932BP | PS294679BP | PS294683BP |
| PS2932JBP | PS2946J79BP | PS2946J83BP |

Cable plug dimensions inches (mm)

| | | | |
|---|-----------------|--|-----------------|
| 22mm Form B Industrial Cable plugs | PS2429BP | 30mm DIN 43650A Cable plugs | PS2028BP |
|---|-----------------|--|-----------------|



Most popular.



For inventory, lead times, and kit lookup, visit www.pdnplu.com



Air Preparation Products
P3Y Series

| | |
|---------------------------------|---------|
| Introduction | C3 |
| Particulate Filters | C4-C5 |
| Coalescing Filters | C6-C7 |
| Regulators | C8-C11 |
| Proportional Pressure Regulator | C12-C13 |
| Filter / Regulators | C14-C15 |
| Lubricators | C16-C17 |
| Combinations | C18-C19 |
| Soft Start / Dump Valves | C20-C22 |
| Accessories | C23-C27 |

C

P3Y Products



For inventory, lead times, and kit lookup, visit www.pdnplu.com

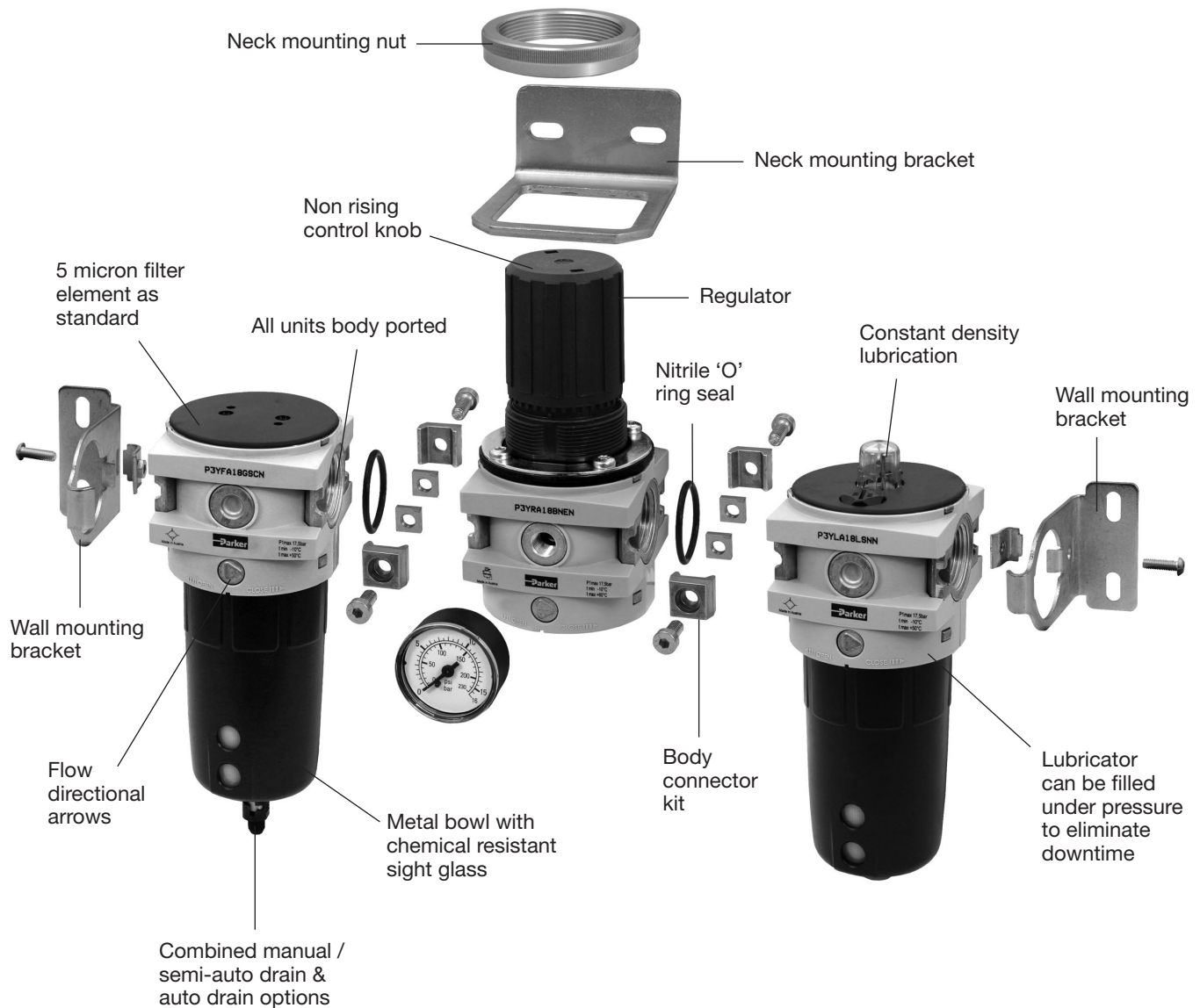
P3Y System

The P3Y system allows units to be connected together without the use of pipe connectors. This saves space, provides constant mounting centers, and maintains a modern aesthetically pleasing appearance.

The P3Y filters are specially designed to efficiently filter out rust, dirt, moisture and other impurities from compressed air lines. Operation is fully automatic with a minimum of pressure drop. Coalescing filters and adsorber filters for high purity air are also included in the P3Y series.

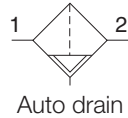
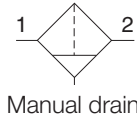
The P3Y regulators are designed to provide quick response and accurate pressure regulation for the most demanding hi-flow industrial applications.

The rolling diaphragm was designed for long trouble-free operation and will not rupture or tear under high cycle or demanding applications. The P3Y mist lubricators are designed to provide lubrication for many general purpose applications.



P3Y Particulate Filter

- Integral 3/4" or 1" ports (NPT & BSPP)
- High efficiency particulate element as standard
- Excellent water removal efficiency
- Robust but lightweight aluminium construction
- Low temperature -40°C (-40°F) with combined manual / semi-auto drain as standard



| Port Size | Description | Part Number |
|-----------|----------------------------------|--------------------|
| 3/4" | Combined Manual /Semi-Auto Drain | P3YFA96ESCN |
| 3/4" | Auto Drain | P3YFA96ESAN |
| 1" | Combined Manual /Semi Auto Drain | P3YFA98ESCN |
| 1" | Auto Drain | P3YFA98ESAN |

Operating information

| | |
|---------------------------|--|
| Supply pressure (max)*: | 254 psig (17.5 bar) |
| Operating temperature: | |
| Auto drain | 14°F to 140°F (-10°C to 60°C) |
| Combined drain | -40°F to 140°F (-40°C to 60°C) |
| Standard filtration | 5 micron |
| Manual / semi-auto drain: | Closed at 11.6 psig (0.8 bar) G1/8 thread male |
| Auto drain bowl pressure: | Closed at 11.6 psig (0.8 bar) |
| Bowl capacity: | 4.4 US oz. (130 cm ³) |
| Standard filtration: | 5 micron |
| Flow capacity†: | 3/4" 170 scfm (80.2 dm ³ /s, ANR) 1" 170 scfm (80.2 dm ³ /s, ANR) |
| Fluid: | Compressed air |
| Weight: | 1.98 lb (0.9 kg) |

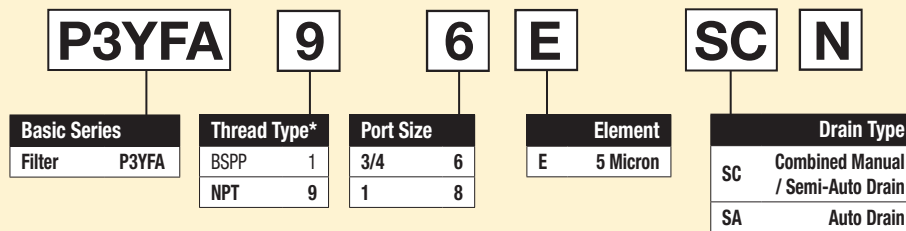
† Inlet pressure 91.4 psig (6.3 bar) inlet pressure and 7.3 psig (0.5 bar) pressure drop.

* Air supply must be dry enough to avoid ice formation at temperatures below 35.6°F (2°C).

Air quality:

Within ISO 8573-1: 1991 Class 3 and 5 (Particulates)
 Within ISO 8573-1: 2001 Class 6 and 7 (Particulates)

Ordering Information:



* Note: For 1-1/2" ported unit, please order P3YKA*BCP port block kit separately.

Most popular.



For inventory, lead times, and kit lookup, visit www.pdnplu.com

Material specifications

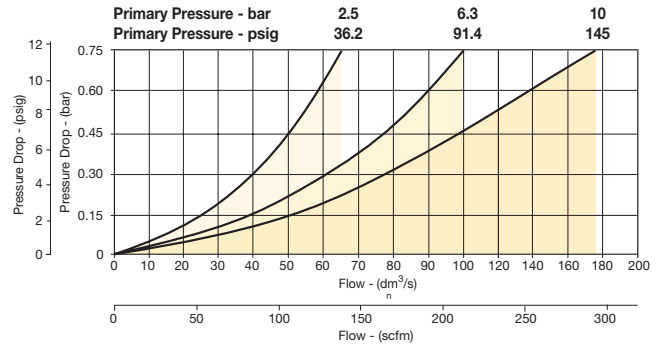
| | |
|--------------------------|------------------------------|
| Body | Aluminium |
| Sight glass and bowl | Polypropylene |
| Body cover | ABS |
| Element | Sintered P.E. |
| Seals | Nitrile NBR |
| Manual / semi-auto drain | Acetal |
| Automatic drain | PA / Ø 10mm brass connection |

Repair and Service Kits

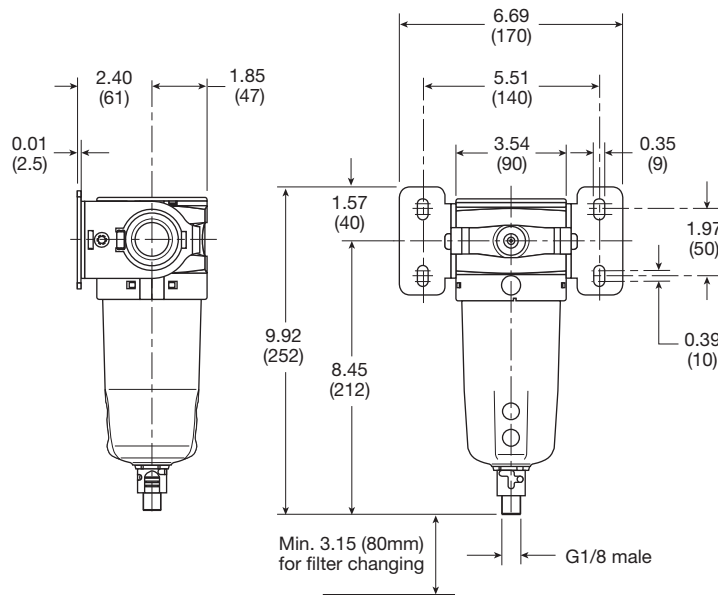
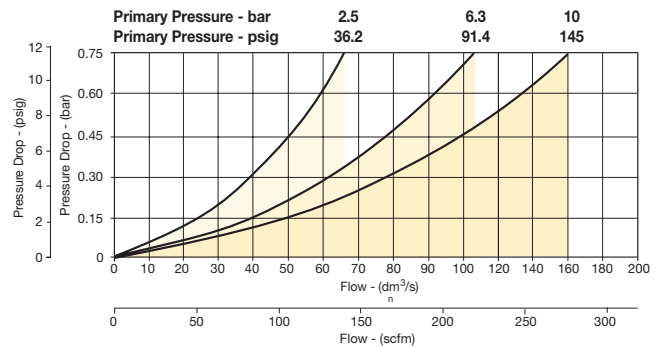
| | |
|---|-------------------|
| 5 micron element kit | P3YKA00ESE |
| 40 micron element kit | P3YKA00ESG |
| Bowl kit with combined manual / semi auto drain | P3YKA00BSC |
| Bowl kit with auto drain | P3YKA00BSA |

Flow characteristics

(3/4") Filter



(1") Filter



Inches (mm)

C

P3Y Products

Filters

Coalescers

Regulators

Filter / Regulators

Lubricators

Combinations

Accessories and Kits



For inventory, lead times, and kit lookup, visit www.pdnplu.com

P3Y Coalescing Filter

- Extended high efficiency filter element provides greater filtration surface area.
- Integral 3/4" or 1" ports (BSPP & NPT)
- Removes liquid aerosols and sub micron particles
- Oil free air for critical applications, such as air gauging, pneumatic instrumentation and control
- Adsorber activated carbon element removes oil vapors and most hydrocarbons
- Robust but lightweight aluminum construction

Notes: To optimize the life of the coalescing element, it is advisable to install a P3YFA pre-filter with a 5 micron element upstream of the coalescing filter.

To optimize the life of the adsorber element, it is advisable to install a P3Y coalescing 0.01 micron filter upstream of the adsorber filter.



Operating information

| | |
|-----------------------------|--|
| Supply pressure (max)*: | 254 psig (17.5 bar) |
| Operating temperature: | 14°F to 140°F (-10°C to 60°C) |
| Manual / auto drain: | Closed at 11.6 psig (0.8 bar) G1/8 thread male |
| Media specifications: | |
| Adsorber, max oil carryover | 0.008 mg/m ³ (PPM w/w) |
| Bowl capacity: | 4.4 US oz. (130 cm ³) |
| Standard filtration: | 0.01 micron |
| Flow capacity†: | 3/4" 275 scfm (176.9 dm ³ /s, ANR) 1" 307 scfm (144.8 dm ³ /s, ANR) |
| Fluid: | Compressed air |
| Weight: | 3.5 lb (1.6 kg) |

† Inlet pressure 91.4 psig (6.3 bar) inlet pressure and 7.3 psig (0.5 bar) pressure.

* Air supply must be dry enough to avoid ice formation at temperatures below 35.6°F (2°C).

| Port Size | Description | Part Number |
|-----------|--|--------------------|
| 3/4" | Coalescing Filter 0.01 Micron, Combined Manual / Semi-Auto Drain | P3YFA96DSCN |
| 3/4" | Coalescing Filter 0.01 Micron, Auto Drain | P3YFA96DSAN |
| 1" | Coalescing Filter 0.01 Micron, Combined Manual / Semi-Auto Drain | P3YFA98DSCN |
| 1" | Coalescing Filter 0.01 Micron, Auto Drain | P3YFA98DSAN |

Ordering Information:

| P3YFA | 9 | 6 | D | SC | N | | | | | | | | | | | | | | | | | | | | | | | | | | | | |
|--|---------------------------------------|----------|-------------------|-----------|---|--------------|--|------|---|-----|---|---|-----------|--|-----|---|---|---|--|---------|--|---|---------------------------------------|---|----------|---|------------|--|----|-----------------------------------|----|------------|--|
| <table border="1"> <tr><th colspan="2">Basic Series</th></tr> <tr><td>Coalescing Filter</td><td>P3YFA</td></tr> </table> | Basic Series | | Coalescing Filter | P3YFA | <table border="1"> <tr><th colspan="2">Thread Type*</th></tr> <tr><td>BSPP</td><td>1</td></tr> <tr><td>NPT</td><td>9</td></tr> </table> | Thread Type* | | BSPP | 1 | NPT | 9 | <table border="1"> <tr><th colspan="2">Port Size</th></tr> <tr><td>3/4</td><td>6</td></tr> <tr><td>1</td><td>8</td></tr> </table> | Port Size | | 3/4 | 6 | 1 | 8 | <table border="1"> <tr><th colspan="2">Element</th></tr> <tr><td>D</td><td>0.01 Micron Element with DPI Standard</td></tr> <tr><td>A</td><td>Adsorber</td></tr> </table> | Element | | D | 0.01 Micron Element with DPI Standard | A | Adsorber | <table border="1"> <tr><th colspan="2">Drain Type</th></tr> <tr><td>SC</td><td>Combined Manual / Semi Auto Drain</td></tr> <tr><td>SA</td><td>Auto Drain</td></tr> </table> | Drain Type | | SC | Combined Manual / Semi Auto Drain | SA | Auto Drain | |
| Basic Series | | | | | | | | | | | | | | | | | | | | | | | | | | | | | | | | | |
| Coalescing Filter | P3YFA | | | | | | | | | | | | | | | | | | | | | | | | | | | | | | | | |
| Thread Type* | | | | | | | | | | | | | | | | | | | | | | | | | | | | | | | | | |
| BSPP | 1 | | | | | | | | | | | | | | | | | | | | | | | | | | | | | | | | |
| NPT | 9 | | | | | | | | | | | | | | | | | | | | | | | | | | | | | | | | |
| Port Size | | | | | | | | | | | | | | | | | | | | | | | | | | | | | | | | | |
| 3/4 | 6 | | | | | | | | | | | | | | | | | | | | | | | | | | | | | | | | |
| 1 | 8 | | | | | | | | | | | | | | | | | | | | | | | | | | | | | | | | |
| Element | | | | | | | | | | | | | | | | | | | | | | | | | | | | | | | | | |
| D | 0.01 Micron Element with DPI Standard | | | | | | | | | | | | | | | | | | | | | | | | | | | | | | | | |
| A | Adsorber | | | | | | | | | | | | | | | | | | | | | | | | | | | | | | | | |
| Drain Type | | | | | | | | | | | | | | | | | | | | | | | | | | | | | | | | | |
| SC | Combined Manual / Semi Auto Drain | | | | | | | | | | | | | | | | | | | | | | | | | | | | | | | | |
| SA | Auto Drain | | | | | | | | | | | | | | | | | | | | | | | | | | | | | | | | |
| <p>* Note: For 1-1/2" ported unit, please order P3YKA*BCP port block kit separately.</p> | | | | | | | | | | | | | | | | | | | | | | | | | | | | | | | | | |

Most popular.



For inventory, lead times, and kit lookup, visit www.pdnplu.com

Coalescing Filter

Material specifications

| | |
|---|------------------------------|
| Body | Aluminium |
| Sight glass and bowl | Polypropylene |
| Filter cover | ABS |
| Coalescing element | Borosilicate & nano fibers |
| Top & bottom end cap (coalescing) | Aluminium |
| Adsorber element | Activated carbon |
| Top & bottom end cap (adsorber) | Glass filled nylon |
| Support cylinders | Grade 430 stainless steel |
| Support media | Polypropylene |
| Anti re-entrainment barrier | Polyester |
| Encapsulation | Epoxy resin / hardener |
| Seals | Nitrile NBR |
| Manual / semi-auto drain | Acetal |
| Auto drain | PA / Ø 10mm brass connection |
| Differential pressure indicator, body | Acetal |
| Differential pressure indicator, internal parts | Acetal |
| Differential pressure indicator, spring | Stainless steel |
| Differential pressure indicator, seals | Nitrile NBR |
| Differential pressure indicator, support plate | ABS |
| Differential pressure indicator, screws | Steel / zinc plated |

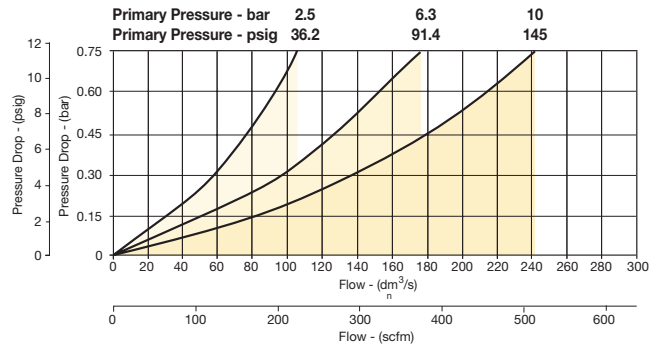
Repair and Service Kits

| | |
|---|-------------------|
| 0.01 micron element kit | P3YKA00ESC |
| Adsorber element kit | P3YKA00ESA |
| Bowl kit with combined manual / semi auto drain | P3YKA00BSC |
| Bowl kit with auto drain | P3YKA00BSA |
| Differential pressure indicator kit | P3YKA00RQ |

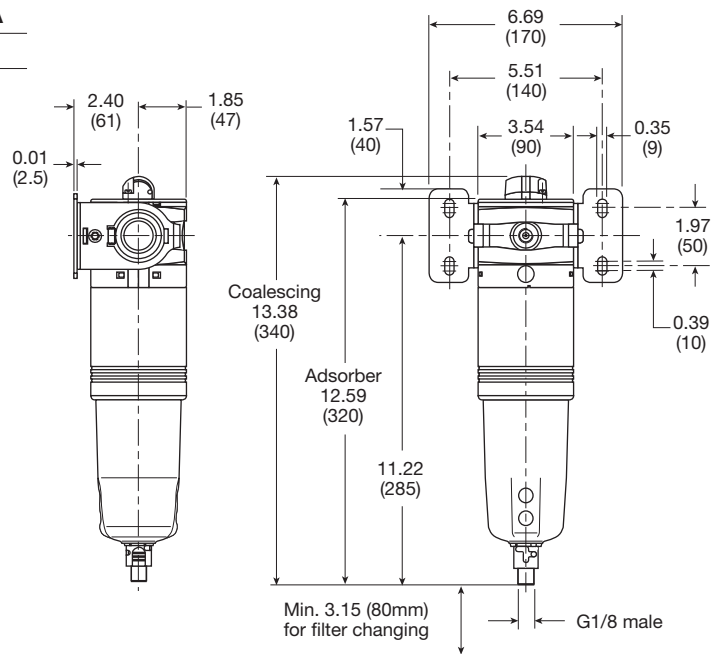
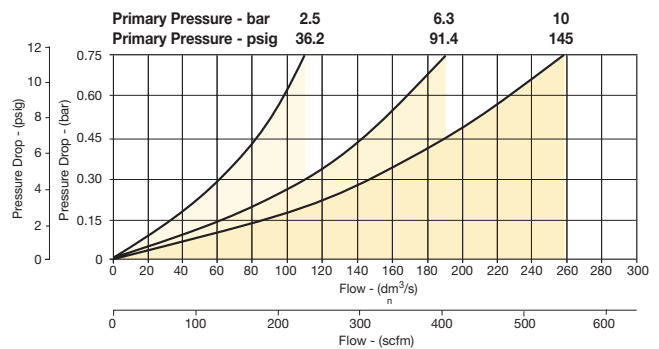
Air Preparation Products P3Y Series

Flow characteristics

(3/4") 0.01 Micron Coalescing Filter Saturated



(1") 0.01 Micron Coalescing Filter Saturated



Inches (mm)

C

P3Y Products

Filters

Coalescers

Regulators

Filter / Regulators

Lubricators

Combinations

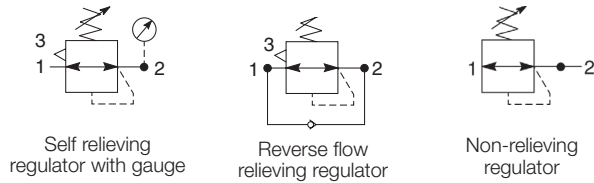
Accessories and Kits



For inventory, lead times, and kit lookup, visit www.pdnplu.com

P3Y Regulators

- Integral 3/4" or 1" ports (BSPP and NPT)
- Robust but lightweight aluminium construction
- Secondary pressure ranges 12 and 16 bar
- Rolling diaphragm for extended life
- Secondary aspiration plus rolling diaphragm provides quick response and accurate pressure regulation
- Optional tamperproof regulator padlock
- Reverse flow / relieving option
- Low temperature -40°C (-40°F)



Operating information

| | |
|-------------------------|--|
| Supply pressure (max)*: | 254 psig (17.5 bar) |
| Operating temperature: | -40°F to 140°F (-40°C to 60°C) |
| Flow capacity†: | 3/4" 380 scfm (179.3 dm³/s, ANR) 1" 550 scfm (259.6 dm³/s, ANR) |
| Fluid: | Compressed air |
| Gauge port (x2): | 1/4" |
| Weight: | 2.4 lb (1.08 kg) |

† Inlet pressure 145 psig (10 bar) inlet pressure, 91.4 psig (6.3 bar) set pressure and 7.3 psig (0.5 bar) pressure drop.

* Air supply must be dry enough to avoid ice formation at temperatures below 35.6°F (2°C).

| Port Size | Description | Part Number |
|-----------|-------------------------------------|--------------------|
| 3/4" | 174 psig Relieving | P3YRA96BNEN |
| 3/4" | 174 psig Relieving + Pressure Gauge | P3YRA96BNFN |
| 1" | 174 psig Relieving | P3YRA98BNEN |
| 1" | 174 psig Relieving + Pressure Gauge | P3YRA98BNFN |

Ordering Information

| | | | | | | |
|---------------------|---------------------|------------------|---|---------------------------|--|----------|
| P3YRA | 9 | 6 | B | N | E | N |
| Basic Series | Thread Type* | Port Size | Relief | Lockable | Adjustment Range | |
| Regulator P3YRA | BSPP 1 NPT 9 | 3/4 6 1 8 | B Relieving R Reverse Flow / Relieving | N Standard A† Lockable | E 0 to 174 psi (0 to 12 bar), No Gauge H 0 to 232 psi (0 to 16 bar), No Gauge F 0 to 174 psi (0 to 12 bar), Gauge J 0 to 232 psi (0 to 16 bar), Gauge | |

Notes:

* For 1-1/2" ported unit, please order P3YKA*B*CP port block kit separately.
 † Not field convertible.

Most popular.



For inventory, lead times, and kit lookup, visit www.pdnplu.com

C
 P3Y Products
 Filters
 Coalescers
 Regulators
 Filter / Regulators
 Lubricators
 Combinations
 Accessories and Kits

Regulators

Material specifications

| | |
|-----------------|------------------------|
| Body | Aluminium |
| Bonnet | Glass filled polyamide |
| Regulator cover | ABS |
| Control knob | Glass filled polyamide |
| Valve | Brass / NBR |
| Seals | Nitrile NBR |
| Screws | Steel / zinc plated |

Repair and Service Kits

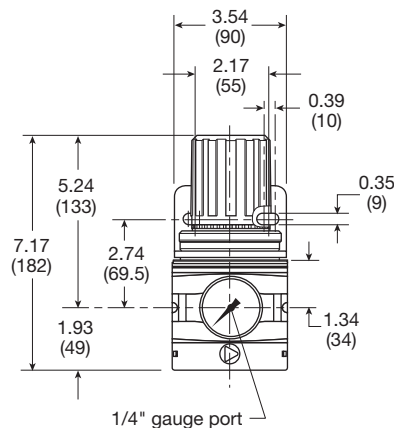
| | |
|--|--------------------|
| Angle bracket + metal lock ring | P3YKA00MS |
| Panel mounting nut | P3YKA00MM |
| Diaphragm kit (relieving type) | P3YKA00RR |
| Diaphragm kit (non-relieving type) | P3YKA00RN |
| 0 to 160 psig (0 to 10 bar), gauge 1/4" port | K4520N14160 |
| 0 to 300 psig (0 to 20 bar), gauge 1/4" port | K4520N14300 |

WARNING

Product rupture can cause serious injury. Do not connect regulator to bottled gas. Do not exceed Maximum primary pressure rating.

CAUTION:

REGULATOR PRESSURE ADJUSTMENT – The working range of knob adjustment is designed to permit outlet pressures within their full range. Pressure adjustment beyond this range is also possible because the knob is not a limiting device. This is a common characteristic of most industrial regulators, and limiting devices may be obtained only by special design. For best performance, regulated pressure should always be set by increasing the pressure up to the desired setting.



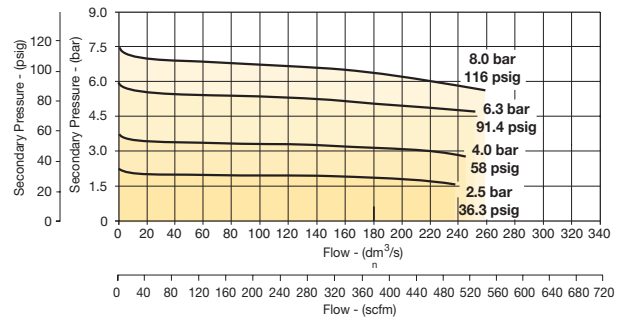
Inches (mm)

Air Preparation Products

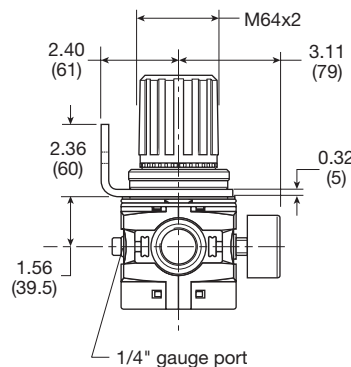
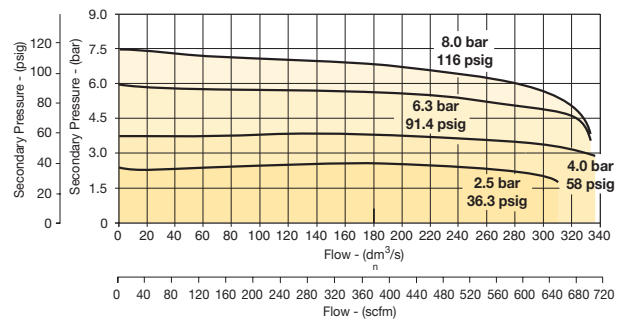
P3Y Series

Flow characteristics

(3/4") Regulator



(1") Regulator



C

P3Y Products

Filters

Coalescers

Regulators

Filter / Regulators

Lubricators

Combinations

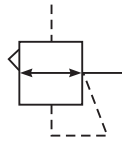
Accessories and Kits



For inventory, lead times, and kit lookup, visit www.pdnplu.com

P3Y Pilot Operated Regulator

- Integral 3/4" or 1" ports (BSPP & NPT)
- Pilot controlled regulators can be mounted "out of reach" with pilot regulator installed in a convenient location
- Constant pilot bleed control for accurate pressure control
- Balanced poppet provides quick response
- High flow



| Port Size | Description | Part Number |
|-----------|--------------------------|--------------------|
| 3/4" | Pilot operated regulator | P3YRA96BPPN |
| 1" | Pilot operated regulator | P3YRA98BPPN |

Operating information

| | |
|---|--|
| Supply pressure (max): | 254 psig (17.5 bar) |
| Operating temperature: | -40°F to 140°F (-40°C to 60°C) |
| Flow capacity†: | 3/4" 550 scfm (259.6 dm ³ /s, ANR) 1" 550 scfm (259.6 dm ³ /s, ANR) |
| Fluid: | Compressed air |
| Weight: | 2.6 lb (1.2 kg) |
| † Inlet pressure 145 psig (10 bar) inlet pressure, 91.4 psig (6.3 bar) set pressure and 7.3 psig (0.5 bar) pressure drop. | |

Ordering Information

P3YRA
|
9
|
6
|
BPPN

| Basic Series | Thread Type* | Port Size |
|--------------------------|--------------|-----------|
| Pilot Operated Regulator | BSPP | 3/4 |
| P3YRA | 1 | 6 |
| | NPT | 9 |
| | | 1 |
| | | 8 |

* Note: For 1-1/2" ported unit, please order P3YKA*BCP port block kit separately.

 Most popular.



For inventory, lead times, and kit lookup, visit www.pdnplu.com

- C
- P3Y Products
- Filters
- Coalescers
- Regulators
- Filter / Regulators
- Lubricators
- Combinations
- Accessories and Kits

Pilot Operated Regulators

Air Preparation Products P3Y Series

Material specifications

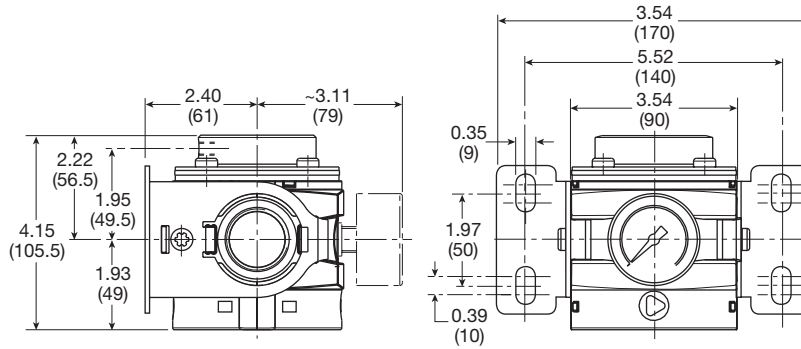
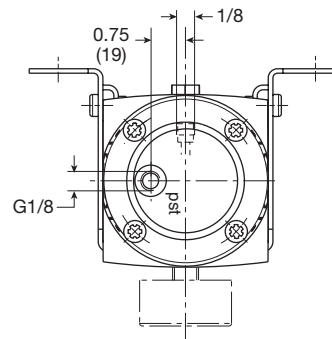
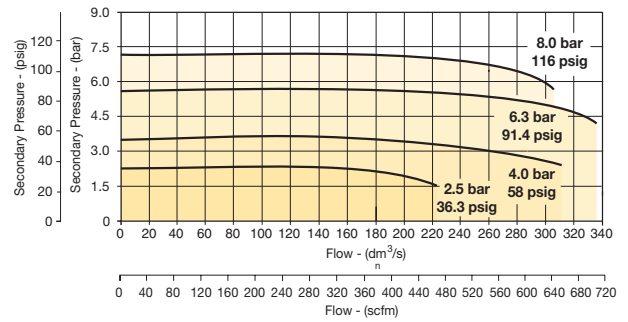
| | |
|---------------------|-----------------------|
| Body | Aluminium |
| Body cover | ABS |
| Valve | Brass / NBR composite |
| Pilot valve booster | Aluminium |
| Seals | Nitrile NBR |
| Screws | Zinc plated steel |

WARNING

Product rupture can cause serious injury.
Do not connect regulator to bottled gas.
Do not exceed Maximum primary pressure rating.

Flow characteristics

3/4" and 1" Pilot Regulator



Inches (mm)

C

P3Y Products

Filters

Coalescers

Regulators

Filter /
Regulators

Lubricators

Combinations

Accessories
and Kits



P3Y Proportional Pressure Regulator

- Integral 3/4" or 1" ports (BSPP & NPT)
- Accurate output pressure
- Very fast response times
- Robust but lightweight design



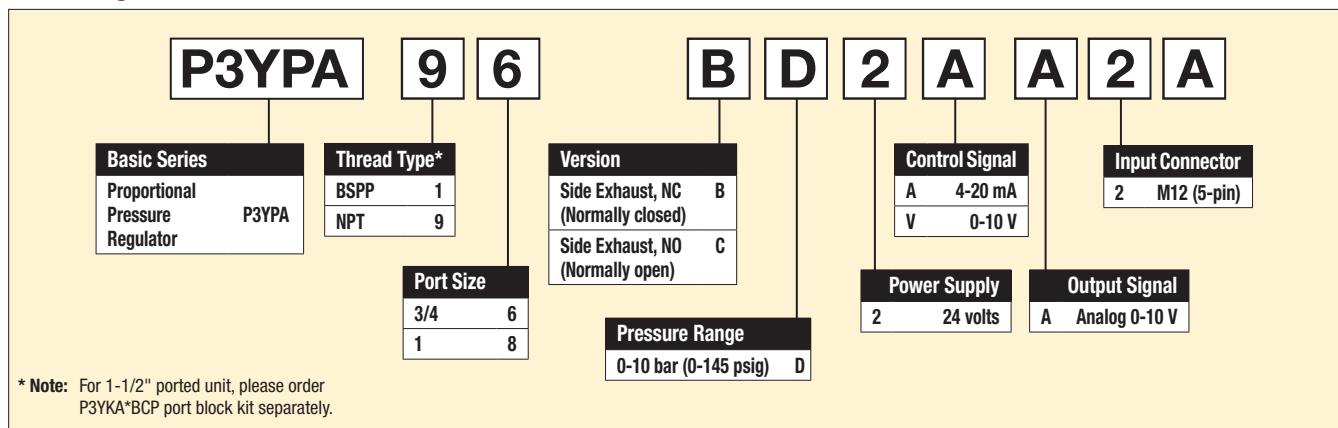
| Port Size | Description | Part Number |
|-----------|--|-----------------------|
| 3/4" | Normally Closed, 0 - 10 bar (0 to 145 psig) | P3YPA96BD2VA2A |
| 1" | Normally Closed, 0 - 10 bar (0 to 145 psig) | P3YPA98BD2VA2A |

Operating information

| | | | | | |
|-------------------------------|--------------------|---|-----------------------|-------------------|-----------------------------|
| Operating pressure: | P ¹ min | 14.5 psig (1 bar) | Power consumption: | I _{Bmax} | 0.15 A |
| Inlet pressure ¹ : | P ¹ max | 232 psig (16 bar) | Set value input: | U _w | V 0-10 |
| Operating pressure: | P ² min | 2.9 psig (0.2 bar) | | I | mA 0-20 |
| Outlet pressure: | P ² max | 145 psig (10 bar) | | I _{Amax} | mA 4-20 |
| Operating temperature: | | 32°F to 122°F (0°C to 50°C) | Input resistance: | R _E | 243 K Ω |
| Flow capacity [†] : | | 706 scfm (33.2 dm ³ /s, ANR) | Actual valve output: | U _x | 0 - 10 V |
| | | l/min 20000 | Output current: | | 10 mA |
| | | m ³ /h 1200 | Degree of protection: | | IP65 to DIN 40050, EN 60529 |
| Hysteresis: | P ² max | < 1% | Fluid: | | Compressed air |
| Repeatability: | P ² max | < 0.5% | Weight: | | 1.2 lb (2.7 kg) |
| Sensitivity: | P ² max | < 0.5% | | | |
| Linearity: | P ² max | < 1% | | | |
| Nominal voltage: | | U _n V DC 24 V = ± 10% | | | |
| Residual ripple: | | 10% | | | |

1) p¹ > p² + 10% p²
 2) at p¹ - 10 bar to p² - 6.3 bar
 † Inlet pressure 91.4 psig (6.3 bar) inlet pressure and 7.3 psig (0.5 bar) pressure drop.

Ordering Information



Most popular.



For inventory, lead times, and kit lookup, visit www.pdnplu.com

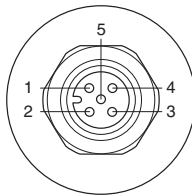
Material specifications

| | |
|---------------------|---------------------------------|
| Housing | Aluminium |
| Pilot valve booster | Brass / NBR composite aluminium |
| Standard seals | NBR |
| Body cover screws | Steel / zinc plated |

Cables

| Type | Part number |
|--|-------------------------|
| M12, 5-pin female to flying lead cable, TPE; 2m (6.6 ft) | RKC 4.5T-2/S1587 |

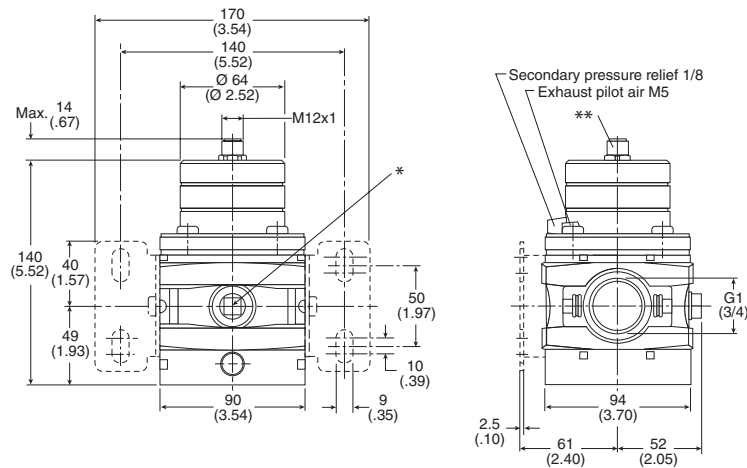
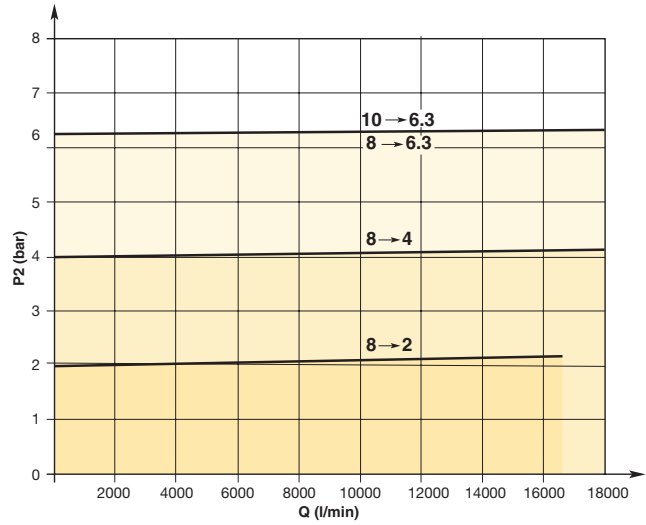
Connection diagram



Connector M12 x 1

| Pin No. | Function |
|---------|-------------------------------|
| 1 | 24 V Supply |
| 2 | 0 V Reference & mass capacity |
| 3 | 0 - 10 V Set value input |
| 4 | 0 V Signal |
| 5 | 0 - 10 V Analog output |

Flow characteristics



* Two opposite gauge ports 1/4, plug screw mounted
** Connection for 5-pin plug M12 x 1

C

P3Y Products

Filters

Coalescers

Regulators

Filter / Regulators

Lubricators

Combinations

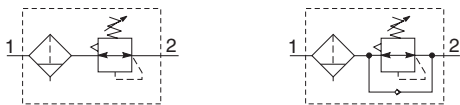
Accessories and Kits



For inventory, lead times, and kit lookup, visit www.pdnplu.com

P3Y Filter / Regulator

- Integral 3/4" or 1" ports (BSPP or NPT)
- High efficiency element as standard
- Excellent water removal efficiency
- Robust but lightweight aluminium construction
- Secondary pressure ranges 12 and 16 bar
- Rolling diaphragm for extended life
- Secondary aspiration plus balanced poppet provides quick response and accurate pressure regulation.
- Reverse flow / relieving option
- Low temperature -40°C (-40°F) with combined manual / semi-auto drain as standard



| Port Size | Description (0 To 174 Psi) | Part Number |
|-----------|---|-----------------------|
| 3/4" | Relieving, Combined Manual / Semi-Auto Drain | P3YEA96ESCBNEN |
| 3/4" | Relieving, Auto Drain | P3YEA96ESABNEN |
| 3/4" | Relieving, Gauge, Combined Manual / Semi-Auto Drain | P3YEA96ESCBNFN |
| 3/4" | Relieving, Gauge, Auto Drain | P3YEA96ESABNFN |
| 1" | Relieving, Combined Manual / Semi-Auto Drain | P3YEA98ESCBNEN |
| 1" | Relieving, Auto Drain | P3YEA98ESABNEN |
| 1" | Relieving, Gauge, Combined Manual / Semi-Auto Drain | P3YEA98ESCBNFN |
| 1" | Relieving, Gauge, Auto Drain | P3YEA98ESABNFN |

Operating information

| | |
|---------------------------|--|
| Supply pressure (max)*: | 254 psig (17.5 bar) |
| Operating temperature: | 14°F to 140°F (-10°C to 60°C) |
| Auto drain | -40°F to 140°F (-40°C to 60°C) |
| Combined drain | |
| Standard filtration: | 5 micron |
| Manual / semi-auto drain: | Closed at 11.6 psig (0.8 bar) G1/8 thread male |
| Auto drain bowl pressure: | Closed at 11.6 psig (0.8 bar) |
| Bowl capacity: | 4.4 US oz. (130 cm ³) |
| Standard filtration: | 5 micron |
| Flow capacity†: | 3/4" 335 scfm (158.1 dm ³ /s, ANR) 1" 465 scfm (219.5 dm ³ /s, ANR) |
| Fluid: | Compressed air |
| Gauge port (x2): | 1/4" |
| Weight: | 3.3 lb (1.5 kg) |

† Inlet pressure 91.4 psig (6.3 bar) inlet pressure and 7.3 psig (0.5 bar) pressure drop.

* Air supply must be dry enough to avoid ice formation at temperatures below 35.6°F (2°C).

Air quality:

Within ISO 8573-1: 1991 Class 3 and 5 (Particulates)
 Within ISO 8573-1: 2001 Class 6 and 7 (Particulates)

Ordering Information

P3YEA 9 6 E SA B N E N

| Basic Series | Thread Type* | Port Size | Drain Type | Relief | Lockable | Adjustment Range |
|--------------------------|-----------------|--------------|---|---|---------------------------|--|
| Filter / Regulator P3YEA | BSPP 1 NPT 9 | 3/4 6 1 8 | SC Combined Manual / Semi-Auto Drain SA Auto Drain | B Relieving R Reverse Flow / Relieving | N Standard A† Lockable | E 0 to 174 psi (0 to 12 bar), No Gauge H 0 to 232 psi (0 to 16 bar), No Gauge F 0 to 174 psi (0 to 12 bar), Gauge J 0 to 232 psi (0 to 16 bar), Gauge |

Element
E 5 micron

Notes:
 * For 1-1/2" ported unit, please order P3YKA*BCP port block kit separately.
 † Not field convertible.

Most popular.



For inventory, lead times, and kit lookup, visit www.pdnplu.com

Filter / Regulators

Material specifications

| | |
|--------------------------|------------------------------|
| Body | Aluminium |
| Sight glass and bowl | Polypropylene |
| Body cover | ABS |
| Element | Sintered polypropylene |
| Seals | Nitrile NBR |
| Manual / semi-auto drain | Acetal |
| Auto drain | PA / Ø 10mm brass connection |
| Bonnet | Glass filled polyamide |
| Control Knob | Glass filled polyamide |
| Valve | Brass / NBR |
| Screws | Steel / zinc plated |

Repair and Service Kits

| | |
|---|-------------------|
| 5 micron element kit | P3YKA00ESE |
| Bowl kit with combined manual/semi auto drain | P3YKA00BSC |
| Bowl kit with auto drain | P3YKA00BSA |
| Key lock kit | P3XKA00AS |
| Diaphragm kit (relieving type) | P3YKA00RR |
| Diaphragm kit (non-relieving type) | P3YKA00RN |
| Angle bracket + metal lock ring | P3YKA00MS |
| Panel mount nut | P3YKA00MM |

⚠ WARNING

**Product rupture can cause serious injury.
Do not connect regulator to bottled gas.
Do not exceed Maximum primary pressure rating.**

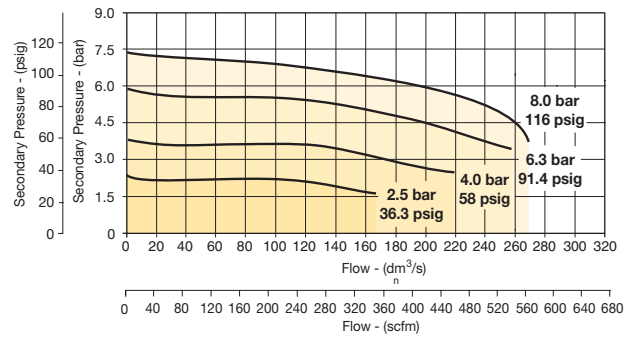
CAUTION:

REGULATOR PRESSURE ADJUSTMENT – The working range of knob adjustment is designed to permit outlet pressures within their full range. Pressure adjustment beyond this range is also possible because the knob is not a limiting device. This is a common characteristic of most industrial regulators, and limiting devices may be obtained only by special design. For best performance, regulated pressure should always be set by increasing the pressure up to the desired setting.

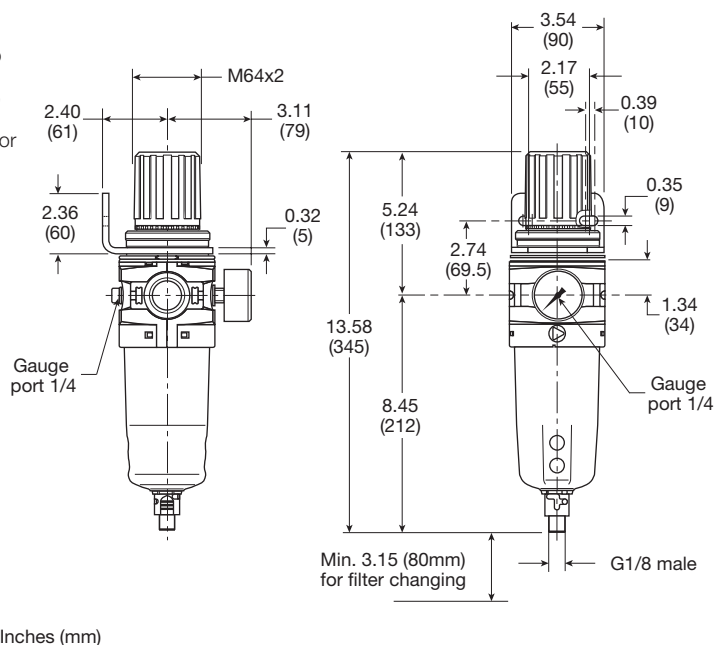
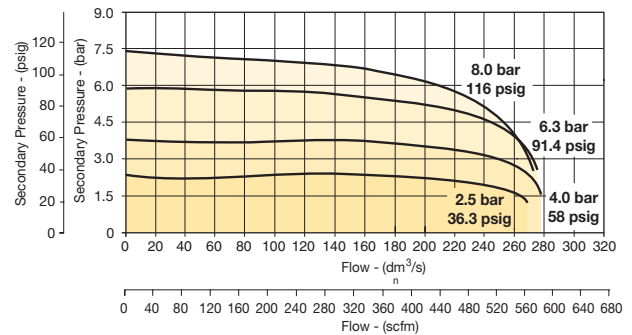
Air Preparation Products P3Y Series

Flow characteristics

(3/4") 5 Micron Filter / Regulator



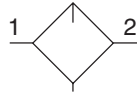
(1") 5 Micron Filter / Regulator



For inventory, lead times, and kit lookup, visit www.pdnplu.com

P3Y Lubricator

- Integral 3/4" or 1" ports (BSPP and NPT)
- Robust but lightweight aluminium construction
- Proportional oil delivery over a wide range of air flows
- Possible to fill under system pressure eliminating down time
- Large oil reservoir



Lubricator with drain

Operating information

| | |
|-------------------------|--|
| Supply pressure (max)*: | 254 psig (17.5 bar) |
| Operating temperature*: | 14°F to 140°F (-10°C to 60°C) |
| Flow capacity†: | 3/4" 315 scfm (148.2 dm³/s, ANR) 1" 390 scfm (184.1 dm³/s, ANR) |
| Fluid: | Compressed air |
| Weight: | 1.8 lb (0.8 kg) |

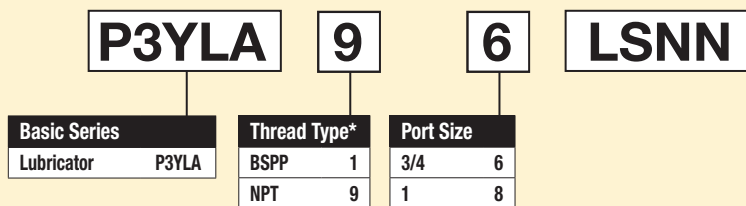
† Inlet pressure 91.4 psig (6.3 bar) inlet pressure and 7.3 psig (0.5 bar) pressure drop.

* Air supply must be dry enough to avoid ice formation at temperatures below 35.6°F (2°C).

Low flow start point (lubrication pick-up): at 6.3 bar (91.4 psig) inlet pressure 0.5 dm³/s (1.1 scfm).

| Port Size | Description | Part Number |
|-----------|-------------------------------|--------------------|
| 3/4" | Oil mist, fill under pressure | P3YLA96LSNN |
| 1" | Oil mist, fill under pressure | P3YLA98LSNN |

Ordering Information



* **Note:** For 1-1/2" ported unit, please order P3YKA*BCP port block kit separately.

Most popular.



For inventory, lead times, and kit lookup, visit www.pdnplu.com

C
 P3Y Products
 Filters
 Coalescers
 Regulators
 Filter / Regulators
 Lubricators
 Combinations
 Accessories and Kits

Material specifications

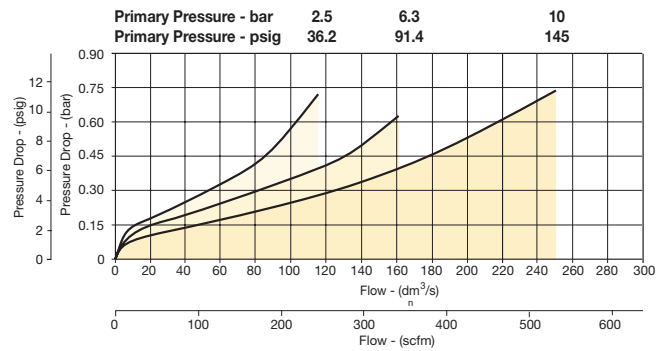
| | |
|----------------------|--------------------|
| Body | Aluminium |
| Sight glass and bowl | Polypropylene |
| Sight dome | Polyamide |
| Lubricator cover | ABS |
| Top & bottom end cap | Glass filled nylon |
| Bayonet support | Nylon |
| Seals | Nitrile NBR |

Repair and Service Kits

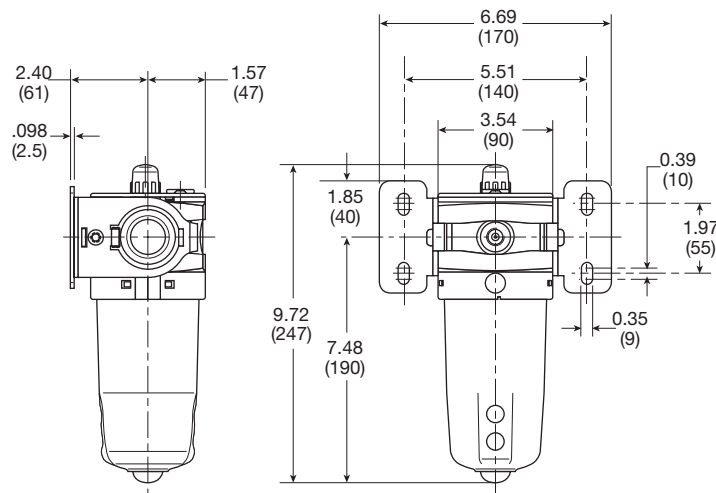
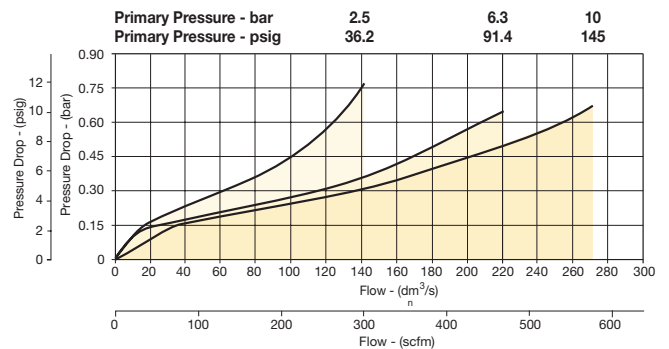
| | |
|---------------------|-------------------|
| Bowl kit | P3YKA00BSN |
| Refill plug | P3YKA00PL |
| Oil (1 quart) | F442001 |
| Oil (1 gallon) | F442002 |
| Oil (12 quart case) | F442003 |
| Oil (4 gallon case) | F442005 |

Flow characteristics

(3/4") Lubricator



(1") Lubricator



Inches (mm)

C

P3Y Products

Filters

Coalescers

Regulators

Filter /
Regulators

Lubricators

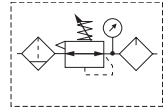
Combinations

Accessories
and Kits

P3Y Combinations



Filter + Regulator + Lubricator Combinations 5 micron element, 12 bar (174 psig) regulator + gauge and wall mounting bracket

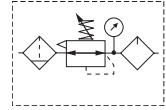


| Port Size | Flow [‡] scfm | Weight lb (kg) | Combined Manual / Semi-Auto Drain [†] | Auto Drain [†] |
|-----------|------------------------|----------------|--|-------------------------|
| 3/4" | 170 | 7.3 (3.3) | P3YCB96SECNFLNF | P3YCB96SEANFLNF |
| 1" | 170 | 7.3 (3.3) | P3YCB98SECNFLNF | P3YCB98SEANFLNF |

[†] Standard part numbers shown in bold. For other models refer to Options chart below.
[‡] Flow with 10 bar (145 psig) inlet pressure, 6.3 bar (91.4 psig) set pressure and 1 bar (14.5 psig) pressure drop.



Filter / Regulator + Lubricator Combinations 5 micron element, 12 bar (174 psig) regulator + gauge and wall mounting bracket



| Port Size | Flow [‡] scfm | Weight lb (kg) | Combined Manual / Semi-Auto Drain [†] | Auto Drain [†] |
|-----------|------------------------|----------------|--|-------------------------|
| 3/4" | 315 | 6.2 (2.8) | P3YCA96SECNFLNF | P3YCA96SEANFLNF |
| 1" | 340 | 6.2 (2.8) | P3YCA98SECNFLNF | P3YCA98SEANFLNF |

[†] Standard part numbers shown in bold. For other models refer to Options chart below.
[‡] Flow with 10 bar (145 psig) inlet pressure, 6.3 bar (91.4 psig) set pressure and 1 bar (14.5 psig) pressure drop.

Ordering Information:

| | | | | | | | | |
|---------------------------------|-------|---------------------|------------------|-------------------------------------|--------------|--------------------------------------|--------------------------------------|------------|
| P3YCA | | 9 | 6 | SE | C | N | F | LNF |
| Basic Series | | Thread Type* | Port Size | Drain Type | | Adjustment Range | | |
| Filter / Regulator + Lubricator | P3YCA | BSPP 1 | 3/4 6 | C Combined Manual / Semi-Auto Drain | A Auto Drain | F 0-12 Bar (0 to 174 psi) with Gauge | J 0-16 Bar (0 to 232 psi) with Gauge | |
| Filter + Regulator + Lubricator | P3YCB | NPT 9 | 1 8 | | | | | |

* Note: For 1-1/2" ported unit, please order P3YKA*BCP port block kit separately.

⚠ WARNING

**Product rupture can cause serious injury.
 Do not connect regulator to bottled gas.
 Do not exceed Maximum primary pressure rating.**

CAUTION:

REGULATOR PRESSURE ADJUSTMENT -

The working range of knob adjustment is designed to permit outlet pressures within their full range. Pressure adjustment beyond this range is also possible because the knob is not a limiting device. This is a common characteristic of most industrial regulators, and limiting devices may be obtained only by special design. For best performance, regulated pressure should always be set by increasing the pressure up to the desired setting.

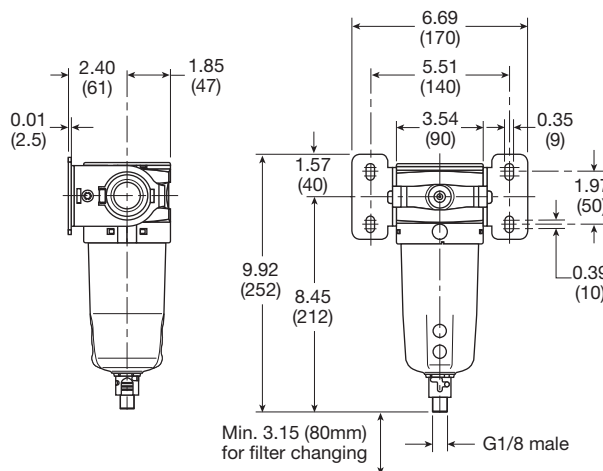
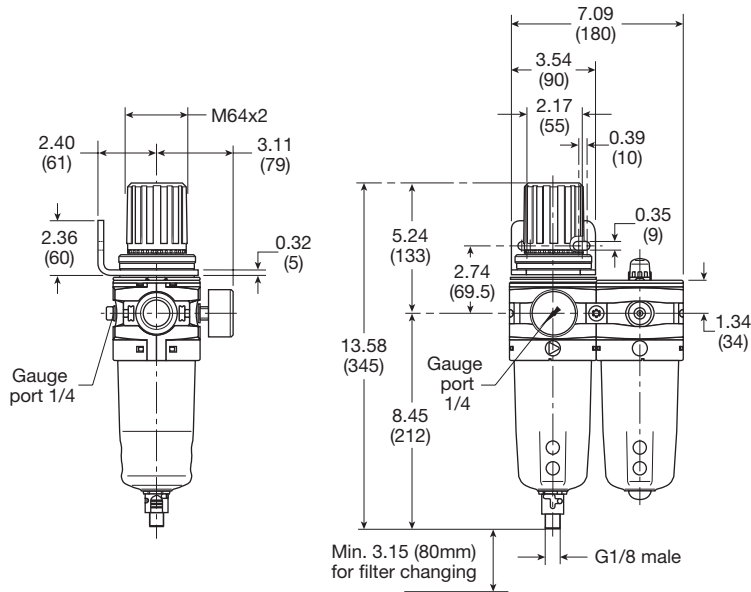
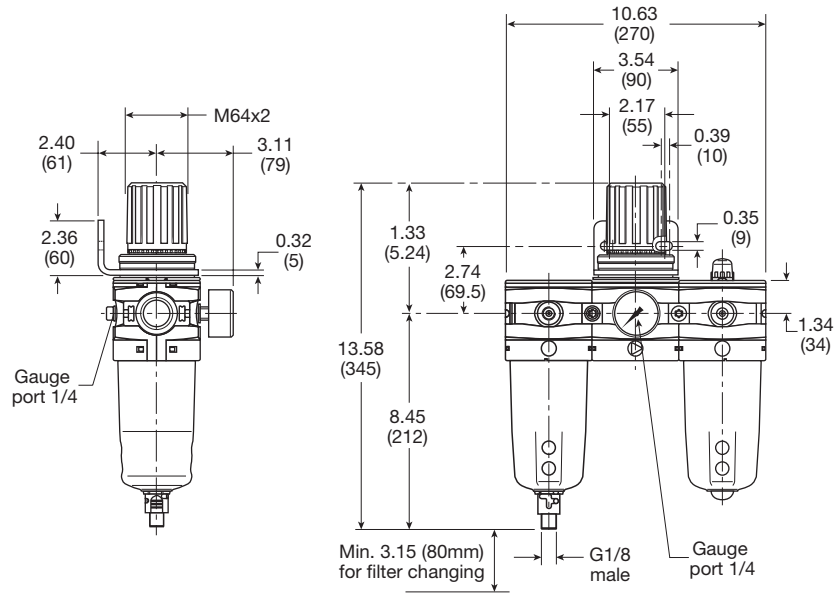
Most popular.



For inventory, lead times, and kit lookup, visit www.pdnplu.com

C
 P3Y Products
 Filters
 Coalescers
 Regulators
 Filter / Regulators
 Lubricators
 Combinations
 Accessories and Kits

P3Y Combinations



| | |
|---------------------------------|---------------------|
| C | P3Y Products |
| Filters | |
| Coalescers | |
| Regulators | |
| Filter / Regulators | |
| Lubricators | |
| Combinations | |
| Accessories and Kits | |



For inventory, lead times, and kit lookup, visit www.pdnplu.com

Soft Start / Dump Valve

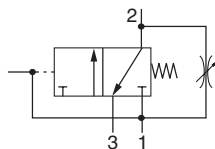
P3Y Combined Soft Start / Dump Valve

- Modular design with 3/4" & 1" integral ports (BSPP or NPT)
- Provides for the safe introduction of pressure
- Automatically dumps downstream pressure on the loss of pilot signal
- Adjustable slow start
- Solenoid or air pilot options
- High flow & exhaust capability



P3Y Series Combined Soft Start / Dump Valves, provide for the safe introduction of pressure to machines or systems. Soft Start / Dump Valves when set, allow the pressure to gradually build to the set point before fully opening to deliver full flow at line pressure.

The controlled introduction of pressure can be an important safety factor and prevent damage to tooling when air pressure is introduced at machine or system start up.



| Port Size | Description | Part Number |
|-----------|--------------------|-----------------------|
| 3/4" | Air Pilot Operated | P3YTA96PPN |
| 3/4" | 24VDC 30mm Coil | P3YTA96SCNA2CN |
| 1" | Air Pilot Operated | P3YTA98PPN |
| 1" | 24VDC 30mm Coil | P3YTA98SCNA2CN |

Operating information

| | | |
|---------------------------|--------------------|-------------------------------|
| Operating pressure (max): | 30mm coil | 232 psig (16 bar) |
| Operating pressure (min): | | 2.9 psig (0.2 bar) |
| Operating temperature*: | Solenoid operated | 14°F to 140°F (-10°C to 60°C) |
| | Air pilot operated | 14°F to 140°F (-10°C to 60°C) |
| Air pilot port: | | 1/8" |
| Exhaust port: | NPT | 3/4" |
| | BSPP | 1" |
| Gauge port: | | 1/4" |
| Flow capacity†: | 3/4" | 371 scfm (175.1 dm³/s, ANR) |
| | 1" | 424 scfm (200.1 dm³/s, ANR) |
| Fluid: | | Compressed air |
| Weight: | Air pilot | 3.1 lb (1.4 kg) |
| | 30mm coil | 3.5 lb (1.6 kg) |

† Inlet pressure 91.4 psig (6.3 bar) inlet pressure and 7.3 psig (0.5 bar) pressure drop.
* Air supply must be dry enough to avoid ice formation at temperatures below 35.6°F (2°C).
Snap pressure: Full flow when downstream pressure reaches 50% of the inlet pressure.

Ordering Information

| | | | | | | | | | | | | |
|-------------------------------|--|---------------------|----------|--|----------|------------------|---------------------------|---|----------|---|----------|----------|
| P3YTA | | 9 | 6 | P | C | N | Solenoid type only | | A | 2 | C | N |
| Basic Series | | Thread Type* | | Pilot Type | | Port Size | | Actuator Interface | | Solenoid Voltage | | |
| Soft Start / Dump Valve P3YTA | | BSPP 1 NPT 9 | | External Air Pilot P Solenoid Pilot S | | 3/4 6 1 8 | | 30mm Operator C Threaded Air Pilot P | | 2CN 24VDC | | |
| | | | | | | | | | | Solenoid Type | | |
| | | | | | | | | | | A 30mm CNOMO Coil D 30mm CNOMO Coil (M12 connection) | | |

* Note: For 1-1/2" ported unit, please order P3YKA*BCP port block kit separately.

Most popular.



For inventory, lead times, and kit lookup, visit www.pdnplu.com

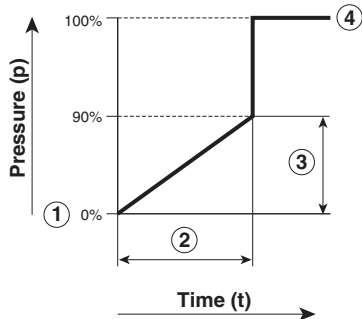
Soft Start / Dump Valve

Material specifications

| | |
|---------------------|-----------------------|
| Body | Aluminium |
| Body cover | ABS |
| Valve | Brass / NBR composite |
| Pilot valve booster | Aluminum |
| Seals | Nitrile NBR |

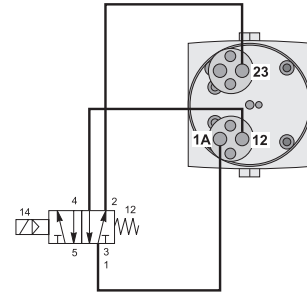
Note: For solenoid coil and cable plug options see solenoid operator pages.

Flow characteristics

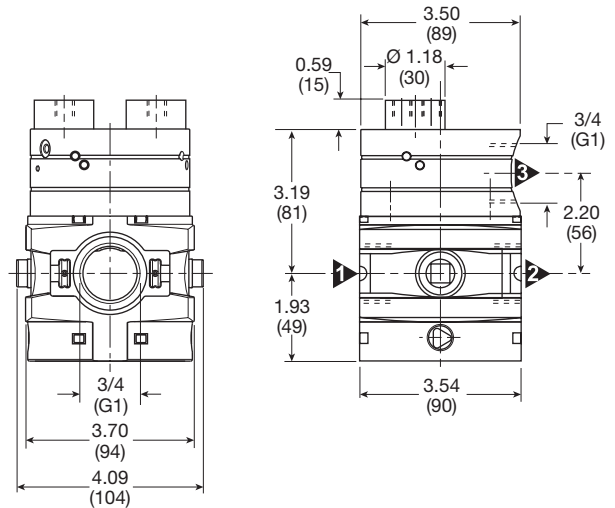
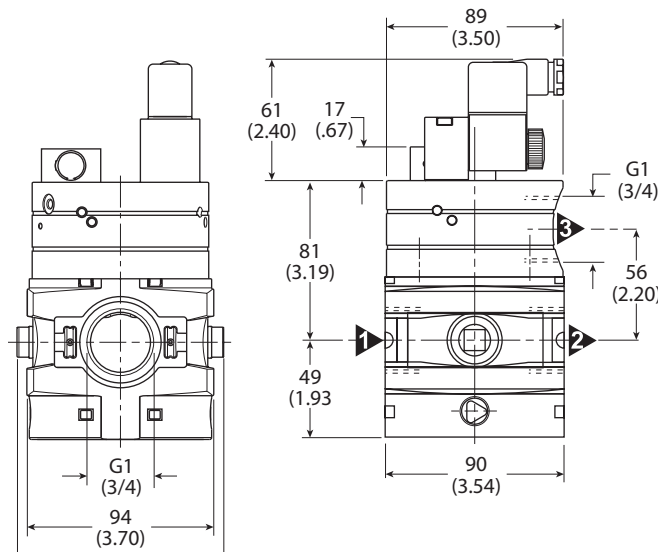
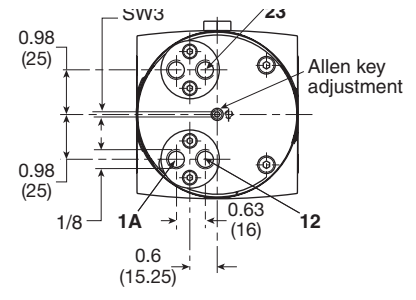
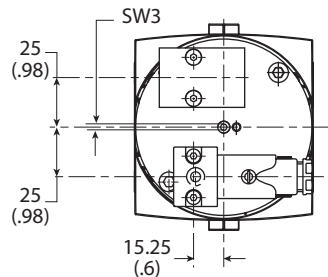
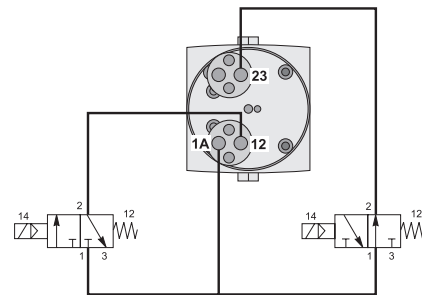


- ① Start signal
- ② Switching time delay
- ③ Gradual pressure build up
- ④ Operating pressure p² (= p¹)

Combined start / stop function



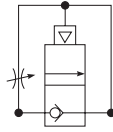
Combined start / stop function with acknowledgement



For inventory, lead times, and kit lookup, visit www.pdnplu.com

P3Y Soft Start Valve

- Integral 3/4" or 1" ports
- Smooth start-up of pneumatic system
- Air pilot operation
- Adjustable slow start
- High flow



| Port Size | Description | Part Number |
|-----------|------------------|-------------------|
| 3/4" | Soft Start Valve | P3YSA96Y0N |
| 1" | Soft Start Valve | P3YSA98Y0N |

Material specifications

| | |
|---------------------|-----------------------|
| Body | Aluminium |
| Body cover | ABS |
| Valve | Brass / NBR composite |
| Pilot valve booster | Aluminum |
| Seals | Nitrile NBR |

Operating information

| | |
|---------------------------|-------------------------------|
| Operating pressure (max): | 254 psig (17.5 bar) |
| Operating pressure (min): | 29 psig (2 bar) |
| Operating temperature*: | |
| Solenoid operated | 14°F to 140°F (-10°C to 60°C) |
| Air pilot operated | 14°F to 140°F (-10°C to 60°C) |
| Flow capacity†: | |
| 3/4" | 324 scfm (152.9 dm³/s, ANR) |
| 1" | 324 scfm (152.9 dm³/s, ANR) |

Fluid: Compressed air
 Weight: 1.8 lb (0.8 kg)

† Inlet pressure 91.4 psig (6.3 bar) inlet pressure and 7.3 psig (0.5 bar) pressure drop.

* Air supply must be dry enough to avoid ice formation at temperatures below 35.6°F (2°C).

Snap pressure: Full flow when downstream pressure reaches 50% of the inlet pressure.

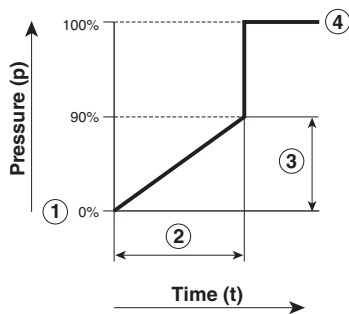
Ordering Information

P3YSA 9 6 Y 0 N

| Basic Series | | Thread Type* | | Port Size | |
|------------------|-------|--------------|---|-----------|---|
| Soft Start Valve | P3YSA | BSPP | 1 | 3/4 | 6 |
| | | NPT | 9 | 1 | 8 |

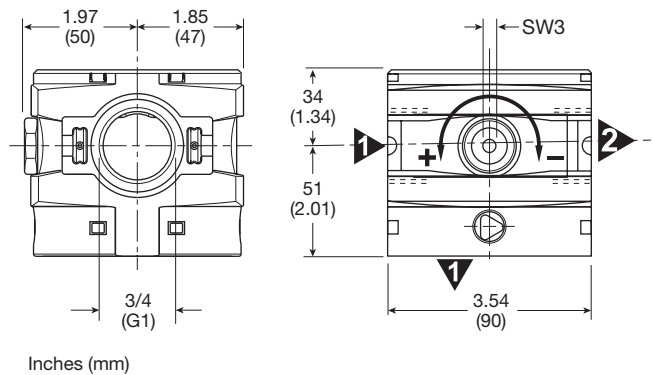
* Note: For 1-1/2" ported unit, please order P3YKA*BCP port block kit separately.

Flow characteristics



- Start signal
- Switching time delay
- Gradual pressure build up
- Operating pressure p^2 ($= p^1$)

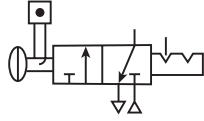
Most popular.



For inventory, lead times, and kit lookup, visit www.pdnplu.com

P3Y Modular Ball Valve

- Positive bubble tight shut-off
- 90° turn handle to prevent unauthorized adjustment
- Pad lockable (up to 6 times)
- When the inlet pressure is turned off the downstream vents through the exhaust port



Ball / Lockout Valve shuts off downstream line pressure in the closed position with a 90° turn of the handle. In the closed position, inlet air pressure is blocked and downstream / system air is exhausted through a threaded port. To prevent unauthorized adjustment, the padlock slide may be assembled on either side. It is recommended that this slide is installed after final system assembly.

The Safety Lockout valves conform to OSHA #29 CFR part 1910 – control of hazardous energy source (lockout / tagout).

Operating information

| | |
|------------------------------|---|
| Operating pressure (max): | 254 psig (17.5 bar) |
| Operating pressure (min): | 29 psig (2 bar) |
| Operating temperature: | 14°F to 140°F (-10°C to 60°C) |
| Flow capacity [†] : | 3/4" 705.6 scfm (333 dm ³ /s, ANR) |
| | 1" 705.6 scfm (333 dm ³ /s, ANR) |
| Weight: | 3/4" 2.4 lb (1.1 kg) |
| | 1" 2.4 lb (1.1 kg) |

Ordering Information

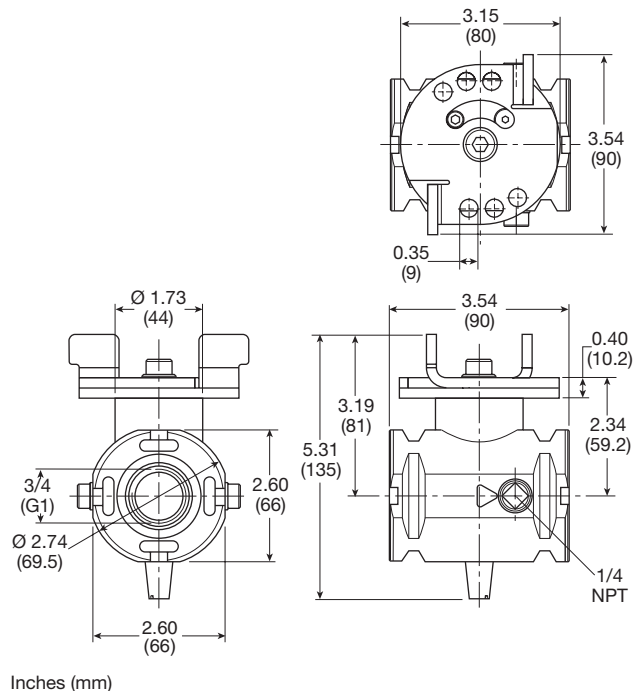
P3YVA
9
6
LBN

| Basic Series | Thread Type* | Port Size |
|--------------------------|--------------|-----------|
| Modular Ball Valve P3YVA | BSPP 1 | 3/4 6 |
| | NPT 9 | 1 8 |

* Note: For 1-1/2" ported unit, please order P3YKA*BCP port block kit separately.

Material Specifications

| | |
|------------------|-----------------------|
| Body | Aluminium |
| Valve ball | Brass / nickle plated |
| Handle | Aluminum |
| Seals | Nitrile NBR |
| Exhaust silencer | Sintered bronze |



C

P3Y Products

Filters

Coalescers

Regulators

Filter / Regulators

Lubricators

Combinations

Accessories and Kits



Modular Manifold



P3Y Series Manifolds provide up to 4 extra outlet ports. They may be assembled at any position in a combination e.g. before the lubricator to provide oil free take off or at the end of a combination to provide extra outlet ports.

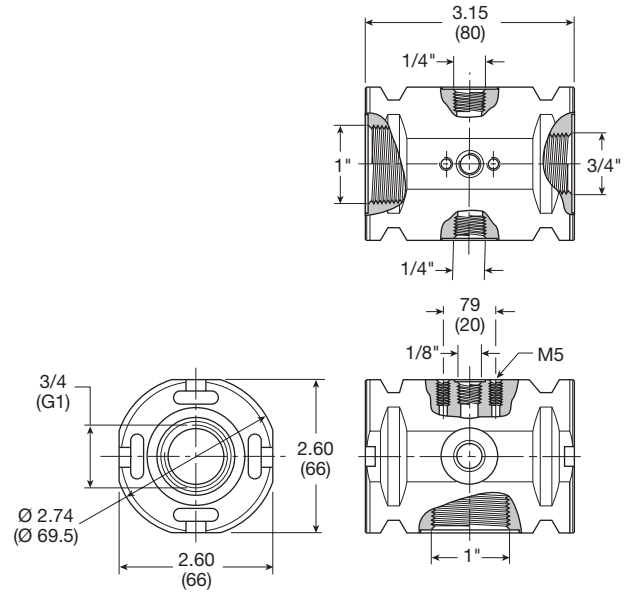
| Thread Type | Part Number |
|-------------|------------------|
| BSPP | P3YMA1V0N |
| NPT | P3YMA9V0N |

Port Sizes

| Inlet Port | Top | Bottom | Front and Back |
|------------|------|--------|----------------|
| 3/4" | 1/8" | 1" | 1/4" |
| 1" | 1/8" | 1" | 1/4" |

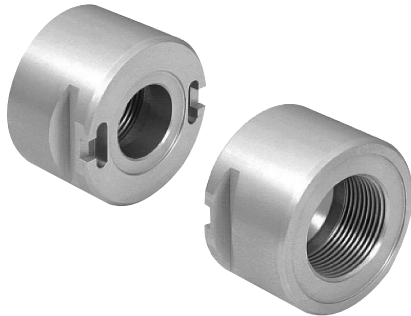
Material specifications

| | |
|--------|-----------------|
| Body | Aluminium |
| Weight | 0.7 kg (1.5 lb) |



Inches (mm)

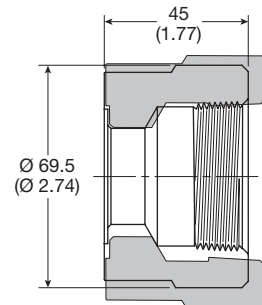
Optional Port Block Kits



- To change port sizes Port Block Kits are available, they are attached to any unit utilizing the connecting kit.
- Allows assemblies to be removed from a hard piped system.

Material specifications

| | |
|--------|-------------------|
| Body | Aluminium |
| Weight | 0.65 kg (1.43 lb) |



Inches (mm)

Ordering Information

| | | | |
|---------------------|--------------------|------------------|-----------|
| P3YKA | 9 | B | CP |
| Basic Series | Thread Type | Port Size | |
| Port Blocks P3YKA | BSPP 1 | 1-1/2 | B |
| | NPT 9 | | |

C
P3Y Products
Filters
Coalescers
Regulators
Filter / Regulators
Lubricators
Combinations
Accessories and Kits



For inventory, lead times, and kit lookup, visit www.pdnplu.com

Solenoid Operators - CNOMO

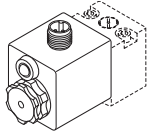
Technical data -

Solenoid operators, coil combinations

| | NC Normal Operator with 22 x 30 standard coil | NC Normal Operator with 30 x 30 standard coil |
|---------------------|---|---|
| Working pressure | 0 to 10 bar | 0 to 10 bar |
| Ambient temperature | -10°C to 60°C * | -10°C to 60°C * |
| Power (DC) | 4.8W | 2.7W |
| Power (AC) | 8.5VA | 4.9VA |
| Voltage tolerance | +/-10% | +/-10% |
| Duty cycle | 100% | 100% |
| Insulation class | F | F |
| Electric connection | B Industrial | DIN 43650A |
| Protection | IP65 | IP65 |
| Approval | | UL/CSA |
| Working media | All neutral media such as compressed air | |

* Limited to 50°C if use with 100% duty cycle

Solenoid Coils with M12 Connection



| Voltage | Part Number | Weight (Kg) |
|----------------|-----------------|-------------|
| Direct current | | |
| 24VDC | P2FC6449 | 0.065 |

Transients

Interrupting the current through the solenoid coil produces momentary voltage peaks which, under unfavorable conditions, can amount to several hundred times the rated operating voltage. Normally, these transients do not cause problems, but to achieve the Maximum life of relays in the circuit (and particularly of transistors, thyristors and integrated circuits) it is desirable to provide protection by means of voltage-dependent resistors (varistors). All connectors/cable plugs EN175301-803 with LED's include this type of circuit protection.

Materials

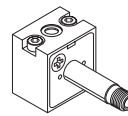
Pilot Valve

| | |
|-----------------|---------------------------------|
| Body: | Polyamide |
| Armature tube: | Brass |
| Plunger & core: | Corrosion resistant Cr-Ni steel |
| Seals: | Fluorocarbon |
| Screws: | Stainless steel |

Coil

| | |
|-------------------------|---|
| Encapsulation material: | Thermoplastic as standard Duroplast for M12 connection |
|-------------------------|---|

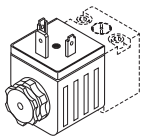
Spare Base Solenoid Pilot Operator CNOMO NC



| Description | Part Number | Weight (Kg) |
|-----------------------------|------------------|-------------|
| Non-lock Manual Override | P2FP23N4B | 0.065 |
| No Override | P2FP23N4A | 0.065 |

Note: Solenoid pilot operators are fitted to the Global range. Order the above part numbers for spares. The operators are supplied with mounting screws and interface 'O' rings. Coils and connectors must be ordered separately.

Solenoid Coils with DIN A or Industrial B Connection



| Voltage | 22mm x 30mm Part Number B Industrial Standard | Weight (Kg) | 30mm x 30mm Part Number DIN 43650A Standard | Weight (Kg) |
|----------------------|---|----------------|--|----------------|
| Direct current | | | | |
| 24VDC | P2FCB449 | 0.093 | P2FCA449 | 0.105 |
| Alternative current | | | | |
| 110V 50Hz, 120V 60Hz | P2FCB453 | 0.093 | P2FCA453 | 0.105 |

Most popular.



For inventory, lead times, and kit lookup, visit www.pdnplu.com

C25

Parker Hannifin Corporation
Pneumatic Division
Richland, Michigan
www.parker.com/pneumatics

C

P3Y Products

Filters

Coalescers

Regulators

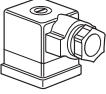
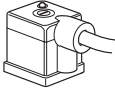
Filter /
Regulators

Lubricators

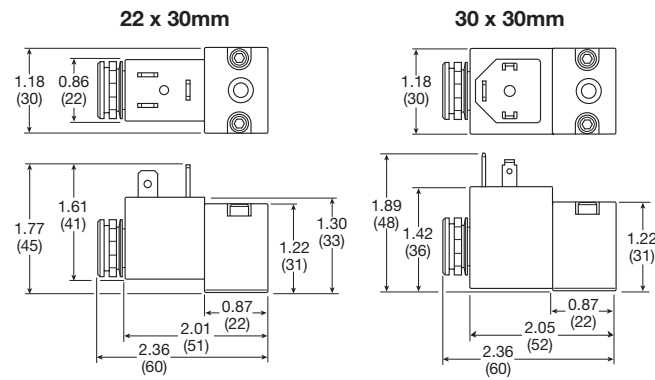
Combinations

Accessories
and Kits

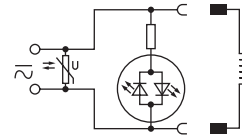
Solenoid Connectors / Cable Plugs EN175301-803

| | Description | Part Number 22mm Form B Industrial | Part Number 30mm Form A DIN 43650A |
|---|--|--|--|
|  | With Standard Screw Standard IP65 without Flying Lead | PS2429BP | PS2028BP |
| | With LED and Protection 24VAC/DC | PS243079BP | PS203279BP |
| | With LED and Protection 110VAC | PS243083BP | PS203283BP |
|  | With Cable Standard with 2m cable IP65 | PS2429JBP | PS2028JCP |
| | 24VAC/DC, 2m cable LED and protection IP65 | PS2430J79BP | PS2032J79CP |
| | 110VAC/DC, 2m cable LED and protection IP65 | PS2430J83BP | PS2032J83CP |

Solenoid coil dimensions mm (inches)



Electrical schematics

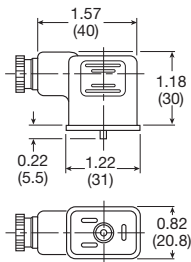


| | |
|--------------------|--------------------|
| PS243079BP | PS203279BP |
| PS2430J79BP | PS2032J79CP |
| PS243083BP | PS203283BP |
| PS2430J83BP | PS2032J83CP |
| PS294679BP | PS294683BP |
| PS2946J79BP | PS2946J83BP |

Cable plug dimensions mm (inches)

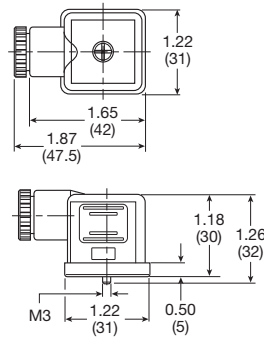
22mm Form B industrial cable plugs

PS2429BP



30mm DIN 43650A cable plugs

PS2028BP










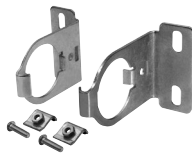
Most popular.



For inventory, lead times, and kit lookup, visit www.pdnplu.com

P3Y Products
 Filters
 Coalescers
 Regulators
 Filter / Regulators
 Lubricators
 Combinations
 Accessories and Kits

Accessories

| Description | Connection | Weight lb (kg) | Part Number | | |
|---|--------------------------------|-------------------|-------------------|---|---|
| 0.01 micron element kit | | | P3YKA00ESC | | |
| 5 micron element kit | | | P3YKA00ESE | | |
| Adsorber element kit | | | P3YKA00ESA | | |
| Angle bracket + metal lock ring | | | P3YKA00MS | | |
| Bowl kit with combined manual / semi-auto drain | | | P3YKA00BSC | | |
| Bowl kit with auto drain | | | P3YKA00BSA | | |
| Bowl kit | | | P3YKA00BSN | | |
| Connector o-ring kit | Qty: 5 | | P3YKA08CY |  | |
| Differential pressure indicator kit | | | P3YKA00RQ | | |
| Diaphragm kit (relieving type) | | | P3YKA00RR | | |
| Diaphragm kit (non-relieving type) | | | P3YKA00RN | | |
| Key lock (replacement) | | | P3XKA00AS |  | |
| Lubricator oil | F442001 - 1 Qt. | 2.03 (0.92) | F442001 |  | |
| | F442002 - 1 Gal | | F442002 | | |
| Neck mounting bracket kit | | 8.27 (3.75) | P3YKA00MS |  | |
| P3Y connecting kit | | 0.11 (0.05) | P3YKA00CB |  | |
| Panel mounting nut (Aluminium) | | 1.54 (0.70) | P3YKA00MM |  | |
| Pressure gauge | 0 to 160 psig (0 to 10 bar) | 1/4" | 0.13 (0.06) | K4520N14160 |  |
| | 0 to 300 psig (0 to 20 bar) | 1/4" | 0.13 (0.06) | K4520N14300 | |
| Refill plug | | | P3YKA00PL | | |
| Wall mounting brackets | | 0.44 (0.2) | P3YKA00CW |  | |

 Most popular.



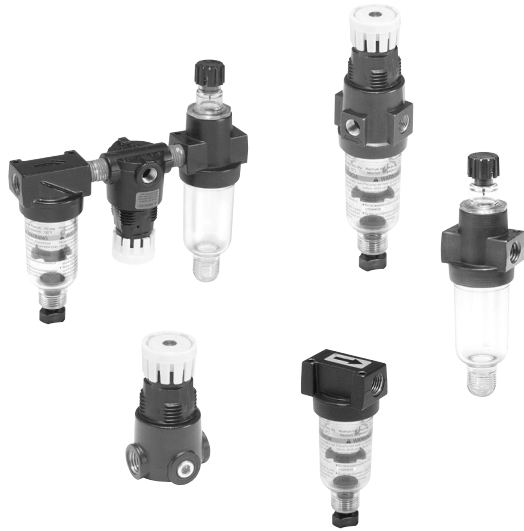
For inventory, lead times, and kit lookup, visit www.pdnplu.com

C

P3Y Products



For inventory, lead times, and kit lookup, visit www.pdnplu.com

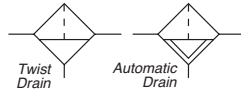


Air Preparation Products 14 Series Products

| | |
|-------------------------|---------|
| 14F Particulate Filters | D2-D3 |
| 10F Coalescing Filters | D4-D5 |
| 14R Regulators | D6-D7 |
| 14E Filter / Regulators | D8-D9 |
| 04L Lubricators | D10-D11 |
| 14A / 14G Combinations | D12-D13 |

14F Particulate Filters – Miniature

- Excellent water removal efficiency
- Unique deflector plate that creates swirling of the air stream ensuring maximum water and dirt separation
- Easily disassembled for servicing without the use of tools
- 5 micron element standard
- Interchangeable twist and automatic pulse drains
- 1/8" & 1/4" ports (NPT, BSPP & BSPT)



| Port Size | Description † | Part Number |
|-----------|------------------------------|----------------|
| 1/8" | Poly Bowl, Twist Drain | 14F01BB |
| 1/8" | Metal Bowl, Twist Drain | 14F03BB |
| 1/8" | Poly Bowl, Auto Pulse Drain | 14F05BB |
| 1/8" | Metal Bowl, Auto Pulse Drain | 14F07BB |
| 1/4" | Poly Bowl, Twist Drain | 14F11BB |
| 1/4" | Metal Bowl, Twist Drain | 14F13BB |
| 1/4" | Poly Bowl, Auto Pulse Drain | 14F15BB |
| 1/4" | Metal Bowl, Auto Pulse Drain | 14F17BB |

† For polycarbonate bowl, see caution in Engineering Section A.

Operating information

| | | |
|----------------------------|------|--|
| Supply pressure (max): | | |
| Plastic bowl | | 0 to 150 psig (0 to 10.3 bar) |
| Metal bowl | | 0 to 250 psig (0 to 17.2 bar) |
| Auto pulse drain | | 10 to 250 psig (0.7 to 17.2 bar) |
| Operating temperature: | | |
| Plastic bowl | | 32°F to 125°F (0°C to 52°C) |
| Metal bowl | | 32°F to 175°F (0°C to 80°C) |
| Auto pulse drain | | 125°F (52°C) or less |
| Flow capacity†: | | |
| High flow | 1/8" | 22 scfm (10.4 dm ³ /s, ANR) |
| | 1/4" | 24 scfm (11.3 dm ³ /s, ANR) |
| Bowl capacity: | | 1 oz. |
| Auto pulse drain tube barb | | 1/8 inch |
| Weight: | | 0.41 lb (0.18 kg) |

† scfm = Standard cubic feet per minute at 90 psig inlet and 5 psig pressure drop.

Ordering Information:

14F 1 1 B B

| Port Size | 0 | 1 |
|-----------|---|---|
| 1/8 inch | 0 | 1 |
| 1/4 inch | 1 | |

| Port Type | Blank | 1 | 2 |
|-----------|-------|------|------|
| | NPT | BSPP | BSPT |

| Bowl Options | 1 | 5 | 3 | 7 |
|------------------------------|---|---|---|---|
| Poly Bowl, Twist Drain | 1 | | | |
| Poly Bowl, Auto Pulse Drain | | 5 | | |
| Metal Bowl, Twist Drain | | | 3 | |
| Metal Bowl, Auto Pulse Drain | | | | 7 |

| Engineering Level | B |
|-------------------|---|
| Current | B |

| Element | A | B | Z |
|-----------|---|---|---|
| 40 Micron | A | | |
| 5 Micron | | B | |
| Adsorber | | | Z |

Most popular.



For inventory, lead times, and kit lookup, visit www.pdnplu.com

D
14 Series Products
Filters
Coalescers
Regulators
Filter / Regulators
Lubricators
Combinations

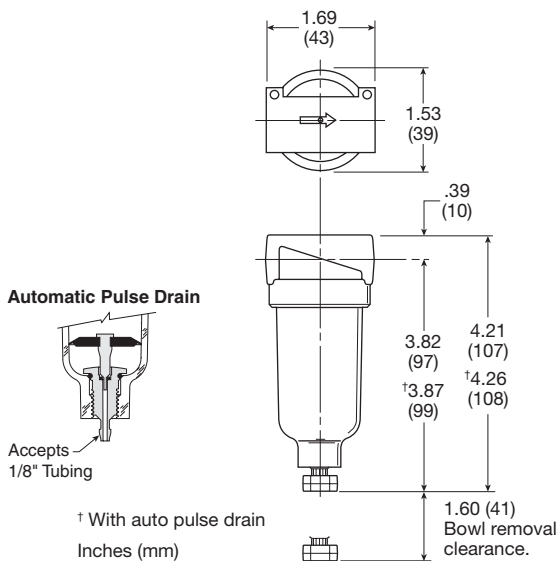
Miniature Particulate Filters

Material Specifications

| | |
|---|--------------------|
| Body | Zinc |
| Transparent bowl | Polycarbonate |
| Metal bowl without sight gauge | Zinc |
| Deflector, element holder & baffle | Plastic |
| Twist drain, body & stem | Plastic |
| Twist drain, seals | Nitrile |
| Auto pulse drain, piston & seals | Nitrile |
| Auto pulse drain, stem, seat, adaptor & washers | Aluminum |
| Element | Plastic |
| Adsorber (optional) | Activated charcoal |
| Seals | Nitrile |

Repair and Service Kits

| | |
|-------------------------------|----------------|
| Poly bowl / auto pulse drain | PS408BP |
| Poly bowl / twist drain | PS404P |
| Metal bowl / auto pulse drain | PS451BP |
| Metal bowl / twist drain | PS447BP |
| 40 Micron element | PS401P |
| 5 Micron element | PS403P |
| 5 Micron cartridge kit | PS407P |
| Adsorber element | PS452P |
| Mounting bracket kit | PS417BP |

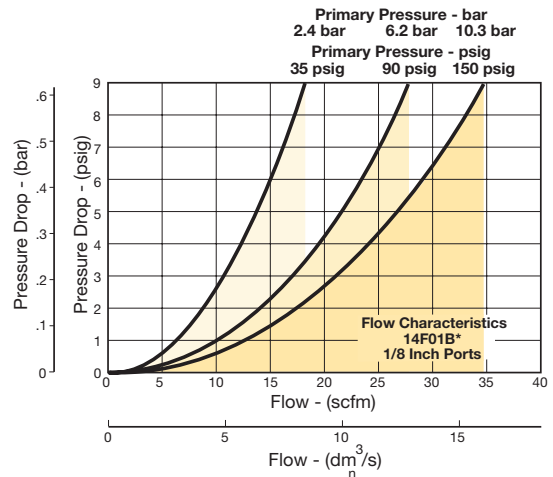


Air Preparation Products

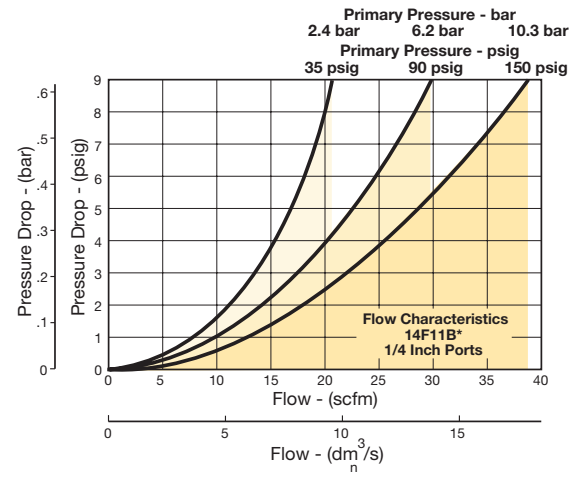
14 Series

Flow Charts

14F 1/8" Particulate Filter



14F 1/4" Particulate Filter



D

14 Series
Products

Filters

Coalescers

Regulators

Filter /
Regulators

Lubricators

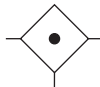
Combinations



For inventory, lead times, and kit lookup, visit www.pdnplu.com

10F Coalescing Filters – Miniature

- Removes liquid aerosols and sub-micron particles.
- Liquids gravitate to the bottom of the element and will not re-enter the airstream.
- Oil free air for critical applications, such as air gauging and pneumatic instrumentation and controls.
- Interchangeable twist and automatic pulse drains.
- Grade 6 element, 99.97% DOP efficiency
- 1/8", 1/4" ports (NPT, BSPP, BSPT)



| Port Size | Description ‡ | Part Number |
|-----------|------------------------------|----------------|
| 1/8" | Poly Bowl, Twist Drain | 10F01ED |
| 1/8" | Metal Bowl, Twist Drain | 10F03ED |
| 1/8" | Poly Bowl, Auto Pulse Drain | 10F05ED |
| 1/8" | Metal Bowl, Auto Pulse Drain | 10F07ED |
| 1/4" | Poly Bowl, Twist Drain | 10F11ED |
| 1/4" | Metal Bowl, Twist Drain | 10F13ED |
| 1/4" | Poly Bowl, Auto Pulse Drain | 10F15ED |
| 1/4" | Metal Bowl, Auto Pulse Drain | 10F17ED |

Standard part numbers shown bold, with Grade 6 Elements (for Grade 10 Elements, replace "E" with "H" in the 6th position). For other models refer to ordering information below.

‡ For polycarbonate bowl, see caution in Engineering Section A.

Operating information

| | | |
|------------------------------|------|--|
| Supply pressure (max): | | |
| Plastic bowl | | 0 to 150 psig (0 to 10.3 bar) |
| Metal bowl | | 0 to 250 psig (0 to 17.2 bar) |
| Auto pulse drain | | 10 to 250 psig (0.7 to 17.2 bar) |
| Operating pressure drop: | | |
| Normal | | 2 psig (0.14 bar) |
| Max recommended | | 10 psig (0.7 bar) |
| (Element should be replaced) | | |
| Operating temperature: | | |
| Plastic bowl | | 32°F to 125°F (0°C to 52°C) |
| Metal bowl | | 32°F to 175°F (0°C to 80°C) |
| Auto pulse drain | | 125°F (52°C) or less |
| Flow capacity†: | | |
| Grade 6 | 1/8" | 17 scfm (8 dm ³ /s, ANR) |
| (0.01 micron) | 1/4" | 20 scfm (9.4 dm ³ /s, ANR) |
| Grade 10 | 1/8" | 19 scfm (9 dm ³ /s, ANR) |
| (1.0 micron) | 1/4" | 24 scfm (11.3 dm ³ /s, ANR) |
| Bowl capacity: | | 1 oz. |
| Auto pulse drain tube barb | | 1/8 inch |
| Weight: | | 0.41 lb (0.18 kg) |

† scfm = Standard cubic feet per minute at 90 psig inlet and 5 psig pressure drop.

Ordering Information:

| 10F | 1 | 1 | E | D | | | | | | | | | | | | | | | | | | | | | | |
|---|----------|-----------|--|----------|----------|-------------------|--|---------|--------------|------------------------|---|-----------------------------|---|-------------------------|---|------------------------------|---|---|--|-----------|-------|-----|---|------|---|------|
| <table border="1"> <thead> <tr><th>Port Size</th></tr> </thead> <tbody> <tr><td>1/8 inch</td><td>0</td></tr> <tr><td>1/4 inch</td><td>1</td></tr> </tbody> </table> | | Port Size | 1/8 inch | 0 | 1/4 inch | 1 | <table border="1"> <thead> <tr><th>Bowl Options</th></tr> </thead> <tbody> <tr><td>Poly Bowl, Twist Drain</td><td>1</td></tr> <tr><td>Poly Bowl, Auto Pulse Drain</td><td>5</td></tr> <tr><td>Metal Bowl, Twist Drain</td><td>3</td></tr> <tr><td>Metal Bowl, Auto Pulse Drain</td><td>7</td></tr> </tbody> </table> | | Bowl Options | Poly Bowl, Twist Drain | 1 | Poly Bowl, Auto Pulse Drain | 5 | Metal Bowl, Twist Drain | 3 | Metal Bowl, Auto Pulse Drain | 7 | <table border="1"> <thead> <tr><th>Port Type</th></tr> </thead> <tbody> <tr><td>Blank</td><td>NPT</td></tr> <tr><td>1</td><td>BSPP</td></tr> <tr><td>2</td><td>BSPT</td></tr> </tbody> </table> | | Port Type | Blank | NPT | 1 | BSPP | 2 | BSPT |
| Port Size | | | | | | | | | | | | | | | | | | | | | | | | | | |
| 1/8 inch | 0 | | | | | | | | | | | | | | | | | | | | | | | | | |
| 1/4 inch | 1 | | | | | | | | | | | | | | | | | | | | | | | | | |
| Bowl Options | | | | | | | | | | | | | | | | | | | | | | | | | | |
| Poly Bowl, Twist Drain | 1 | | | | | | | | | | | | | | | | | | | | | | | | | |
| Poly Bowl, Auto Pulse Drain | 5 | | | | | | | | | | | | | | | | | | | | | | | | | |
| Metal Bowl, Twist Drain | 3 | | | | | | | | | | | | | | | | | | | | | | | | | |
| Metal Bowl, Auto Pulse Drain | 7 | | | | | | | | | | | | | | | | | | | | | | | | | |
| Port Type | | | | | | | | | | | | | | | | | | | | | | | | | | |
| Blank | NPT | | | | | | | | | | | | | | | | | | | | | | | | | |
| 1 | BSPP | | | | | | | | | | | | | | | | | | | | | | | | | |
| 2 | BSPT | | | | | | | | | | | | | | | | | | | | | | | | | |
| | | | <table border="1"> <thead> <tr><th>Engineering Level</th></tr> </thead> <tbody> <tr><td>D</td><td>Current</td></tr> </tbody> </table> | | | Engineering Level | D | Current | | | | | | | | | | | | | | | | | | |
| Engineering Level | | | | | | | | | | | | | | | | | | | | | | | | | | |
| D | Current | | | | | | | | | | | | | | | | | | | | | | | | | |
| | | | <table border="1"> <thead> <tr><th>Element</th></tr> </thead> <tbody> <tr><td>E</td><td>Grade 6</td></tr> <tr><td>H</td><td>Grade 10</td></tr> </tbody> </table> | | | Element | E | Grade 6 | H | Grade 10 | | | | | | | | | | | | | | | | |
| Element | | | | | | | | | | | | | | | | | | | | | | | | | | |
| E | Grade 6 | | | | | | | | | | | | | | | | | | | | | | | | | |
| H | Grade 10 | | | | | | | | | | | | | | | | | | | | | | | | | |

Most popular.



For inventory, lead times, and kit lookup, visit www.pdnplu.com

Miniature Coalescing Filters

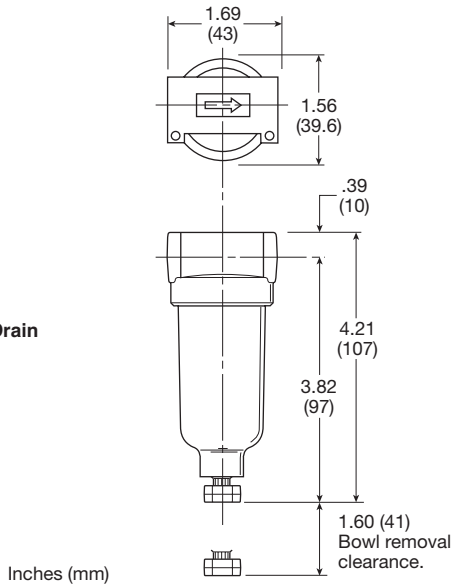
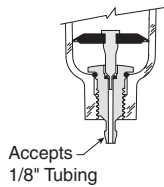
Material Specifications

| | |
|---|----------------------------------|
| Body | Zinc |
| Transparent bowl | Polycarbonate |
| Metal bowl without sight gauge | Zinc |
| Twist drain, body & stem | Plastic |
| Twist drain, seals | Nitrile |
| Auto pulse drain, piston & seals | Nitrile |
| Auto pulse drain, stem, seat, adaptor & washers | Aluminum |
| Element holder | Plastic |
| Element | Borosilicate & felt glass fibers |
| Seals | Nitrile |

Repair and Service Kits

| | |
|-----------------------------------|----------------|
| Poly bowl / auto pulse drain kit | PS408BP |
| Poly bowl / twist drain kit | PS404P |
| Metal bowl / auto pulse drain kit | PS451BP |
| Metal bowl / twist drain kit | PS447BP |
| Grade 6 element (standard) | PS446P |
| Grade 10 element (optional) | PS456P |
| Mounting bracket kit | PS417BP |

Automatic Pulse Drain

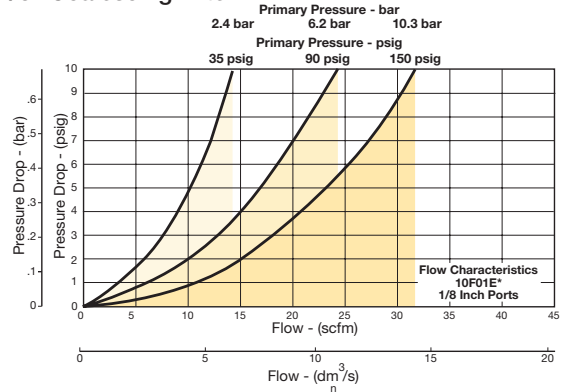


Air Preparation Products 14 Series

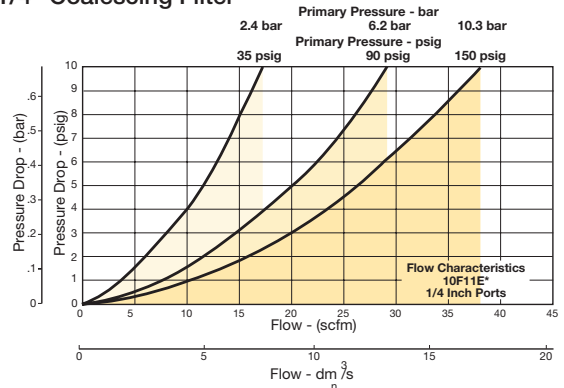
Flow Charts

Grade 6 Element

10F 1/8" Coalescing Filter

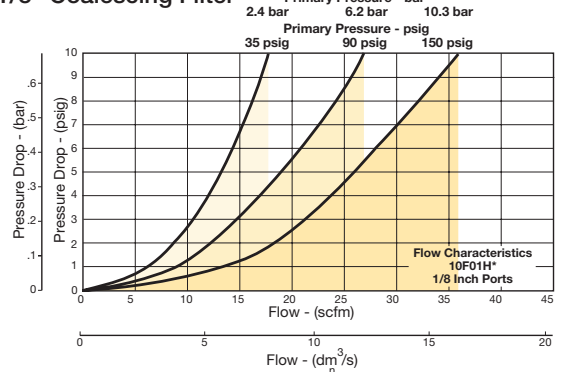


10F 1/4" Coalescing Filter

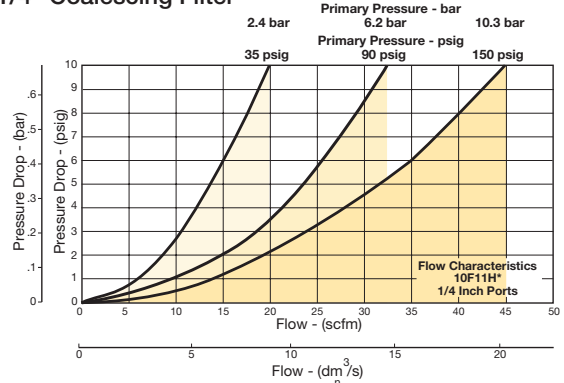


Grade 10 Element

10F 1/8" Coalescing Filter



10F 1/4" Coalescing Filter



D

14 Series
Products

Filters

Coalescers

Regulators

Filter /
Regulators

Lubricators

Combinations

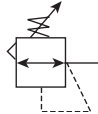


For inventory, lead times, and kit lookup, visit www.pdnplu.com

Miniature Regulators

14R Regulators – Miniature

- Unbalanced poppet standard
- Solid control piston with lip seal for extended life
- Non-rising adjusting knob
- Compact design
- Very easy to service
- 1/8", 1/4" ports (NPT, BSPP, BSPT)



| Port Size | Description | Part Number |
|-----------|---------------|-------------|
| 1/8" | Without Gauge | 14R013FC |
| 1/8" | With Gauge | 14R018FC |
| 1/4" | Without Gauge | 14R113FC |
| 1/4" | With Gauge | 14R118FC |

NOTE: 1.218 Dia. (31 mm) hole required for panel mounting.

Operating information

| | |
|---------------------------|--|
| Supply pressure (max): | 0 to 300 psig (0 to 20.7 bar) |
| Secondary pressure ranges | |
| Standard | 2 to 125 psig (0 to 8.6 bar) |
| Medium | 1 to 60 psig (0 to 4.1 bar) |
| Medium | 1 to 30 psig (0 to 2.1 bar) |
| Low | 1 to 15 psig (0 to 1 bar) |
| Operating temperature: | 32°F to 125°F (0°C to 52°C) |
| Low temperature | -4°F to 125°F (-20°C to 52°C) |
| Flow capacity†: | |
| High flow | 1/8" 13 scfm (6.1 dm ³ /s, ANR) |
| 1/4" | 15 scfm (7.1 dm ³ /s, ANR) |
| Gauge ports (2): | 1/8 or 1/4 inch |
| Weight: | 0.3 lb (0.14 kg) |

† scfm = Standard cubic feet per minute at 100 psig inlet, 90 psig no flow secondary setting and 10 psig pressure drop.

Ordering Information:

14R 1 13 F C

| Port Size | Port Type | Preset / Pressure Limited |
|--------------------------------------|-----------|---------------------------|
| 1/8 inch Pipe, 1/8 inch Gauge Port 0 | Blank NPT | Blank None |
| 1/4 inch Pipe, 1/8 inch Gauge Port 1 | 1 BSPP | XXX* Preset Pressure |
| 1/4 inch Pipe, 1/4 inch Gauge Port B | 2 BSPT | XXX* Pressure Limited |
| 1/8 inch Pipe, no Gauge Port C | | |
| Manifold Mounting M | | |

Engineering Level
C Current

| Pressure Range | | Relief | |
|----------------|-------------|-----------|-------------------------|
| Yellow Knob | Black Knob | F | G |
| Without Gauge | | Relieving | Non-Relieving |
| 30 psig 10 | 30 psig B0 | H | Low Temp. Relieving |
| 60 psig 11 | 60 psig B1 | J | Low Temp. Non-Relieving |
| 15 psig 12 | 15 psig B2 | | |
| 125 psig 13 | 125 psig B3 | | |
| With Gauge* | | | |
| 30 psig 15 | 30 psig B5 | | |
| 60 psig 16 | 60 psig B6 | | |
| 15 psig 17 | 15 psig B7 | | |
| 125 psig 18 | 125 psig B8 | | |

* Not available with BSPP or BSPT port types.

| Options | |
|---------|--------------------------------------|
| Blank | No Options |
| L † | Preset Non-Adjustable |
| p † | Preset Adjustable |
| S † | Pressure Limiter Max. Adjustable |
| T † | Pressure Limiter Max. Non-Adjustable |

† Inlet pressure is 100 psig. For other pressures contact factory.

Spring Type by Preset / Limited Pressure:
 For Preset / Limited Pressure 10 to 25 use 30 psi spring
 For Preset / Limited Pressure 26 to 50 use 60 psi spring
 For Preset / Limited Pressure 51 to 90 use 125 psi spring

Most popular.



For inventory, lead times, and kit lookup, visit www.pdnplu.com

Miniature Regulators

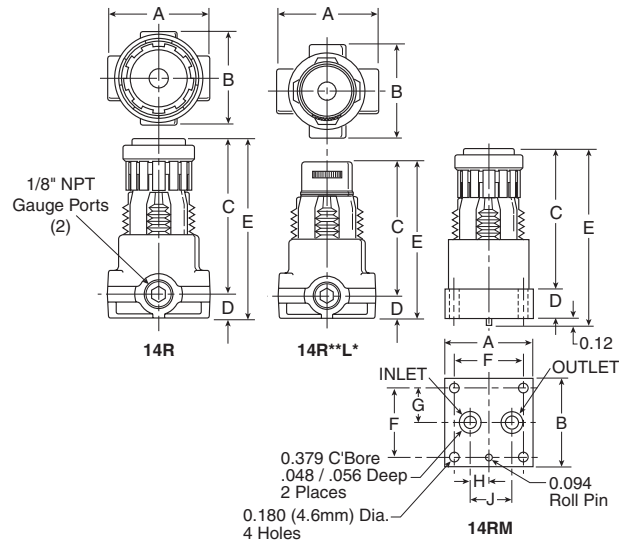
Material Specifications

| | |
|-------------------------------------|---------|
| Adjusting nut | Brass |
| Adjusting stem & spring | Steel |
| Body | Zinc |
| Bonnet, seat, piston & valve poppet | Plastic |
| Seals | Nitrile |

Repair and Service Kits

| | |
|--|--------------------|
| Bonnet assembly kit | L01369 |
| Bonnet tamperproof kit | P01265 |
| 30 psig gauge, 1/8" NPT (0 to 2.1 bar) | K4515N18030 |
| 60 psig gauge, 1/8" NPT (0 to 4.1 bar) | K4515N18060 |
| 160 psig gauge, 1/8" NPT (0 to 11.0 bar) | K4515N18160 |
| 60 psig gauge, 1/4" NPT (0 to 4.1 bar) | K4520N14060 |
| 160 psig gauge, 1/4" NPT (0 to 11.0 bar) | K4520N14160 |
| Mounting bracket kit* (includes panel mount nut) | PS417BP |
| Plastic panel mount nuts* | P78652 |
| Metal panel mount nuts* | P01531 |
| Unbalanced non-relieving, poppet / piston kit | PS428P |
| Unbalanced relieving, poppet / piston kit | PS426P |
| 1-15 psig spring (yellow) | P01176 |
| 1-30 psig spring (black) | P01175 |
| 1-60 psig spring (white) | P01174 |
| 2-125 psig spring (gold) | P01173 |

* Tighten panel mount nut 2.8 to 3.4 Nm (25 to 30 in-lbs) of torque.

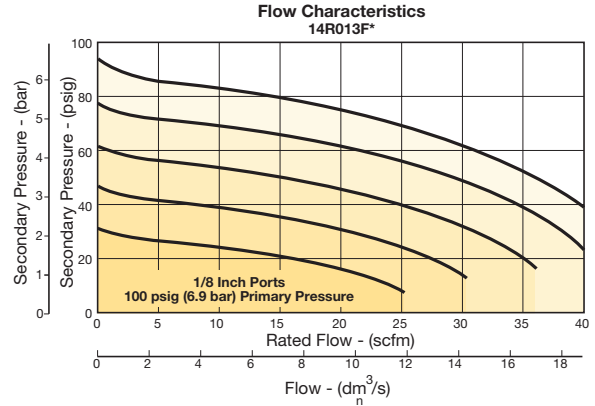


Air Preparation Products

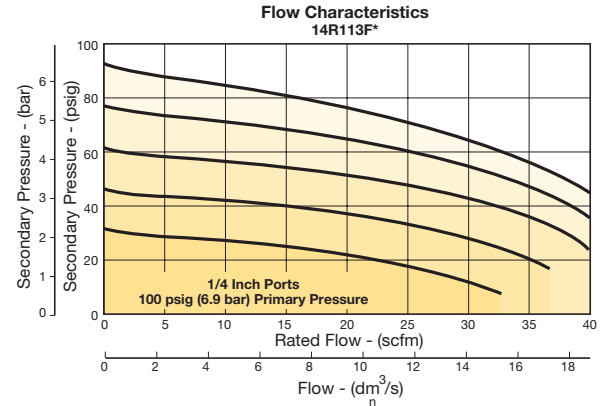
14 Series

Flow Charts

14R 1/8" Ports



14R 1/4" Ports



WARNING
 Product rupture can cause serious injury.
 Do not connect regulator to bottled gas.
 Do not exceed Maximum primary pressure rating.

CAUTION:
REGULATOR PRESSURE ADJUSTMENT – The working range of knob adjustment is designed to permit outlet pressures within their full range. Pressure adjustment beyond this range is also possible because the knob is not a limiting device. This is a common characteristic of most industrial regulators, and limiting devices may be obtained only by special design. For best performance, regulated pressure should always be set by increasing the pressure up to the desired setting.

D
 14 Series Products
 Filters
 Coalescers
 Regulators
 Filter / Regulators
 Lubricators
 Combinations



For inventory, lead times, and kit lookup, visit www.pdnplu.com

14E Filter / Regulator – Miniature

- Excellent water removal efficiency
- Unbalanced poppet standard
- Solid control piston for extended life
- Space saving package offers both filter and regulator features in one integral unit
- Non-rising adjustment knob
- Two full flow 1/8" gauge ports
- 1/8", 1/4" ports (NPT, BSPP, BSPT)



| Port Size | Description † | Part Number |
|-----------|------------------------------|-------------------|
| 1/8" | Poly Bowl, Twist Drain | 14E01B13FC |
| 1/8" | Metal Bowl, Twist Drain | 14E03B13FC |
| 1/8" | Poly Bowl, Auto Pulse Drain | 14E05B13FC |
| 1/8" | Metal Bowl, Auto Pulse Drain | 14E07B13FC |
| 1/4" | Poly Bowl, Twist Drain | 14E11B13FC |
| 1/4" | Metal Bowl, Twist Drain | 14E13B13FC |
| 1/4" | Poly Bowl, Auto Pulse Drain | 14E15B13FC |
| 1/4" | Metal Bowl, Auto Pulse Drain | 14E17B13FC |

† For polycarbonate bowl, see caution in Engineering Section A.

NOTE: 1.218 Dia. (31 mm) hole required for panel mounting.

Operating information

| | | |
|----------------------------|------|---|
| Supply pressure (max): | | |
| Plastic bowl | | 0 to 150 psig (0 to 10.3 bar) |
| Metal bowl | | 0 to 250 psig (0 to 17.2 bar) |
| Secondary pressure ranges | | |
| Standard | | 2 to 125 psig (0 to 8.6 bar) |
| Medium | | 1 to 30 psig (0 to 2.1 bar) |
| Medium | | 1 to 60 psig (0 to 4.1 bar) |
| Low | | 1 to 15 psig (0 to 1 bar) |
| Operating temperature: | | |
| Plastic bowl | | 32°F to 125°F (0°C to 52°C) |
| Metal bowl | | 32°F to 175°F (0°C to 80°C) |
| Flow capacity†: | | |
| High flow | 1/8" | 16 scfm (7.6 dm ³ /s, ANR) |
| | 1/4" | 18 scfm (8.5 dm ³ /s, ANR) |
| Bowl capacity: | | 1 oz. |
| Auto pulse drain tube barb | | 1/8 inch |
| Gauge ports (2): | | 1/8 inch (can be used as additional full flow) |
| Weight: | | 0.4 lb (0.18 kg) |

† scfm = Standard cubic feet per minute at 100 psig inlet and 10 psig pressure drop.

Ordering Information:

| 14E | 1 | 1 | B | 13 | F | C | | | | | | | | | | | | | | | | | | | | | | | | | | | | | | | | | | | | | | | | | | | | | | | | | | | | |
|--|--------------------------------------|-------------|----------|----------------|---------------|----------|--|----|--------------|------------------------|---------|-----------------------------|---------|-------------------------|---------|------------------------------|---------|---|----------|---------|--|---|----------|---|----------|-------|---|-----|-----------------------|-----|-------------------|--|----------------------------------|--------|--------------------------------------|-----------|---|---------------|----|---------------------|---|--|-----------|-------|-----|---|------|---|------|---|--|---------------------------|-------|------|------|-----------------|------|------------------|
| <table border="1"> <thead> <tr><th>Port Size</th></tr> </thead> <tbody> <tr><td>1/8 inch</td><td>0</td></tr> <tr><td>1/4 inch</td><td>1</td></tr> </tbody> </table> | | Port Size | 1/8 inch | 0 | 1/4 inch | 1 | <table border="1"> <thead> <tr><th>Bowl Options</th></tr> </thead> <tbody> <tr><td>Poly Bowl, Twist Drain</td><td>1</td></tr> <tr><td>Poly Bowl, Auto Pulse Drain</td><td>5</td></tr> <tr><td>Metal Bowl, Twist Drain</td><td>3</td></tr> <tr><td>Metal Bowl, Auto Pulse Drain</td><td>7</td></tr> </tbody> </table> | | Bowl Options | Poly Bowl, Twist Drain | 1 | Poly Bowl, Auto Pulse Drain | 5 | Metal Bowl, Twist Drain | 3 | Metal Bowl, Auto Pulse Drain | 7 | <table border="1"> <thead> <tr><th>Element</th></tr> </thead> <tbody> <tr><td>40 Micron</td><td>A</td></tr> <tr><td>5 Micron</td><td>B</td></tr> <tr><td>Adsorber</td><td>Z</td></tr> </tbody> </table> | | Element | 40 Micron | A | 5 Micron | B | Adsorber | Z | <table border="1"> <thead> <tr><th>Engineering Level</th></tr> </thead> <tbody> <tr><td>C</td><td>Current</td></tr> </tbody> </table> | | Engineering Level | C | Current | <table border="1"> <thead> <tr><th>Relief</th></tr> </thead> <tbody> <tr><td>F</td><td>Relieving</td></tr> <tr><td>G</td><td>Non-Relieving</td></tr> <tr><td>H*</td><td>Low Temp. Relieving</td></tr> </tbody> </table> <p>* Twist drain only.</p> | | Relief | F | Relieving | G | Non-Relieving | H* | Low Temp. Relieving | <table border="1"> <thead> <tr><th>Port Type</th></tr> </thead> <tbody> <tr><td>Blank</td><td>NPT</td></tr> <tr><td>1</td><td>BSPP</td></tr> <tr><td>2</td><td>BSPT</td></tr> </tbody> </table> | | Port Type | Blank | NPT | 1 | BSPP | 2 | BSPT | <table border="1"> <thead> <tr><th>Preset / Pressure Limited</th></tr> </thead> <tbody> <tr><td>Blank</td><td>None</td></tr> <tr><td>XXX*</td><td>Preset Pressure</td></tr> <tr><td>XXX*</td><td>Pressure Limited</td></tr> </tbody> </table> <p>* Available preset / pressure limited range, 10 to 90 psig in 5 psig increments. For higher pressures, contact factory. (Example: 065 = 65 psig)</p> | | Preset / Pressure Limited | Blank | None | XXX* | Preset Pressure | XXX* | Pressure Limited |
| Port Size | | | | | | | | | | | | | | | | | | | | | | | | | | | | | | | | | | | | | | | | | | | | | | | | | | | | | | | | | | |
| 1/8 inch | 0 | | | | | | | | | | | | | | | | | | | | | | | | | | | | | | | | | | | | | | | | | | | | | | | | | | | | | | | | | |
| 1/4 inch | 1 | | | | | | | | | | | | | | | | | | | | | | | | | | | | | | | | | | | | | | | | | | | | | | | | | | | | | | | | | |
| Bowl Options | | | | | | | | | | | | | | | | | | | | | | | | | | | | | | | | | | | | | | | | | | | | | | | | | | | | | | | | | | |
| Poly Bowl, Twist Drain | 1 | | | | | | | | | | | | | | | | | | | | | | | | | | | | | | | | | | | | | | | | | | | | | | | | | | | | | | | | | |
| Poly Bowl, Auto Pulse Drain | 5 | | | | | | | | | | | | | | | | | | | | | | | | | | | | | | | | | | | | | | | | | | | | | | | | | | | | | | | | | |
| Metal Bowl, Twist Drain | 3 | | | | | | | | | | | | | | | | | | | | | | | | | | | | | | | | | | | | | | | | | | | | | | | | | | | | | | | | | |
| Metal Bowl, Auto Pulse Drain | 7 | | | | | | | | | | | | | | | | | | | | | | | | | | | | | | | | | | | | | | | | | | | | | | | | | | | | | | | | | |
| Element | | | | | | | | | | | | | | | | | | | | | | | | | | | | | | | | | | | | | | | | | | | | | | | | | | | | | | | | | | |
| 40 Micron | A | | | | | | | | | | | | | | | | | | | | | | | | | | | | | | | | | | | | | | | | | | | | | | | | | | | | | | | | | |
| 5 Micron | B | | | | | | | | | | | | | | | | | | | | | | | | | | | | | | | | | | | | | | | | | | | | | | | | | | | | | | | | | |
| Adsorber | Z | | | | | | | | | | | | | | | | | | | | | | | | | | | | | | | | | | | | | | | | | | | | | | | | | | | | | | | | | |
| Engineering Level | | | | | | | | | | | | | | | | | | | | | | | | | | | | | | | | | | | | | | | | | | | | | | | | | | | | | | | | | | |
| C | Current | | | | | | | | | | | | | | | | | | | | | | | | | | | | | | | | | | | | | | | | | | | | | | | | | | | | | | | | | |
| Relief | | | | | | | | | | | | | | | | | | | | | | | | | | | | | | | | | | | | | | | | | | | | | | | | | | | | | | | | | | |
| F | Relieving | | | | | | | | | | | | | | | | | | | | | | | | | | | | | | | | | | | | | | | | | | | | | | | | | | | | | | | | | |
| G | Non-Relieving | | | | | | | | | | | | | | | | | | | | | | | | | | | | | | | | | | | | | | | | | | | | | | | | | | | | | | | | | |
| H* | Low Temp. Relieving | | | | | | | | | | | | | | | | | | | | | | | | | | | | | | | | | | | | | | | | | | | | | | | | | | | | | | | | | |
| Port Type | | | | | | | | | | | | | | | | | | | | | | | | | | | | | | | | | | | | | | | | | | | | | | | | | | | | | | | | | | |
| Blank | NPT | | | | | | | | | | | | | | | | | | | | | | | | | | | | | | | | | | | | | | | | | | | | | | | | | | | | | | | | | |
| 1 | BSPP | | | | | | | | | | | | | | | | | | | | | | | | | | | | | | | | | | | | | | | | | | | | | | | | | | | | | | | | | |
| 2 | BSPT | | | | | | | | | | | | | | | | | | | | | | | | | | | | | | | | | | | | | | | | | | | | | | | | | | | | | | | | | |
| Preset / Pressure Limited | | | | | | | | | | | | | | | | | | | | | | | | | | | | | | | | | | | | | | | | | | | | | | | | | | | | | | | | | | |
| Blank | None | | | | | | | | | | | | | | | | | | | | | | | | | | | | | | | | | | | | | | | | | | | | | | | | | | | | | | | | | |
| XXX* | Preset Pressure | | | | | | | | | | | | | | | | | | | | | | | | | | | | | | | | | | | | | | | | | | | | | | | | | | | | | | | | | |
| XXX* | Pressure Limited | | | | | | | | | | | | | | | | | | | | | | | | | | | | | | | | | | | | | | | | | | | | | | | | | | | | | | | | | |
| <table border="1"> <thead> <tr><th>Pressure Range</th></tr> </thead> <tbody> <tr> <td>Without Gauge</td> <td>10</td> <td>With Gauge*</td> <td>15</td> </tr> <tr> <td>30 psig</td> <td>11</td> <td>60 psig</td> <td>16</td> </tr> <tr> <td>60 psig</td> <td>12</td> <td>15 psig</td> <td>17</td> </tr> <tr> <td>15 psig</td> <td>13</td> <td>125 psig</td> <td>18</td> </tr> </tbody> </table> <p>* Not available with BSPP or BSPT port types.</p> | | | | Pressure Range | Without Gauge | 10 | With Gauge* | 15 | 30 psig | 11 | 60 psig | 16 | 60 psig | 12 | 15 psig | 17 | 15 psig | 13 | 125 psig | 18 | <table border="1"> <thead> <tr><th>Options</th></tr> </thead> <tbody> <tr><td>Blank</td><td>No Options</td></tr> <tr><td>L †</td><td>Preset Non-Adjustable</td></tr> <tr><td>P †</td><td>Preset Adjustable</td></tr> <tr><td>S †</td><td>Pressure Limiter Max. Adjustable</td></tr> <tr><td>T †</td><td>Pressure Limiter Max. Non-Adjustable</td></tr> </tbody> </table> <p>† Inlet pressure is 100 psig. For other pressures contact factory.</p> | | | | Options | Blank | No Options | L † | Preset Non-Adjustable | P † | Preset Adjustable | S † | Pressure Limiter Max. Adjustable | T † | Pressure Limiter Max. Non-Adjustable | | | | | | | | | | | | | | | | | | | | | | | |
| Pressure Range | | | | | | | | | | | | | | | | | | | | | | | | | | | | | | | | | | | | | | | | | | | | | | | | | | | | | | | | | | |
| Without Gauge | 10 | With Gauge* | 15 | | | | | | | | | | | | | | | | | | | | | | | | | | | | | | | | | | | | | | | | | | | | | | | | | | | | | | | |
| 30 psig | 11 | 60 psig | 16 | | | | | | | | | | | | | | | | | | | | | | | | | | | | | | | | | | | | | | | | | | | | | | | | | | | | | | | |
| 60 psig | 12 | 15 psig | 17 | | | | | | | | | | | | | | | | | | | | | | | | | | | | | | | | | | | | | | | | | | | | | | | | | | | | | | | |
| 15 psig | 13 | 125 psig | 18 | | | | | | | | | | | | | | | | | | | | | | | | | | | | | | | | | | | | | | | | | | | | | | | | | | | | | | | |
| Options | | | | | | | | | | | | | | | | | | | | | | | | | | | | | | | | | | | | | | | | | | | | | | | | | | | | | | | | | | |
| Blank | No Options | | | | | | | | | | | | | | | | | | | | | | | | | | | | | | | | | | | | | | | | | | | | | | | | | | | | | | | | | |
| L † | Preset Non-Adjustable | | | | | | | | | | | | | | | | | | | | | | | | | | | | | | | | | | | | | | | | | | | | | | | | | | | | | | | | | |
| P † | Preset Adjustable | | | | | | | | | | | | | | | | | | | | | | | | | | | | | | | | | | | | | | | | | | | | | | | | | | | | | | | | | |
| S † | Pressure Limiter Max. Adjustable | | | | | | | | | | | | | | | | | | | | | | | | | | | | | | | | | | | | | | | | | | | | | | | | | | | | | | | | | |
| T † | Pressure Limiter Max. Non-Adjustable | | | | | | | | | | | | | | | | | | | | | | | | | | | | | | | | | | | | | | | | | | | | | | | | | | | | | | | | | |

Spring Type by Preset / Limited Pressure:
 For Preset / Limited Pressure 10 to 25 use 30 psi spring
 For Preset / Limited Pressure 26 to 50 use 60 psi spring
 For Preset / Limited Pressure 51 to 90 use 125 psi spring

Most popular.



For inventory, lead times, and kit lookup, visit www.pdnplu.com

Miniature Filter / Regulators

Material Specifications

| | |
|---|--------------------|
| Adjusting nut | Brass |
| Adjusting stem & spring | Steel |
| Body | Zinc |
| Bonnet, knob, seat, piston, holder & deflector | Plastic |
| Transparent bowl | Polycarbonate |
| Metal bowl (without sight gauge) | Zinc |
| Twist drain, body & stem | Plastic |
| Twist drain, seals | Nitrile |
| Auto pulse drain, piston & seals | Nitrile |
| Auto pulse drain, stem, seat, adaptor & washers | Aluminum |
| 5 Micron elements (standard) | Plastic |
| 40 Micron elements (optional) | Plastic |
| Adsorber elements (optional) | Activated charcoal |
| Seals | Nitrile |

Repair and Service Kits

| | |
|--|--------------------|
| Bonnet tamperproof kit | P01265 |
| Poly bowl / auto drain | PS408BP |
| Poly bowl / twist drain | PS404P |
| Metal bowl / auto drain | PS451BP |
| Metal bowl / twist drain | PS447BP |
| 40 micron element | PS401P |
| 5 micron element | PS403P |
| Adsorber element | PS452P |
| 30 psig (0 to 2.1 bar), gauge | K4515N18030 |
| 60 psig (0 to 4.1 bar), gauge | K4515N18060 |
| 160 psig (0 to 11.0 bar), gauge | K4515N18160 |
| Mounting bracket kit* (includes panel mount nut) | PS417BP |
| Panel mount nut* | P78652 |
| Unbalanced, non-relieving | PS428P |
| Unbalanced, relieving | PS426P |
| 1- 15 psig spring (yellow) | P01176 |
| 1- 30 psig spring (black) | P01175 |
| 1- 60 psig spring (white) | P01174 |
| 2- 125 psig spring (gold) | P01173 |

*Tighten panel mount nut 2.8 to 3.4 Nm (25 to 30 in-lbs) of torque.

WARNING

Product rupture can cause serious injury. Do not connect regulator to bottled gas. Do not exceed Maximum primary pressure rating.

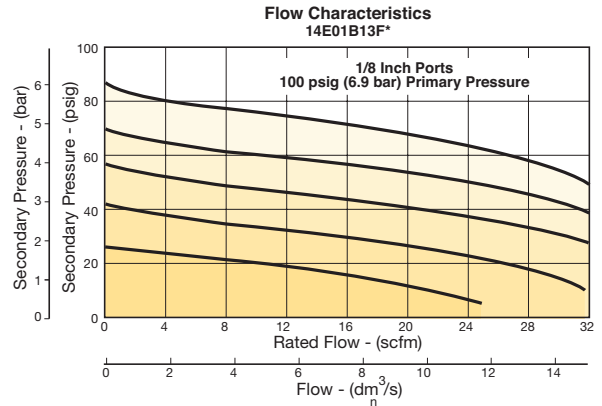
CAUTION:

REGULATOR PRESSURE ADJUSTMENT – The working range of knob adjustment is designed to permit outlet pressures within their full range. Pressure adjustment beyond this range is also possible because the knob is not a limiting device. This is a common characteristic of most industrial regulators, and limiting devices may be obtained only by special design. For best performance, regulated pressure should always be set by increasing the pressure up to the desired setting.

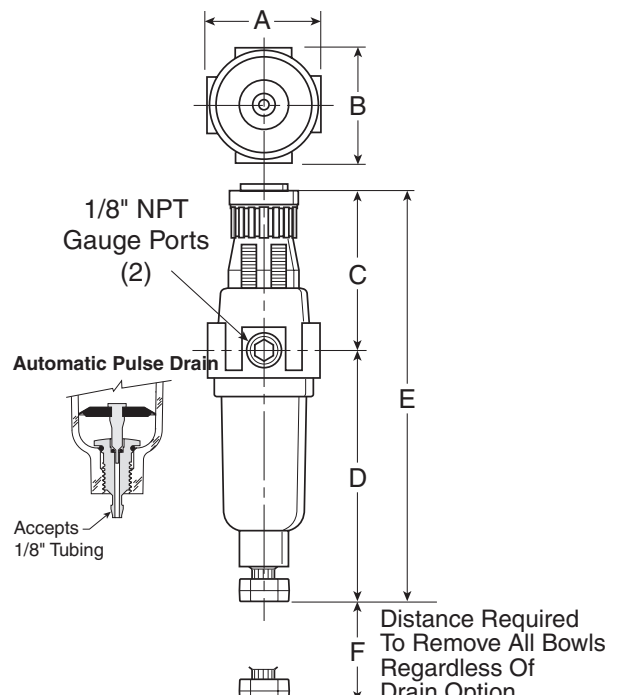
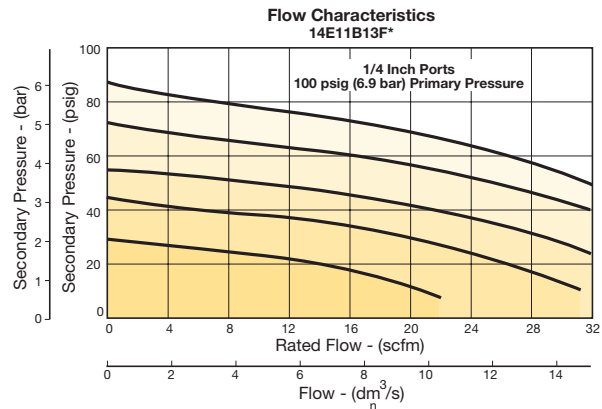
Air Preparation Products 14 Series

Flow Charts

14E 1/8" Filter / Regulator



14E 1/4" Filter / Regulator



D

14 Series Products

Filters

Coalescers

Regulators

Filter / Regulators

Lubricators

Combinations



For inventory, lead times, and kit lookup, visit www.pdnplu.com

04L Mist Lubricators – Miniature

- Proportional oil delivery over a wide range of air flows
- Precision needle valve assures repeatable oil delivery and provides simple adjustment of delivery rate
- Ideal for low and high flow applications with changing air flow
- Transparent sight dome for 360° visibility
- Integral 1/8", 1/4" ports (NPT, BSPP, BSPT)



D
14 Series
Products

Filters

Coalescers

Regulators

Filter /
Regulators

Lubricators

Combinations

| Port Size | Description ‡ | Part Number |
|-----------|---|----------------|
| 1/8" | Poly Bowl, No Drain | 04L00GB |
| 1/8" | Metal Bowl, No Sight Gauge, Twist Drain | 04L03GB |
| 1/4" | Poly Bowl, No Drain | 04L10GB |
| 1/4" | Metal Bowl, No Sight Gauge, Twist Drain | 04L13GB |

‡ For polycarbonate bowl and sight dome, see caution in Engineering Section A.

Operating information

| | | |
|------------------------|------|---|
| Supply pressure (max): | | |
| Plastic bowl | | 0 to 150 psig (0 to 10.3 bar) |
| Metal bowl | | 0 to 250 psig (0 to 17.2 bar) |
| Operating temperature: | | |
| Plastic bowl | | 32°F to 125°F (0°C to 52°C) |
| Metal bowl | | 32°F to 175°F (0°C to 80°C) |
| Flow capacity†: | | |
| High flow | 1/8" | 20 scfm (9.4 dm ³ /s, ANR) |
| | 1/4" | 20 scfm (9.4 dm ³ /s, ANR) |
| Minimum flow | | 0.5 scfm (0.24 dm ³ /s, ANR) at 100 psig (6.9 bar) |
| Bowl capacity: | | 1 oz. |
| Weight: | | 0.4 lb (0.18 kg) |

† scfm = Standard cubic feet per minute at 90 psig inlet and 5 psig pressure drop.

Ordering Information:

| | | | | | |
|---|----------|----------|----------|--------------------------|------------------|
| 04L | 1 | 0 | G | B | |
| Port Size | | | | | Port Type |
| 1/8 inch | 0 | | | | Blank NPT |
| 1/4 inch | 1 | | | | 1 BSPP |
| | | | | | 2 BSPT |
| Bowl Options | | | | Engineering Level | |
| Poly Bowl, No Drain | 0 | | | B | Current |
| Poly Bowl, Twist Drain | 1 | | | | |
| Metal Bowl, No Sight Gauge, Twist Drain | 3 | | | Body | |
| | | | G | No Fill Plug | |

Suggested Lubricant **F442 Oil**

Petroleum based oil of 100 to 200 SUS viscosity at 100°F (38°C) and an aniline point greater than 200°F (93°C)
(DO NOT USE OILS WITH ADDITIVES, COMPOUNDED OILS CONTAINING SOLVENTS, GRAPHITE, DETERGENTS, OR SYNTHETIC OILS.)

Most popular.



For inventory, lead times, and kit lookup, visit www.pdnplu.com

Miniature Mist Lubricators

Material Specifications

| | |
|----------------------------------|---------------|
| Body | Zinc |
| Transparent bowls | Polycarbonate |
| Metal bowl (without sight gauge) | Zinc |
| Drains, twist – body & nut | Plastic |
| Seals | Nitrile |
| Sight dome | Polycarbonate |

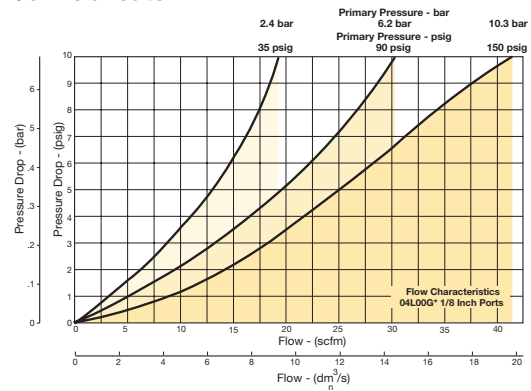
Repair and Service Kits

| | |
|---|----------------|
| Poly bowl / no drain kit | PS421P |
| Poly bowl / twist drain kit | PS420P |
| Metal bowl / twist drain (no sight gauge) kit | PS447BP |
| Mounting bracket kit | PS419 |
| Oil (1 quart) | F442001 |
| Oil (1 gallon) | F442002 |
| Oil (12 quart case) | F442003 |
| Oil (4 gallon case) | F442005 |

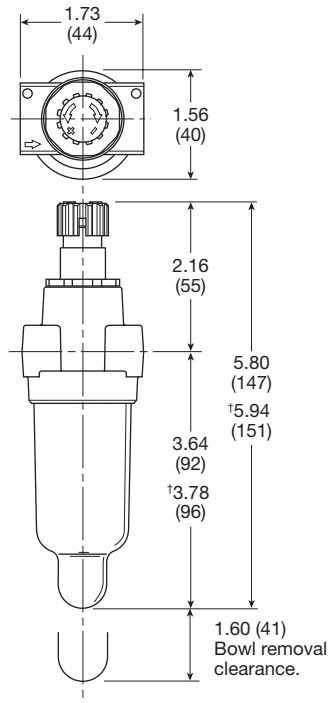
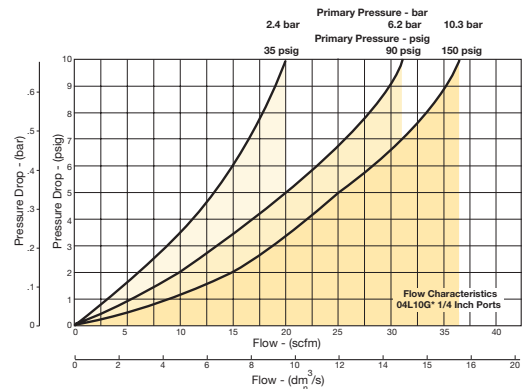
Air Preparation Products 14 Series

Flow Charts

04L 1/8" Lubricator



04L 1/4" Lubricator



Inches (mm)

D

14 Series
Products

Filters

Coalescers

Regulators

Filter /
Regulators

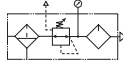
Lubricators

Combinations

14A / 14G Close Nipped Combinations – Miniature

Close Nipped Combinations – 14 Miniature Series

- Regulator can be mounted with knob in up or down position
- 5 micron filter element standard, 40 micron optional
- Manual twist drain
- Relieving regulator



Close Nipped Combinations

| | Port Size | Bowl Type ‡ | Element Type | Filter Drain Type | Relief Type | Lubricator Drain Type | Part Number (NPT) |
|-----|-----------|-------------|--------------|-------------------|-------------|-----------------------|-------------------|
| 14G | 1/8" | Poly | 5 micron | Twist | Relieving | None | 14G01B13F0GD |
| | 1/4" | Poly | 5 micron | Twist | Relieving | None | 14G11B13F0GD |
| 14A | 1/8" | Poly | 5 micron | Twist | Relieving | None | 14A01B13F0GF |
| | 1/4" | Poly | 5 micron | Twist | Relieving | None | 14A11B13F0GF |

‡ For polycarbonate bowl, see caution in Engineering Section A.

Ordering Information:

14A 1 1 B 13 F 0 G *

| | |
|--------------------------------|--|
| Series | 3-Unit 14A 2-Unit 14G |
| Port Size | 1/8 inch 0 1/4 inch 1 |
| Filter Bowl Options | Poly Bowl, Twist Drain 1 Poly Bowl, Auto Pulse Drain 5 Metal Bowl, Twist Drain 3 Metal Bowl, Auto Pulse Drain 7 |
| Filter Element | 40 Micron A 5 Micron B |
| Relief | F Relieving G Non-Relieving |
| Pressure Range | Without Gauge With Gauge 10 30 psig 15 30 psig 11 60 psig 16 60 psig 12 15 psig 17 15 psig 13 125 psig 18 125 psig |
| Lubricator Bowl Options | 0 Poly Bowl, No Drain 1 Poly Bowl, Twist Drain 3 Metal Bowl, Twist Drain |
| Lubricator Body Options | G No Fill Plug |
| Engineering Level | D 14G Current F 14A Current |

Most popular.

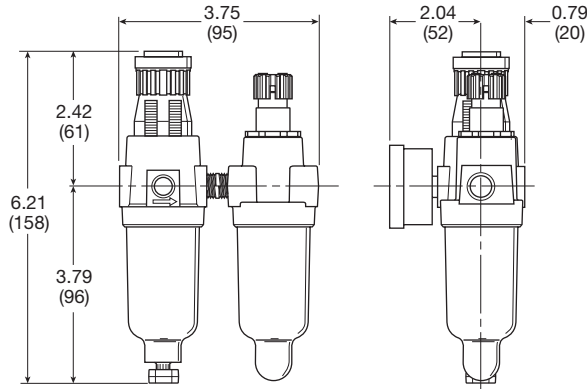


For inventory, lead times, and kit lookup, visit www.pdnplu.com

14 Series Products
 Filters
 Coalescers
 Regulators
 Filter / Regulators
 Lubricators
 Combinations

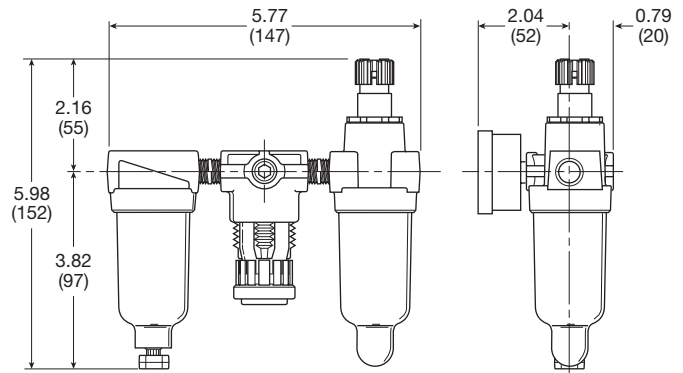
Close Nipped Combinations

14G (Close nipped 2-unit)



Inches (mm)

14A (Close nipped 3-unit)



⚠ WARNING

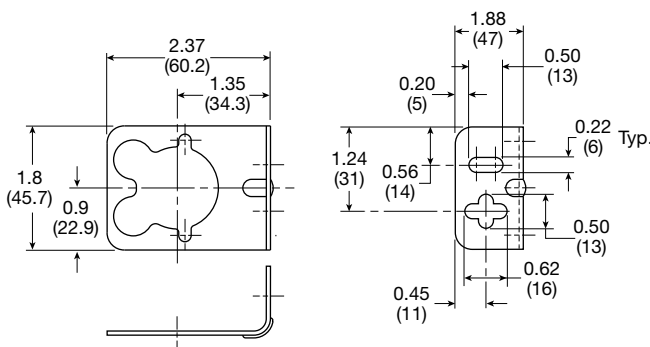
**Product rupture can cause serious injury.
Do not connect regulator to bottled gas.
Do not exceed Maximum primary pressure rating.**

Service kits

| | |
|---------------------------------|----------------|
| Mounting bracket, 14E, 14F, 14R | PS417BP |
| Mounting bracket, 04L | PS419 |

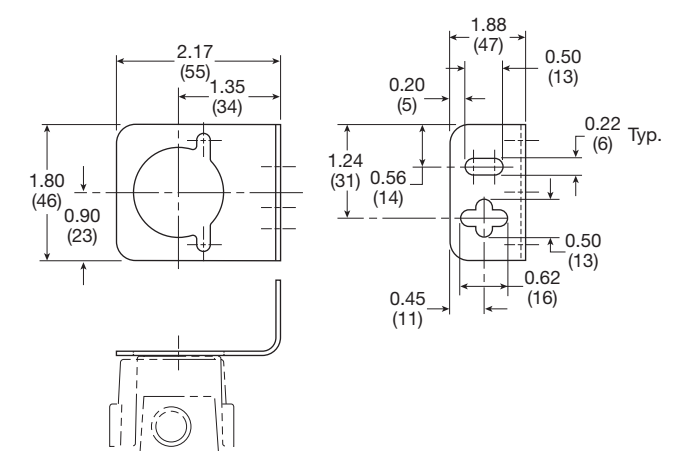
CAUTION:

REGULATOR PRESSURE ADJUSTMENT – The working range of knob adjustment is designed to permit outlet pressures within their full range. Pressure adjustment beyond this range is also possible because the knob is not a limiting device. This is a common characteristic of most industrial regulators, and limiting devices may be obtained only by special design. For best performance, regulated pressure should always be set by increasing the pressure up to the desired setting.



Inches (mm)

PS417BP - 10F, 14F, 14R, 14E
(Includes panel mount nut)



Inches (mm)

PS419 - 04L

D

14 Series
Products

Filters

Coalescers

Regulators

Filter /
Regulators

Lubricators

Combinations

D

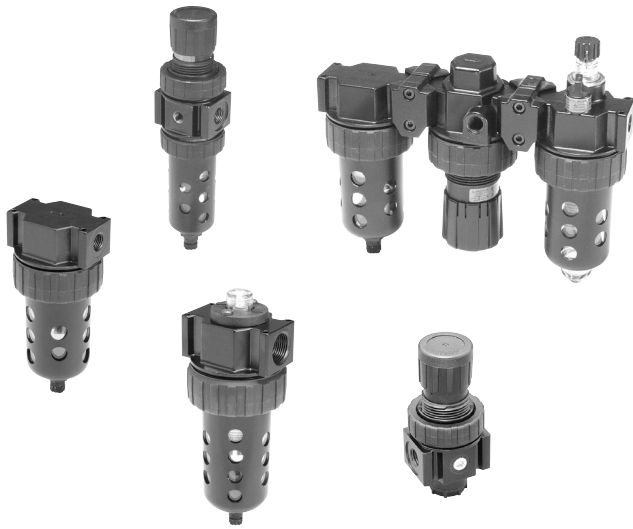
14 Series
Products



For inventory, lead times, and kit lookup, visit www.pdnplu.com

D14

Parker Hannifin Corporation
Pneumatic Division
Richland, Michigan
www.parker.com/pneumatics



Air Preparation Products
Prep-Air® II Products

Particulate Filters

| | |
|--------------|-------|
| 05F Economy | E2-E3 |
| 06F Compact | E4-E6 |
| 07F Standard | E7-E8 |

Coalescing Filters

| | |
|--------------|---------|
| 15F Economy | E9-E10 |
| 11F Compact | E11-E12 |
| 12F Standard | E13-E14 |

Regulators

| | |
|--------------|---------|
| 05R Economy | E15-E16 |
| 06R Compact | E17-E18 |
| 07R Standard | E19-E20 |

Pilot Controlled Regulators

| | |
|--------------|---------|
| 11R Economy | E21-E22 |
| 12R Standard | E23-E24 |

Filter / Regulators

| | |
|----------------|---------|
| 05E Economy | E25-E26 |
| 06E Compact | E27-E29 |
| 07E Standard | E30-E32 |
| 12E Coalescing | E33-E34 |

Lubricators

| | |
|--------------------------|---------|
| 15L Economy, Micro-Mist | E35-E36 |
| 16L Compact, Micro-Mist | E37-E38 |
| 17L Standard, Micro-Mist | E39-E40 |
| 06L Compact, Mist | E41-E42 |
| 07L Standard, Mist | E43-E44 |

Combinations

| | |
|--|---------|
| 06 Compact & 07 Standard, Close Nipped | E45-E46 |
| 06 Compact & 07 Standard, Modular | E47-E48 |
| Accessories | E49-E50 |

Accessories

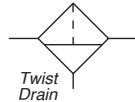
| | |
|-----------------------|-----|
| Mounting Bracket Kits | E51 |
|-----------------------|-----|



Economy Particulate Filters

05F Particulate Filters – Economy

- Excellent water removal efficiency
- Unique deflector plate and shroud creates a swirling of the air stream ensuring maximum water and dirt separation
- Large filter element surface guarantees low pressure drop and increased element life
- 40 micron filter element standard
- Shown with recommended metal bowl guard
- 1/4" & 3/8" ports (NPT)



Prep-Air® II
Products



Filters

Coalescers

Regulators

Filter /
Regulators

Lubricators

Combinations

Accessories

Operating information

| | | |
|------------------------|------|----------------------------------|
| Supply pressure (max): | | |
| Plastic bowl | | 0 to 150 psig (0 to 10.3 bar) |
| Auto pulse drain | | 10 to 150 psig (0.7 to 10.3 bar) |
| Operating temperature: | | |
| Plastic bowl | | 32°F to 125°F (0°C to 52°C) |
| Flow capacity†: | | |
| High flow | 1/4" | 54 scfm (25.5 dm³/s, ANR) |
| | 3/8" | 70 scfm (33 dm³/s, ANR) |
| Bowl capacity: | | 2.0 oz. |
| Sump capacity: | | 0.9 oz. |
| Weight: | | 1.2 lb (0.54 kg) |

† scfm = Standard cubic feet per minute at 90 psig inlet and 5 psig pressure drop.

Ordering Information:

| Port Size | Description ‡ | Part Number |
|-----------|---|----------------|
| 1/4" | Poly Bowl, Metal Bowl Guard, Twist Drain, 40 Micron | 05F12AA |
| 3/8" | Poly Bowl, Metal Bowl Guard, Twist Drain, 40 Micron | 05F22AA |

‡ For polycarbonate bowl and sight dome, see caution in Engineering Section A.

Most popular.



For inventory, lead times, and kit lookup, visit www.pdnplu.com

Economy Particulate Filters

Air Preparation Products Prep-Air® II Series

Material Specifications

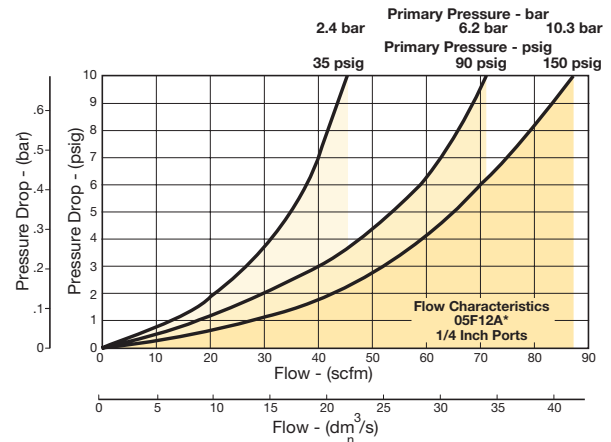
| | |
|----------------------------|--------------------|
| Body | Zinc |
| Transparent bowl | Polycarbonate |
| Bowl guards | Steel |
| Collar | Plastic |
| Deflector, shroud & baffle | Plastic |
| Drain | Plastic |
| Element | Plastic |
| Adsorber (optional) | Activated charcoal |
| Seals | Nitrile |
| Sight gauge | Polyamide (nylon) |

Repair and Service Kits

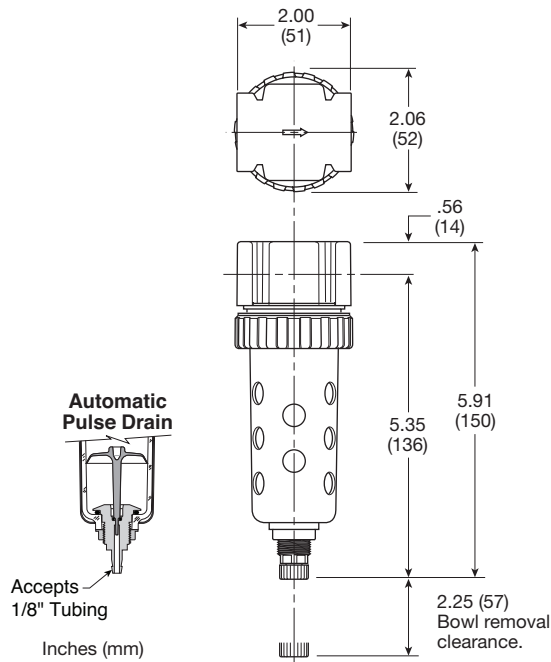
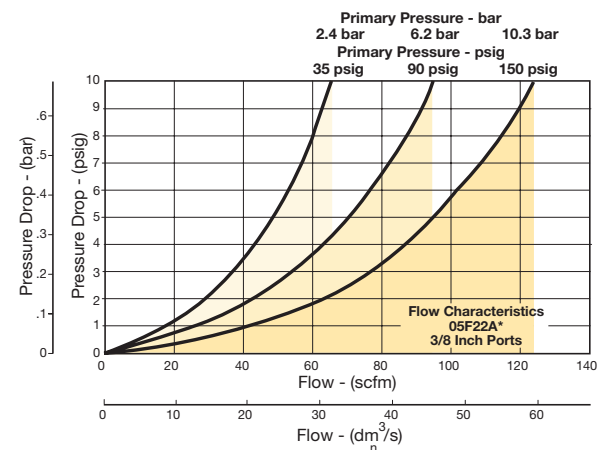
| | |
|------------------------------|---------------|
| Bowl guard kit | PS905P |
| Poly bowl / auto pulse drain | PS995P |
| Poly bowl / twist drain | PS932P |
| Auto pulse drain | PS998P |
| Twist drain | PS512P |
| 40 micron element | PS901P |
| Adsorber | PS931P |
| Mounting bracket kit | PS943P |
| Sight gauge kit | PS914P |

Flow Charts

05F 1/4" Particulate Filter



05F 3/8" Particulate Filter

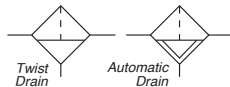


| |
|-----------------------|
| Prep-Air® II Products |
| Filters |
| Coalescers |
| Regulators |
| Filter / Regulators |
| Lubricators |
| Combinations |
| Accessories |

Compact Particulate Filters

06F Particulate Filters – Compact

- Excellent water removal efficiency
- Unique deflector plate and shroud creates a swirling of the air stream ensuring maximum water and dirt separation
- Large filter element surface guarantees low pressure drop and increased element life
- Optional automatic float drain available
- Shown with recommended metal bowl guard
- 1/4", 3/8", 1/2" ports – NPT



Operating information

| | |
|--|----------------------------------|
| Supply pressure (max): | |
| Without DPI | 0 to 150 psig (0 to 10.3 bar) |
| Plastic bowl | 0 to 250 psig (0 to 17.2 bar) |
| Metal bowl | |
| With DPI | 0 to 150 psig (0 to 10.3 bar) |
| Auto float drain | 15 to 250 psig (1.0 to 17.2 bar) |
| Operating temperature: | |
| Plastic bowl | 32°F to 125°F (0°C to 52°C) |
| Metal bowl | 32°F to 175°F (0°C to 80°C) |
| With DPI | 32°F to 125°F (0°C to 52°C) |
| Flow capacity†: | |
| High flow | 1/4" 53 scfm (25 dm³/s, ANR) |
| | 3/8" 80 scfm (37.8 dm³/s, ANR) |
| | 1/2" 85 scfm (40.1 dm³/s, ANR) |
| Bowl capacity: | 4.4 oz. |
| Sump capacity: | 1.75 oz. |
| Weight: | 1.4 lb (0.6 kg) |
| † scfm = Standard cubic feet per minute at 90 psig inlet and 5 psig pressure drop. | |
| DPI = Differential pressure indicator | |

Ordering Information:

| Port Size | Description ‡ | Part Number |
|-----------|--|----------------|
| 1/4" | Poly Bowl, Metal Bowl Guard, Twist Drain, 40 Micron | 06F12AC |
| 1/4" | Poly Bowl, Metal Bowl Guard, Twist Drain, 5 Micron | 06F12BC |
| 1/4" | Metal Bowl, Twist Drain, 40 Micron | 06F13AC |
| 1/4" | Metal Bowl, Sight Gauge, Twist Drain, 40 Micron | 06F14AC |
| 1/4" | Poly Bowl, Metal Bowl Guard, Auto Float Drain, 40 Micron | 06F16AC |
| 1/4" | Poly Bowl, Metal Bowl Guard, Auto Float Drain, 5 Micron | 06F16BC |
| 1/4" | Metal Bowl, Auto Float Drain, 40 Micron | 06F17AC |
| 1/4" | Metal Bowl, Auto Float Drain, 5 Micron | 06F17BC |
| 1/4" | Metal Bowl, Sight Gauge, Auto Float Drain, 40 Micron | 06F18AC |
| 1/4" | Metal Bowl, Sight Gauge, Auto Float Drain, 5 Micron | 06F18BC |
| 3/8" | Poly Bowl, Metal Bowl Guard, Twist Drain, 40 Micron | 06F22AC |
| 3/8" | Poly Bowl, Metal Bowl Guard, Twist Drain, 5 Micron | 06F22BC |

Continued on next page

Prep-Air® II
Products



Filters

Coalescers

Regulators

Filter /
Regulators

Lubricators

Combinations

Accessories



For inventory, lead times, and kit lookup, visit www.pdnplu.com

Ordering Information cont.:

| Port Size | Description ‡ | Part Number |
|-----------|--|-----------------|
| 3/8" | Metal Bowl, Sight Gauge, Twist Drain, 5 Micron | 06F24BC |
| 3/8" | Poly Bowl, Metal Bowl Guard, Auto Float Drain, 40 Micron | 06F26AC |
| 3/8" | Poly Bowl, Metal Bowl Guard, Auto Float Drain, 5 Micron | 06F26BC |
| 3/8" | Metal Bowl, Auto Float Drain, 5 Micron | 06F27BC |
| 3/8" | Metal Bowl, Sight Gauge, Auto Float Drain, 5 Micron | 06F28BC |
| 1/2" | Poly Bowl, Metal Bowl Guard, Twist Drain, 40 Micron | 06F32AC |
| 1/2" | Poly Bowl, Metal Bowl Guard, Twist Drain, 5 Micron | 06F32BC |
| 1/2" | Metal Bowl, Twist Drain, 40 Micron | 06F33AC |
| 1/2" | Metal Bowl, Sight Gauge, Twist Drain, 40 Micron | 06F34AC |
| 1/2" | Metal Bowl, Sight Gauge, Twist Drain, 5 Micron | 06F34BC |
| 1/2" | Poly Bowl, Metal Bowl Guard, Auto Float Drain, 40 Micron | 06F36AC |
| 1/2" | Poly Bowl, Metal Bowl Guard, Auto Float Drain, 5 Micron | 06F36BC |
| 1/2" | Metal Bowl, Sight Gauge, Auto Float Drain, 40 Micron | 06F38AC |
| 1/2" | Metal Bowl, Sight Gauge, Auto Float Drain, 5 Micron | 06F38BC |
| G3/8" | Poly Bowl, Metal Bowl Guard, Twist Drain, 40 Micron | 06F22AC1 |
| G1/2" | Poly Bowl, Metal Bowl Guard, Twist Drain, 5 Micron | 06F32BC1 |
| G1/2" | Metal Bowl, Sight Gauge, Twist Drain, 5 Micron | 06F34BC1 |

‡ For polycarbonate bowl and sight dome, see caution in Engineering Section A.

 Most popular.



For inventory, lead times, and kit lookup, visit www.pdnplu.com



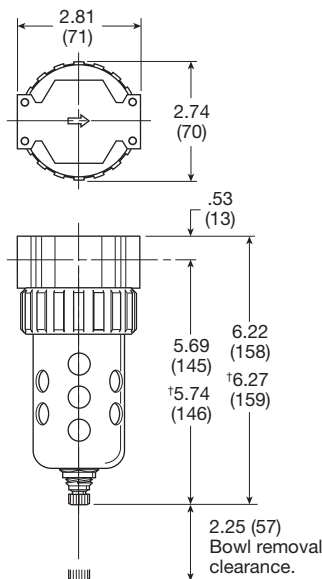
Compact Particulate Filters

Material Specifications

| | |
|--|--------------------|
| Body | Zinc |
| Transparent bowl | Polycarbonate |
| Metal bowl with or without sight gauge | Zinc |
| Bowl Guards | Steel |
| Collar | Plastic |
| Deflector, shroud & baffle | Plastic |
| Twist drain - body & nut | Plastic |
| Auto float drain - housing, float | Plastic |
| Auto float drain - seals | Nitrile |
| Auto float drain - springs, push rod | Stainless steel |
| Element | Plastic |
| Adsorber (optional) | Activated charcoal |
| Seals | Nitrile |
| Sight gauge | Polyamide |

Repair and Service Kits

| | |
|---|---------------|
| Bowl guard kit | PS705P |
| Poly bowl / auto float drain kit | PS722P |
| Poly bowl / twist drain kit | PS732P |
| Metal bowl / auto float drain kit | PS726P |
| Metal bowl / twist drain kit | PS734P |
| Metal bowl / sight gauge / auto float drain kit | PS723P |
| Metal bowl / sight gauge / twist drain kit | PS735P |
| Auto float drain kit | PS506P |
| Twist drain kit | PS512P |
| 40 micron element | PS701P |
| 5 micron element | PS702P |
| Adsorber element | PS731P |
| Mounting bracket kit | PS743P |
| Sight gauge kit | PS914P |

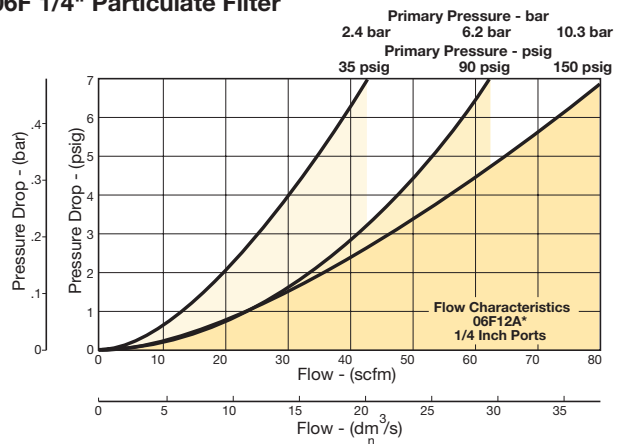


† With auto float drain
Inches (mm)

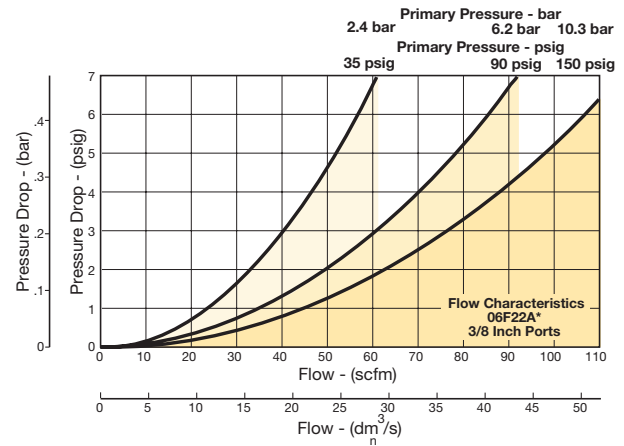
Air Preparation Products Prep-Air® II Series

Flow Charts

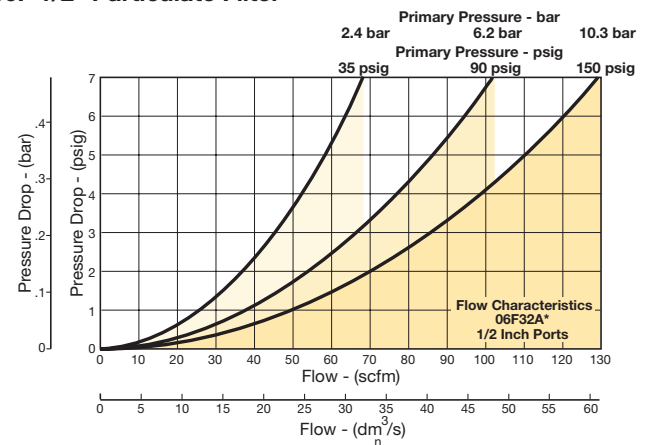
06F 1/4" Particulate Filter



06F 3/8" Particulate Filter



06F 1/2" Particulate Filter



Prep-Air® II
Products



Filters

Coalescers

Regulators

Filter /
Regulators

Lubricators

Combinations

Accessories

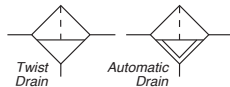


For inventory, lead times, and kit lookup, visit www.pdnplu.com

Standard Particulate Filters

07F Particulate Filters – Standard

- Excellent water removal efficiency
- Unique deflector plate and shroud creates a swirling of the air stream ensuring maximum water and dirt separation
- Large filter element surface guarantees low pressure drop and increased element life
- Optional automatic float drain available
- Shown with recommended metal bowl guard
- 1/2", 3/4" ports – NPT



Prep-Air® II
 Products



Filters

Coalescers

Regulators

Filter /
 Regulators

Lubricators

Combinations

Accessories

Ordering Information:

| Port Size | Description † | Part Number |
|-----------|--|----------------|
| 1/2" | Poly Bowl, Metal Bowl Guard, Twist Drain, 40 Micron | 07F32AC |
| 1/2" | Poly Bowl, Metal Bowl Guard, Twist Drain, 5 Micron | 07F32BC |
| 1/2" | Metal Bowl, Twist Drain, 40 Micron | 07F33AC |
| 1/2" | Metal Bowl, Sight Gauge, Twist Drain, 40 Micron | 07F34AC |
| 1/2" | Metal Bowl, Sight Gauge, Twist Drain, 5 Micron | 07F34BC |
| 1/2" | Poly Bowl, Metal Bowl Guard, Auto Float Drain, 40 Micron | 07F36AC |
| 1/2" | Poly Bowl, Metal Bowl Guard, Auto Float Drain, 5 Micron | 07F36BC |
| 1/2" | Metal Bowl, Auto Float Drain, 40 Micron | 07F37AC |
| 1/2" | Metal Bowl, Sight Gauge, Auto Float Drain, 40 Micron | 07F38AC |
| 1/2" | Metal Bowl, Sight Gauge, Auto Float Drain, 5 Micron | 07F38BC |
| 3/4" | Poly Bowl, Metal Bowl Guard, Twist Drain, 40 Micron | 07F42AC |
| 3/4" | Poly Bowl, Metal Bowl Guard, Twist Drain, 5 Micron | 07F42BC |
| 3/4" | Metal Bowl, Sight Gauge, Twist Drain, 40 Micron | 07F44AC |
| 3/4" | Metal Bowl, Sight Gauge, Twist Drain, 5 Micron | 07F44BC |
| 3/4" | Poly Bowl, Metal Bowl Guard, Auto Float Drain, 40 Micron | 07F46AC |
| 3/4" | Poly Bowl, Metal Bowl Guard, Auto Float Drain, 5 Micron | 07F46BC |
| 3/4" | Metal Bowl, Auto Float Drain, 40 Micron | 07F47AC |
| 3/4" | Metal Bowl, Sight Gauge, Auto Float Drain, 40 Micron | 07F48AC |

† For polycarbonate bowl and sight dome, see caution in Engineering Section A.

| Operating information | | |
|--|------|---|
| Supply pressure (max): | | |
| Without DPI | | |
| Plastic bowl | | 0 to 150 psig (0 to 10.3 bar) |
| Metal bowl | | 0 to 250 psig (0 to 17.2 bar) |
| With DPI | | |
| Auto float drain | | 0 to 150 psig (0 to 10.3 bar) 15 to 250 psig (1.0 to 17.2 bar) |
| Operating temperature: | | |
| Plastic bowl | | 32°F to 125°F (0°C to 52°C) |
| Metal bowl | | 32°F to 175°F (0°C to 80°C) |
| With DPI | | 32°F to 125°F (0°C to 52°C) |
| Flow capacity†: | | |
| High flow | 1/2" | 130 scfm (61.4 dm ³ /s, ANR) |
| | 3/4" | 145 scfm (68.4 dm ³ /s, ANR) |
| Bowl capacity: | | 7.2 oz. |
| Sump capacity: | | 2.8 oz. |
| Weight: | | 2.2 lb (1.0 kg) |
| † scfm = Standard cubic feet per minute at 90 psig inlet and 5 psig pressure drop. | | |
| DPI = Differential pressure indicator | | |

Most popular.



For inventory, lead times, and kit lookup, visit www.pdnplu.com

Standard Particulate Filters

Material Specifications

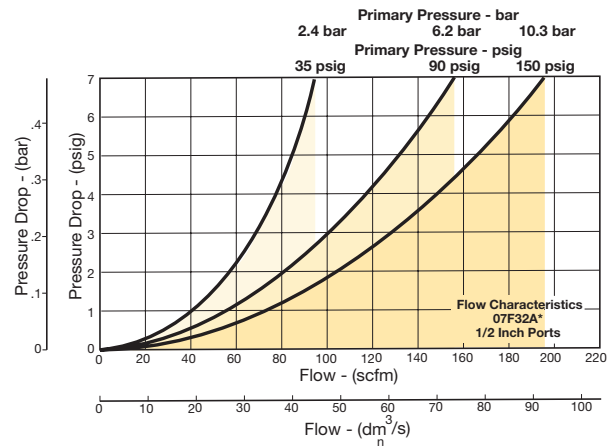
| | |
|--|--------------------|
| Body | Zinc |
| Transparent bowl | Polycarbonate |
| Metal bowl with or without sight gauge | Zinc |
| Bowl guards | Steel |
| Collar | Plastic or metal |
| Deflector, shroud & baffle | Plastic |
| Twist drain, body & nut | Plastic |
| Auto float drain – housing, float | Plastic |
| Auto float drain – seals | Nitrile |
| Auto float drain – springs, push rod | Stainless steel |
| Element | Plastic |
| Adsorber element (optional) | Activated charcoal |
| Seals | Nitrile |
| Sight gauge | Polyamide |

Air Preparation Products

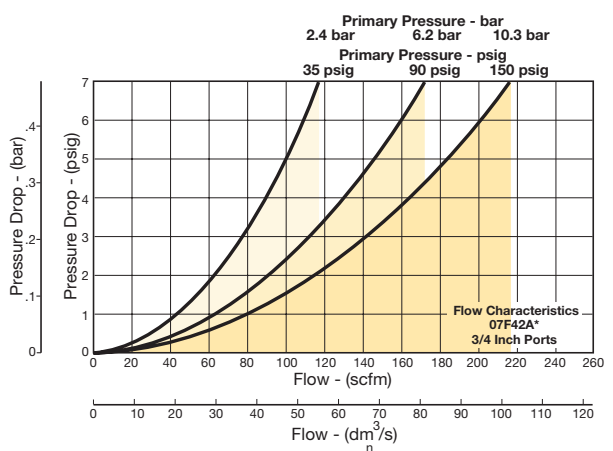
Prep-Air® II Series

Flow Charts

07F 1/2" Particulate Filter



07F 3/4" Particulate Filter



Repair and Service Kits

| | |
|--|--------|
| Bowl guard kit | PS805P |
| Poly bowl / auto float drain kit | PS822P |
| Poly bowl / twist drain kit | PS832P |
| Metal bowl / auto float drain kit | PS826P |
| Metal bowl / twist drain kit | PS834P |
| Metal bowl / sight gauge / auto drain kit | PS823P |
| Metal bowl / sight gauge / twist drain kit | PS835P |
| Auto float drain kit | PS506P |
| Twist drain kit | PS512P |
| 40 micron element | PS801P |
| 5 micron element | PS802P |
| Adsorber element | PS831P |
| Mounting bracket kit | PS843P |
| Sight gauge kit | PS914P |

Prep-Air® II Products



Filters

Coalescers

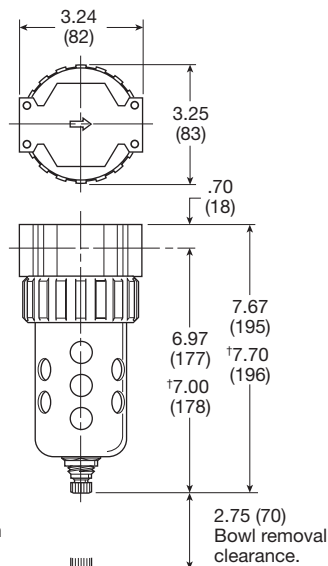
Regulators

Filter / Regulators

Lubricators

Combinations

Accessories

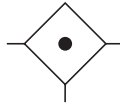


For inventory, lead times, and kit lookup, visit www.pdnplu.com

Economy Coalescing Filters

15F Coalescing Filters – Economy

- Removes liquid aerosols and sub-micron particles.
- Liquids gravitate to the bottom of the element and will not re-enter the airstream.
- Oil free air for critical applications, such as air gauging and pneumatic instrumentation and controls.
- Interchangeable twist and automatic pulse drains.
- Differential pressure indicator standard.
- 1/4" & 3/8" ports – (NPT)



| Operating information | |
|--|----------------------------------|
| Supply pressure (max): | |
| Plastic bowl | |
| Without DPI | 0 to 150 psig (0 to 10.3 bar) |
| With DPI | 0 to 150 psig (0 to 10.3 bar) |
| Auto pulse drain | 10 to 150 psig (0.7 to 10.3 bar) |
| Operating temperature: | |
| Plastic bowl | |
| Without DPI | 32°F to 125°F (0°C to 52°C) |
| With DPI | 32°F to 125°F (0°C to 52°C) |
| Flow capacity†: | Grade 6 |
| | 1/8" 30 scfm (14.2 dm³/s, ANR) |
| | 1/4" 30 scfm (14.2 dm³/s, ANR) |
| Bowl capacity: | 2.0 oz. |
| Sump capacity: | 0.9 oz. |
| Weight: | 1.2 lb (0.54 kg) |
| † scfm = Standard cubic feet per minute at 90 psig inlet and 5 psig pressure drop. | |
| DPI = Differential pressure indicator | |

Ordering Information:

| Port Size | Description ‡ | Part Number |
|-----------|--|----------------|
| 1/4" | Poly Bowl, Metal Bowl Guard, Twist Drain, Grade 6 (0.01) | 15F12EA |
| 3/8" | Poly Bowl, Metal Bowl Guard, Twist Drain, Grade 6 (0.01) | 15F22EA |

‡ For polycarbonate bowl, see caution in Engineering Section A.

 Most popular.



For inventory, lead times, and kit lookup, visit www.pdnplu.com

| |
|---|
| Prep-Air® II Products |
|  |
| Filters |
| Coalescers |
| Regulators |
| Filter / Regulators |
| Lubricators |
| Combinations |
| Accessories |

Economy Coalescing Filters

Material Specifications

| | |
|------------------|----------------------------------|
| Body | Zinc |
| Transparent bowl | Polycarbonate |
| Bowl guards | Steel |
| Collar | Plastic |
| Drain | Plastic |
| Element | Borosilicate & felt glass fibers |
| Seals | Nitrile |
| Sight gauge, DPI | Polyamide (nylon) |

Repair and Service Kits

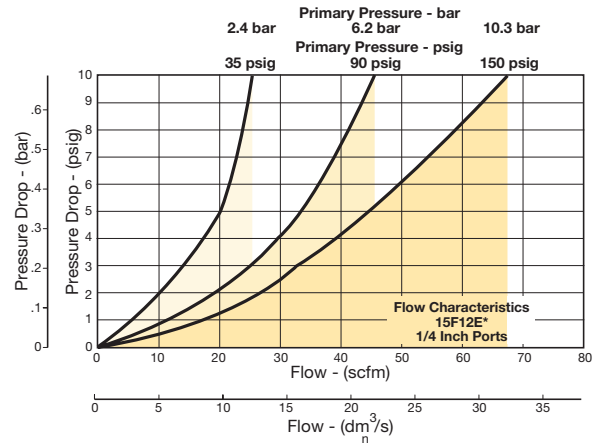
| | |
|---|------------------|
| Bowl Guard Kit | PS905P |
| Poly bowl / automatic pulse drain kit | PS995P |
| Poly bowl / twist drain kit | PS932P |
| DPI replacement kit | PS781P |
| Electronic DPI replacement kit | PS764 |
| Automatic pulse drain kit | PS998P |
| Twist drain kit | PS512P |
| Electrical connector: 15mm, 3-pin DIN, 6 ft. cord | PS2932JBP |
| Filter element kits – Grade 6 (standard) | PS924P |
| Mounting bracket kit | PS943P |
| Sight gauge kit | PS914P |

Air Preparation Products Prep-Air® II Series

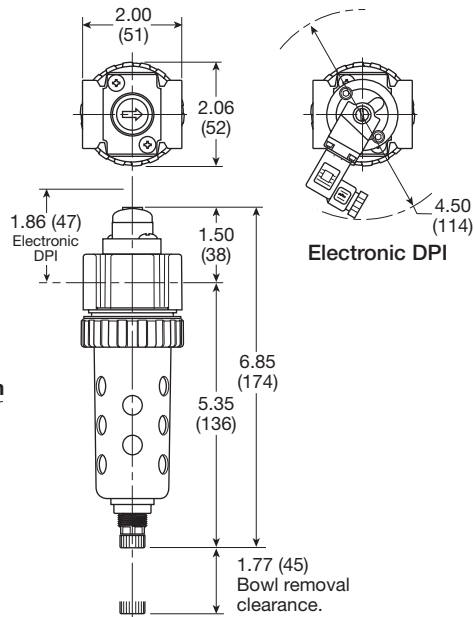
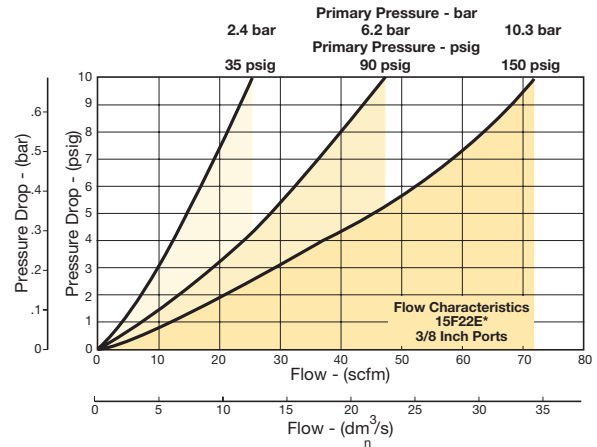
Flow Charts

Grade 6 Element

15F 1/4" Coalescing Filter



15F 3/8" Coalescing Filter



Inches (mm)

Prep-Air® II
Products



Filters

Coalescers

Regulators

Filter /
Regulators

Lubricators

Combinations

Accessories

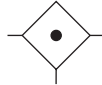


For inventory, lead times, and kit lookup, visit www.pdnplu.com

Compact Coalescing Filters

11F Coalescing Filters – Compact

- Removes liquid aerosols and sub-micron particles.
- Liquids gravitate to the bottom of the element and will not re-enter the airstream
- Oil free air for critical applications, such as air gauging and pneumatic instrumentation and controls.
- Interchangeable twist and automatic float drains.
- Differential pressure indicator standard.
- Shown with recommended metal bowl guard.
- 1/4", 3/8", 1/2" ports (NPT)



Operating information

| | | |
|---|---------------|---|
| Supply pressure (max): | | |
| Without DPI | | |
| Plastic bowl | | 0 to 150 psig (0 to 10.3 bar) |
| Metal bowl | | 0 to 250 psig (0 to 17.2 bar) |
| With DPI | | |
| | | 0 to 150 psig (0 to 10.3 bar) |
| Auto float drain | | 15 to 250 psig (1.0 to 17.2 bar) |
| Operating pressure drop: | | |
| Normal | | 2 psig (0.14 bar) |
| Max recommended | | 10 psig (0.7 bar) |
| (Element should be replaced) | | |
| Minimum recommended flow: 20% nominal rating of element | | |
| Operating temperature: | | |
| Plastic bowl | | 32°F to 125°F (0°C to 52°C) |
| Metal bowl | | 32°F to 175°F (0°C to 80°C) |
| With DPI | | 32°F to 125°F (0°C to 52°C) |
| Flow capacity†: | Grade 6 | 1/4" 45 scfm (21 dm ³ /s, ANR) |
| | (0.01 micron) | 3/8" 48 scfm (23 dm ³ /s, ANR) |
| | | 1/2" 65 scfm (31 dm ³ /s, ANR) |
| | Grade 10 | 1/4" 60 scfm (28.3 dm ³ /s, ANR) |
| | (1.0 micron) | 3/8" 72 scfm (34 dm ³ /s, ANR) |
| | | 1/2" 95 scfm (45 dm ³ /s, ANR) |
| Bowl capacity: | | 4.4 oz. |
| Sump capacity: | | 1.75 oz. |
| Weight: | | 1.5 lb (0.7 kg) |
| † scfm = Standard cubic feet per minute at 90 psig inlet and 5 psig pressure drop. DPI = Differential pressure indicator | | |

Ordering Information:

| Port Size | Description ‡ | Part Number |
|-----------|---|-----------------|
| 1/4" | Poly Bowl, Metal Bowl Guard, Twist Drain, Grade 6 (0.01) | 11F12EC |
| 1/4" | Metal Bowl, Twist Drain, Grade 6 (0.01), W/Out Dpi | 11F13ECN |
| 1/4" | Metal Bowl, Twist Drain, Grade 10 (1.0), W/Out Dpi | 11F13HCN |
| 1/4" | Metal Bowl, Sight Gauge, Twist Drain, Grade 6 (0.01) | 11F14EC |
| 1/4" | Poly Bowl, Metal Bowl Guard, Auto Float Drain, Grade 6 (0.01) | 11F16EC |
| 1/4" | Metal Bowl, Sight Gauge, Auto Float Drain, Grade 6 (0.01) | 11F18EC |
| 3/8" | Poly Bowl, Metal Bowl Guard, Twist Drain, Grade 6 (0.01) | 11F22EC |
| 3/8" | Poly Bowl, Metal Bowl Guard, Auto Float Drain, Grade 6 (0.01) | 11F26EC |
| 3/8" | Metal Bowl, Auto Float Drain, Grade 6 (0.01) | 11F27EC |
| 3/8" | Metal Bowl, Sight Gauge, Auto Float Drain, Grade 6 (0.01) | 11F28EC |
| 1/2" | Poly Bowl, Metal Bowl Guard, Twist Drain, Grade 6 (0.01) | 11F32EC |
| 1/2" | Metal Bowl, Sight Gauge, Twist Drain, Grade 6 (0.01) | 11F34EC |
| 1/2" | Poly Bowl, Metal Bowl Guard, Auto Float Drain, Grade 6 (0.01) | 11F36EC |
| 1/2" | Metal Bowl, Auto Float Drain, Grade 6 (0.01) | 11F37EC |

‡ For polycarbonate bowl, see caution in Engineering Section A.

Most popular.



For inventory, lead times, and kit lookup, visit www.pdnplu.com



Compact Coalescing Filters

Material Specifications

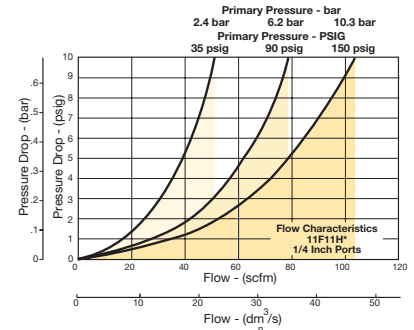
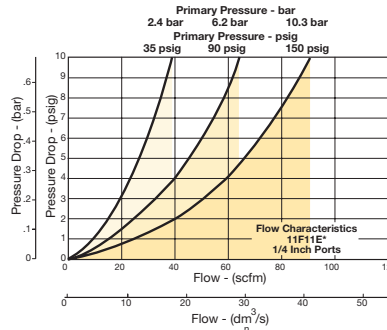
| | |
|--|----------------------------------|
| Body | Zinc |
| Transparent bowl | Polycarbonate |
| Metal bowl | Zinc |
| Bowl guard | Steel |
| Collar | Plastic |
| Twist drain, body & nut | Plastic |
| Automatic float drain, housing, float | Plastic |
| Automatic float drain, seals | Nitrile |
| Automatic float drain, springs, push rod | Stainless steel |
| Element | Borosilicate & felt glass fibers |
| Seals | Nitrile |
| Sight gauge | Polyamide |

Flow Charts

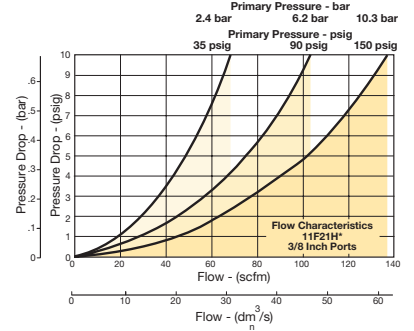
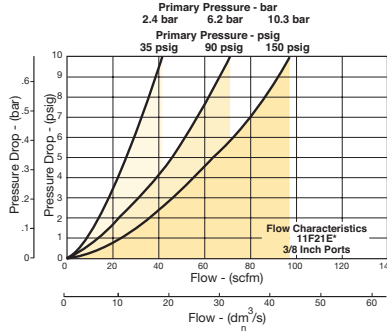
Grade 6

Grade 10

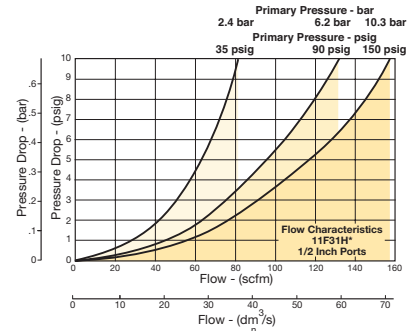
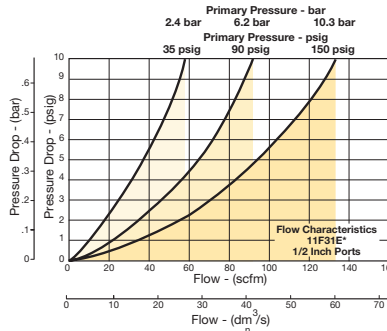
11F 1/4" Coalescing Filter



11F 3/8" Coalescing Filter

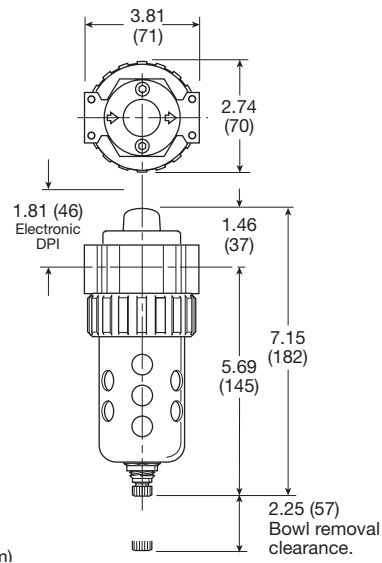


11F 1/2" Coalescing Filter



Repair and Service Kits

| | |
|--|------------------|
| Bowl guard kit | PS705P |
| Poly bowl / automatic float drain kit | PS722P |
| Poly bowl / twist drain kit | PS732P |
| Metal bowl / automatic float drain kit | PS726P |
| Metal bowl / twist drain kit | PS734P |
| Metal bowl / sight gauge / automatic float drain kit | PS723P |
| Metal bowl / sight gauge / twist drain kit | PS735P |
| DPI replacement kit | PS781P |
| Automatic float drain kit | PS506P |
| Twist drain kit | PS512P |
| Electrical connector: 15mm, 3-pin DIN, 6 ft. cord | PS2932JBP |
| Grade 6 element (standard) | PS724P |
| Grade 10 element (optional) | PS730P |
| Mounting bracket kit | PS743P |
| Sight gauge kit | PS914P |



Prep-Air® II
Products



Filters

Coalescers

Regulators

Filter /
Regulators

Lubricators

Combinations

Accessories

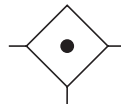


For inventory, lead times, and kit lookup, visit www.pdnplu.com

Standard Coalescing Filters

12F Coalescing Filters – Standard

- Removes liquid aerosols and sub-micron particles
- Liquids gravitate to the bottom of the element and will not re-enter the airstream
- Oil free air for critical applications, such as air gauging and pneumatic instrumentation and controls
- Interchangeable twist and automatic float drains
- Differential pressure indicator standard
- Shown with recommended metal bowl guard
- 1/2", 3/4" ports (NPT)



| Operating information | | |
|---|----------|--|
| Supply pressure (max): | | |
| Without DPI | | |
| Plastic bowl | | 0 to 150 psig (0 to 10.3 bar) |
| Metal bowl | | 0 to 250 psig (0 to 17.2 bar) |
| With DPI | | |
| | | 0 to 150 psig (0 to 10.3 bar) |
| Auto float drain | | 15 to 250 psig (1.0 to 17.2 bar) |
| Operating pressure drop: | | |
| Normal | | 2 psig (0.14 bar) |
| Max recommended | | 10 psig (0.7 bar) |
| (Element should be replaced) | | |
| Minimum recommended flow: | | 20% nominal rating of element |
| Operating temperature: | | |
| Plastic bowl | | 32°F to 125°F (0°C to 52°C) |
| Metal bowl | | 32°F to 175°F (0°C to 80°C) |
| With DPI | | 32°F to 125°F (0°C to 52°C) |
| Flow capacity†: | Grade 6 | 1/2" 75 scfm (35.4 dm³/s, ANR) 3/4" 80 scfm (37.7 dm³/s, ANR) |
| | Grade 10 | 1/2" 125 scfm (59 dm³/s, ANR) 3/4" 160 scfm (75.5 dm³/s, ANR) |
| Bowl capacity: | | 7.2 oz. |
| Sump capacity: | | 2.8 oz. |
| Weight: | | 2.4 lb (1.1 kg) |
| † scfm = Standard cubic feet per minute at 90 psig inlet and 5 psig pressure drop. DPI = Differential pressure indicator | | |

Ordering Information:

| Port Size | Description † | Part Number |
|-----------|--|-----------------|
| 1/2" | Poly Bowl, Metal Bowl Guard, Twist Drain, Grade 6 (0.01) | 12F32EC |
| 1/2" | Poly Bowl, Metal Bowl Guard, Twist Drain, Grade 6 (0.01), W/Out Dpi | 12F32ECN |
| 1/2" | Poly Bowl, Metal Bowl Guard, Twist Drain, Grade 10 (1.0) | 12F32HC |
| 1/2" | Poly Bowl, Metal Bowl Guard, Twist Drain, Grade 10 (1.0), W/Out Dpi | 12F32HCN |
| 1/2" | Metal Bowl, Sight Gauge, Twist Drain, Grade 6 (0.01) | 12F34EC |
| 1/2" | Metal Bowl, Sight Gauge, Twist Drain, Grade 6 (0.01), W/Out Dpi | 12F34ECN |
| 1/2" | Poly Bowl, Metal Bowl Guard, Auto Float Drain, Grade 6 (0.01) | 12F36EC |
| 1/2" | Poly Bowl, Metal Bowl Guard, Auto Float Drain, Grade 6 (0.01), W/Out Dpi | 12F36ECN |
| 1/2" | Metal Bowl, Sight Gauge, Auto Float Drain, Grade 6 (0.01) | 12F38EC |
| 1/2" | Metal Bowl, Sight Gauge, Auto Float Drain, Grade 10 (1.0) | 12F38HC |
| 3/4" | Poly Bowl, Metal Bowl Guard, Twist Drain, Grade 6 (0.01) | 12F42EC |
| 3/4" | Poly Bowl, Metal Bowl Guard, Auto Float Drain, Grade 6 (0.01) | 12F46EC |
| 3/4" | Metal Bowl, Auto Float Drain, Grade 10 (1.0) | 12F47HC |
| 3/4" | Metal Bowl, Sight Gauge, Auto Float Drain, Grade 6 (0.01) | 12F48EC |

† For polycarbonate bowl, see caution in Engineering Section A.

Most popular.



For inventory, lead times, and kit lookup, visit www.pdnplu.com



Standard Coalescing Filters

Air Preparation Products Prep-Air® II Series

Material Specifications

| | |
|--|----------------------------------|
| Body | Zinc |
| Transparent bowl | Polycarbonate |
| Metal bowl with or without sight gauge | Zinc |
| Bowl guard | Steel |
| Collar | Plastic or metal |
| Twist drain, body & nut | Plastic |
| Automatic float drain, housing, float | Plastic |
| Automatic float drain, seals | Nitrile |
| Automatic float drain, springs, push rod | Stainless steel |
| Element | Borosilicate & felt glass fibers |
| Seals | Nitrile |
| Sight gauge | Polyamide |

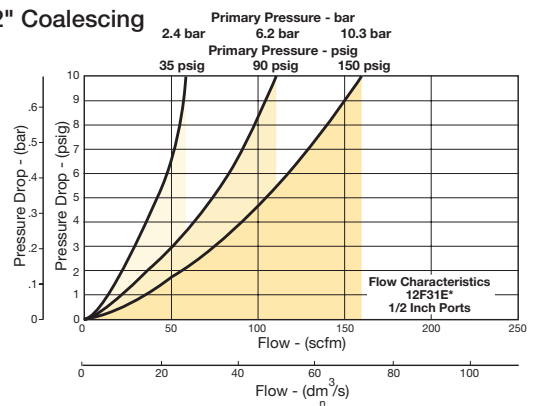
Repair and Service Kits

| | |
|--|------------------|
| Bowl guard kit | PS805P |
| Poly bowl / automatic float drain kit | PS822P |
| Poly bowl / twist drain kit | PS832P |
| Metal bowl / automatic float drain kit | PS826P |
| Metal bowl / twist drain kit | PS834P |
| Metal bowl / sight gauge / automatic float drain kit | PS823P |
| Metal bowl / sight gauge / twist drain kit | PS835P |
| DPI replacement kit | PS781P |
| Automatic float drain kit | PS506P |
| Twist drain kit | PS512P |
| Electrical connector: 15mm, 3-pin DIN, 6 ft. cord | PS2932JBP |
| Grade 6 element (standard) | PS824P |
| Grade 10 element (optional) | PS830P |
| Mounting bracket kit | PS843P |
| Sight gauge kit | PS914P |

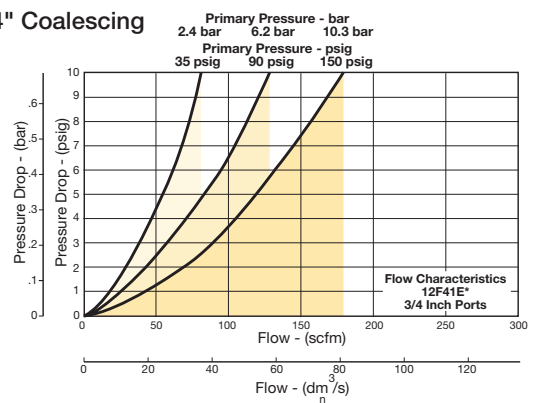
Flow Charts

Grade 6 Element

12F 1/2" Coalescing Filter

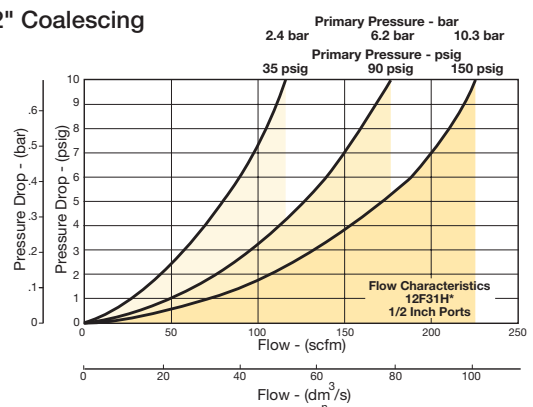


12F 3/4" Coalescing Filter

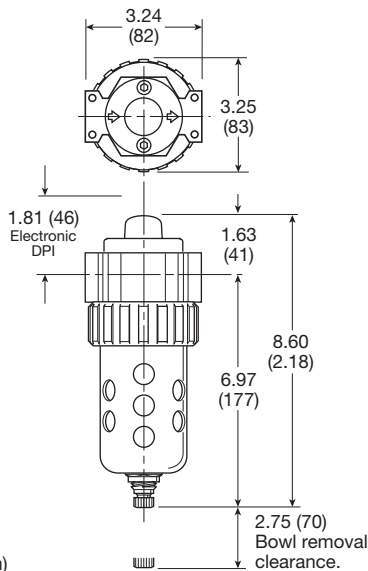
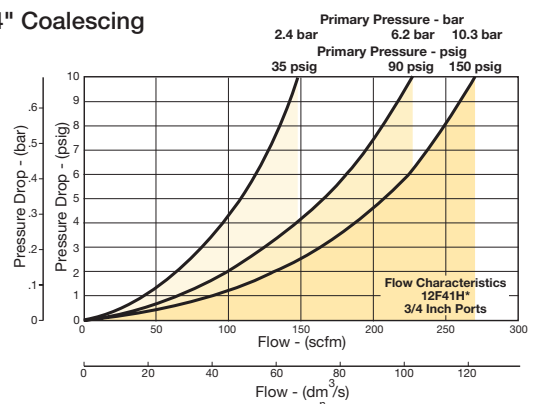


Grade 10 Element

12F 1/2" Coalescing Filter



12F 3/4" Coalescing Filter



Inches (mm)

Prep-Air® II
Products



Filters

Coalescers

Regulators

Filter /
Regulators

Lubricators

Combinations

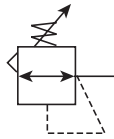
Accessories



For inventory, lead times, and kit lookup, visit www.pdnplu.com

05R Regulators – Economy

- Secondary aspiration plus balanced poppet provides quick response and accurate pressure regulation
- Rolling diaphragm for extended life
- Removable non-rising knob for panel mounting and tamper resistance
- Easily serviced
- Reverse flow
- 1/4", 3/8" ports (NPT)



Prep-Air® II
 Products



Filters

Coalescers

Regulators

Filter /
 Regulators

Lubricators

Combinations

Accessories

Operating information

| | | |
|-------------------------------|-------------------------------|--|
| Supply pressure (max): | 0 to 300 psig (0 to 20.7 bar) | |
| For secondary pressure ranges | see charts next page. | |
| Operating temperature: | 32°F to 175°F (0°C to 80°C) | |
| Low temperature | -4°F to 125°F (-20°C to 52°C) | |
| Flow capacity†: | | |
| High flow | 1/4" | 30 scfm (14.2 dm ³ /s, ANR) |
| | 3/8" | 40 scfm (18.9 dm ³ /s, ANR) |
| Gauge ports (2): | 1/4 inch | |
| Weight: | 1.1 lb (0.49 kg) | |

† scfm = Standard cubic feet per minute at 100 psig inlet, 90 psig no flow secondary setting and 10 psig pressure drop.

Ordering Information:

| Port Size | Description | Part Number |
|-----------|----------------------------------|-----------------|
| 1/4" | 2-125 psi w/out Gauge, Relieving | 05R113AD |
| 1/4" | 2-200 psi w/out Gauge, Relieving | 05R114AD |
| 3/8" | 2-125 psi w/out Gauge, Relieving | 05R213AD |
| 3/8" | 2-200 psi w/out Gauge, Relieving | 05R214AD |

NOTE: 1.53 Dia. (39 mm) hole required for panel mounting.

Most popular.



For inventory, lead times, and kit lookup, visit www.pdnplu.com

Material Specifications

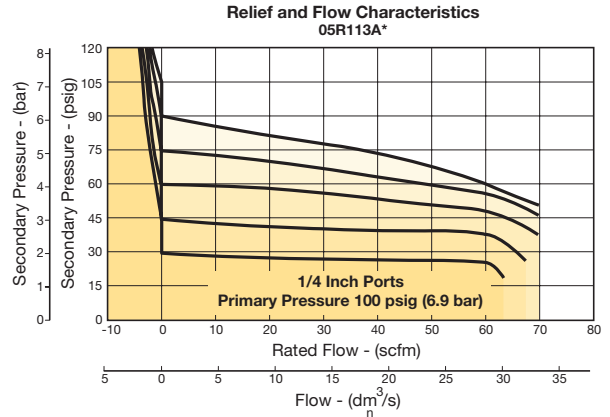
| | |
|----------------------------|---------|
| Adjusting stem | Brass |
| Bonnet | Plastic |
| Body | Zinc |
| Collar, Knob | Plastic |
| Diaphragm | Nitrile |
| Poppet & cap | Plastic |
| Seals | Nitrile |
| Springs – poppet & control | Steel |

Repair and Service Kits

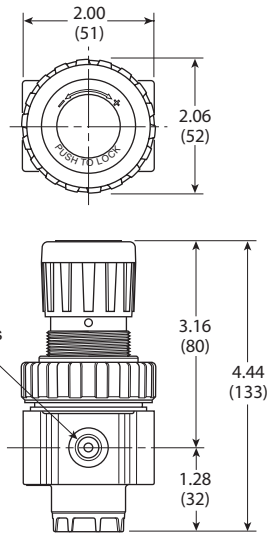
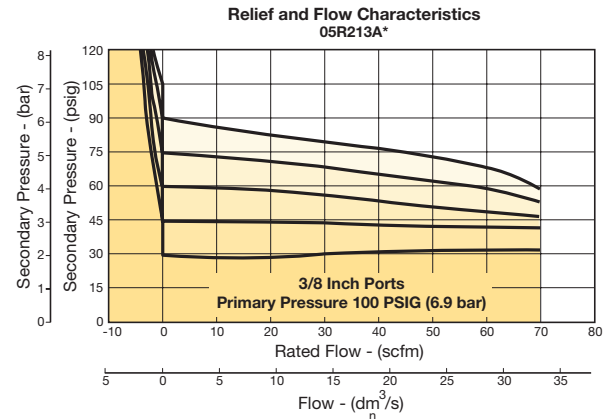
| | |
|--|--------------------|
| Bonnet assembly kit | PS915P |
| Control knob | P04420 |
| 1-1/2" dial face 30 psig (0 to 2.1 bar), gauge | K4515N14030 |
| 1-1/2" dial face 60 psig (0 to 4.1 bar), gauge | K4515N14060 |
| 1-1/2" dial face 160 psig (0 to 11.0 bar), gauge | K4515N14160 |
| 1-1/2" dial face 300 psig (0 to 20.7 bar), gauge | K4515N14300 |
| 2" dial face 60 psig (0 to 4.1 bar), gauge | K4520N14060 |
| 2" dial face 160 psig (0 to 11.0 bar), gauge | K4520N14160 |
| 2" dial face 300 psig (0 to 20.7 bar), gauge | K4520N14300 |
| Mounting bracket kit | PS963P |
| Panel mount nut – metal | PS964P |
| 1-30 psig spring | P04427 |
| 1-60 psig spring | P04426 |
| 2-125 psig spring | P04425 |
| 2-200 psig spring | P02934 |
| Relieving service kit | PS908P |

Flow Charts

05R 1/4" Regulator



05R 3/8" Regulator



Inches (mm)

WARNING

Product rupture can cause serious injury.
 Do not connect regulator to bottled gas.
 Do not exceed Maximum primary pressure rating.

CAUTION:
REGULATOR PRESSURE ADJUSTMENT – The working range of knob adjustment is designed to permit outlet pressures within their full range. Pressure adjustment beyond this range is also possible because the knob is not a limiting device. This is a common characteristic of most industrial regulators, and limiting devices may be obtained only by special design. For best performance, regulated pressure should always be set by increasing the pressure up to the desired setting.

Prep-Air® II
 Products



Filters

Coalescers

Regulators

Filter /
 Regulators

Lubricators

Combinations

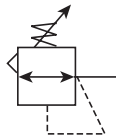
Accessories



For inventory, lead times, and kit lookup, visit www.pdnplu.com

06R Regulators – Compact

- Secondary aspiration plus balanced poppet provides quick response and accurate pressure regulation
- Rolling diaphragm for extended life
- Two high flow 1/4" gauge ports can be used as additional outlets
- Easily serviced
- Removable non-rising knob for panel mounting and tamper resistance
- 1/4", 3/8", 1/2" ports (NPT)



Operating information

| | |
|----------------------------|---|
| Supply pressure (max): | 250 psig (17.2 bar) |
| Secondary pressure ranges: | |
| Standard | 2 to 125 psig (0 to 8.6 bar) |
| Low | 1 to 60 psig (0 to 4.1 bar) |
| High | 5 to 250 psig (0.4 to 17.2 bar) |
| Operating temperature: | 32°F to 175°F (0°C to 80°C) |
| Low temperature | -4°F to 125°F (-20°C to 52°C) |
| Flow capacity†: | |
| High flow | |
| 1/4" | 53 scfm (25 dm ³ /s, ANR) |
| 3/8" | 60 scfm (28.3 dm ³ /s, ANR) |
| 1/2" | 75 scfm (35.4 dm ³ /s, ANR) |
| Gauge ports (2): | 1/4 inch (can be used as additional full flow 1/4 inch outlet ports) |
| Weight: | 1.6 lb (0.7 kg) |

† scfm = Standard cubic feet per minute at 100 psig inlet, 90 psig no flow secondary setting and 10 psig pressure drop.

Ordering Information:

| Port Size | Description | Part Number |
|-----------|----------------------------------|-----------------|
| 1/4" | 2-125 psi w/out Gauge, Relieving | 06R113AC |
| 1/4" | 2-125 psi with Gauge, Relieving | 06R118AC |
| 3/8" | 2-125 psi w/out Gauge, Relieving | 06R213AC |
| 3/8" | 2-125 psi with Gauge, Relieving | 06R218AC |
| 1/2" | 2-125 psi w/out Gauge, Relieving | 06R313AC |
| 1/2" | 2-125 psi with Gauge, Relieving | 06R318AC |
| 1/4" | 5-250 psi w/out Gauge, Relieving | 06R115AC |
| 3/8" | 5-250 psi w/out Gauge, Relieving | 06R215AC |
| 1/2" | 5-250 psi w/out Gauge, Relieving | 06R315AC |

NOTE: 2.0 Dia. (51 mm) hole required for panel mounting.

Most popular.



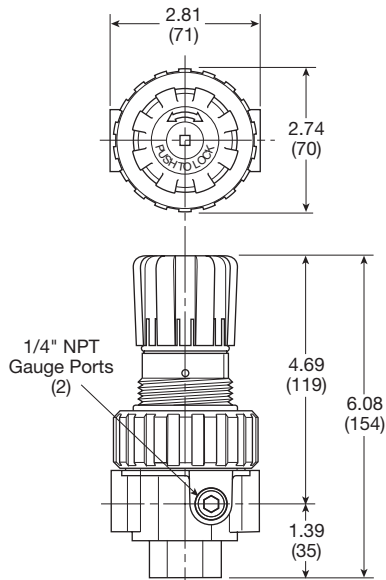
For inventory, lead times, and kit lookup, visit www.pdnplu.com

Material Specifications

| | |
|---|-----------|
| Adjusting stem | Steel |
| Body | Zinc |
| Bonnet, piston stem, valve poppet & cap | Plastic |
| Collar, knob | Plastic |
| Diaphragm | Nitrile |
| Seals | Nitrile |
| Spring, poppet | Stainless |
| Spring, control | Steel |

Repair and Service Kits

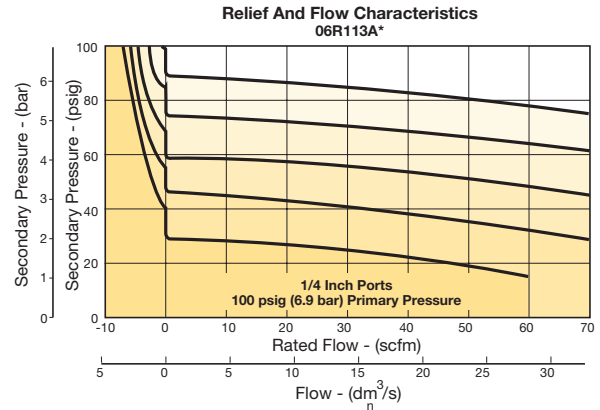
| | |
|---|---------------------|
| Bonnet assembly kit | PS715P |
| Control knob | P04069B |
| 2" dial face 60 psig (0 to 4.1 bar), gauge | K4520N14060 |
| 2" dial face 160 psig (0 to 11.0 bar), gauge | K4520N14160 |
| 2" dial face 300 psig (0 to 20.7 bar), gauge | K4520N14300 |
| 1-3/4" digital round face 160 psig (0 to 11.0 bar) gauge | K4517N14160D |
| Mounting bracket kit (includes panel mount nut) | PS707P |
| Panel mount nut, plastic | P04082 |
| Panel mount nut, metal | P04079B |
| Reverse flow service conversion kit, relieving | PS708RP |
| Relieving (includes poppet) | PS708P |
| Non-relieving (includes poppet) | PS709P |
| 1-30 psig spring | P01698 |
| 1-60 psig spring | P04062 |
| 2-125 psig spring | P04063 |
| 5-250 psig spring | P04064 |
| Tamperproof kit | PS737P |



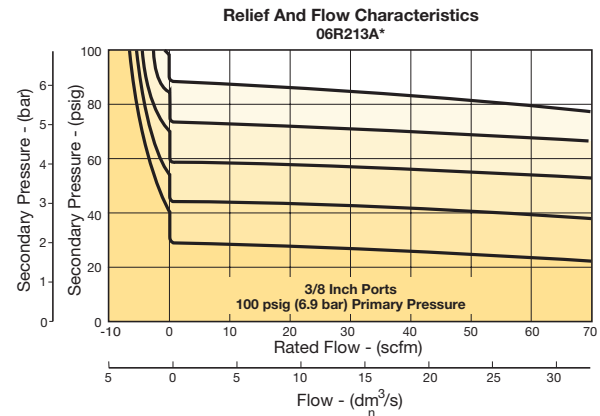
Inches (mm)

Flow Charts

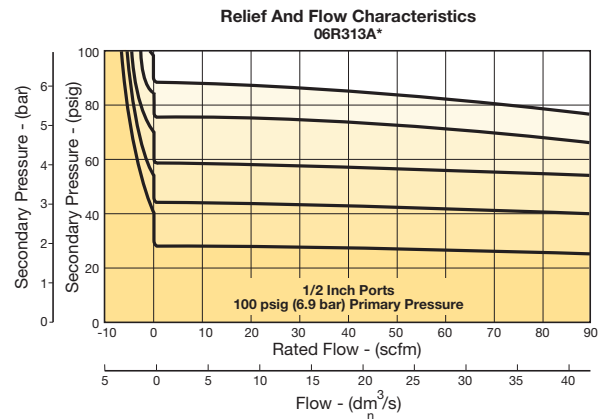
06R 1/4" Regulator



06R 3/8" Regulator



06R 1/2" Regulator



WARNING
 Product rupture can cause serious injury.
 Do not connect regulator to bottled gas.
 Do not exceed Maximum primary pressure rating.

CAUTION:

REGULATOR PRESSURE ADJUSTMENT – The working range of knob adjustment is designed to permit outlet pressures within their full range. Pressure adjustment beyond this range is also possible because the knob is not a limiting device. This is a common characteristic of most industrial regulators, and limiting devices may be obtained only by special design. For best performance, regulated pressure should always be set by increasing the pressure up to the desired setting.

Prep-Air® II
 Products



Filters

Coalescers

Regulators

Filter /
 Regulators

Lubricators

Combinations

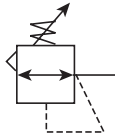
Accessories



For inventory, lead times, and kit lookup, visit www.pdnplu.com

07R Regulators – Standard

- Secondary aspiration plus balanced poppet provides quick response and accurate pressure regulation
- Rolling diaphragm for extended life
- Two high flow 1/4" gauge ports can be used as additional outlets
- Easily serviced
- Removable non-rising knob for panel mounting and tamper resistance
- 1/2", 3/4" ports (NPT)



Operating information

| | | |
|----------------------------|---|---------------------------|
| Supply pressure (max): | 250 psig (17.2 bar) | |
| Secondary pressure ranges: | | |
| Standard | 2 to 125 psig (0 to 8.6 bar) | |
| Low | 1 to 60 psig (0 to 4.1 bar) | |
| High | 5 to 250 psig (0.4 to 17.2 bar) | |
| Operating temperature: | 32°F to 175°F (0°C to 80°C) | |
| Low temperature | -4°F to 125°F (-20°C to 52°C) | |
| Flow capacity†: | | |
| High flow | 1/2" | 90 scfm (42.5 dm³/s, ANR) |
| | 3/4" | 90 scfm (42.5 dm³/s, ANR) |
| Gauge ports (2): | 1/4 inch (can be used as additional full flow 1/4 inch outlet ports) | |
| Weight: | 2.5 lb (1.1 kg) | |

† scfm = Standard cubic feet per minute at 100 psig inlet, 90 psig no flow secondary setting and 10 psig pressure drop.

Ordering Information:

| Port Size | Description | Part Number |
|-----------|-----------------------------------|------------------|
| 1/2" | 2-125 psi w/out Gauge, Relieving | 07R313AC |
| 1/2" | 5-250 psi w/ out Gauge, Relieving | 07R315AC |
| 1/2" | 2-125 psi w/ Gauge, Relieving | 07R318AC |
| 1/2" | 5-250 psi with Gauge, Relieving | 07R321AC |
| 3/4" | 2-125 psi w/out Gauge, Relieving | 07R413AC |
| 3/4" | 5-250 psi w/out Gauge, Relieving | 07R415AC |
| 3/4" | 2-125 psi w/ Gauge, Relieving | 07R418AC |
| G1/2" | 2-125 psi w/out Gauge, Relieving | 07R313AC1 |
| G3/4" | 2-125 psi w/ Gauge, Relieving | 07R418AC1 |

NOTE: 2.0 Dia. (51 mm) hole required for panel mounting.

Most popular.



For inventory, lead times, and kit lookup, visit www.pdnplu.com



Material Specifications

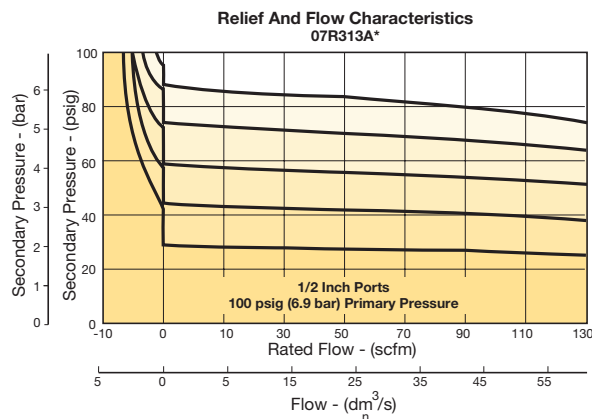
| | |
|---|-----------|
| Adjusting stem | Steel |
| Body | Zinc |
| Bonnet, piston stem, valve poppet & cap | Plastic |
| Collar, knob | Plastic |
| Diaphragm | Nitrile |
| Seals | Nitrile |
| Spring, poppet | Stainless |
| Spring, control | Steel |

Repair and Service Kits

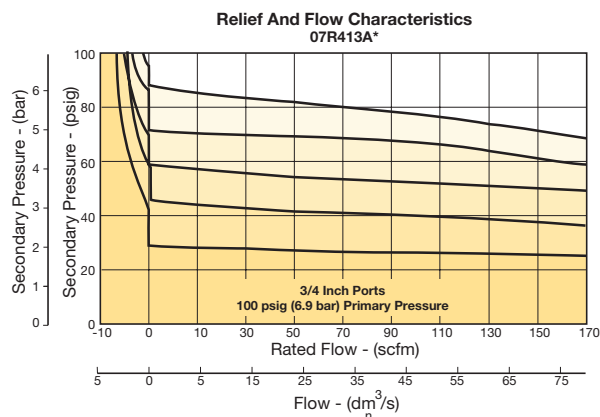
| | |
|---|---------------------|
| Bonnet assembly kit | PS715P |
| Control knob | P04069B |
| 2" dial face 60 psig (0 to 4.1 bar), gauge | K4520N14060 |
| 2" dial face 160 psig (0 to 11.0 bar), gauge | K4520N14160 |
| 2" dial face 300 psig (0 to 20.7 bar), gauge | K4520N14300 |
| 1-3/4" digital round face | |
| 160 psig (0 to 11.0 bar), gauge | K4517N14160D |
| Mounting bracket kit (includes panel mount nut) | PS807P |
| Panel mount nut, plastic | P04082 |
| Panel Mount nut, metal | P04079B |
| Reverse flow service conversion kit, relieving | PS808RP |
| Relieving (includes poppet) | PS808P |
| Non-relieving (includes poppet) | PS809P |
| 1-30 psig spring | P01698 |
| 1-60 psig spring | P04062 |
| 2-125 psig spring | P04063 |
| 5-250 psig spring | P04064 |
| Tamperproof kit | PS737P |

Flow Charts

07R 1/2" Regulator



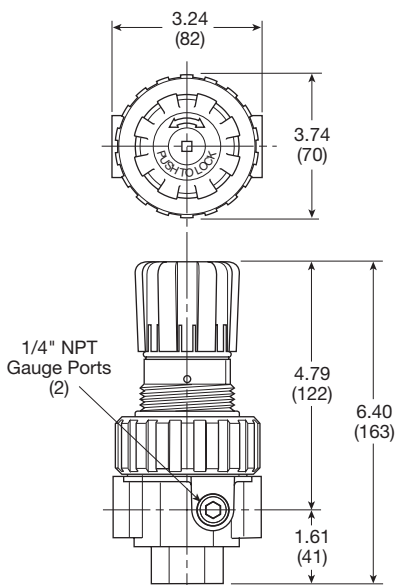
07R 3/4" Regulator



WARNING

Product rupture can cause serious injury.
 Do not connect regulator to bottled gas.
 Do not exceed Maximum primary pressure rating.

CAUTION:
REGULATOR PRESSURE ADJUSTMENT – The working range of knob adjustment is designed to permit outlet pressures within their full range. Pressure adjustment beyond this range is also possible because the knob is not a limiting device. This is a common characteristic of most industrial regulators, and limiting devices may be obtained only by special design. For best performance, regulated pressure should always be set by increasing the pressure up to the desired setting.



Inches (mm)

Prep-Air® II
 Products



Filters

Coalescers

Regulators

Filter /
 Regulators

Lubricators

Combinations

Accessories

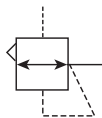


For inventory, lead times, and kit lookup, visit www.pdnplu.com

Compact Pilot Controlled Regulators

11R Pilot Controlled Regulator – Compact

- Balanced poppet provides quick response and accurate pressure regulation
- Pilot controlled regulators can be mounted “out of reach” with pilot regulator installed in a convenient location
- Solid control piston for extended life
- Two full flow 1/4" gauge ports can be used as additional outlets
- Pilot port 1/4 Inch
- 1/4", 3/8", 1/2" ports (NPT)



| Operating information | |
|---|---|
| Supply pressure (max): | 0 to 250 psig (0 to 17.2 bar) |
| Operating temperature: | 32°F to 175°F (0°C to 80°C) |
| Flow capacity†: | |
| High flow | 1/4" 85 scfm (40 dm ³ /s, ANR) |
| | 3/8" 95 scfm (44.8 dm ³ /s, ANR) |
| | 1/2" 95 scfm (44.8 dm ³ /s, ANR) |
| Gauge ports (2): | 1/4 inch (can be used as additional full flow 1/4 inch outlet ports) |
| Weight: | 1.3 lb (0.53 kg) |
| † scfm = Standard cubic feet per minute at 100 psig inlet, 90 psig no flow secondary setting and 10 psig pressure drop. | |

Ordering Information:

| Port Size | Description | Part Number |
|-----------|--|-----------------|
| 1/4" | 5-250 psi w/out Gauge, Relieving, Pilot Operated | 11R115PC |
| 3/8" | 5-250 psi w/out Gauge, Relieving, Pilot Operated | 11R215PC |
| 1/2" | 5-250 psi w/out Gauge, Relieving, Pilot Operated | 11R315PC |

NOTE: 2.0 Dia. (51 mm) hole required for panel mounting.


 Most popular.



For inventory, lead times, and kit lookup, visit www.pdnplu.com

E21

Parker Hannifin Corporation
Pneumatic Division
Richland, Michigan
www.parker.com/pneumatics

| |
|---|
| Prep-Air® II Products |
|  |
| Filters |
| Coalescers |
| Regulators |
| Filter / Regulators |
| Lubricators |
| Combinations |
| Accessories |

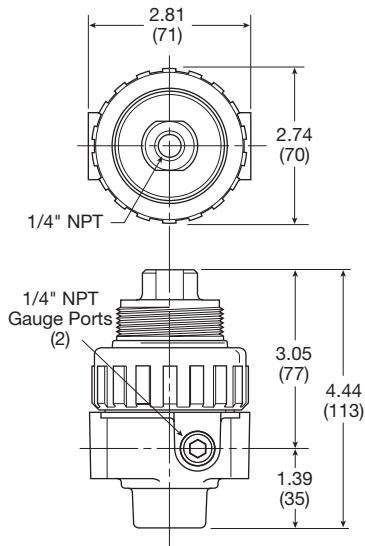
Compact Pilot Controlled Regulators

Material Specifications

| | |
|--------------------------------|---------|
| Body & pilot cap | Zinc |
| Piston, valve poppet, & collar | Plastic |
| Seals | Nitrile |
| Springs | Steel |

Repair and Service Kits

| | |
|---|---------------------|
| Seat Insert kit | PS713P |
| 2" dial face 60 psig (0 to 4.1 bar), gauge | K4520N14060 |
| 2" dial face 160 psig (0 to 11.0 bar), gauge | K4520N14160 |
| 2" dial face 300 psig (0 to 20.7 bar), gauge | K4520N14300 |
| 1-3/4" digital round face | |
| 160 psig (0 to 11.0 bar), gauge | K4517N14160D |
| Mounting bracket kit (includes panel mount nut) | PS707P |
| Panel mount nut, plastic | P04082 |
| Panel mount nut, metal | P04079B |
| Pilot conversion kit - relieving | PS745P |
| Non-Relieving | PS747P |
| Relieving | PS749P |

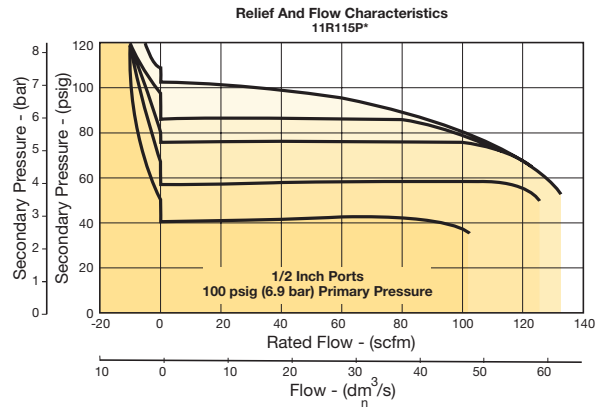


Inches (mm)

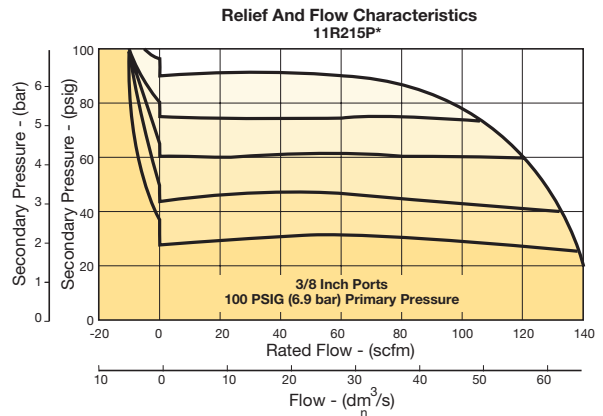
Air Preparation Products Prep-Air® II Series

Flow Charts

11R 1/2" Regulator



11R 3/8" Regulator



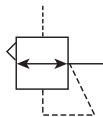
⚠ WARNING

Product rupture can cause serious injury.
Do not connect regulator to bottled gas.
Do not exceed Maximum primary pressure rating.

Standard Pilot Controlled Regulators

12R Pilot Controlled Regulator – Standard

- Balanced poppet provides quick response and accurate pressure regulation
- Pilot controlled regulators can be mounted “out of reach” with pilot regulator installed in a convenient location
- Solid control piston for extended life
- Two full flow 1/4" gauge ports can be used as additional outlets
- Pilot port 1/4 Inch
- 1/2", 3/4" ports (NPT)



| Operating information | |
|---|---|
| Supply pressure (max): | 0 to 250 psig (0 to 17.2 bar) |
| Operating temperature: | 32°F to 175°F (0°C to 80°C) |
| Flow capacity†: | |
| High flow | 1/2" 140 scfm (66 dm ³ /s, ANR) |
| | 3/4" 140 scfm (66 dm ³ /s, ANR) |
| Gauge ports (2): | 1/4 inch (can be used as additional full flow 1/4 inch outlet ports) |
| Weight: | 2.0 lb (0.91 kg) |
| † scfm = Standard cubic feet per minute at 100 psig inlet, 90 psig no flow secondary setting and 10 psig pressure drop. | |

Ordering Information:

| Port Size | Description | Part Number |
|-----------|--|-----------------|
| 1/2" | 5-250 psi w/out Gauge, Relieving, Pilot Operated | 12R215PB |
| 3/4" | 5-250 psi w/out Gauge, Relieving, Pilot Operated | 12R415PB |

NOTE: 2.0 Dia. (51 mm) hole required for panel mounting.

Most popular.



For inventory, lead times, and kit lookup, visit www.pdnplu.com

| |
|-----------------------|
| Prep-Air® II Products |
| |
| Filters |
| Coalescers |
| Regulators |
| Filter / Regulators |
| Lubricators |
| Combinations |
| Accessories |

Material Specifications

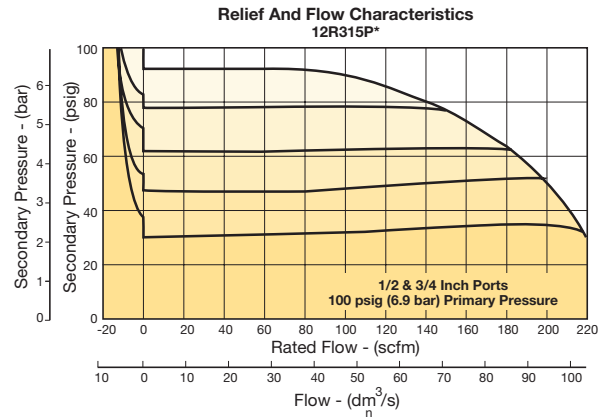
| | |
|--------------------------------|---------|
| Body & pilot cap | Zinc |
| Piston, valve poppet, & collar | Plastic |
| Seals | Nitrile |
| Springs | Steel |

Repair and Service Kits

| | |
|---|---------------------|
| Seat insert kit | PS813P |
| 2" dial face 60 psig (0 to 4.1 bar) | K4520N14060 |
| 2" dial face 160 psig (0 to 11.0 bar) | K4520N14160 |
| 2" dial face 300 psig (0 to 20.7 bar) | K4520N14300 |
| 1-3/4" digital round face 160 psig (0 to 11.0 bar) | K4517N14160D |
| Mounting bracket kit (includes panel mount nut) | PS807P |
| Panel mount nut, plastic | P04082 |
| Panel mount nut, metal | P04079B |
| Pilot conversion kit – relieving | PS745P |
| Non-relieving | PS847P |
| Relieving | PS849P |

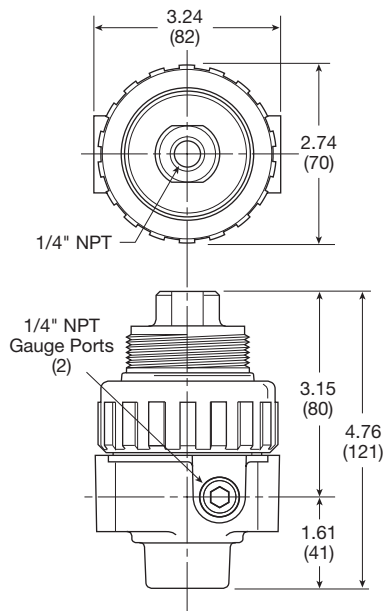
Flow Charts

12R 1/2 and 3/4" Regulator



⚠ WARNING

**Product rupture can cause serious injury.
Do not connect regulator to bottled gas.
Do not exceed Maximum primary pressure rating.**



Inches (mm)

Prep-Air® II
Products



Filters

Coalescers

Regulators

Filter /
Regulators

Lubricators

Combinations

Accessories

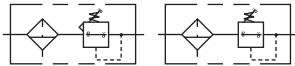


For inventory, lead times, and kit lookup, visit www.pdnplu.com

Economy Filter / Regulators

05E Filter / Regulator – Economy

- Space saving package offers both filter and regulator features for optimal performance
- Excellent water removal efficiency
- Rolling diaphragm for extended life
- Removable non-rising knob for tamper resistance
- Quick response, and accurate pressure regulation regardless of changing flow or inlet pressure
- 40 micron filter element standard
- 1/4", 3/8" ports (NPT)



Operating information

| | | | |
|---|------------------|------|-------------------------------|
| Supply pressure (max): | Plastic bowl | | 0 to 150 psig (0 to 10.3 bar) |
| Operating temperature: | Plastic bowl | | 32°F to 125°F (0°C to 52°C) |
| Flow capacity†: | High flow | 1/4" | 30 scfm (14.2 dm³/s, ANR) |
| | | 3/8" | 40 scfm (18.9 dm³/s, ANR) |
| Bowl capacity: | 2 oz. | | |
| Auto pulse drain tube barb | 1/8 inch | | |
| Gauge ports (2): | 1/4 inch | | |
| Sump capacity: | 0.9 oz. | | |
| Weight: | 1.35 lb (0.6 kg) | | |
| † scfm = Standard cubic feet per minute at 100 psig inlet, 90 psig no flow secondary setting and 10 psig pressure drop. | | | |

Ordering Information:

| Port Size | Description ‡ | Part Number |
|-----------|--|-------------------|
| 1/4" | Poly Bowl, Metal Guard, Twist Drain, 40 Micron, 2-125 psi w/out Gauge, Relieving | 05E12A13AB |
| 3/8" | Poly Bowl, Metal Guard, Twist Drain, 40 Micron, 2-125 psi w/out Gauge, Relieving | 05E22A13AB |

‡ For polycarbonate bowl, see caution in Engineering Section A.
 NOTE: 1.53 Dia. (39 mm) hole required for panel mounting.

Most popular.



For inventory, lead times, and kit lookup, visit www.pdnplu.com



Material Specifications

| | |
|------------------------------|--------------------|
| Adjusting stem | Steel |
| Body | Zinc |
| Bonnet, internal parts | Plastic |
| Transparent bowl | Polycarbonate |
| Bowl guard | Steel |
| Collar | Plastic |
| Diaphragm | Nitrile |
| Drain | Plastic |
| 40 micron element (standard) | Plastic |
| 5 micron element (optional) | Plastic |
| Adsorber element (optional) | Activated charcoal |
| Knob | Plastic |
| Seals | Nitrile |
| Sight gauge | Polyamide (nylon) |
| Springs, poppet & control | Steel |

Repair and Service Kits

| | |
|--|--------------------|
| Bowl guard kit | PS905P |
| Poly bowl, automatic pulse drain | PS995P |
| Poly bowl, twist drain | PS932P |
| Auto pulse drain | PS998P |
| Twist drain | PS512P |
| 40 micron element | PS901P |
| 5 micron element | PS902P |
| Adsorber element | PS931P |
| Sight gauge kit | PS914P |
| 1-1/2" dial face 30 psig (0 to 2.1 bar), gauge | K4515N14030 |
| 1-1/2" dial face 60 psig (0 to 4.1 bar), gauge | K4515N14060 |
| 1-1/2" dial face 160 psig (0 to 11.0 bar), gauge | K4515N14160 |
| 1-1/2" dial face 300 psig (0 to 20.7 bar), gauge | K4515N14300 |
| 2" dial face 60 psig (0 to 4.1 bar), gauge | K4520N14060 |
| 2" dial face 160 psig (0 to 11.0 bar), gauge | K4520N14160 |
| 2" dial face 300 psig (0 to 20.7 bar), gauge | K4520N14300 |
| Mounting bracket kit (includes panel mount nut) | PS963P |
| Panel mount nut – metal | PS964P |
| 1-30 psig spring | P04427 |
| 1-60 psig spring | P04426 |
| 2-125 psig spring | P04425 |
| 2-200 psig spring | P02934 |
| Relieving service kit | PS908P |
| Bonnet assembly kit | PS915P |

WARNING

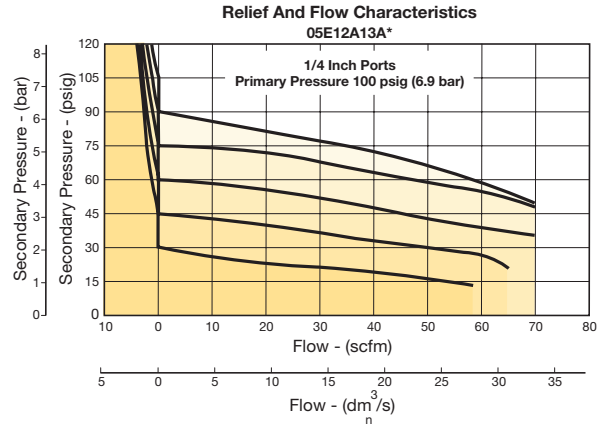
**Product rupture can cause serious injury.
Do not connect regulator to bottled gas.
Do not exceed Maximum primary pressure rating.**

CAUTION:

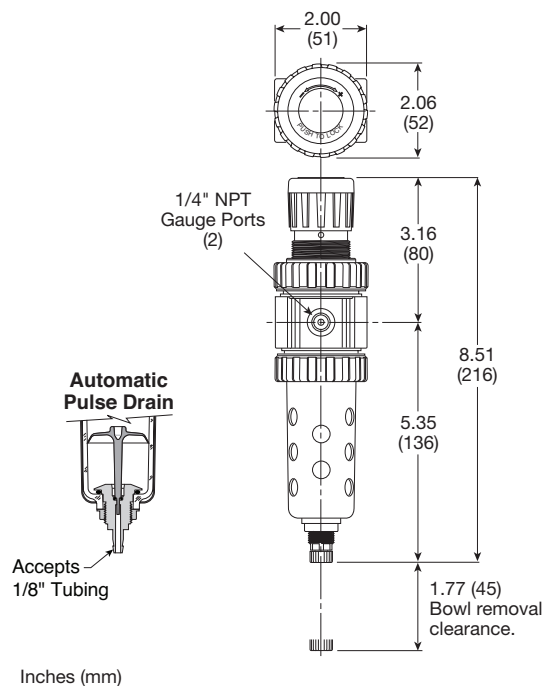
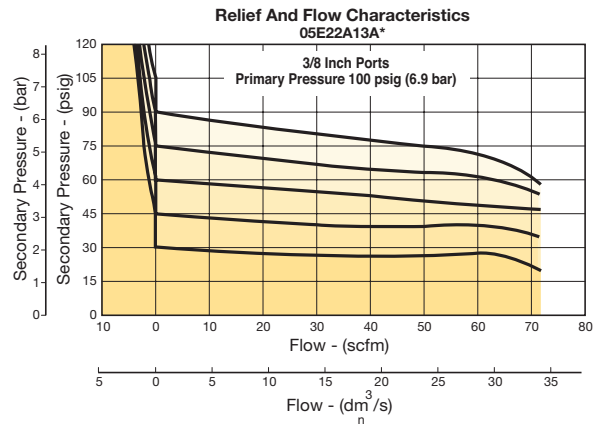
REGULATOR PRESSURE ADJUSTMENT – The working range of knob adjustment is designed to permit outlet pressures within their full range. Pressure adjustment beyond this range is also possible because the knob is not a limiting device. This is a common characteristic of most industrial regulators, and limiting devices may be obtained only by special design. For best performance, regulated pressure should always be set by increasing the pressure up to the desired setting.

Flow Charts

05E 1/4" Filter / Regulator



05E 3/8" Filter / Regulator



Prep-Air® II
Products



Filters

Coalescers

Regulators

Filter /
Regulators

Lubricators

Combinations

Accessories

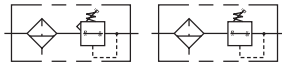


For inventory, lead times, and kit lookup, visit www.pdnplu.com

Compact Filter / Regulators

06E Filter / Regulator – Compact

- Space saving package offers both filter and regulator features for optimal performance
- Excellent water removal efficiency
- Rolling diaphragm for extended life
- Quick response, and accurate pressure regulation regardless of changing flow or inlet pressure
- Two high flow 1/4" gauge ports can be used as additional outlets
- Shown with recommended metal bowl guard
- 1/4", 3/8", 1/2" ports (NPT)



Operating information

| | | |
|---------------------------|------|--|
| Supply pressure (max): | | |
| Plastic bowl | | 0 to 150 psig (0 to 10.3 bar) |
| Metal bowl | | 0 to 250 psig (0 to 17.2 bar) |
| Auto float drain | | 15 to 250 psig (1.0 to 17.2 bar) |
| Operating temperature: | | |
| Plastic bowl | | 32°F to 125°F (0°C to 52°C) |
| Metal bowl | | 32°F to 175°F (0°C to 80°C) |
| Secondary pressure range: | | |
| Standard | | 2 to 125 psig (0 to 8.6 bar) |
| Low | | 1 to 60 psig (0 to 4.1 bar) |
| High | | 5 to 250 psig (0.4 to 17.2 bar) |
| Flow capacity†: | | |
| High flow | 1/4" | 45 scfm (21.7 dm³/s, ANR) |
| | 3/8" | 55 scfm (26 dm³/s, ANR) |
| | 1/2" | 61 scfm (28.8 dm³/s, ANR) |
| Bowl capacity: | | 4.4 oz. |
| Gauge ports (2): | | 1/4 inch (can be used as additional full flow 1/4" outlet ports) |
| Sump capacity: | | 1.75 oz. |
| Weight: | | 1.6 lb (0.7 kg) |

† scfm = Standard cubic feet per minute at 100 psig inlet, 90 psig no flow secondary setting and 10 psig pressure drop.

Ordering Information:

| Port Size | Description † | Part Number |
|-----------|---|-------------|
| 1/4" | Poly Bowl, Metal Guard, Twist Drain, 40 micron, 2-125 psi w/out Gauge, Relieving | 06E12A13AC |
| 1/4" | Poly Bowl, Metal Guard, Twist Drain, 40 micron, 2-125 psi w/ Gauge, Relieving | 06E12A18AC |
| 1/4" | Poly Bowl, Metal Guard, Twist Drain, 5 micron, 2-125 psi w/ Gauge, Relieving | 06E12B18AC |
| 1/4" | Metal Bowl, Twist Drain, 40 micron, 2-125 psi w/out Gauge, Relieving | 06E13A13AC |
| 1/4" | Metal Bowl, Twist Drain, 40 micron, 2-125 psi w/out Gauge, T-Handle Relieving | 06E13A13TC |
| 1/4" | Metal Bowl, Twist Drain, 40 micron, 2-125 psi w/ Gauge, Relieving | 06E13A18AC |
| 1/4" | Metal Bowl, Sight Gauge, Twist Drain, 40 micron, 2-125 psi w/out Gauge, Relieving | 06E14A13AC |
| 1/4" | Metal Bowl, Sight Gauge, Twist Drain, 40 micron, 2-125 psi w/ Gauge, Relieving | 06E14A18AC |
| 1/4" | Poly Bowl, Metal Guard, Auto Float Drain, 40 micron, 2-125 psi w/out Gauge, Relieving | 06E16A13AC |
| 1/4" | Poly Bowl, Metal Guard, Auto Float Drain, 40 micron, 2-125 psi w/ Gauge, Relieving | 06E16A18AC |
| 3/8" | Poly Bowl, Metal Guard, Twist Drain, 40 micron, 2-125 psi w/out Gauge, Relieving | 06E22A13AC |
| 3/8" | Poly Bowl, Metal Guard, Twist Drain, 40 micron, 2-125 psi w/ Gauge, Relieving | 06E22A18AC |
| 3/8" | Poly Bowl, Metal Guard, Twist Drain, 5 micron, 2-125 psi w/out Gauge, Relieving | 06E22B13AC |

Most popular.

Continued on next page



For inventory, lead times, and kit lookup, visit www.pdnplu.com



Compact Filter / Regulators

Ordering Information cont.:

| Port Size | Description ‡ | Part Number |
|-----------|--|--------------------|
| 3/8" | Metal Bowl, Twist Drain, 40 micron, 2-125 psi w/ Gauge, Relieving | 06E23A18AC |
| 3/8" | Metal Bowl, Sight Gauge, Twist Drain, 40 micron, 2-125 psi w/out Gauge, Relieving | 06E24A13AC |
| 3/8" | Metal Bowl, Sight Gauge, Twist Drain, 40 micron, 2-125 psi w/ Gauge, Relieving | 06E24A18AC |
| 3/8" | Poly Bowl, Metal Guard, Auto Float Drain, 40 micron, 2-125 psi w/out Gauge, Relieving | 06E26A13AC |
| 3/8" | Poly Bowl, Metal Guard, Auto Float Drain, 40 micron, 2-125 psi w/ Gauge, Relieving | 06E26A18AC |
| 3/8" | Metal Bowl, Sight Gauge, Auto Float Drain, 40 micron, 2-125 psi w/out Gauge, Relieving | 06E28A13AC |
| 1/2" | Poly Bowl, Metal Guard, Twist Drain, 40 micron, 2-125 psi w/out Gauge, Relieving | 06E32A13AC |
| 1/2" | Poly Bowl, Metal Guard, Twist Drain, 40 micron, 2-125 psi w/ Gauge, Relieving | 06E32A18AC |
| 1/2" | Poly Bowl, Metal Guard, Twist Drain, 5 micron, 2-125 psi w/out Gauge, Relieving | 06E32B13AC |
| 1/2" | Poly Bowl, Metal Guard, Twist Drain, 5 micron, 2-125 psi w/ Gauge, Relieving | 06E32B18AC |
| 1/2" | Metal Bowl, Sight Gauge, Twist Drain, 40 micron, 2-125 psi w/out Gauge, Relieving | 06E34A13AC |
| 1/2" | Metal Bowl, Sight Gauge, Twist Drain, 40 micron, 2-125 psi w/ Gauge, Relieving | 06E34A18AC |
| 1/2" | Metal Bowl, Sight Gauge, Twist Drain, 5 micron, 2-125 psi w/ Gauge, Relieving | 06E34B18AC |
| 1/2" | Poly Bowl, Metal Guard, Auto Float Drain, 40 micron, 2-125 psi w/out Gauge, Relieving | 06E36A13AC |
| 1/2" | Poly Bowl, Metal Guard, Auto Float Drain, 40 micron, 2-125 psi w/ Gauge, Relieving | 06E36A18AC |
| 1/2" | Poly Bowl, Metal Guard, Auto Float Drain, 5 micron, 2-125 psi w/out Gauge, Relieving | 06E36B13AC |
| 1/2" | Metal Bowl, Auto Float Drain, 40 micron, 2-125 psi w/ Gauge, Relieving | 06E37A18AC |
| 1/2" | Metal Bowl, Sight Gauge, Auto Float Drain, 40 micron, 2-125 psi w/out Gauge, Relieving | 06E38A13AC |
| 1/2" | Metal Bowl, Sight Gauge, Auto Float Drain, 40 micron, 2-125 psi w/ Gauge, Relieving | 06E38A18AC |
| G1/4" | Metal Bowl, Auto Float Drain, 5 micron, 2-125 psi w/out Gauge, Relieving | 06E17B13AC1 |

‡ For polycarbonate bowl, see caution in Engineering Section A.

NOTE: 2.0 Dia. (50.8 mm) hole required for panel mounting. Max panel thickness 1/4"

Prep-Air® II
Products

Filters
Coalescers
Regulators
Filter / Regulators
Lubricators
Combinations
Accessories

 Most popular.



For inventory, lead times, and kit lookup, visit www.pdnplu.com

Compact Filter / Regulators

Material Specifications

| | |
|--|--------------------|
| Adjusting stem | Steel |
| Body | Zinc |
| Bonnet, internal parts | Plastic |
| Transparent bowl | Polycarbonate |
| Metal bowl (with or without sight gauge) | Zinc |
| Bowl guard | Steel |
| Collar | Plastic |
| Diaphragm | Nitrile |
| Manual twist drain, standard, body & nut | Plastic |
| Auto float drain, housing, float | Plastic |
| Auto float drain, seals | Nitrile |
| Auto float drain, springs, push rod | Stainless steel |
| Knob | Plastic |
| 40 micron element (standard) | Plastic |
| 5 micron element (optional) | Plastic |
| Adsorber element (optional) | Activated charcoal |
| Seals | Nitrile |
| Sight gauge | Polyamide |
| Poppet, spring | Stainless |
| Control, spring | Steel |

Repair and Service Kits

| | |
|--|---------------------|
| Bonnet assembly kit | PS715P |
| Bowl guard kit | PS705P |
| Poly bowl, auto float drain | PS722P |
| Poly bowl, twist drain | PS732P |
| Metal bowl, auto float drain | PS726P |
| Metal bowl, twist drain | PS734P |
| Metal bowl, sight gauge / auto drain | PS723P |
| Metal bowl, sight gauge / twist drain | PS735P |
| Control knob | P04069B |
| Auto float drain | PS506P |
| Twist drain | PS512P |
| 40 micron element | PS701P |
| 5 micron element | PS702P |
| Adsorber element | PS731P |
| 2" dial face 60 psig (0 to 4.1 bar), gauge | K4520N14060 |
| 2" dial face 160 psig (0 to 11.0 bar), gauge | K4520N14160 |
| 2" dial face 300 psig (0 to 20.7 bar), gauge | K4520N14300 |
| 1-3/4" digital round face 160 psig (0 to 11.0 bar), gauge | K4517N14160D |
| Mounting bracket kit (includes panel mount nut) | PS707P |
| Panel mount nut | P04082 |
| Non-relieving (includes poppet) | PS711P |
| Relieving (includes poppet) | PS710P |
| Seat insert kit | PS713P |
| 1- 30 psig spring | P01698 |
| 1- 60 psig spring | P04062 |
| 2- 125 psig spring | P04063 |
| 5- 250 psig spring | P04064 |
| Tamperproof kit (key lock) | PS737P |

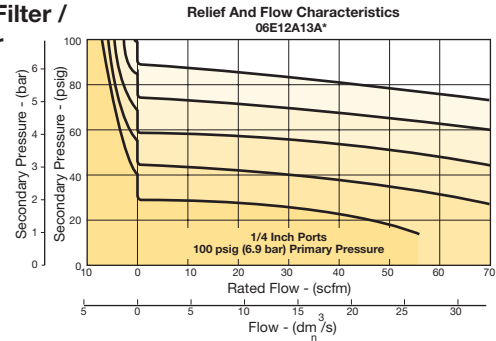
WARNING

**Product rupture can cause serious injury.
Do not connect regulator to bottled gas.
Do not exceed Maximum primary pressure rating.**

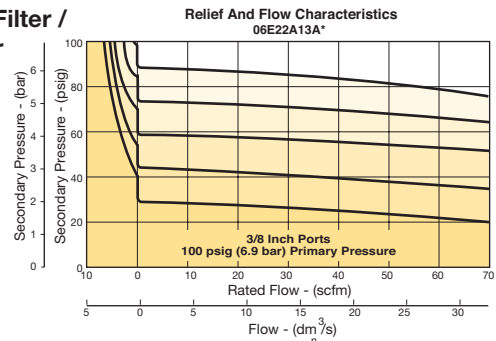
Air Preparation Products Prep-Air® II Series

Flow Charts

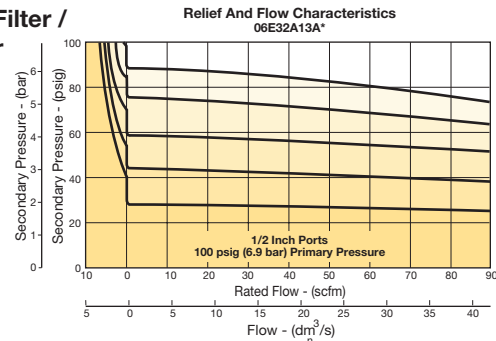
06E 1/4" Filter / Regulator



06E 3/8" Filter / Regulator

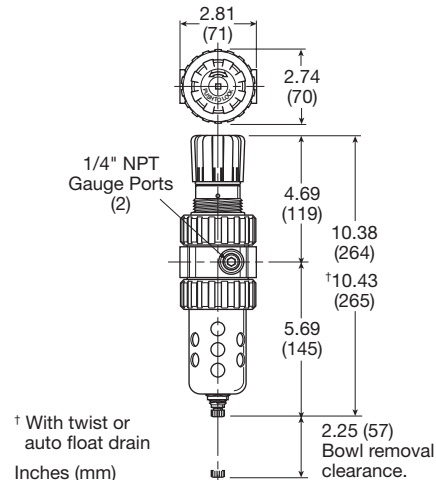


06E 1/2" Filter / Regulator



CAUTION:

REGULATOR PRESSURE ADJUSTMENT – The working range of knob adjustment is designed to permit outlet pressures within their full range. Pressure adjustment beyond this range is also possible because the knob is not a limiting device. This is a common characteristic of most industrial regulators, and limiting devices may be obtained only by special design. For best performance, regulated pressure should always be set by increasing the pressure up to the desired setting.



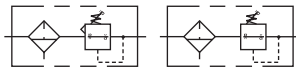
For inventory, lead times, and kit lookup, visit www.pdnplu.com



Standard Filter / Regulators

07E Filter / Regulator – Standard

- Space saving package offers both filter and regulator features for optimal performance
- Excellent water removal efficiency
- Rolling diaphragm for extended life
- Quick response, and accurate pressure regulation regardless of changing flow or inlet pressure
- Two high flow 1/4" gauge ports can be used as additional outlets
- Shown with recommended metal bowl guard
- 1/2", 3/4" ports (NPT)



Operating information

| | | |
|---------------------------|------|--|
| Supply pressure (max): | | |
| Plastic bowl | | 0 to 150 psig (0 to 10.3 bar) |
| Metal bowl | | 0 to 250 psig (0 to 17.2 bar) |
| Auto float drain | | 15 to 250 psig (1.0 to 17.2 bar) |
| Operating temperature: | | |
| Plastic bowl | | 32°F to 125°F (0°C to 52°C) |
| Metal bowl | | 32°F to 175°F (0°C to 80°C) |
| Secondary pressure range: | | |
| Standard | | 2 to 125 psig (0 to 8.6 bar) |
| Low | | 1 to 60 psig (0 to 4.1 bar) |
| High | | 5 to 250 psig (0.4 to 17.2 bar) |
| Flow capacity†: | | |
| High flow | 1/2" | 90 scfm (42.5 dm ³ /s, ANR) |
| | 3/4" | 90 scfm (42.5 dm ³ /s, ANR) |
| Bowl capacity: | | 7.2 oz. |
| Gauge ports (2): | | 1/4 inch (can be used as additional full flow 1/4" outlet ports) |
| Sump capacity: | | 2.8 oz. |
| Weight: | | 2.5 lb (1.1 kg) |

† scfm = Standard cubic feet per minute at 100 psig inlet, 90 psig no flow secondary setting and 10 psig pressure drop.

Ordering Information:

| Port Size | Description † | Part Number |
|-----------|--|-------------|
| 1/2" | Poly Bowl, Metal Guard, Twist Drain, 40 micron, 2-125 psi w/out Gauge, Relieving | 07E32A13AC |
| 1/2" | Poly Bowl, Metal Guard, Twist Drain, 40 micron, 2-125 psi w/ Gauge, Relieving | 07E32A18AC |
| 1/2" | Poly Bowl, Metal Guard, Twist Drain, 5 micron, 2-125 psi w/ out Gauge, Relieving | 07E32B13AC |
| 1/2" | Poly Bowl, Metal Guard, Twist Drain, 5 micron, 2-125 psi w/ Gauge, Relieving | 07E32B18AC |
| 1/2" | Metal Bowl, Sight Gauge, Twist Drain, 40 micron, 2-125 psi w/out Gauge, Relieving | 07E34A13AC |
| 1/2" | Metal Bowl, Sight Gauge, Twist Drain, 40 micron, 5-250 psi w/out Gauge, Relieving | 07E34A15AC |
| 1/2" | Metal Bowl, Sight Gauge, Twist Drain, 40 micron, 2-125 psi w/ Gauge, Relieving | 07E34A18AC |
| 1/2" | Metal Bowl, Sight Gauge, Twist Drain, 5 micron, 2-125 psi w/out Gauge, Relieving | 07E34B13AC |
| 1/2" | Metal Bowl, Sight Gauge, Twist Drain, 5 micron, 2-125 psi w/ Gauge, Relieving | 07E34B18AC |
| 1/2" | Poly Bowl, Metal Guard, Auto Float Drain, 40 micron, 2-125 psi w/ out Gauge, Relieving | 07E36A13AC |
| 1/2" | Poly Bowl, Metal Guard, Auto Float Drain, 40 micron, 2-125 psi w/ Gauge, Relieving | 07E36A18AC |
| 1/2" | Poly Bowl, Metal Guard, Auto Float Drain, 5 micron, 2-125 psi w/ out Gauge, Relieving | 07E36B13AC |
| 1/2" | Poly Bowl, Metal Guard, Auto Float Drain, 5 micron, 2-125 psi w/ Gauge, Relieving | 07E36B18AC |
| 1/2" | Metal Bowl, Auto Float Drain, 40 micron, 2-125 psi w/out Gauge, Relieving | 07E37A13AC |

Continued on next page

Most popular.



For inventory, lead times, and kit lookup, visit www.pdnplu.com



Compact Filter / Regulators

Ordering Information cont.:

| Port Size | Description † | Part Number |
|-----------|---|-------------------|
| 1/2" | Metal Bowl, Auto Float Drain, 5 micron, 2-125 psi w/out Gauge, Relieving | 07E37B13AC |
| 1/2" | Metal Bowl, Sight Gauge, Auto Float Drain, 40 micron, 2-125 psi w/ out Gauge, Relieving | 07E38A13AC |
| 1/2" | Metal Bowl, Sight Gauge, Auto Float Drain, 40 micron, 2-125 psi w/ Gauge, Relieving | 07E38A18AC |
| 1/2" | Metal Bowl, Sight Gauge, Auto Float Drain, 40 micron, 5-250 psi w/ Gauge, Relieving | 07E38A21AC |
| 1/2" | Metal Bowl, Sight Gauge, Auto Float Drain, 5 micron, 2-125 psi w/ Gauge, Relieving | 07E38B18AC |
| 3/4" | Poly Bowl, Metal Guard, Twist Drain, 40 micron, 2-125 psi w/ out Gauge, Relieving | 07E42A13AC |
| 3/4" | Poly Bowl, Metal Guard, Twist Drain, 40 micron, 2-125 psi w/ Gauge, Relieving | 07E42A18AC |
| 3/4" | Poly Bowl, Metal Guard, Twist Drain, 5 micron, 2-125 psi w/out Gauge, Relieving | 07E42B13AC |
| 3/4" | Metal Bowl, Twist Drain, 40 micron, 2-125 psi w/ out Gauge, Relieving | 07E43A13AC |
| 3/4" | Metal Bowl, Sight Gauge, Twist Drain, 40 micron, 2-125 psi w/ out Gauge, Relieving | 07E44A13AC |
| 3/4" | Metal Bowl, Sight Gauge, Twist Drain, 40 micron, 2-125 psi w/ Gauge, Relieving | 07E44A18AC |
| 3/4" | Metal Bowl, Sight Gauge, Twist Drain, 5 micron, 5-250 psi w/ out Gauge, Relieving | 07E44B15AC |
| 3/4" | Metal Bowl, Sight Gauge, Twist Drain, 5 micron, 2-125 psi w/ Gauge, Relieving | 07E44B18AC |
| 3/4" | Metal Bowl, Sight Gauge, Twist Drain, 5 micron, 2-125 psi w/ Gauge, Relieving | 07E44B21AC |
| 3/4" | Poly Bowl, Metal Guard, Auto Float Drain, 40 micron, 2-125 psi w/ out Gauge, Relieving | 07E46A13AC |
| 3/4" | Poly Bowl, Metal Guard, Auto Float Drain, 40 micron, 2-125 psi w/ Gauge, Relieving | 07E46A18AC |
| 3/4" | Metal Bowl, Auto Float Drain, 40 micron, 2-125 psi w/out Gauge, Relieving | 07E47A13AC |
| 3/4" | Metal Bowl, Sight Gauge, Auto Float Drain, 40 micron, 2-125 psi w/ out Gauge, Relieving | 07E48A13AC |

† For polycarbonate bowl, see caution in Engineering Section A.

NOTE: 2.0 Dia. (50.8 mm) hole required for panel mounting. Max panel thickness 1/4".

 Most popular.



For inventory, lead times, and kit lookup, visit www.pdnplu.com

Prep-Air® II Products



Filters

Coalescers

Regulators

Filter / Regulators

Lubricators

Combinations

Accessories

Material Specifications

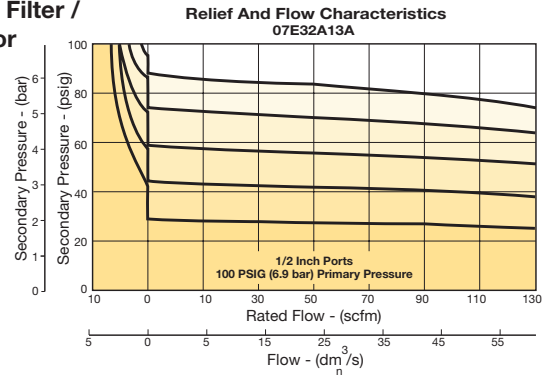
| | |
|--|--------------------|
| Adjusting stem | Steel |
| Body | Zinc |
| Bonnet, internal parts | Plastic |
| Transparent bowl | Polycarbonate |
| Metal bowl (with or without sight gauge) | Zinc |
| Bowl guard | Steel |
| Collar | Plastic or metal |
| Diaphragm | Nitrile |
| Manual twist drain, standard, body & nut | Plastic |
| Auto float drain, housing, float | Plastic |
| Auto float drain, seals | Nitrile |
| Auto float drain, springs, push rod | Stainless steel |
| Knob | Plastic |
| 40 micron element (standard) | Plastic |
| 5 micron element (optional) | Plastic |
| Adsorber element (optional) | Activated charcoal |
| Seals | Nitrile |
| Sight gauge | Polyamide |
| Poppet, spring | Stainless |
| Control, spring | Steel |

Repair and Service Kits

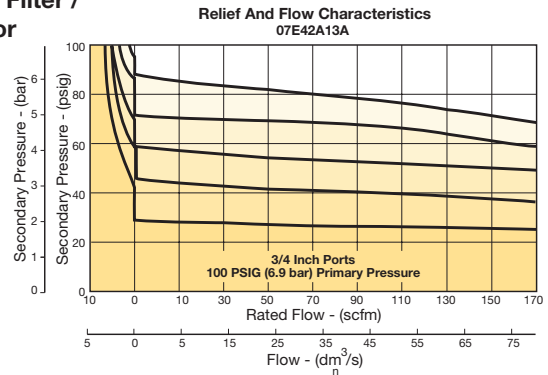
| | |
|---|---------------------|
| Bonnet assembly kit | PS715P |
| Bowl guard kit | PS805P |
| Poly bowl, auto float drain | PS822P |
| Poly bowl, twist drain | PS832P |
| Metal bowl, automatic float drain | PS826P |
| Metal bowl, twist drain | PS834P |
| Metal bowl, sight gauge / auto drain | PS823P |
| Metal bowl, sight gauge / twist drain | PS835P |
| Control knob | P04069B |
| Auto float drain | PS506P |
| Twist drain | PS512P |
| 40 micron element | PS801P |
| 5 micron element | PS802P |
| Adsorber element | PS831P |
| 2" dial face 60 psig (0 to 4.1 bar), gauge | K4520N14060 |
| 2" dial face 160 psig (0 to 11.0 bar), gauge | K4520N14160 |
| 2" dial face 300 psig (0 to 20.7 bar), gauge | K4520N14300 |
| 1-3/4" Digital Round Face 160 psig (0 to 11.0 bar) | K4517N14160D |
| Mounting bracket kit (includes panel mount nut) | PS807P |
| Panel mount nut | P04082 |
| Non-relieving (includes poppet) | PS811P |
| Relieving (includes poppet) | PS810P |
| Seat insert kit | PS813P |
| 1- 30 psig spring | P01698 |
| 1- 60 psig spring | P04062 |
| 2- 125 psig spring | P04063 |
| 5- 250 psig spring | P04064 |
| Tamperproof kit (key lock) | PS737P |

Flow Charts

07E 1/2" Filter / Regulator



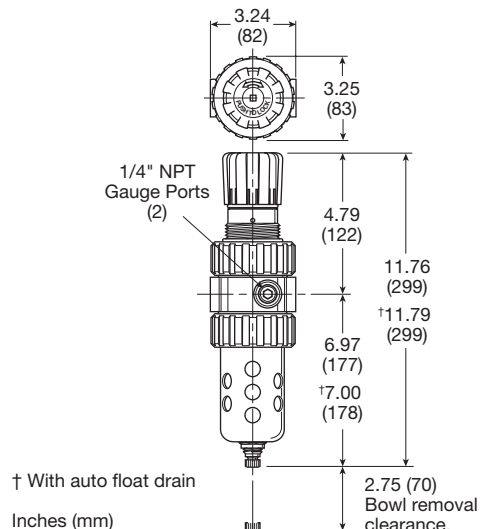
07E 3/4" Filter / Regulator



⚠ WARNING
Product rupture can cause serious injury.
Do not connect regulator to bottled gas.
Do not exceed Maximum primary pressure rating.

CAUTION:

REGULATOR PRESSURE ADJUSTMENT – The working range of knob adjustment is designed to permit outlet pressures within their full range. Pressure adjustment beyond this range is also possible because the knob is not a limiting device. This is a common characteristic of most industrial regulators, and limiting devices may be obtained only by special design. For best performance, regulated pressure should always be set by increasing the pressure up to the desired setting.



Prep-Air® II Products



Filters

Coalescers

Regulators

Filter / Regulators

Lubricators

Combinations

Accessories

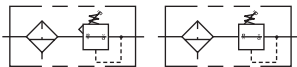


For inventory, lead times, and kit lookup, visit www.pdnplu.com

Coalescing Filter / Regulators

12E Filter / Regulator – Coalescing

- Space saving package offers both coalescer and regulator features for optimal performance
- Removes liquid, aerosol and sub-micron particles
- Rolling diaphragm for extended life
- Removable non-rising knob for panel mounting and tamper resistance
- Quick response, and accurate pressure regulation regardless of changing flow or inlet pressure
- Two high flow 1/4" gauge ports can be used as additional outlets
- 1/2", 3/4" ports (NPT)



Prep-Air® II
Products



Filters

Coalescers

Regulators

Filter /
Regulators

Lubricators

Combinations

Accessories

Operating information

| | | |
|---------------------------|------|--|
| Supply pressure (max): | | |
| Metal bowl | | 0 to 250 psig (0 to 17.2 bar) |
| Operating temperature: | | |
| Metal bowl | | 32°F to 175°F (0°C to 80°C) |
| Secondary pressure range: | | |
| Standard | | 2 to 125 psig (0 to 8.6 bar) |
| Low | | 1 to 60 psig (0 to 4.1 bar) |
| High | | 5 to 250 psig (0.4 to 17.2 bar) |
| Flow capacity†: | | |
| High flow | 1/2" | 40 scfm (18.9 dm³/s, ANR) |
| | 3/4" | 45 scfm (21.2 dm³/s, ANR) |
| Bowl capacity: | | 7.2 oz. |
| Gauge ports (2): | | 1/4 inch (can be used as additional full flow 1/4" outlet ports) |
| Sump capacity: | | 2.8 oz. |
| Weight: | | 2.5 lb (1.1 kg) |

† scfm = Standard cubic feet per minute at 150 psig inlet, 90 psig no flow secondary setting and 10 psig pressure drop.

Ordering Information:

| Port Size | Description ‡ | Part Number |
|-----------|---|-------------------|
| 1/2" | Metal Bowl, Twist Drain, Grade 6 (0.01), 2-125 psi w/out Gauge, Relieving | 12E33E13AA |
| 1/2" | Metal Bowl, Twist Drain, Grade 6 (0.01), 2-125 psi w/ Gauge, Relieving | 12E33E18AA |
| 1/2" | Metal Bowl, Auto Float Drain, Grade 6 (0.01), 2-125 psi w/ out Gauge, Relieving | 12E37E13AA |
| 1/2" | Metal Bowl, Auto Float Drain, Grade 6 (0.01), 2-125 psi w/ Gauge, Relieving | 12E37E18AA |
| 3/4" | Metal Bowl, Twist Drain, Grade 6 (0.01), 2-125 psi w/ Gauge, Relieving | 12E43E18AA |

‡ For polycarbonate bowl, see caution in Engineering Section A.

NOTE: 2.0 Dia. (50.8 mm) hole required for panel mounting. Max panel thickness 1/4"

Most popular.



For inventory, lead times, and kit lookup, visit www.pdnplu.com

E33

Parker Hannifin Corporation
Pneumatic Division
Richland, Michigan
www.parker.com/pneumatics

Coalescing Filter / Regulators

Material Specifications

| | |
|--|----------------------------------|
| Adjusting stem | Steel |
| Body | Zinc |
| Bonnet, internal parts | Plastic |
| Metal bowl (without sight gauge) | Zinc |
| Collar for bonnet | Metal |
| Control spring | Steel |
| Diaphragm | Nitrile |
| Manual twist drain, standard, body & nut | Plastic |
| Auto float drain, housing, float | Plastic |
| Auto float drain, seals | Nitrile |
| Auto float drain, springs, push rod | Stainless steel |
| Knob | Plastic |
| Element | Borosilicate & felt glass fibers |
| Seals | Nitrile |
| Sight gauge | Polyamide |
| Poppet, spring | Stainless |

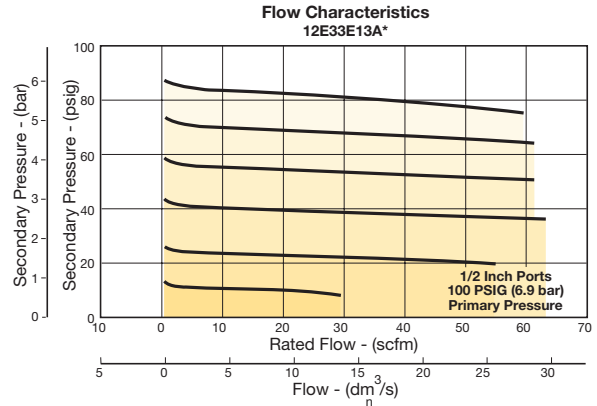
Repair and Service Kits

| | |
|--|---------------------|
| Bonnet assembly kit | PS715P |
| Metal bowl, auto float drain | PS826P |
| Metal bowl, twist drain | PS834P |
| Control knob | P04069B |
| Auto float drain | PS506P |
| Twist drain | PS512P |
| Grade 6 element (0.01 micron) | PS884P |
| Grade 10 element (1.0 micron) | PS885P |
| 2" dial face 60 psig (0 to 4.1 bar), gauge | K4520N14060 |
| 2" dial face 160 psig (0 to 11.0 bar), gauge | K4520N14160 |
| 2" dial face 300 psig (0 to 20.7 bar), gauge | K4520N14300 |
| 1-3/4" digital round face 160 psig (0 to 11.0 bar), gauge | K4517N14160D |
| Mounting bracket kit (includes panel mount nut) | PS807P |
| Relieving (includes poppet) | PS886P |
| 1- 30 psig spring | P01698 |
| 1- 60 psig spring | P04062 |
| 2- 125 psig spring | P04063 |
| 5- 250 psig spring | P04064 |
| Tamperproof kit (key lock) | PS737P |

Air Preparation Products Prep-Air® II Series

Flow Charts

12E 1/2" Filter / Regulator

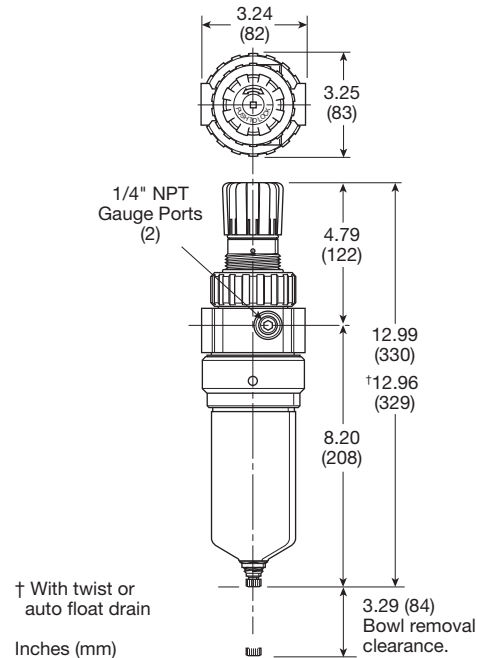


WARNING

**Product rupture can cause serious injury.
Do not connect regulator to bottled gas.
Do not exceed Maximum primary pressure rating.**

CAUTION:

REGULATOR PRESSURE ADJUSTMENT – The working range of knob adjustment is designed to permit outlet pressures within their full range. Pressure adjustment beyond this range is also possible because the knob is not a limiting device. This is a common characteristic of most industrial regulators, and limiting devices may be obtained only by special design. For best performance, regulated pressure should always be set by increasing the pressure up to the desired setting.



Prep-Air® II
Products



Filters

Coalescers

Regulators

Filter /
Regulators

Lubricators

Combinations

Accessories



For inventory, lead times, and kit lookup, visit www.pdnplu.com

Economy Micro-Mist Lubricators

15L Micro-Mist Lubricators – Economy

- Proportional oil delivery over a wide range of air flows
- Generates oil particles of 5 micron or smaller downstream to lubricate systems having complex piping arrangements
- Precision needle valve assures repeatable oil delivery and provides simple adjustment of delivery rate
- Ideal for low and high flow applications with changing air flow
- Transparent sight dome for 360° visibility
- Removable drip control knob for tamper resistance
- Integral 3/8" (NPT)



| Operating information | |
|--|--|
| Supply pressure (max): Plastic bowl | 150 psig (10.3 bar) |
| Operating temperature: Plastic bowl | 32°F to 125°F (0°C to 52°C) |
| Flow capacity†: | |
| High flow | 1/4" 40 scfm (18.9 dm³/s, ANR) 3/8" 40 scfm (18.9 dm³/s, ANR) |
| Minimum flow | 2 scfm (0.9 dm³/s, ANR) at 100 psig (6.9 bar) |
| Bowl capacity: | 2.0 oz. |
| Weight | 1.0 lb (0.45 kg) |
| † scfm = Standard cubic feet per minute at 90 psig inlet and 5 psig pressure drop. | |

Ordering Information:

| Port Size | Description ‡ | Part Number |
|-----------|---|----------------|
| 3/8" | Poly Bowl, Metal Bowl Guard, No Drain, No Fill Plug | 15L22NA |

‡ For polycarbonate bowl and sight dome, see caution in Engineering Section A.

Suggested LubricantF442 Oil

Petroleum based oil of 100 to 200 SUS viscosity at 100°F (38°C) and an aniline point greater than 200°F (93°C)
 (DO NOT USE OILS WITH ADDITIVES, COMPOUNDED OILS CONTAINING SOLVENTS, GRAPHITE, DETERGENTS, OR SYNTHETIC OILS.)

Most popular.

Prep-Air® II Products

Filters

Coalescers

Regulators

Filter / Regulators

Lubricators

Combinations

Accessories



For inventory, lead times, and kit lookup, visit www.pdnplu.com

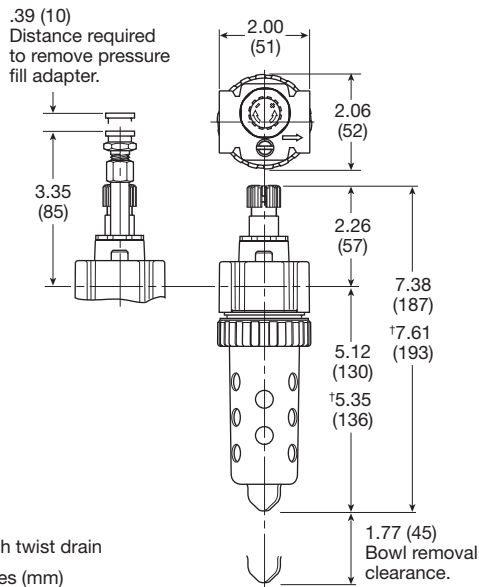
Economy Micro-Mist Lubricators

Material Specifications

| | |
|--------------------------------------|-------------------|
| Body | Zinc |
| Transparent bowl | Polycarbonate |
| Bowl guard | Steel |
| Collar | Plastic |
| Drains, twist – body & nut | Plastic |
| Injector meter block & base assembly | Plastic |
| Seals | Nitrile |
| Sight dome | Polycarbonate |
| Sight gauge | Polyamide (nylon) |

Repair and Service Kits

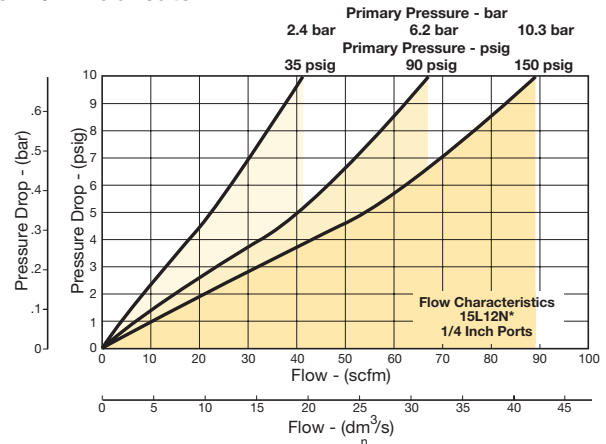
| | |
|----------------------|----------------|
| Adjustment knob | P04121 |
| Bowl guard kit | PS905P |
| Poly bowl, no drain | PS946P |
| Twist drain | PS512P |
| Mounting bracket kit | PS943P |
| Service kit | PS948P |
| Sight dome kit | PS740P |
| Sight gauge kit | PS914P |
| Oil (1 quart) | F442001 |
| Oil (1 gallon) | F442002 |
| Oil (12 quart case) | F442003 |
| Oil (4 gallon case) | F442005 |



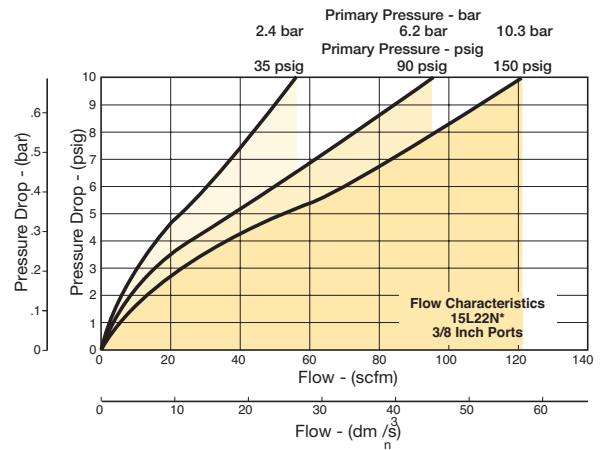
Air Preparation Products Prep-Air® II Series

Flow Charts

15L 1/4" Lubricator



15L 3/8" Lubricator



Prep-Air® II
Products



Filters

Coalescers

Regulators

Filter /
Regulators

Lubricators

Combinations

Accessories



For inventory, lead times, and kit lookup, visit www.pdnplu.com

Compact Micro-Mist Lubricators

16L Micro-Mist Lubricators – Compact

- Proportional oil delivery over a wide range of air flows
- Generates oil particles of 5 micron or smaller downstream to lubricate systems having complex piping arrangements
- Precision needle valve assures repeatable oil delivery and provides simple adjustment of delivery rate
- Ideal for low and high flow applications with changing air flow
- Transparent sight dome for 360° visibility
- Yellow fill cap identifies micro-mist lubricator
- Integral 1/4", 3/8", 1/2" (NPT)



| Operating information | | |
|--|------|---|
| Supply pressure (max): | | |
| Plastic bowl | | 150 psig (10.3 bar) |
| Metal bowl | | 250 psig (17.2 bar) |
| Operating temperature: | | |
| Plastic bowl | | 32°F to 125°F (0°C to 52°C) |
| Metal bowl | | 32°F to 175°F (0°C to 80°C) |
| Flow capacity†: | | |
| High flow | 1/4" | 40 scfm (18.9 dm³/s, ANR) |
| | 3/8" | 60 scfm (28.3 dm³/s, ANR) |
| | 1/2" | 90 scfm (42.5 dm³/s, ANR) |
| Minimum flow | | 1 scfm (0.5 dm³/s, ANR) at 100 psig (6.9 bar) |
| Bowl capacity: | | 2.6 oz. |
| Weight: | | 1.2 lb (0.5 kg) |
| † scfm = Standard cubic feet per minute at 90 psig inlet and 5 psig pressure drop. | | |

Ordering Information:

| Port Size | Description ‡ | Part Number |
|-----------|---|----------------|
| 1/4" | Poly Bowl, Metal Bowl Guard, No Drain, With Fill Plug | 16L12BE |
| 1/4" | Metal Bowl, Sight Gauge, Twist Drain, With Fill Plug | 16L14BE |
| 3/8" | Poly Bowl, Metal Bowl Guard, No Drain, With Fill Plug | 16L22BE |
| 3/8" | Metal Bowl, Sight Gauge, Twist Drain, With Fill Plug | 16L24BE |
| 1/2" | Poly Bowl, Metal Bowl Guard, No Drain, With Fill Plug | 16L32BE |
| 1/2" | Metal Bowl, Sight Gauge, Twist Drain, With Fill Plug | 16L34BE |

‡ For polycarbonate bowl and sight dome, see caution in Engineering Section A.

Suggested LubricantF442 Oil

Petroleum based oil of 100 to 200 SUS viscosity at 100°F (38°C) and an aniline point greater than 200°F (93°C)
(DO NOT USE OILS WITH ADDITIVES, COMPOUNDED OILS CONTAINING SOLVENTS, GRAPHITE, DETERGENTS, OR SYNTHETIC OILS.)

Most popular.

Prep-Air® II Products

Filters

Coalescers

Regulators

Filter / Regulators

Lubricators

Combinations

Accessories



For inventory, lead times, and kit lookup, visit www.pdnplu.com

Compact Micro-Mist Lubricators

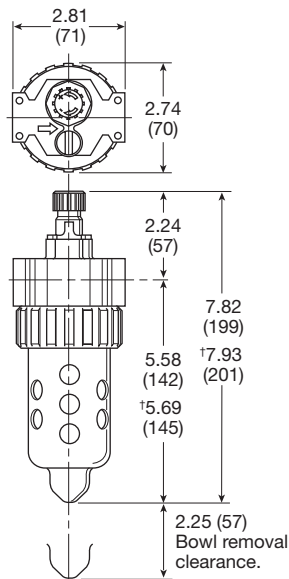
Air Preparation Products Prep-Air® II Series

Material Specifications

| | |
|--------------------------------------|-------------------|
| Body | Zinc |
| Transparent bowls | Polycarbonate |
| Metal bowl (with sight gauge) | Zinc |
| Bowl guard | Steel |
| Collar | Plastic |
| Twist drain – body & nut | Plastic |
| Injector meter block & base assembly | Plastic |
| Seals | Nitrile |
| Sight dome | Polycarbonate |
| Sight gauge | Polyamide (nylon) |

Repair and Service Kits

| | |
|--|----------------|
| Adjustment knob | P04121 |
| Bowl guard kit | PS705P |
| Poly bowl / no drain kit | PS746P |
| Poly bowl / twist drain kit | PS717P |
| Poly bowl / pressure fill kit | PS719P |
| Poly bowl / remote fill kit | PS728P |
| Metal bowl / sight gauge / twist drain kit | PS729P |
| Twist drain kit | PS512P |
| Fill cap kit | PS742P |
| Lubricator service kit | PS748P |
| Mounting bracket kit | PS743P |
| Pressure fill adapter kit | PS716P |
| Pressure fill button | P11912 |
| Sight dome / fill cap kit | PS739P |
| Sight dome kit, polycarbonate | PS740P |
| Sight dome kit, nylon | PS740N |
| Oil (1 quart) | F442001 |
| Oil (1 gallon) | F442002 |
| Oil (12 quart case) | F442003 |
| Oil (4 gallon case) | F442005 |

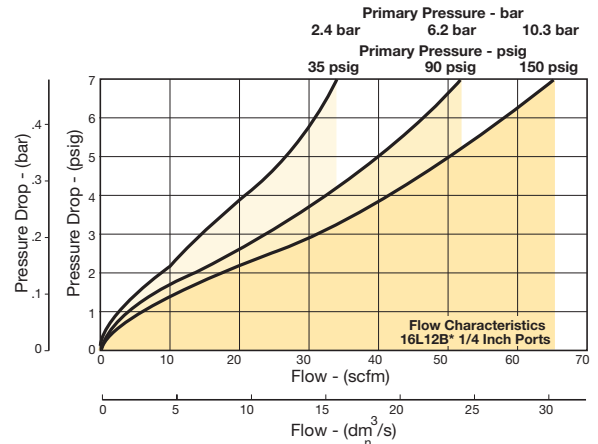


† With twist drain
Inches (mm)

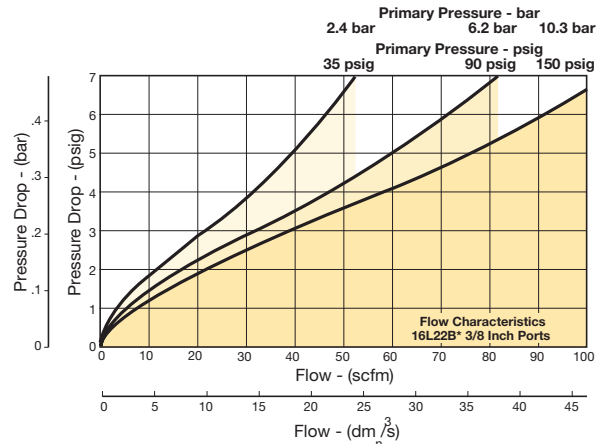
Bowl removal
clearance.

Flow Charts

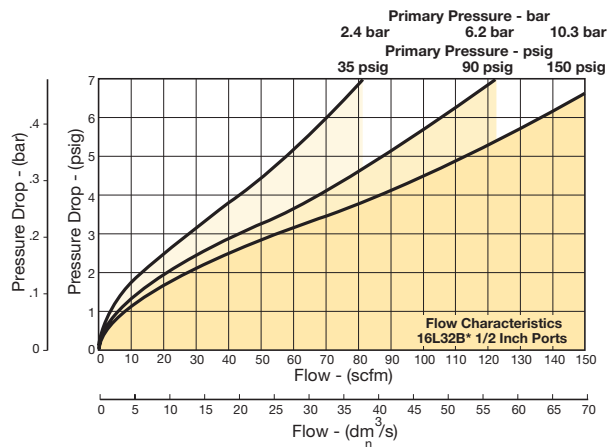
16L 1/4" Lubricator



16L 3/8" Lubricator



16L 1/2" Lubricator



Prep-Air® II
Products



Filters

Coalescers

Regulators

Filter /
Regulators

Lubricators

Combinations

Accessories



For inventory, lead times, and kit
lookup, visit www.pdnplu.com

Standard Micro-Mist Lubricators

17L Micro-Mist Lubricators – Standard

- Proportional oil delivery over a wide range of air flows
- Generates oil particles of 5 micron or smaller downstream to lubricate systems having complex piping arrangements
- Precision needle valve assures repeatable oil delivery and provides simple adjustment of delivery rate
- Ideal for low and high flow applications with changing air flow
- Transparent sight dome for 360° visibility
- Yellow fill cap identifies Micro-Mist Lubricator.
- Integral 1/2", 3/4" ports (NPT)



| Operating information | | |
|--|------|---|
| Supply pressure (max): | | |
| Plastic bowl | | 150 psig (10.3 bar) |
| Metal bowl | | 250 psig (17.2 bar) |
| Operating temperature: | | |
| Plastic bowl | | 32°F to 125°F (0°C to 52°C) |
| Metal bowl | | 32°F to 175°F (0°C to 80°C) |
| Flow capacity†: | | |
| High flow | 1/2" | 90 scfm (42.5 dm³/s, ANR) |
| | 3/4" | 90 scfm (42.5 dm³/s, ANR) |
| Minimum flow | | 1 scfm (0.5 dm³/s, ANR) at 100 psig (6.9 bar) |
| Bowl capacity: | | 4.9 oz. |
| Weight: | | 1.9 lb (0.9 kg) |
| † scfm = Standard cubic feet per minute at 90 psig inlet and 5 psig pressure drop. | | |

Ordering Information:

| Port Size | Description ‡ | Part Number |
|-----------|--|----------------|
| 1/2" | Poly Bowl, Metal Bowl Guard, No Drain, With Fill Plug | 17L32BE |
| 1/2" | Metal Bowl, Sight Gauge, Twist Drain, With Fill Plug | 17L34BE |
| 1/2" | Poly Bowl, Metal Bowl Guard, Pressure Fill, With Fill Plug | 17L36BE |
| 3/4" | Poly Bowl, Metal Bowl Guard, No Drain, With Fill Plug | 17L42BE |
| 3/4" | Metal Bowl, Sight Gauge, Twist Drain, With Fill Plug | 17L44BE |
| 3/4" | Poly Bowl, Metal Bowl Guard, Pressure Fill, With Fill Plug | 17L46BE |

‡ For polycarbonate bowl and sight dome, see caution in Engineering Section A.

Suggested LubricantF442 Oil

Petroleum based oil of 100 to 200 SUS viscosity at 100°F (38°C) and an aniline point greater than 200°F (93°C)
 (DO NOT USE OILS WITH ADDITIVES, COMPOUNDED OILS CONTAINING SOLVENTS, GRAPHITE, DETERGENTS, OR SYNTHETIC OILS.)

Most popular.



For inventory, lead times, and kit lookup, visit www.pdnplu.com

| |
|-----------------------|
| Prep-Air® II Products |
| |
| Filters |
| Coalescers |
| Regulators |
| Filter / Regulators |
| Lubricators |
| Combinations |
| Accessories |

Standard Micro-Mist Lubricators

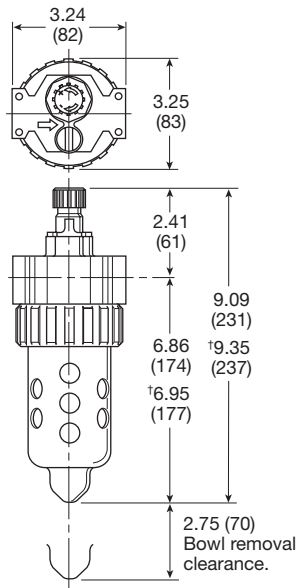
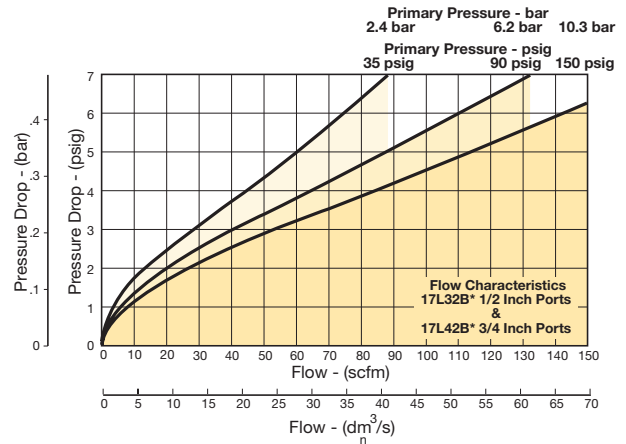
Air Preparation Products Prep-Air® II Series

Material Specifications

| | |
|--------------------------------------|-------------------|
| Body | Zinc |
| Transparent bowl | Polycarbonate |
| Metal bowl (with sight gauge) | Zinc |
| Bowl guard | Steel |
| Collar | Plastic or Metal |
| Twist drain- body & nut | Plastic |
| Injector meter block & base assembly | Plastic |
| Seals | Nitrile |
| Sight dome | Polycarbonate |
| Sight gauge | Polyamide (nylon) |

Flow Charts

17L 1/2" & 3/4" Lubricator



† With twist drain
Inches (mm)

Repair and Service Kits

| | |
|--|----------------|
| Adjustment knob | P04121 |
| Bowl guard kit | PS805P |
| Poly bowl / no drain kit | PS846P |
| Poly bowl / twist drain kit | PS817P |
| Poly bowl / pressure fill kit | PS819P |
| Metal bowl / sight gauge / twist drain kit | PS829P |
| Metal bowl / sight gauge / pressure fill kit | PS820P |
| Twist drain kit | PS512P |
| Fill cap kit | PS742P |
| Lubricator service kit | PS748P |
| Mounting bracket kit | PS843P |
| Pressure fill adapter kit | PS716P |
| Pressure fill button | P11912 |
| Sight dome / fill cap kit | PS739P |
| Sight dome kit, polycarbonate | PS740P |
| Sight dome kit, nylon | PS740N |
| Oil (1 quart) | F442001 |
| Oil (1 gallon) | F442002 |
| Oil (12 quart case) | F442003 |
| Oil (4 gallon case) | F442005 |

Prep-Air® II
Products



Filters

Coalescers

Regulators

Filter /
Regulators

Lubricators

Combinations

Accessories



For inventory, lead times, and kit lookup, visit www.pdnplu.com

Compact Mist Lubricators

06L Mist Lubricators – Compact

- Proportional oil delivery over a wide range of air flows
- Precision needle valve assures repeatable oil delivery and provides simple adjustment of delivery rate
- Bowl can be filled while air line is under pressure
- Transparent sight dome for 360° visibility
- Integral 1/4", 3/8", 1/2" ports (NPT)



Operating information

| | | |
|--|------|--|
| Supply pressure (max): | | |
| Plastic bowl | | 150 psig (10.3 bar) |
| Metal bowl | | 250 psig (17.2 bar) |
| Operating temperature: | | |
| Plastic bowl | | 32°F to 125°F (0°C to 52°C) |
| Metal bowl | | 32°F to 175°F (0°C to 80°C) |
| Flow capacity†: | | |
| High flow | 1/4" | 40 scfm (18.9 dm³/s, ANR) |
| | 3/8" | 60 scfm (28.3 dm³/s, ANR) |
| | 1/2" | 90 scfm 42.5 dm³/s, ANR) |
| Minimum flow | | 0.5 2 scfm (0.24 dm³/s, ANR) at 100 psig (6.9 bar) |
| Bowl capacity: | | 2.9 oz. |
| Weight: | | 1.2 lb (0.5 kg) |
| † scfm = Standard cubic feet per minute at 90 psig inlet and 5 psig pressure drop. | | |

Ordering Information:

| Port Size | Description ‡ | Part Number |
|-----------|---|-----------------|
| 1/4" | Poly Bowl, Metal Bowl Guard, No Drain, With Fill Plug | 06L12BE |
| 1/4" | Metal Bowl, Sight Gauge, Twist Drain, With Fill Plug | 06L14BE |
| 3/8" | Poly Bowl, Metal Bowl Guard, No Drain, With Fill Plug | 06L22BE |
| 3/8" | Metal Bowl, Sight Gauge, Twist Drain, With Fill Plug | 06L24BE |
| 1/2" | Poly Bowl, Metal Bowl Guard, No Drain, With Fill Plug | 06L32BE |
| 1/2" | Metal Bowl, Sight Gauge, Twist Drain, With Fill Plug | 06L34BE |
| G1/2" | Poly Bowl, Metal Bowl Guard, No Drain, With Fill Plug | 06L32BE1 |

‡ For polycarbonate bowl and sight dome, see caution in Engineering Section A.

Suggested LubricantF442 Oil

Petroleum based oil of 100 to 200 SUS viscosity at 100°F (38°C) and an aniline point greater than 200°F (93°C)
(DO NOT USE OILS WITH ADDITIVES, COMPOUNDED OILS CONTAINING SOLVENTS, GRAPHITE, DETERGENTS, OR SYNTHETIC OILS.)

Most popular.

Prep-Air® II
Products



Filters

Coalescers

Regulators

Filter /
Regulators

Lubricators

Combinations

Accessories



For inventory, lead times, and kit lookup, visit www.pdnplu.com

Compact Mist Lubricators

Air Preparation Products Prep-Air® II Series

Material Specifications

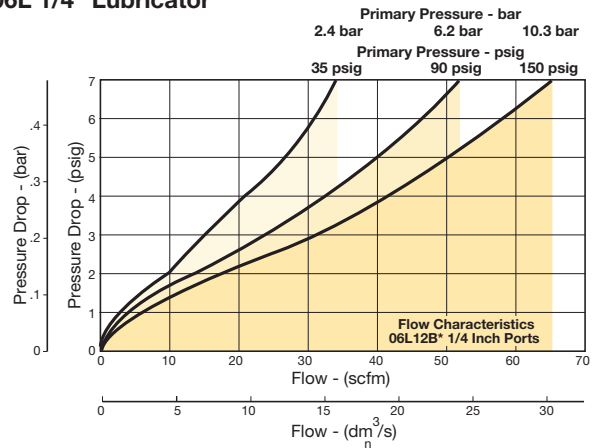
| | |
|--------------------------------------|-------------------|
| Body | Zinc |
| Transparent bowl | Polycarbonate |
| Metal bowl (with sight gauge) | Zinc |
| Bowl guard | Steel |
| Collar | Plastic |
| Twist drain – body & nut | Plastic |
| Injector meter block & base assembly | Plastic |
| Seals | Nitrile |
| Sight dome | Polycarbonate |
| Sight gauge | Polyamide (nylon) |

Repair and Service Kits

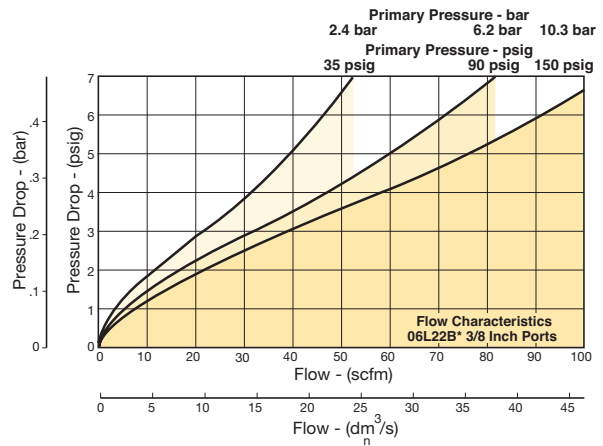
| | |
|--|----------------|
| Adjustment knob | P04121 |
| Bowl guard kit | PS705P |
| Poly bowl / no drain kit | PS746P |
| Poly bowl / twist drain kit | PS717P |
| Poly bowl / pressure fill kit | PS719P |
| Metal bowl / sight gauge / twist drain kit | PS729P |
| Metal bowl / sight gauge / pressure fill kit | PS720P |
| Twist drain kit | PS512P |
| Fill cap kit | PS741P |
| Lubricator service kit | PS718P |
| Mounting bracket kit | PS743P |
| Pressure fill adapter kit | PS716P |
| Pressure fill button | P11912 |
| Sight dome / fill cap kit | PS738P |
| Sight dome kit, polycarbonate | PS740P |
| Sight dome kit, nylon | PS740N |
| Oil (1 quart) | F442001 |
| Oil (1 gallon) | F442002 |
| Oil (12 quart case) | F442003 |
| Oil (4 gallon case) | F442005 |

Flow Charts

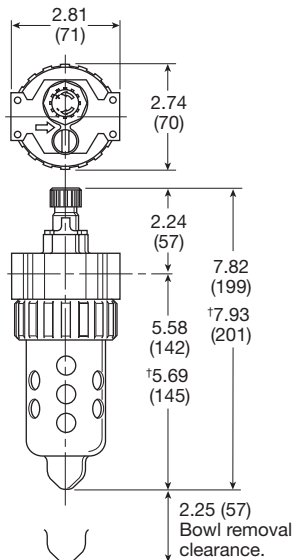
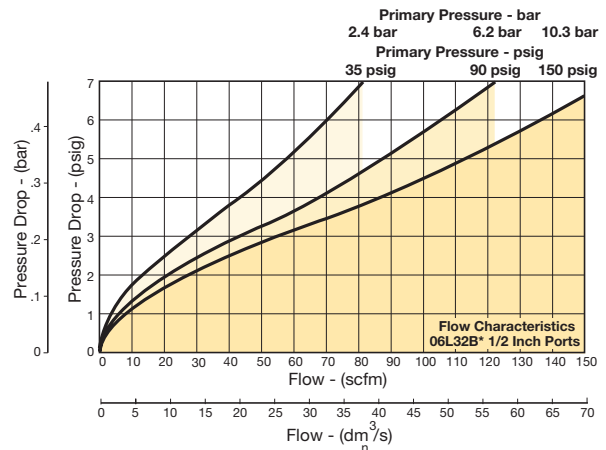
06L 1/4" Lubricator



06L 3/8" Lubricator



06L 1/2" Lubricator



† With twist drain
 Inches (mm)

Prep-Air® II
 Products



Filters

Coalescers

Regulators

Filter /
 Regulators

Lubricators

Combinations

Accessories



For inventory, lead times, and kit lookup, visit www.pdnplu.com

Standard Mist Lubricators

07L Mist Lubricators – Standard

- Proportional oil delivery over a wide range of air flows
- Precision needle valve assures repeatable oil delivery and provides simple adjustment of delivery rate
- Bowl can be filled while air line is under pressure
- Transparent sight dome for 360° visibility
- Integral 1/2", 3/4" ports (NPT)



| Operating information | | |
|--|------|--|
| Supply pressure (max): | | |
| Plastic bowl | | 150 psig (10.3 bar) |
| Metal bowl | | 250 psig (17.2 bar) |
| Operating temperature: | | |
| Plastic bowl | | 32°F to 125°F (0°C to 52°C) |
| Metal bowl | | 32°F to 175°F (0°C to 80°C) |
| Flow capacity†: | | |
| High flow | 1/2" | 90 scfm (42.5 dm³/s, ANR) |
| | 3/4" | 90 scfm (42.5 dm³/s, ANR) |
| Minimum flow | | 0.5 2 scfm (0.24 dm³/s, ANR) at 100 psig (6.9 bar) |
| Bowl capacity: | | 6.0 oz. |
| Weight: | | 1.9 lb (0.9 kg) |
| † scfm = Standard cubic feet per minute at 90 psig inlet and 5 psig pressure drop. | | |

Ordering Information:

| Port Size | Description ‡ | Part Number |
|-----------|--|-----------------|
| 1/2" | Poly Bowl, Metal Bowl Guard, No Drain, With Fill Plug | 07L32BE |
| 1/2" | Metal Bowl, Sight Gauge, Twist Drain, With Fill Plug | 07L34BE |
| 1/2" | Metal Bowl, Sight Gauge, Twist Drain, With Fill Plug | 07L34FE |
| 1/2" | Poly Bowl, Metal Bowl Guard, Twist Drain, With Fill Plug | 07L3NBE |
| 3/4" | Poly Bowl, Metal Bowl Guard, No Drain, With Fill Plug | 07L42BE |
| 3/4" | Metal Bowl, Sight Gauge, Twist Drain, With Fill Plug | 07L44BE |
| 1/2" BSPP | Poly Bowl, Metal Bowl Guard, No Drain, With Fill Plug | 07L32BE1 |

‡ For polycarbonate bowl and sight dome, see caution in Engineering Section A.

Suggested Lubricant **F442 Oil**

Petroleum based oil of 100 to 200 SUS viscosity at 100°F (38°C) and an aniline point greater than 200°F (93°C)
 (DO NOT USE OILS WITH ADDITIVES, COMPOUNDED OILS CONTAINING SOLVENTS, GRAPHITE, DETERGENTS, OR SYNTHETIC OILS.)

Most popular.



For inventory, lead times, and kit lookup, visit www.pdnplu.com

Prep-Air® II Products

 Filters
 Coalescers
 Regulators
 Filter / Regulators
 Lubricators
 Combinations
 Accessories

Standard Mist Lubricators

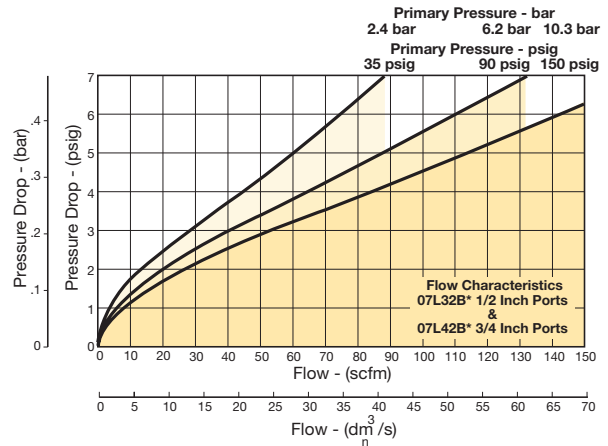
Air Preparation Products Prep-Air® II Series

Material Specifications

| | |
|--------------------------------------|-------------------|
| Body | Zinc |
| Transparent bowl | Polycarbonate |
| Metal bowl (with sight gauge) | Zinc |
| Bowl guard | Steel |
| Collar | Plastic or metal |
| Twist drain – body & nut | Plastic |
| Injector meter block & base assembly | Plastic |
| Seals | Nitrile |
| Sight dome | Polycarbonate |
| Sight gauge | Polyamide (nylon) |

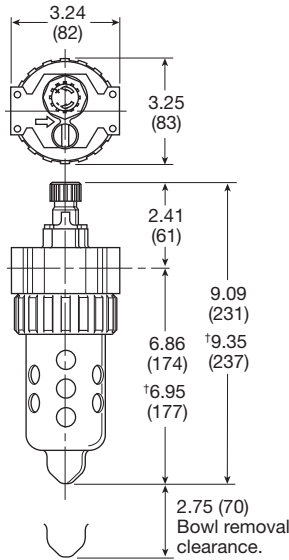
Flow Charts

07L 1/2" & 3/4" Lubricator



Repair and Service Kits

| | |
|--|----------------|
| Adjustment knob | P04121 |
| Bowl guard kit | PS805P |
| Poly bowl / no drain | PS846P |
| Poly bowl / twist drain | PS817P |
| Poly bowl / pressure fill | PS819P |
| Metal bowl / sight gauge / twist drain | PS829P |
| Metal bowl / sight gauge / pressure fill | PS820P |
| Twist drain kit | PS512P |
| Fill cap kit | PS741P |
| Lubricator service kit | PS718P |
| Mounting bracket kit | PS843P |
| Pressure fill adapter kit | PS716P |
| Pressure fill button | P11912 |
| Sight dome / fill cap kit | PS738P |
| Sight dome kit, polycarbonate | PS740P |
| Sight dome kit, nylon | PS740N |
| Oil (1 quart) | F442001 |
| Oil (1 gallon) | F442002 |
| Oil (12 quart case) | F442003 |
| Oil (4 gallon case) | F442005 |



† With twist drain
Inches (mm)

Prep-Air® II
Products



Filters

Coalescers

Regulators

Filter /
Regulators

Lubricators

Combinations

Accessories

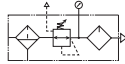


For inventory, lead times, and kit lookup, visit www.pdnplu.com

Close Nipped Combinations

06 Compact, 07 Standard Close Nipped Series Combinations

- Regulator can be mounted with knob in up or down position
- 40 micron filter element standard, 5 micron optional
- Manual twist drain
- Relieving regulator



06A/16G Compact Standard Close Nipped Series Combinations:

| Port Size | Filter Bowl Type ‡ | Element Type | Relief Type | Pressure Range | Lubricator Bowl Type | Lubricator Type | 2-unit / 3-unit | Part Numbers |
|-----------|--|--------------|-------------|-----------------------|---------------------------------------|----------------------------|-----------------|---------------------|
| 3/8" | Poly Bowl, Metal Bowl Guard, Twist Drain | 40 micron | Relieving | 2-125 psi w/out gauge | Poly Bowl, Metal Bowl Guard, No Drain | Mist, With Fill Plug | 2-unit | 06G22A13A2BC |
| 3/8" | Metal Bowl, Sight Gauge, Twist Drain | 40 micron | Relieving | 2-125 psi w/out gauge | Metal Bowl, Sight Gauge, Twist Drain | Mist, With Fill Plug | 2-unit | 06G24A13A4BC |
| 1/2" | Poly Bowl, Metal Bowl Guard, Twist Drain | 40 micron | Relieving | 2-125 psi w/gauge | Poly Bowl, Metal Bowl Guard, No Drain | Mist, With Fill Plug | 2-unit | 06G32A18A2BC |
| 1/2" | Poly Bowl, Metal Bowl Guard, Twist Drain | 40 micron | Relieving | 2-125 psi w/gauge | Poly Bowl, Metal Bowl Guard, No Drain | Micro-Mist, With Fill Plug | 3-unit | 16G32A18A2BC |

07A/17G Standard Close Nipped Series Combinations:

| Port Size | Filter Bowl Type ‡ | Element Type | Relief Type | Pressure Range | Lubricator Bowl Type | Lubricator Type | 2-unit / 3-unit | Part Numbers |
|-----------|---|--------------|-------------|-----------------------|---------------------------------------|----------------------------|-----------------|---------------------|
| 1/2" | Metal Bowl, Twist Drain | 40 micron | Relieving | 2-125 psi w/out gauge | Metal Bowl, Sight Gauge, Twist Drain | Micro-Mist, With Fill Plug | 2-unit | 17G33A13A4BD |
| 1/2" | Poly Bowl, Metal Bowl Guard, Twist Drain | 40 micron | Relieving | 2-125 psi w/out gauge | Poly Bowl, Metal Bowl Guard, No Drain | Mist, With Fill Plug | 3-unit | 07A32A13A2BD |
| 1/2" | Metal Bowl, Twist Drain | 40 micron | Relieving | 2-125 psi w/gauge | Metal Bowl, Sight Gauge, Twist Drain | Mist, With Fill Plug | 3-unit | 07A33A18A4BD |
| 3/4" | Poly Bowl, Metal Bowl Guard, Twist Drain | 40 micron | Relieving | 2-125 psi w/out gauge | Poly Bowl, Metal Bowl Guard, No Drain | Mist, With Fill Plug | 3-unit | 07A42A13A2BD |
| 3/4" | Poly Bowl, Metal Bowl Guard, Twist Drain | 40 micron | Relieving | 2-125 psi w/gauge | Poly Bowl, Metal Bowl Guard, No Drain | Mist, With Fill Plug | 3-unit | 07A42A18A2BD |
| 3/4" | Poly Bowl, Metal Bowl Guard, Auto Float Drain | 5 micron | Relieving | 2-125 psi w/gauge | Poly Bowl, Metal Bowl Guard, No Drain | Mist, With Fill Plug | 3-unit | 07A46B18A2BD |

WARNING

Product rupture can cause serious injury.
Do not connect regulator to bottled gas.
Do not exceed Maximum primary pressure rating.

CAUTION:

REGULATOR PRESSURE ADJUSTMENT – The working range of knob adjustment is designed to permit outlet pressures within their full range. Pressure adjustment beyond this range is also possible because the knob is not a limiting device. This is a common characteristic of most industrial regulators, and limiting devices may be obtained only by special design. For best performance, regulated pressure should always be set by increasing the pressure up to the desired setting.

Most popular.



For inventory, lead times, and kit lookup, visit www.pdnplu.com



Ordering Information:

Reference Only
(See discrete part list)

| | |
|-----------------------------|-----|
| Series | |
| Micro-Mist Compact, 3-Unit | 16A |
| Micro-Mist Compact, 2-Unit | 16G |
| Micro-Mist Standard, 2-Unit | 17G |
| Mist Compact, 3-Unit | 06A |
| Mist Standard, 3-Unit | 07A |
| Mist Compact, 2-Unit | 06G |

| | |
|------------------|---|
| Port Size | |
| 1/4 Inch | 1 |
| 3/8 Inch (06/16) | 2 |
| 1/2 Inch | 3 |
| 3/4 Inch (07/17) | 4 |

| | |
|---|---|
| Filter Bowl Options | |
| Poly Bowl, Metal Bowl Guard, Twist Drain | 2 |
| Poly Bowl, Metal Bowl Guard, Auto Float Drain | 6 |
| Metal Bowl, Twist Drain | 3 |
| Metal Bowl, Sight Gauge, Auto Float Drain | 4 |

| | |
|-----------------------|---|
| Filter Element | |
| 40 Micron | A |
| 5 Micron | B |

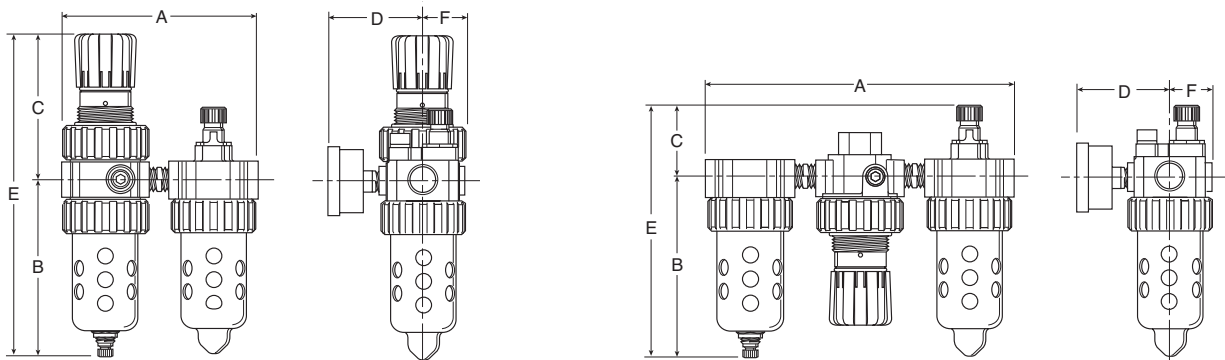
| | |
|--------------------------|-------------------------------|
| Engineering Level | |
| C | 06A, 16A, 06G, 16G Current |
| D | 07A, 17A, 07G, 17G Current |

| | |
|--------------------------------|----------------|
| Lubricator Body Options | |
| B | With Fill Plug |

| | |
|--------------------------------|---------------------------------------|
| Lubricator Bowl Options | |
| 2 | Poly Bowl, Metal Bowl Guard, No Drain |
| 4 | Metal Bowl, Sight Gauge, Twist Drain |

| | |
|---------------|-----------|
| Relief | |
| A | Relieving |

| | | | |
|-----------------------|----------------------|-------------------|----------|
| Pressure Range | | | |
| | Without Gauge | With Gauge | |
| | 13 | 18 | 125 psig |



06G, 16G Series

| A | B | C | D | E | F |
|---------------|---------------|---------------|--------------|----------------|--------------|
| 6.13 (156) | 5.69 (145) | 4.69 (119) | 3.18 (81) | 10.38 (264) | 1.37 (35) |

06A, 16A Series

| A | B | C | D | E | F |
|---------------|---------------|--------------|--------------|---------------|--------------|
| 9.45 (240) | 5.69 (145) | 2.24 (57) | 3.18 (81) | 7.93 (201) | 1.37 (35) |

07G, 17G Series

| A | B | C | D | E | F |
|---------------|---------------|---------------|--------------|----------------|--------------|
| 6.99 (178) | 6.97 (177) | 4.79 (122) | 3.44 (87) | 11.76 (299) | 1.63 (41) |

07A, 17A Series

| A | B | C | D | E | F |
|-----------------|---------------|--------------|--------------|---------------|--------------|
| 10.74 (2738) | 6.97 (177) | 2.41 (61) | 3.44 (87) | 9.38 (238) | 1.63 (41) |

Inches (mm)
• All dimensions nominal.

Inches (mm)
• All dimensions nominal.

- Prep-Air® II Products
- Filters
- Coalescers
- Regulators
- Filter / Regulators
- Lubricators
- Combinations
- Accessories

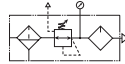


For inventory, lead times, and kit lookup, visit www.pdnplu.com

Modular Combinations

07 Standard Modular Series Combinations

- Regulator can be mounted with knob in up or down position
- 40 micron filter element standard, 5 micron optional
- Manual twist drain
- Relieving regulator



07B/17B/17H Standard Modular Series Combinations:

| Port Size | Filter Bowl Type ‡ | Element Type | Relief Type | Pressure Range | Lubricator Bowl Type | Lubricator Type | 2-unit / 3-unit | Modular Options | Part Numbers |
|-----------|--|--------------|-------------|-----------------------|---------------------------------------|----------------------------|-----------------|---------------------|----------------------|
| 3/4" | Metal Bowl, Sight Gauge, Twist Drain | 5 micron | Relieving | 5-250 psi w/ gauge | Metal Bowl, Sight Gauge, Twist Drain | Micro-Mist, With Fill Plug | 2-unit | | 17H44B21A4BD |
| 1/2" | Poly Bowl, Metal Bowl Guard, Twist Drain | 40 micron | Relieving | 2-125 psi w/out gauge | Poly Bowl, Metal Bowl Guard, No Drain | Mist, With Fill Plug | 3-unit | | 07B32A13A2BD |
| 1/2" | Poly Bowl, Metal Bowl Guard, Twist Drain | 40 micron | Relieving | 2-125 psi w/ gauge | Poly Bowl, Metal Bowl Guard, No Drain | Mist, With Fill Plug | 3-unit | W/ Mounting Bracket | 07B32A18A2BDW |
| 1/2" | Metal Bowl, Twist Drain | 40 micron | Relieving | 5-250 psi w/ gauge | Metal Bowl, Twist Drain | Mist, With Fill Plug | 3-unit | | 07B33A21A3BD |
| 3/4" | Metal Bowl, Twist Drain | 40 micron | Relieving | 2-125 psi w/ gauge | Metal Bowl, Sight Gauge, Twist Drain | Mist, With Fill Plug | 3-unit | W/ Mounting Bracket | 07B43A18A4BDW |
| 1/2" | Poly Bowl, Metal Bowl Guard, Twist Drain | 40 micron | Relieving | 2-125 psi w/ gauge | Poly Bowl, Metal Bowl Guard, No Drain | Micro-Mist, With Fill Plug | 3-unit | | 17B32A18A2BD |
| 3/4" | Poly Bowl, Metal Bowl Guard, Twist Drain | 40 micron | Relieving | 2-125 psi w/ gauge | Poly Bowl, Metal Bowl Guard, No Drain | Micro-Mist, With Fill Plug | 3-unit | | 17B42A18A2BD |

| |
|--|
| WARNING |
| Product rupture can cause serious injury. Do not connect regulator to bottled gas. Do not exceed Maximum primary pressure rating. |

CAUTION:

REGULATOR PRESSURE ADJUSTMENT – The working range of knob adjustment is designed to permit outlet pressures within their full range. Pressure adjustment beyond this range is also possible because the knob is not a limiting device. This is a common characteristic of most industrial regulators, and limiting devices may be obtained only by special design. For best performance, regulated pressure should always be set by increasing the pressure up to the desired setting.

Most popular.

| |
|-----------------------|
| Prep-Air® II Products |
| |
| Filters |
| Coalescers |
| Regulators |
| Filter / Regulators |
| Lubricators |
| Combinations |
| Accessories |

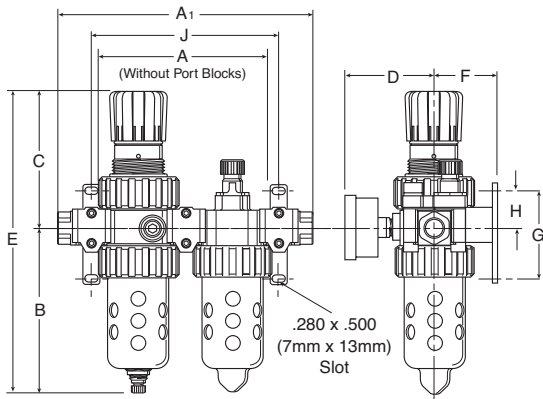


For inventory, lead times, and kit lookup, visit www.pdnplu.com

Ordering Information:

Reference Only
(See discrete part list)

| | | | |
|---------------------------------|---|---------------------------------|-------------------------------------|
| Series | Micro-Mist Standard, 3-Unit 17B | Micro-Mist Standard, 2-Unit 17H | Mist Standard, 3-Unit 07B |
| Port Size | 1/4 Inch (06/16) 1 | 3/8 Inch 2 | 1/2 Inch (06/16 with Port Blocks) 3 |
| | 3/4 Inch (07/17) 4 | | |
| Filter Bowl Options | Poly Bowl, Metal Bowl Guard, Twist Drain 2 | | |
| | Metal Bowl, Twist Drain 3 | | |
| | Metal Bowl, Sight Gauge, Auto Float Drain 4 | | |
| Filter Element | 40 Micron A | | |
| | 5 Micron B | | |
| Pressure Range | Without Gauge | | With Gauge |
| | 13 | 125 psig | 18 125 psig |
| | 15* | 250 psig | 21* 250 psig |
| * Only available on metal bowl. | | | |
| Engineering Level | 07B, 17B, D 07H, 17H Current | | |
| Modular Options | Blank No Port Blocks | | |
| | W With Mounting Bracket | | |
| Lubricator Body Options | B With Fill Plug | | |
| Lubricator Bowl Options | 2 Poly Bowl, Metal Bowl Guard, No Drain | | |
| | 4 Metal Bowl, Sight Gauge, Twist Drain | | |
| Relief | A Relieving | | |



06H, 16H Series (Reference Only)

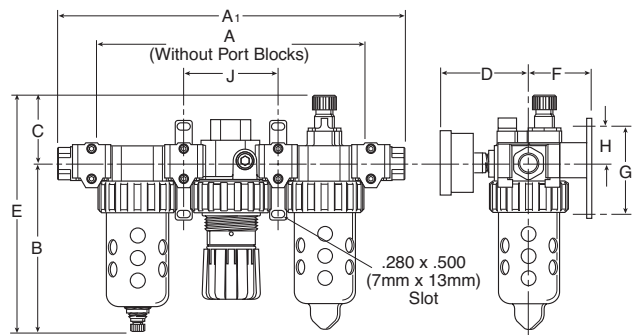
| A | A1 | B | C | D | E | F | G | H | J |
|-------|-------|-------|-------|------|-------|------|------|------|-------|
| 6.10 | 9.04 | 5.69 | 4.69 | 3.18 | 10.38 | 2.00 | 3.58 | 1.40 | 6.65 |
| (155) | (230) | (145) | (119) | (81) | (264) | (51) | (91) | (36) | (169) |

07H, 17H Series

| A | A1 | B | C | D | E | F | G | H | J |
|-------|-------|-------|-------|------|-------|------|------|------|-------|
| 7.00 | 10.28 | 6.97 | 4.79 | 3.44 | 11.76 | 2.09 | 3.58 | 1.40 | 7.51 |
| (178) | (261) | (177) | (122) | (87) | (299) | (53) | (91) | (36) | (191) |

Inches (mm)

• All dimensions nominal.



06B, 16B Series (Reference Only)

| A | A1 | B | C | D | E | F | G | H | J |
|-------|-------|-------|------|------|-------|------|------|------|------|
| 9.46 | 12.39 | 5.69 | 2.24 | 3.18 | 7.93 | 2.00 | 3.58 | 1.40 | 3.33 |
| (240) | (315) | (145) | (57) | (81) | (202) | (51) | (91) | (36) | (85) |

07B, 17B Series

| A | A1 | B | C | D | E | F | G | H | J |
|-------|-------|-------|------|------|-------|------|------|------|------|
| 10.75 | 14.03 | 6.97 | 2.41 | 3.44 | 9.38 | 2.18 | 3.58 | 1.40 | 3.76 |
| (273) | (356) | (177) | (61) | (87) | (238) | (55) | (91) | (36) | (95) |

Inches (mm)

• All dimensions nominal.



For inventory, lead times, and kit lookup, visit www.pdnplu.com

Modular Accessories

Service Kits

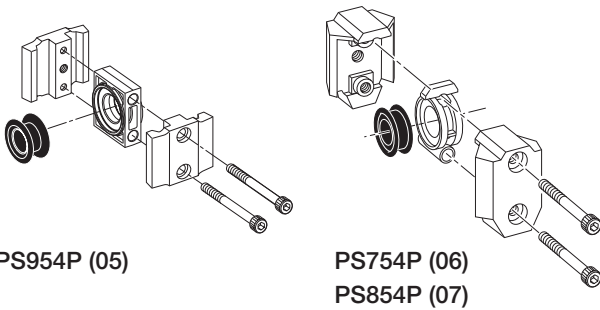
| | |
|---|---------------|
| Body connector, (05 series) | PS954P |
| Body connector, (06 series) | PS754P |
| Body connector, (07 series) | PS854P |
| Wall mounting kits (05 series) | PS955P |
| Wall mounting kits (06 & 07 series) | PS755P |
| Lockout valves, (06 series) | PS756P |
| Lockout valves, (07 series) | PS856P |
| Modular manifold block 3/8" port, (06 series) | PS757P |
| Modular manifold block 1/2" port, (07 series) | PS857P |

Body Connectors

Body connectors allow you to easily assemble and disassemble modular combinations.

Body connectors are required whenever you assemble two or more pieces together.

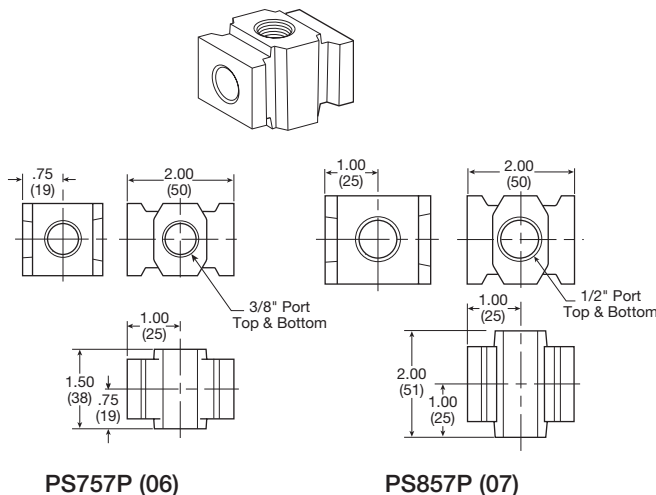
Each kit includes one set.



Modular Manifold Block

A modular manifold block can be used between any two modular units to give additional outlet ports. The manifold block provides 2 additional outlets in 3/8" and 1/2" sizes. Any standard pipe plug can be used to close off unused ports.

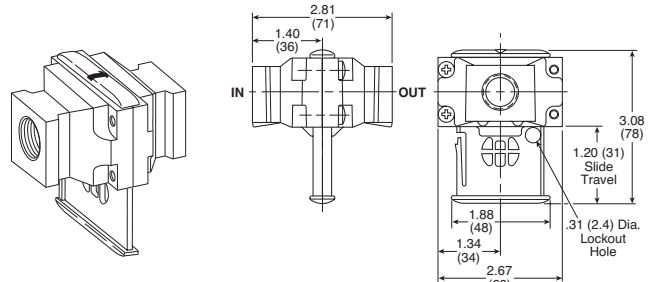
NOTE: Body connectors are not supplied with manifold blocks.



Lockout Valves

Lockout Valves provide positive shut-off and exhaust capability to isolate Modular units so they can be easily removed from the line and can be locked in a closed position. Center position can be used as a slow start. Accepts #3 padlock.

NOTE: Body connectors are not supplied with lockout valves.

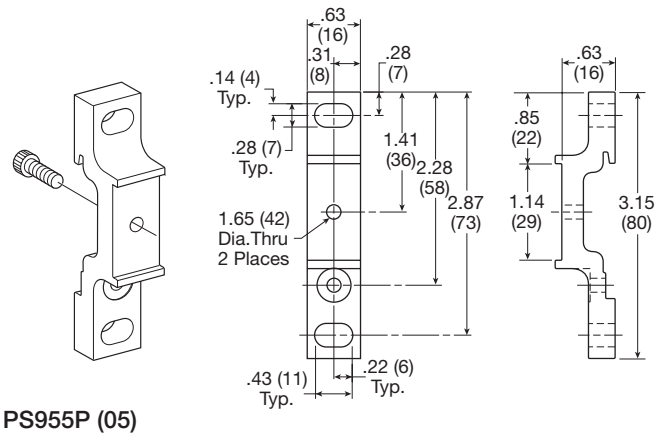


Wall Mounting Kits

Wall mounting kits are available for mounting your modular assemblies and can be assembled and used with any standard body connector set.

Since modular combinations are always identical in size, you can predrill for wall mounting on your equipment.

Kit includes 1 assembly.



PS955P (05)

PS755P (06, 07)

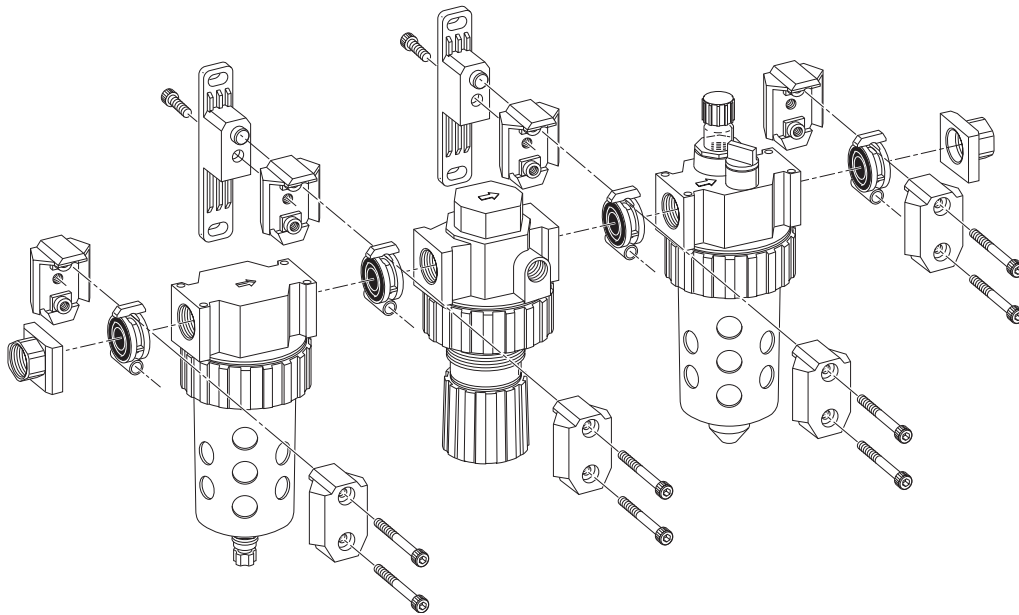
Prep-Air® II Products
 Filters
 Coalescers
 Regulators
 Filter / Regulators
 Lubricators
 Combinations
 Accessories



For inventory, lead times, and kit lookup, visit www.pdnplu.com

Modular Accessories – 06 Compact & 07 Standard Series

| |
|-----------------------|
| Prep-Air® II Products |
| Filters |
| Coalescers |
| Regulators |
| Filter / Regulators |
| Lubricators |
| Combinations |
| Accessories |



Port Block Connector Kits

06 Series

| | |
|----------------------------|------------------|
| 1/4" Port block kits, NPT | PS750P |
| 1/4" Port block kits, BSPP | PS765P † |
| 3/8" Port block kits, NPT | PS751P |
| 3/8" Port block kits, BSPP | PS766P † |
| 1/2" Port block kits, NPT | PS752P* |
| 1/2" Port block kits, BSPP | PS767P* † |

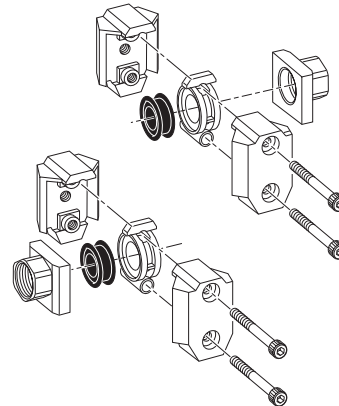
07 Series

| | |
|----------------------------|-----------------|
| 1/4" Port block kits, NPT | PS850P |
| 1/4" Port block kits, BSPP | PS865P |
| 3/8" Port block kits, NPT | PS851P |
| 3/8" Port block kits, BSPP | PS866P |
| 1/2" Port block kits, NPT | PS852P |
| 1/2" Port block kits, BSPP | PS867P ‡ |
| 3/4" Port block kits, NPT | PS853P |
| 3/4" Port block kits, BSPP | PS860P |

* Use 1/4 or 3/8 ported bodies.

† 1/4, 3/8 & 1/2 inch meet ISO 1179-1 Standard.

‡ 1/2 inch meets ISO 1179-1 Standard.



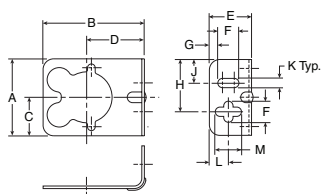
Port block connectors allow you to make threaded port connections to modular units and are available in various port sizes to match your system requirements.

Each kit includes all the necessary pieces to make two port connections.

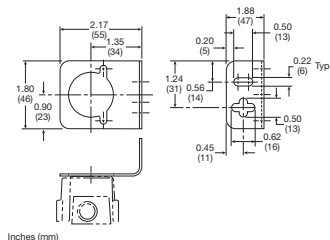


For inventory, lead times, and kit lookup, visit www.pdnplu.com

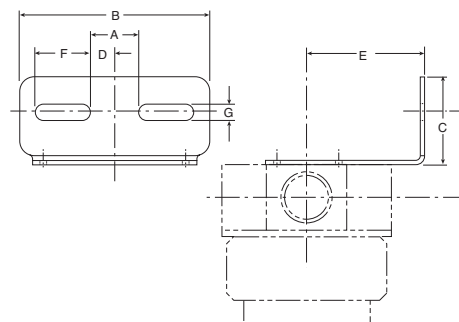
Mounting Bracket Kits



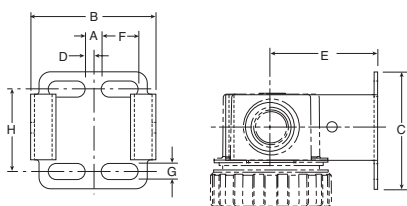
PS417BP
 (Includes Panel Mount Nut)



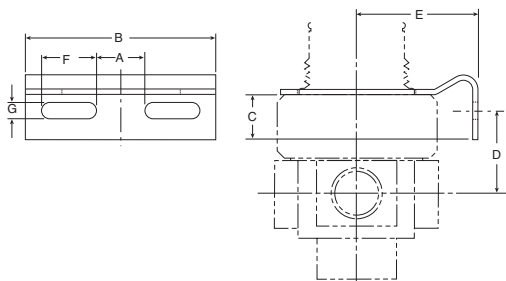
PS419
 (Includes Panel Mount Nut)



PS743P, PS843P

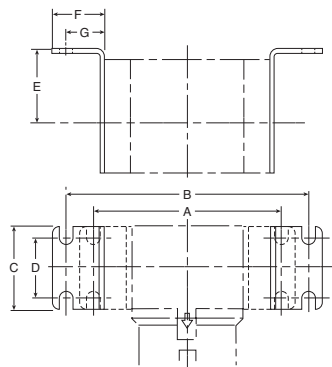


PS943P



PS707P & PS807P
 (Includes Panel Mount Nut)

PS963P
 (Includes Aluminum Panel Mount Nut)



P3NKA00MW

Dimensions

| A | B | C | D | E | F | G | H | J | K | L | M | Kit |
|---------------|---------------|--------------|--------------|--------------|--------------|--------------|--------------|--------------|-------------|--------------|--------------|---|
| 1.80 (46) | 2.37 (60) | 0.90 (23) | 1.35 (34) | 1.00 (25) | 0.50 (13) | 0.20 (5) | 1.24 (31) | 0.56 (14) | 0.22 (6) | 0.45 (11) | 0.62 (16) | PS417BP (10F, 14F, P3A, 14R, 14E) |
| 1.80 (46) | 2.17 (55) | 0.90 (23) | 1.35 (34) | 1.00 (25) | 0.50 (13) | 0.20 (5) | 1.24 (31) | 0.56 (14) | 0.22 (6) | 0.45 (11) | 0.62 (16) | PS419 (04L) |
| 0.84 (21) | 3.25 (83) | 1.50 (38) | 0.42 (11) | 2.00 (51) | 0.94 (24) | 0.28 (7) | 1.44 (37) | — | — | — | — | PS743P (06F, 11F, 06L, 16L) |
| 1.00 (25) | 3.94 (100) | 1.57 (40) | 0.50 (13) | 2.19 (56) | 1.25 (32) | 0.28 (7) | 1.68 (43) | — | — | — | — | PS843P (07F, 12F, 07L, 17L) |
| 0.28 (7) | 2.12 (54) | 2.00 (51) | 0.14 (4) | 1.85 (47) | 0.63 (16) | 0.28 (7) | 1.41 (36) | — | — | — | — | PS943P (05F, 15F, 15L) |
| 0.84 (21) | 2.59 (66) | 0.49 (12) | 1.02 (26) | 1.85 (47) | 0.61 (15) | 0.28 (7) | — | — | — | — | — | PS963P (05R, 10R, 05E, 27E) |
| 0.84 (21) | 3.26 (83) | 0.77 (20) | 1.46 (37) | 2.00 (51) | 0.94 (24) | 0.28 (7) | — | — | — | — | — | PS707P (06R, 06E, 11R) |
| 1.00 (25) | 3.94 (100) | 0.65 (17) | 1.68 (43) | 2.19 (56) | 1.25 (32) | 0.28 (7) | — | — | — | — | — | PS807P (07R, 07E, 12R) |
| 6.22 (158) | 8.19 (208) | 2.75 (70) | 1.97 (50) | 2.36 (60) | 1.77 (45) | 1.30 (33) | — | — | — | — | — | P3NKA00MW (P3NF, P3NR, P3NE, P3NL) |

inches (mm)



For inventory, lead times, and kit lookup, visit www.pdnplu.com

Prep-Air® II Products

 Filters
 Coalescers
 Regulators
 Filter / Regulators
 Lubricators
 Combinations
 Accessories



| | | | | | | | | |
|--------------------------|--|---------|------------|------------|------------------------|-------------|--------------|-------------|
| Prep-Air® II Products |  | Filters | Coalescers | Regulators | Filter / Regulators | Lubricators | Combinations | Accessories |
|--------------------------|--|---------|------------|------------|------------------------|-------------|--------------|-------------|



For inventory, lead times, and kit
lookup, visit www.pdnplu.com





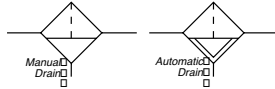
Air Preparation Products
Stainless Steel Products

| | |
|-----------------------------------|---------|
| PF504 Particulate Filters | F2-F3 |
| PF10 Particulate Filters | F4-F5 |
| PF501 Coalescing Filters | F6-F7 |
| PF11 Coalescing Filters | F8-F9 |
| PR354 & PR364 Regulators | F10-F11 |
| PR10 & PR11 Regulators | F12-F13 |
| PB548 & PB558 Filter / Regulators | F14-F15 |
| PB11 & PB12 Filter / Regulators | F16-F17 |
| PL10 Lubricators | F18-F19 |

Stainless Steel
Products

PF504 Particulate Filters – Miniature

- Stainless steel construction handles most corrosive environments
- Fluorocarbon seals standard
- Meets NACE specifications MR-01-75/ISO 15156
- 1/8" female threaded drain
- 1/4" port (NPT, BSPP)



| Port Size | Description | Part Number |
|-----------|-----------------------|----------------------|
| 1/4" | Twist Drain, NPT | PF504-02DHSS |
| 1/4" | Auto Pulse Drain, NPT | PF504-02DHRSS |

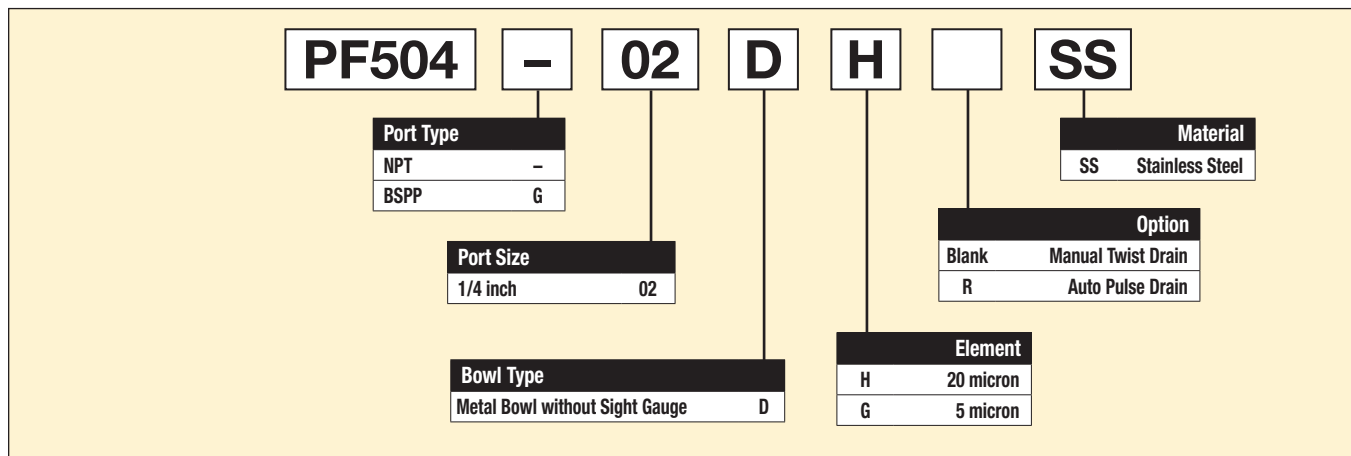
Operating information

| | |
|------------------------|--|
| Operating pressure: | |
| Twist drain | 0 to 300 psig (0 to 20.7 bar) |
| Auto pulse drain | 10 to 175 psig (0 to 12 bar) |
| Operating temperature: | |
| Twist drain | 0°F to 180°F (-18°C to 82°C) |
| Auto pulse drain | 32°F to 150°F (0°C to 66°C) |
| Flow capacity†: | 23 scfm (10.9 dm ³ /s, ANR) |
| Bowl capacity: | 1.0 oz. |
| Filter rating: | 20 micron |
| Sump capacity: | 0.4 oz. |
| Weight: | 0.6 lb (0.27 kg) |

Note: Air must be dry enough to avoid ice formation at temperatures below 32°F (0°C)

† scfm = Standard cubic feet per minute at 90 psig inlet and 5 psig pressure drop.

Ordering Information:



Most popular.

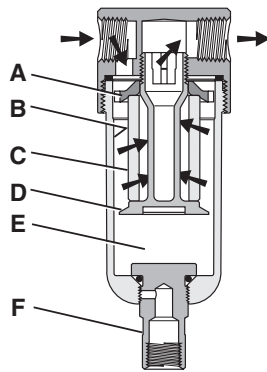


For inventory, lead times, and kit lookup, visit www.pdnplu.com

Stainless Steel Products
Filters
Coalescers
Regulators
Filter / Regulators
Lubricators

Miniature Particulate Filter

Operation

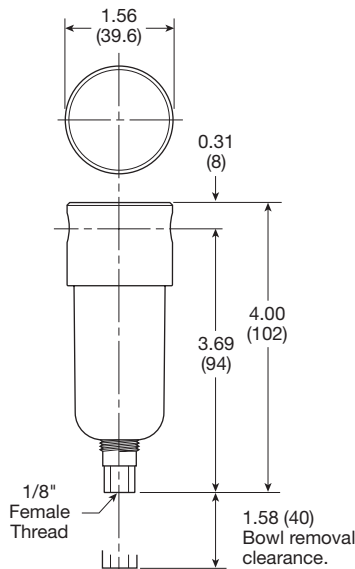


First Stage Filtration:

Air enters at inlet port and flows through deflector plate (A) which causes a swirling action. Liquids and coarse particles are forced to the bowl interior wall (B) by the centrifugal action of the swirling air. They are then carried down the bowl wall by the force of gravity. The baffle (D) separates the lower portion of the bowl into a "quiet zone" (E) where the removed liquid and particles collect, unaffected by the swirling air, and are therefore not reentrained into the flowing air.

Second Stage Filtration:

After liquids and large particles are removed in the first stages of filtration, the air flows through element (C) where smaller particles are filtered out. The filtered air then passes downstream. Collected liquids and particles in the "quiet zone" (E) should be drained before their level reaches a height where they would be reentrained in the flowing air. This can be accomplished by unscrewing the drain valve (F) slightly until the liquid begins to drain.



Inches (mm)

Air Preparation Products Stainless Steel

Material Specifications

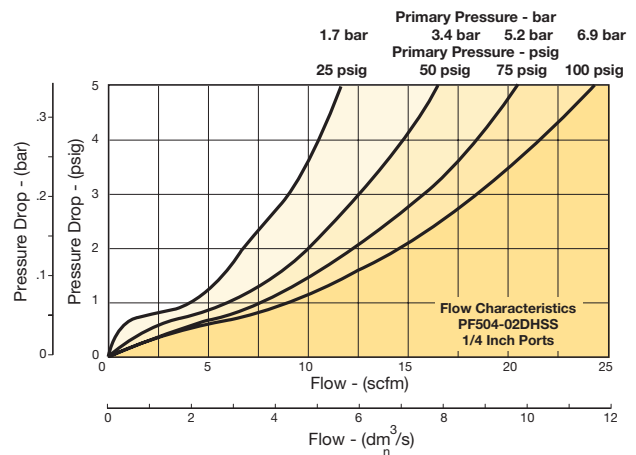
| | |
|----------------|---------------------|
| Body | 316 stainless steel |
| Bowls | 316 stainless steel |
| Deflector | Acetal |
| Drain | 316 stainless steel |
| Element holder | Acetal |
| Filter element | Polyethylene |
| Seals | Fluorocarbon |

Repair and Service Kits

| | |
|---------------------------------------|--------------------|
| Auto pulse drain | RK504SY-SS |
| Manual twist drain (small, old) | SA600Y7-1SS |
| Manual twist drain (large, new) | SAP05481 |
| 5 micron element | EK504VY |
| 20 micron element | EK504Y |
| Pipe nipple, 1/4" 316 stainless steel | 1/4 FF-SS |

Flow Charts

PF504 1/4" Filter



F

Stainless Steel
Products

Filters

Coalescers

Regulators

Filter /
Regulators

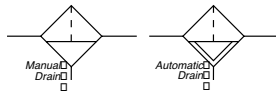
Lubricators



For inventory, lead times, and kit lookup, visit www.pdnplu.com

PF10 Particulate Filters – Standard

- Stainless steel construction handles most corrosive environments
- Fluorocarbon seals standard
- Meets NACE specifications MR-01-75/ISO 15156
- 1/8" female threaded drain
- 1/2" port (NPT, BSPP)



| Port Size | Description | Part Number |
|-----------|---|---------------------|
| 1/2" | Twist Drain, with Sight Gauge, NPT | PF10-04WJSS |
| 1/2" | Auto Float Drain, with Sight Gauge, NPT | PF10-04WJRSS |

Operating information

Operating pressure:
 Twist drain, no sight gauge 0 to 300 psig (0 to 20.7 bar)
 Twist drain, sight gauge 0 to 250 psig (0 to 17.2 bar)
 Auto float drain 10 to 175 psig (0 to 12 bar)

Operating temperature:
 Twist drain, no sight gauge 0°F to 180°F (-18°C to 82°C)
 Twist drain, sight gauge 0°F to 150°F (-18°C to 66°C)
 Auto float drain 32°F to 150°F (0°C to 66°C)

Flow capacity†: 70 scfm (33 dm³/s, ANR)

Bowl capacity: 4.0 oz.

Filter rating: 40 micron

Sump capacity: 1.7 oz.

Weight: 1.9 lb (0.85 kg)

Note: Air must be dry enough to avoid ice formation at temperatures below 32°F (0°C)

† scfm = Standard cubic feet per minute at 90 psig inlet and 5 psig pressure drop.

Ordering Information:

PF10 - 04 D J SS

| | | |
|----------------------------------|--|--------------------------|
| Port Type | | Material |
| NPT - | | SS Stainless Steel |
| BSPP G | | |
| Port Size | | Option |
| 1/2 inch 04 | | Blank Manual Twist Drain |
| | | R Auto Float Drain |
| Bowl Type | | Element |
| Metal Bowl without Sight Gauge D | | J 40 micron |
| Metal Bowl with Sight Gauge W | | G 5 micron |

Most popular.

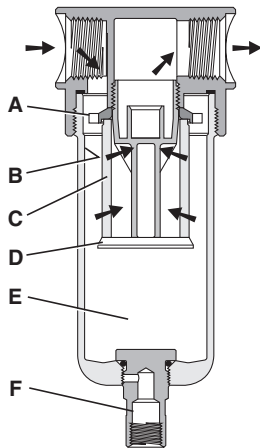


For inventory, lead times, and kit lookup, visit www.pdnplu.com

Stainless Steel Products
 Filters
 Coalescers
 Regulators
 Filter / Regulators
 Lubricators

Standard Particulate Filter

Operation

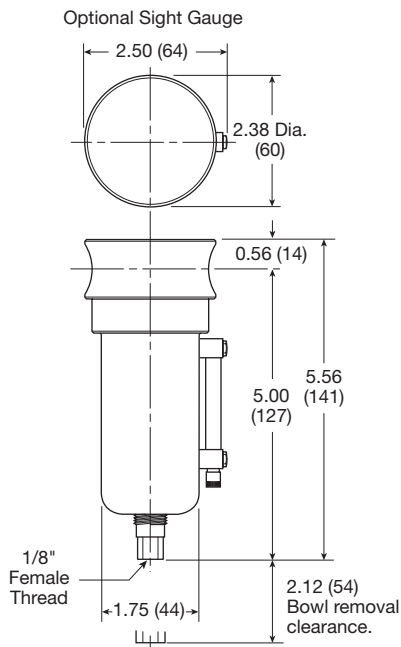


First Stage Filtration:

Air enters at inlet port and flows through deflector plate (A) which causes a swirling action. Liquids and coarse particles are forced to the bowl interior wall (B) by the centrifugal action of the swirling air. They are then carried down the bowl wall by the force of gravity. The baffle (D) separates the lower portion of the bowl into a "quiet zone" (E) where the removed liquid and particles collect, unaffected by the swirling air, and are therefore not reentrained into the flowing air.

Second Stage Filtration:

After liquids and large particles are removed in the first stages of filtration, the air flows through element (C) where smaller particles are filtered out. The filtered air then passes downstream. Collected liquids and particles in the "quiet zone" (E) should be drained before their level reaches a height where they would be reentrained in the flowing air. This can be accomplished by unscrewing the drain valve (F) slightly until the liquid begins to drain.



Inches (mm)

Air Preparation Products Stainless Steel

Material Specifications

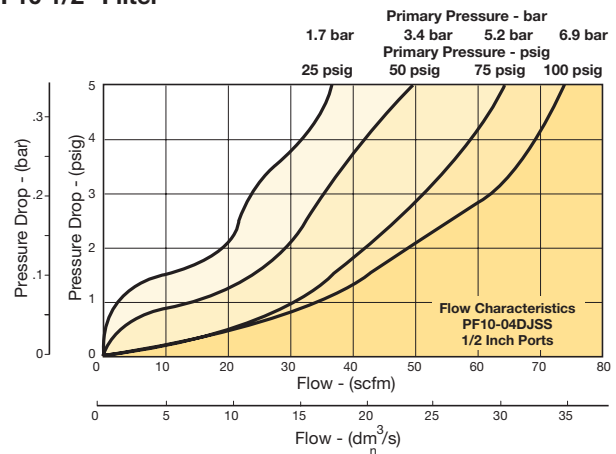
| | |
|----------------|---------------------|
| Body | 316 stainless steel |
| Bowls | 316 stainless steel |
| Deflector | Acetal |
| Drain | 316 stainless steel |
| Element holder | Acetal |
| Filter element | Polyethylene |
| Seals | Fluorocarbon |
| Sight gauge | Isoplast |

Repair and Service Kits

| | |
|---------------------------------------|--------------------|
| Automatic float drain | SA10MDSS |
| Manual twist drain (small, old) | SA600Y7-1SS |
| Manual twist drain (large, new) | SAP05481 |
| 40 micron element | EK55J |
| 5 micron element | EK55G |
| Pipe nipple, 1/2" 316 stainless steel | 616A28-SS |

Flow Charts

PF10 1/2" Filter



F

Stainless Steel Products

Filters

Coalescers

Regulators

Filter / Regulators

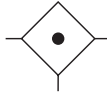
Lubricators



For inventory, lead times, and kit lookup, visit www.pdnplu.com

PF501 Coalescing Filters – Miniature

- Stainless steel construction handles most corrosive environments
- Meets NACE specifications MR-01-75/ISO 15156
- 1/8" female threaded drain
- 1/4" port (NPT, BSPP)



| Port Size | Description | Part Number |
|-----------|-----------------------|----------------------|
| 1/4" | Twist Drain, NPT | PF501-02DHSS |
| 1/4" | Auto Pulse Drain, NPT | PF501-02DHRSS |

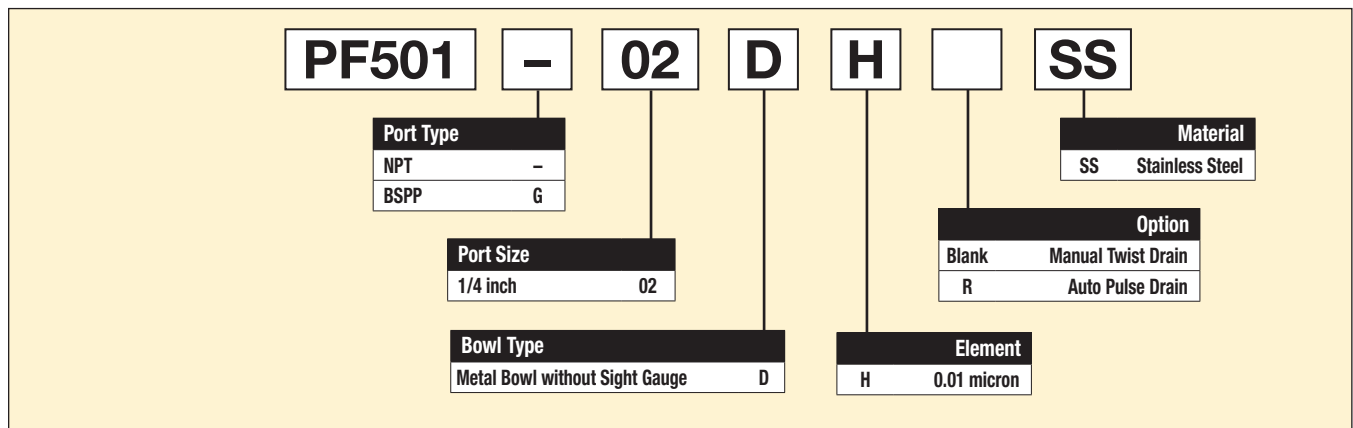
Operating information

| | |
|------------------------|---------------------------------------|
| Operating pressure: | |
| Twist drain | 0 to 300 psig (0 to 20.7 bar) |
| Auto pulse drain | 10 to 175 psig (0 to 12 bar) |
| Operating temperature: | |
| Twist drain | 0°F to 180°F (-18°C to 82°C) |
| Auto pulse drain | 32°F to 150°F (0°C to 66°C) |
| Flow capacity†: | 16 scfm (7.6 dm ³ /s, ANR) |
| Bowl capacity: | 1.0 oz. |
| Filter rating: | 0.01 micron |
| Sump capacity: | 0.4 oz. |
| Weight: | 0.6 lb (0.27 kg) |

Note: Air must be dry enough to avoid ice formation at temperatures below 32°F (0°C)

† scfm = Standard cubic feet per minute at 90 psig inlet and 5 psig pressure drop.

Ordering Information:



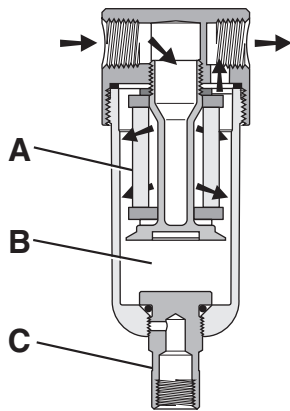
Stainless Steel Products
 Filters
 Coalescers
 Regulators
 Filter / Regulators
 Lubricators



For inventory, lead times, and kit lookup, visit www.pdnplu.com

Miniature Coalescing Filter

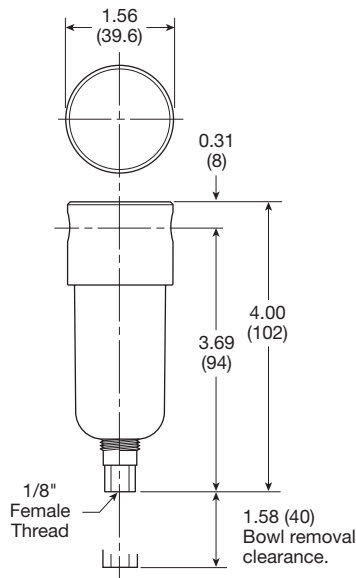
Operation



The contaminated air enters the element interior and is forced through a thick membrane (A) of "borosilicate" glass fibers coated with epoxy. Flow then passes through the element, and at this stage 99.97% of the sub-micronic particles have been removed from the air stream. The tiny droplets coalesce together and are collected from the filter element by the outer drain layer.

The clean, filtered air now passes through and out into the pneumatic system. The air line coalescing filter removes liquid aerosols and sub-micron particulate matter.

Collected liquids and particles in the "quiet zone" (B) should be drained before their level reaches a height where they would be reentrained in the flowing air. This can be accomplished by unscrewing the drain valve (C) slightly until the liquid begins to drain.



Inches (mm)

Air Preparation Products Stainless Steel

Material Specifications

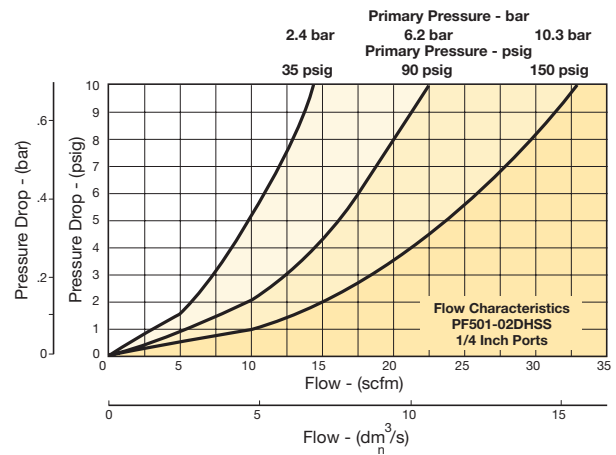
| | |
|----------------|---------------------|
| Body | 316 stainless steel |
| Bowls | 316 stainless steel |
| Drain | 316 stainless steel |
| Element holder | Acetal |
| Filter element | Borosilicate Fiber |
| Seals | Fluorocarbon |

Repair and Service Kits

| | |
|---------------------------------------|--------------------|
| Auto pulse drain | RK504SY-SS |
| Manual twist drain (small, old) | SA600Y7-1SS |
| Manual twist drain (large, new) | SAP05481 |
| 0.01 micron element | EKF501H |
| Pipe nipple, 1/4" 316 stainless steel | 1/4 FF-SS |

Flow Charts

PF501 1/4" Coalescing Filter



F

Stainless Steel
Products

Filters

Coalescers

Regulators

Filter /
Regulators

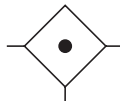
Lubricators



For inventory, lead times, and kit lookup, visit www.pdnplu.com

PF11 Coalescing Filters – Standard

- Stainless steel construction handles most corrosive environments
- Meets NACE specifications MR-01-75/ISO 15156
- 1/8" female threaded drain
- 1/2" port (NPT, BSPP)



| Port Size | Description | Part Number |
|-----------|---|---------------------|
| 1/2" | Twist Drain, with Sight Gauge, NPT | PF11-04WJSS |
| 1/2" | Auto Float Drain, with Sight Gauge, NPT | PF11-04WJRSS |

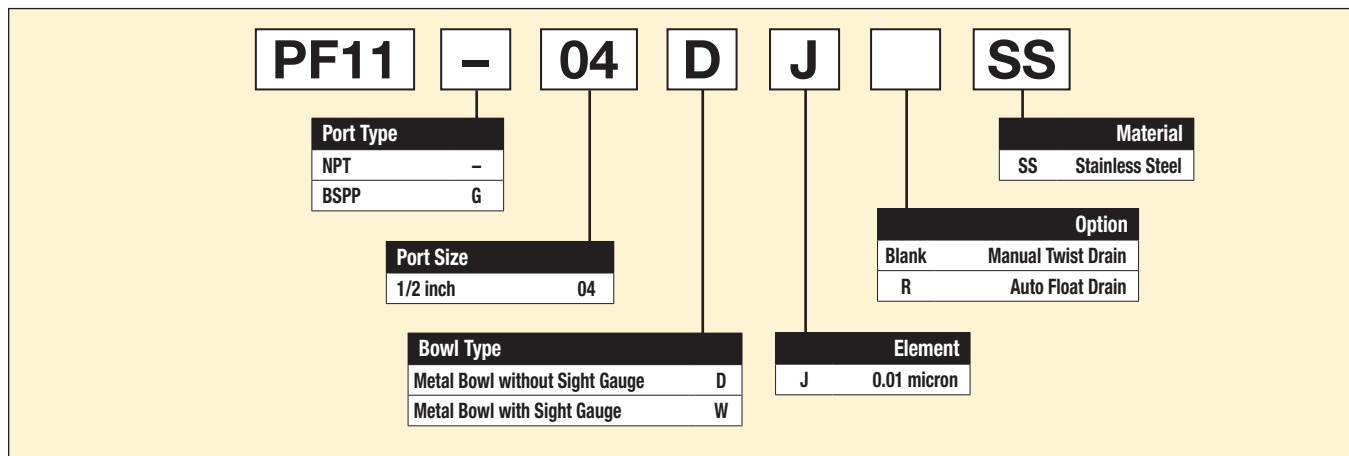
Operating information

| | |
|-----------------------------|--|
| Operating pressure: | |
| Twist drain, no sight gauge | 0 to 300 psig (0 to 20.7 bar) |
| Twist drain, sight gauge | 0 to 250 psig (0 to 17.2 bar) |
| Auto float drain | 10 to 175 psig (0 to 12 bar) |
| Operating temperature: | |
| Twist drain, no sight gauge | 0°F to 180°F (-18°C to 82°C) |
| Twist drain, sight gauge | 0°F to 150°F (-18°C to 66°C) |
| Auto float drain | 32°F to 150°F (0°C to 66°C) |
| Flow capacity†: | 45 scfm (21.2 dm ³ /s, ANR) |
| Bowl capacity: | 4.0 oz. |
| Filter rating: | 0.01 micron |
| Sump capacity: | 1.7 oz. |
| Weight: | 1.9 lb (0.85 kg) |

Note: Air must be dry enough to avoid ice formation at temperatures below 32°F (0°C)

† scfm = Standard cubic feet per minute at 90 psig inlet and 5 psig pressure drop.

Ordering Information:



Most popular.

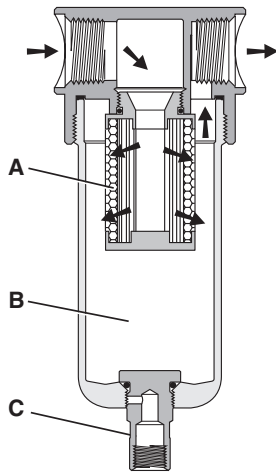


For inventory, lead times, and kit lookup, visit www.pdnplu.com

Stainless Steel Products
 Filters
 Coalescers
 Regulators
 Filter / Regulators
 Lubricators

Standard Coalescing Filter

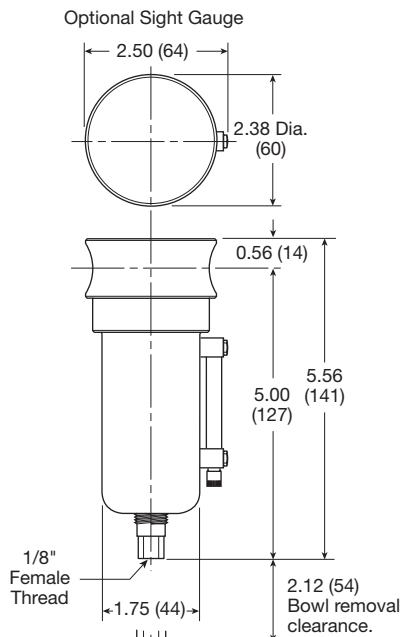
Operation



The contaminated air enters the element interior and is forced through a thick membrane (A) of "borosilicate" glass fibers coated with epoxy. Flow then passes through the element, and at this stage 99.9997% of the sub-micronic particles have been removed from the air stream. The tiny droplets coalesce together and are collected from the filter element by the outer drain layer.

The clean, filtered air now passes through and out into the pneumatic system. The air line coalescing filter removes liquid aerosols and sub-micron particulate matter.

Collected liquids and particles in the "quiet zone" (B) should be drained before their level reaches a height where they would be reentrained in the flowing air. This can be accomplished by unscrewing the drain valve (C) slightly until the liquid begins to drain.



Inches (mm)

Air Preparation Products Stainless Steel

Material Specifications

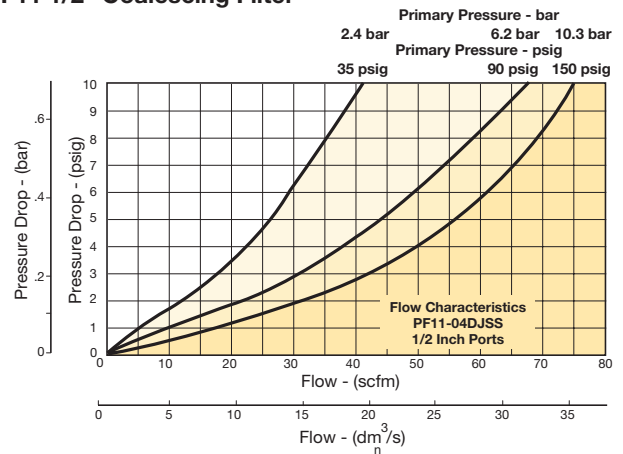
| | |
|----------------|---------------------|
| Body | 316 Stainless Steel |
| Bowls | 316 Stainless Steel |
| Drain | 316 Stainless Steel |
| Element holder | Acetal |
| Filter element | Borosilicate Fiber |
| Seals | Fluorocarbon |
| Sight gauge | Isoplast |

Repair and Service Kits

| | |
|---------------------------------------|------------------|
| Automatic float drain | SA10MDSS |
| 0.01 micron element | EKF71 |
| Pipe nipple, 1/2" 316 stainless steel | 616A28-SS |

Flow Charts

PF11 1/2" Coalescing Filter



F

Stainless Steel
Products

Filters

Coalescers

Regulators

Filter/
Regulators

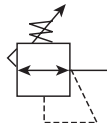
Lubricators



For inventory, lead times, and kit lookup, visit www.pdnplu.com

PR354, PR364 Regulator – Miniature

- Stainless steel construction handles most corrosive environments
- Large diaphragm to valve area ratio for precise regulation and high flow capacity
- Meets NACE specifications MR-01-75/ISO 15156
- 1/4" port (NPT, BSPP)



PR364



PR354

| Port Size | Description | Part Number |
|-----------|----------------------|--------------------|
| 1/4" | Standard Knob, NPT | PR364-02CSS |
| 1/4" | Stainless Steel, NPT | PR354-02CSS |

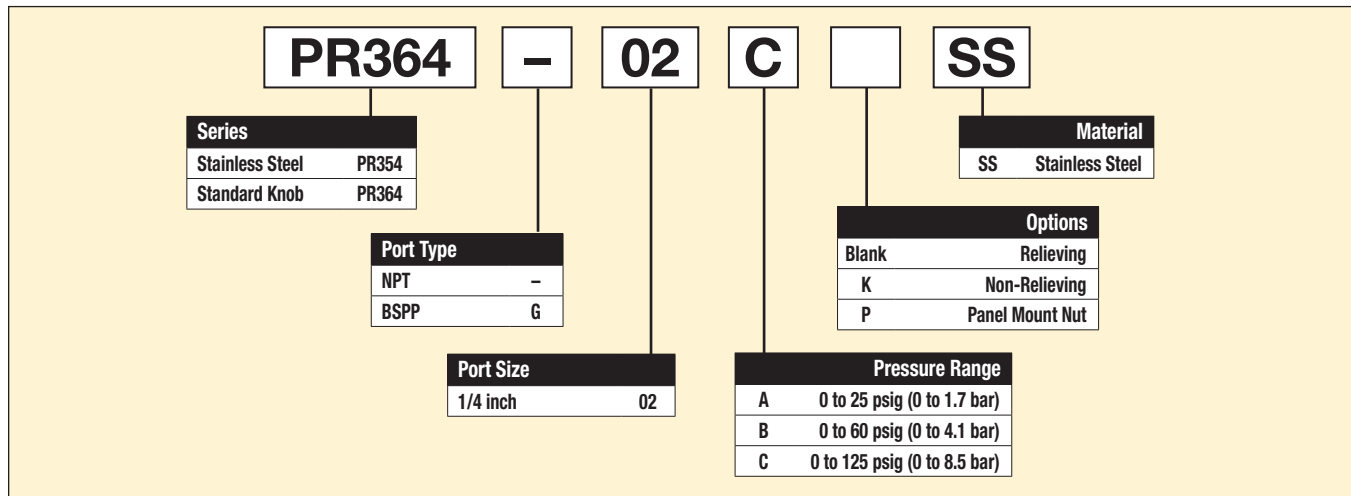
Operating information

| | |
|------------------------|---------------------------------------|
| Operating pressure: | |
| PR354 | 300 psig (20.7 bar) |
| PR364 | 300 psig (20.7 bar) |
| Operating temperature: | |
| PR354 | 0°F to 180°F (-18°C to 82°C) |
| PR364 | 0°F to 150°F (-18°C to 66°C) |
| Flow capacity†: | 12 scfm (5.7 dm ³ /s, ANR) |
| Gauge port: | 1/4 inch |
| Operation: | Fluorocarbon diaphragm |
| Weight: | 0.5 lb (0.23 kg) |

Note: Air must be dry enough to avoid ice formation at temperatures below 32°F (0°C)

† scfm = Standard cubic feet per minute at 100 psig inlet, 75 psig no flow secondary setting and 15 psig pressure drop.

Ordering Information:



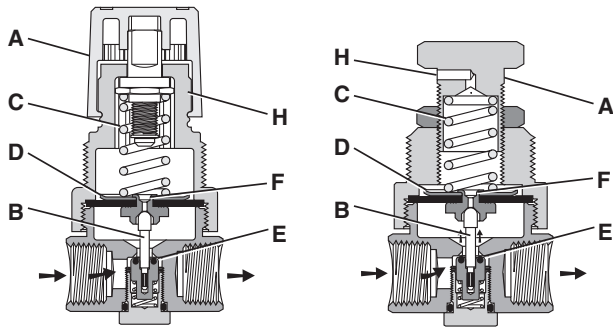
Most popular.



For inventory, lead times, and kit lookup, visit www.pdnplu.com

Stainless Steel Products
 Filters
 Coalescers
 Regulators
 Filter / Regulators
 Lubricators

Operation

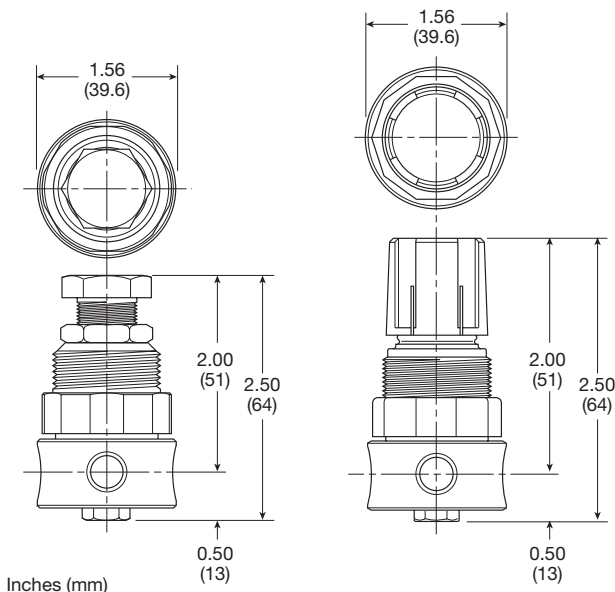


With the adjusting knob (A) turned fully counter-clockwise (no spring load), and pressure supplied to the regulator inlet port, the valve poppet assembly (B) is closed. Turning the adjusting knob clockwise applies a load to control spring (C). This load causes the diaphragm (D) and the valve poppet assembly (B) to move downward allowing flow across the seat area (E) created between the poppet assembly and the seat. Pressure in the downstream line is sensed below the diaphragm (D) and offsets the load of spring (C). As downstream pressure rises, poppet assembly (B) and diaphragm (D) move upward until the area (E) is closed and the load of the spring (C) and pressure under diaphragm (D) are in balance. A reduced outlet pressure has now been obtained, depending on spring load. Creating a demand downstream, such as opening a valve, results in a reduced pressure under the diaphragm (D). The load of control spring (C) now causes the poppet assembly to move downward opening seat area (E) allowing air to flow to meet the downstream demand. The flow of downstream air is metered by the amount of opening (E).

Should downstream pressure exceed the desired regulated pressure, the excess pressure will cause the diaphragm (D) to move upward against control spring (C), open vent hole (F), and vent the excess pressure to atmosphere through the hole in the bonnet (H). (This occurs in the relieving type regulator only.)

PR354

PR364



Material Specifications

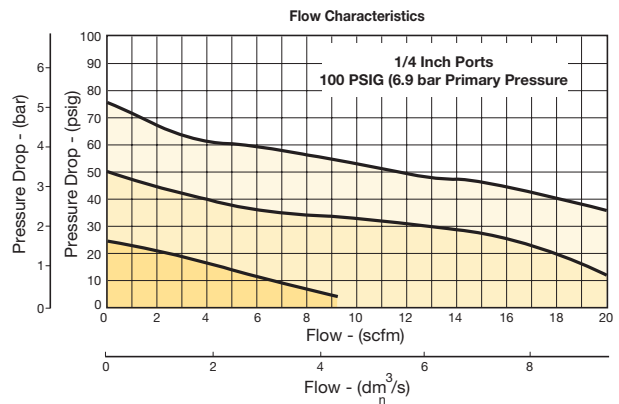
| | |
|--------------------------------|---------------------|
| Adjustment mechanism / springs | 316 stainless steel |
| Adjusting knob (PR354) | 316 Stainless Steel |
| Adjusting knob (PR364) | Polypropylene |
| Body | 316 stainless steel |
| Bonnet (PR354) | 316 stainless steel |
| Bonnet (PR364) | Acetal |
| Bottom plug | 316 stainless steel |
| Poppet | 316 stainless steel |
| Seals | Fluorocarbon |

Repair and Service Kits

| | |
|--|----------------------|
| PR354 bonnet kit | CKR354YSS |
| PR364 bonnet kit (knob included) | CKR364Y-1SS |
| 1-1/2" face, 160 psig (0 to 1100 kPa), gauge (stainless) | K4515N14160SS |
| Panel mount bracket (Stainless) | 161X57-SS |
| Panel mount nut, stainless | R05X51-SS |
| Panel mount nut, plastic | R05X51-P |
| Pipe nipple, 1/4" 316 stainless steel | 1/4 FF-SS |
| Relieving | RKR364YSS |
| Non-relieving | RKR364KYSS |
| 0-25 psig spring | SPR-375-2-SS |
| 0-60 psig spring | SPR-376-1-SS |
| 0-125 psig spring | SPR-377-1-SS |

Flow Charts

PR354, PR364 1/4" Regulator



⚠ WARNING

**Product rupture can cause serious injury.
 Do not connect regulator to bottled gas.
 Do not exceed Maximum primary pressure rating.**

CAUTION:

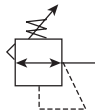
REGULATOR PRESSURE ADJUSTMENT – The working range of knob adjustment is designed to permit outlet pressures within their full range. Pressure adjustment beyond this range is also possible because the knob is not a limiting device. This is a common characteristic of most industrial regulators, and limiting devices may be obtained only by special design. For best performance, regulated pressure should always be set by increasing the pressure up to the desired setting.



For inventory, lead times, and kit lookup, visit www.pdnplu.com

PR10, PR11 Regulator – Standard

- Stainless steel construction handles most corrosive environments
- Large diaphragm to valve area ratio for precise regulation and high flow capacity
- Meets NACE specifications MR-01-75/ISO 15156
- Low temperature version available
- 1/2" port (NPT, BSPP)



PR11



PR10

| Port Size | Description | Part Number |
|-----------|-------------------------------|-------------------|
| 1/2" | Standard Knob, NPT | PR10-04CSS |
| 1/2" | Stainless Steel T-Handle, NPT | PR11-04CSS |

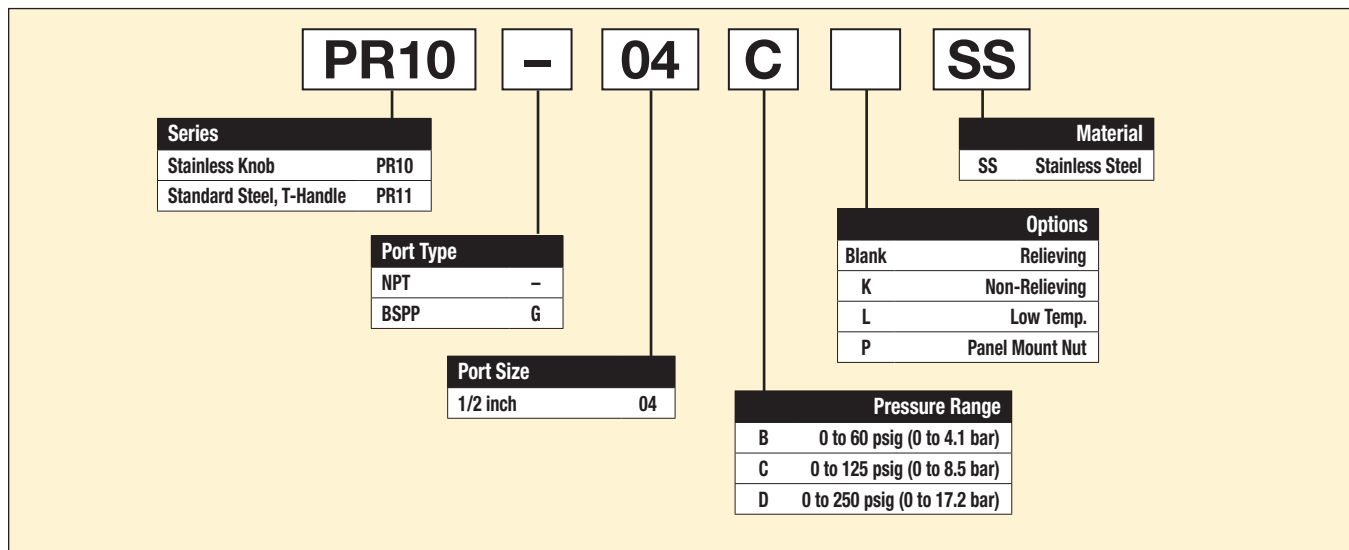
Operating information

| | |
|------------------------|--|
| Operating pressure: | |
| PR10 | 300 psig (20.7 bar) |
| PR11 | 300 psig (20.7 bar) |
| Operating temperature: | |
| PR10 | 0°F to 150°F (-18°C to 66°C) |
| PR11 | 0°F to 180°F (-18°C to 82°C) |
| | Option "L" minimum -40°F (-40°C) |
| Flow capacity†: | 80 scfm (37.8 dm ³ /s, ANR) |
| Gauge port: | 1/4 inch |
| Operation: | Fluorocarbon diaphragm |
| Weight: | 1.79 lb (0.81 kg) |

Note: Air must be dry enough to avoid ice formation at temperatures below 32°F (0°C)

† scfm = Standard cubic feet per minute at 100 psig inlet, 75 psig no flow secondary setting and 15 psig pressure drop.

Ordering Information:



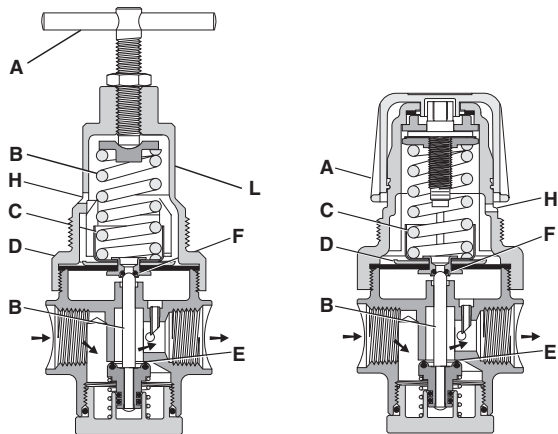
Most popular.



For inventory, lead times, and kit lookup, visit www.pdnplu.com

U
 Stainless Steel
 Products
 Filters
 Coalescers
 Regulators
 Filter /
 Regulators
 Lubricators

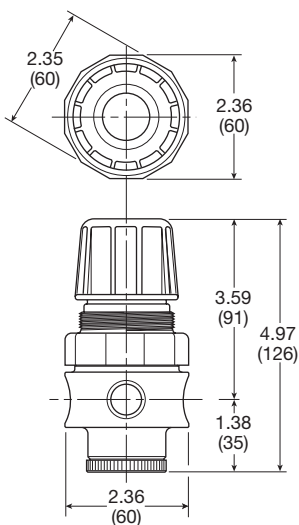
Operation



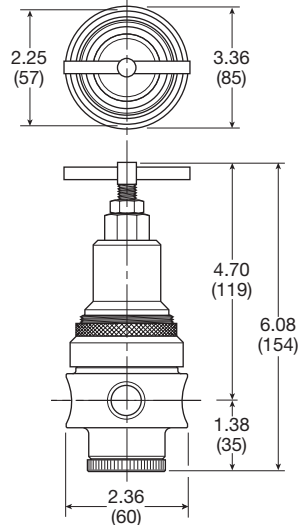
With the adjusting knob / T-Handle (A) turned fully counter-clockwise (no spring load), and pressure supplied to the regulator inlet port, the valve poppet assembly (B) is closed. Turning the adjusting knob clockwise applies a load to control spring (C). This load causes the diaphragm (D) and the valve poppet assembly (B) to move downward allowing flow across the seat area (E) created between the poppet assembly and the seat. Pressure in the downstream line is sensed below the diaphragm (D) and offsets the load of spring (C). As downstream pressure rises, poppet assembly (B) and diaphragm (D) move upward until the area (E) is closed and the load of the spring (C) and pressure under diaphragm (D) are in balance. A reduced outlet pressure has now been obtained, depending on spring load. Creating a demand downstream, such as opening a valve, results in a reduced pressure under the diaphragm (D). The load of control spring (C) now causes the poppet assembly to move downward opening seat area (E) allowing air to flow to meet the downstream demand. The flow of downstream air is metered by the amount of opening (E).

Should downstream pressure exceed the desired regulated pressure, the excess pressure will cause the diaphragm (D) to move upward against control spring (C), open vent hole (F), and vent the excess pressure to atmosphere through the hole in the bonnet (H). (This occurs in the relieving type regulator only.)

PR10



PR11



Inches (mm)

Material Specifications

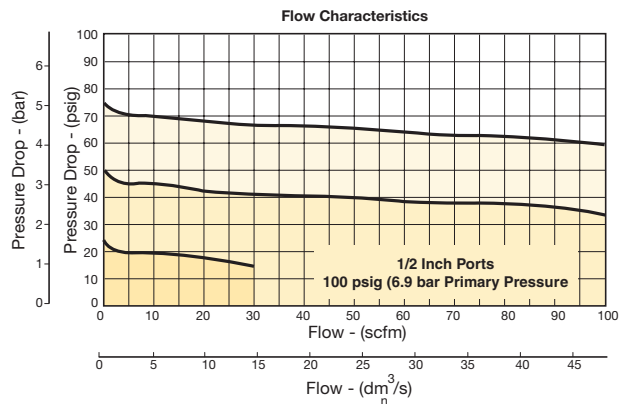
| | |
|--------------------------------|---------------------|
| Adjustment mechanism / springs | 316 stainless steel |
| Body | 316 stainless steel |
| Bonnet / tee handle (PR11) | 316 stainless steel |
| Bonnet / knob (PR10) | Acetal |
| Bottom plug | 316 stainless steel |
| Poppet | 316 stainless steel |
| Seals | Fluorocarbon |

Repair and Service Kits

| | |
|---|----------------------|
| PR10 bonnet kit (knob included) | CKR10YSS |
| PR11 bonnet kit | CKR11YSS |
| 2" Face 160 psig (0 to 1100 kPa), gauge (stainless) | K4520N14160SS |
| Panel mount bracket (stainless) | R10Y57-SS |
| Panel mount nut, stainless | R10X51-SS |
| Panel mount nut, plastic | R10X51-P |
| Pipe nipple, 1/2" 316 stainless steel | 616A28-SS |
| Relieving | RKR10YSS |
| Non-relieving | RKR10KYSS |
| 0-60 psig spring | SPR-388-1-SS |
| 0-125 psig spring | SPR-389-1-SS |
| 0-250 psig spring | SPR-390-1-SS |

Flow Charts

PR10 1/2" Regulator



⚠ WARNING

**Product rupture can cause serious injury.
 Do not connect regulator to bottled gas.
 Do not exceed Maximum primary pressure rating.**

CAUTION:

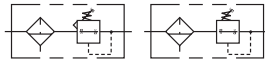
REGULATOR PRESSURE ADJUSTMENT – The working range of knob adjustment is designed to permit outlet pressures within their full range. Pressure adjustment beyond this range is also possible because the knob is not a limiting device. This is a common characteristic of most industrial regulators, and limiting devices may be obtained only by special design. For best performance, regulated pressure should always be set by increasing the pressure up to the desired setting.



For inventory, lead times, and kit lookup, visit www.pdnplu.com

PB548, PB558 Filter / Regulator – Miniature

- Stainless steel construction handles most corrosive environments
- Large diaphragm to valve area ratio for precise regulation and high flow capacity
- 1/8" female threaded drain
- Meets NACE specifications MR-01-75/ISO 15156
- 1/4" port (NPT, BSPP)



PB548

PB558

| Port Size | Description | Part Number |
|-----------|----------------------|----------------------|
| 1/4" | Standard Knob, NPT | PB548-02DHCSS |
| 1/4" | Stainless Steel, NPT | PB558-02DHCSS |

Operating information

Operating pressure:
 PB548 300 psig (20.7 bar)
 PB558 300 psig (20.7 bar)
 Auto pulse drain 10 to 175 psig (0 to 12 bar)

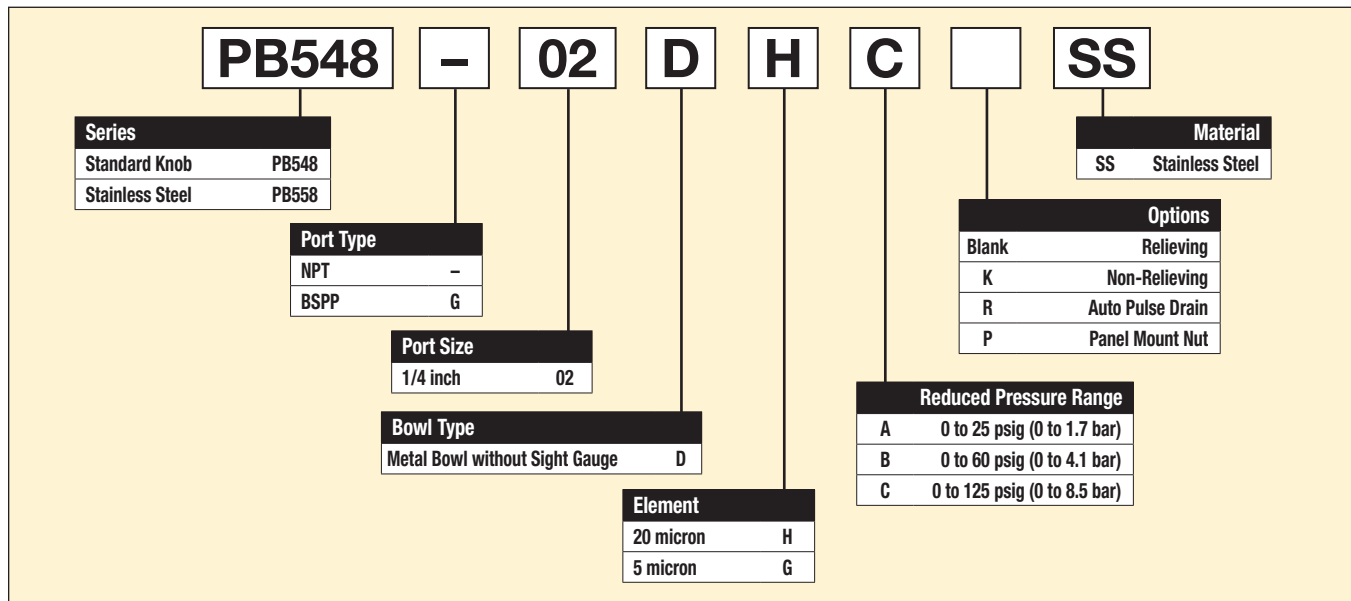
Operating temperature:
 PB548 0°F to 150°F (-18°C to 66°C)
 PB558 0°F to 180°F (-18°C to 82°C)
 Auto pulse drain 32°F to 150°F (0°C to 66°C)

Flow capacity†: 12 scfm (5.7 dm³/s, ANR)
 Bowl capacity: 1.0 oz.
 Filter rating: 20 micron
 Sump capacity: 0.4 oz.
 Gauge port: 1/4 inch
 Operation: Fluorocarbon diaphragm
 Weight: 0.6 lb (0.27 kg)

Note: Air must be dry enough to avoid ice formation at temperatures below 32°F (0°C)

† scfm = Standard cubic feet per minute at 100 psig inlet, 75 psig no flow secondary setting and 15 psig pressure drop.

Ordering Information:



Most popular.

Stainless Steel Products
Filters
Coalescers
Regulators
Filter / Regulators
Lubricators

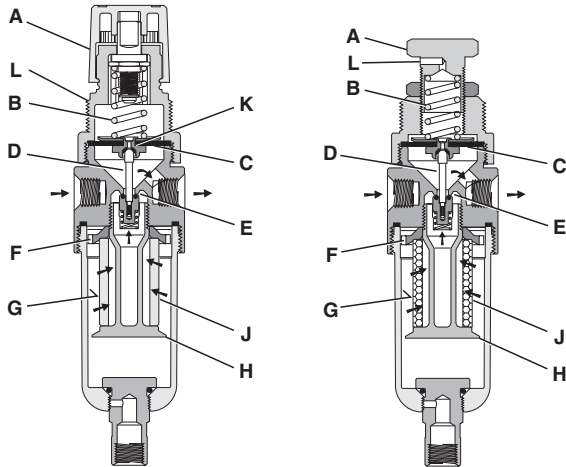


For inventory, lead times, and kit lookup, visit www.pdnplu.com

Miniature Filter / Regulator

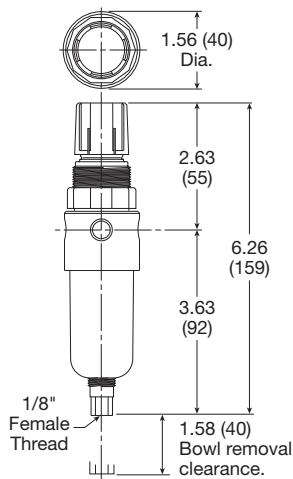
Air Preparation Products Stainless Steel

Operation



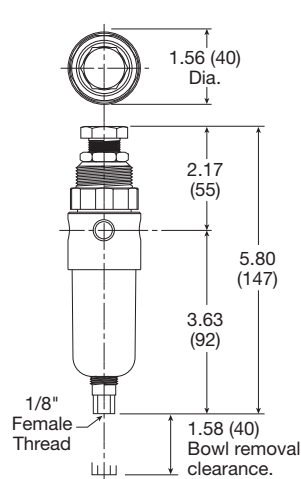
Turning the adjusting knob (A) clockwise applies a load to control spring (B) which forces diaphragm (C) and valve poppet assembly (D) to move downward allowing filtered air to flow through the seat area (E) created between the poppet assembly and the seat. "First stage filtration". Air pressure supplied to the inlet port is directed through deflector plate (F) causing a swirling centrifugal action forcing liquids and coarse particles to the inner bowl wall (G) and down below the lower baffle (H) to the quiet zone. After liquids and large particles are removed in the first stage of filtration "second stage filtration" occurs as air flows through element (J) where smaller particles are filtered out and retained. The air flow now passes through seat area (E) to the outlet port of the unit. Pressure in the downstream line is sensed below the diaphragm (C) and offsets the load of spring (B). When downstream pressure reaches the set-point, poppet valve assembly (D) and diaphragm (C) move upward closing seat area (E). Should downstream pressure exceed the desired regulated pressure, the excess pressure will cause the diaphragm (C) to move upward opening vent hole (K) venting the excess pressure to atmosphere through the hole in the bonnet (L). (This occurs in the standard relieving type filter/regulators only.)

PB548



Inches (mm)

PB558



Material Specifications

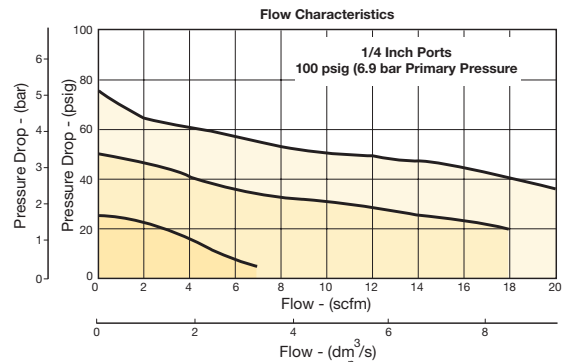
| | |
|--------------------------------|---------------------|
| Adjustment mechanism / springs | 316 stainless steel |
| Body | 316 Stainless steel |
| Bonnet (PB548) | Acetal |
| Bonnet (PB558) | 316 stainless steel |
| Bottom plug | 316 stainless steel |
| Knob (PB548) | Polypropylene |
| Knob (PB558) | 316 stainless steel |
| Poppet | 316 stainless steel |
| Seals | Fluorocarbon |

Repair and Service Kits

| | |
|---|----------------------|
| PB558 bonnet kit (knob included) | CKR354YSS |
| PB548 bonnet kit (knob included) | CKR364Y-1SS |
| Automatic pulse drain | RK504SY-SS |
| Manual twist drain (small, old) | SA600Y7-1SS |
| Manual twist drain (large, new) | SAP05481 |
| 5 micron element | EK504VY |
| 20 micron element | EK504Y |
| 1-1/2" face 160 psig (0 to 1100 kPa), gauge (stainless) | K4515N14160SS |
| Panel mount bracket (stainless) | 161X57-SS |
| Panel mount nut, stainless | R05X51-SS |
| Panel mount nut, plastic | R05X51-P |
| Pipe nipple, 1/4" 316 stainless steel | 1/4 FF-SS |
| Relieving | RK549YSS |
| Non-relieving | RK548YSS |
| 0-25 psig spring | SPR-375-2-SS |
| 0-60 psig spring | SPR-376-1-SS |
| 0-125 psig spring | SPR-377-1-SS |

Flow Charts

PB548, PB558 1/4" Filter / Regulator



⚠ WARNING

**Product rupture can cause serious injury.
Do not connect regulator to bottled gas.
Do not exceed Maximum primary pressure rating.**

CAUTION:
REGULATOR PRESSURE ADJUSTMENT – The working range of knob adjustment is designed to permit outlet pressures within their full range. Pressure adjustment beyond this range is also possible because the knob is not a limiting device. This is a common characteristic of most industrial regulators, and limiting devices may be obtained only by special design. For best performance, regulated pressure should always be set by increasing the pressure up to the desired setting.



For inventory, lead times, and kit lookup, visit www.pdnplu.com

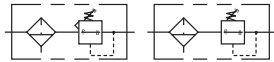
PB11, PB12 Filter / Regulator – Standard

- Stainless steel construction handles most corrosive environments
- Large diaphragm to valve area ratio for precise regulation and high flow capacity
- 1/8" female threaded drain
- Meets NACE specifications MR-01-75/ISO-15156
- Low temperature version available
- 1/2" port (NPT, BSPP)



PB11

PB12



| Port Size | Description | Part Number |
|-----------------------|--|----------------------|
| With Sight Gauge, NPT | | |
| 1/2" | Standard Knob, Twist Drain | PB11-04WJCSS |
| 1/2" | Standard Knob, Auto Float Drain | PB11-04WJCRSS |
| 1/2" | Stainless Steel T-Handle, Twist Drain | PB12-04WJCSS |
| 1/2" | Stainless Steel T-Handle, Auto Float Drain | PB12-04WJCRSS |

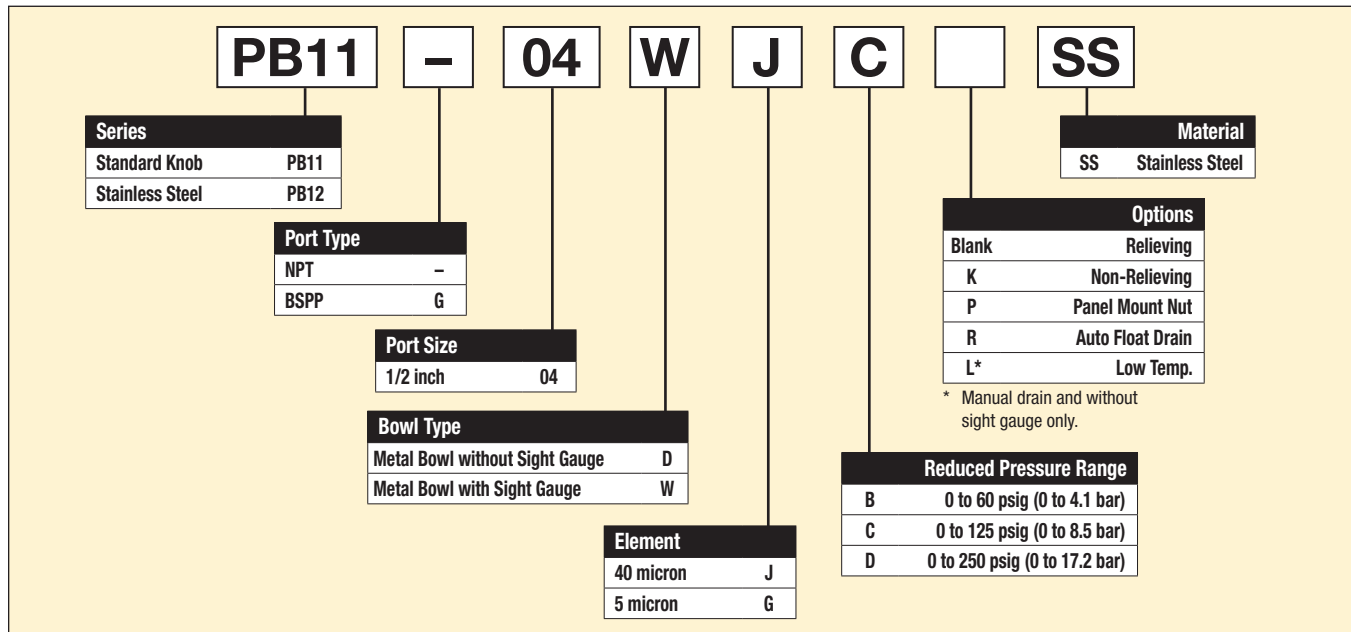
Operating information

| | |
|------------------------|------------------------------|
| Operating pressure: | |
| PB11, PB12 | 300 psig (20.7 bar) |
| Auto float drain | 15 to 175 psig (1 to 12 bar) |
| Operating temperature: | |
| PB11 | 0°F to 150°F (-18°C to 66°C) |
| PB12, no sight gauge | 0°F to 180°F (-18°C to 82°C) |
| PB12, sight gauge | 0°F to 150°F (-18°C to 66°C) |
| Auto float drain | 32°F to 150°F (0°C to 66°C) |
| Flow capacity†: | 72 scfm (34 dm³/s, ANR) |
| Bowl capacity: | 4.0 oz. |
| Filter rating: | 40 micron |
| Sump capacity: | 1.7 oz. |
| Gauge port: | 1/4 inch |
| Operation: | Fluorocarbon diaphragm |
| Weight: | 2.42 lb (1.09 kg) |

Note: Air must be dry enough to avoid ice formation at temperatures below 32°F (0°C)

† scfm = Standard cubic feet per minute at 100 psig inlet, 75 psig no flow secondary setting and 15 psig pressure drop.

Ordering Information:



Most popular.

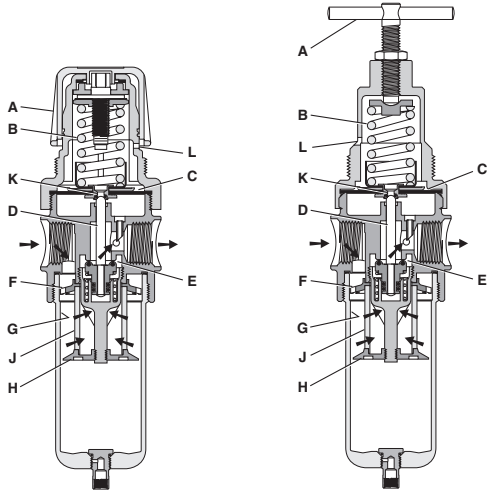


For inventory, lead times, and kit lookup, visit www.pdnplu.com

U
 Stainless Steel
 Products
 Filters
 Coalescers
 Regulators
 Filter / Regulators
 Lubricators

Standard Filter / Regulator

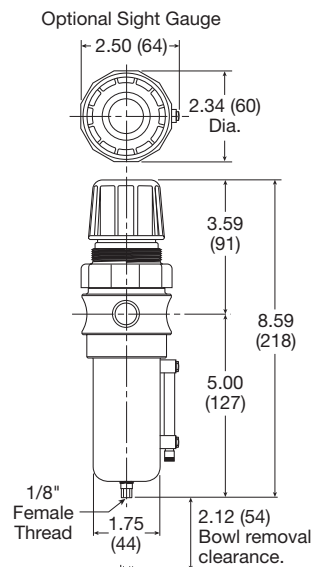
Operation



Turning the adjusting knob / T-Handle (A) clockwise applies a load to control spring (B) which forces diaphragm (C) and valve poppet assembly (D) to move downward allowing filtered air to flow through the seat area (E) created between the poppet assembly and the seat. "First stage filtration". Air pressure supplied to the inlet port is directed through deflector plate (F) causing a swirling centrifugal action forcing liquids and coarse particles to the inner bowl wall (G) and down below the lower baffle (H) to the quiet zone. After liquids and large particles are removed in the first stage of filtration "second stage filtration" occurs as air flows through element (J) where smaller particles are filtered out and retained. The air flow now passes through seat area (E) to the outlet port of the unit. Pressure in the downstream line is sensed below the diaphragm (C) and offsets the load of spring (B). When downstream pressure reaches the set-point, poppet valve assembly (D) and diaphragm (C) move upward closing seat area (E). Should downstream pressure exceed the desired regulated pressure, the excess pressure will cause the diaphragm (C) to move upward opening vent hole (K) venting the excess pressure to atmosphere through the hole in the bonnet (L). (This occurs in the standard relieving type filter/regulators only.)

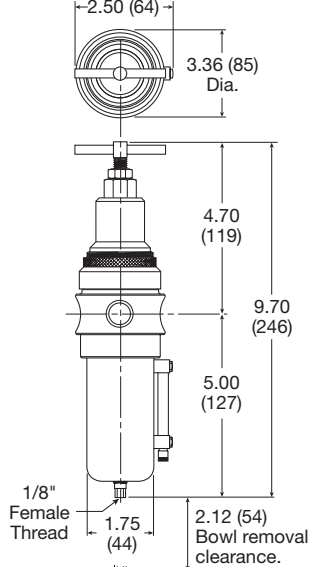
PB11

Inches (mm)



PB12

Optional Sight Gauge



Air Preparation Products Stainless Steel

Material Specifications

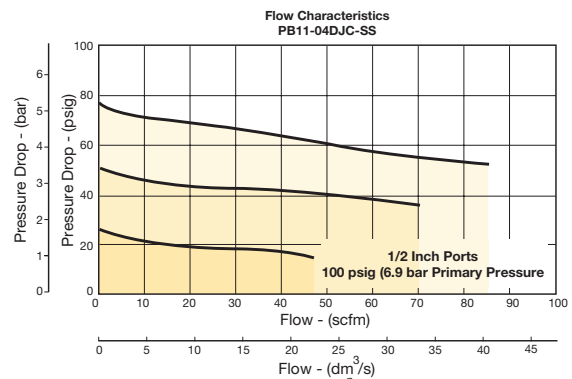
| | |
|--------------------------------|---------------------|
| Adjustment mechanism / springs | 316 stainless steel |
| Body | 316 stainless steel |
| Bonnet / knob (PB11) | Acetal |
| Bonnet / tee handle (PB12) | 316 stainless steel |
| Bottom plug | 316 stainless steel |
| Poppet | 316 stainless steel |
| Seals | Fluorocarbon |
| Sight gauge | Isoplast |

Repair and Service Kits

| | |
|---|----------------------|
| PB11 bonnet kit (knob included) | CKR10YSS |
| PB12 bonnet kit | CKR11YSS |
| Auto float drain | SA10MDSS |
| Manual twist drain (small, old) | SA600Y7-1SS |
| Manual twist drain (large, new) | SAP05481 |
| 40 micron element | EKF10Y |
| 5 micron element | EKF10VY |
| 2" face 160 psig (0 to 1100 kPa), gauge (stainless) | K4520N14160SS |
| Panel mount bracket (stainless) | R10Y57-SS |
| Panel mount nut, stainless | R10X51-SS |
| Panel mount nut, plastic | R10X51-P |
| Pipe nipple, 1/2" 316 stainless steel | 616A28-SS |
| Relieving | RKR10YSS |
| Non-relieving | RKR10KYSS |
| 0-60 psig spring | SPR-388-1-SS |
| 0-125 psig spring | SPR-389-1-SS |
| 0-250 psig spring | SPR-390-1-SS |

Flow Charts

PB11 1/2" Filter / Regulator



⚠ WARNING

**Product rupture can cause serious injury.
Do not connect regulator to bottled gas.
Do not exceed Maximum primary pressure rating.**

CAUTION:

REGULATOR PRESSURE ADJUSTMENT – The working range of knob adjustment is designed to permit outlet pressures within their full range. Pressure adjustment beyond this range is also possible because the knob is not a limiting device. This is a common characteristic of most industrial regulators, and limiting devices may be obtained only by special design. For best performance, regulated pressure should always be set by increasing the pressure up to the desired setting.



For inventory, lead times, and kit lookup, visit www.pdnplu.com

PL10 Lubricators – Standard

- Stainless steel construction handles most corrosive environments
- 1/8" female threaded drain
- Fillable under pressure
- Meets NACE specifications MR-01-75/ISO 15156
- 1/2" port (NPT, BSPP)



| Port Size | Description | Part Number |
|-----------|---------------------------------------|-------------------|
| 1/2" | Twist Drain, with Sight Gauge, NPT | PL10-04WSS |
| 1/2" | Twist Drain, without Sight Gauge, NPT | PL10-04DSS |

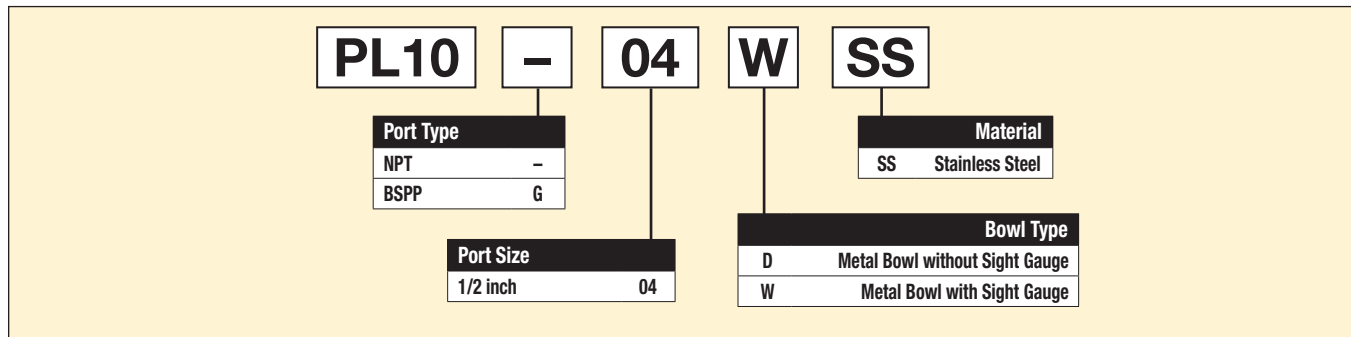
Operating information

| | |
|------------------------------|---|
| Operating pressure: | |
| Metal bowl, no sight gauge | 0 to 300 psig (0 to 20.7 bar) |
| Metal bowl, sight gauge | 0 to 250 psig (0 to 17.2 bar) |
| Operating temperature: | |
| Metal bowl, no sight gauge | 0°F to 150°F (-18°C to 66°C) |
| Metal bowl, sight gauge | 0°F to 150°F (-18°C to 66°C) |
| Flow capacity [†] : | 100 scfm (47.2 dm ³ /s, ANR) |
| Bowl capacity: | 4.0 oz. |
| Weight: | 1.9 lb (0.85 kg) |

Note: Air must be dry enough to avoid ice formation at temperatures below 32°F (0°C)

[†] scfm = Standard cubic feet per minute at 90 psig inlet and 5 psig pressure drop.

Ordering Information:

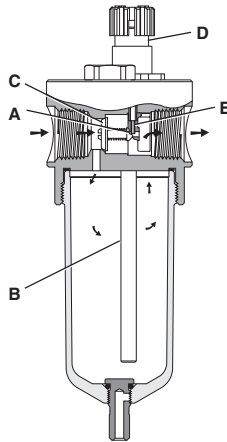


Most popular.

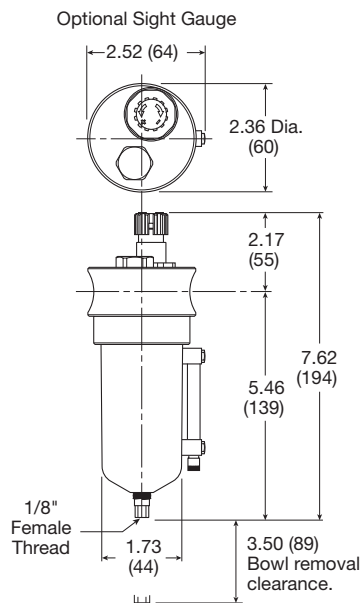


For inventory, lead times, and kit lookup, visit www.pdnplu.com

Operation



Air flowing through the unit goes through two paths. At low flow rates the majority of the air flows through the Venturi section (A). The rest of the air opens the check valve (C). The velocity of the air flowing through the Venturi section (A) creates a pressure drop. This lower pressure allows the oil to be forced from the reservoir through the pickup tube (B) and travels up to the metering screw (D). The rate of oil delivery is then controlled by adjusting the metering screw (D). Oil flows past the metering screw (D) and forms a drop in the nozzle tube (E). As the oil drops through the dome (F) and back into the Venturi section (A), it is broken up into fine particles. It is then mixed with the air flowing past the check valve (C) and is carried downstream. As the air flow increases the check valve (C) will open more fully. This additional flow will assure that the oil delivery rate will increase linearly with the increase of air flow.



Inches (mm)

Material Specifications

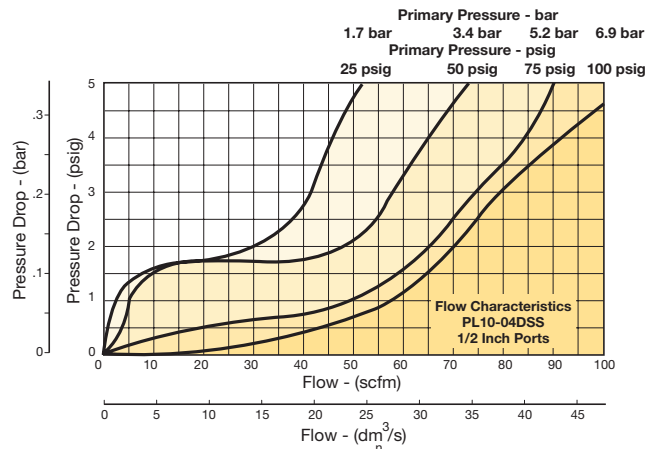
| | |
|-------------|---------------------|
| Body | 316 stainless steel |
| Bowl | 316 stainless steel |
| Dip tube | 316 stainless steel |
| Drain | 316 stainless steel |
| Fill plug | 316 stainless steel |
| Seals | Fluorocarbon |
| Sight dome | Nylon |
| Sight gauge | Isoplast |

Repair and Service Kits

| | |
|---------------------------------------|--------------------|
| Manual twist drain (small, old) | SA600Y7-1SS |
| Manual twist drain (large, new) | SAP05481 |
| Pipe nipple, 1/2" 316 stainless steel | 616A28-SS |
| Sight dome kit, (old) | RKL10SS |
| Sight dome kit, (new) | PS740N |

Flow Charts

PL10 1/2" Lubricator



F

Stainless Steel Products

Filters

Coalescers

Regulators

Filter / Regulators

Lubricators



For inventory, lead times, and kit lookup, visit www.pdnplu.com



Stainless Steel
Products



For inventory, lead times, and kit
lookup, visit www.pdnplu.com

F20

Parker Hannifin Corporation
Pneumatic Division
Richland, Michigan
www.parker.com/pneumatics



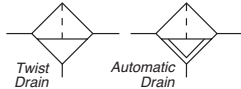
Air Preparation Products
P3N Series

| | |
|----------------------------------|---------|
| P3NF Particulate Filters | G2-G3 |
| P3NF Coalescing Filters | G4-G5 |
| P3NR Regulators | G6-G7 |
| P3NR Pilot Controlled Regulators | G8-G9 |
| P3NE Filter / Regulators | G10-G11 |
| P3NL Lubricators | G12-G13 |
| P3NC Modular Combinations | G14-G15 |



P3NF Particulate Filters – Hi-Flow

- Port blocks (PB) available to provide 1-1/2" port extension to 1" ported bodies
- Excellent water removal efficiency
- Metal bowl with sight gauge
- Large filter element surface guarantees low pressure drop and increased element life
- Twist drain as standard, optional auto float drain
- 3/4", 1", 1-1/2" port, NPT & BSPP



| Port Size | Description | Part Number |
|-----------|---|-------------------|
| 3/4" | Metal Bowl, Sight Gauge, Twist Drain | P3NFA96GSM |
| 3/4" | Metal Bowl, Sight Gauge, Auto Float Drain | P3NFA96GSA |
| 1" | Metal Bowl, Sight Gauge, Twist Drain | P3NFA98GSM |
| 1" | Metal Bowl, Sight Gauge, Auto Float Drain | P3NFA98GSA |
| 1-1/2" # | Metal Bowl, Sight Gauge, Twist Drain | P3NFA9PGSM |
| 1-1/2" # | Metal Bowl, Sight Gauge, Auto Float Drain | P3NFA9PGSA |

1" port body with 1-1/2" port block.

Operating information

| | | |
|------------------------|-------------------------------|--|
| Supply pressure (max): | 0 to 250 psig (0 to 17.2 bar) | |
| Operating temperature: | 32°F to 175°F (0°C to 80°C) | |
| Flow capacity†: | | |
| High flow | 3/4" | 270 scfm (127.4 dm ³ /s, ANR) |
| | 1" | 300 scfm (141.6 dm ³ /s, ANR) |
| | 1-1/2" | 300 scfm (141.6 dm ³ /s, ANR) |
| Bowl capacity: | 18.0 oz. | |
| Sump capacity: | 6.8 oz. | |
| Weight: | 3/4", 1" | 3.5 lb (1.6 kg) |
| | 1-1/2" # | 4.6 lb (2.1 kg) |

† scfm = Standard cubic feet per minute at 90 psig inlet and 5 psig pressure drop, with 40 micron element.

1" port body with 1-1/2" port block

Ordering Information:

P3N F A 9 8 G S M

| | | |
|---|--|-----------------------------|
| Engineering Level | Current | A |
| Port Type | G Thread (BSPP) Female | 1* |
| | NPT Female | 9 |
| * 3/4 & 1 inch meets ISO 1179-1 standard. | | |
| Port Size | 3/4" (w/o port blocks) | 6 |
| | 1" (w/o port blocks) | 8 |
| | 1-1/2" Port Blocks (w/ 1" ported body) | P |
| Element | G | 40 micron |
| Bowl | S | Metal Bowl with Sight Gauge |
| Drain | M | Twist Drain |
| | A | Auto Float Drain |

Note: BSPP ported units supplied using NPT ported bodies and BSPP port block kits.

Most popular.



For inventory, lead times, and kit lookup, visit www.pdnplu.com

P3N Products
G
Filters
Coalescers
Regulators
Filter / Regulators
Lubricators
Combinations

Hi-Flow Particulate Filters

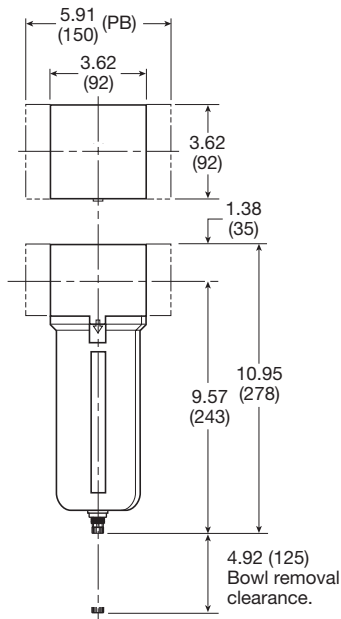
Material Specifications

| | |
|---------------------|--------------------|
| Body, bowl | Aluminum |
| Deflector | Plastic |
| Drain | Plastic |
| Element | Plastic |
| Adsorber (optional) | Activated charcoal |
| Seals | Nitrile |
| Sight gauge | Polyamide (nylon) |

Repair and Service Kits

| | |
|---|-------------------|
| Metal bowl / sight gauge / auto float drain | P3NKA00BSA |
| Metal bowl / sight gauge / twist drain | P3NKA00BSM |
| Bowl latch kit | C11A33 |
| DPI replacement kit | PS781P |
| Automatic float drain | PS506P |
| Twist drain | PS512P |
| 40 micron element | P3NKA00ESG |
| 5 micron element | P3NKA00ESE |
| Adsorber element | P3NKA00ESA |
| Mounting bracket kit* | P3NKA00MW |
| Sight gauge kit | P3NKA00PE |

* If 1-1/2 BSPP E02 fittings are required, use P3NKA00BMW.

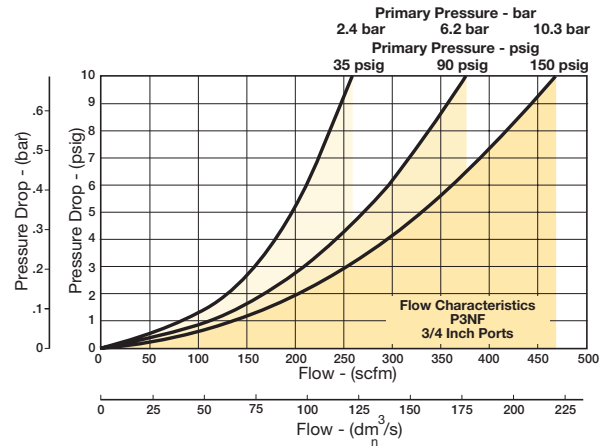


Inches (mm)

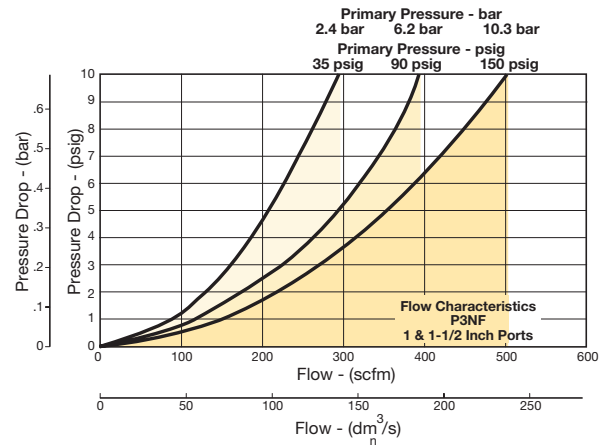
Air Preparation Products P3N Products

Flow Charts

P3NF 3/4" Particulate Filter



P3NF 1" & 1-1/2" Particulate Filter



P3N Products



Filters

Coalescers

Regulators

Filter / Regulators

Lubricators

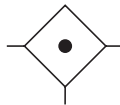
Combinations



For inventory, lead times, and kit lookup, visit www.pdnplu.com

P3NF Coalescing Filters – Hi-Flow

- Port blocks (PB) available to provide 1-1/2" port extension to 1" ported bodies
- Metal bowl with sight gauge
- Large filter element surface guarantees low pressure drop and increased element life
- Twist Drain as standard, optional automatic float drain
- 3/4", 1", 1-1/2" # ports (NPT, BSPP)



| Port Size | Description | Part Number |
|-----------|---|-------------------|
| 3/4" | Metal Bowl, Sight Gauge, Twist Drain | P3NFA96DSM |
| 3/4" | Metal Bowl, Sight Gauge, Auto Float Drain | P3NFA96DSA |
| 1" | Metal Bowl, Sight Gauge, Twist Drain | P3NFA98DSM |
| 1" | Metal Bowl, Sight Gauge, Auto Float Drain | P3NFA98DSA |
| 1-1/2" # | Metal Bowl, Sight Gauge, Twist Drain | P3NFA9PDSM |
| 1-1/2" # | Metal Bowl, Sight Gauge, Auto Float Drain | P3NFA9PDSA |

Standard part numbers shown bold, with Grade 6 Elements. For other models refer to ordering information below.

1" port body with 1-1/2" port block.

Operating information

| | |
|------------------------|----------------------------------|
| Supply pressure (max): | 0 to 250 psig (0 to 17.2 bar) |
| Auto float drain | 15 to 250 psig (1.0 to 17.2 bar) |
| Operating temperature: | 32°F to 175°F (0°C to 80°C) |
| Flow capacity†: | |
| High flow | 3/4" 130 scfm (61 dm³/s, ANR) |
| | 1" 140 scfm (66 dm³/s, ANR) |
| | 1-1/2" 140 scfm (66 dm³/s, ANR) |
| Bowl capacity: | 18.0 oz. |
| Sump capacity: | 6.8 oz. |
| Weight: | 3/4", 1" 3.5 lb (1.6 kg) |
| | 1-1/2" # 4.6 lb (2.1 kg) |

† scfm = Standard cubic feet per minute at 90 psig inlet and 5 psig pressure drop

1" port body with 1-1/2" port block

Ordering Information:

P3N F A 9 8 D S M

| | | |
|---|--|-----------------------------|
| Engineering Level | Current | A |
| Port Type | G Thread (BSPP) Female | 1* |
| | NPT Female | 9 |
| * 3/4 & 1 inch meets ISO 1179-1 standard. | | |
| Port Size | 3/4" (w/o port blocks) | 6 |
| | 1" (w/o port blocks) | 8 |
| | 1-1/2" Port Blocks (w/ 1" ported body) | P |
| Drain | M | Twist Drain |
| | A | Auto Float Drain |
| Bowl | S | Metal Bowl with Sight Gauge |
| Element | D | Grade 6 with DPI Indicator |

Note: BSPP ported units supplied using NPT ported bodies and BSPP port block kits.

Most popular.



For inventory, lead times, and kit lookup, visit www.pdnplu.com

Hi-Flow Coalescing Filters

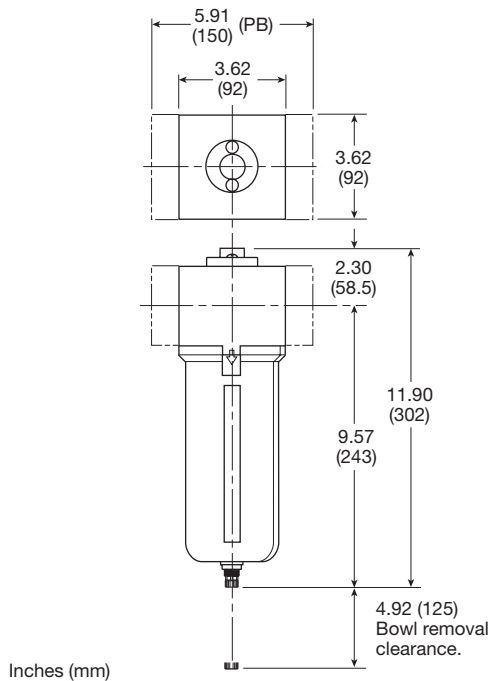
Material Specifications

| | |
|---|----------------------------------|
| Body, bowl | Aluminum |
| Deflector | Plastic |
| Drain | Plastic |
| Element | Borosilicate & felt glass fibers |
| Largest aerosol particle passed (Grade 6) | 0.01 micron |
| Largest solid particle passed (Grade 6) | 0.30 micron |
| Seals | Nitrile |
| Sight gauge | Polyamide (nylon) |

Repair and Service Kits

| | |
|--|--------------------|
| Metal bowl / sight gauge / automatic float drain | P3NKA00BSA |
| Metal bowl / sight gauge / twist drain | P3NKA00BSM |
| Bowl latch kit | C11A33 |
| DPI replacement kit | PS781P |
| Automatic float drain kit | PS506P |
| Twist drain kit | PS512P |
| Grade 6 element (standard) | P3NKA00ESCB |
| Sight gauge kit | P3NKA00PE |
| Mounting bracket kit* | P3NKA00MW |

* If 1-1/2 BSPP E02 fittings are required, use P3NKA00BMW.

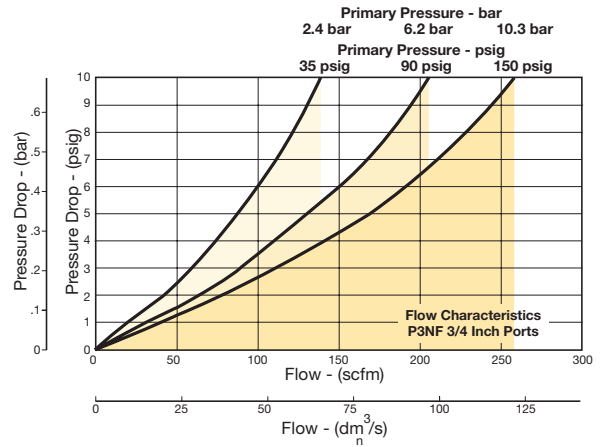


Air Preparation Products P3N Products

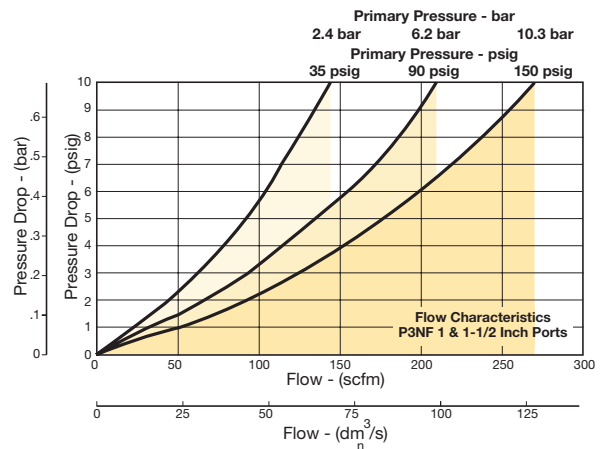
Flow Charts

Grade 6 Element

P3NF 3/4" Coalescing Filter



P3NF 1" & 1-1/2" Coalescing Filter



P3N Products



Filters

Coalescers

Regulators

Filter /
Regulators

Lubricators

Combinations



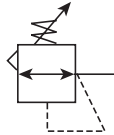
For inventory, lead times, and kit lookup, visit www.pdnplu.com

G5

Parker Hannifin Corporation
Pneumatic Division
Richland, Michigan
www.parker.com/pneumatics

P3NR Regulators – Hi-Flow

- Port blocks (PB) available to provide 1-1/2" port extension to 1" ported bodies
- Self relieving feature plus balanced poppet provides quick response and accurate pressure regulation
- Solid control piston for extended life
- 3/4", 1", 1-1/2" ports (NPT, BSPP)



Operating information

| | | |
|------------------------|-----------------------------|-----------------------------|
| Supply pressure (max): | 250 psig (17.2 bar) | |
| Operating temperature: | 32°F to 175°F (0°C to 80°C) | |
| Flow capacity†: | | |
| High flow | 3/4" | 200 scfm (94.4 dm³/s, ANR) |
| | 1" | 300 scfm (141.6 dm³/s, ANR) |
| | 1-1/2" | 300 scfm (141.6 dm³/s, ANR) |
| Gauge ports (2): | 1/4 inch | |
| Weight: | 3/4", 1" | 4.2 lb (1.9 kg) |
| | 1-1/2" # | 5.3 lb (2.4 kg) |

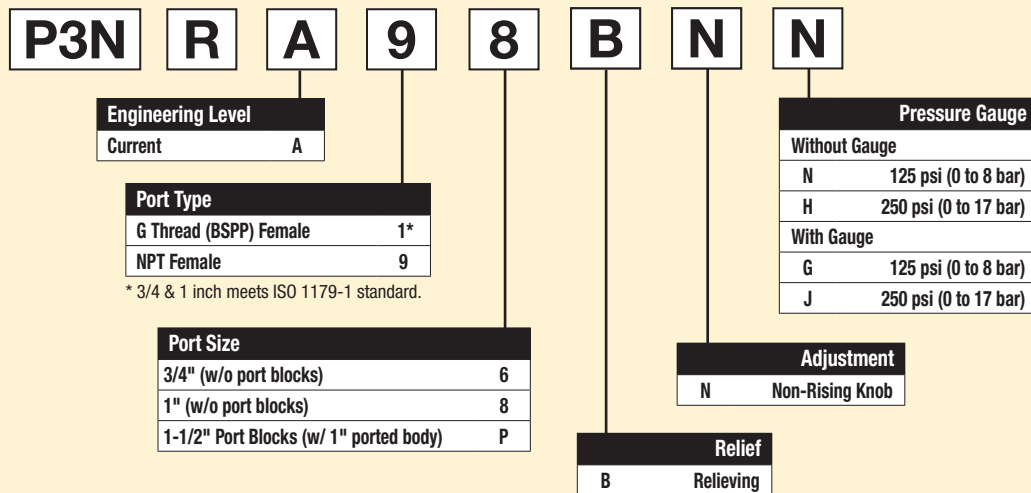
† scfm = Standard cubic feet per minute at 100 psig inlet, 90 psig no flow secondary setting and 10 psig pressure drop.

1" port body with 1-1/2 port block

| Port Size | Description | Part Number |
|-----------|--------------------|-------------------|
| 3/4" | Without Gauge | P3NRA96BNN |
| 3/4" | With 160 psi Gauge | P3NRA96BNG |
| 1" | Without Gauge | P3NRA98BNN |
| 1" | With 160 psi Gauge | P3NRA98BNG |
| 1-1/2" # | Without Gauge | P3NRA9PBNN |
| 1-1/2" # | With 160 psi Gauge | P3NRA9PBNG |

1" port body with 1-1/2" port block.
 NOTE: 2.0 Dia. (51 mm) hole required for panel mounting.

Ordering Information:



Note: BSPP ported units supplied using NPT ported bodies and BSPP port block kits.

Most popular.



For inventory, lead times, and kit lookup, visit www.pdnplu.com

P3N Products
 G
 Filters
 Coalescers
 Regulators
 Filter / Regulators
 Lubricators
 Combinations

Hi-Flow Regulators

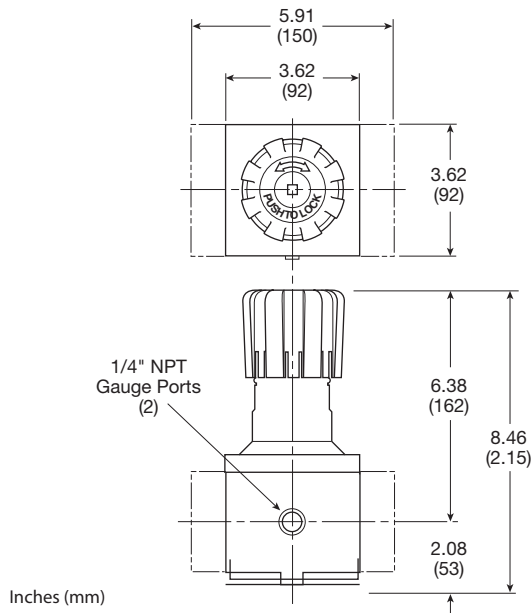
Material Specifications

| | |
|---------------------------|----------|
| Adjusting stem | Steel |
| Body | Aluminum |
| Bonnet | Aluminum |
| Knob | Plastic |
| Piston | Plastic |
| Poppet assembly | Brass |
| Seals | Nitrile |
| Springs, poppet & control | Steel |

Repair and Service Kits

| | |
|--|---------------------|
| Control knob | P3NKA00PN |
| 2" dial face 60 psig (0 to 4.1 bar), gauge | K4520N14060 |
| 2" dial face 160 psig (0 to 11.0 bar), gauge | K4520N14160 |
| 2" dial face 300 psig (0 to 20.7 bar), gauge | K4520N14300 |
| 1-3/4" digital round face 160 psig (0 to 11.0 bar), gauge | K4517N14160D |
| Mounting bracket kit* | P3NKA00MW |
| Relieving | P3NKA00RR |
| Non-relieving | P3NKA00RN |
| 1-60 psig spring | C10A1304 |
| 2-125 psig spring | C10A1308 |
| 5-250 psig spring | C10A1317 |

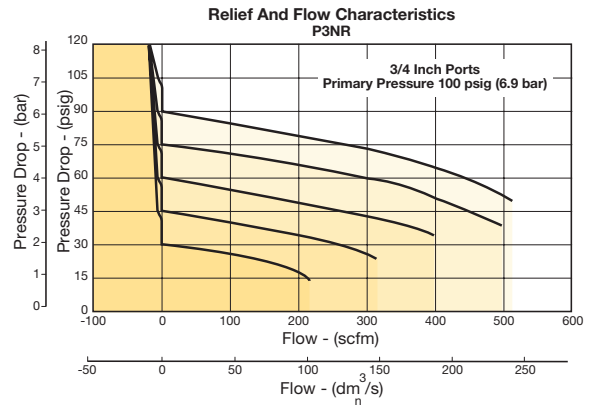
* If 1-1/2 BSPP E02 fittings are required, use P3NKA00BMW.



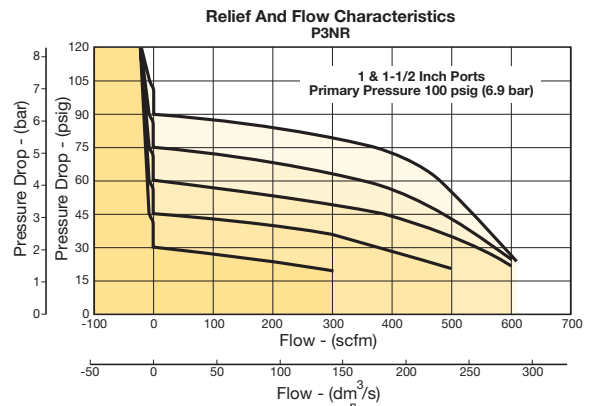
Air Preparation Products P3N Products

Flow Charts

P3NR 3/4" Regulator



P3NR 1" & 1-1/2" Regulator



⚠ WARNING
Product rupture can cause serious injury.
Do not connect regulator to bottled gas.
Do not exceed Maximum primary pressure rating.

CAUTION:
REGULATOR PRESSURE ADJUSTMENT – The working range of knob adjustment is designed to permit outlet pressures within their full range. Pressure adjustment beyond this range is also possible because the knob is not a limiting device. This is a common characteristic of most industrial regulators, and limiting devices may be obtained only by special design. For best performance, regulated pressure should always be set by increasing the pressure up to the desired setting.

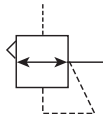


For inventory, lead times, and kit lookup, visit www.pdnplu.com

| |
|---------------------|
| P3N Products |
| G |
| Filters |
| Coalescers |
| Regulators |
| Filter / Regulators |
| Lubricators |
| Combinations |

P3NR Pilot Controlled Regulator - Hi-Flow

- Port blocks (PB) available to provide 1-1/2" port extension to 1" ported bodies
- Self relieving feature plus balanced poppet provides quick response and accurate pressure regulation
- Solid control piston for extended life
- 3/4", 1" 1-1/2" ports (NPT, BSPP)



| Port Size | Description | Part Number |
|-----------|---------------|-------------------|
| 3/4" | Without Gauge | P3NRA96BPP |
| 1" | Without Gauge | P3NRA98BPP |
| 1-1/2"# | Without Gauge | P3NRA9PBPP |

1" port body with 1-1/2" port block.

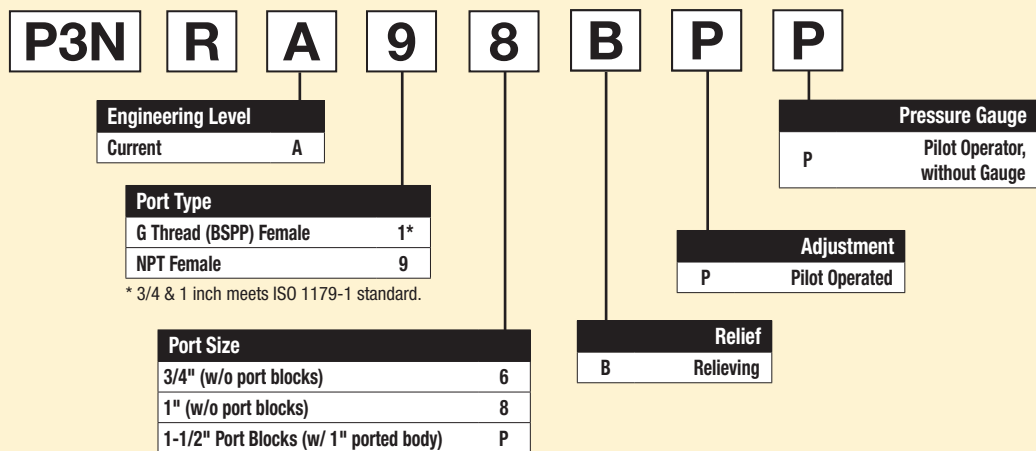
Operating information

| | | |
|------------------------|-----------------------------|-----------------------------|
| Supply pressure (max): | 250 psig (17.2 bar) | |
| Operating temperature: | 32°F to 175°F (0°C to 80°C) | |
| Flow capacity†: | | |
| High flow | 3/4" | 300 scfm (141.6 dm³/s, ANR) |
| | 1" | 300 scfm (141.6 dm³/s, ANR) |
| | 1-1/2" | 350 scfm (165.2 dm³/s, ANR) |
| Gauge ports (2): | 1/4 inch | |
| Weight: | 3/4", 1" | 3.3 lb (1.5 kg) |
| | 1-1/2" # | 4.4 lb (2.0 kg) |

† scfm = Standard cubic feet per minute at 100 psig inlet, 90 psig no flow secondary setting and 10 psig pressure drop.

1" port body with 1-1/2" port block

Ordering Information:



Note: BSPP ported units supplied using NPT ported bodies and BSPP port block kits.

Most popular.



For inventory, lead times, and kit lookup, visit www.pdnplu.com

Hi-Flow Pilot Controlled Regulators

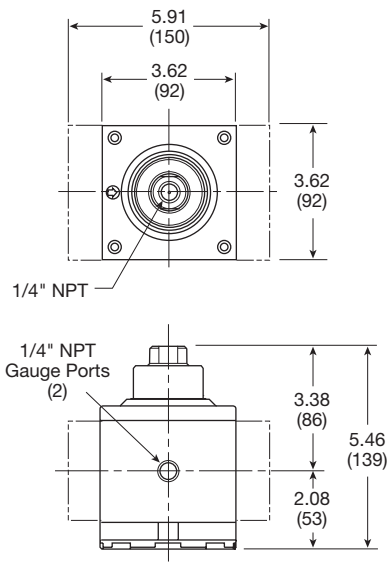
Material Specifications

| | |
|------------------|----------|
| Adjusting stem | Steel |
| Body | Aluminum |
| Bonnet | Aluminum |
| Piston | Plastic |
| Poppet assembly | Brass |
| Seals | Nitrile |
| Springs – poppet | Steel |

Repair and Service Kits

| | |
|--|---------------------|
| 2" dial face 60 psig (0 to 4.1 bar), gauge | K4520N14060 |
| 2" dial face 160 psig (0 to 11.0 bar), gauge | K4520N14160 |
| 2" dial face 300 psig (0 to 20.7 bar), gauge | K4520N14300 |
| 1-3/4" digital round face 160 psig (0 to 11.0 bar), gauge | K4517N14160D |
| Mounting bracket kit* | P3NKA00MW |
| Relieving | P3NKA00PD |

* If 1-1/2 BSPP E02 fittings are required, use P3NKA00BMW.

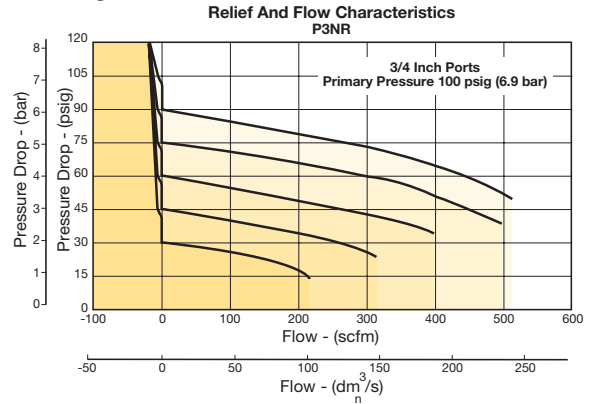


Inches (mm)

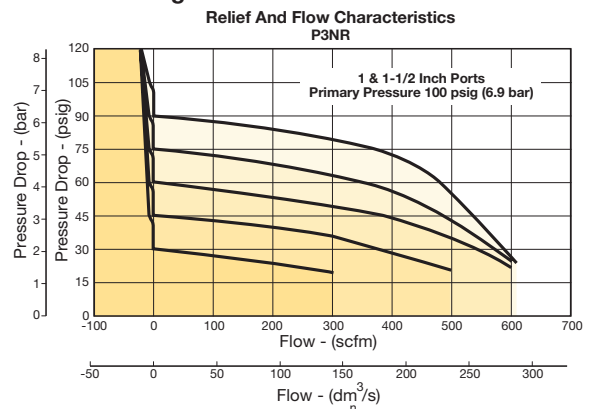
Air Preparation Products P3N Products

Flow Charts

P3NR 3/4" Regulator



P3NR 1" & 1-1/2" Regulator



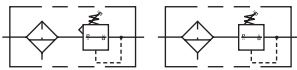
⚠ WARNING
Product rupture can cause serious injury.
Do not connect regulator to bottled gas.
Do not exceed Maximum primary pressure rating.



For inventory, lead times, and kit lookup, visit www.pdnplu.com

P3NE Filter / Regulator – Hi-Flow

- Port blocks (PB) available to provide 1-1/2" port extension to 1" ported bodies
- Excellent water removal efficiency
- Metal bowl with sight gauge
- Large filter element surface guarantees low pressure drop and increased element life
- Twist drain as standard, optional auto drain
- Self relieving feature plus balanced poppet provides quick response and accurate pressure regulation
- Solid control piston for extended life
- 3/4", 1", 1-1/2" # ports (NPT, BSPP)



| Port Size | Description | Part Number |
|-----------|---|----------------------|
| 3/4" | Metal Bowl, Sight Gauge, Twist Drain | P3NEA96GSMBNN |
| 3/4" | Metal Bowl, Sight Gauge, Auto Float Drain | P3NEA96GSABNN |
| 1" | Metal Bowl, Sight Gauge, Twist Drain | P3NEA98GSMBNN |
| 1" | Metal Bowl, Sight Gauge, Auto Float Drain | P3NEA98GSABNN |
| 1-1/2"# | Metal Bowl, Sight Gauge, Twist Drain | P3NEA9PGSMBNN |
| 1-1/2"# | Metal Bowl, Sight Gauge, Auto Float Drain | P3NEA9PGSABNN |

1" port body with 1-1/2" port block.

Operating information

| | | |
|------------------------|-------------------------------|--|
| Supply pressure (max): | 0 to 250 psig (0 to 17.2 bar) | |
| Operating temperature: | 32°F to 175°F (0°C to 80°C) | |
| Flow capacity†: | | |
| High flow | 3/4" | 250 scfm (118 dm ³ /s, ANR) |
| | 1" | 250 scfm (118 dm ³ /s, ANR) |
| | 1-1/2" | 250 scfm (118 dm ³ /s, ANR) |
| Bowl capacity: | 18.0 oz. | |
| Sump capacity: | 6.8 oz. | |
| Weight: | 3/4" | 5.3 lb (2.4 kg) |
| | 1" | 5.3 lb (2.4 kg) |
| | 1-1/2" | 6.43 lb (2.9 kg) |

† scfm = Standard cubic feet per minute at 90 psig inlet and 5 psig pressure drop with 40 micron element

1" port body with 1-1/2" port block

Ordering Information:

P3N E A 9 8 G S M B N N

- Engineering Level**
Current: **A**
- Port Type**
G Thread (BSPP) Female: **1***
NPT Female: **9**
* 3/4 & 1 inch meets ISO 1179-1 standard.
- Port Size**
3/4" (w/o port blocks): **6**
1" (w/o port blocks): **8**
1-1/2" Port Blocks (w/ 1" ported body): **P**
- Element**
40 micron: **G**
- Bowl**
S: **Metal Bowl with Sight Gauge**
- Drains**
M: **Twist Drain**
A: **Auto Float Drain**
- Relief**
B: **Relieving**
- Adjustment**
N: **Non-Rising Knob**
- Port Type**
Without Gauge
N: 125 psi (0 to 8 bar)
H: 250 psi (0 to 17 bar)
With Gauge
G: 125 psi (0 to 8 bar)
J: 250 psi (0 to 17 bar)

Note: BSPP ported units supplied using NPT ported bodies and BSPP port block kits.

Most popular.



For inventory, lead times, and kit lookup, visit www.pdnplu.com

G10

Parker Hannifin Corporation
Pneumatic Division
Richland, Michigan
www.parker.com/pneumatics

P3N Products

Filters

Coalescers

Regulators

Filter / Regulators

Lubricators

Combinations

Hi-Flow Filter / Regulators

Material Specifications

| | |
|------------------------------|--------------------|
| Adjusting stem | Steel |
| Body, bonnet, bowl | Aluminum |
| Drain | Plastic |
| 40 micron element (standard) | Plastic |
| 5 micron element (optional) | Plastic |
| Adsorber element (optional) | Activated charcoal |
| Knob | Plastic |
| Piston | Plastic |
| Seals | Nitrile |
| Sight gauge | Polyamide (nylon) |
| Poppet & control, spring | Steel |

Repair and Service Kits

| | |
|--|---------------------|
| Metal bowl, sight gauge / auto float drain | P3NKA00BSA |
| Metal bowl, sight gauge / twist drain | P3NKA00BSM |
| Bowl latch kit | C11A33 |
| Control knob | P3NKA00PN |
| Auto float drain | PS506P |
| Twist drain | PS512P |
| 40 micron element | P3NKA00ESG |
| 5 micron element | P3NKA00ESE |
| Adsorber element | P3NKA00ESA |
| 2" dial face 60 psig (0 to 4.1 bar), gauge | K4520N14060 |
| 2" dial face 160 psig (0 to 11.0 bar), gauge | K4520N14160 |
| 2" dial face 300 psig (0 to 20.7 bar), gauge | K4520N14300 |
| 1-3/4" digital round face 160 psig (0 to 11.0 bar), gauge | K4517N14160D |
| Mounting bracket kit* | P3NKA00MW |
| Relieving | P3NKA00RR |
| Non-relieving | P3NKA00RN |
| Sight gauge kit | P3NKA00PE |
| 1-60 psig spring | C10A1304 |
| 2-125 psig spring | C10A1308 |
| 5-250 psig spring | C10A1317 |

* If 1-1/2 BSPP E02 fittings are required, use P3NKA00BMW.

WARNING

**Product rupture can cause serious injury.
Do not connect regulator to bottled gas.
Do not exceed Maximum primary pressure rating.**

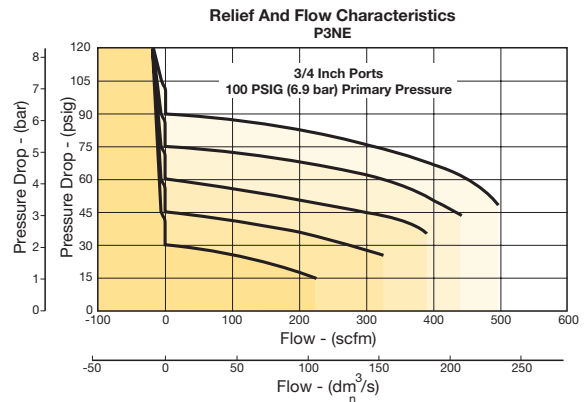
CAUTION:

REGULATOR PRESSURE ADJUSTMENT – The working range of knob adjustment is designed to permit outlet pressures within their full range. Pressure adjustment beyond this range is also possible because the knob is not a limiting device. This is a common characteristic of most industrial regulators, and limiting devices may be obtained only by special design. For best performance, regulated pressure should always be set by increasing the pressure up to the desired setting.

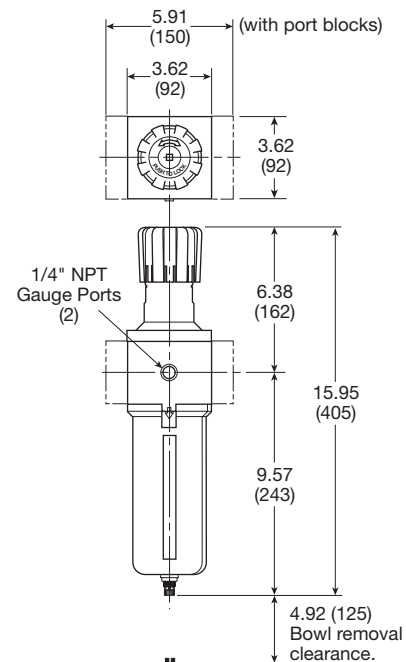
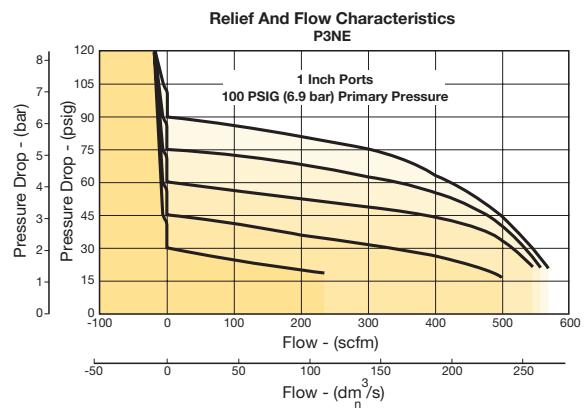
Air Preparation Products P3N Products

Flow Charts

P3NE 3/4" Filter / Regulator



P3NE 1" & 1-1/2" Filter / Regulator



For inventory, lead times, and kit lookup, visit www.pdnplu.com

P3NL Mist Lubricators – Hi-Flow

- Port blocks (PB) available to provide 1-1/2" port extension to 1" ported bodies
- Proportional oil delivery over a wide range of air flows
- Bowl can be filled while air line is under pressure
- Transparent sight dome for 360° visibility
- Integral 3/4", 1" ports (NPT, BSPP)



| Port Size | Description | Part Number |
|-----------|-----------------------------------|-------------------|
| 3/4" | Metal Bowl, Sight Gauge, No Drain | P3NLA96LSN |
| 1" | Metal Bowl, Sight Gauge, No Drain | P3NLA98LSN |
| 1-1/2" # | Metal Bowl, Sight Gauge, No Drain | P3NLA9PLSN |

1" Port Body with 1-1/2" Port Block.

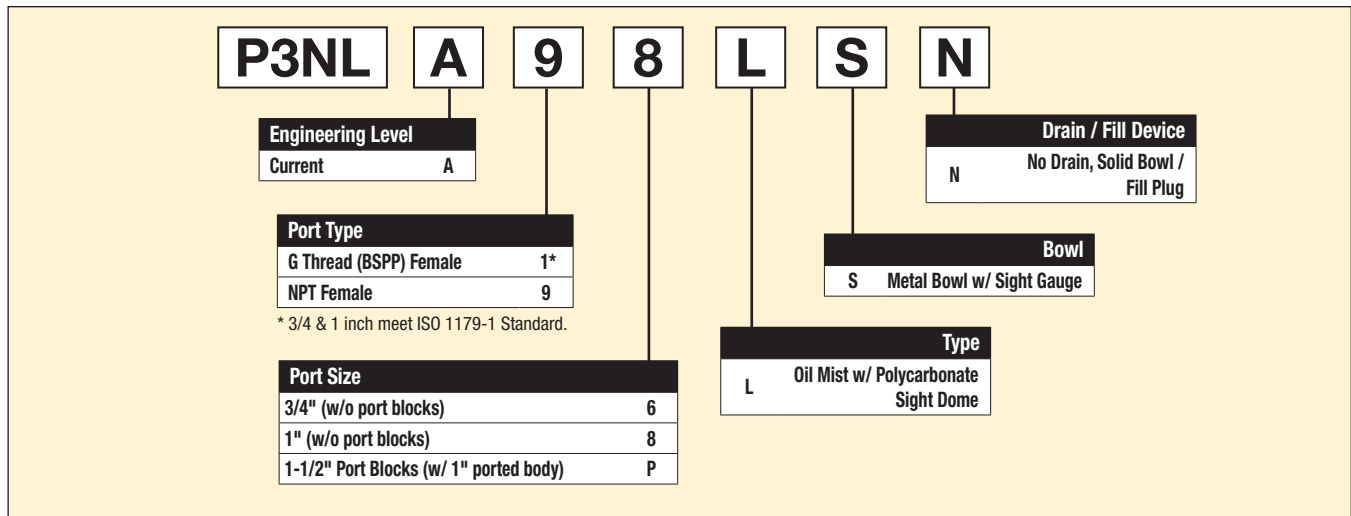
Operating information

| | |
|------------------------|---|
| Supply pressure (max): | 250 psig (17.2 bar) |
| Operating temperature: | 32°F to 175°F (0°C to 80°C) |
| Flow capacity†: | |
| High flow | 3/4" 240 scfm (113.3 dm³/s, ANR) |
| | 1" 250 scfm (118 dm³/s, ANR) |
| | 1-1/2" 260 scfm (122.7 dm³/s, ANR) |
| Minimum flow | 6.6 scfm (3.1 dm³/s, ANR) at 100 psig (6.9 bar) |
| Bowl capacity: | 18.0 oz. |
| Weight: | 3/4", 1" 3.5 lb (1.6 kg) |
| | 1-1/2" # 4.6 lb (2.1 kg) |

† scfm = Standard cubic feet per minute at 90 psig inlet and 5 psig pressure drop.

1" port body with 1-1/2 port block

Ordering Information:



Note: All configured BSPP ported units are supplied using NPT ported bodies and BSPP port block kits.

Suggested LubricantF442 Oil

Petroleum based oil of 100 to 200 SUS viscosity at 100°F (38°C) and an aniline point greater than 200°F (93°C)
(DO NOT USE OILS WITH ADDITIVES, COMPOUNDED OILS CONTAINING SOLVENTS, GRAPHITE, DETERGENTS, OR SYNTHETIC OILS.)

Most popular.



For inventory, lead times, and kit lookup, visit www.pdnplu.com

P3N Products

G

Filters

Coalescers

Regulators

Filter / Regulators

Lubricators

Combinations

Hi-Flow Mist Lubricators

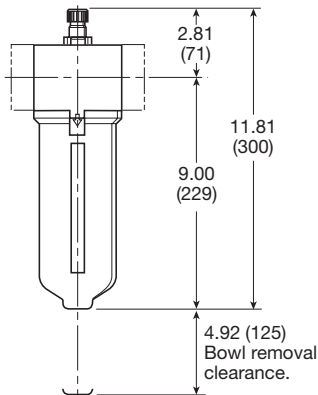
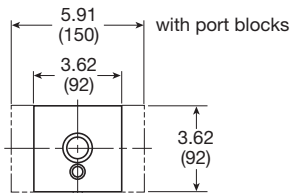
Material Specifications

| | |
|--------------------------------------|-------------------|
| Body, bowl | Aluminum |
| Injector meter block & base assembly | Plastic |
| Seals | Nitrile |
| Sight dome | Polycarbonate |
| Sight gauge | Polyamide (nylon) |

Repair and Service Kits

| | |
|--|-------------------|
| Adjustment knob | P04121 |
| Metal bowl / sight gauge / twist drain | P3NKA00BSM |
| Metal bowl / sight gauge / no drain | P3NKA00BSN |
| Bowl latch kit | C11A33 |
| Twist drain kit | PS512P |
| Fill cap kit | P3NKA00PL |
| Sight dome kit, polycarbonate | PS740P |
| Sight dome kit, nylon | PS740N |
| Sight gauge kit | P3NKA00PE |
| Pressure fill adapter kit | P3NKA00PK |
| Service kit | P3NKA00RL |
| Mounting bracket kit* | P3NKA00MW |
| Oil (1 quart) | F442001 |
| Oil (1 gallon) | F442002 |
| Oil (12 quart case) | F442003 |
| Oil (4 gallon case) | F442005 |

* If 1-1/2 BSPP E02 fittings are required, use P3NKA00BMW.

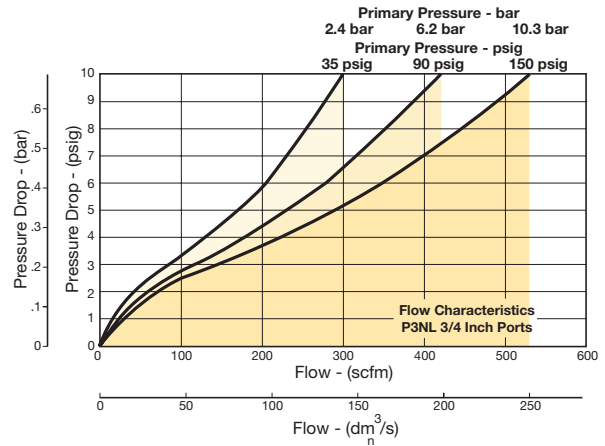


Inches (mm)

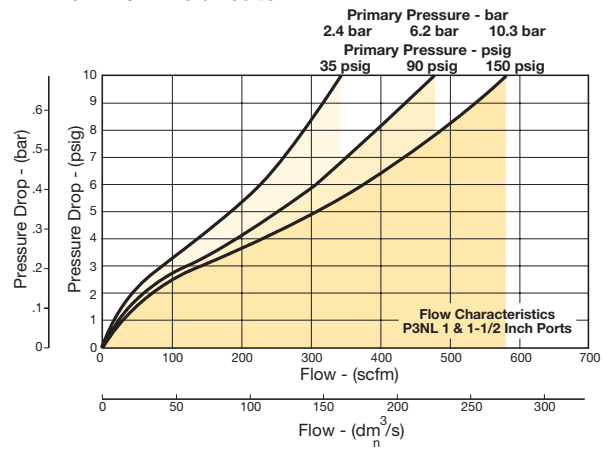
Air Preparation Products P3N Products

Flow Charts

P3NL 3/4" Lubricator



P3NL 1" & 1-1/2" Lubricator



P3N Products



Filters

Coalescers

Regulators

Filter / Regulators

Lubricators

Combinations

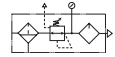


For inventory, lead times, and kit lookup, visit www.pdnplu.com

Popular Combinations: Inlet pressure 90 psig (6.2 bar), and 0.3 psig (5 bar) pressure drop.



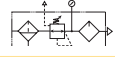
**Filter/Regulator + Lubricator Combinations, metal bowl, manual twist drain
40 micron element, 125 psig (8.6 bar) regulator without gauge**



| Port Size | Bowl Type | Relief Type | Manual Twist Drain |
|-----------|--------------------|-------------|------------------------|
| 3/4" | Metal, Twist Drain | Relieving | P3NCA96SGMNNLNA |
| 1" | Metal, Twist Drain | Relieving | P3NCA98SGMNNLNA |
| 1-1/2" # | Metal, Twist Drain | Relieving | P3NCA9PSGMNNLNA |



**Filter + Regulator + Lubricator Combinations, metal bowl, manual twist drain
40 micron element, 125 psig (8.6 bar) regulator without gauge**



| Port Size | Bowl Type | Relief Type | Manual Twist Drain |
|-----------|--------------------|-------------|------------------------|
| 3/4" | Metal, Twist Drain | Relieving | P3NCB96SGMNNLNA |
| 1" | Metal, Twist Drain | Relieving | P3NCB98SGMNNLNA |
| 1-1/2" # | Metal, Twist Drain | Relieving | P3NCB9PSGMNNLNA |

Notes: All combo part numbers are with regulator knob in up position.
BSPP ported units supplied using NPT ported bodies and BSPP port block kits.
1" Port body with 1-1/2" port block

Ordering Information:

P3N C A 9 6 S G M N N L N A

| | | | | | | | | | | | |
|---------------------------------------|--|--|--|--|-------------------------------|------------------------------|--|---|--|---|--|
| Type Combination, Modular C | Combination 2-Unit, Hi-Flow, Metal Bowl A 3-Unit, Hi-Flow, Metal Bowl B | Port Type G Thread (BSPP) Female 1 NPT Female 9 | Port Size 3/4" (w/o port blocks) 6 1" (w/o port blocks) 8 1-1/2" Port Blocks (w/ 1" ported body) P | Bowl Metal Bowl w/ Sight Gauge S | Element 40 micron G | Relief N Relieving | Drains M Twist Drain A Auto Float Drain | Pressure Gauge N 125 psi (0 to 8 bar), without Gauge H 250 psi (0 to 17 bar), without Gauge G 125 psi (0 to 8 bar), with Gauge J 250 psi (0 to 17 bar), with Gauge | Lubricator Type L Oil Mist w/ Polycarbonate Sight Dome | Lubricator Drain / Fill Device N No Drain, Solid Bowl / Fill Plug | Mounting Option A No Bracket or Kits B Wall Bracket |
|---------------------------------------|--|--|--|--|-------------------------------|------------------------------|--|---|--|---|--|

Note: All configured BSPP ported units are supplied using NPT ported bodies and BSPP port block kits.

Most popular.



For inventory, lead times, and kit lookup, visit www.pdnplu.com

P3N Products
G
Filters
Coalescers
Regulators
Filter / Regulators
Lubricators
Combinations

Modular Combinations

Repair and Service Kits

| | |
|---|------------------|
| Mounting bracket kit | P3NKA00MW |
| Replacement body cover | P3NKA00PM |
| Individual NPT 3/4" Port block kits | P3NKB96CP |
| Individual NPT 1" Port block kits | P3NKB98CP |
| Individual NPT 1-1/2" Port block kits | P3NKB9BCP |
| Individual BSPP 3/4" Port block kits | P3NKB16CP |
| Individual BSPP 1" Port block kits | P3NKB18CP |
| Individual BSPP 1-1/2" Port block kits | P3NKB1BCP |
| Combination NPT 3/4" Port block kits | P3NKB96CL |
| Combination NPT 1" Port block kits | P3NKB98CL |
| Combination NPT 1-1/2" Port block kits | P3NKB9BCL |
| Combination BSPP 3/4" Port block kits | P3NKB16CL |
| Combination BSPP 1" Port block kits | P3NKB18CL |
| Combination BSPP 1-1/2" Port block kits | P3NKB1BCL |

Note: 2-piece filter and regulator (F+R) assemblies require a (P3NKXXCCP) port block kit.

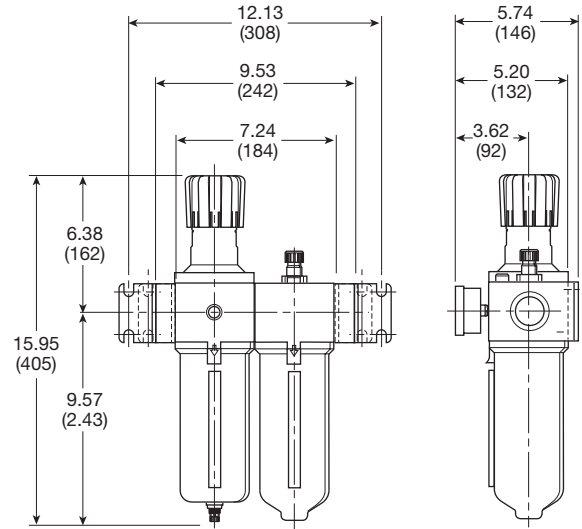
WARNING

Product rupture can cause serious injury.
Do not connect regulator to bottled gas.
Do not exceed Maximum primary pressure rating.

CAUTION:

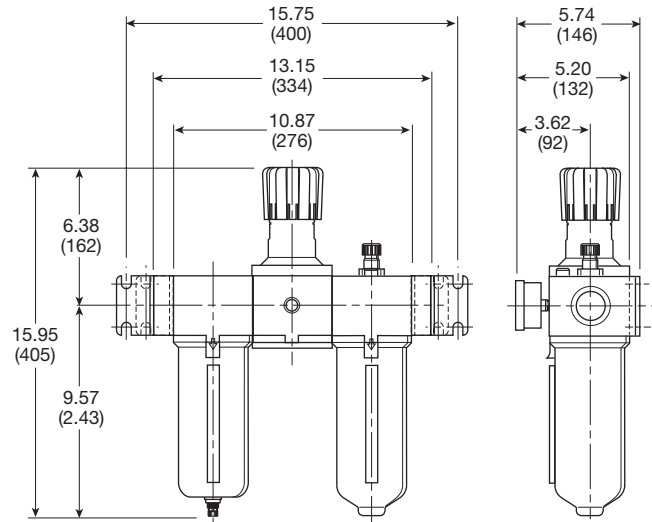
REGULATOR PRESSURE ADJUSTMENT – The working range of knob adjustment is designed to permit outlet pressures within their full range. Pressure adjustment beyond this range is also possible because the knob is not a limiting device. This is a common characteristic of most industrial regulators, and limiting devices may be obtained only by special design. For best performance, regulated pressure should always be set by increasing the pressure up to the desired setting.

P3NCA (Modular 2-unit)



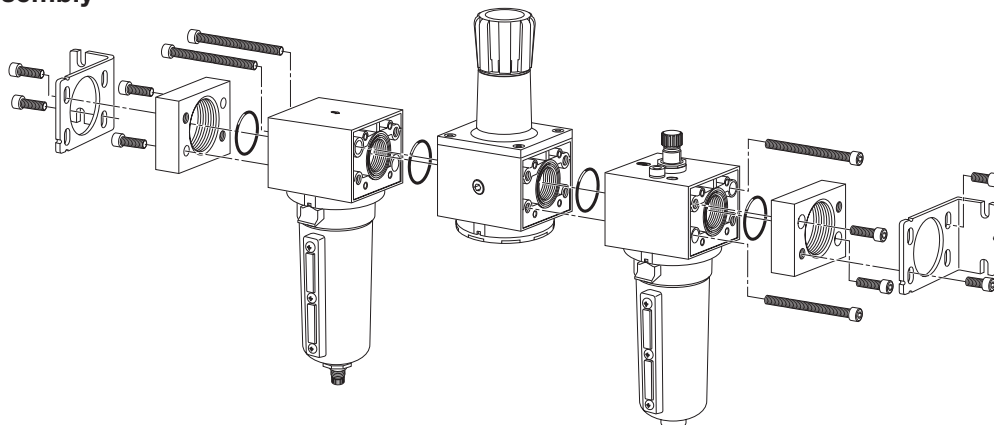
Inches (mm)

P3NCB (Modular 3-unit)



Inches (mm)

Modular Assembly



P3N Products



Filters

Coalescers

Regulators

Filter /
Regulators

Lubricators

Combinations



For inventory, lead times, and kit lookup, visit www.pdnplu.com

P3N Products



For inventory, lead times, and kit lookup, visit www.pdnplu.com

G16

Parker Hannifin Corporation
Pneumatic Division
Richland, Michigan
www.parker.com/pneumatics

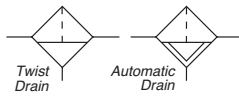


Air Preparation Products
General Industrial

| | |
|---------------------------------|---------|
| F602 Particulate Filters | H2-H7 |
| 35F / 43F Particulate Filters | H8-H9 |
| 35F / 43F Coalescing Filters | H10-H11 |
| F701 Coalescing Filters | H12-H13 |
| P3TF Flanged Coalescing Filters | H14-H15 |
| R119 Regulators | H16-H25 |
| 09R Regulators | H26-H27 |
| L606 Lubricators | H28-H31 |
| 09L Lubricators | H32-H33 |
| C628 Combinations | H34 |

F602 Particulate Filters – Hi-Flow

- Excellent water removal efficiency
- For heavy duty applications with minimum pressure drop requirement
- Unique deflector plate that creates swirling of the air stream ensuring maximum water and dirt separation
- Large filter element surface guarantees low pressure drop and increased element life
- 40 micron filter element standard, 5 micron available
- Metal bowl with sight gauge standard
- Twist drain as standard, optional auto drain
- 3/4" & 1" port, NPT & BSPP



| Port Size | Description | Part Number |
|-----------|----------------------------------|-------------------|
| 3/4" | 16 oz. Metal Bowl / Manual Drain | F602-06WJ |
| 3/4" | 16 oz. Metal Bowl / Auto Drain | F602-06WJR |
| 3/4" | 32 oz. Metal Bowl / Manual Drain | F602-06EJ |
| 3/4" | 32 oz. Metal Bowl / Auto Drain | F602-06EJR |
| 1" | 16 oz. Metal Bowl / Manual Drain | F602-08WJ |
| 1" | 16 oz. Metal Bowl / Auto Drain | F602-08WJR |
| 1" | 32 oz. Metal Bowl / Manual Drain | F602-08EJ |
| 1" | 32 oz. Metal Bowl / Auto Drain | F602-08EJR |

Operating information

Supply pressure (max):
 Aluminum (E) 0 to 300 psig (0 to 20.7 bar)
 Zinc with gauge (W) 0 to 250 psig (0 to 17.2 bar)
 With internal auto drain [R] 20 to 175 psig (1.14 to 11.9 bar)
 With external auto drain [Q] 0 to 250 psig (0 to 17.2 bar)

Operating temperature:
 Aluminum (E) 40°F to 150°F (4.4°C to 65.6°C)
 Zinc with gauge (W) 40°F to 150°F (4.4°C to 65.6°C)
 With internal auto drain [R] 40°F to 125°F (4.4°C to 52°C)
 With external auto drain [Q] 40°F to 150°F (4.4°C to 65.6°C)

Flow capacity†:
 High flow 3/4" 270 scfm (127.4 dm³/s, ANR)
 1" 300 scfm (141.5 dm³/s, ANR)

Bowl capacity:
 Zinc with gauge (W) 16 oz.
 Aluminum (E) 32 oz.

Weight: 16 oz. 6.3 lb (2.86)
 32 oz. 7.0 lb (3.18 kg)

† scfm = Standard cubic feet per minute at 90 psig inlet and 5 psig pressure drop.
 () Bowl type, [] drain type.

Ordering Information:

F602 - 06 W J [] /**

| | | |
|---------------------|--|--------------------------------|
| Port Threads | | Engineering Level |
| NPT - | | /** Will be Entered at Factory |
| G BSPP G | | |

| | | |
|------------------|--|----------------------------------|
| Port Size | | Drains and Options |
| 3/4 inch 06 | | Blank Manual Twist Drain |
| 1 inch 08 | | Q External Heavy Duty Auto Drain |
| | | R Internal Auto Drain |
| | | U Semi-Auto Drain |

| | | |
|---|--|----------------|
| Bowl | | Element |
| 32 oz. Large Capacity Metal without Sight Gauge E | | G 5 Micron |
| 16 oz. Metal with Sight Gauge W | | J 40 Micron |

Most popular.



For inventory, lead times, and kit lookup, visit www.pdnplu.com

Hi-Flow Particulate Filters

Material Specifications

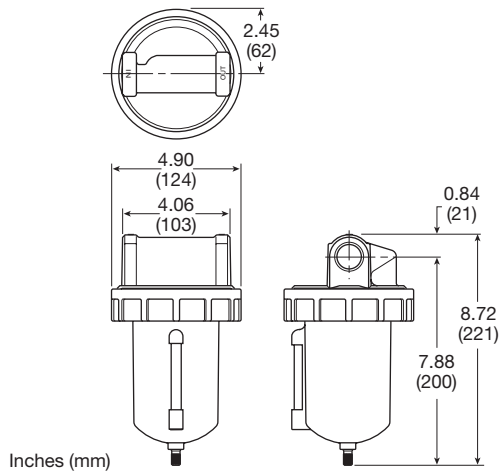
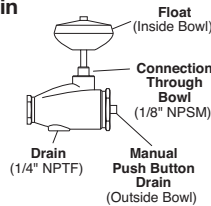
| | |
|-------------------------------------|---------------|
| Body | Zinc |
| Bowl (E) 32 oz. without sight gauge | Aluminum |
| Bowl (W) 16 oz. with sight gauge | Zinc |
| Manual twist drain & overnight | Brass |
| Drain housing "R" | Acetal |
| Drain housing "Q" | Bronze |
| Element | Polypropylene |
| Seals | Nitrile |
| Sight gauge | Nylon |

Repair and Service Kits

| | |
|---|------------------|
| Aluminum bowl (E) 32 oz. | BK603B |
| Zinc bowl with sight gauge (W) 16 oz. | BK605WB |
| External auto drain (E) 32 oz. | SA603D |
| External auto drain (W) 16 oz. | SA602D |
| Internal auto drain (All) | SA602MD |
| Manual drain (All) | SA600Y7-1 |
| Semi-auto "overnight" drain <i>(drains automatically under zero pressure)</i> | SA602A7 |
| 40 micron element (All) | EK602B |
| 5 micron element (All) | EK602VB |
| Mounting bracket, 3/4" Unit <i>(pair or 2 kits pipe mounted brackets needed)</i> | SA200AW57 |
| Mounting bracket, 1" Unit <i>(pair or 2 kits pipe mounted brackets needed)</i> | SA200CW57 |
| Deflector, baffle assembly, & retaining rod (E,W) | RK602B |
| External auto drain (All) | RK602D |
| Internal auto drain (All) | RK602MD |
| Sight glass repair kit (W) | RKB605WB |

**"Q" Option External Heavy Duty Auto Drain
SA602D / SA603D**

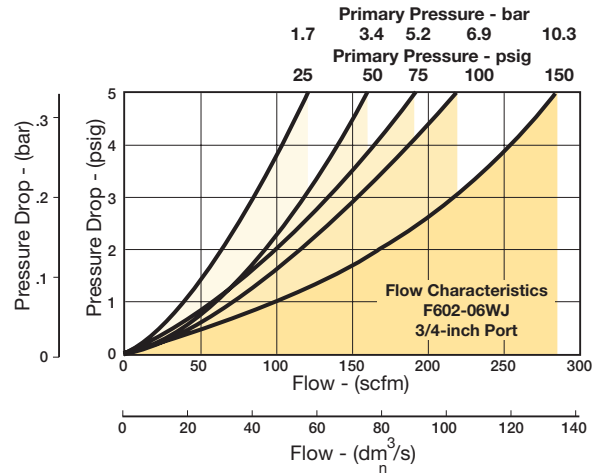
For heavy duty applications where the filter is being used to remove large volumes of liquid and/or particulate matter from the airstream, the external automatic drain ("Q" option) should be used.



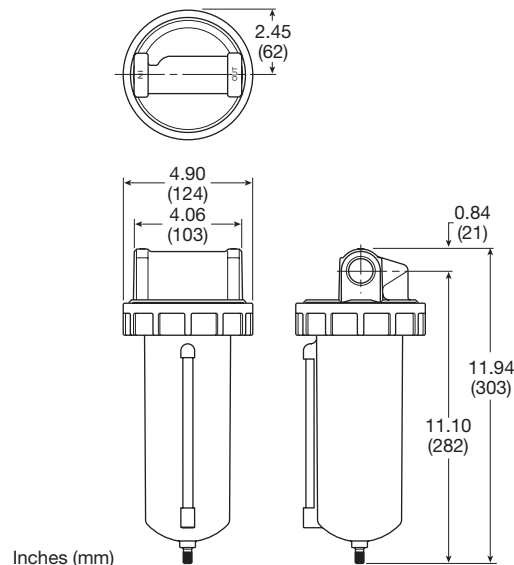
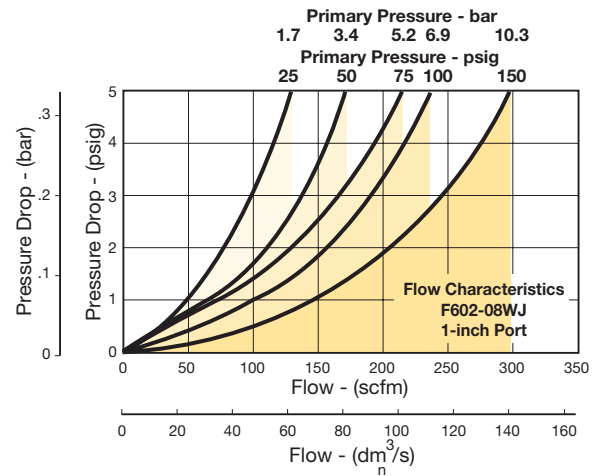
F602-06W, F602-08W (Hi-Flow)

Flow Charts

F602 3/4" Particulate Filter



F602 1" Particulate Filter



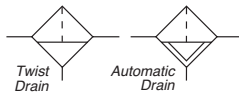
F602-06E, F602-08E (Hi-Flow)



For inventory, lead times, and kit lookup, visit www.pdnplu.com

F602 Particulate Filters – Hi-Flow

- Excellent water removal efficiency
- For heavy duty applications with minimum pressure drop requirement
- Unique deflector plate that creates swirling of the air stream ensuring maximum water and dirt separation
- Large filter element surface guarantees low pressure drop and increased element life
- 40 micron filter element standard, 5 micron available
- Metal bowl with sight gauge standard
- Twist drain as standard, optional auto drain
- Large bowl capacity
- Optional high capacity bowl(s) available
- 1-1/2" port, NPT & BSPP



| Port Size | Description | Part Number |
|-----------|----------------------------------|-------------------|
| 1-1/2" | 16 oz. Metal Bowl / Manual Drain | F602-12WJ |
| 1-1/2" | 16 oz. Metal Bowl / Auto Drain | F602-12WJR |
| 1-1/2" | 32 oz. Metal Bowl / Manual Drain | F602-12EJ |
| 1-1/2" | 32 oz. Metal Bowl / Auto Drain | F602-12EJR |

Operating information

Supply pressure (max):
 Aluminum (E) 0 to 300 psig (0 to 20.7 bar)
 Zinc with gauge (W) 0 to 250 psig (0 to 17.2 bar)
 With internal auto drain [R] 20 to 175 psig (1.14 to 11.9 bar)
 With external auto drain [Q] 0 to 250 psig (0 to 17.2 bar)

Operating temperature:
 Aluminum (E) 40°F to 150°F (4.4°C to 65.6°C)
 Zinc with gauge (W) 40°F to 150°F (4.4°C to 65.6°C)
 With internal auto drain [R] 40°F to 125°F (4.4°C to 52°C)
 With external auto drain [Q] 40°F to 150°F (4.4°C to 65.6°C)

Flow capacity†:
 High flow 1-1/2" 450 scfm (212.4 dm³/s, ANR)

Bowl capacity:
 Zinc with gauge (W) 16 oz.
 Aluminum (E) 32 oz.

Weight:
 16 oz. 7.0 lb (3.18 kg)
 32 oz. 7.7 lb (3.49 kg)

† scfm = Standard cubic feet per minute at 90 psig inlet and 5 psig pressure drop.
 () Bowl type, [] drain type.

Ordering Information:

F602 - 12 W J [] /**

| | |
|---|----------------------------------|
| Port Threads | Engineering Level |
| NPT - | /** Will Be Entered at Factory |
| G BSPP G | |
| Port Size | Drains and Options |
| 1-1/2 inch 12 | Blank Manual Twist Drain |
| Bowl | Q External Heavy Duty Auto Drain |
| 32 oz. Large Capacity Metal without Sight Gauge E | R Internal Auto Drain |
| 16 oz. Metal with Sight Gauge W | U Semi-Auto Drain |
| Element | |
| G 5 Micron | |
| J 40 Micron | |

Most popular.



For inventory, lead times, and kit lookup, visit www.pdnplu.com

General Industrial Products

H

Filters

Coalescers

Regulators

Lubricators

Combinations

Hi-Flow Particulate Filters

Material Specifications

| | |
|-------------------------------------|---------------|
| Body | Zinc |
| Bowl (E) 32 oz. without sight gauge | Aluminum |
| Bowl (W) 16 oz. with sight gauge | Zinc |
| Manual twist drain & overnight | Brass |
| Drain housing "R" | Acetal |
| Drain housing "Q" | Bronze |
| Element | Polypropylene |
| Seals | Nitrile |
| Sight gauge | Nylon |

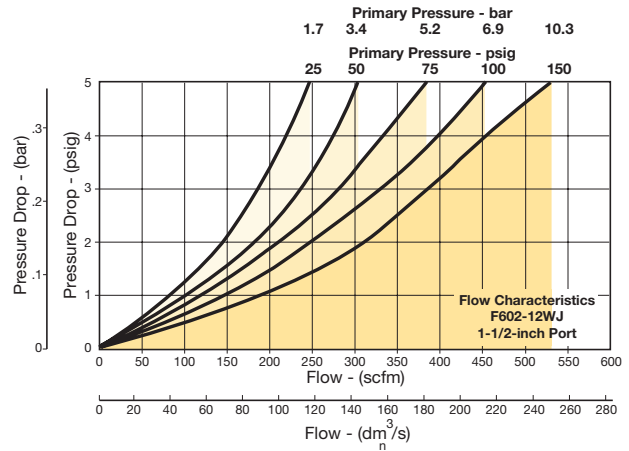
Repair and Service Kits

| | |
|---|------------------|
| Aluminum bowl (E) 32 oz. | BK603B |
| Zinc bowl with sight gauge (W) 16 oz. | BK605WB |
| External auto drain (E) 32 oz. | SA603D |
| External auto drain (W) 16 oz. | SA602D |
| Internal auto drain (All) | SA602MD |
| Manual drain (All) | SA600Y7-1 |
| Semi-automatic "overnight" drain <i>(drains automatically under zero pressure)</i> | SA602A7 |
| 40 micron element (All) | EK602B |
| 5 micron element (All) | EK602VB |
| Deflector, baffle assembly, & retaining rod (All) | RK602C |
| External auto drain (All) | RK602D |
| Internal auto drain (All) | RK602MD |
| Sight glass repair kit (W) | RKB605WB |

Air Preparation Products General Industrial

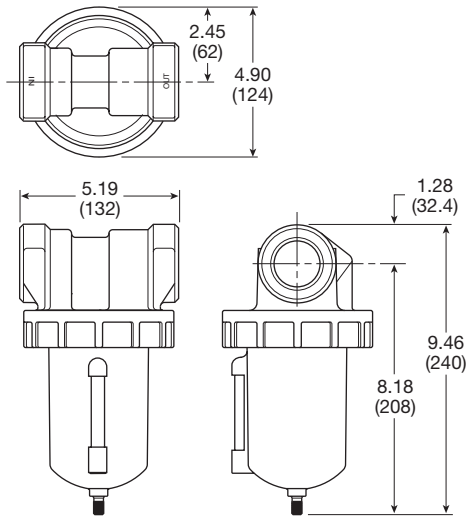
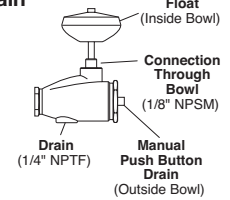
Flow Charts

F602 1-1/2" Particulate Filter



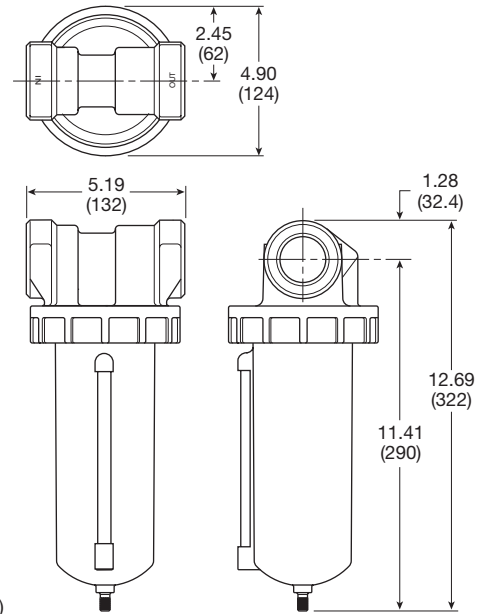
"Q" Option External Heavy Duty Auto Drain SA602D / SA603D

For heavy duty applications where the filter is being used to remove large volumes of liquid and/or particulate matter from the airstream, the external automatic drain ("Q" option) should be used.



Inches (mm)

F602-12W (Hi-Flow)



Inches (mm)

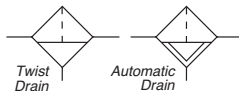
F602-12E (Hi-Flow)



For inventory, lead times, and kit lookup, visit www.pdnplu.com

F602 Particulate Filters – Hi-Flow

- Excellent water removal efficiency
- For heavy duty applications with minimum pressure drop requirement.
- Unique deflector plate that creates swirling of the air stream ensuring maximum water and dirt separation.
- Large filter element surface guarantees low pressure drop and increased element life.
- 40 micron filter element standard.
- Metal bowl with sight gauge standard.
- Twist drain as standard, optional auto drain.
- Large bowl capacity.
- Optional high capacity bowl(s) available
- 2" port, NPT & BSPP



| Port Size | Description | Part Number |
|-----------|----------------------------------|-------------------|
| 2" | 16 oz. Metal Bowl / Manual Drain | F602-16WJ |
| 2" | 16 oz. Metal Bowl / Auto Drain | F602-16WJR |
| 2" | 32 oz. Metal Bowl / Manual Drain | F602-16EJ |
| 2" | 32 oz. Metal Bowl / Auto Drain | F602-16EJR |

Operating information

Supply pressure (max):
 Aluminum (E) 0 to 300 psig (0 to 20.7 bar)
 Zinc with gauge (W) 0 to 250 psig (0 to 17.2 bar)
 With internal auto drain [R] 20 to 175 psig (1.14 to 11.9 bar)
 With external auto drain [Q] 0 to 250 psig (0 to 17.2 bar)

Operating temperature:
 Aluminum (E) 40°F to 150°F (4.4°C to 65.6°C)
 Zinc with gauge (W) 40°F to 150°F (4.4°C to 65.6°C)
 With internal auto drain [R] 40°F to 125°F (4.4°C to 52°C)
 With external auto drain [Q] 40°F to 150°F (4.4°C to 65.6°C)

Flow capacity†:
 High flow 2" 1200 scfm (566.3 dm³/s, ANR)

Bowl capacity:
 Zinc with gauge (W) 16 oz.
 Aluminum (E) 32 oz.

Weight:
 16 oz. 9.8 lb (4.45 kg)
 32 oz. 10.3 lb (4.67 kg)

† scfm = Standard cubic feet per minute at 90 psig inlet and 5 psig pressure drop.
 () Bowl type, [] drain type.

Ordering Information:

F602 - **16** **W** **J** **/****

| | |
|--|--|
| Port Threads | Engineering Level |
| NPT - G BSPP G | /** Will Be Entered at Factory |
| Port Size | Drains and Options |
| 2 inch 16 | Blank Manual Twist Drain Q External Heavy Duty Auto Drain R Internal Auto Drain U Semi-Auto Drain |
| Bowl | Element |
| 32 oz. Large Capacity Metal without sight gauge E 16 oz. Metal with Sight Gauge W | J 40 Micron |

Most popular.



For inventory, lead times, and kit lookup, visit www.pdnplu.com

Hi-Flow Particulate Filters

Material Specifications

| | |
|-------------------------------------|---------------|
| Body | Aluminum |
| Bowl (E) 32 oz. without sight gauge | Aluminum |
| Bowl(W) 16 oz. with sight gauge | Zinc |
| Manual twist drain & overnight | Brass |
| Drain housing "R" | Acetal |
| Drain housing "Q" | Bronze |
| Element | Polypropylene |
| Seals | Buna N |
| Sight Gauge | Nylon |

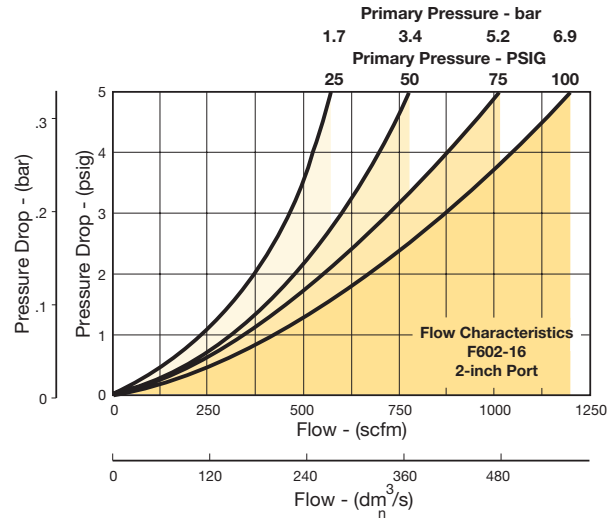
Repair and Service Kits

| | |
|--|------------------|
| Aluminum bowl (E) 32 oz. | BK603B |
| Zinc bowl with sight gauge (W) 16 oz. | BK605WB |
| External auto drain (E) 32 oz. | SA603D |
| External auto drain (W) 16 oz. | SA602D |
| Internal auto drain (All) | SA602MD |
| Manual drain (All) | SA600Y7-1 |
| Semi-auto "overnight" drain <i>(drains automatically under zero pressure)</i> | SA602A7 |
| 40 micron element (All) | EK602G |
| Deflector, baffle assembly, & retaining rod (All) | RK602C |
| External auto drain (All) | RK602D |
| Internal auto drain (All) | RK602MD |
| Sight glass repair kit (W) | RKB605WB |

Air Preparation Products General Industrial

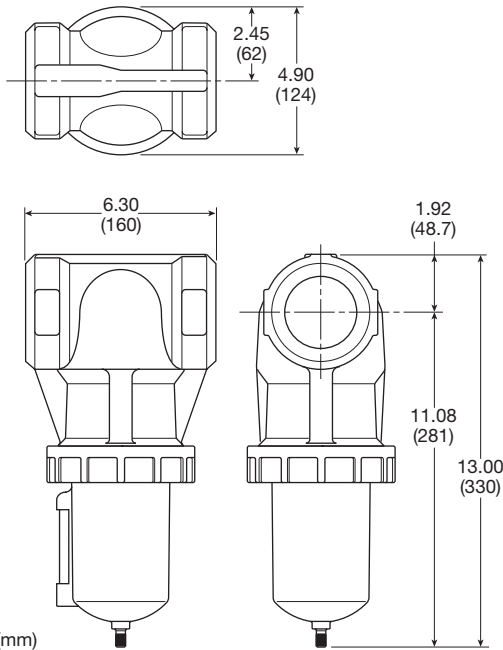
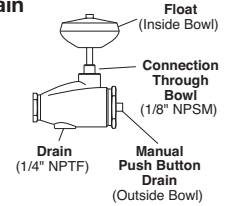
Flow Charts

F602 2" Particulate Filter

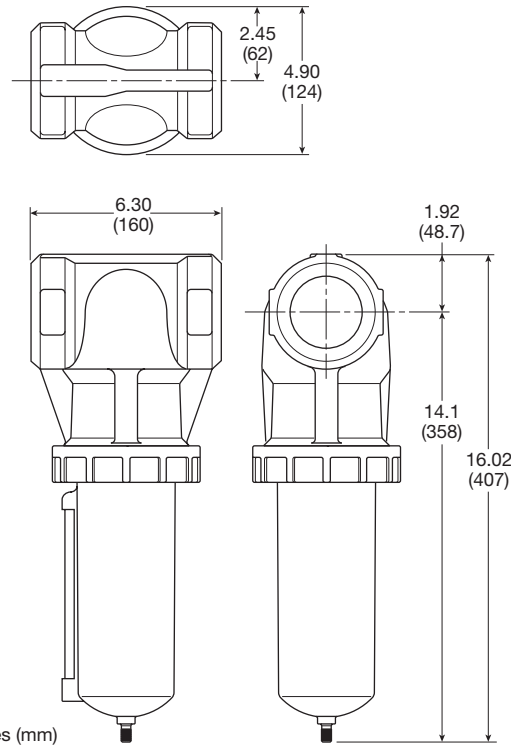


"Q" Option External Heavy Duty Auto Drain SA602D / SA603D

For heavy duty applications where the filter is being used to remove large volumes of liquid and/or particulate matter from the airstream, the external automatic drain ("Q" option) should be used.



F602-16W (Hi-Flow)



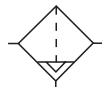
F602-16E (Hi-Flow)



For inventory, lead times, and kit lookup, visit www.pdnplu.com

35F / 43F Particulate Filters – Hi-Flow

- Heavy-duty cast aluminum housings to withstand operating pressures up to 250 psig*
- Differential pressure indicator to eliminate the guesswork of element replacement
- Differential pressure gauge available, order separately, kit DP3-01-000
- Unique drain mounting plate design offers a trouble-free method for interchanging and installing external drains
- 1-1/2" & 2" (35F), 3" (43F) ports, NPT & BSPP



Auto Drain

| Port Size | Description | Part Number |
|-----------|-------------------------|-----------------|
| 1-1/2" | Metal Bowl / Auto Drain | 35F77BAP |
| 2" | Metal Bowl / Auto Drain | 35F87BAP |
| 3" | Metal Bowl / Auto Drain | 43FN7BAP |

Operating information

| | | |
|------------------------|-------------------------------|-------------------------------|
| Supply pressure (max): | | |
| With pressure gauge | | |
| without DPI* | 250 psig (17.2 bar) | |
| with DPI | 150 psig (10.3 bar) | |
| Operating temperature: | 32°F to 150°F (0°C to 65.6°C) | |
| Flow capacity†: | | |
| High flow | 1-1/2" | 1280 scfm (604.1 dm³/s, ANR) |
| | 2" | 1400 scfm (660.7 dm³/s, ANR) |
| | 3" | 2900 scfm (1368.6 dm³/s, ANR) |
| Bowl capacity: | 35F | 13.9 oz. |
| | 43F | 17.2 oz. |
| Standard Filtration: | 5 micron | |
| Weight: | 35F | 19.3 lb (8.7 kg) |
| | 43F | 32.8 lb (14.9 kg) |

† scfm = Standard cubic feet per minute at 90 psig inlet and 5 psig pressure drop.
* Without differential pressure indicator, max supply pressure is 250 psig (17.2 bar).

Ordering Information:

| | | | | | | |
|---|----------|----------|----------------|----------|----------------|--|
| 35F | 7 | 7 | B | A | P | 1 |
| Port Size | | | | | | Port Threads |
| 1-1/2 inch (35F) | 7 | | | | | Blank NPT |
| 2 inch (35F) | 8 | | | | | 1 BSPP |
| 3 inch (43F) | N | | | | | |
| Bowl | | | | | | Options |
| Metal without Sight Gauge, Auto Float Drain | 7 | | | | | N Without Differential Pressure Indicator |
| | | | | | | P* With Differential Pressure Indicator |
| | | | | | | G** With Differential Pressure Gauge |
| | | | | | | * Maximum pressure rating 150 psig (10.3 bar). |
| | | | | | | ** Gauge ships loose |
| | | | Element | | Element | |
| | | | 5 Micron | B | A | Current |

Most popular.

General Industrial Products

H

Filters

Coalescers

Regulators

Lubricators

Combinations



For inventory, lead times, and kit lookup, visit www.pdnplu.com

Hi-Flow Particulate Filters

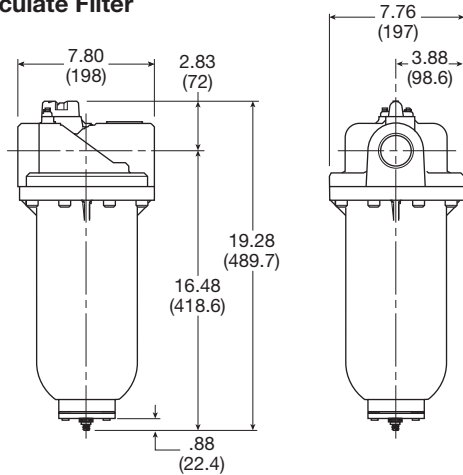
Material Specifications

| | |
|------------------|--------------|
| Baffle | Plated steel |
| Body | Aluminum |
| Bowls | Aluminum |
| Deflector | Plated steel |
| Element retainer | Plated steel |
| Filter element | Polyethylene |
| Seals | Fluorocarbon |
| Stud | Plated steel |

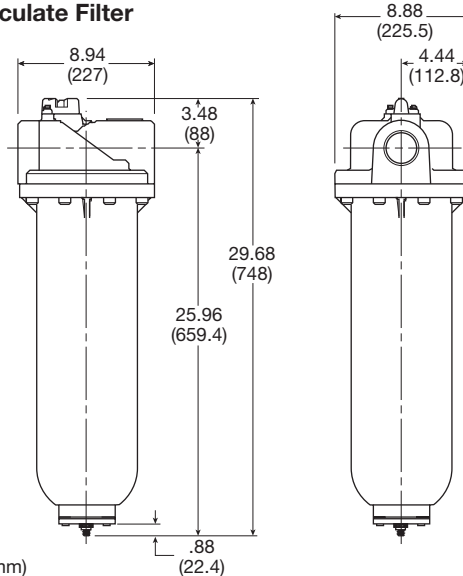
Repair and Service Kits

| | |
|--|-------------------|
| Differential pressure indicator cap For pressures over 150 psig | GRP-95-022 |
| Differential pressure gauge | DP3-01-000 |
| Differential pressure indicator | DP2-02-001 |
| Auto drain, 1/8 NPT | GRP-95-981 |
| Drain plate kit, 1/2 NPT tapped drain port | GRP-95-393 |
| Element, 5 micron (35F) | FRP-95-505 |
| Element, 5 micron (43F) | FRP-95-508 |
| Manual drain kit with 1/2" drain plate | GRP-95-392 |

35F Particulate Filter



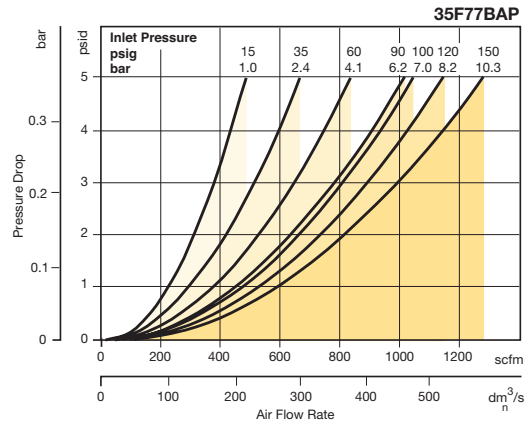
43F Particulate Filter



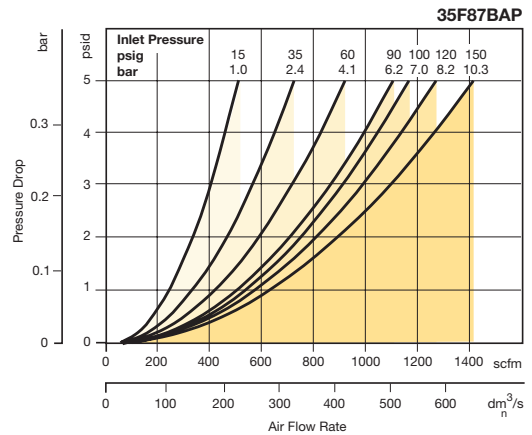
Inches (mm)

Flow Charts

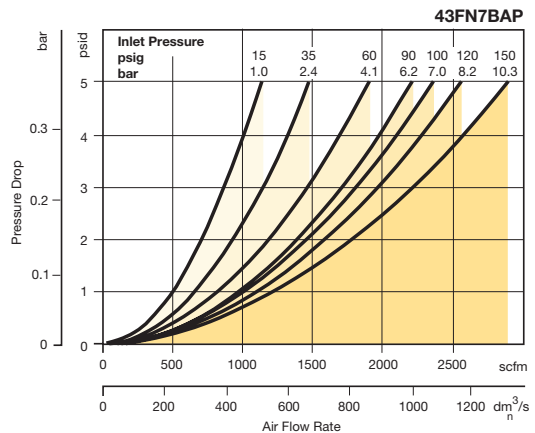
35F, 1-1/2" Particulate Filter



35F, 2" Particulate Filter



43F, 3" Particulate Filter

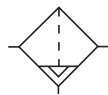


For inventory, lead times, and kit lookup, visit www.pdnplu.com

35F / 43F Coalescing Filters – Hi-Flow

- Heavy-duty cast aluminum housings to withstand operating pressures up to 250 psig*
- Differential pressure indicator to eliminate the guesswork of element replacement
- Differential pressure gauge available, order separately, kit DP3-01-000
- Unique drain mounting plate design offers a trouble-free method for interchanging and installing external drains
- High-flow filter elements: coalescing, 1 micron and 0.01 micron
- 1-1/2", 2", 3" ports (NPT, BSPP, BSPT)

* Without Differential Pressure Indicator – Max. supply pressure is 250 psig (20.1 bar).



Auto Drain

| Port Size | Description | Part Number |
|-----------|--------------------------|-----------------|
| 1-1/2" | 0.01 micron / Auto Float | 35F77EAP |
| 1-1/2" | 1.0 micron / Auto Float | 35F77HAP |
| 2" | 0.01 micron / Auto Float | 35F87EAP |
| 2" | 1.0 micron / Auto Float | 35F87HAP |
| 3" | 0.01 micron / Auto Float | 43FN7EAP |
| 3" | 1.0 micron / Auto Float | 43FN7HAP |

Operating information

| | |
|----------------------------------|--|
| Supply pressure (max): | |
| With pressure gauge without DPI* | 250 psig (17.2 bar) |
| with DPI | 150 psig (10.3 bar) |
| Operating temperature: | 32°F to 150°F (0°C to 65.6°C) |
| Flow capacity†: | |
| High flow | (35F) 1-1/2" 710 scfm (335 dm ³ /s, ANR) (35F) 2" 710 scfm (335 dm ³ /s, ANR) (43F) 3" 1770 scfm (835 dm ³ /s, ANR) |
| Bowl capacity: | 35F 13.9 oz. 43F 17.2 oz. |
| Standard Filtration: | 0.01 & 1 micron |
| Weight: | 35F 19.3 lb (8.7 kg) 43F 32.8 lb (14.9 kg) |

† scfm = Standard cubic feet per minute at 90 psig inlet and 5 psig pressure drop.
* Filtration temperature of 70°F (21°C) @ 100 psig (6.9 bar) with typical compressor lubricating oil and protected by 0.01 micron filter.

Ordering Information:

| 35F | 7 | 7 | H | A | P | | | | | | | | | | | | | | | | | | | | | | | | | | | | |
|--|---|-----------|----------|---|----------|--------------|-------------------|--------------|---|--|----|--------------------------------------|--|---|---|--|--|---------|--|-------------|---|----------|---|--|--|--------------|--|-------|-----|---|------|---|------|
| <table border="1"> <thead> <tr><th colspan="2">Port Size</th></tr> </thead> <tbody> <tr><td>1-1/2 inch (35F)</td><td>7</td></tr> <tr><td>2 inch (35F)</td><td>8</td></tr> <tr><td>3 inch (43F)</td><td>N</td></tr> </tbody> </table> | | Port Size | | 1-1/2 inch (35F) | 7 | 2 inch (35F) | 8 | 3 inch (43F) | N | <table border="1"> <thead> <tr><th colspan="2">Bowl</th></tr> </thead> <tbody> <tr><td>Metal without Sight Gauge, Auto Float Drain</td><td>7</td></tr> </tbody> </table> | | Bowl | | Metal without Sight Gauge, Auto Float Drain | 7 | <table border="1"> <thead> <tr><th colspan="2">Element</th></tr> </thead> <tbody> <tr><td>0.01 Micron</td><td>E</td></tr> <tr><td>1 Micron</td><td>H</td></tr> </tbody> </table> | | Element | | 0.01 Micron | E | 1 Micron | H | <table border="1"> <thead> <tr><th colspan="2">Port Threads</th></tr> </thead> <tbody> <tr><td>Blank</td><td>NPT</td></tr> <tr><td>1</td><td>BSPP</td></tr> <tr><td>2</td><td>BSPT</td></tr> </tbody> </table> | | Port Threads | | Blank | NPT | 1 | BSPP | 2 | BSPT |
| Port Size | | | | | | | | | | | | | | | | | | | | | | | | | | | | | | | | | |
| 1-1/2 inch (35F) | 7 | | | | | | | | | | | | | | | | | | | | | | | | | | | | | | | | |
| 2 inch (35F) | 8 | | | | | | | | | | | | | | | | | | | | | | | | | | | | | | | | |
| 3 inch (43F) | N | | | | | | | | | | | | | | | | | | | | | | | | | | | | | | | | |
| Bowl | | | | | | | | | | | | | | | | | | | | | | | | | | | | | | | | | |
| Metal without Sight Gauge, Auto Float Drain | 7 | | | | | | | | | | | | | | | | | | | | | | | | | | | | | | | | |
| Element | | | | | | | | | | | | | | | | | | | | | | | | | | | | | | | | | |
| 0.01 Micron | E | | | | | | | | | | | | | | | | | | | | | | | | | | | | | | | | |
| 1 Micron | H | | | | | | | | | | | | | | | | | | | | | | | | | | | | | | | | |
| Port Threads | | | | | | | | | | | | | | | | | | | | | | | | | | | | | | | | | |
| Blank | NPT | | | | | | | | | | | | | | | | | | | | | | | | | | | | | | | | |
| 1 | BSPP | | | | | | | | | | | | | | | | | | | | | | | | | | | | | | | | |
| 2 | BSPT | | | | | | | | | | | | | | | | | | | | | | | | | | | | | | | | |
| | | | | <table border="1"> <thead> <tr><th colspan="2">Options</th></tr> </thead> <tbody> <tr><td>N</td><td>Without Differential Pressure Indicator</td></tr> <tr><td>P*</td><td>With Differential Pressure Indicator</td></tr> </tbody> </table> | | | Options | | N | Without Differential Pressure Indicator | P* | With Differential Pressure Indicator | | | | | | | | | | | | | | | | | | | | | |
| Options | | | | | | | | | | | | | | | | | | | | | | | | | | | | | | | | | |
| N | Without Differential Pressure Indicator | | | | | | | | | | | | | | | | | | | | | | | | | | | | | | | | |
| P* | With Differential Pressure Indicator | | | | | | | | | | | | | | | | | | | | | | | | | | | | | | | | |
| | | | | <table border="1"> <thead> <tr><th colspan="2">Engineering Level</th></tr> </thead> <tbody> <tr><td>A</td><td>Current</td></tr> </tbody> </table> | | | Engineering Level | | A | Current | | | | | | | | | | | | | | | | | | | | | | | |
| Engineering Level | | | | | | | | | | | | | | | | | | | | | | | | | | | | | | | | | |
| A | Current | | | | | | | | | | | | | | | | | | | | | | | | | | | | | | | | |

* Maximum pressure rating 150 psig.

Most popular.



For inventory, lead times, and kit lookup, visit www.pdnplu.com

Hi-Flow Coalescing Filters

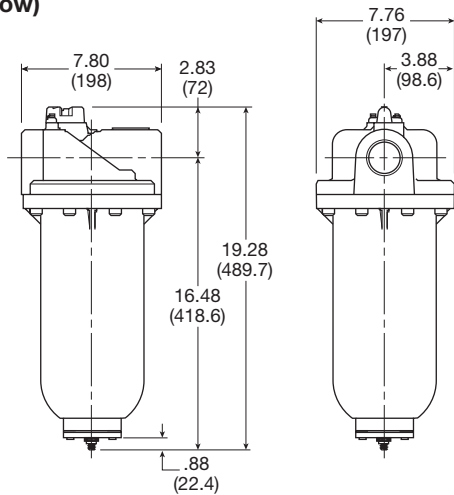
Material Specifications

| | |
|----------------|--------------------|
| Body | Aluminum |
| Bowls | Aluminum |
| Filter element | Borosilicate cloth |
| Seals | Fluorocarbon |
| Stud | Plated steel |

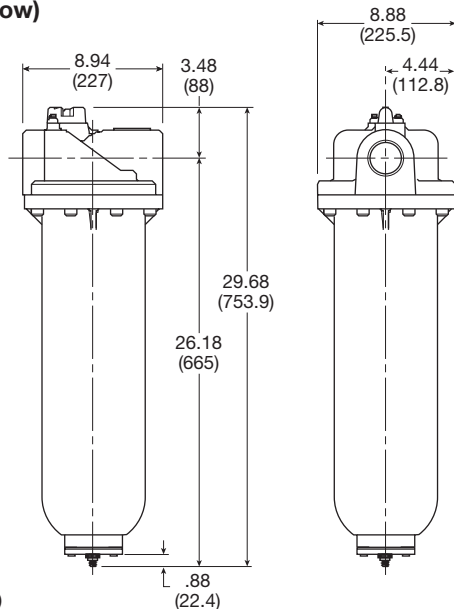
Repair and Service Kits

| | |
|---|-------------------|
| Differential pressure indicator cap – for pressures over 150 psig | GRP-95-022 |
| Differential pressure indicator | DP2-02-001 |
| Drain, automatic, internal, fluorocarbon, 1/8 NPT | GRP-95-981 |
| Drain plate kit, 1/2 NPT tapped drain port | GRP-95-393 |
| 35F: 0.01 Micron element | MTP-95-502 |
| 35F: 1.0 Micron element | MSP-95-502 |
| 43F: 0.01 Micron element | MTP-95-562 |
| 43F: 1.0 Micron element | MSP-95-876 |
| Manual drain kit with 1/2" drain plate | GRP-95-392 |

35F (Hi-Flow)



43F (Hi-Flow)

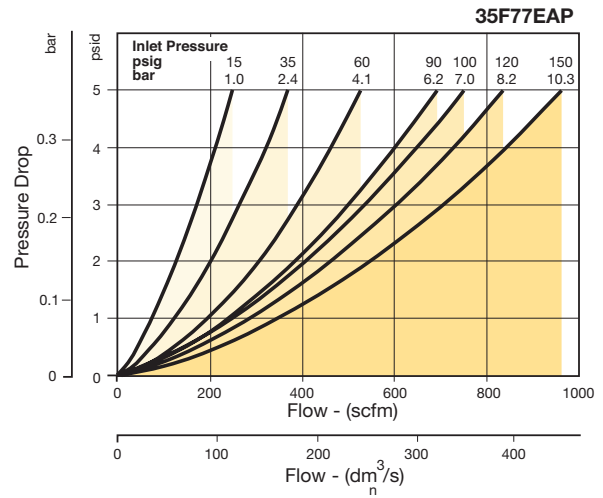


Inches (mm)

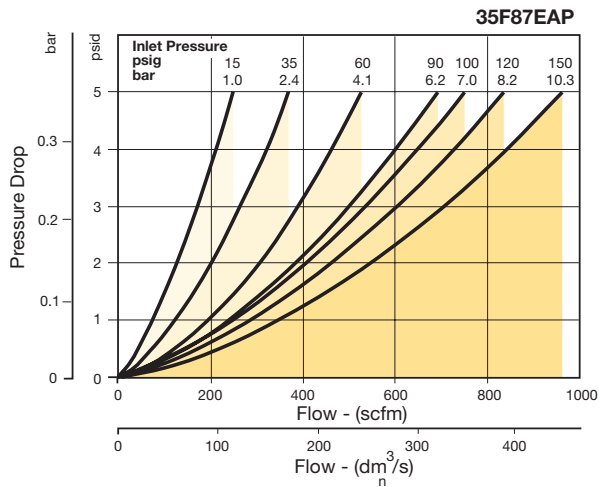
Air Preparation Products General Industrial

Flow Charts

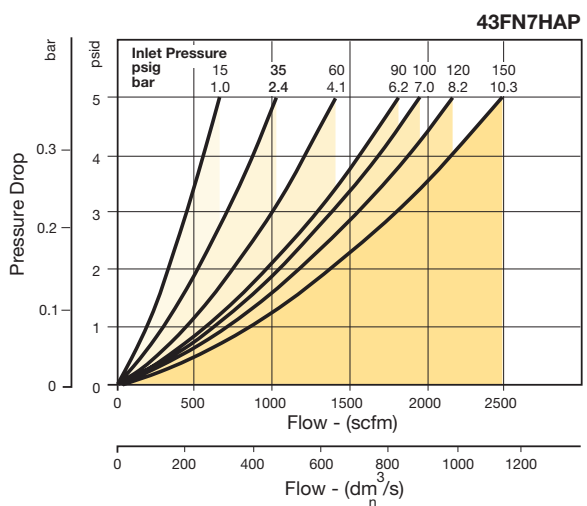
35F 1-1/2" Coalescing Filters



35F 2" Coalescing Filters



43F 3" Coalescing Filters



For inventory, lead times, and kit lookup, visit www.pdnplu.com

H11

Parker Hannifin Corporation
Pneumatic Division
Richland, Michigan
www.parker.com/pneumatics

General Industrial
Products

H

Filters

Coalescers

Regulators

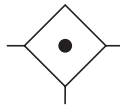
Lubricators

Combinations

F701 Coalescing Filters – Hi-Flow

- Removes liquid aerosols and sub-micron particles.
- Protects pneumatic systems from contamination that standard particulate filters will not catch.
- Two different grade elements available.
- Differential pressure indicator (pop-up) standard.
- Differential pressure gauge optional.
- High flow design
- 3/4", 1" ports (NPT, BSPP)

Note: All coalescing filters should be protected by a particulate filter (i.e., F602, or other) installed upstream.



| Port Size | Description | Part Number |
|-----------|--------------------------------------|-------------------|
| 3/4" | 32 oz. Metal Bowl, Grade 6 Element | F701-06E3P |
| 3/4" | 100 oz. Metal Bowl, Grade 6 Element | F701-06L3P |
| 3/4" | 32 oz. Metal Bowl, Grade 10 Element | F701-06E7P |
| 3/4" | 100 oz. Metal Bowl, Grade 10 Element | F701-06L7P |
| 1" | 32 oz. Metal Bowl, Grade 6 Element | F701-08E3P |
| 1" | 100 oz. Metal Bowl, Grade 6 Element | F701-08L3P |
| 1" | 32 oz. Metal Bowl, Grade 10 Element | F701-08E7P |
| 1" | 100 oz. Metal Bowl, Grade 10 Element | F701-08L7P |

Operating information

| | | |
|--|---------|--|
| Supply pressure (max): | | |
| Manual drains | | 0 to 300 psig (0 to 20.7 bar) |
| Auto drains | | |
| "R" low pressure internal | | 175 psig (12.0 bar) |
| "T" High pressure internal | | 250 psig (17.2 bar) |
| "Q" external | | 250 psig (17.2 bar) |
| Operating pressure drop: | | |
| Normal | Dry | 2 psig (0.14 bar) |
| | Wet | 5 psig (0.34 bar) |
| Max recommended (Element should be replaced) | | 10 psig (0.7 bar) |
| Minimum recommended flow: | | 20% nominal rating of element |
| Operating temperature (max): | | 32°F to 150°F (0°C to 65°C) |
| "R", "T", "Q" drains | | 125°F (52°C) |
| Flow capacity†: | | |
| Grade 6 | 32 oz* | 95 scfm (44.8 dm ³ /s, ANR) |
| (0.01 micron) | 100 oz* | 170 scfm (80 dm ³ /s, ANR) |
| Grade 10 | 32 oz* | 158 scfm (75 dm ³ /s, ANR) |
| (1.0 micron) | 100 oz* | 285 scfm (135 dm ³ /s, ANR) |
| Weight: | | |
| | 32 oz | 5.0 lb (2.3 kg) |
| | 100 oz | 8.0 lb (3.6 kg) |

† scfm = Standard cubic feet per minute at 90 psig inlet and 5 psig pressure drop.
* Dry media flow, for wet media flow information see table on next page.

Ordering Information:

| | | | | | |
|--|-----------------------------------|----------------------------|----------|----------|------------|
| F701 | - | 06 | W | 3 | /** |
| Port Threads | Engineering Level | | | | |
| NPT | ** | Will Be Entered at Factory | | | |
| G BSPP | G | | | | |
| Port Size | | | | | |
| 3/4 inch | 06 | | | | |
| 1 inch | 08 | | | | |
| Bowl | | | | | |
| 32 oz. Metal without Sight Gauge | E | | | | |
| 100 oz. Metal without Sight Gauge | L | | | | |
| Drains and Options | | | | | |
| Blank | Manual Twist Drain | | | | |
| T | High Pressure Internal Auto Drain | | | | |
| Q* | External Auto Drain | | | | |
| R | Low Pressure Internal Auto Drain | | | | |
| * Q option not available with bowl option L. | | | | | |
| Element | | | | | |
| 3 | Grade 6 | | | | |
| 7 | Grade 10 | | | | |

Most popular.



For inventory, lead times, and kit lookup, visit www.pdnplu.com

Hi-Flow Coalescing Filters

Material Specifications

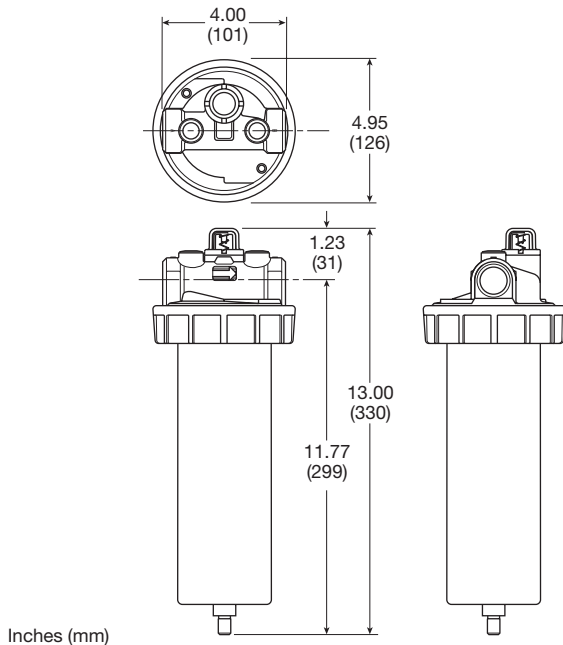
| | |
|---|----------------------------|
| Body & flange ring | Zinc |
| Metal bowl (E) (L) | Aluminum |
| Auto float drain, housing "R", "T" (internal) | Acetal |
| Auto float drain, housing "Q" (external) | Bronze |
| Auto float drain, manual twist drain | Brass |
| Seals & float | Buna N |
| Springs | Stainless steel |
| Element (media) | Borosilicate fibers & felt |
| Element end caps | Urethane |
| Seals | Buna N |

Repair and Service Kits

| | |
|---|---------------------|
| Bracket - 3/4 (pair of pipe mounted brackets) | SA200AW57 |
| Bracket - 1 (pair of pipe mounted brackets) | SA200CW57 |
| 32 oz bowl kit - 3/4, 1 inch (E) | BK603B |
| 32 oz bowl kit - 3/4, 1 inch (L) 100 oz. | BK603C |
| Differential pressure pop up Indicator repair kit (only works with originally equipped units) | RK701P |
| Differential pressure gauge (only works on units without pop-up indicator) | DP276-P |
| Internal automatic drain kit, high pressure (T) | SA702MD |
| Manual twist drain kit | SA600Y7-1 |
| Grade 6 element - 3/4, 1 Inch (E) 32 oz. | F701-C3-0773 |
| Grade 6 element - 3/4, 1 Inch (L) 100 oz. | F701-C3-0774 |
| Grade 10 element - 3/4, 1 Inch (E) 32 oz. | F701-C7-0773 |
| Grade 10 element - 3/4, 1 Inch (L) 100 oz. | F701-C7-0774 |

() = Bowl Type

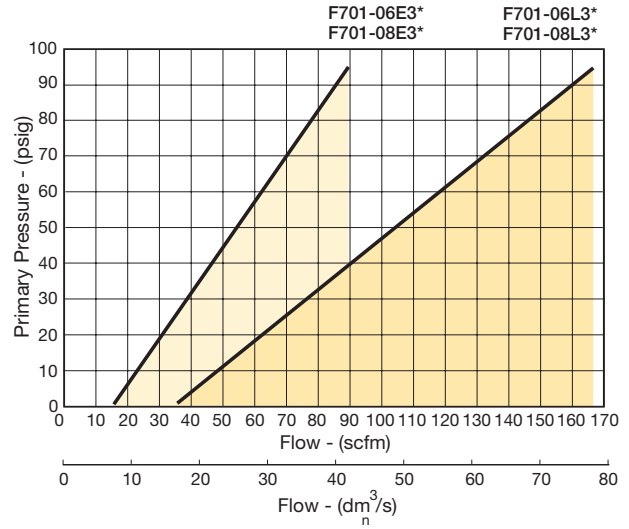
F701 - 32 oz. bowl (Hi-Flow)



Air Preparation Products General Industrial

Flow Charts

F701 3/4" & 1" Coalescing Filter



Media Specifications

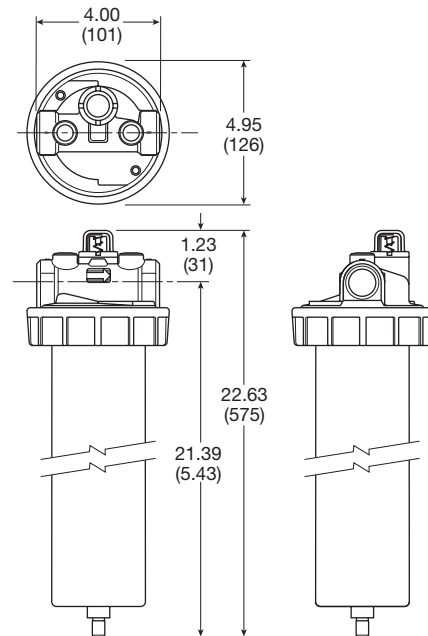
| Grade | D.O.P. Coalescing efficiency 0.3 to 0.6 micron particles | Maximum oil carryover ¹ PPM w/w | Pressure drop (PSID) ² @ rated flow | |
|-------|---|--|---|---------------------------------|
| | | | Media dry | Media Wet with 10-20 wt. oil |
| 6 | 99.97% | 0.008 | 1.0 | 2-3 |
| 10 | 95% | 0.85 | 0.5 | 0.5 |

¹ Tested per BCAS 860900 at 40 ppm inlet.

² Add dry + wet for total pressure drop.

D.O.P. = Dioctylphthalate

F701 - 100 oz. bowl (Hi-Flow)



For inventory, lead times, and kit lookup, visit www.pdnplu.com

P3TF Flanged Coalescing Filters

P3TF Series Flanged Coalescing Filters

- No tie rod element design
- Pleated element technology
- New high efficiency drainage layer
- Designed in accordance with ASME and CRN
- Connection sizes: 4" & 6" flange
- Acrylic polyurethane coating for corrosion protection
- Float drain is standard, shipped loose
- DP gauge is standard, installed



| Port Size | Element Type | Number Of Elements | Part Number |
|-----------|--------------|--------------------|--------------------|
| 4" | 0.01 micron | 4 | P3TFAFFD2AN |
| 4" | 1.0 micron | 4 | P3TFAFFQ2AN |
| 6" | 0.01 micron | 6 | P3TFAFGD3AN |
| 6" | 1.0 micron | 6 | P3TFAFGQ3AN |

Operating information

| | |
|--|---|
| Supply pressure (max): | 232 psig (16 bar) |
| Operating temperature: | 35°F to 212°F (1.5°C to 100°C) |
| Flow capacity†: | 4" 2119 scfm (1000 dm ³ /s, ANR) |
| | 6" 4132 scfm (1950 dm ³ /s, ANR) |
| Standard Filtration: | 0.01 & 1 micron |
| † scfm = Standard cubic feet per minute at 90 psig inlet and 5 psig pressure drop. | |

Material Specifications

| | |
|-----------|--------------------|
| Body | Steel |
| Baffle | Plated steel |
| Deflector | Plated steel |
| Element | Borosilicate cloth |
| Seals | Fluorocarbon |
| Stud | Plated steel |

Repair and Service Kits

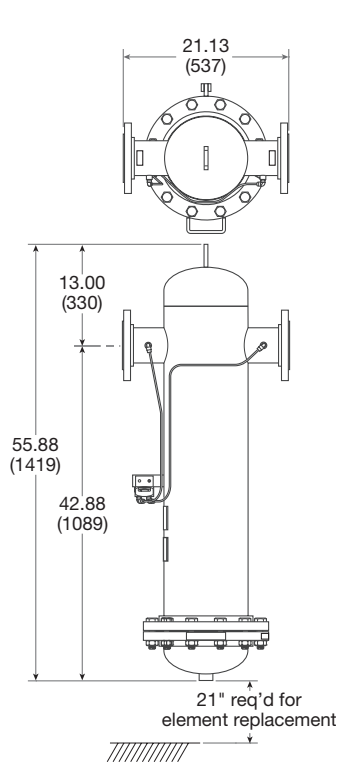
| | |
|---------------------------------------|----------------------|
| DP gauge replacement kit | DPG-Kit |
| Float drain kit - 1/2" NPT | HDF-120-NPT-A |
| 0.01 Micron element (4 or 6 required) | 060AA |
| 1.0 Micron element (4 or 6 required) | 060AO |

Most popular.

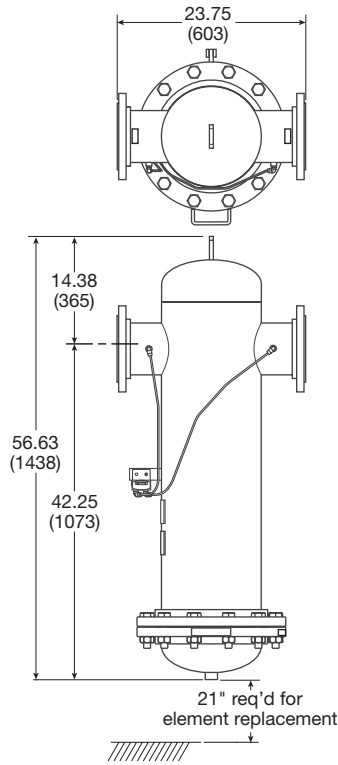


For inventory, lead times, and kit lookup, visit www.pdnplu.com

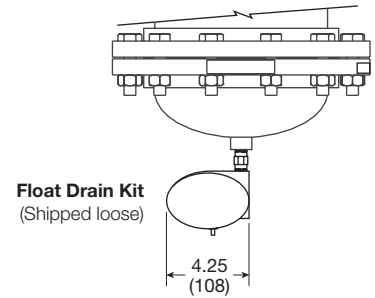
P3TF Flanged Coalescing Filters



P3TFAFFD2AN & P3TFAFFQ2AN



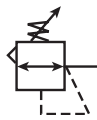
P3TFAFGD3AN & P3TFAFGQ3AN



For inventory, lead times, and kit lookup, visit www.pdnplu.com

R119 Regulators – Standard

- High flow performance featuring rugged design for the most demanding applications
- Ideal for those installations calling for constant pressure with wide variation in flow
- Diaphragm operated design with balanced poppet design for quick and accurate regulation
- Secondary aspiration plus balanced poppet provides quick response and accurate pressure regulation
- Heavy duty tee handle adjustment
- Reverse flow version available
- Panel mount version available
- 1/4", 3/8", 1/2" ports (NPT, BSPP)



| Port Size | Description (0-125 psig reduced pressure) | Part Number |
|-----------|---|------------------|
| 1/4" | Without Gauge, Relieving, NPT | R119-02C |
| 1/4" | With Gauge, Relieving, NPT | R119-02CG |
| 3/8" | Without Gauge, Relieving, NPT | R119-03C |
| 3/8" | With Gauge, Relieving, NPT | R119-03CG |
| 1/2" | Without Gauge, Relieving, NPT | R119-04C |
| 1/2" | With Gauge, Relieving, NPT | R119-04CG |

Operating information

| | | |
|-------------------------|---------------------------------|----------------------------|
| Supply pressure (max): | 300 psig (0 to 20.7 bar) | |
| Reduced pressure range: | 2 to 125 psig (0.15 to 8.5 bar) | |
| Operating temperature: | 40°F to 125°F (4.4°C to 52°C) | |
| Flow capacity†: | | |
| High flow | 1/4" | 100 scfm (47.2 dm³/s, ANR) |
| | 3/8" | 110 scfm (51.9 dm³/s, ANR) |
| | 1/2" | 150 scfm (70.8 dm³/s, ANR) |
| Gauge ports (2): | 1/4 inch | |
| Weight: | 1/4" | 1.8 lb (0.82 kg) |
| | 3/8" | 1.8 lb (0.82 kg) |
| | 1/2" | 3.2 lb (1.45 kg) |

† scfm = Standard cubic feet per minute at 100 psig inlet, 75 psig no flow secondary setting and 20 psig pressure drop.

Ordering Information:

| R119 | - | 02 | C | | /** | | | | | | | | | | | | | | | | | | | | | | | | |
|--|------------------------------------|--------------|------------------------|-----|------------|--------|-----------|--|------------|-----------|------------|----------|---|----------|----|----------|----|---|------|-------------------|-------|-----|----------------------------|-------|------------------------------------|------|--------------|----|-------------------|
| <table border="1"> <thead> <tr> <th colspan="2">Port Threads</th> </tr> </thead> <tbody> <tr> <td>NPT</td> <td>-</td> </tr> <tr> <td>G BSPP</td> <td>G</td> </tr> </tbody> </table> | | Port Threads | | NPT | - | G BSPP | G | <table border="1"> <thead> <tr> <th colspan="2">Port Size</th> </tr> </thead> <tbody> <tr> <td>1/4 inch</td> <td>02</td> </tr> <tr> <td>3/8 inch</td> <td>03</td> </tr> <tr> <td>1/2 inch</td> <td>04</td> </tr> </tbody> </table> | | Port Size | | 1/4 inch | 02 | 3/8 inch | 03 | 1/2 inch | 04 | <table border="1"> <thead> <tr> <th colspan="2">Engineering Level</th> </tr> </thead> <tbody> <tr> <td>/**</td> <td>Will Be Entered at Factory</td> </tr> </tbody> </table> | | Engineering Level | | /** | Will Be Entered at Factory | | | | | | |
| Port Threads | | | | | | | | | | | | | | | | | | | | | | | | | | | | | |
| NPT | - | | | | | | | | | | | | | | | | | | | | | | | | | | | | |
| G BSPP | G | | | | | | | | | | | | | | | | | | | | | | | | | | | | |
| Port Size | | | | | | | | | | | | | | | | | | | | | | | | | | | | | |
| 1/4 inch | 02 | | | | | | | | | | | | | | | | | | | | | | | | | | | | |
| 3/8 inch | 03 | | | | | | | | | | | | | | | | | | | | | | | | | | | | |
| 1/2 inch | 04 | | | | | | | | | | | | | | | | | | | | | | | | | | | | |
| Engineering Level | | | | | | | | | | | | | | | | | | | | | | | | | | | | | |
| /** | Will Be Entered at Factory | | | | | | | | | | | | | | | | | | | | | | | | | | | | |
| <table border="1"> <thead> <tr> <th colspan="2">Reduced Pressure Range</th> </tr> </thead> <tbody> <tr> <td>0-25 psig</td> <td>A</td> </tr> <tr> <td>0-60 psig</td> <td>B</td> </tr> <tr> <td>0-125 psig</td> <td>C</td> </tr> <tr> <td>0-250 psig</td> <td>D</td> </tr> </tbody> </table> | | | Reduced Pressure Range | | 0-25 psig | A | 0-60 psig | B | 0-125 psig | C | 0-250 psig | D | <table border="1"> <thead> <tr> <th colspan="2">Options</th> </tr> </thead> <tbody> <tr> <td>Blank</td> <td>None</td> </tr> <tr> <td>G</td> <td>Gauge</td> </tr> <tr> <td>K†</td> <td>Non-Relieving</td> </tr> <tr> <td>X64**</td> <td>Fluorocarbon O-Rings and Diaphragm</td> </tr> <tr> <td>X80*</td> <td>Reverse Flow</td> </tr> <tr> <td>X7</td> <td>Brass Bottom Plug</td> </tr> </tbody> </table> | | | Options | | Blank | None | G | Gauge | K† | Non-Relieving | X64** | Fluorocarbon O-Rings and Diaphragm | X80* | Reverse Flow | X7 | Brass Bottom Plug |
| Reduced Pressure Range | | | | | | | | | | | | | | | | | | | | | | | | | | | | | |
| 0-25 psig | A | | | | | | | | | | | | | | | | | | | | | | | | | | | | |
| 0-60 psig | B | | | | | | | | | | | | | | | | | | | | | | | | | | | | |
| 0-125 psig | C | | | | | | | | | | | | | | | | | | | | | | | | | | | | |
| 0-250 psig | D | | | | | | | | | | | | | | | | | | | | | | | | | | | | |
| Options | | | | | | | | | | | | | | | | | | | | | | | | | | | | | |
| Blank | None | | | | | | | | | | | | | | | | | | | | | | | | | | | | |
| G | Gauge | | | | | | | | | | | | | | | | | | | | | | | | | | | | |
| K† | Non-Relieving | | | | | | | | | | | | | | | | | | | | | | | | | | | | |
| X64** | Fluorocarbon O-Rings and Diaphragm | | | | | | | | | | | | | | | | | | | | | | | | | | | | |
| X80* | Reverse Flow | | | | | | | | | | | | | | | | | | | | | | | | | | | | |
| X7 | Brass Bottom Plug | | | | | | | | | | | | | | | | | | | | | | | | | | | | |
| <p>* Reverse flow for use downstream of control valves. ** Brass bottom plug standard with X64 option. † Not available with 250 psig spring.</p> | | | | | | | | | | | | | | | | | | | | | | | | | | | | | |

Most popular.



For inventory, lead times, and kit lookup, visit www.pdnplu.com

Material Specifications

| | |
|--------------------------|--------|
| Adjusting screw, springs | Steel |
| Body, spring cage | Zinc |
| Bottom plug | Nylon |
| Innervalve | Brass |
| Seals | Buna N |

Repair and Service Kits

| | |
|---|---------------------|
| 2" dial face 60 psig (0 to 4.1 bar), gauge | K4520N14060 |
| 2" dial face 160 psig (0 to 11.0 bar), gauge | K4520N14160 |
| 2" dial face 300 psig (0 to 20.7 bar), gauge | K4520N14300 |
| 1-3/4" digital round face 160 psig (0 to 11.0 bar), gauge | K4517N14160D |
| Mounting bracket, 1/4", 3/8" | SA15Y57 |
| Mounting bracket, 1/2" | 18A57 |
| Panel mount conversion kit, 1/4", 3/8" | 4202 |
| Panel mount conversion kit, 1/2" | 4204 |
| Non-relieving diaphragm, valve assembly (1/4", 3/8"; all psig) | RK118Y |
| Relieving diaphragm, valve assembly (1/4", 3/8"; all psig) | RK119Y |
| Non-Relieving diaphragm, valve assembly (1/2"; 25, 60, 125 psig) | RK118A |
| Relieving diaphragm, valve assembly (1/2"; 25, 60, 125 psig) | RK119A |
| Relieving diaphragm, valve assembly (1/2"; 250 psig) | RK119A250 |
| Spring cage & T-handle kit (1/4 & 3/8) | RKC119Y |
| Spring cage & insert only kit (1/2) | SAC18A3/BK |

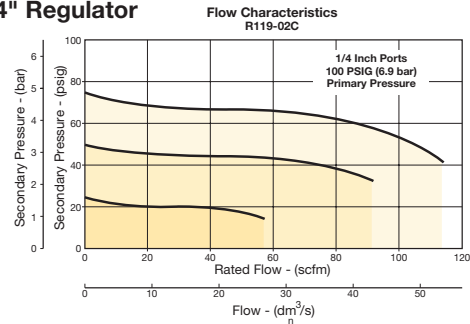
For fluorocarbon repair kits, add X64 to kit number suffix.

CAUTION:

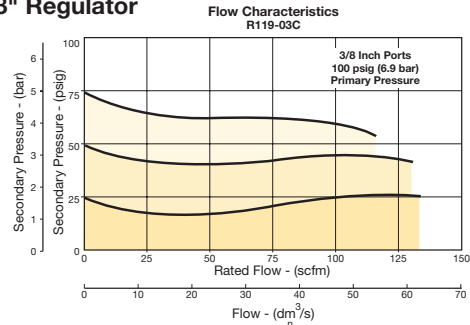
REGULATOR PRESSURE ADJUSTMENT – The working range of knob adjustment is designed to permit outlet pressures within their full range. Pressure adjustment beyond this range is also possible because the knob is not a limiting device. This is a common characteristic of most industrial regulators, and limiting devices may be obtained only by special design. For best performance, regulated pressure should always be set by increasing the pressure up to the desired setting.

Flow Charts

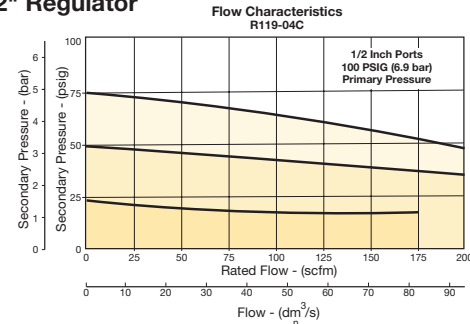
R119 1/4" Regulator



R119 3/8" Regulator

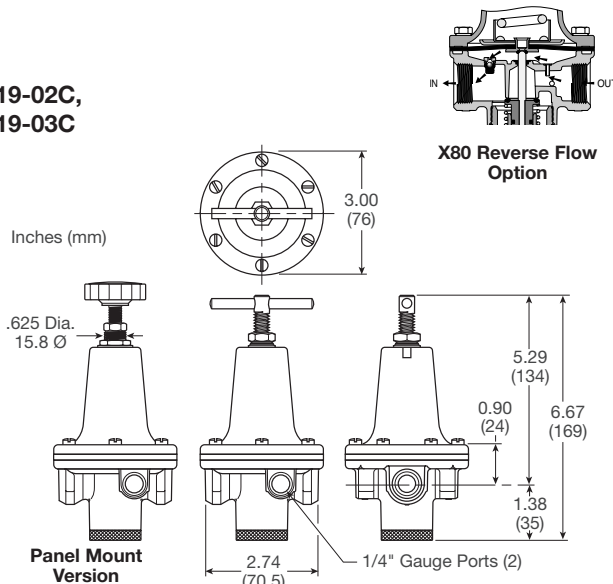


R119 1/2" Regulator

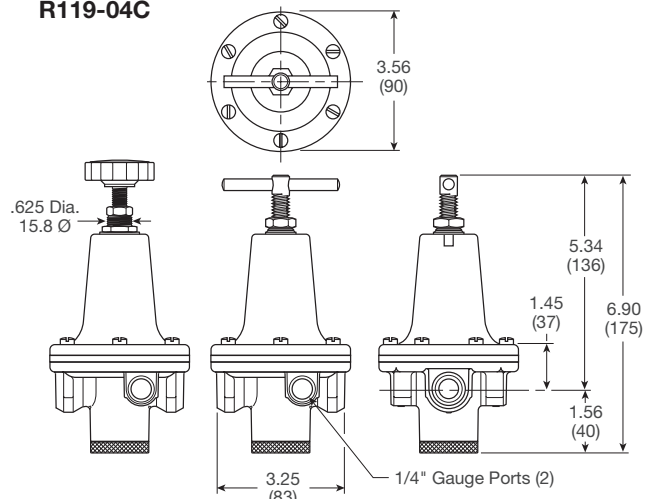


WARNING
 Product rupture can cause serious injury.
 Do not connect regulator to bottled gas.
 Do not exceed Maximum primary pressure rating.

**R119-02C,
 R119-03C**



R119-04C

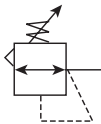


For inventory, lead times, and kit lookup, visit www.pdnplu.com

Hi-Flow Regulators

R119 Regulators – Hi-Flow

- High flow performance featuring rugged design for the most demanding applications
- Ideal for those installations calling for constant pressure with wide variation in flow
- Diaphragm operated design with balanced poppet design for quick and accurate regulation
- Secondary aspiration plus balanced poppet provides quick response and accurate pressure regulation
- Heavy duty tee handle adjustment
- Reverse flow version available
- 3/4", 1", 1-1/2" ports (NPT, BSPP)



| Port Size | Description (0-125 psig reduced pressure) | Part Number |
|-----------|---|------------------|
| 3/4" | Without Gauge, Relieving, NPT | R119-06C |
| 3/4" | With Gauge, Relieving, NPT | R119-06CG |
| 1" | Without Gauge, Relieving, NPT | R119-08C |
| 1" | With Gauge, Relieving, NPT | R119-08CG |
| 1-1/2" | Without Gauge, Relieving, NPT | R119-12C |
| 1-1/2" | With Gauge, Relieving, NPT | R119-12CG |

Operating information

| | | |
|-------------------------|---------------------------------|--|
| Supply pressure (max): | 300 psig (0 to 20.7 bar) | |
| Reduced pressure range: | 2 to 125 psig (0.15 to 8.5 bar) | |
| Operating temperature: | 40°F to 125°F (4.4°C to 52°C) | |
| Flow capacity†: | | |
| High flow | 3/4" | 300 scfm (141.6 dm ³ /s, ANR) |
| | 1" | 400 scfm (188.8 dm ³ /s, ANR) |
| | 1-1/2" | 500 scfm (236 dm ³ /s, ANR) |
| Gauge ports (2): | 1/4 inch | |
| Weight: | 3/4" | 6.2 lb (2.81 kg) |
| | 1" | 6.2 lb (2.81 kg) |
| | 1-1/2" | 7.2 lb (3.27 kg) |

† scfm = Standard cubic feet per minute at 100 psig inlet, 75 psig no flow secondary setting and 20 psig pressure drop.

Ordering Information:

| R119 | - | 06 | C | | /** | | | | | | | | | | | | | | | | | | | | | | | | | | |
|--|------------------------------------|--------------|----------|-----|------------|---------|---|--|------|-----------|-------|----------|---------------|--------|------------------------------------|------------|--------------|--|-------------------|------------------------|--|------------|---|------------|---|--|--|-------------------|--|----|----------------------------|
| <table border="1"> <thead> <tr> <th colspan="2">Port Threads</th> </tr> </thead> <tbody> <tr> <td>NPT</td> <td>-</td> </tr> <tr> <td>G BSPP</td> <td>G</td> </tr> </tbody> </table> | | Port Threads | | NPT | - | G BSPP | G | <table border="1"> <thead> <tr> <th colspan="2">Port Size</th> </tr> </thead> <tbody> <tr> <td>3/4 inch</td> <td>06</td> </tr> <tr> <td>1 inch</td> <td>08</td> </tr> <tr> <td>1-1/2 inch</td> <td>12</td> </tr> </tbody> </table> | | Port Size | | 3/4 inch | 06 | 1 inch | 08 | 1-1/2 inch | 12 | <table border="1"> <thead> <tr> <th colspan="2">Reduced Pressure Range</th> </tr> </thead> <tbody> <tr> <td>0-125 psig</td> <td>C</td> </tr> <tr> <td>0-250 psig</td> <td>D</td> </tr> </tbody> </table> | | Reduced Pressure Range | | 0-125 psig | C | 0-250 psig | D | <table border="1"> <thead> <tr> <th colspan="2">Engineering Level</th> </tr> </thead> <tbody> <tr> <td>**</td> <td>Will Be Entered at Factory</td> </tr> </tbody> </table> | | Engineering Level | | ** | Will Be Entered at Factory |
| Port Threads | | | | | | | | | | | | | | | | | | | | | | | | | | | | | | | |
| NPT | - | | | | | | | | | | | | | | | | | | | | | | | | | | | | | | |
| G BSPP | G | | | | | | | | | | | | | | | | | | | | | | | | | | | | | | |
| Port Size | | | | | | | | | | | | | | | | | | | | | | | | | | | | | | | |
| 3/4 inch | 06 | | | | | | | | | | | | | | | | | | | | | | | | | | | | | | |
| 1 inch | 08 | | | | | | | | | | | | | | | | | | | | | | | | | | | | | | |
| 1-1/2 inch | 12 | | | | | | | | | | | | | | | | | | | | | | | | | | | | | | |
| Reduced Pressure Range | | | | | | | | | | | | | | | | | | | | | | | | | | | | | | | |
| 0-125 psig | C | | | | | | | | | | | | | | | | | | | | | | | | | | | | | | |
| 0-250 psig | D | | | | | | | | | | | | | | | | | | | | | | | | | | | | | | |
| Engineering Level | | | | | | | | | | | | | | | | | | | | | | | | | | | | | | | |
| ** | Will Be Entered at Factory | | | | | | | | | | | | | | | | | | | | | | | | | | | | | | |
| <table border="1"> <thead> <tr> <th colspan="2">Options</th> </tr> </thead> <tbody> <tr> <td>Blank</td> <td>None</td> </tr> <tr> <td>G</td> <td>Gauge</td> </tr> <tr> <td>K</td> <td>Non-Relieving</td> </tr> <tr> <td>X64**</td> <td>Fluorocarbon O-Rings and Diaphragm</td> </tr> <tr> <td>X80*</td> <td>Reverse Flow</td> </tr> <tr> <td>X7</td> <td>Brass Bottom Plug</td> </tr> </tbody> </table> | | | | | | Options | | Blank | None | G | Gauge | K | Non-Relieving | X64** | Fluorocarbon O-Rings and Diaphragm | X80* | Reverse Flow | X7 | Brass Bottom Plug | | | | | | | | | | | | |
| Options | | | | | | | | | | | | | | | | | | | | | | | | | | | | | | | |
| Blank | None | | | | | | | | | | | | | | | | | | | | | | | | | | | | | | |
| G | Gauge | | | | | | | | | | | | | | | | | | | | | | | | | | | | | | |
| K | Non-Relieving | | | | | | | | | | | | | | | | | | | | | | | | | | | | | | |
| X64** | Fluorocarbon O-Rings and Diaphragm | | | | | | | | | | | | | | | | | | | | | | | | | | | | | | |
| X80* | Reverse Flow | | | | | | | | | | | | | | | | | | | | | | | | | | | | | | |
| X7 | Brass Bottom Plug | | | | | | | | | | | | | | | | | | | | | | | | | | | | | | |
| <p>* Reverse flow for use downstream of control valves. ** Brass bottom plug standard with X64 option.</p> | | | | | | | | | | | | | | | | | | | | | | | | | | | | | | | |

Most popular.



For inventory, lead times, and kit lookup, visit www.pdnplu.com

Hi-Flow Regulators

Material Specifications

| | |
|--------------------------|--------|
| Adjusting screw, springs | Steel |
| Body, spring cage | Zinc |
| Bottom plug | Nylon |
| Innervalve | Brass |
| Seals | Buna N |

Repair and Service Kits

| | |
|--|---------------------|
| 2" dial face 60 psig (0 to 4.1 bar), gauge | K4520N14060 |
| 2" dial face 160 psig (0 to 11.0 bar), gauge | K4520N14160 |
| 2" dial face 300 psig (0 to 20.7 bar), gauge | K4520N14300 |
| 1-3/4" digital round face 160 psig (0 to 11.0 bar), gauge | K4517N14160D |
| Mounting bracket kit | 18B57 |
| Non-relieving diaphragm, valve assembly (3/4", 1") | RK118B |
| Non-relieving diaphragm, valve assembly (1-1/2") | RK118D |
| Relieving diaphragm, valve assembly (3/4", 1") | RK119B |
| Relieving diaphragm, valve assembly (1-1/2") | RK119D |

For Fluorocarbon Repair Kits, add X64 to kit number suffix.

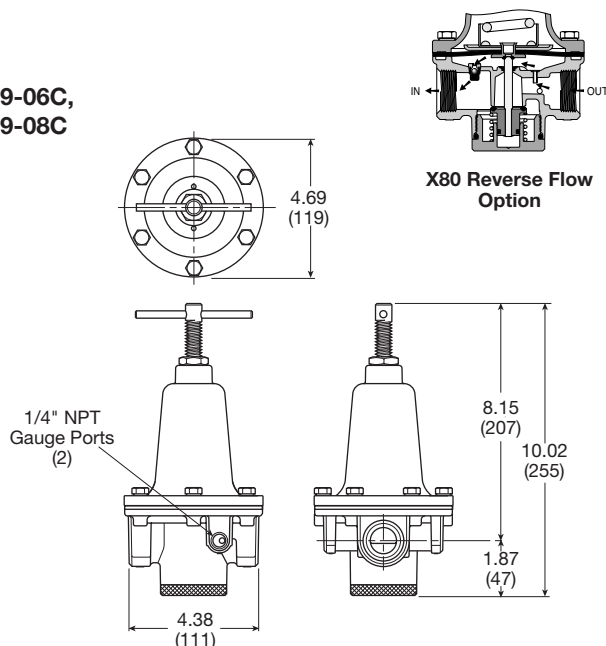
WARNING

**Product rupture can cause serious injury.
Do not connect regulator to bottled gas.
Do not exceed Maximum primary pressure rating.**

CAUTION:

REGULATOR PRESSURE ADJUSTMENT – The working range of knob adjustment is designed to permit outlet pressures within their full range. Pressure adjustment beyond this range is also possible because the knob is not a limiting device. This is a common characteristic of most industrial regulators, and limiting devices may be obtained only by special design. For best performance, regulated pressure should always be set by increasing the pressure up to the desired setting.

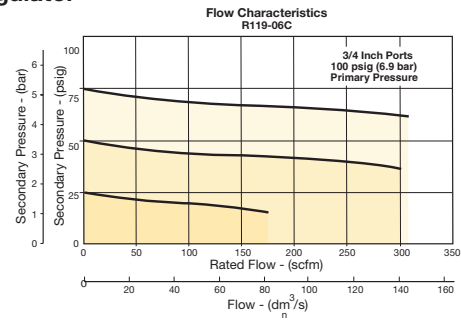
R119-06C, R119-08C



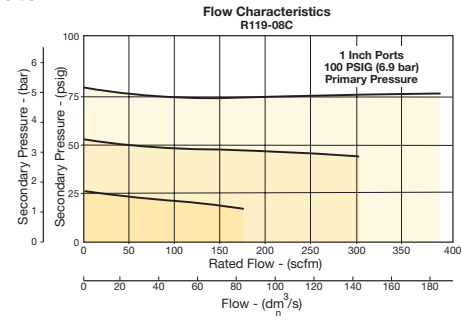
Air Preparation Products General Industrial

Flow Charts

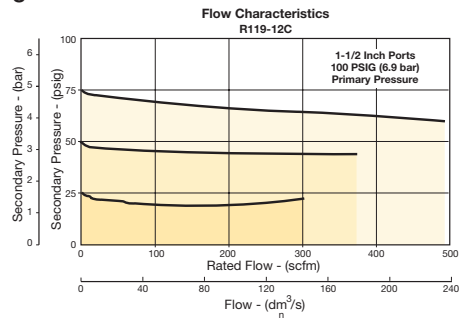
3/4" Regulator



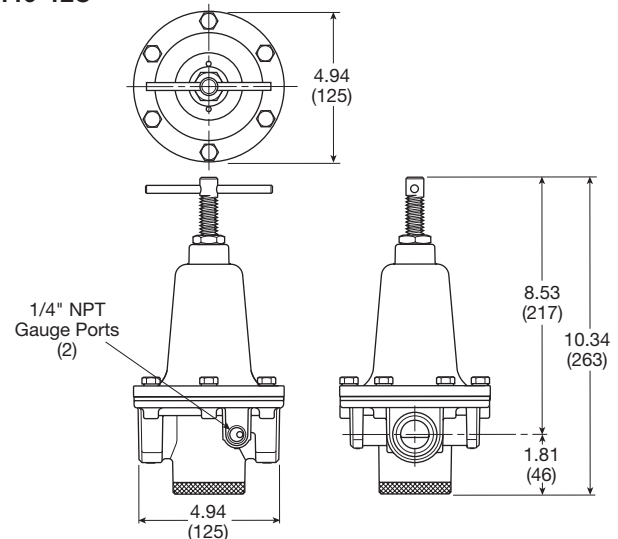
1" Regulator



1-1/2" Regulator



R119-12C



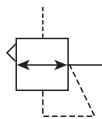
Inches (mm)



For inventory, lead times, and kit lookup, visit www.pdnplu.com

R119 – Pilot Operated Regulators

- Adapted for control by a remote or distant small pilot regulator. Ideal for maximum capacity requirements in applications where units are not readily accessible
- High flow performance featuring rugged design for the most demanding applications
- Ideal for those installations calling for constant pressure with wide variation in flow
- Diaphragm operated design with balanced poppet and constant bleed pilot for quick and accurate regulation.
- Secondary aspiration plus balanced poppet provides quick response and accurate pressure regulation
- Reverse flow available
- 1/4", 3/8", 1/2" ports (NPT, BSPP)



| Port Size | Description (0-125 psig reduced pressure) | Part Number |
|-----------|---|-----------------|
| 1/4" | Without Gauge, Relieving, NPT | R119-02J |
| 3/8" | Without Gauge, Relieving, NPT | R119-03J |
| 1/2" | Without Gauge, Relieving, NPT | R119-04J |

Operating information

| | | |
|-------------------------|--|----------------------------|
| Supply pressure (max): | 300 psig (0 to 20.7 bar) | |
| Air consumption: | Constant bleed from air pilot chamber: approx. 0.17 scfm (10 scfh) | |
| Operating temperature: | 40°F to 125°F (4.4°C to 52°C) | |
| Pilot pressure: | 1/4", 3/8" thread - 1/8" 1/2" thread - 1/4" | |
| Reduced pressure range: | Adjustable to within 5 to 7 psig (0.34 to 0.48 bar) of supply pressure | |
| Flow capacity†: | | |
| High flow | 1/4" | 100 scfm (47.2 dm³/s, ANR) |
| | 3/8" | 110 scfm (51.9 dm³/s, ANR) |
| | 1/2" | 150 scfm (70.8 dm³/s, ANR) |
| Gauge ports (2): | 1/4 inch | |
| Weight: | 1/4" | 1.6 lb (0.73 kg) |
| | 3/8" | 1.6 lb (0.73 kg) |
| | 1/2" | 2.6 lb (1.18 kg) |

† scfm = Standard cubic feet per minute at 100 psig inlet, 75 psig no flow secondary setting and 20 psig pressure drop.

Ordering Information:

| | | | | | |
|---------------------|-------------------------------|-----------|----------|---------------------------------------|---|
| R119 | - | 02 | J | /** | |
| Port Threads | | | | Engineering Level | |
| NPT | - | | | /** Will Be Entered at Factory | |
| BSPP | G | | | | |
| | Port Size | | | Options | |
| | 1/4 inch | 02 | | Blank | None |
| | 3/8 inch | 03 | | K | Non-Relieving |
| | 1/2 inch | 04 | | X64* | Fluorocarbon O-Rings and Diaphragm |
| | | | | X71 | Non-Bleed (for use with electronic controllers) |
| | | | | X7 | Brass Bottom Plug |
| | Reduced Pressure Range | | J | | |
| | Air Pilot Operated | | | | |

* Brass bottom plug standard with X64 option.

Most popular.



For inventory, lead times, and kit lookup, visit www.pdnplu.com

H20

Parker Hannifin Corporation
 Pneumatic Division
 Richland, Michigan
www.parker.com/pneumatics

Material Specifications

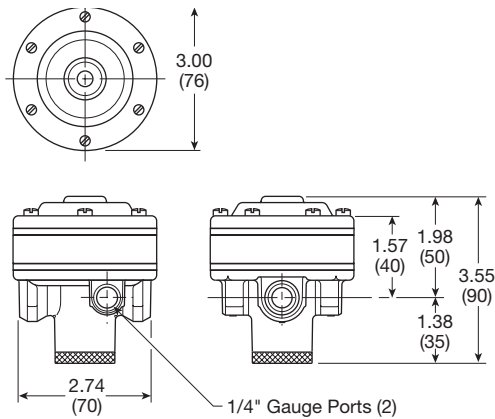
| | |
|-----------------------|--------|
| Body, ring, top plate | Zinc |
| Bottom plug | Nylon |
| Innervalve | Brass |
| Seals | Buna N |

Repair and Service Kits

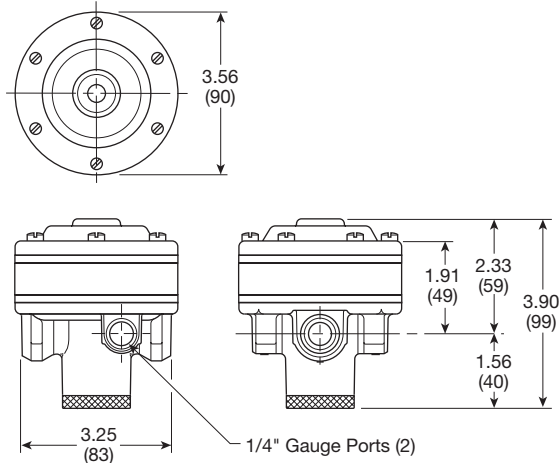
| | |
|--|---------------------|
| 2" dial face 60 psig (0 to 4.1 bar), gauge | K4520N14060 |
| 2" dial face 160 psig (0 to 11.0 bar), gauge | K4520N14160 |
| 2" dial face 300 psig (0 to 20.7 bar), gauge | K4520N14300 |
| 1-3/4" digital round face 160 psig (0 to 11.0 bar), gauge | K4517N14160D |
| Non-relieving diaphragm, valve assembly (1/2") | RK118X20A |
| Non-relieving diaphragm, valve assembly (1/4", 3/8") | RK118X20Y |
| Relieving diaphragm, valve assembly (1/2") | RK119X20A |
| Relieving diaphragm, valve assembly (1/4", 3/8") | RK119X20Y |

For fluorocarbon repair kits, add X64 to kit number suffix.
 For non-bleed pilot repair kits, add X71 to kit number suffix.

R119-02J, R119-03J



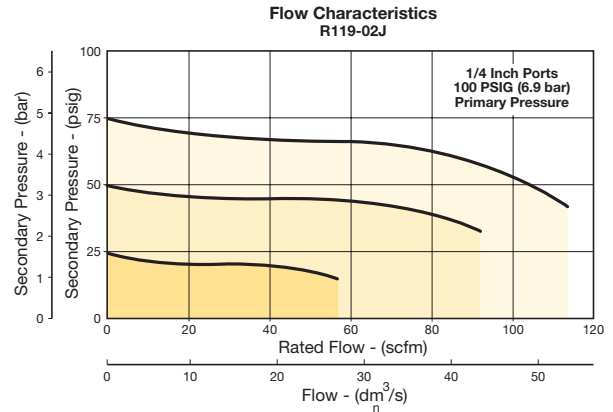
R119-04J



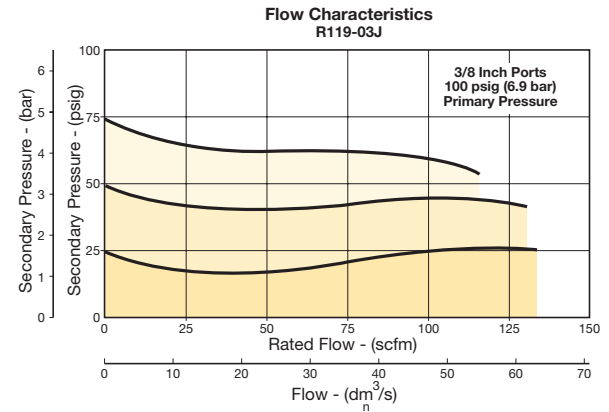
Inches (mm)

Flow Charts

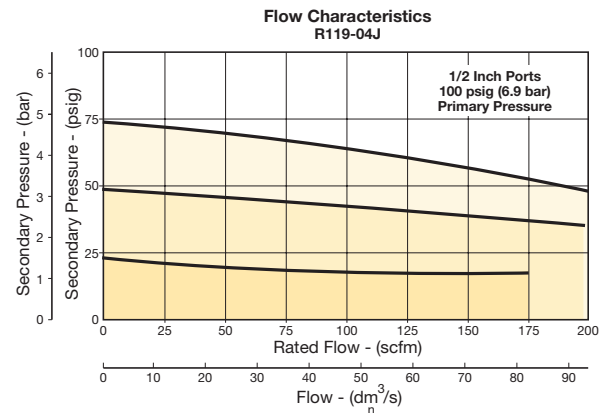
R119 1/4" Regulator



R119 3/8" Regulator



R119 1/2" Regulator



⚠ WARNING

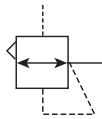
**Product rupture can cause serious injury.
 Do not connect regulator to bottled gas.
 Do not exceed Maximum primary pressure rating.**



For inventory, lead times, and kit lookup, visit www.pdnplu.com

R119 Pilot Operated Regulators - Hi-Flow

- Adapted for control by a remote or distant small pilot regulator. Ideal for maximum capacity requirements in applications where units are not readily accessible
- High flow performance featuring rugged design for the most demanding applications
- Ideal for those installations calling for constant pressure with wide variation in flow
- Diaphragm operated design with balanced poppet and constant bleed pilot for quick and accurate regulation
- Secondary aspiration plus balanced poppet provides quick response and accurate pressure regulation
- Reverse flow version available
- 3/4", 1", 1-1/2" ports (NPT, BSPP)



| Port Size | Description (0-125 psig reduced pressure) | Part Number |
|-----------|---|-----------------|
| 3/4" | Without gauge, relieving, NPT | R119-06J |
| 1" | Without gauge, relieving, NPT | R119-08J |
| 1-1/2" | Without gauge, relieving, NPT | R119-12J |

Operating information

| | | |
|-------------------------|--|--|
| Supply pressure (max): | 300 psig (0 to 20.7 bar) | |
| Air consumption: | Constant bleed from air pilot chamber: approx. 0.17 scfm (10 scfh) | |
| Operating temperature: | 40°F to 125°F (4.4°C to 52°C) | |
| Reduced pressure range: | Adjustable to within 5 to 7 psig (0.34 to 0.48 bar) of supply pressure | |
| Flow capacity†: | | |
| High flow | 3/4" | 300 scfm (141.6 dm ³ /s, ANR) |
| | 1" | 300 scfm (141.6 dm ³ /s, ANR) |
| | 1-1/2" | 500 scfm (236 dm ³ /s, ANR) |
| Gauge ports (2): | 1/4 inch | |
| Weight: | 3/4" | 5.2 lb (2.36 kg) |
| | 1" | 5.2 lb (2.36 kg) |
| | 1-1/2" | 5.6 lb (2.54 kg) |

† scfm = Standard cubic feet per minute at 100 psig inlet, 75 psig no flow secondary setting and 20 psig pressure drop.

Ordering Information:

| | | | | |
|---------------------|-------------------------------|-----------|----------|-------------------------------|
| R119 | - | 06 | J | /** |
| Port Threads | | | | Engineering Level |
| NPT | - | | | ** Will Be Entered at Factory |
| BSPP | G | | | |
| | Port Size | | | Options |
| | 3/4 inch | 06 | | Blank |
| | 1 inch | 08 | | K |
| | 1-1/2 inch | 12 | | X64* |
| | | | | X71 |
| | | | | X80 |
| | Reduced Pressure Range | | | |
| | Air Pilot Operated | J | | |

* Brass bottom plug standard with X64 option.

Most popular.



For inventory, lead times, and kit lookup, visit www.pdnplu.com

H22

Parker Hannifin Corporation
 Pneumatic Division
 Richland, Michigan
www.parker.com/pneumatics

Hi-Flow Regulators

Material Specifications

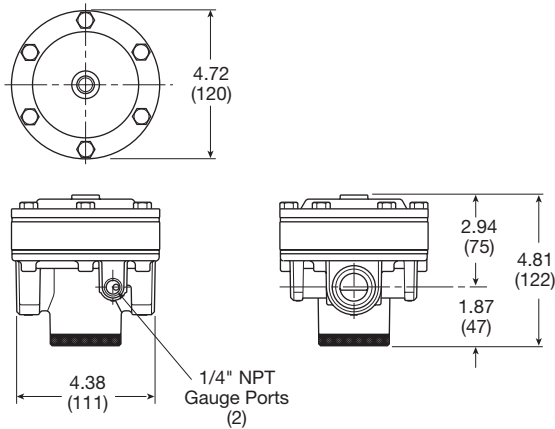
| | |
|-------------------------|--------|
| Body, ring, top plate | Zinc |
| Bottom plug, innervalve | Brass |
| Seals | Buna N |

Repair and Service Kits

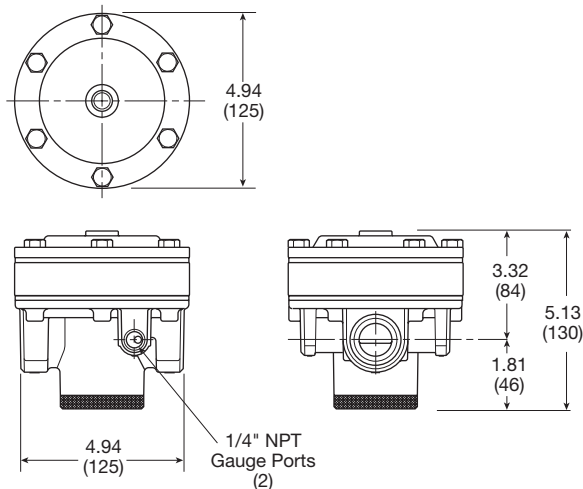
| | |
|--|---------------------|
| 2" dial face 60 psig (0 to 4.1 bar), gauge | K4520N14060 |
| 2" dial face 160 psig (0 to 11.0 bar), gauge | K4520N14160 |
| 2" dial face 300 psig (0 to 20.7 bar), gauge | K4520N14300 |
| 1-3/4" digital round face 160 psig (0 to 11.0 bar), gauge | K4517N14160D |
| Non-relieving diaphragm, valve assembly (3/4", 1") | RK118X20B |
| Non-relieving diaphragm, valve assembly (1-1/4", 1-1/2") | RK118X20D |
| Relieving diaphragm, valve assembly (3/4", 1") | RK119X20B |
| Relieving diaphragm, valve assembly (1-1/4", 1-1/2") | RK119X20D |

For Fluorocarbon Repair Kits, add X64 to Kit Number suffix.

R119-06J, R119-08J



R119-12J

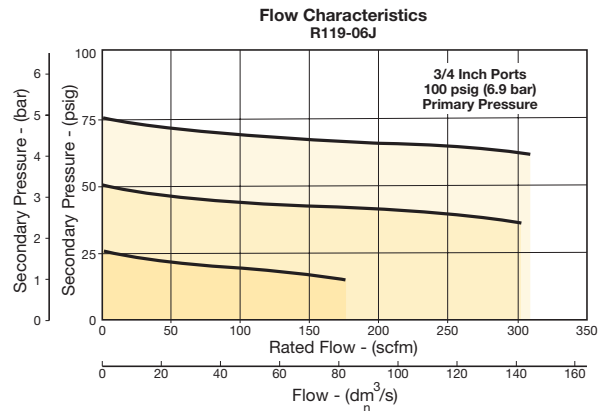


Inches (mm)

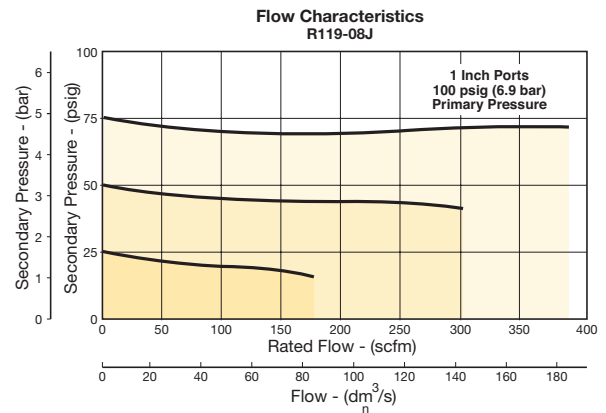
Air Preparation Products General Industrial

Flow Charts

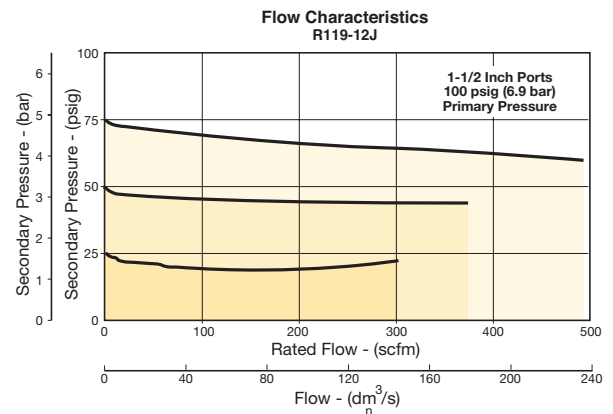
R119 3/4" Regulator



R119 1" Regulator



R119 1-1/2" Regulator



⚠ WARNING

**Product rupture can cause serious injury.
Do not connect regulator to bottled gas.
Do not exceed Maximum primary pressure rating.**



For inventory, lead times, and kit lookup, visit www.pdnplu.com

General Industrial Products

H

Filters

Coalescers

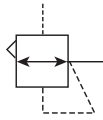
Regulators

Lubricators

Combinations

R119 Pilot Operated Regulators - Hi-Flow

- Adapted for control by a remote or distant small pilot regulator. Ideal for maximum capacity requirements in applications where units are not readily accessible
- High flow performance featuring rugged design for the most demanding applications
- Ideal for those installations calling for constant pressure with wide variation in flow
- Piston operated design with balanced poppet and dual constant bleed for quick and accurate regulation
- 2", 2-1/2" ports (NPT, BSPP)



| Port Size | Description (0-125 psig reduced pressure) | Part Number |
|-----------|---|-----------------|
| 2" | Without Gauge, Relieving, NPT | R119-16J |
| 2-1/2" | Without Gauge, Relieving, NPT | R119-20J |

Operating information

| | | |
|--------------------------------|--|---|
| Supply pressure (max): | 300 psig (0 to 20.7 bar) | |
| Air consumption: | Air pilot chamber: approx. 0.17 scfm (10 scfh) | |
| Constant bleed from: | Reduced pressure: approx. 0.17 scfm (10 scfh) | |
| Operating temperature: | 40°F to 120°F (4.4°C to 48.9°C) | |
| Reduced pressure range: | Adjustable to within 5 to 7 psig (0.34 to 0.48 bar) of supply pressure | |
| Flow capacity†: | | |
| High flow | 2" | 1800 scfm (850 dm ³ /s, ANR) |
| | 2-1/2" | 1800 scfm (850 dm ³ /s, ANR) |
| Gauge ports (2): | | |
| Can be used for full flow | 1/4 inch | |
| High pressure outlet for pilot | 1/4 inch | |
| Weight: | 15 lb (6.8 kg) | |

† scfm = Standard cubic feet per minute at 100 psig inlet, 75 psig no flow secondary setting and 20 psig pressure drop.

Ordering Information:

| | | | |
|---------------------|----------|------------------|-------------------------------|
| R119 | - | 16 | J |
| Port Threads | | | Reduced Pressure Range |
| NPT | - | | J Air Pilot Operated |
| BSPP | G | | |
| | | Port Size | |
| | | 2 inch | 16 |
| | | 2-1/2 inch | 20 |

NOTE: Non-relieving not available.

Most popular.



For inventory, lead times, and kit lookup, visit www.pdnplu.com

Hi-Flow Regulators

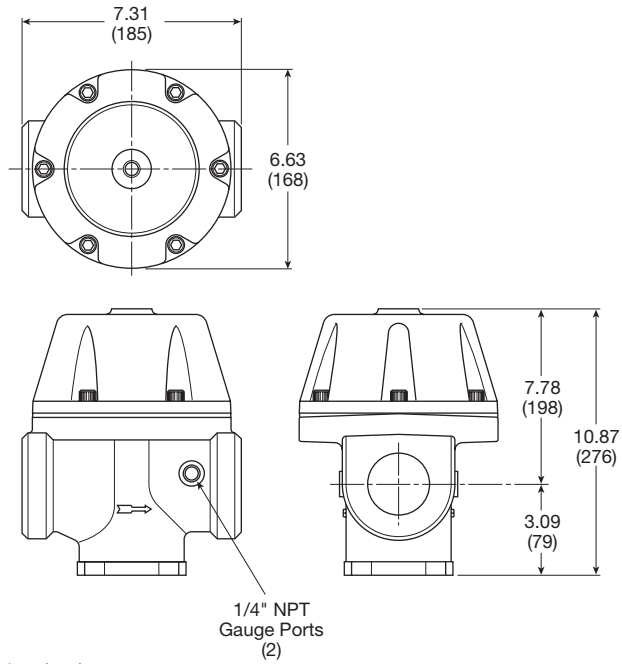
Material Specifications

| | |
|--------------|-------------------|
| Body, piston | Aluminum |
| Seals | Buna N |
| Innervalve | Brass & stainless |

Repair and Service Kits

| | |
|--|---------------------|
| 2" dial face 60 psig (0 to 4.1 bar), gauge | K4520N14060 |
| 2" dial face 160 psig (0 to 11.0 bar), gauge | K4520N14160 |
| 2" dial face 300 psig (0 to 20.7 bar), gauge | K4520N14300 |
| 1-3/4" digital round face 160 psig (0 to 11.0 bar), gauge | K4517N14160D |
| Piston type regulation (2", 2-1/2") | RK119G |

R119-16J, R119-20J

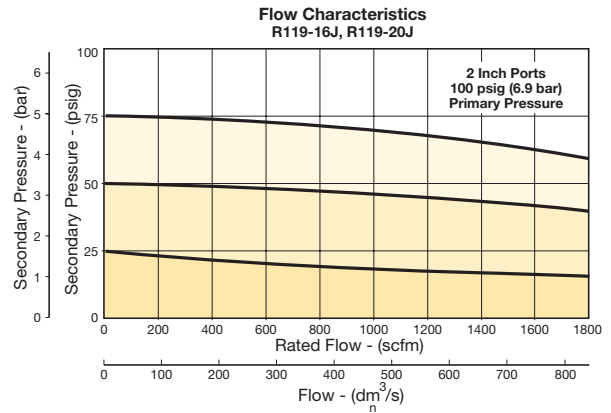


Inches (mm)

Air Preparation Products General Industrial

Flow Charts

R119 2" Regulator



WARNING

Product rupture can cause serious injury.
Do not connect regulator to bottled gas.
Do not exceed Maximum primary pressure rating.

General Industrial
Products

H

Filters

Coalescers

Regulators

Lubricators

Combinations



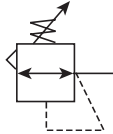
For inventory, lead times, and kit lookup, visit www.pdnplu.com

H25

Parker Hannifin Corporation
Pneumatic Division
Richland, Michigan
www.parker.com/pneumatics

09R Regulators – Hi-Flow

- Piston design for reduced downtime
- High flow
- Balanced poppet for quick and accurate regulation.
- Two full flow 1/4" gauge ports which can be used as additional outlets
- Self relieving piston standard
- 2" ports (NPT)



| Port Size | Description | Part Number |
|-----------|--------------------------|-----------------|
| 2" | Without Gauge, Relieving | 09R813BA |

Operating information

| | |
|---------------------------|---|
| Supply pressure (max): | 300 psig (0 to 20.7 bar) |
| Secondary pressure range: | 10 to 125 psig (0.7 to 8.6 bar) 10 to 180 psig (0.7 to 12.4 bar) |
| Operating temperature: | 32°F to 150°F (0°C to 65.6°C) |
| Flow capacity†: | |
| High flow | 1000 scfm (472 dm ³ /s, ANR) |
| Gauge ports (2): | 1/4 inch (can be used as additional full flow 1/4 inch outlet ports) |
| Weight: | 10.82 lb (53 kg) |

† scfm = Standard cubic feet per minute at 100 psig inlet, 90 psig no flow secondary setting and 10 psig pressure drop.

Ordering Information:

| | | | | |
|---------------------|----------|-----------------------|----------|--------------------------|
| 09R | 8 | 13 | B | A |
| Port Threads | | | | Engineering Level |
| 2 inch | 8 | | | A Current |
| | | Pressure Range | | Relief |
| | | 125 psig 13 | | B Relieving |
| | | 180 psig 15 | | M Non-Relieving |

Most popular.



For inventory, lead times, and kit lookup, visit www.pdnplu.com

H26

Parker Hannifin Corporation
 Pneumatic Division
 Richland, Michigan
www.parker.com/pneumatics

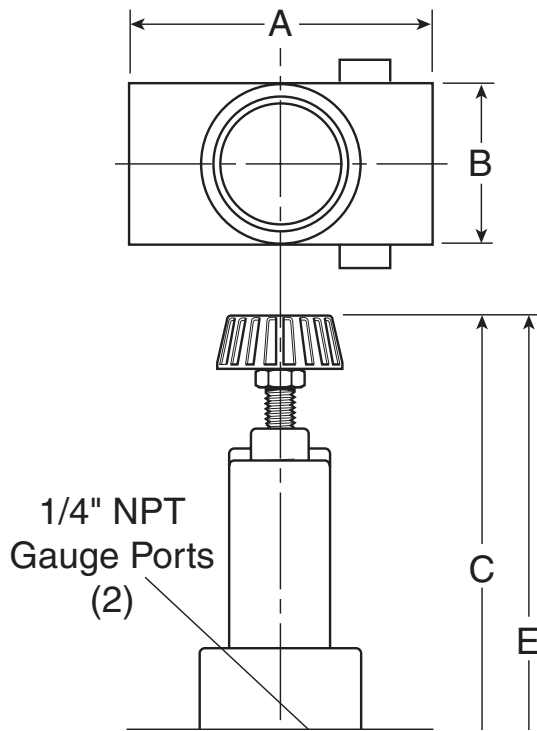
Hi-Flow Regulators

Material Specifications

| | |
|---|------------|
| Adjusting stem & springs | Steel |
| Body | Zinc Alloy |
| Bonnet, piston stem, valve poppet & cap | Aluminum |
| Piston, cap | Plastic |
| Seals | Nitrile |

Repair and Service Kits

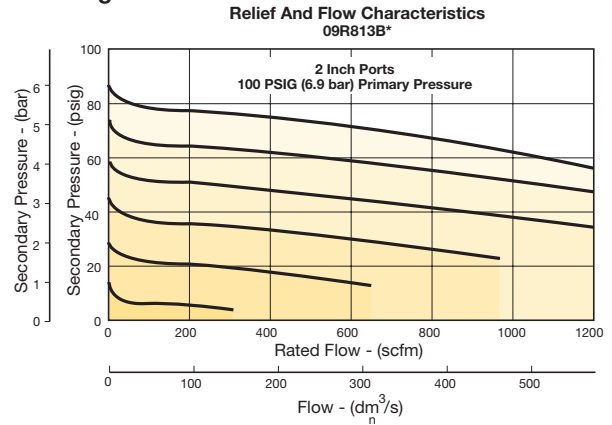
| | |
|--|---------------------|
| Body service kit | PS603P |
| 2" dial face 160 psig (0 to 11.0 bar), gauge | K4520N14160 |
| 2" dial face 300 psig (0 to 20.7 bar), gauge | K4520N14300 |
| 1-3/4" digital round face 160 psig (0 to 11.0 bar), gauge | K4517N14160D |
| Mounting bracket kit | PS605P |
| Non-relieving | PS604P |
| Relieving | PS626P |
| 0 to 125 psig spring | PS602P |
| 0 to 180 psig spring | PS627 |



Air Preparation Products General Industrial

Flow Charts

09R 2" Regulator



WARNING

**Product rupture can cause serious injury.
Do not connect regulator to bottled gas.
Do not exceed Maximum primary pressure rating.**

CAUTION:

REGULATOR PRESSURE ADJUSTMENT – The working range of knob adjustment is designed to permit outlet pressures within their full range. Pressure adjustment beyond this range is also possible because the knob is not a limiting device. This is a common characteristic of most industrial regulators, and limiting devices may be obtained only by special design. For best performance, regulated pressure should always be set by increasing the pressure up to the desired setting.

General Industrial
Products

H

Filters

Coalescers

Regulators

Lubricators

Combinations



For inventory, lead times, and kit lookup, visit www.pdnplu.com

L606 Lubricators – Standard

- Metal bowl with sight gauge - standard
- Polycarbonate sight dome
- Bowl can be filled while air line is under pressure
- Proportional oil delivery over a wide range of air flows
- Large capacity bowl
- Optional high capacity bowl(s) available
- Precision needle valve assures repeatable oil delivery and provides simple adjustment of delivery rate
- 3/4", 1" ports, (NPT, BSPP)



| Port Size | Description | Part Number |
|-----------|---|-----------------|
| 3/4" | 16 oz. Bowl with Sight Gauge, Drain | L606-06W |
| 1" | 16 oz. Bowl with Sight Gauge, Drain | L606-08W |
| 3/4" | 32 oz. Bowl without Sight Gauge, with Drain | L606-06E |
| 1" | 32 oz. Bowl without Sight Gauge, with Drain | L606-08E |
| 3/4" | 64 oz. Bowl with Sight Gauge, No Drain | L606-06G |
| 1" | 64 oz. Bowl with Sight Gauge, No Drain | L606-08G |

Operating information

| | | |
|-------------------------|-----------|--|
| Supply pressure (max): | | |
| Aluminum (E) | | 300 psig (20.7 bar) |
| Aluminum with gauge (G) | | 150 psig (10.2 bar) |
| Zinc with gauge (W) | | 250 psig (17.2 bar) |
| Operating temperature: | | |
| Aluminum (E) | | 40°F to 150°F (4.4°C to 65.6°C) |
| Aluminum with gauge (G) | | 40°F to 125°F (4.4°C to 52°C) |
| Zinc with gauge (W) | | 40°F to 150°F (4.4°C to 65.6°C) |
| Flow capacity†: | | |
| High flow | 3/4" | 325 scfm (153.4 dm ³ /s, ANR) |
| | 1" | 350 scfm (165.2 dm ³ /s, ANR) |
| Bowl capacity: | | |
| Aluminum (E) | | 32 oz. |
| Aluminum with gauge (G) | | 64 oz. |
| Zinc with gauge (W) | | 16 oz. |
| Weight: | | |
| | 16 oz (W) | 4.2 lb (1.91 kg) |
| | 32 oz (E) | 5.5 lb (2.49 kg) |
| | 64 oz (G) | 7.2 lb (3.27 kg) |

† scfm = Standard cubic feet per minute at 100 psig inlet and 5 psig pressure drop.
 () Bowl type.

Ordering Information:

| L606 | - | 06 | W | □ | /** | | | | | | | | | | | | | | |
|---|--|--------------|--|---|--|---|---|---|--|----------|---------|--------|------|---|--------------------------|-------------------|--|--|--|
| <table border="1"> <thead> <tr><th>Port Threads</th></tr> </thead> <tbody> <tr><td>NPT</td><td>-</td></tr> <tr><td>BSPP</td><td>G</td></tr> </tbody> </table> | | Port Threads | NPT | - | BSPP | G | <table border="1"> <thead> <tr><th>Port Size</th></tr> </thead> <tbody> <tr><td>3/4 inch</td><td>06</td></tr> <tr><td>1 inch</td><td>08</td></tr> </tbody> </table> | | Port Size | 3/4 inch | 06 | 1 inch | 08 | <table border="1"> <thead> <tr><th>Engineering Level</th></tr> </thead> <tbody> <tr><td>**</td><td>Will Be Entered at Factory</td></tr> </tbody> </table> | | Engineering Level | ** | Will Be Entered at Factory | |
| Port Threads | | | | | | | | | | | | | | | | | | | |
| NPT | - | | | | | | | | | | | | | | | | | | |
| BSPP | G | | | | | | | | | | | | | | | | | | |
| Port Size | | | | | | | | | | | | | | | | | | | |
| 3/4 inch | 06 | | | | | | | | | | | | | | | | | | |
| 1 inch | 08 | | | | | | | | | | | | | | | | | | |
| Engineering Level | | | | | | | | | | | | | | | | | | | |
| ** | Will Be Entered at Factory | | | | | | | | | | | | | | | | | | |
| <table border="1"> <thead> <tr><th>Bowl</th></tr> </thead> <tbody> <tr><td>32 oz. Large Capacity without Sight Gauge with Drain</td><td>E</td></tr> <tr><td>64 oz. Large Capacity with Sight Gauge</td><td>G</td></tr> <tr><td>16 oz. Metal with Sight Gauge with Drain</td><td>W</td></tr> </tbody> </table> | | Bowl | 32 oz. Large Capacity without Sight Gauge with Drain | E | 64 oz. Large Capacity with Sight Gauge | G | 16 oz. Metal with Sight Gauge with Drain | W | <table border="1"> <thead> <tr><th>Options</th></tr> </thead> <tbody> <tr><td>Blank</td><td>None</td></tr> <tr><td>H</td><td>Button Head Fill Fitting</td></tr> <tr><td>X9*</td><td>Manual Twist Drain (increases product length by 9/16 inch)</td></tr> </tbody> </table> | | Options | Blank | None | H | Button Head Fill Fitting | X9* | Manual Twist Drain (increases product length by 9/16 inch) | <p>* Standard with "E" & "W" bowl, optional with "G" bowl.</p> | |
| Bowl | | | | | | | | | | | | | | | | | | | |
| 32 oz. Large Capacity without Sight Gauge with Drain | E | | | | | | | | | | | | | | | | | | |
| 64 oz. Large Capacity with Sight Gauge | G | | | | | | | | | | | | | | | | | | |
| 16 oz. Metal with Sight Gauge with Drain | W | | | | | | | | | | | | | | | | | | |
| Options | | | | | | | | | | | | | | | | | | | |
| Blank | None | | | | | | | | | | | | | | | | | | |
| H | Button Head Fill Fitting | | | | | | | | | | | | | | | | | | |
| X9* | Manual Twist Drain (increases product length by 9/16 inch) | | | | | | | | | | | | | | | | | | |

Suggested Lubricant **F442 Oil**

Petroleum based oil of 100 to 200 SUS viscosity at 100°F (38°C) and an aniline point greater than 200°F (93°C)

(DO NOT USE OILS WITH ADDITIVES, COMPOUNDED OILS CONTAINING SOLVENTS, GRAPHITE, DETERGENTS, OR SYNTHETIC OILS.)

□ Most popular.



For inventory, lead times, and kit lookup, visit www.pdnplu.com

H28

Parker Hannifin Corporation
 Pneumatic Division
 Richland, Michigan
www.parker.com/pneumatics

Standard Lubricators

Material Specifications

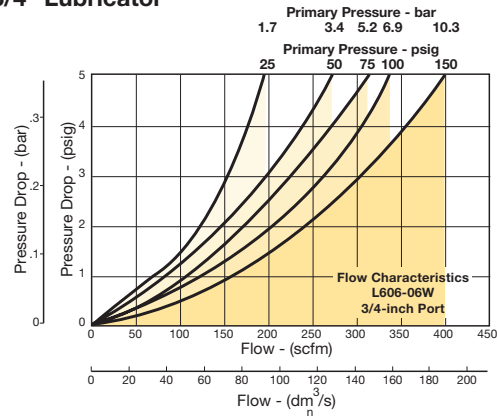
| | |
|------------------|---|
| Body | Zinc |
| Bowl, 32 oz. (E) | Aluminum |
| Bowl, 64 oz. (G) | Aluminum with polycarbonate sight gauge |
| Bowl, 16 oz. (W) | Zinc with nylon sight gauge |
| Seals | Buna N |

Repair and Service Kits

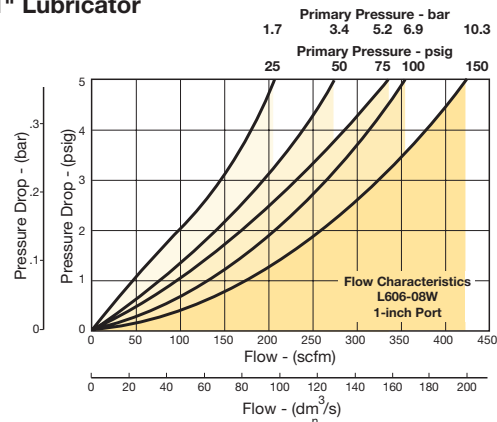
| | |
|--|-------------------|
| Adjusting knob | 606Y72 |
| Aluminum 32 oz bowl (E) | BK603B |
| Aluminum 64 oz bowl with sight gauge (G) | BK606X30B |
| Zinc 16 oz bowl with sight gauge (W) | BK609WB |
| Button head fill fitting (M14 male thread) | L606C14 |
| Dip tube kit | DTK606 |
| Drip spout kit | RK606SY |
| Mounting bracket, 3/4 Inch (2 required per unit) | SA200AW57 |
| Mounting bracket, 1 Inch units (2 required per unit) | SA200CW57 |
| Needle valve assembly (All) | RK606Y |
| Sight glass repair kit (W) | RKB605WB |
| Sight glass repair kit (G) | RKB606X30B |
| Oil (1 quart) | F442001 |
| Oil (1 gallon) | F442002 |
| Oil (12 quart case) | F442003 |
| Oil (4 gallon case) | F442005 |

Flow Charts

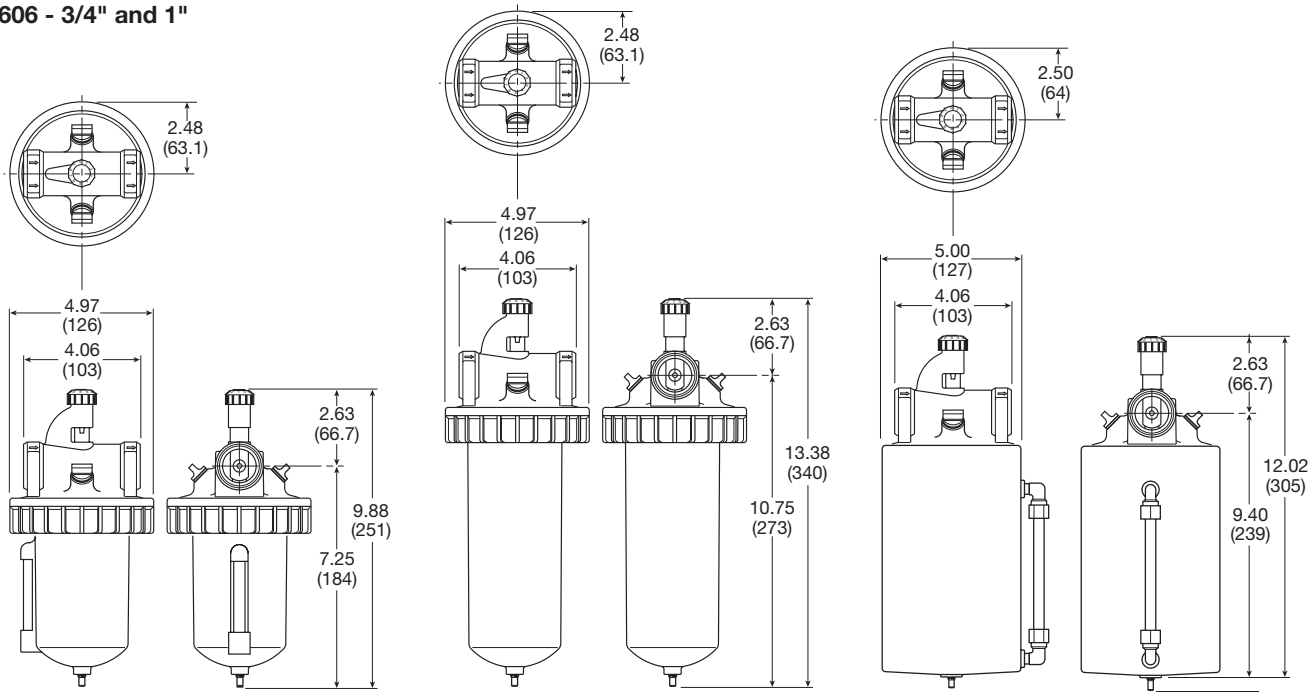
L606 3/4" Lubricator



L606 1" Lubricator



L606 - 3/4" and 1"



"W" 16 oz size bowl

"E" 32 oz size bowl

"G" 64 oz size bowl

Add 9/16" for X9 Option

Inches (mm)



For inventory, lead times, and kit lookup, visit www.pdnplu.com

L606 Lubricators – Standard

- Metal bowl with sight gauge - standard
- Polycarbonate sight dome
- Bowl can be filled while air line is under pressure
- Proportional oil delivery over a wide range of air flows
- Large capacity bowl
- Optional high capacity bowl(s) available
- Precision needle valve assures repeatable oil delivery and provides simple adjustment of delivery rate
- 1-1/2" ports (NPT, BSPP)



| Port Size | Description | Part Number |
|-----------|---|-----------------|
| 1-1/2" | 16 oz. Bowl with Sight Gauge, Drain | L606-12W |
| 1-1/2" | 32 oz. Bowl without Sight Gauge, with Drain | L606-12E |
| 1-1/2" | 64 oz. Bowl with Sight Gauge, No Drain | L606-12G |

Operating information

| | | |
|-------------------------|--------|--|
| Supply pressure (max): | | |
| Aluminum (E) | | 300 psig (20.7 bar) |
| Aluminum with gauge (G) | | 150 psig (10.2 bar) |
| Zinc with gauge (W) | | 250 psig (17.2 bar) |
| Operating temperature: | | |
| Aluminum (E) | | 40°F to 150°F (4.4°C to 65.6°C) |
| Aluminum with gauge (G) | | 40°F to 125°F (4.4°C to 52°C) |
| Zinc with gauge (W) | | 40°F to 150°F (4.4°C to 65.6°C) |
| Flow capacity†: | | |
| High flow | 1-1/2" | 400 scfm (188.8 dm ³ /s, ANR) |
| Bowl capacity: | | |
| Aluminum (E) | | 32 oz. |
| Aluminum with gauge (G) | | 64 oz. |
| Zinc with gauge (W) | | 16 oz. |
| Weight: | | |
| 16 oz | | 7.5 lb (3.40 kg) |
| 32 oz | | 8.3 lb (3.76 kg) |
| 64 oz | | 10.0 lb (4.54 kg) |

† scfm = Standard cubic feet per minute at 100 psig inlet and 5 psig pressure drop.
 () Bowl type.

Ordering Information:

L606 - **12** **W** **/****

| Port Threads | Port Size | Bowl | Engineering Level | Options |
|--------------|------------|--|--------------------------------|--|
| NPT - | 1-1/2 inch | 32 oz. Large Capacity without Sight Gauge with Drain E | /** Will Be Entered at Factory | Blank None |
| BSPP G | 12 | 64 oz. Large Capacity with Sight Gauge G | | H Button Head Fill Fitting |
| | | 16 oz. Metal with Sight Gauge with Drain W | | X9* Manual Twist Drain (increases product length by 9/16 inch) |

* Standard with "E" & "W" bowl, optional with "G" bowl.

Suggested LubricantF442 Oil

Petroleum based oil of 100 to 200 SUS viscosity at 100°F (38°C) and an aniline point greater than 200°F (93°C)

(DO NOT USE OILS WITH ADDITIVES, COMPOUNDED OILS CONTAINING SOLVENTS, GRAPHITE, DETERGENTS, OR SYNTHETIC OILS.)

Most popular.



For inventory, lead times, and kit lookup, visit www.pdnplu.com

H30

Parker Hannifin Corporation
 Pneumatic Division
 Richland, Michigan
www.parker.com/pneumatics

Material Specifications

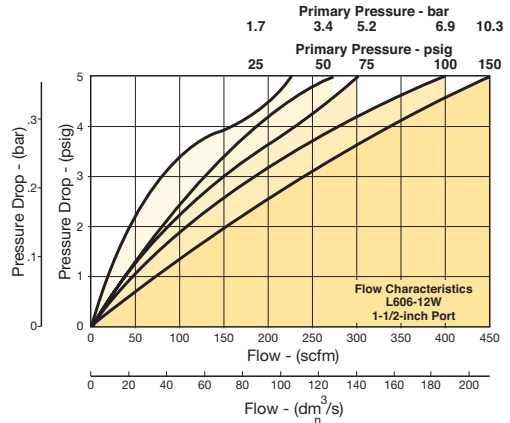
| | |
|-----------------|---|
| Body | Zinc |
| 32 oz. bowl (E) | Aluminum |
| 64 oz. bowl (G) | Aluminum with polycarbonate sight gauge |
| 16 oz. bowl (W) | Zinc with nylon sight gauge |
| Seals | Buna N |

Repair and Service Kits

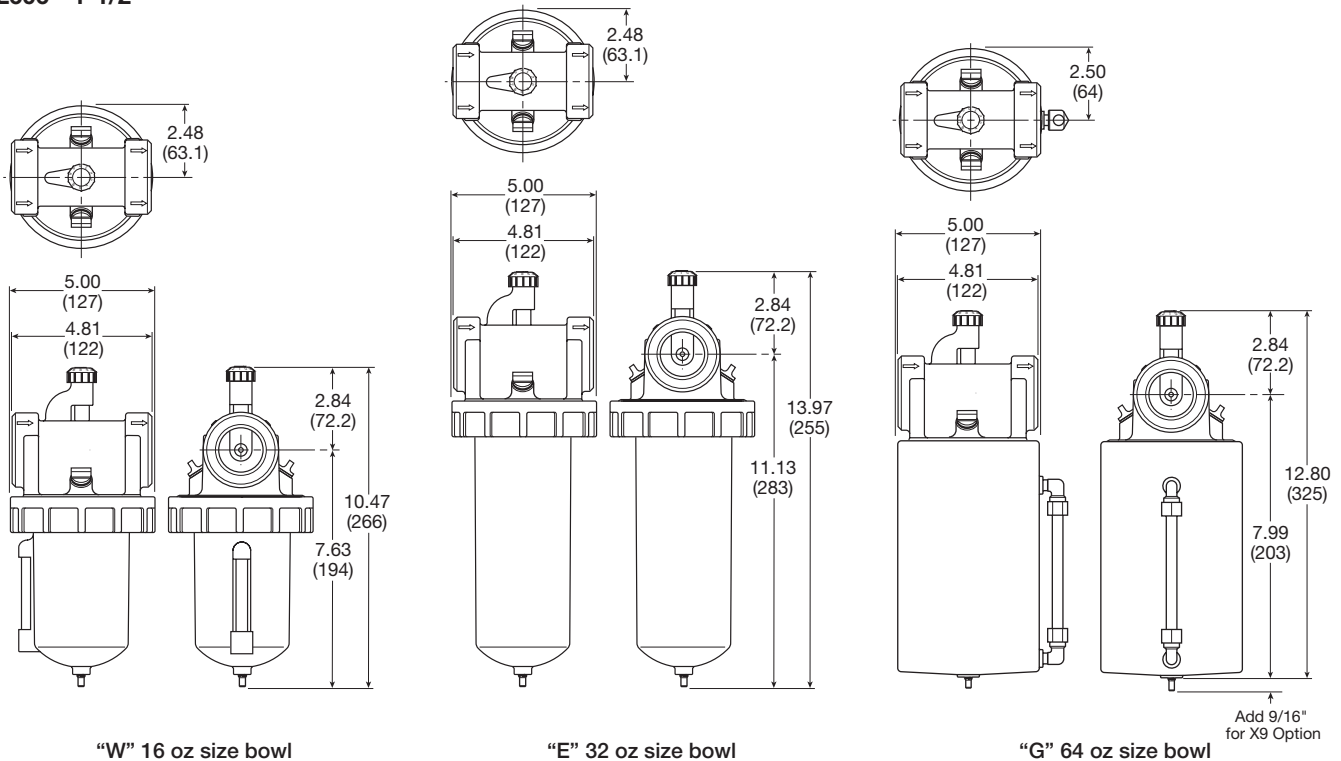
| | |
|--|-------------------|
| Adjusting knob | 606Y72 |
| Aluminum 32 oz. bowl (E) | BK603B |
| Aluminum 64 oz. bowl with sight gauge (G) | BK606X30B |
| Zinc 16 oz. bowl with sight gauge (W) | BK609WB |
| Button head fill fitting (M14 male thread) | L606C14 |
| Dip tube kit | DTK606 |
| Drip spout kit | RK606SY |
| Needle valve assembly (All) | RK606Y |
| Sight glass repair kit (W) | RKB605WB |
| Sight glass repair kit (G) | RKB606X30B |
| Oil (1 quart) | F442001 |
| Oil (1 gallon) | F442002 |
| Oil (12 quart case) | F442003 |
| Oil (4 gallon case) | F442005 |

Flow Charts

L606 1-1/2" Lubricator



L606 - 1-1/2"



Inches (mm)



For inventory, lead times, and kit lookup, visit www.pdnplu.com

H31

Parker Hannifin Corporation
 Pneumatic Division
 Richland, Michigan
www.parker.com/pneumatics

General Industrial
 Products

H

Filters

Coalescers

Regulators

Lubricators

Combinations

09L Mist Lubricators – Hi-Flow

- Metal bowl with sight gauge and manual drain – standard
- Transparent sight dome for 360° visibility
- Bowl can be filled while air line is under pressure
- Proportional oil delivery over a wide range of air flows
- 2" ports (NPT)



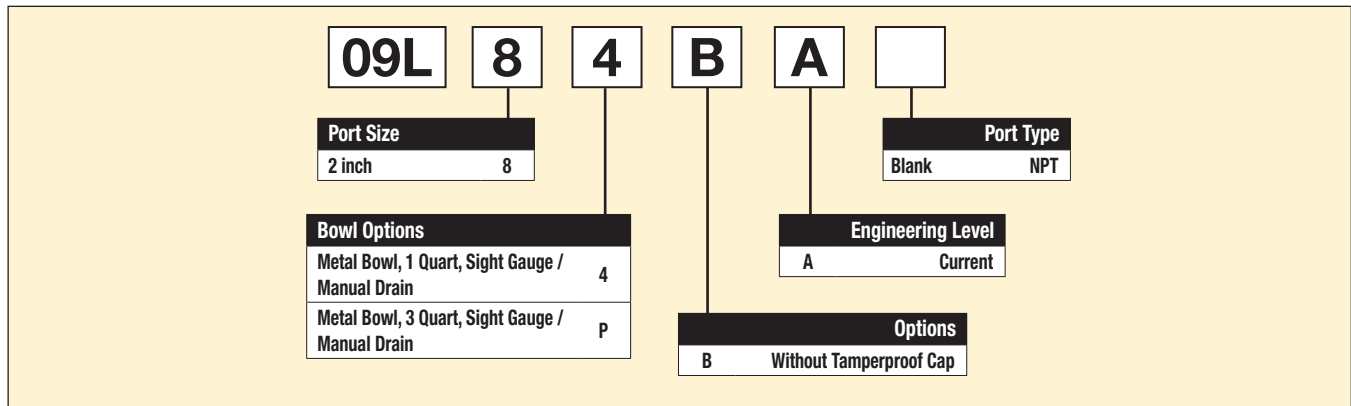
| Port Size | Description | Part Number |
|-----------|----------------------------------|----------------|
| 2" | Metal Bowl, Sight Gauge, 1 Quart | 09L84BA |
| 2" | Metal Bowl, Sight Gauge, 3 Quart | 09L8PBA |

Operating information

| | |
|------------------------|--|
| Supply pressure (max): | 150 psig (10.3 bar) |
| Operating temperature: | 32°F to 150°F (0°C to 66°C) |
| Flow capacity†: | |
| High flow | 2" 1000 scfm (472 dm ³ /s, ANR) |
| Minimum flow | 6.6 scfm at 100 psig |
| Bowl capacity: | 1 qt. (standard) |
| Weight: | 1 qt 10.2 lb (4.6 kg) |
| | 3 qt 13.7 lb (6.2 kg) |

† scfm = Standard cubic feet per minute at 90 psig inlet and 5 psig pressure drop.

Ordering Information:



Suggested LubricantF442 Oil

Petroleum based oil of 100 to 200 SUS viscosity at 100°F (38°C) and an aniline point greater than 200°F (93°C)
(DO NOT USE OILS WITH ADDITIVES, COMPOUNDED OILS CONTAINING SOLVENTS, GRAPHITE, DETERGENTS, OR SYNTHETIC OILS.)

Most popular.



For inventory, lead times, and kit lookup, visit www.pdnplu.com

High-Flow Mist Lubricators

Material Specifications

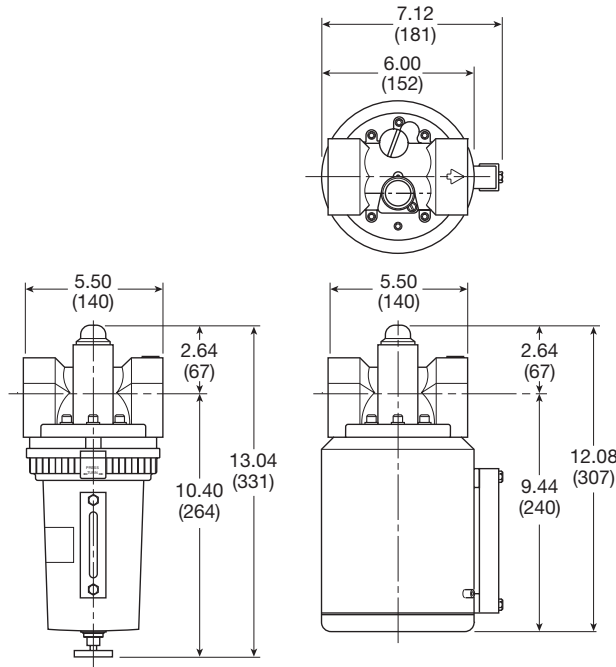
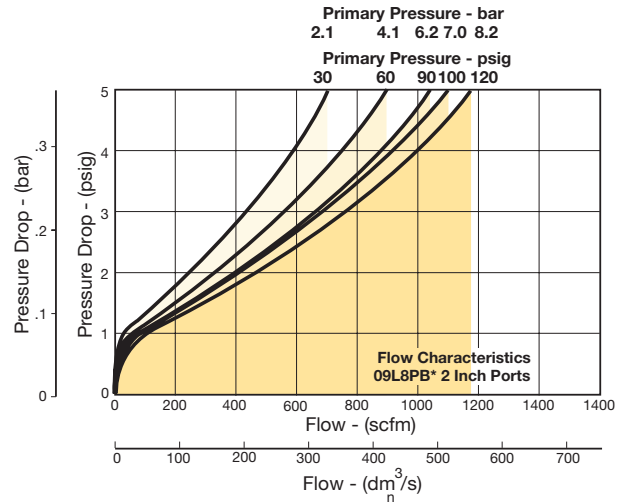
Body Zinc alloy, die cast

Repair and Service Kits

| | |
|--|----------------|
| Fill cap kit | PS610P |
| Lubricator service kit | PS607P |
| Metal bowl, 1 quart, sight gauge / twist drain | PS612P |
| Sight dome kit | PS613P |
| Oil (1 quart) | F442001 |
| Oil (1 gallon) | F442002 |
| Oil (12 quart case) | F442003 |
| Oil (4 gallon case) | F442005 |

Flow Charts

09L 2" Lubricator



Inches (mm)

1 Quart

3 Quart

General Industrial
Products

H

Filters

Coalescers

Regulators

Lubricators

Combinations



For inventory, lead times, and kit lookup, visit www.pdnplu.com

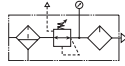
H33

Parker Hannifin Corporation
Pneumatic Division
Richland, Michigan
www.parker.com/pneumatics

C628 General Industrial Combinations – Standard

- 40 micron filter element
- Gauges included on combinations
- Manual twist drain
- Relieving regulator

C628 Standard Combinations



| Port Size | Bowl Type | Bowl Capacity | Element Type | Part Number |
|-----------|-----------------------------|---------------|--------------|-----------------------|
| 3/4" | Metal / Sight Gauge | 16 oz | 40 micron | C628-06FRLWJCW |
| 3/4" | Metal / Without Sight Gauge | 32 oz | 40 micron | C628-06FRLEJCE |
| 1" | Metal / Sight Gauge | 16 oz | 40 micron | C628-08FRLWJCW |
| 1" | Metal / Without Sight Gauge | 32 oz | 40 micron | C628-08FRLEJCE |
| 1-1/2" | Metal / Sight Gauge | 16 oz | 40 micron | C628-12FRLWJCW |
| 1-1/2" | Metal / Without Sight Gauge | 32 oz | 40 micron | C628-12FRLEJCE |

Ordering Information:

C628 - 06 FRL W J C W

| Port Size | Code |
|------------|------|
| 3/4 inch | 06 |
| 1 inch | 08 |
| 1-1/2 inch | 12 |

| Filter Bowl Options | Code |
|---------------------------------------|------|
| 32 oz. Large Capacity w/o Sight Gauge | E |
| 16 oz. Metal w/ Sight Gauge | W |

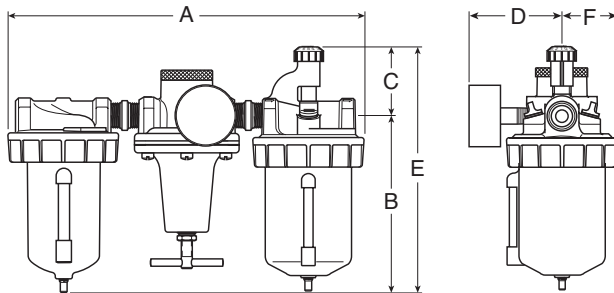
| Filter Element | Code |
|----------------|------|
| 5 Micron | G |
| 40 Micron | J |

| Regulator Reduced Pressure Range | Code |
|----------------------------------|------|
| 0 to 125 psig | C |
| 0 to 250 psig | D |

| Lubricator Body Options | Code |
|---------------------------------------|------|
| 32 oz. Large Capacity w/o Sight Gauge | E |
| 16 oz. Metal w/ Sight Gauge | W |

| Drains and Options* | Code |
|--|------|
| Button Head Fill Fitting (lubricator) | H |
| Non-Relieving Regulator | K |
| External Heavy Duty Auto Drain (filter) | Q |
| Internal Auto Drain (filter) | R |
| Manual Twist Drain on Lubricator (increases product length by 9/16 inch) | X9 |

* Filter comes standard with manual drain, lubricator comes standard with no drain.



| A | B | C | D | E | F |
|-------------------------------|---------------|--------------|--------------|----------------|--------------|
| C628-06FRL, C628-08FRL | | | | | |
| 15.75 (400) | 7.75 (197) | 2.63 (67) | 3.52 (89) | 13.00 (330) | 2.48 (63) |
| C628-12FRL | | | | | |
| 16.50 (419) | 8.13 (206) | 2.84 (72) | 3.86 (98) | 14.13 (359) | 2.64 (67) |

Inches (mm), All dimensions nominal.

WARNING
 Product rupture can cause serious injury.
 Do not connect regulator to bottled gas.
 Do not exceed maximum primary pressure rating.

CAUTION: REGULATOR PRESSURE ADJUSTMENT –
 The working range of knob adjustment is designed to permit outlet pressures within their full range. Pressure adjustment beyond this range is also possible because the knob is not a limiting device. This is a common characteristic of most industrial regulators, and limiting devices may be obtained only by special design. For best performance, regulated pressure should always be set by increasing the pressure up to the desired setting.

Most popular.



For inventory, lead times, and kit lookup, visit www.pdnplu.com

General Industrial Products
H
 Filters
 Coalescers
 Regulators
 Lubricators
 Combinations



Air Preparation Products
Miniature / Inline

Filters

| | |
|-------|-------|
| 02F | J2-J3 |
| P31FB | J4-J5 |
| 14F | J6-J7 |

Coalescing Filters

| | |
|------|---------|
| 02F | J8-J9 |
| P31F | J10-J11 |
| 10F | J12-J13 |
| 15F | J14-J15 |

Regulators

| | |
|-------|---------|
| P31R | J16-J17 |
| 14R | J18-J19 |
| P3A-R | J20-J21 |
| R34 | J22-J23 |
| R25 | J24-J25 |
| R45 | J26-J27 |
| 15R | J28-J29 |

Filter / Regulators

| | |
|-------|---------|
| P31EB | J30-J31 |
| B34 | J32-J33 |
| 14E | J34-J35 |
| 05E | J36-J37 |

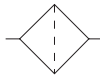
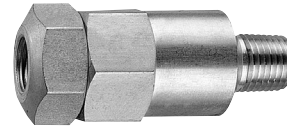
Lubricators

| | |
|-------|---------|
| 02L | J38-J39 |
| P31LB | J40-J41 |
| 04L | J42-J43 |

02F Particulate Filters – Miniature

Application

This small, aluminum in-line filter is designed to provide protection for portable pneumatic hand tools. It weighs only 2 ounces with a throw-away filter element rated at 5 micron. Either port may be used as the inlet port. Flow is 17 scfm at 90 psig inlet pressure with 5 psig pressure drop.



Operating information

| | |
|------------------------|-------------------------------|
| Supply pressure (max): | 200 psig (13.8 bar) |
| Operating temperature: | 32°F to 150°F (0°C to 65.6°C) |
| Flow capacity†: | 17 scfm (8 dm³/s, ANR) |
| Standard Filtration*: | 5 micron |
| Weight: | 0.13 lb (0.06 kg) |

† Inlet pressure 90 psig (6.2 bar). Pressure drop 5 psid (0.3 bar).

* "F" Series Filters, Type "A" 5 micron elements: All Parker 5 micron elements meet or exceed ISO Class 3 for maximum particle size and concentration of solid contaminants.

| Port Size | Description | Part Number |
|-----------|---------------|---------------|
| 1/4" | Inline Filter | 02F1BA |

- Filters
- Coalescers
- Regulators
- Filter / Regulators
- Lubricators
- Miniature / Inline Products

Most popular.



For inventory, lead times, and kit lookup, visit www.pdnplu.com

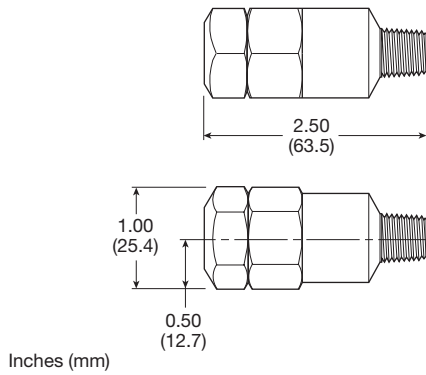
Miniature Particulate Filters

Material Specifications

| | |
|----------------|-----------------------|
| Body | Aluminum |
| Baffle | Aluminum |
| Filter element | Sintered polyethylene |
| Seals | Nitrile |

Repair and Service Kits

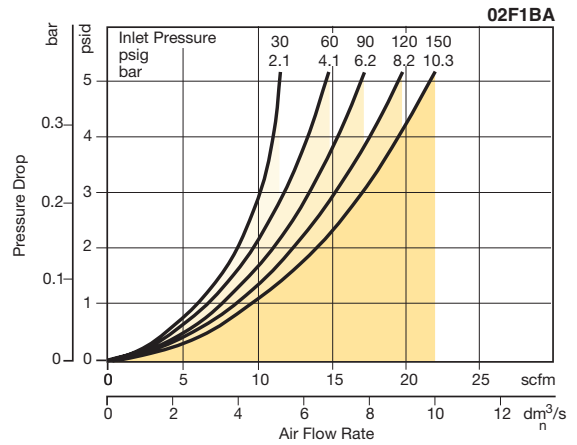
| | |
|----------|--------------|
| 5 Micron | PS436 |
|----------|--------------|



Air Preparation Products Miniature / Inline

Flow Charts

1/4" Filter



Filters

Coalescers

Regulators

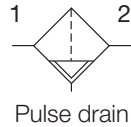
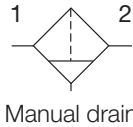
Filter /
Regulators

Lubricators

Miniature / Inline
Products

P31 Particulate Filter – Mini

- Integral 1/4" ports (NPT, BSPP & BSPT)
- High efficiency 5 micron element as standard
- Excellent water removal efficiency
- Robust but lightweight aluminum construction
- One hand operation for easy element cartridge removal
- Positive bayonet latch to ensure correct & safe fitting



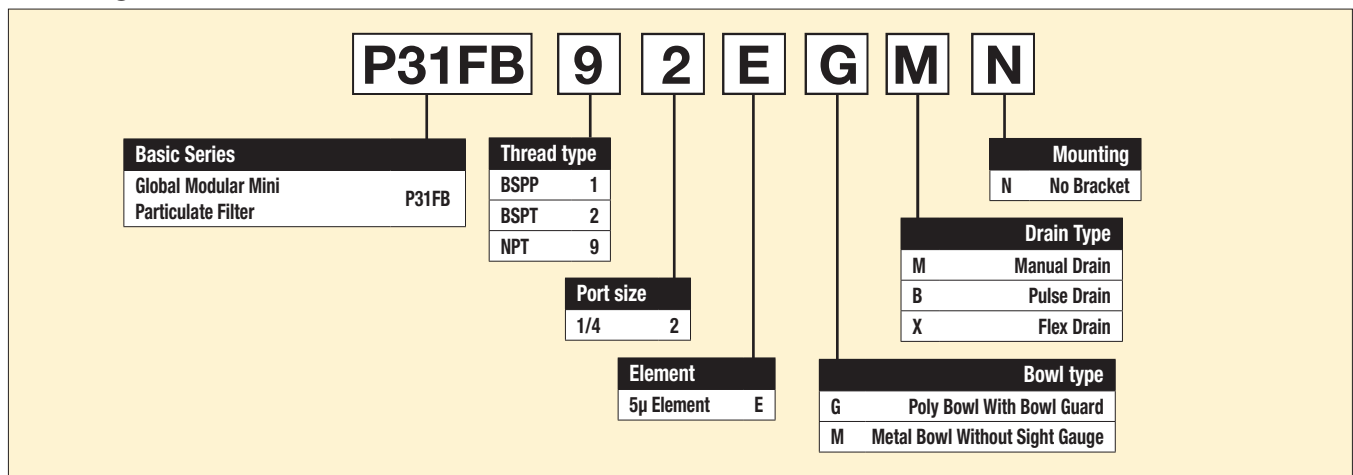
Operating information

| | |
|--|--------------------------------------|
| Supply pressure (max): | |
| Plastic bowl | 150 psig (10 bar) |
| Metal bowl | 250 psig (17 bar) |
| Operating temperature: | |
| Plastic bowl | 14°F to 125°F (-10°C to 52°C) |
| Metal bowl | 14°F to 150°F (-10°C to 65.5°C) |
| Standard filtration: | 5 micron |
| Flow capacity*: | 25 scfm (12 dm ³ /s, ANR) |
| Useful retention†: | 0.4 US oz. (12 cm ³) |
| Weight: | 0.24 lb (0.11 kg) |
| * Inlet pressure 91.3 psig (6.3 bar). Pressure drop 4.9 psig (0.34 bar). | |
| † Useful retention refers to volume below the quiet zone baffle. | |

Air quality:
 Within ISO 8573-1: 1991 Class 3 (Particulates)
 Within ISO 8573-1: 2001 Class 6 (Particulates)

| Port Size | Description | Part Number |
|-----------|--------------------------|--------------------|
| 1/4" | Poly Bowl, Manual Drain | P31FB92EGMN |
| 1/4" | Poly Bowl, Pulse Drain | P31FB92EGBN |
| 1/4" | Metal Bowl, Manual Drain | P31FB92EMMN |
| 1/4" | Metal Bowl, Pulse Drain | P31FB92EMBN |

Ordering Information:



Most popular.



For inventory, lead times, and kit lookup, visit www.pdnplu.com

Mini Particulate Filters

Material Specifications

| | |
|------------------|-----------------------|
| Body | Aluminum |
| Body cap | ABS |
| Plastic bowl | Polycarbonate |
| Metal bowl | Aluminum |
| Bowl guard | Nylon |
| Element retainer | Acetal |
| Baffle | Acetal |
| Filter element | Sintered polyethylene |
| Seals | Nitrile |

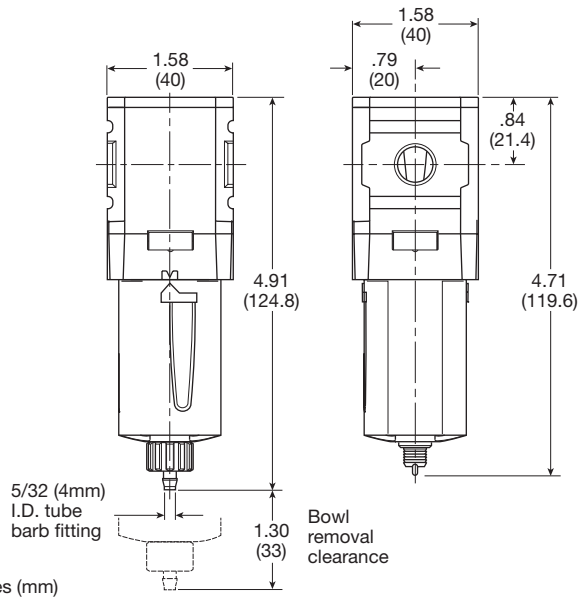
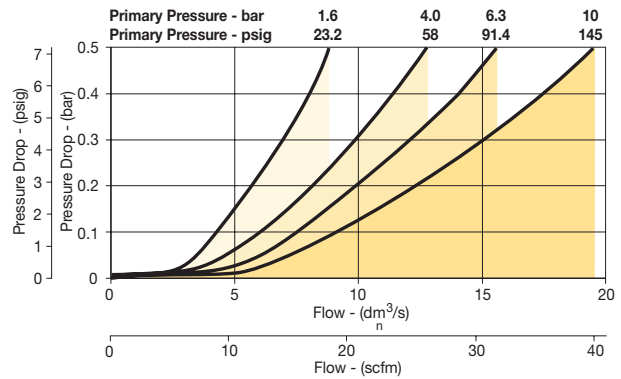
Repair and Service Kits

| | |
|--|-------------------|
| Plastic bowl / bowl guard, manual drain | P31KB00BGM |
| Metal bowl / w/o sight gauge, manual drain | P31KB00BMM |
| Plastic bowl / bowl guard, pulse drain | P31KB00BGB |
| Metal bowl / w/o sight gauge, pulse drain | P31KB00BMB |
| 5 μ particle filter element | P31KA00ESE |
| C-bracket (fits to body) | P31KA00MW |
| T-bracket with body connector | P31KA00MT |
| Body connector | P31KA00CB |

Air Preparation Products Miniature / Inline

Flow Charts

P31 1/4 Particulate Filter



Manual Drain

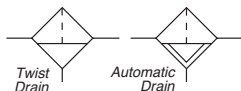
Pulse Drain



For inventory, lead times, and kit lookup, visit www.pdnplu.com

14F Particulate Filters – Miniature

- Excellent water removal efficiency
- Unique deflector plate that creates swirling of the air stream ensuring maximum water and dirt separation
- Easily disassembled for servicing without the use of tools
- 5 micron element standard
- Interchangeable twist and automatic pulse drains
- 1/8" & 1/4" ports (NPT, BSPP & BSPT)



| Port Size | Description † | Part Number |
|-----------|------------------------------|----------------|
| 1/8" | Poly Bowl, Twist Drain | 14F01BB |
| 1/8" | Metal Bowl, Twist Drain | 14F03BB |
| 1/8" | Poly Bowl, Auto Pulse Drain | 14F05BB |
| 1/8" | Metal Bowl, Auto Pulse Drain | 14F07BB |
| 1/4" | Poly Bowl, Twist Drain | 14F11BB |
| 1/4" | Metal Bowl, Twist Drain | 14F13BB |
| 1/4" | Poly Bowl, Auto Pulse Drain | 14F15BB |
| 1/4" | Metal Bowl, Auto Pulse Drain | 14F17BB |

† For polycarbonate bowl, see caution in Engineering Section A.

Operating information

| | | |
|----------------------------|------|--|
| Supply pressure (max): | | |
| Plastic bowl | | 0 to 150 psig (0 to 10.3 bar) |
| Metal bowl | | 0 to 250 psig (0 to 17.2 bar) |
| Auto pulse drain | | 10 to 250 psig (0.7 to 17.2 bar) |
| Operating temperature: | | |
| Plastic bowl | | 32°F to 125°F (0°C to 52°C) |
| Metal bowl | | 32°F to 175°F (0°C to 80°C) |
| Auto pulse drain | | 125°F (52°C) or less |
| Flow capacity†: | | |
| High flow | 1/8" | 22 scfm (10.4 dm ³ /s, ANR) |
| | 1/4" | 24 scfm (11.3 dm ³ /s, ANR) |
| Bowl capacity: | | 1 oz. |
| Auto pulse drain tube barb | | 1/8 inch |
| Weight: | | 0.41 lb (0.18 kg) |

† scfm = Standard cubic feet per minute at 90 psig inlet and 5 psig pressure drop.

Ordering Information:

14F 1 1 B B

| Port Size | Port Type |
|-----------|-----------|
| 1/8 inch | Blank |
| 1/4 inch | 1 |
| | 2 |

| Bowl Options | Engineering Level |
|-----------------------------------|-------------------|
| Poly Bowl, Twist Drain | B |
| Poly Bowl, Automatic Pulse Drain | Current |
| Metal Bowl, Twist Drain | |
| Metal Bowl, Automatic Pulse Drain | |

| Element |
|---------|
| A |
| B |
| Z |

Most popular.



For inventory, lead times, and kit lookup, visit www.pdnplu.com

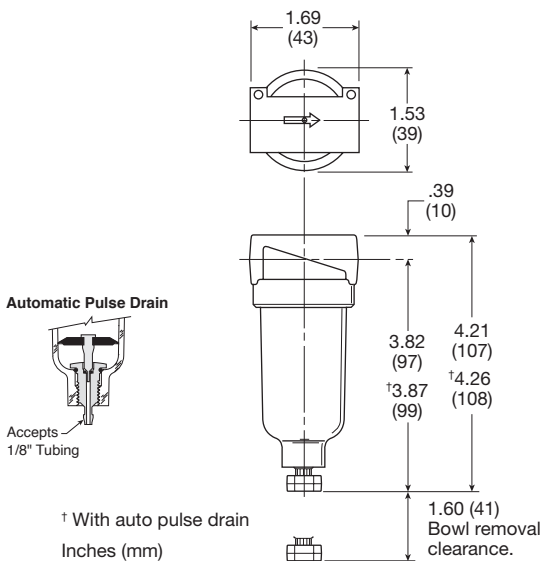
Miniature Particulate Filters

Material Specifications

| | |
|---|--------------------|
| Body | Zinc |
| Transparent bowl | Polycarbonate |
| Metal bowl without sight gauge | Zinc |
| Deflector, element holder & baffle | Plastic |
| Twist drain, body & stem | Plastic |
| Twist drain, seals | Nitrile |
| Auto pulse drain, piston & seals | Nitrile |
| Auto pulse drain, stem, seat, adaptor & washers | Aluminum |
| Element | Plastic |
| Adsorber (optional) | Activated charcoal |
| Seals | Nitrile |

Repair and Service Kits

| | |
|-------------------------------|----------------|
| Poly bowl / auto pulse drain | PS408BP |
| Poly bowl / twist drain | PS404P |
| Metal bowl / auto pulse drain | PS451BP |
| Metal bowl / twist drain | PS447BP |
| 40 Micron element | PS401P |
| 5 Micron element | PS403P |
| 5 Micron cartridge kit | PS407P |
| Adsorber element | PS452P |
| Mounting bracket kit | PS417BP |

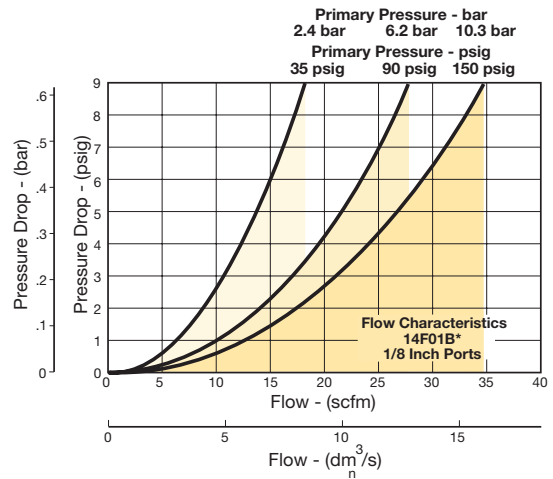


Air Preparation Products

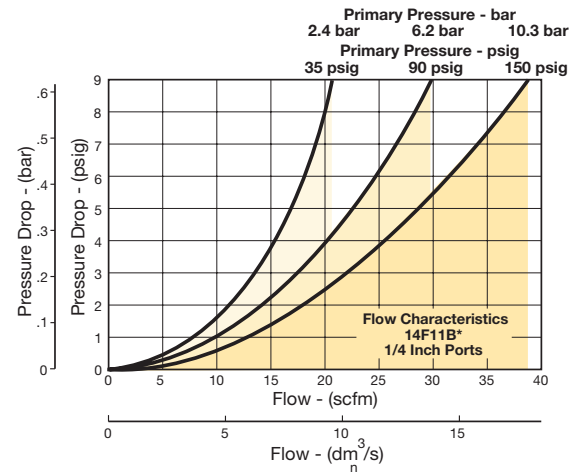
Miniature / Inline

Flow Charts

14F 1/8" Particulate Filter



14F 1/4" Particulate Filter



Filters
Coalescers
Regulators
Filter / Regulators
Lubricators
Miniature / Inline Products



02F Coalescing Filters – Miniature

- Clear nylon housing.
- Full length support tube.
- Positive tube seals.
- Optional filter grades available.
- Disposable.



Application

The 02F Miniature Inline Filter is designed to remove 99.9%+ of the aerosols and sub-micron particles from your air system.

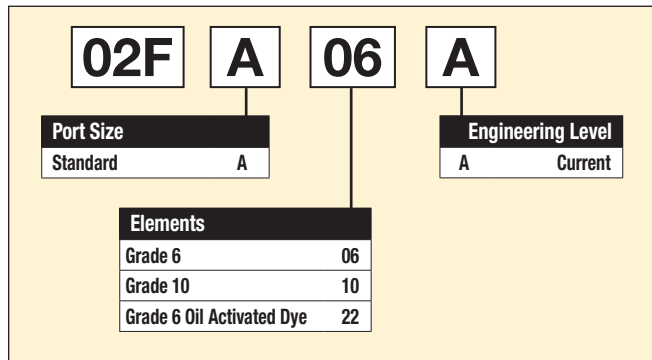
Operating information

| | | |
|-------------------------|--|---|
| Pressure & temperature: | 100 psig at 125°F (0.69 bar at 52°C) or less | |
| High flow†: | Grade 6 | 3.5 scfm (1.65 dm ³ /s, ANR) |
| | Grade 10 | 5.3 scfm (2.50 dm ³ /s, ANR) |
| Port size: | 1/4 I.D. hose slip on tang standard | |

† scfm @ 1 psid operating pressure 100 psig.

| Port Size | Element | Part Number |
|-----------|-----------------------------|----------------|
| 1/4" I.D. | Grade 6 (0.01 micron) | 02FA06A |
| | Grade 10 (1.0 micron) | 02FA10A |
| | Grade 6 (oil activated dye) | 02FA22A |

Ordering Information:

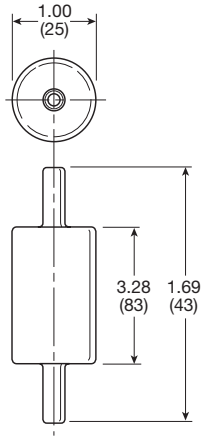


Filters
 Coalescers
 Regulators
 Filter / Regulators
 Lubricators
 Miniature / Inline Products

Miniature Coalescing Filters

Material Specifications

| | |
|---------|----------------------------------|
| Element | Borosilicate & Felt Glass Fibers |
| Housing | Nylon |

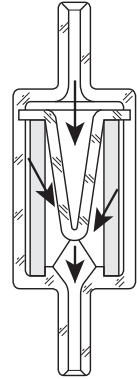


Inches (mm)

Air Preparation Products Miniature / Inline

Operation

The contaminated air enters the filters interior and is forced through the elements membrane of Borosilicate glass fibers. Contaminants and aerosols are collected and distributed evenly along the entire tubes length. This is accomplished by the use of the “center post” which not only provides this “drop out pocket”, but also provides a stable support.



| |
|-----------------------------|
| Filters |
| Coalescers |
| Regulators |
| Filter / Regulators |
| Lubricators |
| Miniature / Inline Products |



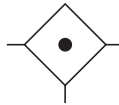
P31 Coalescing and Adsorber Filters – Mini

- Integral 1/4" ports (NPT, BSPP & BSPT)
- Removes liquid aerosols and sub micron particles
- Oil free air for critical applications, such as air gauging, pneumatic instrumentation and control
- Differential Pressure Indicator (DPI) standard on coalescing filters
- Positive bayonet latch to ensure correct and safe fitting
- Adsorbing activated carbon element removes oil vapors and most hydrocarbons



Note: To optimize the life of coalescing element, it is advisable to install a P31F pre-filter with a 5 micron element upstream of the coalescing filter.

To optimize the life of an Adsorber it is advisable to install a P31 Coalescing Filter upstream of the Adsorber. Adsorber element should be replaced approximately every 1000 hours of service.



| Port Size | Description | Element | Part Number |
|-----------|--------------------------|-------------|--------------------|
| 1/4" | Poly Bowl, Manual Drain | 0.01 micron | P31FB92DGMN |
| 1/4" | Poly Bowl, Pulse Drain | 0.01 micron | P31FB92DGBN |
| 1/4" | Metal Bowl, Manual Drain | 0.01 micron | P31FB92DMMN |
| 1/4" | Metal Bowl, Pulse Drain | 0.01 micron | P31FB92DMBN |

Operating information

| | |
|--|---|
| Supply pressure (max): | |
| Poly bowl | 150 psig (10 bar) |
| Metal bowl w/ DPI | 150 psig (10 bar) |
| Metal bowl w/o DPI | 250 psig (17 bar) |
| Operating temperature: | |
| Plastic bowl | 14°F to 125°F (-10°C to 52°C) |
| Metal bowl | 14°F to 150°F (-10°C to 65.5°C) |
| Standard filtration: | 1.0 and 0.01 micron |
| Adsorber | Max. oil carryover (ppm w/w) 0.003 @ 70°F (21°C) |
| Flow capacity*: | |
| 1.0 micron coalescing | 12 scfm (5.5 dm ³ /s, ANR) |
| 0.01 micron coalescing | 7.5 scfm (3.6 dm ³ /s, ANR) |
| Activated carbon adsorber | 12.7 scfm (6 dm ³ /s, ANR) |
| Useful retention†: | 0.4 US oz. (12 cm ³) |
| Weight: | 0.24 lb (0.11 kg) |
| * Inlet pressure 91.3 psig (6.3 bar). Pressure drop 3 psig (0.2 bar), saturated element. | |
| † Useful retention refers to volume below the quiet zone baffle. | |

Ordering Information:

| | | | | | | |
|---|---|---------------------------|--|--|---|---------------------------------|
| P31FB | 9 | 2 | D | G | M | N |
| Basic Series Global Modular Mini Coalescing Filter P31FB | Thread Type BSPP 1 BSPT 2 NPT 9 | Port Size 1/4 2 | Element 0.01µ Element C 0.01µ Element with DPI D 1µ Element 9 1µ Element with DPI Q Adsorber A | Drain Type B Pulse Drain M Manual Drain X Flex Drain | Bowl Type G Poly Bowl With Bowl Guard M Metal Bowl Without Sight Gauge | Mounting N No Bracket |

☐ Most popular.



For inventory, lead times, and kit lookup, visit www.pdnplu.com

Mini Coalescing and Adsorber Filters

Material Specifications

| | |
|------------------|--------------------|
| Body | Aluminum |
| Body cap | ABS |
| Plastic bowl | Polycarbonate |
| Metal bowl | Aluminum |
| Filter element | Borosilicate cloth |
| Adsorber element | Activated carbon |
| Seals | Nitrile |

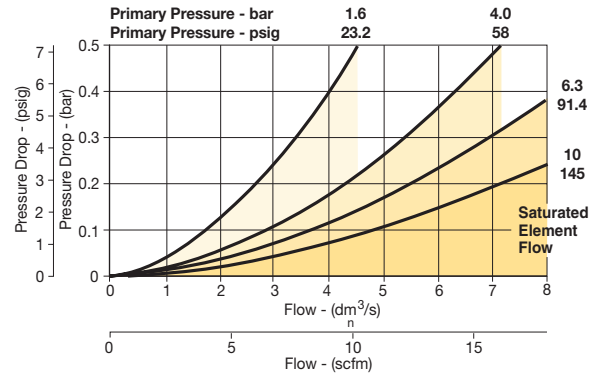
Repair and Service Kits

| | |
|---|-------------------|
| Plastic bowl / bowl guard, manual drain | P31KB00BGM |
| Metal bowl / w/o sight gauge ,manual drain | P31KB00BMM |
| Plastic bowl / bowl guard, pulse drain | P31KB00BGB |
| Metal bowl / w/o sight gauge, pulse drain | P31KB00BMB |
| 1 μ coalescing filter element | P31KA00ES9 |
| 0.01 μ coalescing filter element | P31KA00ESC |
| Activated carbon adsorber filter element | P31KA00ESA |
| C-bracket (fits to body) | P31KA00MW |
| T-bracket with body connector | P31KA00MT |
| Body connector | P31KA00CB |
| Differential pressure indicator (replacement) | P31KB00RQ |

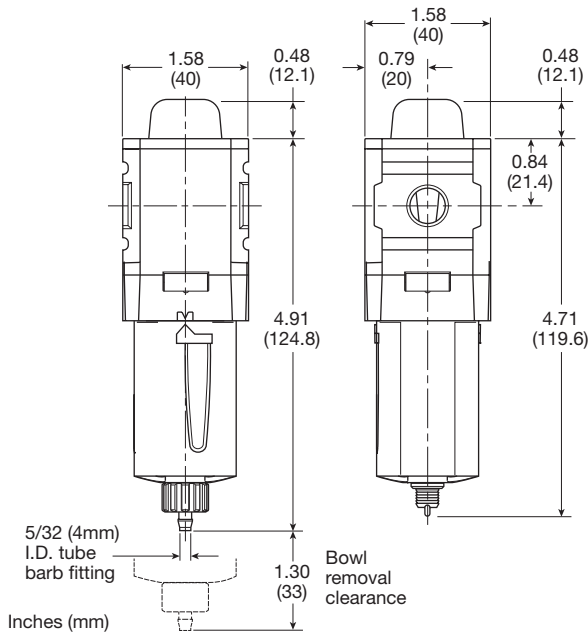
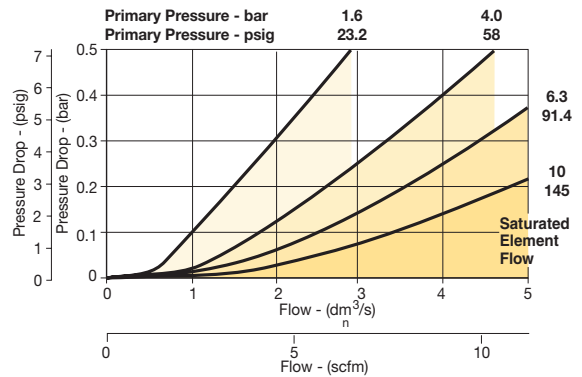
Air Preparation Products Miniature / Inline

Flow Charts

P31 - 1.0 micron flow Coalescing Filter



P31 - 0.01 micron flow Coalescing Filter



Manual Drain

Pulse Drain

| |
|-----------------------------|
| Filters |
| Coalescers |
| Regulators |
| Filter / Regulators |
| Lubricators |
| Miniature / Inline Products |



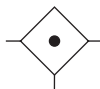
For inventory, lead times, and kit lookup, visit www.pdnplu.com

10F Coalescing Filters – Miniature

- Removes liquid aerosols and sub-micron particles.
- Liquids gravitate to the bottom of the element and will not re-enter the airstream.
- Oil free air for critical applications, such as air gauging and pneumatic instrumentation and controls.
- Interchangeable twist and automatic pulse drains.
- Grade 6 element, 99.97% DOP efficiency
- 1/8", 1/4" ports (NPT, BSPP, BSPT)

Note: To optimize the life of coalescing element, it is advisable to install a pre-filter with a 5 micron element upstream of the coalescing filter.

To optimize the life of an adsorber it is advisable to install a coalescing filter upstream of the adsorber. Adsorber element should be replaced approximately every 1000 hours of service.



Operating information

Supply pressure (max):
 Plastic bowl 0 to 150 psig (0 to 10.3 bar)
 Metal bowl 0 to 250 psig (0 to 17.2 bar)
 Auto pulse drain 10 to 250 psig (0.7 to 17.2 bar)

Operating pressure drop:
 Normal 2 psig (0.14 bar)
 Max recommended 10 psig (0.7 bar)
 (Element should be replaced)

Operating temperature:
 Plastic bowl 32°F to 125°F (0°C to 52°C)
 Metal bowl 32°F to 175°F (0°C to 80°C)
 Auto pulse drain 125°F (52°C) or less

Flow capacity†:
 Grade 6 1/8" 17 scfm (8 dm³/s, ANR)
 1/4" 20 scfm (9.4 dm³/s, ANR)
 Grade 10 1/8" 19 scfm (9 dm³/s, ANR)
 1/4" 24 scfm (11.3 dm³/s, ANR)

Bowl capacity: 1 oz.
 Auto pulse drain tube barb 1/8 inch
 Weight: 0.41 lb (0.18 kg)

† scfm = Standard cubic feet per minute at 90 psig inlet and 5 psig pressure drop.

| Port Size | Description † | Part Number |
|-----------|------------------------------|----------------|
| 1/8" | Poly Bowl, Twist Drain | 10F01ED |
| 1/8" | Metal Bowl, Twist Drain | 10F03ED |
| 1/8" | Poly Bowl, Auto Pulse Drain | 10F05ED |
| 1/8" | Metal Bowl, Auto Pulse Drain | 10F07ED |
| 1/4" | Poly Bowl, Twist Drain | 10F11ED |
| 1/4" | Metal Bowl, Twist Drain | 10F15ED |
| 1/4" | Poly Bowl, Auto Pulse Drain | 10F13ED |
| 1/4" | Metal Bowl, Auto Pulse Drain | 10F17ED |

Standard part numbers shown bold, with Grade 6 Elements (for Grade 10 Elements, replace "E" with "H" in the 6th position). For other models refer to ordering information below.

† For polycarbonate bowl, see caution in Engineering Section A.

Ordering information:

| | | | | | |
|------------------------------|----------|----------|----------|----------|--------------------------|
| 10F | 1 | 1 | E | D | |
| Port Size | | | | | Port Type |
| 1/8 inch | 0 | | | | Blank NPT |
| 1/4 inch | 1 | | | | 1 BSPP |
| | | | | | 2 BSPT |
| Bowl Options | | | | | Engineering Level |
| Poly Bowl, Twist Drain | 1 | | | | D Current |
| Poly Bowl, Auto Pulse Drain | 5 | | | | |
| Metal Bowl, Twist Drain | 3 | | | | Element |
| Metal Bowl, Auto Pulse Drain | 7 | | | | E Grade 6 |
| | | | | | H Grade 10 |

Most popular.



For inventory, lead times, and kit lookup, visit www.pdnplu.com

Miniature Coalescing Filters

Material Specifications

| | |
|---|----------------------------------|
| Body | Zinc |
| Transparent bowl | Polycarbonate |
| Metal bowl without sight gauge | Zinc |
| Twist drain, body & stem | Plastic |
| Twist drain, seals | Nitrile |
| Auto pulse drain, piston & seals | Nitrile |
| Auto pulse drain, stem, seat, adaptor & washers | Aluminum |
| Element holder | Plastic |
| Element | Borosilicate & felt glass fibers |
| Seals | Nitrile |

Repair and Service Kits

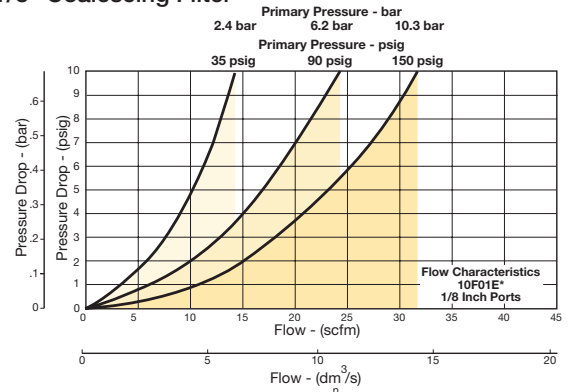
| | |
|-----------------------------------|----------------|
| Poly bowl / auto pulse drain kit | PS408BP |
| Poly bowl / twist drain kit | PS404P |
| Metal bowl / auto pulse drain kit | PS451BP |
| Metal bowl / twist drain kit | PS447BP |
| Grade 6 element (standard) | PS446P |
| Grade 10 element (optional) | PS456P |
| Mounting bracket kit | PS417BP |

Air Preparation Products Miniature / Inline

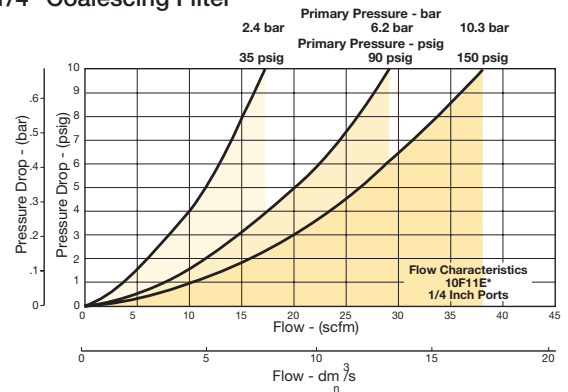
Flow Charts

Grade 6 Element

10F 1/8" Coalescing Filter

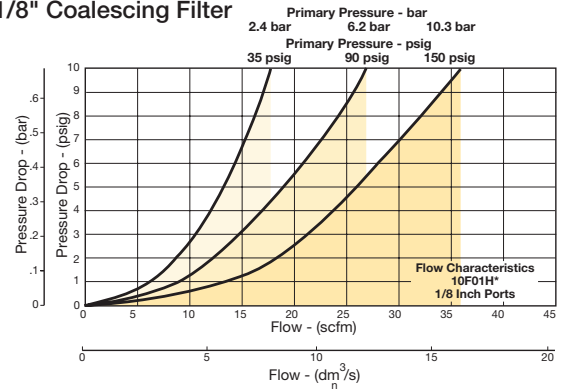


10F 1/4" Coalescing Filter

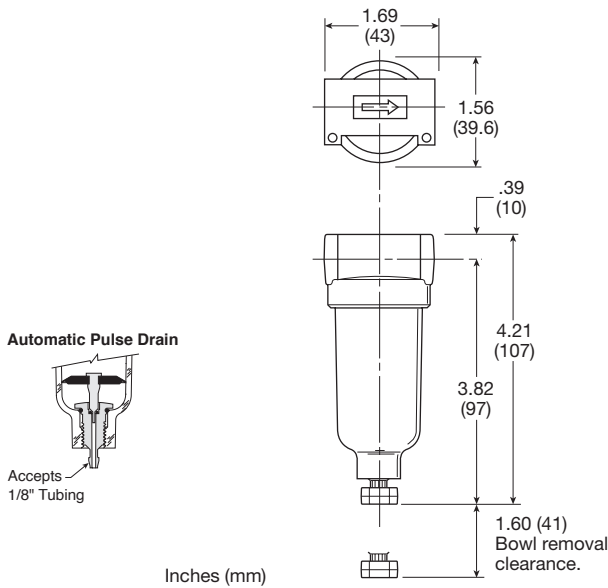
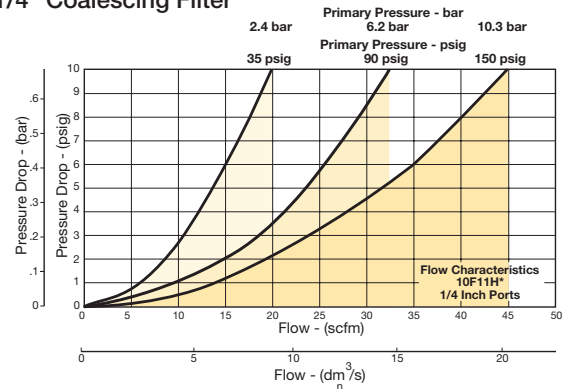


Grade 10 Element

10F 1/8" Coalescing Filter



10F 1/4" Coalescing Filter



Filters

Coalescers

Regulators

Filter / Regulators

Lubricators

Miniature / Inline Products



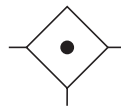
For inventory, lead times, and kit lookup, visit www.pdnplu.com

15F Coalescing Filters – Economy

- Removes liquid aerosols and sub-micron particles.
- Liquids gravitate to the bottom of the element and will not re-enter the airstream.
- Oil free air for critical applications, such as air gauging and pneumatic instrumentation and controls.
- Interchangeable twist and automatic pulse drains.
- Differential pressure indicator standard.
- 1/4" & 3/8" ports – NPT

Note: To optimize the life of coalescing element, it is advisable to install a pre-filter with a 5 micron element upstream of the coalescing filter.

To optimize the life of an adsorber it is advisable to install a coalescing filter upstream of the adsorber. Adsorber element should be replaced approximately every 1000 hours of service.



| Port Size | Description ‡ | Part Number |
|-----------|--|----------------|
| 1/4" | Poly Bowl, Metal Guard, Twist Drain | 15F12EA |
| 1/4" | Poly Bowl, Metal Guard, Auto Pulse Drain | 15F1PEA |
| 3/8" | Poly Bowl, Metal Guard, Twist Drain | 15F22EA |
| 3/8" | Poly Bowl, Metal Guard, Auto Pulse Drain | 15F2PEA |

‡ For polycarbonate bowl, see caution in Engineering Section A.

Operating information

Supply pressure (max):
 Without DPI
 Plastic bowl 0 to 150 psig (0 to 10.3 bar)
 Metal bowl 0 to 250 psig (0 to 17.2 bar)
 With DPI
 Auto pulse drain 10 to 150 psig (0.7 to 10.3 bar)

Operating temperature:
 Plastic bowl 32°F to 125°F (0°C to 52°C)
 Metal bowl 32°F to 175°F (0°C to 80°C)
 With DPI 32°F to 125°F (0°C to 52°C)

Flow capacity†: Grade 6 1/8" 30 scfm (14.2 dm³/s, ANR)
 1/4" 30 scfm (14.2 dm³/s, ANR)

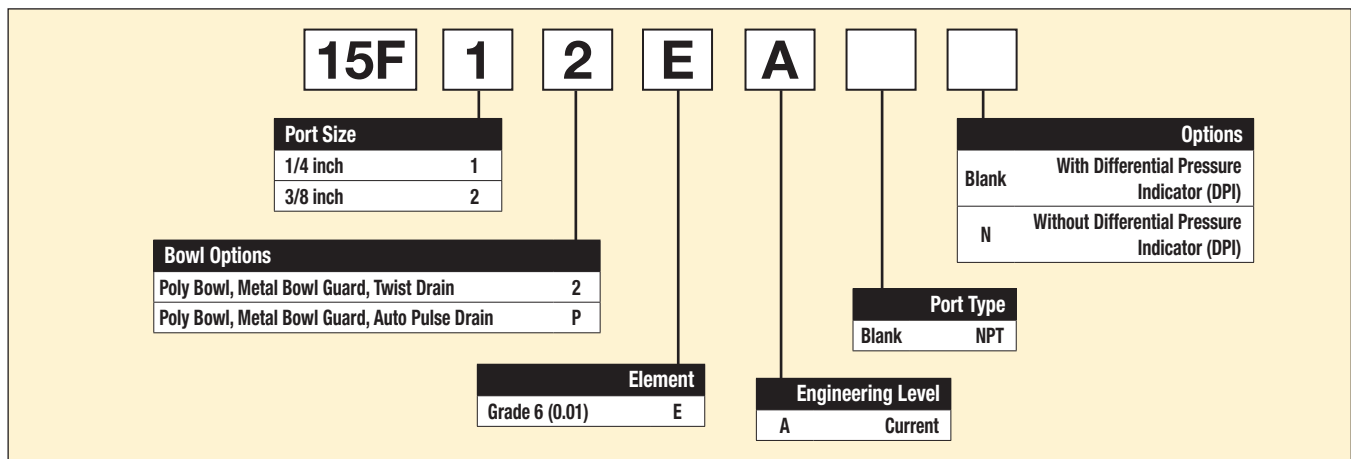
Bowl capacity: 2.0 oz.

Sump capacity: 0.9 oz.

Weight: 1.2 lb (0.54 kg)

† scfm = Standard cubic feet per minute at 90 psig inlet and 5 psig pressure drop.
 DPI = Differential pressure indicator

Ordering Information:



Most popular.



For inventory, lead times, and kit lookup, visit www.pdnplu.com

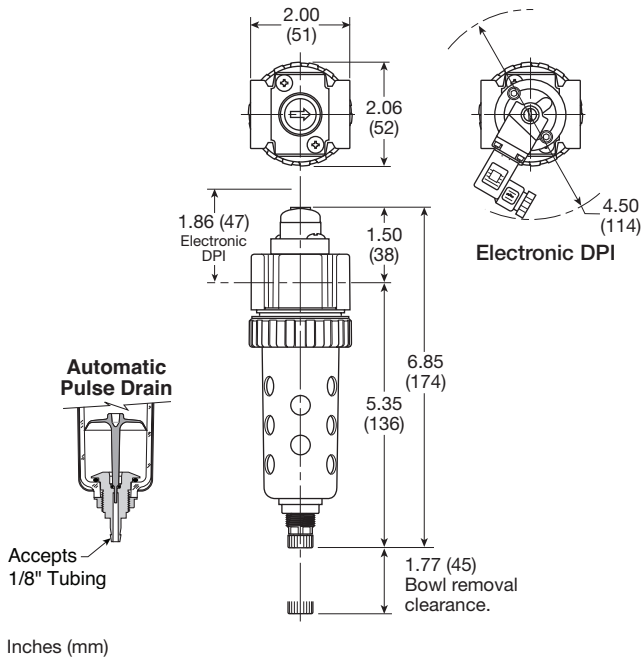
Economy Coalescing Filters

Material Specifications

| | |
|--------------------------------|----------------------------------|
| Body | Zinc |
| Transparent bowl | Polycarbonate |
| Metal bowl without sight gauge | Zinc |
| Bowl guards | Steel |
| Collar | Plastic |
| Drain | Plastic |
| Element | Borosilicate & felt glass fibers |
| Seals | Nitrile |
| Sight gauge, DPI | Polyamide (nylon) |

Repair and Service Kits

| | |
|---|------------------|
| Bowl Guard Kit | PS905P |
| Poly bowl / automatic pulse drain kit | PS995P |
| Poly bowl / twist drain kit | PS932P |
| DPI replacement kit | PS781P |
| Electronic DPI replacement kit | PS764 |
| Automatic pulse drain kit | PS998P |
| Twist drain kit | PS512P |
| Electrical connector: 15mm, 3-pin DIN, 6 ft. cord | PS2932JBP |
| Filter element kits – Grade 6 (standard) | PS924P |
| Mounting bracket kit | PS943P |
| Sight gauge kit | PS914P |

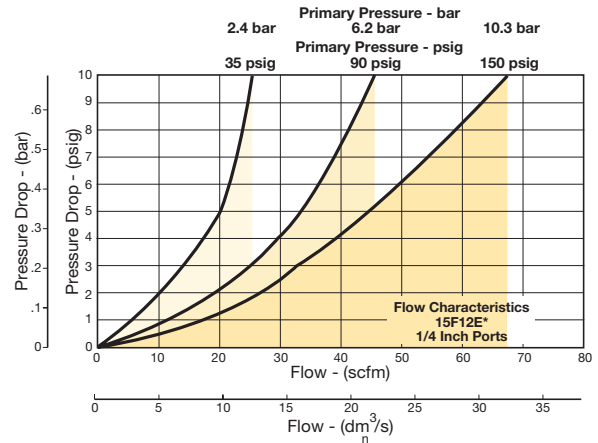


Air Preparation Products Miniature / Inline

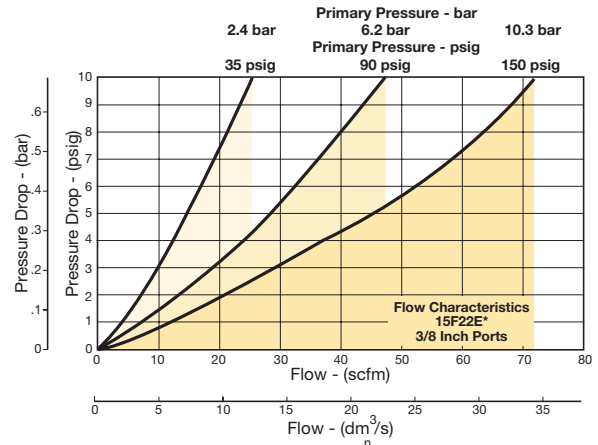
Flow Charts

Grade 6 Element

15F 1/4" Coalescing Filter



15F 3/8" Coalescing Filter



Filters

Coalescers

Regulators

Filter / Regulators

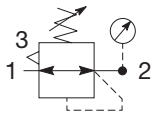
Lubricators

Miniature / Inline Products

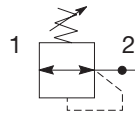


P31 Regulators – Mini

- Integral 1/4" ports (NPT, BSPP & BSPT)
- Robust but lightweight aluminum construction
- Secondary pressure ranges
- Secondary aspiration plus balanced poppet provides quick response and accurate pressure regulation.
- Relieving & non-relieving types
- Non-rising knob



Self relieving regulator with gauge



Non-relieving regulator

| Port Size | Description (Relieving) | Gauge | Part Number |
|-----------|-------------------------|--------|--------------------|
| 1/4" | 125 psig (8 bar) | None | P31RB92BNNP |
| 1/4" | 125 psig (8 bar) | Square | P31RB92BN5P |

Operating information

| | | |
|---------------------------|-----|---|
| Flow capacity*: | 1/4 | 68 scfm (32 dm ³ /s, ANR) |
| Operating temperature†: | | -4°F to 150°F (-20°C to 65.5°C) |
| Supply pressure (max): | | 300 psig (20 bar) |
| Adjusting range pressure: | | 30 psig (0-2 bar) 60 psig (0-4 bar) 125 psig (0-8 bar) 232 psig (0-16 bar) |
| Gauge port (2 each)** | | 1/8 BSPP, BSPT, NPT |
| Weight: | | 0.37 lb (0.17 kg) |

* Inlet pressure 145 psig (10 bar). Secondary pressure 91.3 psig (6.3 bar) and 14.5 psig (1 bar) pressure drop.

** Non-gauge option only.

† Units with square gauges: 5°F to 150°F (-15°C to 65.5°C)

Ordering Information:

P31RB 9 2 B N 5 P

| | | | | |
|---|---|---------------------------|---|--|
| Basic Series Global Modular Mini Regulator P31RB | Thread Type BSPP 1 BSPT 2 NPT 9 | Port Size 1/4 2 | Relief Relieving B Non-Relieving N Reverse Flow-Relieving R | Mounting P Plastic Panel Mount Nut |
| | | | | Adjustment Range |
| | | With Square Gauge | | With Round Gauge |
| | | psig | Bar | Z 30 psig; 2 Bar; 0.2 MPa |
| | | 1 = 30* | V = 2* | M 60 psig; 4 Bar; 0.4 MPa |
| | | 3 = 60 | S = 4 | G 125 psig; 8 Bar; 0.8 MPa |
| | | 5 = 125 | T = 8 | J 232 psig; 16 Bar; 1.6 MPa |
| | | | | Without Gauge |
| | | | | Y 30 psig; 2 Bar; 0.2 MPa |
| | | | | L 60 psig; 4 Bar; 0.4 MPa |
| | | | | N 125 psig; 8 Bar; 0.8 MPa |
| | | | | H 232 psig; 16 Bar; 1.6 MPa |

* Regulator comes with gauge respective to the adjustment range selected.

Adjustment
N Non-Rising Knob

☐ Most popular.



For inventory, lead times, and kit lookup, visit www.pdnplu.com

Material Specifications

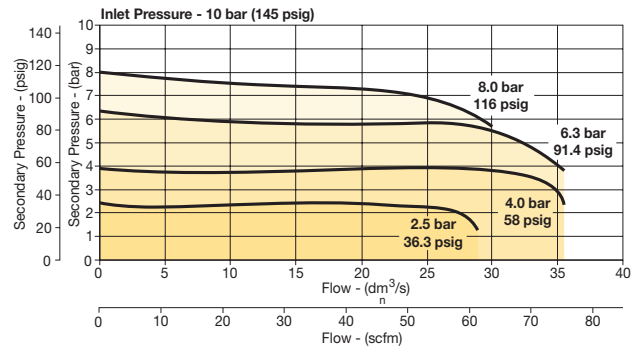
| | |
|--------------------|-----------------|
| Body | Aluminum |
| Adjustment knob | Acetal |
| Bonnet | PBT |
| Diaphragm assembly | Brass / Nitrile |
| Valve assembly | Brass / Nitrile |
| Springs | Steel |
| Seals | Nitrile |
| Panel nut | Acetal |

Repair and Service Kits

| | |
|--|------------------|
| Diaphragm repair kit - relieving | P31KB00RB |
| Diaphragm repair kit - non-relieving | P31KB00RC |
| Panel mount nut - aluminum | P31KA00MM |
| Panel mount nut - plastic | P31KA00MP |
| Angle bracket (attaches via panel nut) | P31KB00MR |
| C-bracket (fits to body) | P31KA00MW |
| T-bracket with body connector | P31KA00MT |
| Body connector | P31KA00CB |

Flow Charts

P31 1/4 Regulator



WARNING
 Product rupture can cause serious injury.
 Do not connect regulator to bottled gas.
 Do not exceed Maximum primary pressure rating.

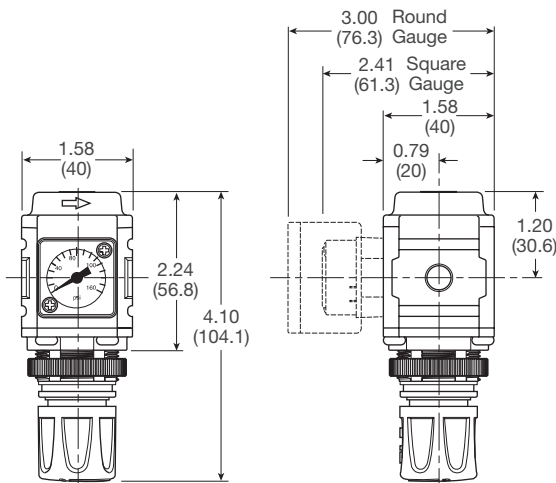
CAUTION:

REGULATOR PRESSURE ADJUSTMENT – The working range of knob adjustment is designed to permit outlet pressures within their full range. Pressure adjustment beyond this range is also possible because the knob is not a limiting device. This is a common characteristic of most industrial regulators, and limiting devices may be obtained only by special design. For best performance, regulated pressure should always be set by increasing the pressure up to the desired setting.

Gauges

| | | |
|--|-----------------------|--------------------|
| Square flush mount gauge | 0-4 bar | K4511SCR04B |
| | 0-11 bar | K4511SCR11B |
| | 0-60 psig | K4511SCR060 |
| | 0-160 psig | K4511SCR160 |
| Square with adapter kit | 0-4 bar | P6G-PR10040 |
| | 0-11 bar | P6G-PR10110 |
| | 0-60 psig | P6G-PR90060 |
| | 0-160 psig | P6G-PR90160 |
| 1.00" Round 1/8" center back mount | 0-60 psig / 0-4 bar | K4510N18060 |
| | 0-160 psig / 0-11 bar | K4510N18160 |
| 40mm Round 1/8" center back mount (Not for use with common port regulators) | 0-30 psig / 0-2 bar | K4515N18030 |
| | 0-60 psig / 0-4 bar | K4515N18060 |
| | 0-160 psig / 0-11 bar | K4515N18160 |

For best performance, regulated pressure should always be set by increasing the pressure up to the desired setting.



Inches (mm)

NOTE: 1.20 in. (30mm) hole required for panel nut mounting.

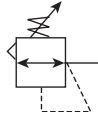
Filters
 Coalescers
 Regulators
 Filter / Regulators
 Lubricators
 Miniature / Inline Products



Miniature Regulators

14R Regulators – Miniature

- Unbalanced poppet standard
- Solid control piston with lip seal for extended life
- Non-rising adjusting knob
- Compact design
- Very easy to service
- 1/8", 1/4" ports (NPT, BSPP, BSPT)



| Port Size | Description | Part Number |
|-----------|---------------|-------------|
| 1/8" | Without Gauge | 14R013FC |
| 1/8" | With Gauge | 14R018FC |
| 1/4" | Without Gauge | 14R113FC |
| 1/4" | With Gauge | 14R118FC |

NOTE: 1.218 Dia. (31 mm) hole required for panel mounting.

Operating information

| | |
|---------------------------|--|
| Supply pressure (max): | 0 to 300 psig (0 to 20.7 bar) |
| Secondary pressure ranges | |
| Standard | 2 to 125 psig (0 to 8.6 bar) |
| Medium | 1 to 60 psig (0 to 4.1 bar) |
| Medium | 1 to 30 psig (0 to 2.1 bar) |
| Low | 1 to 15 psig (0 to 1 bar) |
| Operating temperature: | 32°F to 125°F (0°C to 52°C) |
| Low temperature | -4°F to 125°F (-20°C to 52°C) |
| Flow capacity†: | |
| High flow | 1/8" 13 scfm (6.1 dm ³ /s, ANR) |
| 1/4" | 15 scfm (7.1 dm ³ /s, ANR) |
| Gauge ports (2): | 1/8 or 1/4 inch |
| Weight: | 0.3 lb (0.14 kg) |

† scfm = Standard cubic feet per minute at 100 psig inlet, 90 psig no flow secondary setting and 10 psig pressure drop.

Ordering Information:

14R 1 13 F C

| Port Size | |
|------------------------------------|---|
| 1/8 Inch Pipe, 1/8 Inch Gauge Port | 0 |
| 1/4 Inch Pipe, 1/8 Inch Gauge Port | 1 |
| 1/4 Inch Pipe, 1/4 Inch Gauge Port | B |
| 1/8 Inch Pipe, No Gauge Port | C |
| Manifold Mounting | M |

| Port Type | |
|-----------|------|
| Blank | NPT |
| 1 | BSPP |
| 2 | BSPT |

| Preset / Pressure Limited | |
|---------------------------|------------------|
| Blank | None |
| XXX* | Preset Pressure |
| XXX* | Pressure Limited |

* Available preset / pressure limited range, 10 to 90 psig in 5 psig increments. For higher pressures, contact factory.
(Example: 065 = 65 psig)

| Engineering Level | |
|-------------------|---------|
| C | Current |

| Pressure Range | | | |
|----------------|----|------------|----|
| Yellow Knob | | Black Knob | |
| Without Gauge | | | |
| 30 psig | 10 | 30 psig | B0 |
| 60 psig | 11 | 60 psig | B1 |
| 15 psig | 12 | 15 psig | B2 |
| 125 psig | 13 | 125 psig | B3 |
| With Gauge* | | | |
| 30 psig | 15 | 30 psig | B5 |
| 60 psig | 16 | 60 psig | B6 |
| 15 psig | 17 | 15 psig | B7 |
| 125 psig | 18 | 125 psig | B8 |

* Not available with BSPP or BSPT port types.

| Relief | |
|--------|-------------------------|
| F | Relieving |
| G | Non-Relieving |
| H | Low Temp. Relieving |
| J | Low Temp. Non-Relieving |

| Options | |
|---------|--------------------------------------|
| Blank | No Options |
| L † | Preset Non-Adjustable |
| p † | Preset Adjustable |
| S † | Pressure Limiter Max. Adjustable |
| T † | Pressure Limiter Max. Non-Adjustable |

† Inlet pressure is 100 psig. For other pressures contact factory.

Spring Type by Preset / Limited Pressure:
 For Preset / Limited Pressure 10 to 25 use 30 psi spring
 For Preset / Limited Pressure 26 to 50 use 60 psi spring
 For Preset / Limited Pressure 51 to 90 use 125 psi spring

Most popular.



For inventory, lead times, and kit lookup, visit www.pdnplu.com

Miniature Regulators

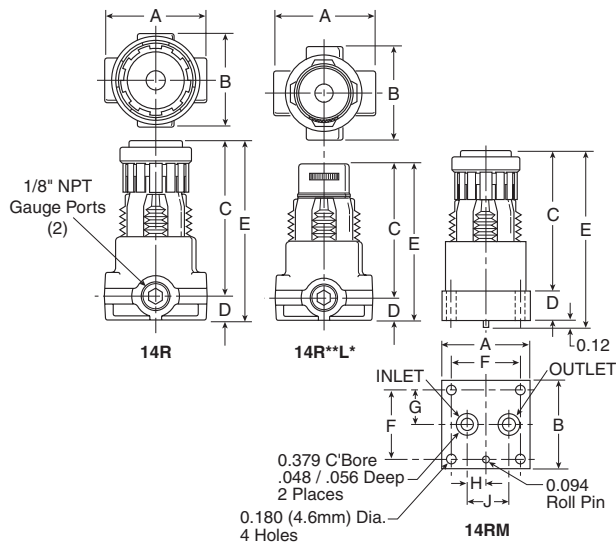
Material Specifications

| | |
|-------------------------------------|---------|
| Adjusting nut | Brass |
| Adjusting stem & spring | Steel |
| Body | Zinc |
| Bonnet, seat, piston & valve poppet | Plastic |
| Seals | Nitrile |

Repair and Service Kits

| | |
|--|--------------------|
| Bonnet assembly kit | L01369 |
| Bonnet tamperproof kit | P01265 |
| 30 psig gauge, 1/8" NPT (0 to 2.1 bar) | K4515N18030 |
| 60 psig gauge, 1/8" NPT (0 to 4.1 bar) | K4515N18060 |
| 160 psig gauge, 1/8" NPT (0 to 11.0 bar) | K4515N18160 |
| 60 psig gauge, 1/4" NPT (0 to 4.1 bar) | K4520N14060 |
| 160 psig gauge, 1/4" NPT (0 to 11.0 bar) | K4520N14160 |
| Mounting bracket kit* (includes panel mount nut) | PS417BP |
| Plastic panel mount nuts* | P78652 |
| Metal panel mount nuts* | P01531 |
| Unbalanced non-relieving, poppet / piston kit | PS428P |
| Unbalanced relieving, poppet / piston kit | PS426P |
| 1-15 psig spring (yellow) | P01176 |
| 1-30 psig spring (black) | P01175 |
| 1-60 psig spring (white) | P01174 |
| 2-125 psig spring (gold) | P01173 |

* Tighten panel mount nut 2.8 to 3.4 Nm (25 to 30 in-lbs) of torque.

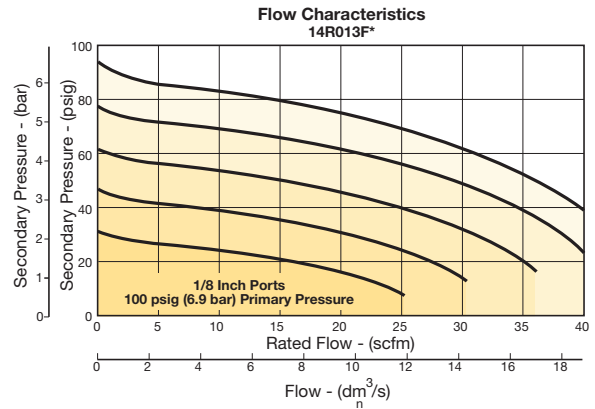


Air Preparation Products

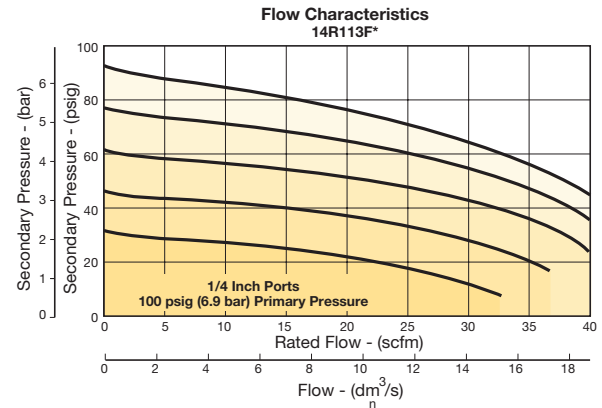
Miniature / Inline

Flow Charts

14R 1/8" Regulators



14R 1/4" Regulators



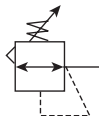
WARNING
 Product rupture can cause serious injury.
 Do not connect regulator to bottled gas.
 Do not exceed Maximum primary pressure rating.

CAUTION:
REGULATOR PRESSURE ADJUSTMENT – The working range of knob adjustment is designed to permit outlet pressures within their full range. Pressure adjustment beyond this range is also possible because the knob is not a limiting device. This is a common characteristic of most industrial regulators, and limiting devices may be obtained only by special design. For best performance, regulated pressure should always be set by increasing the pressure up to the desired setting.

| |
|-----------------------------|
| Filters |
| Coalescers |
| Regulators |
| Filter / Regulators |
| Lubricators |
| Miniature / Inline Products |

P3A-R Regulators – Miniature

- Lightweight plastic body
- Non-rising adjusting knob
- Solid control piston with lip seal for extended life
- Unbalanced poppet standard
- Two full flow 1/8" gauge ports
- Reverse flow capability
- 1/8", 1/4" ports (NPT)



| Port Size | Description | Part Number |
|-----------|---------------|---------------------|
| 1/4" | Without Gauge | P3A-RN92YNNN |

NOTE: 1.218 Dia. (31 mm) hole required for panel mounting.

Operating information

| | | |
|------------------------|--|--|
| Supply pressure (max): | 120 psig (8.3 bar) | |
| Secondary pressure: | 15 psig spring 1 to 15 psig (0.07 to 1.0 bar) | |
| | 30 psig spring 6 to 30 psig (0.4 to 2.1 bar) | |
| | 60 psig spring 6 to 60 psig (0.4 to 4.1 bar) | |
| | 110 psig spring 6 to 110 psig (0.4 to 7.6 bar) | |
| Operating temperature: | 32°F to 125°F (0°C to 52°C) | |
| Flow capacity†: | | |
| High flow 1/8" | 13 scfm (6.1 dm ³ /s, ANR) | |
| 1/4" | 15 scfm (7.1 dm ³ /s, ANR) | |
| Gauge ports (2): | 1/8 inch | |
| Weight: | 0.3 lb (0.14 kg) | |

† scfm = Standard cubic feet per minute at 100 psig inlet, 90 psig no flow secondary setting and 10 psig pressure drop.

Ordering Information:

P3A-RN 9 1 Y N N N

| Port Type | Port Size | Relief | Pressure / Gauge | Option | Preset / Pressure Limited |
|------------|-----------|----------------------------|-----------------------|--------|---------------------------|
| NPT Female | 1/8 inch | Non-Relieving, Black Knob | Without Gauge | N | Blank |
| | 1/4 inch | Relieving, Black Knob | 15 psig (0 to 1 bar) | L† | XXX* |
| | | Non-Relieving, Yellow Knob | 30 psig (0 to 2 bar) | P† | XXX* |
| | | Relieving, Yellow Knob | 60 psig (0 to 4 bar) | S† | |
| | | | 120 psig (0 to 8 bar) | T† | |
| | | | With Gauge | | |
| | | | 15 psig (0 to 1 bar) | | |
| | | | 30 psig (0 to 2 bar) | | |
| | | | 60 psig (0 to 4 bar) | | |
| | | | 120 psig (0 to 8 bar) | | |

* Available preset / pressure limited range, 10 to 90 psig in 5 psig increments. For higher pressures, contact factory.
 (Example: 065 = 65 psig)

† Inlet pressure is 100 psig. For other pressures contact factory.

Most popular.



For inventory, lead times, and kit lookup, visit www.pdnplu.com

Miniature Regulators

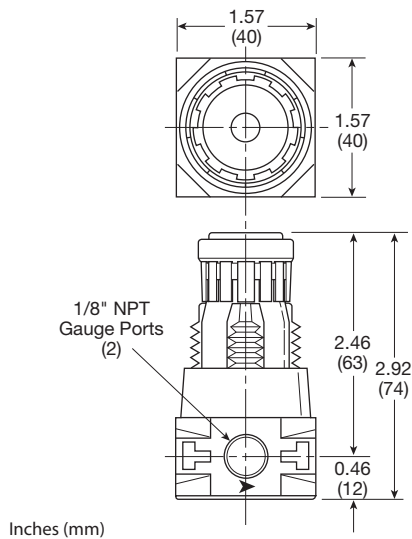
Material Specifications

| | |
|-------------------------|-------------------|
| Adjusting nut | Brass |
| Adjusting stem & spring | Steel |
| Poppet return spring | Stainless Steel |
| Body | Plastic |
| Bonnet, seat & piston | Plastic |
| Seals | Nitrile |
| Valve poppet | Plastic & nitrile |

Repair and Service Kits

| | |
|--|--------------------|
| 30 psig gauge, 1/8" NPT (0 to 2.1 bar) | K4515N18030 |
| 60 psig gauge, 1/8" NPT (0 to 4.1 bar) | K4515N18060 |
| 160 psig gauge, 1/8" NPT (0 to 11.0 bar) | K4515N18160 |
| Mounting bracket kit* (includes panel mount nut) | PS417BP |
| Panel mount nut* | P78652 |
| Unbalanced non-relieving, poppet / piston kit | PS428P |
| Unbalanced relieving, poppet / piston kit | PS426P |
| 1-15 psig Spring (yellow) | P01176 |
| 1-30 psig spring (black) | P01175 |
| 1-60 psig spring (white) | P01174 |
| 5-110 psig spring (gold) | P01173 |

* Tighten panel mount nut 2.8 to 3.4 Nm (25 to 30 in-lbs) of torque.

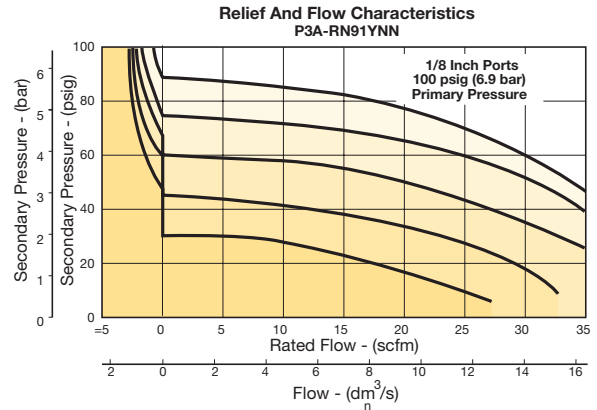


Air Preparation Products

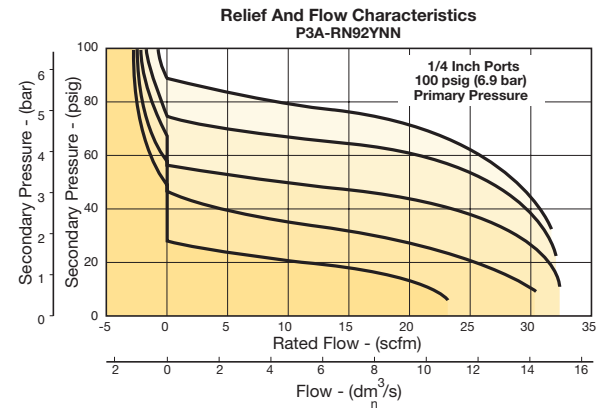
Miniature / Inline

Flow Charts

P3A-R 1/8" Regulator



P3A-R 1/4" Regulator



WARNING

Product rupture can cause serious injury.
Do not connect regulator to bottled gas.
Do not exceed Maximum primary pressure rating.

CAUTION:

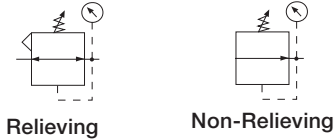
REGULATOR PRESSURE ADJUSTMENT – The working range of knob adjustment is designed to permit outlet pressures within their full range. Pressure adjustment beyond this range is also possible because the knob is not a limiting device. This is a common characteristic of most industrial regulators, and limiting devices may be obtained only by special design. For best performance, regulated pressure should always be set by increasing the pressure up to the desired setting.

| |
|-----------------------------|
| Filters |
| Coalescers |
| Regulators |
| Filter / Regulators |
| Lubricators |
| Miniature / Inline Products |



R34 Regulators – Miniature

- Diaphragm operated for fast response
- Large diaphragm to valve area ratio for precise regulation and high flow capacity
- Balanced valve design for precise regulation
- Available in 2 or 4 port design
- Available with a manifold mount to minimize plumbing
- Suitable for low temperature applications
- Non-rising adjusting knob
- 1/8", 1/4" ports (NPT, BSPP)



R344-02C



R342-0MC

| Port Size | Description | Part Number | |
|-----------|--------------------------|---------------|------------|
| | | Without Gauge | With Gauge |
| 1/8" | Relieving, 0 to 30 psig | R344-01A | R344-01AG |
| 1/8" | Relieving, 0 to 60 psig | R344-01B | R344-01BG |
| 1/8" | Relieving, 0 to 125 psig | R344-01C | R344-01CG |
| 1/4" | Relieving, 0 to 30 psig | R344-02A | R344-02AG |
| 1/4" | Relieving, 0 to 60 psig | R344-02B | R344-02BG |
| 1/4" | Relieving, 0 to 125 psig | R344-02C | R344-02CG |
| Manifold | Relieving, 0 to 30 psig | R342-0MA | - |
| Manifold | Relieving, 0 to 60 psig | R342-0MB | - |
| Manifold | Relieving, 0 to 125 psig | R342-0MC | - |

Operating information

| | |
|------------------------|---|
| Supply pressure (max): | 300 psig (0 to 20.7 bar) |
| Operating temperature: | -40°F to 150°F (-40°C to 65.5°C) |
| Flow capacity†: | |
| High flow | 1/8" 17 scfm (8.0 dm³/s, ANR) |
| | 1/4" 19 scfm (8.9 dm³/s, ANR) |
| Gauge ports (2): | 1/8 inch (no gauge port version available) |
| Weight: | 0.25 lb (0.11 kg) |

† scfm = Standard cubic feet per minute at 100 psig inlet, 90 psig no flow secondary setting and 10 psig pressure drop.

Ordering Information:

R34 4 - 02 C G

| Number of Ports | |
|-----------------|----|
| 2 Ports | 2 |
| 4 Ports | 4* |

* Not available with manifold mount.

| Thread | |
|--------|---|
| NPT | - |
| BSPP | G |

| Port | |
|----------------|----|
| 1/8 inch | 01 |
| 1/4 inch | 02 |
| Manifold Mount | 0M |

| Pressure Range | |
|----------------|---|
| 0 to 30 psi | A |
| 0 to 60 psi | B |
| 0 to 125 psi | C |

| Options | |
|---------|-----------------------|
| Blank | No Options |
| L † | Preset Non-Adjustable |
| M † | Preset Adjustable |

† Inlet pressure is 100 psig. For other pressures contact factory.

| Options | |
|---------|-------------------------|
| Blank | No Option |
| G | Gauge |
| K | Non-Relieving Diaphragm |
| N | Unbalanced |
| P | Panel Mount Nut |
| X64 | Fluorocarbon Elastomers |

| Preset | |
|--------|-----------------|
| Blank | None |
| XXX* | Preset Pressure |

* Available preset / pressure limited range, 10 to 90 psig in 5 psig increments. For higher pressures, contact factory.
 (Example: 065 = 65 psig)

Most popular.



For inventory, lead times, and kit lookup, visit www.pdnplu.com

Miniature Regulators

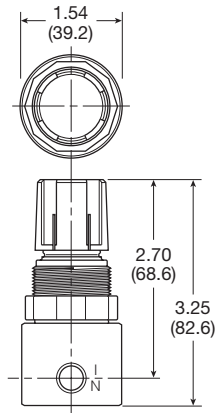
Material Specifications

| | |
|-------------------|----------|
| Body | Aluminum |
| Bonnet | Acetal |
| Diaphragm & seals | Nitrile |
| Valve assembly | Brass |
| Springs | Steel |
| Panel Nut | Acetal |

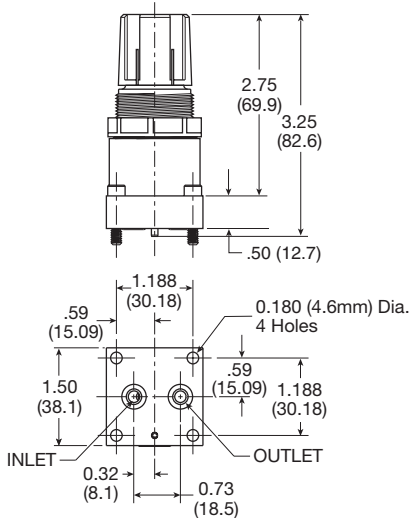
Repair and Service Kits

| | |
|---|--------------------|
| Diaphragm assembly, non-relieving | GRP-96-726 |
| Diaphragm assembly, relieving | GRP-96-725 |
| 0 to 30 psig (0 to 2.1 bar), spring, regulating | GRP-95-111 |
| 0 to 60 psig (0 to 4.1 bar) spring, regulating | GRP-96-718 |
| 0 to 125 psig (0 to 8.6 bar) spring, regulating | GRP-96-717 |
| Panel mount nut, aluminum | R05X51-A |
| Panel mount nut, plastic | R05X51-P |
| Mounting bracket kit (includes panel mount nut) | SA161X57 |
| 1-1/2" Dial Face, 1/8 NPT, CBM, 0 to 60 psig (0 to 4.1 bar), gauge | K4515N18060 |
| 1-1/2" Dial Face, 1/8 NPT, CBM, 0 to 160 psig (0 to 11.0 bar), gauge | K4515N18160 |
| Tamperproof knob kit | P31KB00AT |

R342 / R344



R342-0MC

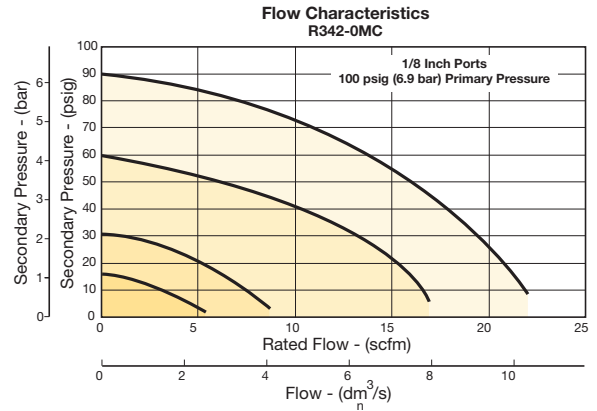


Inches (mm)

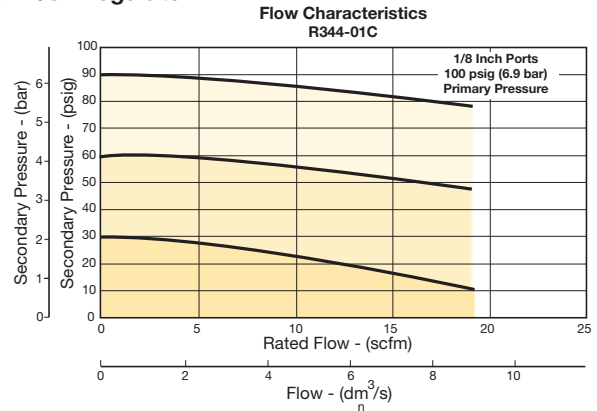
Air Preparation Products Miniature / Inline

Flow Charts

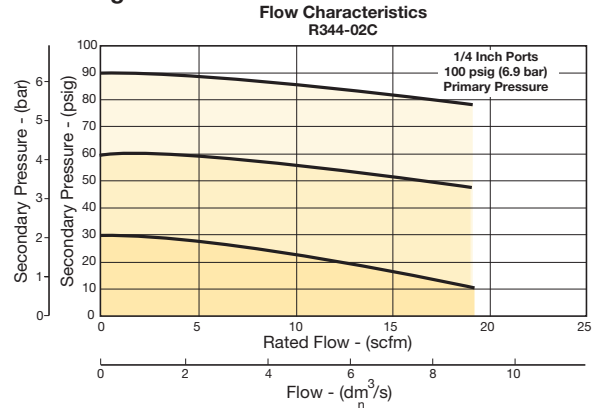
R34 1/8" Manifold Mount



R34 1/8" Regulator



R34 1/4" Regulator



⚠ WARNING

**Product rupture can cause serious injury.
Do not connect regulator to bottled gas.
Do not exceed Maximum primary pressure rating.**

CAUTION:

REGULATOR PRESSURE ADJUSTMENT – The working range of knob adjustment is designed to permit outlet pressures within their full range. Pressure adjustment beyond this range is also possible because the knob is not a limiting device. This is a common characteristic of most industrial regulators, and limiting devices may be obtained only by special design. For best performance, regulated pressure should always be set by increasing the pressure up to the desired setting.

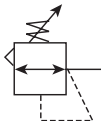


For inventory, lead times, and kit lookup, visit www.pdnplu.com

Filters
Coalescers
Regulators
Filter / Regulators
Lubricators
Miniature / Inline Products

R25 Regulators – Miniature

- Lightweight plastic body
- Unbalanced poppet standard
- Non-rising, push-to-lock adjusting knob
- Compact, 3.10 Inch (79 mm) high by 1.60 Inch (41 mm) wide
- Lightweight
- Diaphragm operated
- 1/8", 1/4" ports (NPT)



Operating information

| | |
|------------------------|---|
| Supply pressure (max): | Inlet 150 psig (10.0 bar) |
| Operating temperature: | 40°F to 125°F (4°C to 52°C) |
| Gauge ports (2): | 1/8 inch (can be used for full flow) |
| Weight: | 0.25 lb (0.11 kg) |

| Port Size | Description | Part Number |
|-----------|--|----------------|
| 1/8" | Relieving, 0-125 Reduced Pressure, without Gauge | R25-01C |
| 1/4" | Relieving, 0-125 Reduced Pressure, without Gauge | R25-02C |

NOTE: 1.250 Dia. (31.8 mm) hole required for panel mounting.

Ordering Information:

| | | | | | | | | | |
|-----------------|-----|------------------|----|---------------|-----------------|-----------------------|--------------------------------------|----------|--|
| R25 | | - | | 02 | | C | | | |
| Type | | Port Size | | Relief | | Pressure Range | | | |
| Buna Elastomers | R25 | 1/8 inch | 01 | Blank | Relieving | A | 0 to 25 psig (0 to 2 bar) | | |
| | | 1/4 inch | 02 | P | Panel Mount Nut | B | 0 to 60 psig (0 to 4 bar) | | |
| | | | | | | C | 0 to 125 psig (0 to 125 (0 to 8 bar) | | |

Most popular.



For inventory, lead times, and kit lookup, visit www.pdnplu.com

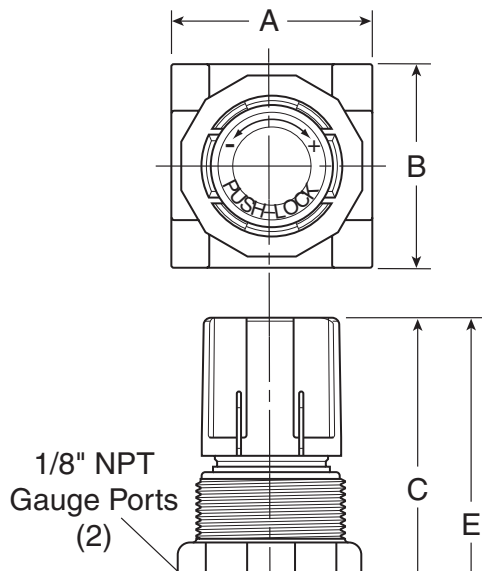
Miniature Regulators

Material Specifications

| | |
|-----------------|-----------------|
| Adjusting screw | Steel |
| Body | Acetal |
| Bonnet and seat | Acetal |
| Diaphragm | Buna N |
| Seals | Buna N |
| Springs | Stainless steel |
| Valve poppet | Buna N |

Repair and Service Kits

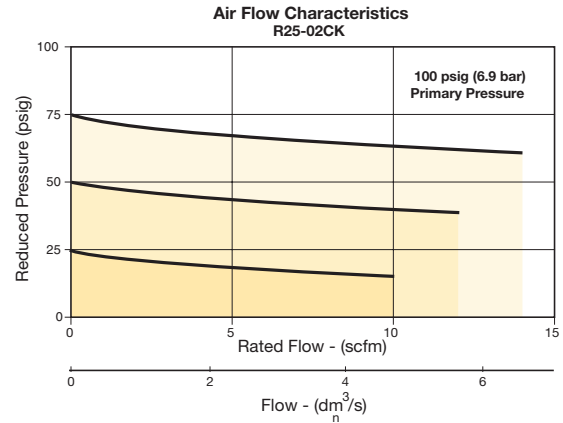
| | |
|---------------------------|------------------|
| Panel mount nut, plastic | R05X51-P |
| Panel mount nut, aluminum | R05X51-A |
| Mounting bracket and nut | SA161X57 |
| Relieving (Buna) | RKR25Y |
| Non-Relieving (Buna) | RKR25KY |
| 0-25 psig spring | SPR-375-1 |
| 0-60 psig spring | SPR-376 |
| 0-125 psig spring | SPR-377 |



Air Preparation Products Miniature / Inline

Flow Charts

R25 1/4" Regulator



WARNING

Product rupture can cause serious injury.
Do not connect regulator to bottled gas.
Do not exceed Maximum primary pressure rating.

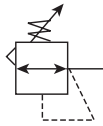
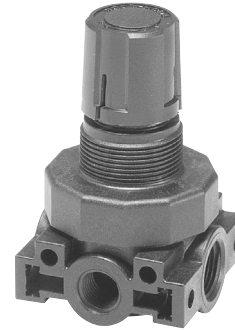
CAUTION:

REGULATOR PRESSURE ADJUSTMENT – The working range of knob adjustment is designed to permit outlet pressures within their full range. Pressure adjustment beyond this range is also possible because the knob is not a limiting device. This is a common characteristic of most industrial regulators, and limiting devices may be obtained only by special design. For best performance, regulated pressure should always be set by increasing the pressure up to the desired setting.

| |
|-----------------------------|
| Filters |
| Coalescers |
| Regulators |
| Filter / Regulators |
| Lubricators |
| Miniature / Inline Products |

R45 Regulators – Miniature

- Lightweight plastic body
- Unbalanced poppet standard
- Non-rising, push-to-lock adjusting knob
- Compact, 3.43 inch (87.1 mm) high by 2.06 inch (52.3 mm) wide
- Lightweight
- Diaphragm operated
- 1/4", 3/8" ports (NPT)



| Port Size | Description | Part Number |
|-----------|--|----------------|
| 1/4" | Relieving, 0-125 Reduced Pressure, without Gauge | R45-02C |
| 3/8" | Relieving, 0-125 Reduced Pressure, without Gauge | R45-03C |

NOTE: 1.250 Dia. (31.8 mm) hole required for panel mounting.

Operating information

| | |
|------------------------|---|
| Supply pressure (max): | Inlet 150 psig (10.0 bar) |
| Operating temperature: | 40°F to 125°F (4°C to 52°C) |
| Gauge ports (2): | 1/4 inch (can be used for full flow) |
| Weight: | 0.38 lb (0.17 kg) |

Ordering Information:

| | | | | | | | | | |
|---------------------|--|----------------------------|--|--------------------------------------|--|--|--|----------|--|
| R45 | | - | | 02 | | C | | | |
| Type | | Port Size | | Relief | | Pressure Range | | | |
| Buna Elastomers R45 | | 1/4 inch 02 3/8 inch 03 | | Blank Relieving P Panel Mount Nut | | A 0 to 25 psig (0 to 2 bar) B 0 to 60 psig (0 to 4 bar) C 0 to 125 psig (0 to 8 bar) | | | |

Most popular.



For inventory, lead times, and kit lookup, visit www.pdnplu.com

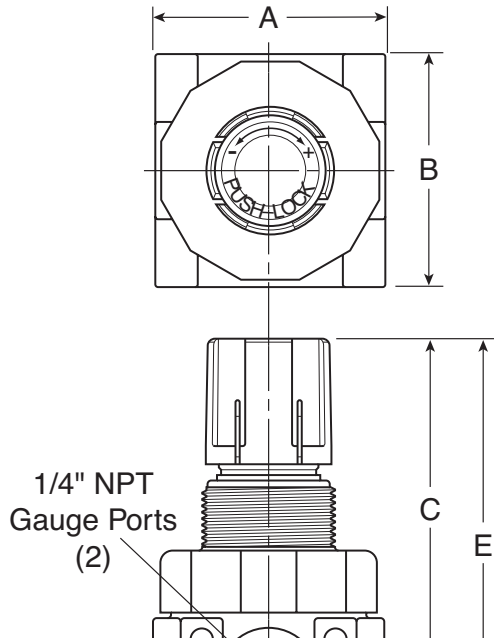
Miniature Regulators

Material Specifications

| | |
|-----------------|-----------------|
| Adjusting screw | Steel |
| Body | Acetal |
| Bonnet and seat | Acetal |
| Diaphragm | Buna N |
| Seals | Buna N |
| Springs | Stainless steel |
| Valve Poppet | Buna N |

Repair and Service Kits

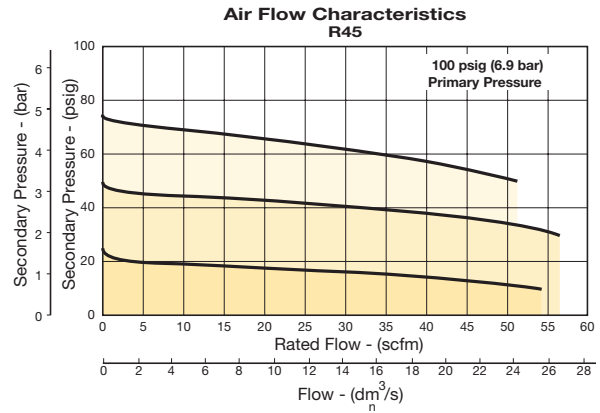
| | |
|---------------------------|-----------------|
| Panel mount nut, plastic | R05X51 |
| Panel mount nut, aluminum | R05X51-A |
| Mounting bracket and nut | SA161X57 |
| Relieving | RKR45Y |
| Non-Relieving | RKR45KY |
| 0-25 psig spring | SPR-46 |
| 0-60 psig spring | SPR-47 |
| 0-125 psig spring | SPR-48 |



Air Preparation Products Miniature / Inline

Flow Charts

R45 1/4" Regulator



WARNING

Product rupture can cause serious injury.
Do not connect regulator to bottled gas.
Do not exceed Maximum primary pressure rating.

CAUTION:

REGULATOR PRESSURE ADJUSTMENT – The working range of knob adjustment is designed to permit outlet pressures within their full range. Pressure adjustment beyond this range is also possible because the knob is not a limiting device. This is a common characteristic of most industrial regulators, and limiting devices may be obtained only by special design. For best performance, regulated pressure should always be set by increasing the pressure up to the desired setting.

Filters

Coalescers

Regulators

Filter /
Regulators

Lubricators

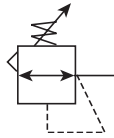


Miniature / Inline
Products



15R Regulators – Economy

- Solid control piston with resilient seat for service-free operation
- Non-rising “locking” adjusting knob
- Compact, 3.30 inch (84 mm) high by 2.12 inch (54 mm) wide
- Easily serviced
- 1/4", 3/8" ports (NPT)



| Port Size | Description | Part Number |
|-----------|---------------|-----------------|
| 1/4" | Without Gauge | 15R113FB |
| 1/4" | With Gauge | 15R118FB |
| 3/8" | Without Gauge | 15R213FB |
| 3/8" | With Gauge | 15R218FB |

NOTE: 1.218 Dia. (31 mm) hole required for panel mounting.

Operating information

| | | |
|---------------------------|-------------------------------|--------------------------------|
| Supply pressure (max): | 0 to 250 psig (0 to 17.2 bar) | |
| Secondary pressure ranges | Standard | 2 to 125 psig (0 to 8.6 bar) |
| | Medium | 1 to 60 psig (0 to 4.1 bar) |
| | Medium | 1 to 30 psig (0 to 1.7 bar) |
| | Low | 1 to 15 psig (0 to 1 bar) |
| Operating temperature: | 32°F to 125°F (0°C to 52°C) | |
| | Low temperature | -4°F to 125°F (-20°C to 52°C) |
| Flow capacity†: | High flow | 1/4" 21 scfm (9.9 dm³/s, ANR) |
| | | 3/8" 28 scfm (13.2 dm³/s, ANR) |
| Gauge ports (2): | 1/4 inch | |
| | (can be used at full flow) | |
| Weight: | 0.5 lb (0.23 kg) | |

† scfm = Standard cubic feet per minute at 100 psig inlet, 90 psig no flow secondary setting and 10 psig pressure drop.

Ordering Information:

| | | | | |
|------------------|----------|-----------------------|----------|--------------------------|
| 15R | 1 | 13 | F | B |
| Port Size | | | | Engineering Level |
| 1/4 inch | 1 | | | B |
| 3/8 inch | 2 | | | Current |
| | | Pressure Range | | Relief |
| | | Without Gauge | | F Relieving |
| | | 15 psig | 12 | G Non-Relieving |
| | | 30 psig | 10 | H Low Temp Relieving |
| | | 60 psig | 11 | J Low Temp Non-Relieving |
| | | 125 psig | 13 | |
| | | With Gauge | | |
| | | 15 psig | 17 | |
| | | 30 psig | 15 | |
| | | 60 psig | 16 | |
| | | 125 psig | 18 | |

Most popular.



For inventory, lead times, and kit lookup, visit www.pdnplu.com

Economy Regulators

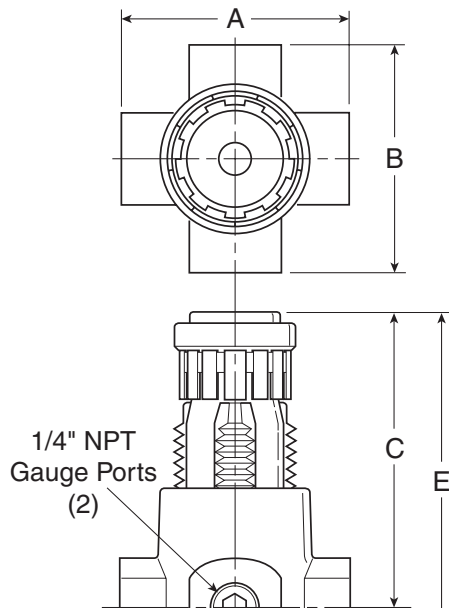
Material Specifications

| | |
|-------------------------------------|---------|
| Adjusting nut | Brass |
| Adjusting stem & spring | Steel |
| Body | Zinc |
| Bonnet, seat, piston & valve poppet | Plastic |
| Seals | Nitrile |

Repair and Service Kits

| | |
|--|--------------------|
| Body Service Kit – Unbalanced | PS424BP |
| Bonnet Assembly Kit | L01369 |
| 30 psig, 1/8" NPT (0 to 2.1 bar) gauge | K4515N18030 |
| 60 psig, 1/8" NPT (0 to 4.1 bar) gauge | K4515N18060 |
| 160 psig, 1/8" NPT (0 to 11.0 bar) gauge | K4515N18160 |
| 60 psig, 1/4" NPT (0 to 4.1 bar) gauge | K4520N14060 |
| 160 psig, 1/4" NPT (0 to 11.0 bar) gauge | K4520N14160 |
| Mounting bracket kit* (Includes panel mount nut) | PS417BP |
| Panel mount nuts*, plastic | P78652 |
| Panel mount nuts*, metal | P01531 |
| Poppet / piston kit, unbalanced, non-relieving | PS428P |
| Poppet / piston kit, unbalanced, relieving | PS426P |
| Seal, unbalanced | PS454B |
| 1-15 psig spring (yellow) | P01176 |
| 1-30 psig spring (black) | P01175 |
| 1-60 psig spring (white) | P01174 |
| 2-125 psig spring (gold) | P01173 |

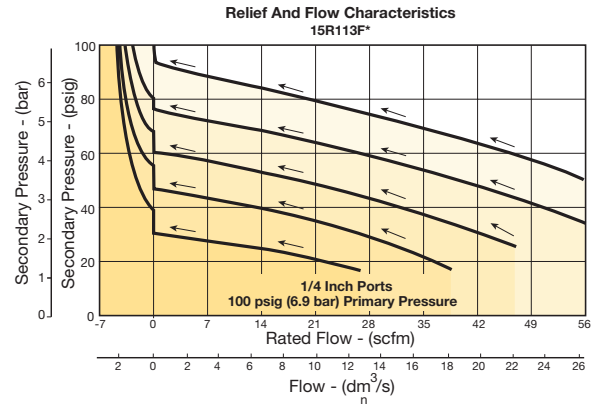
* Tighten panel mount nut 2.8 to 3.4 Nm (25 to 30 in-lbs) of torque.



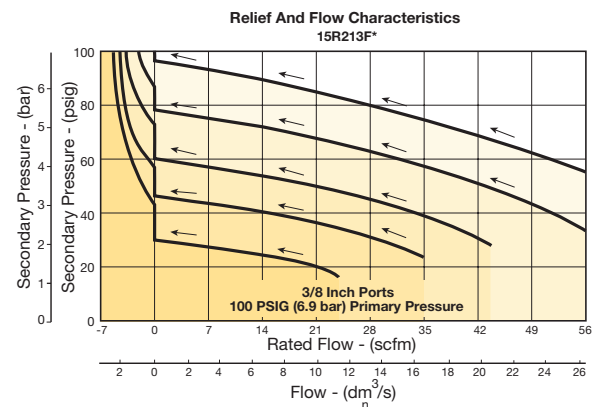
Air Preparation Products Miniature / Inline

Flow Charts

15R 1/4" Regulator



15R 3/8" Regulator



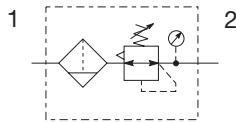
WARNING
Product rupture can cause serious injury.
Do not connect regulator to bottled gas.
Do not exceed Maximum primary pressure rating.

CAUTION:
REGULATOR PRESSURE ADJUSTMENT – The working range of knob adjustment is designed to permit outlet pressures within their full range. Pressure adjustment beyond this range is also possible because the knob is not a limiting device. This is a common characteristic of most industrial regulators, and limiting devices may be obtained only by special design. For best performance, regulated pressure should always be set by increasing the pressure up to the desired setting.

| |
|-----------------------------|
| Filters |
| Coalescers |
| Regulators |
| Filter / Regulators |
| Lubricators |
| Miniature / Inline Products |

P31 Filter / Regulators – Mini

- Integral 1/4" ports (NPT, BSPP & BSPT)
- High efficiency 5 micron element as standard
- Excellent water removal efficiency
- Robust but lightweight aluminum construction
- Positive bayonet latch to ensure correct & safe fitting
- Secondary pressure ranges
- Secondary aspiration plus balanced poppet provides quick response and accurate pressure regulation



| Port Size | Description (relieving) | Bowl / Drain Type | Part Number |
|-----------|-------------------------|-------------------|-----------------------|
| 1/4" | 125 psig (8 bar) | Poly / Manual | P31EB92EGMBN5P |
| 1/4" | 125 psig (8 bar) | Poly / Pulse | P31EB92EGBBN5P |
| 1/4" | 125 psig (8 bar) | Metal / Manual | P31EB92EMMBN5P |
| 1/4" | 125 psig (8 bar) | Metal / Pulse | P31EB92EMBBN5P |

Operating information

| | | |
|---------------------------|--------------|--------------------------------------|
| Flow capacity*: | 1/4 | 32 scfm (15 dm ³ /s, ANR) |
| Operating temperature‡: | Plastic bowl | 14°F to 125°F (-10°C to 52°C) |
| | Metal bowl | 14°F to 150°F (-10°C to 65.5°C) |
| Supply pressure (max): | Plastic bowl | 150 psig (10 bar) |
| | Metal bowl | 250 psig (17 bar) |
| Standard filtration | | 5 micron |
| Useful retention†: | | 0.4 US oz. (12 cm ³) |
| Adjusting range pressure: | | 0 to 30 psig (0 to 2 bar) |
| | | 0 to 60 psig (0 to 4 bar) |
| | | 0 to 125 psig (0 to 8 bar) |
| | | 0 to 250 psig (0 to 17 bar) |
| Gauge port (2 each)**: | | 1/8 NPT, BSPP, BSPT |
| Weight: | | 0.42 lb (0.19 kg) |

* Inlet pressure 145 psig (10 bar). Secondary pressure 91.3 psig (6.3 bar) and 14.5 psig (1 bar) pressure drop.

** Non-gauge option only.

‡ Units with square gauges: 5°F to 150°F (-15°C to 65.5°C)

† Useful retention refers to volume below the quiet zone baffle.

Air quality: Within ISO 8573-1: 1991 Class 3 (Particulates)
 Within ISO 8573-1: 2001 Class 6 (Particulates)

Ordering Information:

P31EB 9 2 E G M B N 5 P

| Basic Series Global Modular Mini Filter / Regulator P31EB | Thread Type BSPP 1 BSPT 2 NPT 9 | Element 5µ Element E | Port Size 1/4 2 | Bowl Type Poly Bowl With Bowl Guard G Metal Bowl Without Sight Gauge M | Drain Type Pulse Drain B Manual Drain M | Relief B Relieving N Non-Relieving | Adjustment N Non-Rising Knob | Mounting P Plastic Panel Mount Nut | | | | | | | | | | | | | | | | | | | | | | | | | | | | | | | | | | | | | | | | | | | | |
|--|---|--------------------------------|---------------------------|---|--|---|--|--|-------------------|--|------------------|--|------|-----|------------------|--|---------|--------|---|-------------------------|--------|-------|---|-------------------------|---------|-------|---|--------------------------|--|--|----------------|---------------------------|--|--|---------------|--|--|--|---|-------------------------|--|--|---|-------------------------|--|--|---|--------------------------|--|--|----------------|---------------------------|
| | | | | | | <table border="1"> <thead> <tr> <th colspan="2">With Square Gauge</th> <th colspan="2">Adjustment Range</th> </tr> <tr> <th>psig</th> <th>bar</th> <th colspan="2">With Round Gauge</th> </tr> </thead> <tbody> <tr> <td>1 = 30*</td> <td>V = 2*</td> <td>Z</td> <td>30 psig; 2 Bar; 0.2 MPa</td> </tr> <tr> <td>3 = 60</td> <td>S = 4</td> <td>M</td> <td>60 psig; 4 Bar; 0.4 MPa</td> </tr> <tr> <td>5 = 125</td> <td>T = 8</td> <td>G</td> <td>125 psig; 8 Bar; 0.8 MPa</td> </tr> <tr> <td></td> <td></td> <td>J[§]</td> <td>232 psig; 16 Bar; 1.6 MPa</td> </tr> <tr> <td colspan="2"></td> <th colspan="2">Without Gauge</th> </tr> <tr> <td></td> <td></td> <td>Y</td> <td>30 psig; 2 Bar; 0.2 MPa</td> </tr> <tr> <td></td> <td></td> <td>L</td> <td>60 psig; 4 Bar; 0.4 MPa</td> </tr> <tr> <td></td> <td></td> <td>N</td> <td>125 psig; 8 Bar; 0.8 MPa</td> </tr> <tr> <td></td> <td></td> <td>H[§]</td> <td>232 psig; 16 Bar; 1.6 MPa</td> </tr> </tbody> </table> | | | With Square Gauge | | Adjustment Range | | psig | bar | With Round Gauge | | 1 = 30* | V = 2* | Z | 30 psig; 2 Bar; 0.2 MPa | 3 = 60 | S = 4 | M | 60 psig; 4 Bar; 0.4 MPa | 5 = 125 | T = 8 | G | 125 psig; 8 Bar; 0.8 MPa | | | J [§] | 232 psig; 16 Bar; 1.6 MPa | | | Without Gauge | | | | Y | 30 psig; 2 Bar; 0.2 MPa | | | L | 60 psig; 4 Bar; 0.4 MPa | | | N | 125 psig; 8 Bar; 0.8 MPa | | | H [§] | 232 psig; 16 Bar; 1.6 MPa |
| With Square Gauge | | Adjustment Range | | | | | | | | | | | | | | | | | | | | | | | | | | | | | | | | | | | | | | | | | | | | | | | | | | |
| psig | bar | With Round Gauge | | | | | | | | | | | | | | | | | | | | | | | | | | | | | | | | | | | | | | | | | | | | | | | | | | |
| 1 = 30* | V = 2* | Z | 30 psig; 2 Bar; 0.2 MPa | | | | | | | | | | | | | | | | | | | | | | | | | | | | | | | | | | | | | | | | | | | | | | | | | |
| 3 = 60 | S = 4 | M | 60 psig; 4 Bar; 0.4 MPa | | | | | | | | | | | | | | | | | | | | | | | | | | | | | | | | | | | | | | | | | | | | | | | | | |
| 5 = 125 | T = 8 | G | 125 psig; 8 Bar; 0.8 MPa | | | | | | | | | | | | | | | | | | | | | | | | | | | | | | | | | | | | | | | | | | | | | | | | | |
| | | J [§] | 232 psig; 16 Bar; 1.6 MPa | | | | | | | | | | | | | | | | | | | | | | | | | | | | | | | | | | | | | | | | | | | | | | | | | |
| | | Without Gauge | | | | | | | | | | | | | | | | | | | | | | | | | | | | | | | | | | | | | | | | | | | | | | | | | | |
| | | Y | 30 psig; 2 Bar; 0.2 MPa | | | | | | | | | | | | | | | | | | | | | | | | | | | | | | | | | | | | | | | | | | | | | | | | | |
| | | L | 60 psig; 4 Bar; 0.4 MPa | | | | | | | | | | | | | | | | | | | | | | | | | | | | | | | | | | | | | | | | | | | | | | | | | |
| | | N | 125 psig; 8 Bar; 0.8 MPa | | | | | | | | | | | | | | | | | | | | | | | | | | | | | | | | | | | | | | | | | | | | | | | | | |
| | | H [§] | 232 psig; 16 Bar; 1.6 MPa | | | | | | | | | | | | | | | | | | | | | | | | | | | | | | | | | | | | | | | | | | | | | | | | | |

* Regulator comes with gauge respective to the adjustment range selected.
 § Not available with poly bowl with bowl guard.

☐ Most popular.



For inventory, lead times, and kit lookup, visit www.pdnplu.com

J30

Parker Hannifin Corporation
 Pneumatic Division
 Richland, Michigan
www.parker.com/pneumatics

Mini Filter / Regulators

Material Specifications

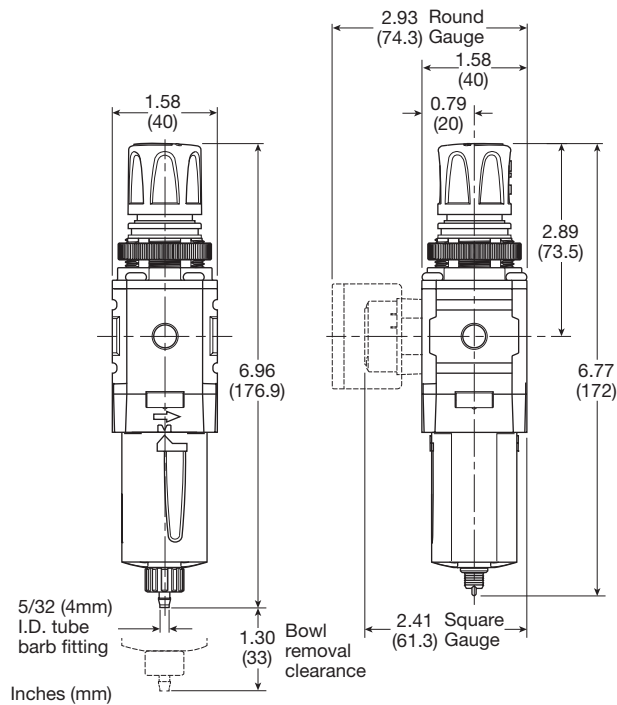
| | |
|--------------------|-----------------|
| Body | Aluminum |
| Adjustment knob | Acetal |
| Body cap | ABS |
| Bonnet | PBT |
| Plastic bowl | Polycarbonate |
| Metal bowl | Aluminum |
| Bowl guard | Nylon |
| Filter element | Polyethylene |
| Seals | Nitrile |
| Springs | Steel |
| Valve assembly | Brass / Nitrile |
| Diaphragm assembly | Brass / Nitrile |
| Panel nut | Acetal |

⚠ WARNING

**Product rupture can cause serious injury.
Do not connect regulator to bottled gas.
Do not exceed Maximum primary pressure rating.**

CAUTION:

REGULATOR PRESSURE ADJUSTMENT – The working range of knob adjustment is designed to permit outlet pressures within their full range. Pressure adjustment beyond this range is also possible because the knob is not a limiting device. This is a common characteristic of most industrial regulators, and limiting devices may be obtained only by special design. For best performance, regulated pressure should always be set by increasing the pressure up to the desired setting.



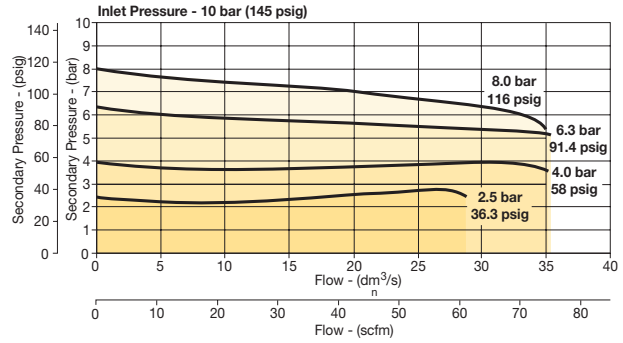
Manual Drain

Pulse Drain

Air Preparation Products Miniature / Inline

Flow Charts

P31 1/4 Filter / Regulator



Repair and Service Kits

| | |
|--|-------------------|
| Plastic bowl / bowl guard manual drain | P31KB00BGM |
| Plastic bowl / bowl guard pulse drain | P31KB00BGB |
| Metal bowl / w/o sight gauge pulse drain | P31KB00BMB |
| 5µ particle filter element | P31KA00ESE |
| Diaphragm repair kit - relieving | P31KB00RB |
| Diaphragm repair kit - non-relieving | P31KB00RC |
| Panel mount nut - aluminum | P31KA00MM |
| Panel mount nut - plastic | P31KA00MP |
| Angle bracket (attaches via panel nut) | P31KB00MR |
| C-bracket (fits to body) | P31KA00MW |
| T-bracket with body connector | P31KA00MT |
| Body connector | P31KA00CB |

Gauges

| | | |
|--------------------------|------------|--------------------|
| Square flush mount gauge | 0-4 bar | K4511SCR04B |
| | 0-11 bar | K4511SCR11B |
| | 0-60 psig | K4511SCR060 |
| | 0-160 psig | K4511SCR160 |

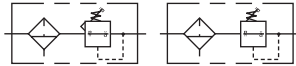
For best performance, regulated pressure should always be set by increasing the pressure up to the desired setting.



For inventory, lead times, and kit lookup, visit www.pdnplu.com

B34 Filter / Regulator – Miniature

- Excellent water removal efficiency
- Diaphragm operated for fast operation
- Large diaphragm to valve area for precise regulation and high flow capacity
- Balanced valve design for precise regulation
- Space saving package offers both filter and regulator features in one integral unit
- Non-rising adjustment knob
- 1/8", 1/4" ports (NPT, BSPP)



| Port Size | Description † | Part Number |
|-----------|-------------------------|-------------------|
| 1/8" | Poly Bowl, Twist Drain | B344-01AGC |
| 1/8" | Metal Bowl, Twist Drain | B344-01DGC |
| 1/4" | Poly Bowl, Twist Drain | B344-02AGC |
| 1/4" | Metal Bowl, Twist Drain | B344-02DGC |

† For polycarbonate bowl, see caution in Engineering Section A.
NOTE: 1.218 Dia. (31 mm) hole required for panel mounting.

Operating information

| | | |
|--|-----------|-------------------------------------|
| Supply pressure (max): | | |
| Zinc bowl (D) | | 0 to 300 psig (0 to 20.7 bar) |
| Poly bowl (A) | | 0 to 150 psig (0 to 10.3 bar) |
| Operating temperature: | | 40°F to 150°F (4.4°C to 52°C) |
| Reduced pressure range: | | |
| | | 0 to 25 psig (0 to 1.7 bar) |
| | | 0 to 60 psig (0 to 4.1 bar) |
| | | 2 to 125 psig (0.15 to 8.5 bar) |
| Flow capacity†: | | |
| High flow | 1/8" | 17 scfm (8 dm ³ /s, ANR) |
| | 1/4" | 19 scfm (9 dm ³ /s, ANR) |
| Bowl capacity: | | 1 oz. |
| Weight: | | |
| | Zinc bowl | 0.6 lb (0.27 kg) |
| | Poly bowl | 0.3 lb (0.14 kg) |
| † scfm = Standard cubic feet per minute at 100 psig inlet and 75 psig no flow secondary setting and 25% pressure drop. | | |
| () Bowl type | | |

Ordering Information:

B34 4 - 02 A G C

| Number of Ports | |
|-----------------|---|
| 2 Ports | 2 |
| 4 Ports | 4 |

| Port Type | |
|-----------|---|
| NPT | - |
| BSPP | G |

| Port Size | |
|-----------|----|
| 1/8 inch | 01 |
| 1/4 inch | 02 |

| Element | |
|---------------------------|---|
| Polycarbonate Bowl | A |
| Metal Without Sight Gauge | D |

| Element | |
|---------|--------|
| 5 | Micron |

| Options | |
|---------|-----------------------|
| Blank | None |
| G | Gauge |
| K | Non-Relieving |
| P | Panel Mount (plastic) |
| S | Auto Pulse Drain |

| Reduced Pressure Range | |
|------------------------|------------|
| A | 0-25 psig |
| B | 0-60 psig |
| C | 0-125 psig |

Most popular.



For inventory, lead times, and kit lookup, visit www.pdnplu.com

Miniature Filter / Regulators

Material Specifications

| | |
|--------------------------------------|-----------------------|
| Adjusting Knob | Acetal |
| Body | Aluminum |
| Polycarbonate bowl (A) | Polycarbonate |
| Metal bowl (D) | Zinc |
| Elastomers | Buna N |
| Filter Element | Sintered polyethylene |
| Filter retainer, vane plate | Acetal |
| Innervalve, diaphragm, button, drain | Brass |

Repair and Service Kits

| | |
|--|-----------------------|
| Adjusting knob | RRP-16-005-000 |
| Zinc bowl (D) | BK505Y |
| Zinc bowl with auto pulse drain (D) | BK505SY |
| Polycarbonate bowl (A) | BK504Y |
| Polycarbonate bowl with auto pulse drain (A) | BK504SY |
| Automatic pulse drain (Maximum pressure = 175 psig) | RK504SY |
| 5 micron element (All) | FRP-96-729 |
| 1-1/2" dial size, 1/8" back connection 0 to 60 psig (0 to 400 kPa), gauge | K4515N18060 |
| 1-1/2" dial size, 1/8" back connection 0 to 160 psig (0 to 1100 kPa), gauge | K4515N18160 |
| Mounting bracket kit (includes plastic panel nut) | SA161X57 |
| Panel mount nut, plastic | R05X51-P |
| Panel mount nut, aluminum | R05X51-A |
| Non-relieving diaphragm, valve assembly (All) | GRP-96-726 |
| Relieving diaphragm, valve assembly (All) | GRP-96-725 |
| 0-25 psig gauge | GRP-95-111 |
| 0-60 psig gauge | GRP-96-718 |
| 0-125 psig gauge | GRP-96-717 |

WARNING

**Product rupture can cause serious injury.
Do not connect regulator to bottled gas.
Do not exceed Maximum primary pressure rating.**

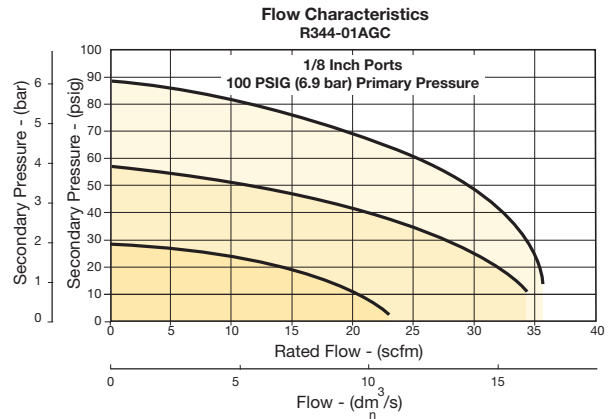
CAUTION:

REGULATOR PRESSURE ADJUSTMENT – The working range of knob adjustment is designed to permit outlet pressures within their full range. Pressure adjustment beyond this range is also possible because the knob is not a limiting device. This is a common characteristic of most industrial regulators, and limiting devices may be obtained only by special design. For best performance, regulated pressure should always be set by increasing the pressure up to the desired setting.

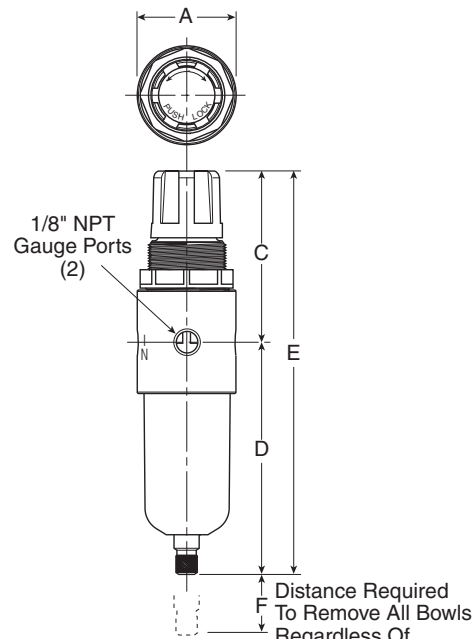
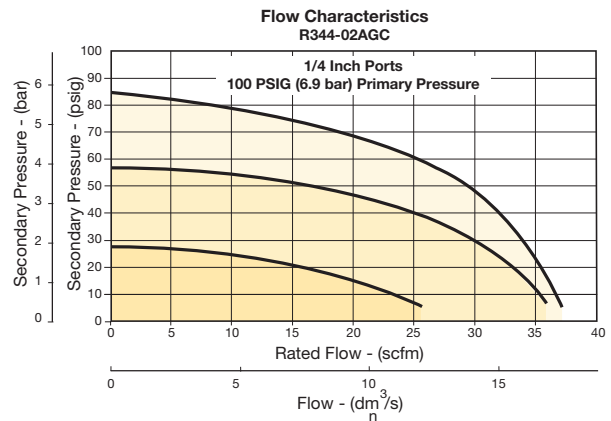
Air Preparation Products Miniature / Inline

Flow Charts

B34 1/8" Filter / Regulator



B34 1/4" Filter / Regulator



14E Filter / Regulator – Miniature

- Excellent water removal efficiency
- Unbalanced poppet standard
- Solid control piston for extended life
- Space saving package offers both filter and regulator features in one integral unit
- Non-rising adjustment knob
- Two full flow 1/8" gauge ports
- 1/8", 1/4" ports (NPT, BSPP, BSPT)



| Port Size | Description † | Part Number |
|-----------|------------------------------|-------------------|
| 1/8" | Poly Bowl, Twist Drain | 14E01B13FC |
| 1/8" | Metal Bowl, Twist Drain | 14E03B13FC |
| 1/8" | Poly Bowl, Auto Pulse Drain | 14E05B13FC |
| 1/8" | Metal Bowl, Auto Pulse Drain | 14E07B13FC |
| 1/4" | Poly Bowl, Twist Drain | 14E11B13FC |
| 1/4" | Metal Bowl, Twist Drain | 14E13B13FC |
| 1/4" | Poly Bowl, Auto Pulse Drain | 14E15B13FC |
| 1/4" | Metal Bowl, Auto Pulse Drain | 14E17B13FC |

† For polycarbonate bowl, see caution in Engineering Section A.

NOTE: 1.218 Dia. (31 mm) hole required for panel mounting.

Operating information

| | | |
|----------------------------|------|---|
| Supply pressure (max): | | |
| Plastic bowl | | 0 to 150 psig (0 to 10.3 bar) |
| Metal bowl | | 0 to 250 psig (0 to 17.2 bar) |
| Secondary pressure ranges | | |
| Standard | | 2 to 125 psig (0 to 8.6 bar) |
| Medium | | 1 to 30 psig (0 to 2.1 bar) |
| Medium | | 1 to 60 psig (0 to 4.1 bar) |
| Low | | 1 to 15 psig (0 to 1 bar) |
| Operating temperature: | | |
| Plastic bowl | | 32°F to 125°F (0°C to 52°C) |
| Metal bowl | | 32°F to 175°F (0°C to 80°C) |
| Flow capacity†: | | |
| High flow | 1/8" | 16 scfm (7.6 dm ³ /s, ANR) |
| | 1/4" | 18 scfm (8.5 dm ³ /s, ANR) |
| Bowl capacity: | | 1 oz. |
| Auto pulse drain tube barb | | 1/8 inch |
| Gauge ports (2): | | 1/8 inch (can be used as additional full flow) |
| Weight: | | 0.4 lb (0.18 kg) |

† scfm = Standard cubic feet per minute at 100 psig inlet and 10 psig pressure drop.

Ordering Information:

| | | | | | | | | | |
|------------|----------|----------|----------|-----------|----------|----------|--|--|--|
| 14E | 1 | 1 | B | 13 | F | C | | | |
|------------|----------|----------|----------|-----------|----------|----------|--|--|--|

Port Size

| | |
|----------|---|
| 1/8 inch | 0 |
| 1/4 inch | 1 |

Engineering Level

| | |
|---|---------|
| C | Current |
|---|---------|

Preset / Pressure Limited

| | |
|-------|------------------|
| Blank | None |
| XXX* | Preset Pressure |
| XXX* | Pressure Limited |

* Available preset / pressure limited range, 10 to 90 psig in 5 psig increments. For higher pressures, contact factory. (Example: 065 = 65 psig)

Bowl Options

| | |
|------------------------------|---|
| Poly Bowl, Twist Drain | 1 |
| Poly Bowl, Auto Pulse Drain | 5 |
| Metal Bowl, Twist Drain | 3 |
| Metal Bowl, Auto Pulse Drain | 7 |

Relief

| | |
|----|---------------------|
| F | Relieving |
| G | Non-Relieving |
| H* | Low Temp. Relieving |

* Twist drain only.

Port Type

| | |
|-------|------|
| Blank | NPT |
| 1 | BSPP |
| 2 | BSPT |

Element

| | |
|-----------|---|
| 40 Micron | A |
| 5 Micron | B |
| Adsorber | Z |

Pressure Range

| Without Gauge | | With Gauge* | |
|---------------|----|-------------|----|
| 30 psig | 10 | 30 psig | 15 |
| 60 psig | 11 | 60 psig | 16 |
| 15 psig | 12 | 15 psig | 17 |
| 125 psig | 13 | 125 psig | 18 |

* Not available with BSPP or BSPT port types.

Options

| | |
|-------|--------------------------------------|
| Blank | No options |
| L † | Preset Non-Adjustable |
| P † | Preset Adjustable |
| S † | Pressure Limiter Max. Adjustable |
| T † | Pressure Limiter Max. Non-Adjustable |

† Inlet pressure is 100 psig. For other pressures contact factory.

Spring Type by Preset / Limited Pressure:

For Preset / Limited Pressure 10 to 25 use 30 psi spring

For Preset / Limited Pressure 26 to 50 use 60 psi spring

For Preset / Limited Pressure 51 to 90 use 125 psi spring

Most popular.



For inventory, lead times, and kit lookup, visit www.pdnplu.com

Miniature Filter / Regulators

Material Specifications

| | |
|---|--------------------|
| Adjusting nut | Brass |
| Adjusting stem & spring | Steel |
| Body | Zinc |
| Bonnet, knob, seat, piston, holder & deflector | Plastic |
| Transparent bowl | Polycarbonate |
| Metal bowl (without sight gauge) | Zinc |
| Twist drain, body & stem | Plastic |
| Twist drain, seals | Nitrile |
| Auto pulse drain, piston & seals | Nitrile |
| Auto pulse drain, stem, seat, adaptor & washers | Aluminum |
| 5 Micron elements (standard) | Plastic |
| 40 Micron elements (optional) | Plastic |
| Adsorber elements (optional) | Activated charcoal |
| Seals | Nitrile |

Repair and Service Kits

| | |
|--|--------------------|
| Bonnet tamperproof kit | P01265 |
| Poly bowl / auto drain | PS408BP |
| Poly bowl / twist drain | PS404P |
| Metal bowl / auto drain | PS451BP |
| Metal bowl / twist drain | PS447BP |
| 40 micron element | PS401P |
| 5 micron element | PS403P |
| Adsorber element | PS452P |
| 30 psig (0 to 2.1 bar), gauge | K4515N18030 |
| 60 psig (0 to 4.1 bar) | K4515N18060 |
| 160 psig (0 to 11.0 bar) element | K4515N18160 |
| Mounting bracket kit* (includes panel mount nut) | PS417BP |
| Panel mount nut* | P78652 |
| Unbalanced, non-relieving | PS428P |
| Unbalanced, relieving | PS426P |
| 1- 15 psig spring (yellow) | P01176 |
| 1- 30 psig spring (black) | P01175 |
| 1- 60 psig spring (white) | P01174 |
| 2- 125 psig spring (gold) | P01173 |

*Tighten panel mount nut 2.8 to 3.4 Nm (25 to 30 in-lbs) of torque.

WARNING

**Product rupture can cause serious injury.
Do not connect regulator to bottled gas.
Do not exceed Maximum primary pressure rating.**

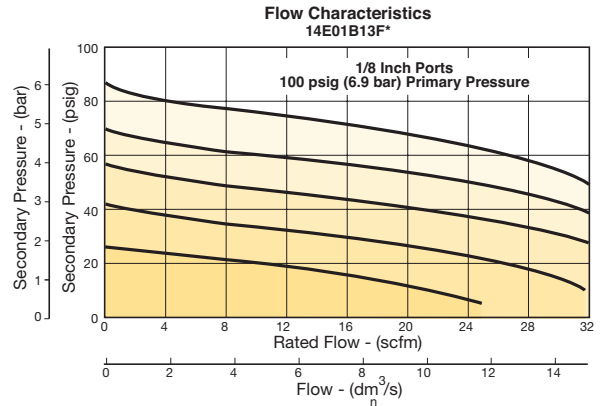
CAUTION:

REGULATOR PRESSURE ADJUSTMENT – The working range of knob adjustment is designed to permit outlet pressures within their full range. Pressure adjustment beyond this range is also possible because the knob is not a limiting device. This is a common characteristic of most industrial regulators, and limiting devices may be obtained only by special design. For best performance, regulated pressure should always be set by increasing the pressure up to the desired setting.

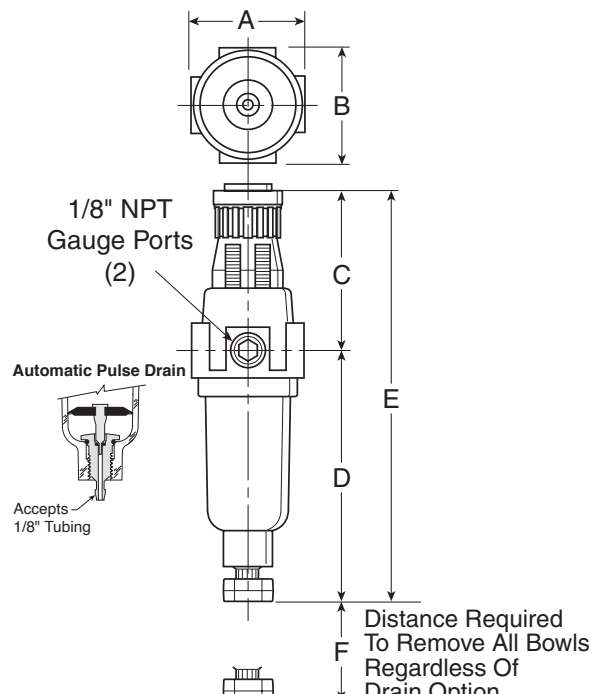
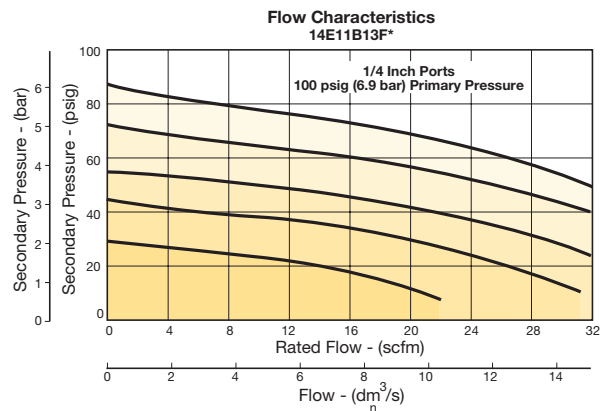
Air Preparation Products Miniature / Inline

Flow Charts

14E 1/8" Filter / Regulator



14E 1/4" Filter / Regulator



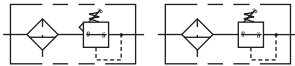
| |
|-----------------------------|
| Filters |
| Coalescers |
| Regulators |
| Filter / Regulators |
| Lubricators |
| Miniature / Inline Products |



For inventory, lead times, and kit lookup, visit www.pdnplu.com

05E Filter / Regulator – Economy

- Space saving package offers both filter and regulator features for optimal performance
- Excellent water removal efficiency
- Rolling diaphragm for extended life
- Removable non-rising knob for tamper resistance
- Quick response, and accurate pressure regulation regardless of changing flow or inlet pressure
- 40 micron filter element standard
- 1/4", 3/8" ports (NPT)



| Port Size | Description ‡ | Part Number |
|-----------|--|-------------------|
| 1/4" | Poly Bowl, Metal Guard, Twist Drain | 05E12A13AB |
| 1/4" | Poly Bowl, Metal Guard, Auto Pulse Drain | 05E1PA13AB |
| 3/8" | Poly Bowl, Metal Guard, Twist Drain | 05E22A13AB |
| 3/8" | Poly Bowl, Metal Guard, Auto Pulse Drain | 05E2PA13AB |

‡ For polycarbonate bowl, see caution in Engineering Section A.
NOTE: 1.53 Dia. (39 mm) hole required for panel mounting.

Operating information

| | | | |
|-----------------------------|-----------|--------------|--|
| Supply pressure (max): | | Plastic bowl | 0 to 150 psig (0 to 10.3 bar) |
| | | Metal bowl | 0 to 250 psig (0 to 17.2 bar) |
| Operating temperature: | | Plastic bowl | 32°F to 125°F (0°C to 52°C) |
| | | Metal bowl | 32°F to 175°F (0°C to 80°C) |
| Flow capacity†: | | | |
| | High flow | 1/4" | 30 scfm (14.2 dm ³ /s, ANR) |
| | | 3/8" | 40 scfm (18.9 dm ³ /s, ANR) |
| Bowl capacity: | | | 2 oz. |
| Auto pulse drain tube barb: | | | 1/8 inch |
| Gauge ports (2): | | | 1/4 inch |
| Sump capacity: | | | 0.9 oz. |
| Weight: | | | 1.35 lb (0.6 kg) |

† scfm = Standard cubic feet per minute at 100 psig inlet, 90 psig no flow secondary setting and 10 psig pressure drop.

Ordering Information:

| | | | | | | | |
|---|----------|----------|----------------|-----------|-----------------------|--------------------------|------------------|
| 05E | 1 | 2 | A | 13 | A | B | |
| Port Size | 1 | 2 | | | | Engineering Level | |
| 1/4 inch | 1 | 2 | | | | B | Current |
| 3/8 inch | | | | | | | |
| Bowl Options | | | | | | Relief | |
| Poly Bowl, Metal Bowl Guard, Twist Drain | | 2 | | | | A | Relieving |
| Poly Bowl, Metal Bowl Guard, Auto Pulse Drain | | P | | | | | |
| | | | Element | | | | Port Type |
| | | | 40 Micron | A | | | Blank |
| | | | | | | | NPT |
| | | | | | Pressure Range | | |
| | | | | | Without Gauge | With Gauge* | |
| | | | | | 11 60 psig | 16 60 psig | |
| | | | | | 13 125 psig | 18 125 psig | |

* Includes 1-1/2" dial face gauge.

Most popular.



For inventory, lead times, and kit lookup, visit www.pdnplu.com

Material Specifications

| | |
|------------------------------|--------------------|
| Adjusting stem | Steel |
| Body | Zinc |
| Bonnet, internal parts | Plastic |
| Transparent bowl | Polycarbonate |
| Bowl guard | Steel |
| Collar | Plastic |
| Diaphragm | Nitrile |
| Drain | Plastic |
| 40 micron element (standard) | Plastic |
| 5 micron element (optional) | Plastic |
| Adsorber element (optional) | Activated charcoal |
| Knob | Plastic |
| Seals | Nitrile |
| Sight gauge | Polyamide (nylon) |
| Springs, poppet & control | Steel |

Repair and Service Kits

| | |
|--|--------------------|
| Bowl guard kit | PS905P |
| Poly bowl, automatic pulse drain | PS995P |
| Poly bowl, twist drain | PS932P |
| Auto pulse drain | PS998P |
| Twist drain | PS512P |
| 40 micron element | PS901P |
| 5 micron element | PS902P |
| Adsorber element | PS931P |
| Sight gauge kit | PS914P |
| 1-1/2" dial face 30 psig (0 to 2.1 bar), gauge | K4515N14030 |
| 1-1/2" dial face 60 psig (0 to 4.1 bar), gauge | K4515N14060 |
| 1-1/2" dial face 160 psig (0 to 11.0 bar), gauge | K4515N14160 |
| 1-1/2" dial face 300 psig (0 to 20.7 bar), gauge | K4515N14300 |
| 2" dial face 60 psig (0 to 4.1 bar), gauge | K4520N14060 |
| 2" dial face 160 psig (0 to 11.0 bar), gauge | K4520N14160 |
| 2" dial face 300 psig (0 to 20.7 bar), gauge | K4520N14300 |
| Mounting bracket kit (includes panel mount nut) | PS963P |
| Panel mount nut – metal | PS964P |
| 1-30 psig spring | P04427 |
| 1-60 psig spring | P04426 |
| 2-125 psig spring | P04425 |
| 2-200 psig spring | P02934 |
| Relieving service kit | PS908P |
| Bonnet assembly kit | PS915P |

WARNING

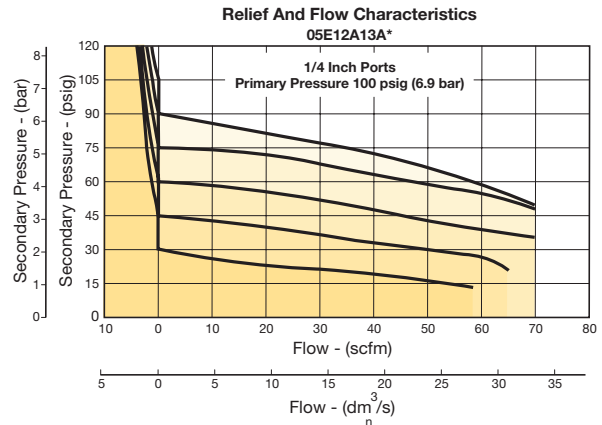
Product rupture can cause serious injury. Do not connect regulator to bottled gas. Do not exceed Maximum primary pressure rating.

CAUTION:

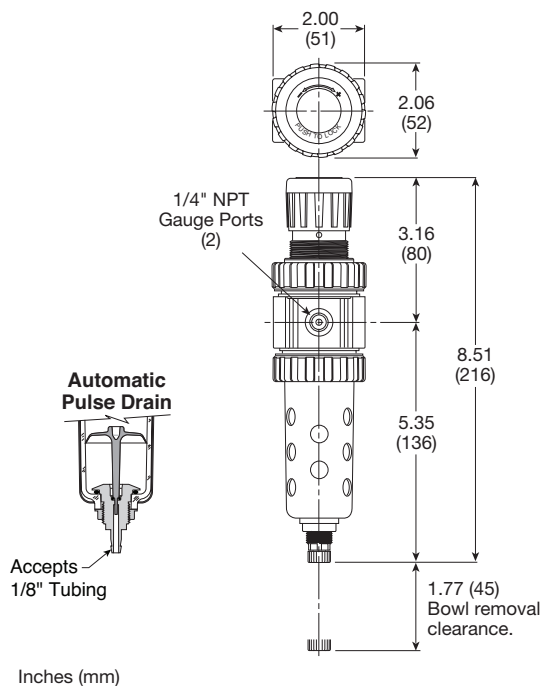
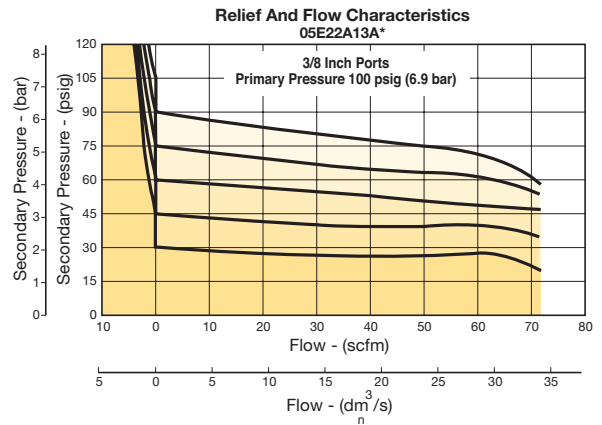
REGULATOR PRESSURE ADJUSTMENT – The working range of knob adjustment is designed to permit outlet pressures within their full range. Pressure adjustment beyond this range is also possible because the knob is not a limiting device. This is a common characteristic of most industrial regulators, and limiting devices may be obtained only by special design. For best performance, regulated pressure should always be set by increasing the pressure up to the desired setting.

Flow Charts

05E 1/4" Filter / Regulator



05E 3/8" Filter / Regulator

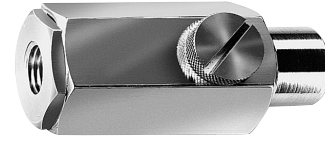


For inventory, lead times, and kit lookup, visit www.pdnplu.com

Filters
Coalescers
Regulators
Filter / Regulators
Lubricators
Miniature / Inline Products

02L Lubricator – Miniature

- Extends the service life of air operated hand tools
- Reduces downtime of air operated equipment, saves money
- Small / lightweight
- Automatic lubrication with air tool operation
- Adjustable oil flow
- Corrosion resistant
- Full swivel outlet port
- Integral 1/4", 3/8" ports (NPT, BSPT)



Application

In-Line Lubricators assure proper lubrication for small pneumatic hand tools. These in-line lubricators put the oil source right at the tool. Oil capacity is 1/4 oz. (1 ml), enough to last through an average 8-hour shift. This lubricator requires cyclical or intermittent airflow for proper operation, and consequently works best when installed at the tool inlet or on a short hose near the tool. The 02L cannot be filled under pressure.

Operating information

| | | |
|--|---------------------------------|--|
| Supply pressure (max): | 200 psig (13.8 bar) | |
| Operating temperature: | 32°F to 150°F (0°C to 65.6°C) | |
| Flow capacity†: | | |
| High flow | 1/4" | 29 scfm (13.6 dm ³ /s, ANR) |
| | 3/8" | 30 scfm (14.2 dm ³ /s, ANR) |
| Oil capacity: | 0.25 oz. (7.4 cm ³) | |
| Weight: | 0.2 lb (0.1 kg) | |
| † scfm = Standard cubic feet per minute at 90 psig inlet and 5 psig pressure drop. | | |

| Port Size | Description | Part Number |
|-----------|--|--------------|
| 1/4" | Female Threads Inlet / Female Threads Outlet | 02LFB |
| 1/4" | Female Threads Inlet / Male Threads Outlet | 02L1B |
| 3/8" | Female Threads Inlet / Male Threads Outlet | 02L2B |

Most popular.



For inventory, lead times, and kit lookup, visit www.pdnplu.com

Filters

Coalescers

Regulators

Filter / Regulators

Lubricators

Miniature / Inline Products

Miniature Mist Lubricators

Material Specifications

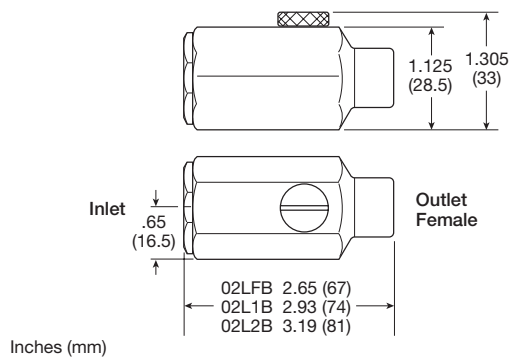
| | |
|-------|----------|
| Body | Aluminum |
| Seals | Nitrile |

Suggested LubricantF442 Oil

Petroleum based oil of 100 to 200 SUS viscosity at 100°F (38°C) and an aniline point greater than 200°F (93°C)
 (DO NOT USE OILS WITH ADDITIVES, COMPOUNDED OILS CONTAINING SOLVENTS, GRAPHITE, DETERGENTS, OR SYNTHETIC OILS.)

Replacement Kits

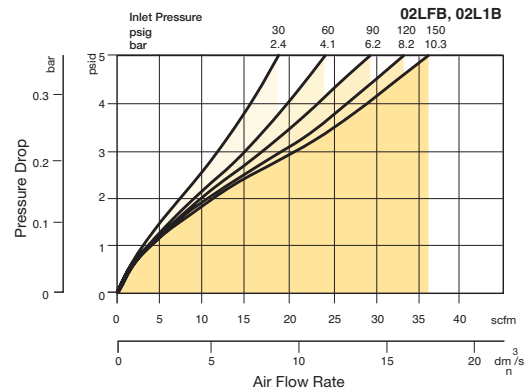
| | |
|---|--------------|
| Fill plug kit, brass fill plug and o-ring | PS434 |
| O-ring repair kit | PS435 |



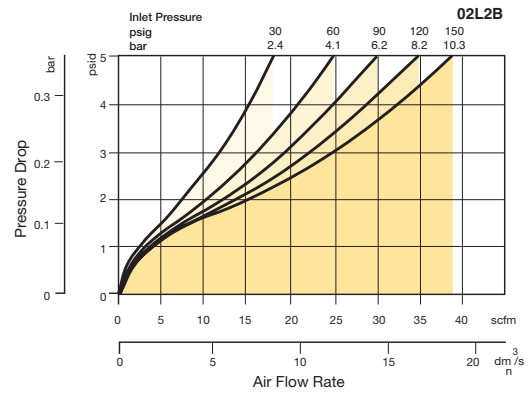
Air Preparation Products Miniature / Inline

Flow Charts

02L 1/4" In-Line Lubricator



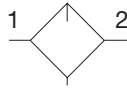
02L 3/8" In-Line Lubricator



| |
|-----------------------------|
| Filters |
| Coalescers |
| Regulators |
| Filter / Regulators |
| Lubricators |
| Miniature / Inline Products |

P31 Lubricators – Mini

- Integral 1/4" ports (NPT, BSPP & BSPT)
- Robust but lightweight aluminum construction
- Proportional oil delivery over a wide range of air flows
- Finger tip ratchet control for precise oil drip rate adjustment



Lubricator with drain

| Port Size | Description | Part Number |
|-----------|-----------------------|--------------------|
| 1/4" | Poly Bowl - No Drain | P31LB92LGNN |
| 1/4" | Metal Bowl - No Drain | P31LB92LMNN |

Operating information

Flow capacity*:
 1/4 40 scfm (19 dm³/s, ANR)

Operating temperature:
 Plastic bowl 14°F to 125°F (-10°C to 52°C)
 Metal bowl 14°F to 150°F (-10°C to 65.5°C)

Supply pressure (max):
 Plastic bowl 150 psig (10 bar)
 Metal bowl 250 psig (17 bar)

Bowl capacity: 0.6 US oz. (18 cm³)

Weight: 0.29 lb (0.13 kg)

* Inlet pressure 91.3 psig (6.3 bar). Pressure drop 4.9 psig (0.34 bar).

Ordering Information:

P31LB 9 2 L G N N

| | | | | | | |
|--|---|---------------------------|--|---------------------------------|--|---|
| Basic Series Global Modular Mini Lubricator | Thread Type BSPP 1 BSPT 2 NPT 9 | Port Size 1/4 2 | Lube Type Oil Mist Standard Sight Dome L | Mounting N No Bracket | Drain Type N No Drain Closed End | Bowl Type G Poly Bowl With Bowl Guard M Metal Bowl Without Sight Gauge |
|--|---|---------------------------|--|---------------------------------|--|---|

Suggested LubricantF442 Oil

Petroleum based oil of 100 to 200 SUS viscosity at 100°F (38°C) and an aniline point greater than 200°F (93°C)
 (DO NOT USE OILS WITH ADDITIVES, COMPOUNDED OILS CONTAINING SOLVENTS, GRAPHITE, DETERGENTS, OR SYNTHETIC OILS.)

Most popular.



For inventory, lead times, and kit lookup, visit www.pdnplu.com

Material Specifications

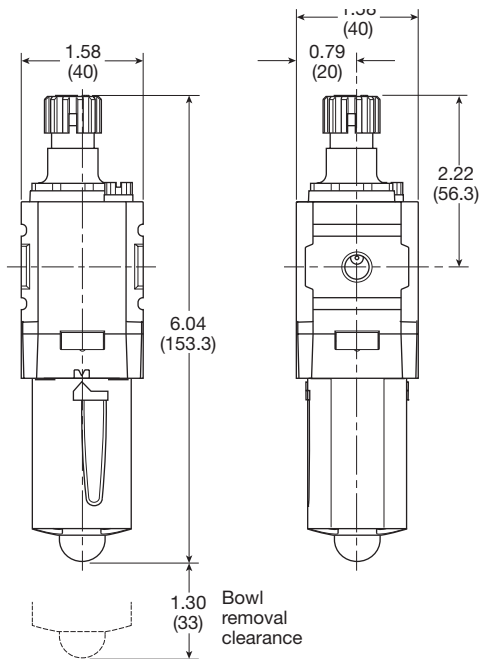
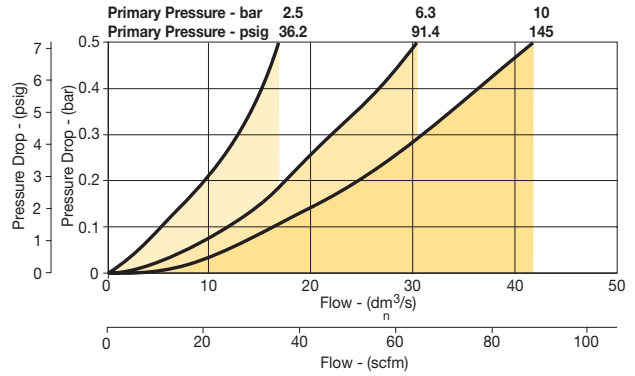
| | |
|---------------------|-----------------|
| Body | Aluminum |
| Body cap | ABS |
| Plastic bowl | Polycarbonate |
| Metal bowl | Aluminum |
| Seals | Nitrile |
| Sight dome | Polycarbonate |
| Suggested lubricant | ISO / ASTM VG32 |
| Pick-up filter | Sintered bronze |

Repair and Service Kits

| | |
|---------------------------------------|-------------------|
| Plastic bowl / bowl guard no drain | P31KB00BGN |
| Metal bowl / w/o sight gauge no drain | P31KB00BMN |
| Drip control assembly | P32KA00PG |
| Fill plug | P31KA00PL |
| C-bracket (fits to body) | P31KA00MW |
| T-bracket with body connector | P31KA00MT |
| Body connector | P31KA00CB |
| Oil (1 quart) | F442001 |
| Oil (1 gallon) | F442002 |
| Oil (12 quart case) | F442003 |
| Oil (4 gallon case) | F442005 |

Flow Charts

P31LB 1/4" Lubricator



Inches (mm)

| |
|-----------------------------|
| Filters |
| Coalescers |
| Regulators |
| Filter / Regulators |
| Lubricators |
| Miniature / Inline Products |

04L Mist Lubricators – Miniature

- Proportional oil delivery over a wide range of air flows
- Precision needle valve assures repeatable oil delivery and provides simple adjustment of delivery rate
- Ideal for low and high flow applications with changing air flow
- Transparent sight dome for 360° visibility
- Integral 1/8", 1/4" ports (NPT, BSPP, BSPT)



| Port Size | Description ‡ | Part Number |
|-----------|-----------------------------------|----------------|
| 1/8" | Poly Bowl, No Drain | 04L00GB |
| 1/8" | Metal Bowl, No Gauge, Twist Drain | 04L03GB |
| 1/4" | Poly Bowl, No Drain | 04L10GB |
| 1/4" | Metal Bowl, No Gauge, Twist Drain | 04L13GB |

‡ For polycarbonate bowl and sight dome, see caution in Engineering Section A.

Operating information

| | | |
|--|------|--|
| Supply pressure (max): | | |
| Plastic bowl | | 150 psig (10.3 bar) |
| Metal bowl | | 250 psig (17.2 bar) |
| Operating temperature: | | |
| Plastic bowl | | 32°F to 125°F (0°C to 52°C) |
| Metal bowl | | 32°F to 175°F (0°C to 80°C) |
| Flow capacity†: | | |
| High flow | 1/8" | 20 scfm (9.4 dm³/s, ANR) |
| | 1/4" | 20 scfm (9.4 dm³/s, ANR) |
| Minimum flow | | 0.5 scfm (0.24 dm³/s, ANR) at 100 psig (6.9 bar) |
| Bowl capacity: | | 1 oz. |
| Weight: | | 0.4 lb (0.18 kg) |
| † scfm = Standard cubic feet per minute at 90 psig inlet and 5 psig pressure drop. | | |

Ordering Information:

| | | | | | |
|------------------|----------|-------------------------|----------|--------------------------|------------------|
| 04L | 1 | 0 | G | B | |
| Port Size | | | | | Port Type |
| 1/8 inch | 0 | | | | Blank NPT |
| 1/4 inch | 1 | | | | 1 BSPP |
| | | | | | 2 BSPT |
| | | Bowl Options | | Engineering Level | |
| | | Poly Bowl, No Drain | 0 | B | Current |
| | | Poly Bowl, Twist Drain | 1 | | |
| | | Metal Bowl, Twist Drain | 3 | | |
| | | | | Body | |
| | | | | G | No Fill Plug |

Suggested Lubricant **F442 Oil**

Petroleum based oil of 100 to 200 SUS viscosity at 100°F (38°C) and an aniline point greater than 200°F (93°C)
(DO NOT USE OILS WITH ADDITIVES, COMPOUNDED OILS CONTAINING SOLVENTS, GRAPHITE, DETERGENTS, OR SYNTHETIC OILS.)

Most popular.



For inventory, lead times, and kit lookup, visit www.pdnplu.com

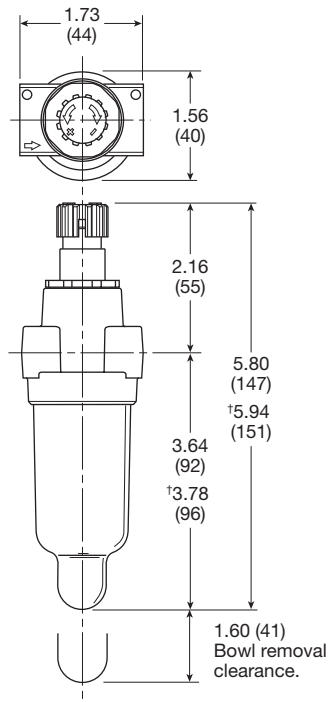
Miniature Mist Lubricators

Material Specifications

| | |
|----------------------------------|---------------|
| Body | Zinc |
| Transparent bowls | Polycarbonate |
| Metal bowl (without sight gauge) | Zinc |
| Drains, twist – body & nut | Plastic |
| Seals | Nitrile |
| Sight dome | Polycarbonate |

Repair and Service Kits

| | |
|---|----------------|
| Poly bowl / no drain kit | PS421P |
| Poly bowl / twist drain kit | PS420P |
| Metal bowl / twist drain (no sight gauge) kit | PS447BP |
| Mounting bracket kit | PS419 |
| Oil (1 quart) | F442001 |
| Oil (1 gallon) | F442002 |
| Oil (12 quart case) | F442003 |
| Oil (4 gallon case) | F442005 |

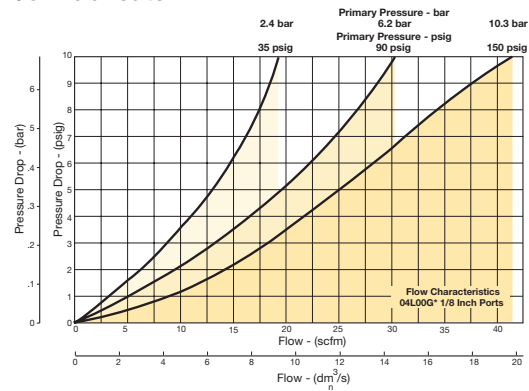


Inches (mm)

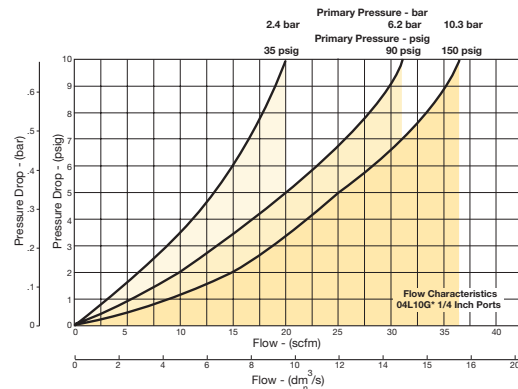
Air Preparation Products Miniature / Inline

Flow Charts

04L 1/8" Lubricator



04L 1/4" Lubricator



Filters

Coalescers

Regulators

Filter /
Regulators

Lubricators

Miniature / Inline
Products

J
Miniature / Inline
Products



For inventory, lead times, and kit lookup, visit www.pdnplu.com



Air Preparation Products
Regulators Products

| | |
|--------------|-----------|
| General | K2-K41 |
| Dial | K42-K49 |
| Pilot | K50-K63 |
| Proportional | K64-K89 |
| Precision | K90-K103 |
| Water | K104-K109 |

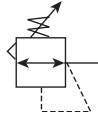
K

**Regulator
 Products**



14R Regulators – Miniature

- Unbalanced poppet standard
- Solid control piston with lip seal for extended life
- Non-rising adjusting knob
- Compact design
- Very easy to service
- 1/8", 1/4" ports (NPT, BSPP, BSPT)



| Port Size | Description | Part Number |
|-----------|---------------|-----------------|
| 1/8" | Without Gauge | 14R013FC |
| 1/8" | With Gauge | 14R018FC |
| 1/4" | Without Gauge | 14R113FC |
| 1/4" | With Gauge | 14R118FC |

NOTE: 1.218 Dia. (31 mm) hole required for panel mounting.

Operating information

| | |
|---------------------------|-------------------------------|
| Supply pressure (max): | 0 to 300 psig (0 to 20.7 bar) |
| Secondary pressure ranges | |
| Standard | 2 to 125 psig (0 to 8.6 bar) |
| Medium | 1 to 60 psig (0 to 4.1 bar) |
| Medium | 1 to 30 psig (0 to 2.1 bar) |
| Low | 1 to 15 psig (0 to 1 bar) |
| Operating temperature: | 32°F to 125°F (0°C to 52°C) |
| Low temperature | -4°F to 125°F (-20°C to 52°C) |
| Flow capacity†: | |
| High flow | 1/8" 13 scfm (6.1 dm³/s, ANR) |
| Low flow | 1/4" 15 scfm (7.1 dm³/s, ANR) |
| Gauge ports (2): | 1/8 or 1/4 inch |
| Weight: | 0.3 lb (0.14 kg) |

† scfm = Standard cubic feet per minute at 100 psig inlet, 90 psig no flow secondary setting and 10 psig pressure drop.

Ordering Information:

14R 1 13 F C

| Port Size | | Port Type | | Preset / Pressure Limited | |
|------------------------------------|---|-----------|------|---------------------------|------------------|
| 1/8 Inch Pipe, 1/8 Inch Gauge Port | 0 | Blank | NPT | Blank | None |
| 1/4 Inch Pipe, 1/8 Inch Gauge Port | 1 | 1 | BSPP | XXX* | Preset Pressure |
| 1/4 Inch Pipe, 1/4 Inch Gauge Port | B | 2 | BSPT | XXX* | Pressure Limited |
| 1/8 Inch Pipe, No Gauge Port | C | | | | |
| Manifold Mounting | M | | | | |

| Engineering Level | |
|-------------------|---------|
| C | Current |

| Pressure Range | | | |
|----------------|----|------------|----|
| Yellow Knob | | Black Knob | |
| Without Gauge | | | |
| 30 psig | 10 | 30 psig | B0 |
| 60 psig | 11 | 60 psig | B1 |
| 15 psig | 12 | 15 psig | B2 |
| 125 psig | 13 | 125 psig | B3 |
| With Gauge* | | | |
| 30 psig | 15 | 30 psig | B5 |
| 60 psig | 16 | 60 psig | B6 |
| 15 psig | 17 | 15 psig | B7 |
| 125 psig | 18 | 125 psig | B8 |

| Relief | |
|--------|-------------------------|
| F | Relieving |
| G | Non-Relieving |
| H | Low Temp. Relieving |
| J | Low Temp. Non-Relieving |

| Options | |
|---------|--------------------------------------|
| Blank | No Options |
| L† | Preset Non-Adjustable |
| P† | Preset Adjustable |
| S† | Pressure Limiter Max. Adjustable |
| T† | Pressure Limiter Max. Non-Adjustable |

* Available preset / pressure limited range, 10 to 90 psig in 5 psig increments. For higher pressures, contact factory.
(Example: 065 = 65 psig)

† Inlet pressure is 100 psig. For other pressures contact factory.

Spring Type by Preset / Limited Pressure:
 For Preset / Limited Pressure 10 to 25 use 30 psi spring
 For Preset / Limited Pressure 26 to 50 use 60 psi spring
 For Preset / Limited Pressure 51 to 90 use 125 PSI Spring

Most popular.



For inventory, lead times, and kit lookup, visit www.pdnplu.com

Miniature Regulators

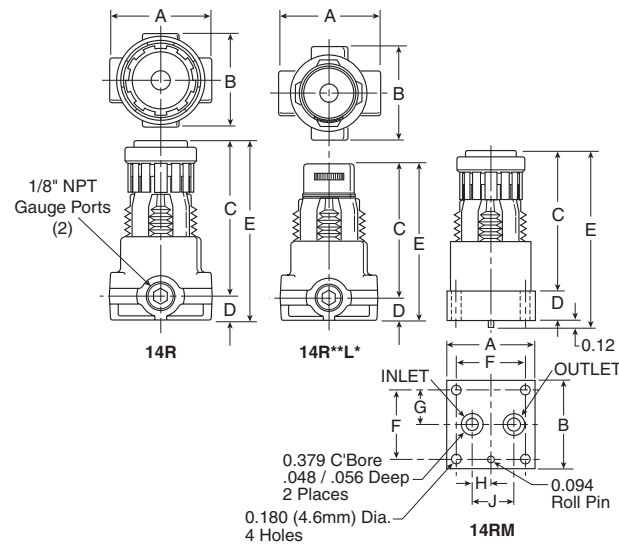
Material Specifications

| | |
|-------------------------------------|---------|
| Adjusting nut | Brass |
| Adjusting stem & spring | Steel |
| Body | Zinc |
| Bonnet, seat, piston & valve poppet | Plastic |
| Seals | Nitrile |

Repair and Service Kits

| | |
|--|--------------------|
| Bonnet assembly kit | L01369 |
| Bonnet tamperproof kit | P01265 |
| 30 psig gauge, 1/8" NPT (0 to 2.1 bar) | K4515N18030 |
| 60 psig gauge, 1/8" NPT (0 to 4.1 bar) | K4515N18060 |
| 160 psig gauge, 1/8" NPT (0 to 11.0 bar) | K4515N18160 |
| 60 psig gauge, 1/4" NPT (0 to 4.1 bar) | K4520N14060 |
| 160 psig gauge, 1/4" NPT (0 to 11.0 bar) | K4520N14160 |
| Mounting bracket kit* (includes panel mount nut) | PS417BP |
| Plastic panel mount nuts* | P78652 |
| Metal panel mount nuts* | P01531 |
| Unbalanced non-relieving, poppet / piston kit | PS428P |
| Unbalanced relieving, poppet / piston kit | PS426P |
| 1-15 psig spring (yellow) | P01176 |
| 1-30 psig spring (black) | P01175 |
| 1-60 psig spring (white) | P01174 |
| 2-125 psig spring (gold) | P01173 |

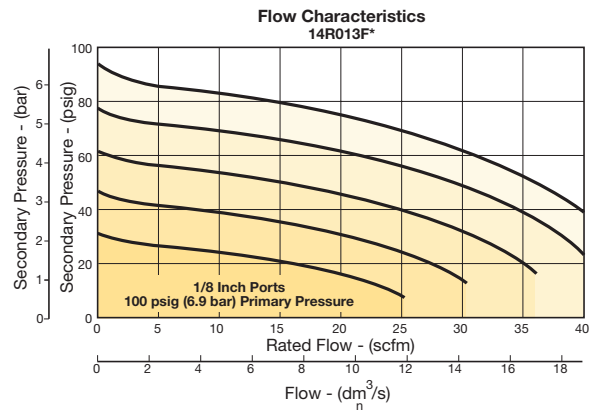
* Tighten panel mount nut 2.8 to 3.4 Nm (25 to 30 in-lbs) of torque.



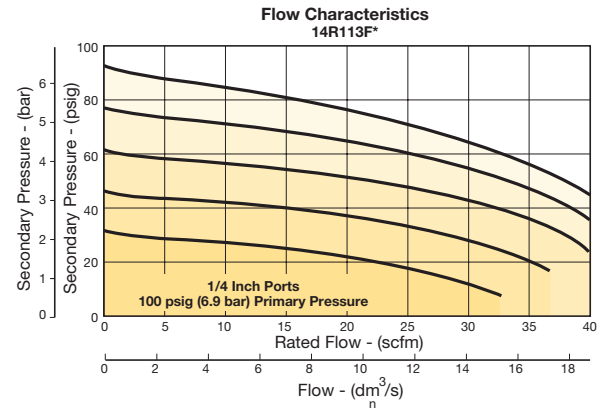
Air Preparation Products 14R Series

Flow Charts

1/8" Ports



1/4" Ports



WARNING
Product rupture can cause serious injury.
Do not connect regulator to bottled gas.
Do not exceed Maximum primary pressure rating.

CAUTION:
REGULATOR PRESSURE ADJUSTMENT – The working range of knob adjustment is designed to permit outlet pressures within their full range. Pressure adjustment beyond this range is also possible because the knob is not a limiting device. This is a common characteristic of most industrial regulators, and limiting devices may be obtained only by special design. For best performance, regulated pressure should always be set by increasing the pressure up to the desired setting.



For inventory, lead times, and kit lookup, visit www.pdnplu.com

General

Dial

Pilot

Proportional

Precision

Water

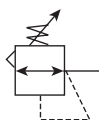
K

Regulator Products

Miniature Regulators

P3A-R Regulators – Miniature

- Lightweight plastic body
- Non-rising adjusting knob
- Solid control piston with lip seal for extended life
- Unbalanced poppet standard
- Two full flow 1/8" gauge ports
- Reverse flow capability
- 1/8", 1/4" ports (NPT)



| Port Size | Description | Part Number |
|-----------|---------------|---------------------|
| 1/4" | Without Gauge | P3A-RN92YNNN |

NOTE: 1.218 Dia. (31 mm) hole required for panel mounting.

Operating information

| | | |
|------------------------|--|--|
| Supply pressure (max): | 120 psig (8.3 bar) | |
| Secondary pressure: | 15 psig spring 1 to 15 psig (0.07 to 1.0 bar) | |
| | 30 psig spring 6 to 30 psig (0.4 to 2.1 bar) | |
| | 60 psig spring 6 to 60 psig (0.4 to 4.1 bar) | |
| | 110 psig spring 6 to 110 psig (0.4 to 7.6 bar) | |
| Operating temperature: | 32°F to 125°F (0°C to 52°C) | |
| Flow capacity†: | 1/8" 13 scfm (6.1 dm³/s, ANR) | |
| | 1/4" 15 scfm (7.1 dm³/s, ANR) | |
| Gauge ports (2): | 1/8 inch | |
| Weight: | 0.3 lb (0.14 kg) | |

† scfm = Standard cubic feet per minute at 100 psig inlet, 90 psig no flow secondary setting and 10 psig pressure drop.

Ordering Information:

P3A-RN **9** **1** **Y** **N** **N** **N**

| Port Type | Port Size | Relief | Pressure / Gauge | Option | Preset / Pressure Limited |
|------------|-----------|----------------------------|-------------------------|--------|---------------------------|
| NPT Female | 1/8 inch | Non-Relieving, Black Knob | Without Gauge | N | Blank |
| | 1/4 inch | Relieving, Black Knob | 15 psig (0 to 1 bar) A | | None |
| | | Non-Relieving, Yellow Knob | 30 psig (0 to 2 bar) Y | | XXX* Preset Pressure |
| | | Relieving, Yellow Knob | 60 psig (0 to 4 bar) L | | XXX* Pressure Limited |
| | | | 120 psig (0 to 8 bar) N | | |
| | | | With Gauge | | |
| | | | 15 psig (0 to 1 bar) B | | |
| | | | 30 psig (0 to 2 bar) Z | | |
| | | | 60 psig (0 to 4 bar) M | | |
| | | | 120 psig (0 to 8 bar) G | | |

* Available preset / pressure limited range, 10 to 90 psig in 5 psig increments. For higher pressures, contact factory. (Example: 065 = 65 psig)

| Options |
|---|
| N No Options |
| L† Preset Non-Adjustable |
| P† Preset Adjustable |
| S† Pressure Limiter Max. Adjustable |
| T† Pressure Limiter Max. Non-Adjustable |

† Inlet pressure is 100 psig. For other pressures contact factory.

Most popular.



For inventory, lead times, and kit lookup, visit www.pdnplu.com

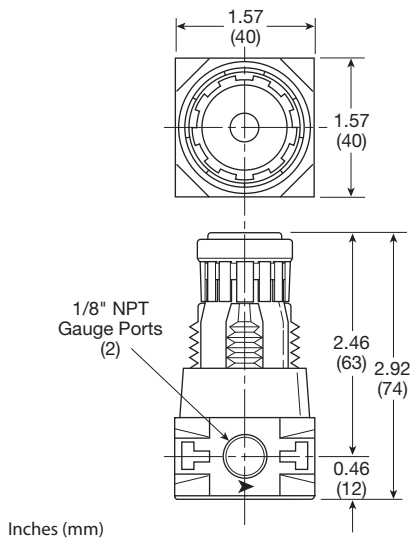
Material Specifications

| | |
|-------------------------|-------------------|
| Adjusting nut | Brass |
| Adjusting stem & spring | Steel |
| Poppet return spring | Stainless Steel |
| Body | Plastic |
| Bonnet, seat & piston | Plastic |
| Seals | Nitrile |
| Valve poppet | Plastic & nitrile |

Repair and Service Kits

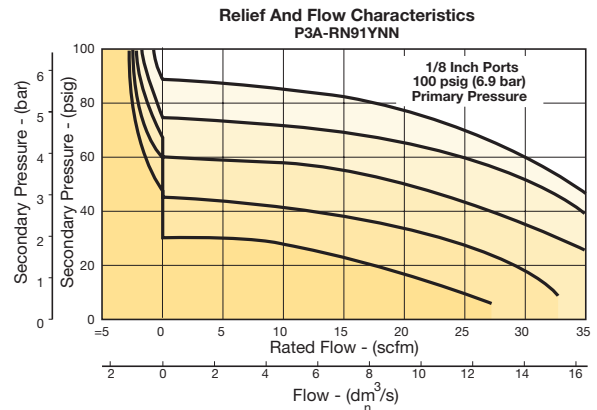
| | |
|--|--------------------|
| 30 psig gauge, 1/8" NPT (0 to 2.1 bar) | K4515N18030 |
| 60 psig gauge, 1/8" NPT (0 to 4.1 bar) | K4515N18060 |
| 160 psig gauge, 1/8" NPT (0 to 11.0 bar) | K4515N18160 |
| Mounting bracket kit* (includes panel mount nut) | PS417BP |
| Panel mount nut* | P78652 |
| Unbalanced non-relieving, poppet / piston kit | PS428P |
| Unbalanced relieving, poppet / piston kit | PS426P |
| 1-15 psig Spring (yellow) | P01176 |
| 1-30 psig spring (black) | P01175 |
| 1-60 psig spring (white) | P01174 |
| 5-110 psig spring (gold) | P01173 |

* Tighten panel mount nut 2.8 to 3.4 Nm (25 to 30 in-lbs) of torque.

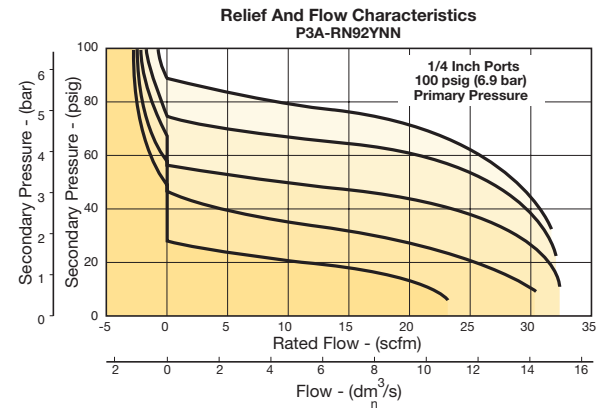


Flow Charts

1/8" port



1/4" port



WARNING
 Product rupture can cause serious injury.
 Do not connect regulator to bottled gas.
 Do not exceed Maximum primary pressure rating.

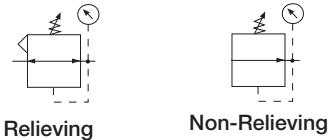
CAUTION:
REGULATOR PRESSURE ADJUSTMENT – The working range of knob adjustment is designed to permit outlet pressures within their full range. Pressure adjustment beyond this range is also possible because the knob is not a limiting device. This is a common characteristic of most industrial regulators, and limiting devices may be obtained only by special design. For best performance, regulated pressure should always be set by increasing the pressure up to the desired setting.

General
 Dial
 Pilot
 Proportional
 Precision
 Water
K
 Regulator Products



R34 Regulators – Miniature

- Diaphragm operated for fast response
- Large diaphragm to valve area ratio for precise regulation and high flow capacity
- Balanced valve design for precise regulation
- Available in 2 or 4 port design
- Available with a manifold mount to minimize plumbing
- Suitable for low temperature applications
- Non-rising adjusting knob
- 1/8", 1/4" ports (NPT, BSPP)



R344-02C



R342-0MC

| Port Size | Description | Part Number | |
|-----------|--------------------------|---------------|------------|
| | | Without Gauge | With Gauge |
| 1/8" | Relieving, 0 to 30 psig | R344-01A | R344-01AG |
| 1/8" | Relieving, 0 to 60 psig | R344-01B | R344-01BG |
| 1/8" | Relieving, 0 to 125 psig | R344-01C | R344-01CG |
| 1/4" | Relieving, 0 to 30 psig | R344-02A | R344-02AG |
| 1/4" | Relieving, 0 to 60 psig | R344-02B | R344-02BG |
| 1/4" | Relieving, 0 to 125 psig | R344-02C | R344-02CG |
| Manifold | Relieving, 0 to 30 psig | R342-0MA | - |
| Manifold | Relieving, 0 to 60 psig | R342-0MB | - |
| Manifold | Relieving, 0 to 125 psig | R342-0MC | - |

Operating information

| | |
|------------------------|---|
| Supply pressure (max): | 300 psig (0 to 20.7 bar) |
| Operating temperature: | -40°F to 150°F (-40°C to 65.5°C) |
| Flow capacity†: | |
| High flow | 1/8" 17 scfm (8.0 dm³/s, ANR) |
| | 1/4" 19 scfm (8.9 dm³/s, ANR) |
| Gauge ports (2): | 1/8 inch (no gauge port version available) |
| Weight: | 0.25 lb (0.11 kg) |

† scfm = Standard cubic feet per minute at 100 psig inlet, 90 psig no flow secondary setting and 10 psig pressure drop.

Ordering Information:

R34 4 - 02 C G

| Number of Ports | |
|-----------------|----|
| 2 Ports | 2 |
| 4 Ports | 4* |

* Not available with manifold mount.

| Thread | |
|--------|---|
| NPT | - |
| BSPP | G |

| Port | |
|----------------|----|
| 1/8 inch | 01 |
| 1/4 inch | 02 |
| Manifold Mount | 0M |

| Pressure Range | |
|----------------|---|
| 0 to 30 psi | A |
| 0 to 60 psi | B |
| 0 to 125 psi | C |

| Preset | |
|--------|-----------------|
| Blank | None |
| XXX* | Preset Pressure |

* Available preset / pressure limited range, 10 to 90 psig in 5 psig increments. For higher pressures, contact factory. (Example: 065 = 65 psig)

| Options | |
|---------|-----------------------|
| Blank | No Options |
| L† | Preset Non-Adjustable |
| M† | Preset Adjustable |

† Inlet pressure is 100 psig. For other pressures contact factory.

| Options | |
|---------|-------------------------|
| Blank | No Option |
| G | Gauge |
| K | Non-Relieving Diaphragm |
| N | Unbalanced |
| P | Panel Mount Nut |
| X64 | Fluorocarbon Elastomers |

Most popular.



For inventory, lead times, and kit lookup, visit www.pdnplu.com

Miniature Regulators

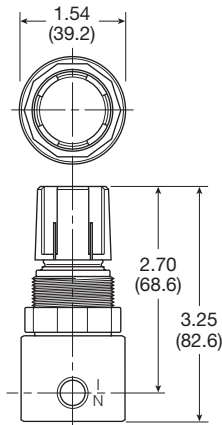
Material Specifications

| | |
|-------------------|----------|
| Body | Aluminum |
| Bonnet | Acetal |
| Diaphragm & seals | Nitrile |
| Valve assembly | Brass |
| Springs | Steel |
| Panel Nut | Acetal |

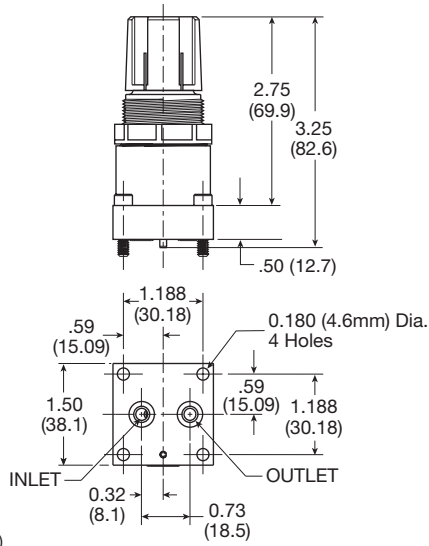
Repair and Service Kits

| | |
|---|--------------------|
| Diaphragm assembly, non-relieving | GRP-96-726 |
| Diaphragm assembly, relieving | GRP-96-725 |
| 0 to 30 psig (0 to 2.1 bar), spring, regulating | GRP-95-111 |
| 0 to 60 psig (0 to 4.1 bar) spring, regulating | GRP-96-718 |
| 0 to 125 psig (0 to 8.6 bar) spring, regulating | GRP-96-717 |
| Panel mount nut, aluminum | R05X51-A |
| Panel mount nut, plastic | R05X51-P |
| Mounting bracket kit (includes panel mount nut) | SA161X57 |
| 1-1/2" Dial Face, 1/8 NPT, CBM, 0 to 60 psig (0 to 4.1 bar), gauge | K4515N18060 |
| 1-1/2" Dial Face, 1/8 NPT, CBM, 0 to 160 psig (0 to 11.0 bar), gauge | K4515N18160 |
| Tamperproof knob kit | P31KB00AT |

R342 / R344



R342-0MC

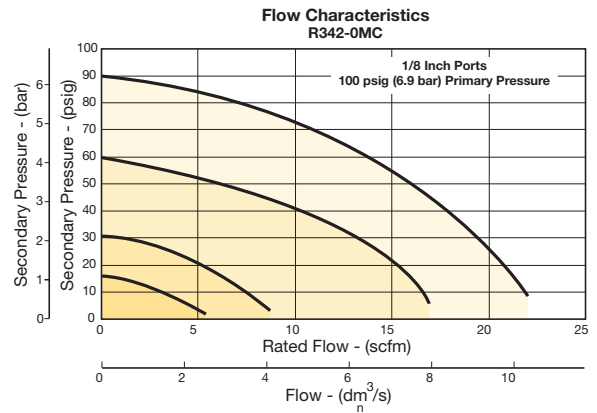


Inches (mm)

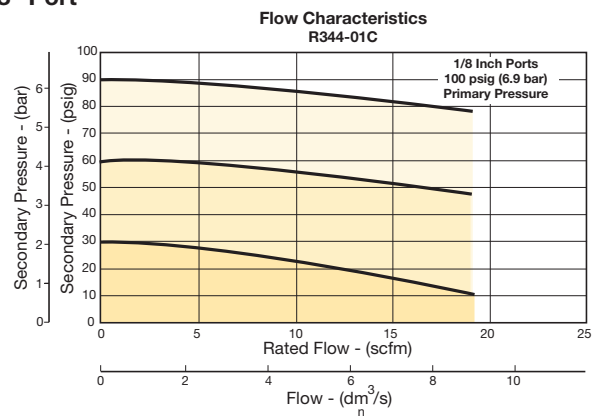
Air Preparation Products R34 Series

Flow Charts

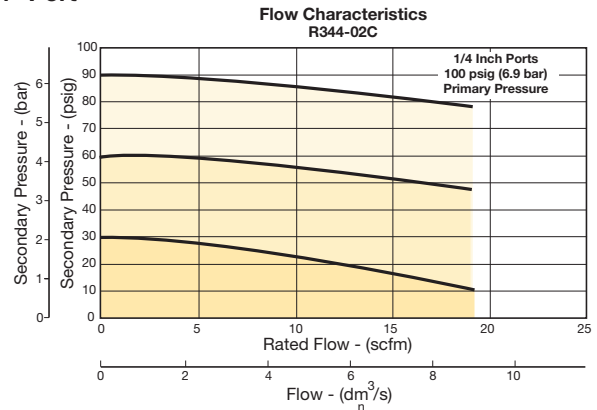
1/8" Manifold Mount



1/8" Port



1/4" Port



WARNING
Product rupture can cause serious injury.
Do not connect regulator to bottled gas.
Do not exceed Maximum primary pressure rating.

CAUTION:

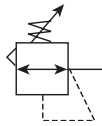
REGULATOR PRESSURE ADJUSTMENT – The working range of knob adjustment is designed to permit outlet pressures within their full range. Pressure adjustment beyond this range is also possible because the knob is not a limiting device. This is a common characteristic of most industrial regulators, and limiting devices may be obtained only by special design. For best performance, regulated pressure should always be set by increasing the pressure up to the desired setting.



For inventory, lead times, and kit lookup, visit www.pdnplu.com

R25 Regulators – Miniature

- Lightweight plastic body
- Unbalanced poppet standard
- Non-rising, push-to-lock adjusting knob
- Compact, 3.10 Inch (79 mm) high by 1.60 Inch (41 mm) wide
- Lightweight
- Diaphragm operated
- 1/8", 1/4" ports (NPT)



| Port Size | Description | Part Number |
|-----------|--|----------------|
| 1/8" | Relieving, 0-125 Reduced Pressure, without Gauge | R25-01C |
| 1/4" | Relieving, 0-125 Reduced Pressure, without Gauge | R25-02C |

NOTE: 1.250 Dia. (31.8 mm) hole required for panel mounting.

Operating information

| | |
|------------------------|---|
| Supply pressure (max): | Inlet 150 psig (10.0 bar) |
| Operating temperature: | 40°F to 125°F (4°C to 52°C) |
| Gauge ports (2): | 1/8 inch (can be used for full flow) |
| Weight: | 0.25 lb (0.11 kg) |

Ordering Information:

| | | | | | | | | | |
|---------------------|--|----------------------------|--|--------------------------------------|--|--|--|----------|--|
| R25 | | - | | 02 | | C | | | |
| Type | | Port Size | | Relief | | Pressure Range | | | |
| Buna Elastomers R25 | | 1/8 inch 01 1/4 inch 02 | | Blank Relieving P Panel Mount Nut | | A 0 to 25 psig (0 to 2 bar) B 0 to 60 psig (0 to 4 bar) C 0 to 125 psig (0 to 125 (0 to 8 bar) | | | |

Most popular.



For inventory, lead times, and kit lookup, visit www.pdnplu.com

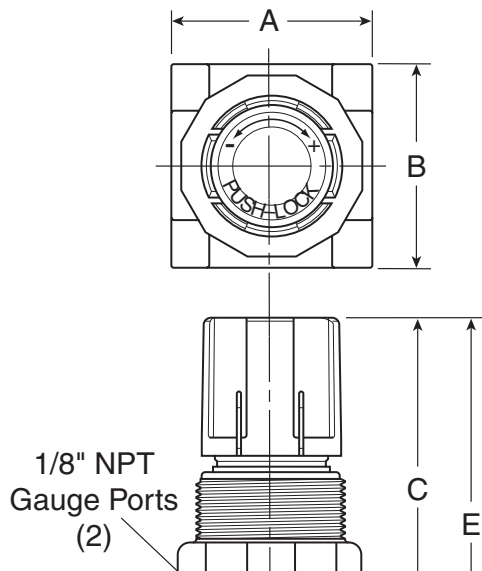
Miniature Regulators

Material Specifications

| | |
|-----------------|-----------------|
| Adjusting screw | Steel |
| Body | Acetal |
| Bonnet and seat | Acetal |
| Diaphragm | Buna N |
| Seals | Buna N |
| Springs | Stainless steel |
| Valve poppet | Buna N |

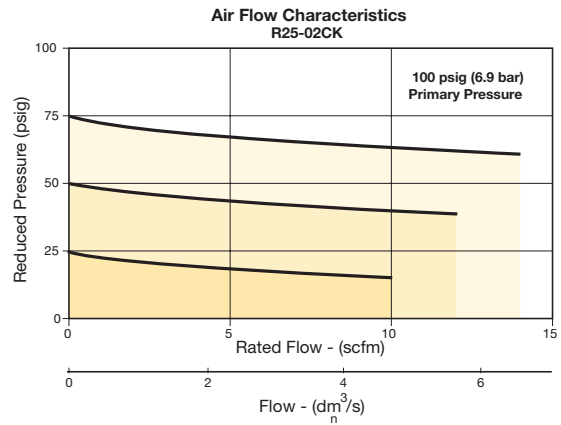
Repair and Service Kits

| | |
|---------------------------|------------------|
| Panel mount nut, plastic | R05X51-P |
| Panel mount nut, aluminum | R05X51-A |
| Mounting bracket and nut | SA161X57 |
| Relieving (Buna) | RKR25Y |
| Non-Relieving (Buna) | RKR25KY |
| 0-25 psig spring | SPR-375-1 |
| 0-60 psig spring | SPR-376 |
| 0-125 psig spring | SPR-377 |



Air Preparation Products Regulator Products

Flow Charts



⚠ WARNING

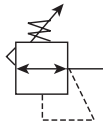
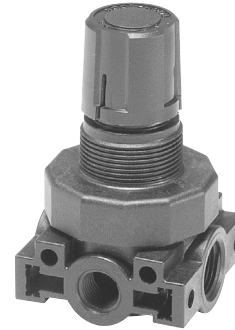
**Product rupture can cause serious injury.
Do not connect regulator to bottled gas.
Do not exceed Maximum primary pressure rating.**

CAUTION:

REGULATOR PRESSURE ADJUSTMENT – The working range of knob adjustment is designed to permit outlet pressures within their full range. Pressure adjustment beyond this range is also possible because the knob is not a limiting device. This is a common characteristic of most industrial regulators, and limiting devices may be obtained only by special design. For best performance, regulated pressure should always be set by increasing the pressure up to the desired setting.

R45 Regulators – Miniature

- Lightweight plastic body
- Unbalanced poppet standard
- Non-rising, push-to-lock adjusting knob
- Compact, 3.43 inch (87.1 mm) high by 2.06 inch (52.3 mm) wide
- Lightweight
- Diaphragm operated
- 1/4", 3/8" ports (NPT, BSPP)



Operating information

| | |
|------------------------|---|
| Supply pressure (max): | Inlet 150 psig (10.0 bar) |
| Operating temperature: | 40°F to 125°F (4°C to 52°C) |
| Gauge ports (2): | 1/4 inch (can be used for full flow) |
| Weight: | 0.38 lb (0.17 kg) |

| Port Size | Description | Part Number |
|-----------|--|----------------|
| 1/4" | Relieving, 0-125 Reduced Pressure, without Gauge | R45-02C |
| 3/8" | Relieving, 0-125 Reduced Pressure, without Gauge | R45-03C |

NOTE: 1.250 Dia. (31.8 mm) hole required for panel mounting.

Ordering Information:

| | | | | | | | | | |
|---------------------|--|----------------------------|--|--|--|--------------------------------------|--|----------|--|
| R45 | | - | | 02 | | C | | | |
| Type | | Port Size | | Pressure Range | | Relief | | | |
| Buna Elastomers R45 | | 1/4 inch 02 3/8 inch 03 | | A 0 to 25 psig (0 to 2 bar) B 0 to 60 psig (0 to 4 bar) C 0 to 125 psig (0 to 8 bar) | | Blank Relieving P Panel Mount Nut | | | |

Most popular.



For inventory, lead times, and kit lookup, visit www.pdnplu.com

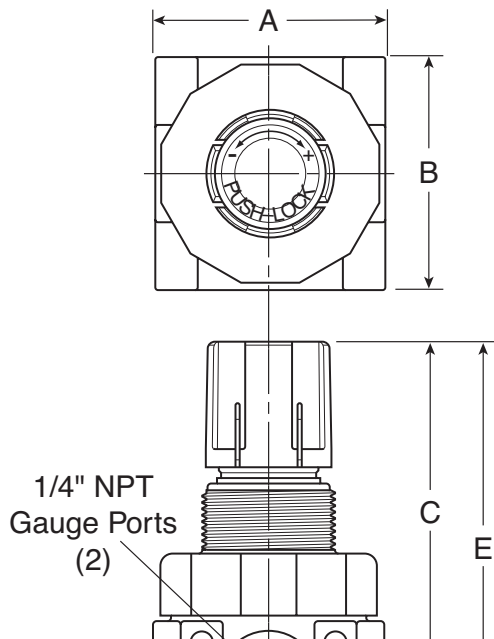
Miniature Regulators

Material Specifications

| | |
|-----------------|-----------------|
| Adjusting screw | Steel |
| Body | Acetal |
| Bonnet and seat | Acetal |
| Diaphragm | Buna N |
| Seals | Buna N |
| Springs | Stainless steel |
| Valve Poppet | Buna N |

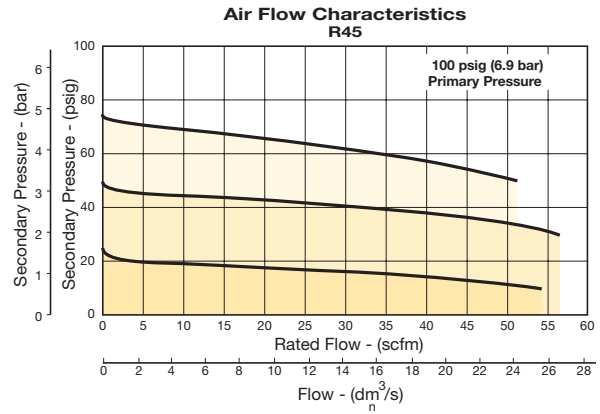
Repair and Service Kits

| | |
|---------------------------|-----------------|
| Panel mount nut, plastic | R05X51 |
| Panel mount nut, aluminum | R05X51-A |
| Mounting bracket and nut | SA161X57 |
| Relieving | RKR45Y |
| Non-Relieving | RKR45KY |
| 0-25 psig spring | SPR-46 |
| 0-60 psig spring | SPR-47 |
| 0-125 psig spring | SPR-48 |



Air Preparation Products Regulator Products

Flow Charts



WARNING
Product rupture can cause serious injury.
Do not connect regulator to bottled gas.
Do not exceed Maximum primary pressure rating.

CAUTION:

REGULATOR PRESSURE ADJUSTMENT – The working range of knob adjustment is designed to permit outlet pressures within their full range. Pressure adjustment beyond this range is also possible because the knob is not a limiting device. This is a common characteristic of most industrial regulators, and limiting devices may be obtained only by special design. For best performance, regulated pressure should always be set by increasing the pressure up to the desired setting.

General

Dial

Pilot

Proportional

Precision

Water

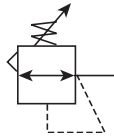
K

Regulator Products



15R Regulators – Economy

- Solid control piston with resilient seat for service-free operation
- Non-rising “locking” adjusting knob
- Compact, 3.30 inch (84 mm) high by 2.12 inch (54 mm) wide
- Easily serviced
- 1/4", 3/8" ports (NPT)



| Port Size | Description | Part Number |
|-----------|---------------|-----------------|
| 1/4" | Without Gauge | 15R113FB |
| 1/4" | With Gauge | 15R118FB |
| 3/8" | Without Gauge | 15R213FB |
| 3/8" | With Gauge | 15R218FB |

NOTE: 1.218 Dia. (31 mm) hole required for panel mounting.

Operating information

| | | |
|---------------------------|-------------------------------|--------------------------------|
| Supply pressure (max): | 0 to 250 psig (0 to 17.2 bar) | |
| Secondary pressure ranges | Standard | 2 to 125 psig (0 to 8.6 bar) |
| | Medium | 1 to 60 psig (0 to 4.1 bar) |
| | Medium | 1 to 30 psig (0 to 1.7 bar) |
| | Low | 1 to 15 psig (0 to 1 bar) |
| Operating temperature: | 32°F to 125°F (0°C to 52°C) | |
| | Low temperature | -4°F to 125°F (-20°C to 52°C) |
| Flow capacity†: | High flow | 1/4" 21 scfm (9.9 dm³/s, ANR) |
| | | 3/8" 28 scfm (13.2 dm³/s, ANR) |
| Gauge ports (2): | 1/4 inch | |
| | (can be used at full flow) | |
| Weight: | 0.5 lb (0.23 kg) | |

† scfm = Standard cubic feet per minute at 100 psig inlet, 90 psig no flow secondary setting and 10 psig pressure drop.

Ordering Information:

15R
1
13
F
B

| <table border="1" style="width: 100%; border-collapse: collapse;"> <thead> <tr><th>Port Size</th></tr> </thead> <tbody> <tr><td>1/4 inch</td><td style="text-align: center;">1</td></tr> <tr><td>3/8 inch</td><td style="text-align: center;">2</td></tr> </tbody> </table> | Port Size | 1/4 inch | 1 | 3/8 inch | 2 | <table border="1" style="width: 100%; border-collapse: collapse;"> <thead> <tr><th>Engineering Level</th></tr> </thead> <tbody> <tr><td>B</td><td style="text-align: center;">Current</td></tr> </tbody> </table> | Engineering Level | B | Current | <table border="1" style="width: 100%; border-collapse: collapse;"> <thead> <tr><th>Relief</th></tr> </thead> <tbody> <tr><td>F</td><td style="text-align: center;">Relieving</td></tr> <tr><td>G</td><td style="text-align: center;">Non-Relieving</td></tr> <tr><td>H</td><td style="text-align: center;">Low Temp Relieving</td></tr> <tr><td>J</td><td style="text-align: center;">Low Temp Non-Relieving</td></tr> </tbody> </table> | Relief | F | Relieving | G | Non-Relieving | H | Low Temp Relieving | J | Low Temp Non-Relieving | <table border="1" style="width: 100%; border-collapse: collapse;"> <thead> <tr><th>Pressure Range</th></tr> </thead> <tbody> <tr><td colspan="2" style="text-align: center;">Without Gauge</td></tr> <tr><td>15 psig</td><td style="text-align: center;">12</td></tr> <tr><td>30 psig</td><td style="text-align: center;">10</td></tr> <tr><td>60 psig</td><td style="text-align: center;">11</td></tr> <tr><td>125 psig</td><td style="text-align: center;">13</td></tr> <tr><td colspan="2" style="text-align: center;">With Gauge</td></tr> <tr><td>15 psig</td><td style="text-align: center;">17</td></tr> <tr><td>30 psig</td><td style="text-align: center;">15</td></tr> <tr><td>60 psig</td><td style="text-align: center;">16</td></tr> <tr><td>125 psig</td><td style="text-align: center;">18</td></tr> </tbody> </table> | Pressure Range | Without Gauge | | 15 psig | 12 | 30 psig | 10 | 60 psig | 11 | 125 psig | 13 | With Gauge | | 15 psig | 17 | 30 psig | 15 | 60 psig | 16 | 125 psig | 18 |
|---|------------------------|----------|---|----------|---|---|-------------------|---|---------|--|--------|---|-----------|---|---------------|---|--------------------|---|------------------------|---|----------------|---------------|--|---------|----|---------|----|---------|----|----------|----|------------|--|---------|----|---------|----|---------|----|----------|----|
| Port Size | | | | | | | | | | | | | | | | | | | | | | | | | | | | | | | | | | | | | | | | | |
| 1/4 inch | 1 | | | | | | | | | | | | | | | | | | | | | | | | | | | | | | | | | | | | | | | | |
| 3/8 inch | 2 | | | | | | | | | | | | | | | | | | | | | | | | | | | | | | | | | | | | | | | | |
| Engineering Level | | | | | | | | | | | | | | | | | | | | | | | | | | | | | | | | | | | | | | | | | |
| B | Current | | | | | | | | | | | | | | | | | | | | | | | | | | | | | | | | | | | | | | | | |
| Relief | | | | | | | | | | | | | | | | | | | | | | | | | | | | | | | | | | | | | | | | | |
| F | Relieving | | | | | | | | | | | | | | | | | | | | | | | | | | | | | | | | | | | | | | | | |
| G | Non-Relieving | | | | | | | | | | | | | | | | | | | | | | | | | | | | | | | | | | | | | | | | |
| H | Low Temp Relieving | | | | | | | | | | | | | | | | | | | | | | | | | | | | | | | | | | | | | | | | |
| J | Low Temp Non-Relieving | | | | | | | | | | | | | | | | | | | | | | | | | | | | | | | | | | | | | | | | |
| Pressure Range | | | | | | | | | | | | | | | | | | | | | | | | | | | | | | | | | | | | | | | | | |
| Without Gauge | | | | | | | | | | | | | | | | | | | | | | | | | | | | | | | | | | | | | | | | | |
| 15 psig | 12 | | | | | | | | | | | | | | | | | | | | | | | | | | | | | | | | | | | | | | | | |
| 30 psig | 10 | | | | | | | | | | | | | | | | | | | | | | | | | | | | | | | | | | | | | | | | |
| 60 psig | 11 | | | | | | | | | | | | | | | | | | | | | | | | | | | | | | | | | | | | | | | | |
| 125 psig | 13 | | | | | | | | | | | | | | | | | | | | | | | | | | | | | | | | | | | | | | | | |
| With Gauge | | | | | | | | | | | | | | | | | | | | | | | | | | | | | | | | | | | | | | | | | |
| 15 psig | 17 | | | | | | | | | | | | | | | | | | | | | | | | | | | | | | | | | | | | | | | | |
| 30 psig | 15 | | | | | | | | | | | | | | | | | | | | | | | | | | | | | | | | | | | | | | | | |
| 60 psig | 16 | | | | | | | | | | | | | | | | | | | | | | | | | | | | | | | | | | | | | | | | |
| 125 psig | 18 | | | | | | | | | | | | | | | | | | | | | | | | | | | | | | | | | | | | | | | | |

 Most popular.



For inventory, lead times, and kit lookup, visit www.pdnplu.com

Economy Regulators

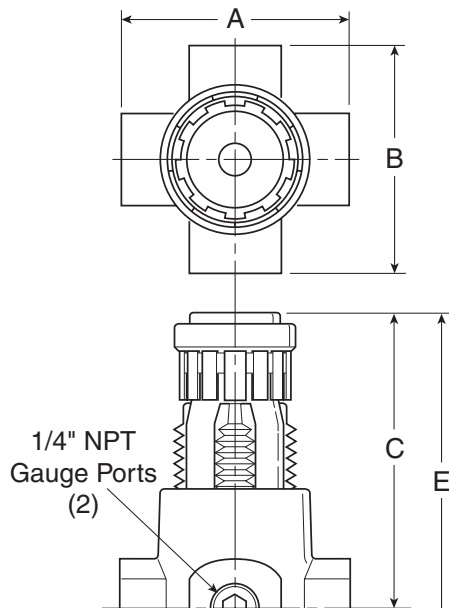
Material Specifications

| | |
|-------------------------------------|---------|
| Adjusting nut | Brass |
| Adjusting stem & spring | Steel |
| Body | Zinc |
| Bonnet, seat, piston & valve poppet | Plastic |
| Seals | Nitrile |

Repair and Service Kits

| | |
|--|--------------------|
| Body Service Kit – Unbalanced | PS424BP |
| Bonnet Assembly Kit | L01369 |
| 30 psig, 1/8" NPT (0 to 2.1 bar) gauge | K4515N18030 |
| 60 psig, 1/8" NPT (0 to 4.1 bar) gauge | K4515N18060 |
| 160 psig, 1/8" NPT (0 to 11.0 bar) gauge | K4515N18160 |
| 60 psig, 1/4" NPT (0 to 4.1 bar) gauge | K4520N14060 |
| 160 psig, 1/4" NPT (0 to 11.0 bar) gauge | K4520N14160 |
| Mounting bracket kit* (Includes panel mount nut) | PS417BP |
| Panel mount nuts*, plastic | P78652 |
| Panel mount nuts*, metal | P01531 |
| Poppet / piston kit, unbalanced, non-relieving | PS428P |
| Poppet / piston kit, unbalanced, relieving | PS426P |
| Seal, unbalanced | PS454B |
| 1-15 psig spring (yellow) | P01176 |
| 1-30 psig spring (black) | P01175 |
| 1-60 psig spring (white) | P01174 |
| 2-125 psig spring (gold) | P01173 |

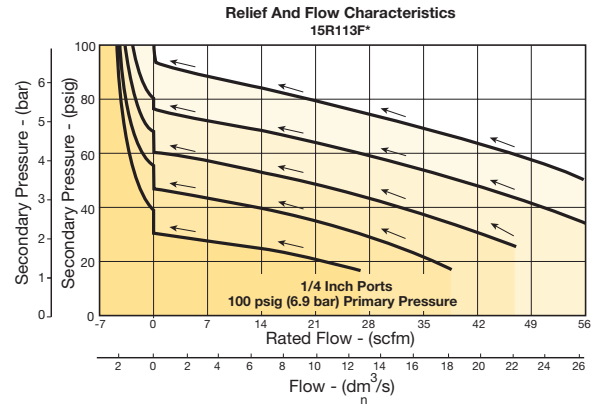
* Tighten panel mount nut 2.8 to 3.4 Nm (25 to 30 in-lbs) of torque.



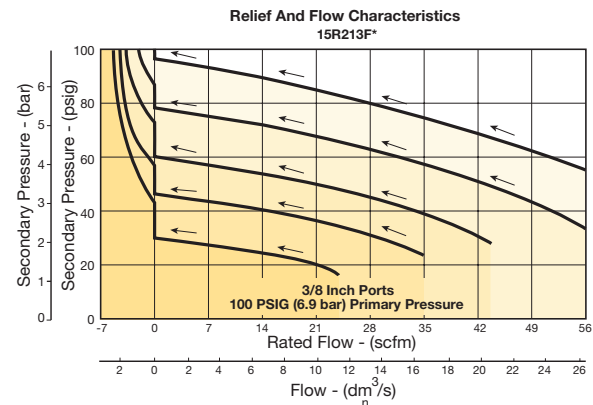
Air Preparation Products Regulator Products

Flow Charts

1/4" Regulator



3/8" Regulator



⚠ WARNING

**Product rupture can cause serious injury.
Do not connect regulator to bottled gas.
Do not exceed Maximum primary pressure rating.**

CAUTION:

REGULATOR PRESSURE ADJUSTMENT – The working range of knob adjustment is designed to permit outlet pressures within their full range. Pressure adjustment beyond this range is also possible because the knob is not a limiting device. This is a common characteristic of most industrial regulators, and limiting devices may be obtained only by special design. For best performance, regulated pressure should always be set by increasing the pressure up to the desired setting.

General

Dial

Pilot

Proportional

Precision

Water

K

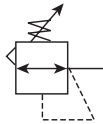
Regulator
Products



Semi-Precision Regulators

27R Regulators – Semi-Precision

- Fine adjustment sensitivity
- Good repeatability and minimal pressure drop
- High flow capacity
- Two 1/4" gauge ports
- Brass Poppet for long life
- Modular with 05 Series FRL
- Non-rising, removable knob
- Multiple porting options
- 1/4", 3/8" ports (NPT, BSPP, BSPT)



Operating information

| | |
|-----------------------------|---|
| Bleed rate: | 0.033 scfm (0.016 dm ³ /s, ANR) |
| Effect of supply variation: | 0.5 psig (0.04 bar) for 25 psig (1.7 bar) change P ¹ |
| Relief capacity: | 0.5 scfm (0.24 dm ³ /s, ANR) @ 5 psig (0.4 bar) increase P ² |
| Flow capacity†: | 28 scfm (13.2 dm ³ /s, ANR) @ 100 psig (6.9 bar) P ¹ and 20 psig (1.4 bar) P ² |
| Inlet pressure (max): | 250 psig (17.2 bar) |
| Temperature rating: | 32°F to 175°F (0°C to 80°C) |
| Relief flow: | 5.0 scfm (2.4 dm ³ /s, ANR) |
| Repeatability: | ± .5 psig (±0.034 bar) |
| Response: | 510 ms The valve will open to full flow and fill a volume of 100 in ³ |
| Gauge ports (2): | 1/4 inch |
| Weight: | 1.0 lb (0.45 kg) |

† scfm = Standard cubic feet per minute at 150 psig inlet, 90 psig no flow secondary setting and 5 psig pressure drop.

Ordering Information:

| Port Size | Description | Part Number |
|-----------|----------------------------------|-----------------|
| 1/4" | 1-15 psi w/out Gauge, Relieving | 27R112AD |
| 1/4" | 0-60 psi w/out Gauge, Relieving | 27R114AD |
| 1/4" | 2-125 psi w/out Gauge, Relieving | 27R113AD |

NOTE: 1.53 Dia. (39 mm) hole required for panel mounting. Max panel thickness 1/4"

Most popular.



For inventory, lead times, and kit lookup, visit www.pdnplu.com

General

Dial

Pilot

Proportional

Precision

Water

K

Regulator Products

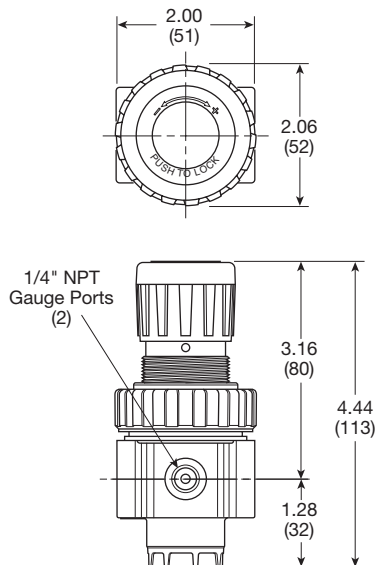
Semi-Precision Regulators

Material Specifications

| | |
|----------------------------|---------|
| Poppet | Brass |
| Bonnet | Plastic |
| Body | Zinc |
| Collar, knob | Plastic |
| Diaphragm | Nitrile |
| Bottom Cap | Plastic |
| Seals | Nitrile |
| Springs – poppet & control | Steel |

Repair and Service Kits

| | |
|--|--------------------|
| Bonnet assembly kit | PS910P |
| Control knob | P0442001 |
| 1-1/2" dial face 30 psig (0 to 2.1 bar), gauge | K4515N14030 |
| 1-1/2" dial face 60 psig (0 to 4.1 bar), gauge | K4515N14060 |
| 1-1/2" dial face 160 psig (0 to 11.0 bar), gauge | K4515N14160 |
| 1-1/2" dial face 300 psig (0 to 20.7 bar), gauge | K4515N14300 |
| 2" dial face 60 psig (0 to 4.1 bar), gauge | K4520N14060 |
| 2" dial face 160 psig (0 to 11.0 bar), gauge | K4520N14160 |
| 2" dial face 300 psig (0 to 20.7 bar), gauge | K4520N14300 |
| Mounting bracket kit | PS963P |
| Panel mount nut, metal | PS964P |
| Service kit | PS907P |
| 1-30 psig spring | P04427 |
| 1-15 psig spring | P04428 |
| 0-60 psig spring | P04426 |
| 2-125 psig spring | P04425 |



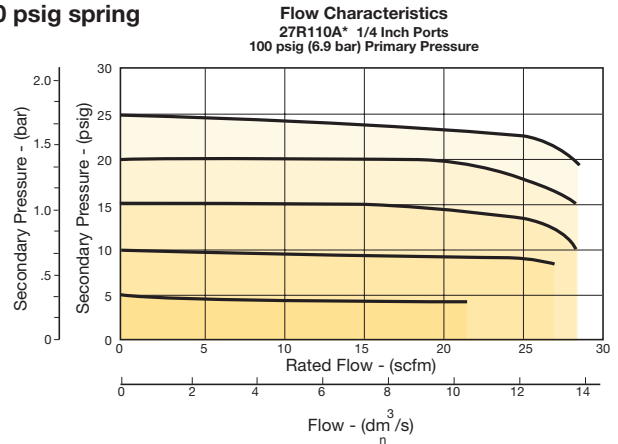
⚠ WARNING

Product rupture can cause serious injury. Do not connect regulator to bottled gas. Do not exceed Maximum primary pressure rating.

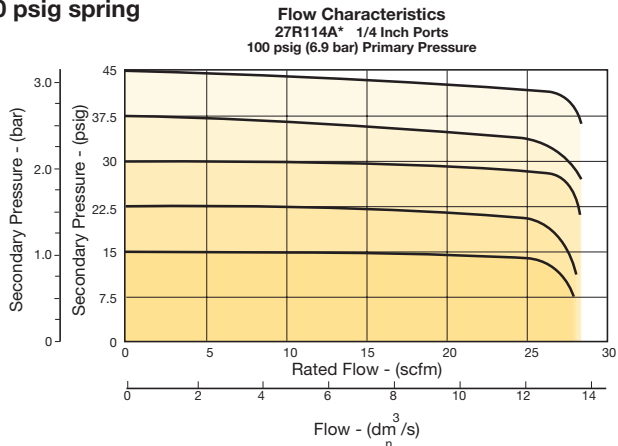
Air Preparation Products Regulator Products

Flow Charts

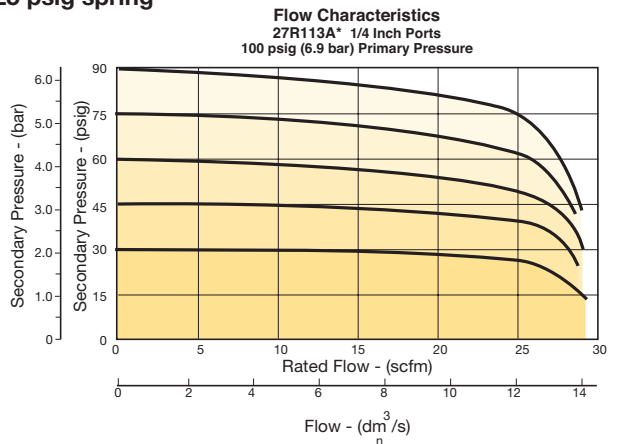
1/4" Regulator 30 psig spring



1/4" Regulator 60 psig spring



1/4" Regulator 125 psig spring



CAUTION:

REGULATOR PRESSURE ADJUSTMENT – The working range of knob adjustment is designed to permit outlet pressures within their full range. Pressure adjustment beyond this range is also possible because the knob is not a limiting device. This is a common characteristic of most industrial regulators, and limiting devices may be obtained only by special design. For best performance, regulated pressure should always be set by increasing the pressure up to the desired setting.



For inventory, lead times, and kit lookup, visit www.pdnplu.com

General

Dial

Pilot

Proportional

Precision

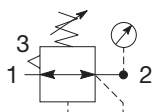
Water

K

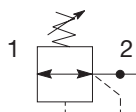
Regulator Products

P31 Regulators – Mini

- Integral 1/4" ports (NPT, BSPP & BSPT)
- Robust but lightweight aluminum construction
- Secondary pressure ranges
- Secondary aspiration plus balanced poppet provides quick response and accurate pressure regulation.
- Relieving & non-relieving types
- Non-rising knob



Self relieving regulator with gauge



Non-relieving regulator

| Port Size | Description (Relieving) | Gauge | Part Number |
|-----------|-------------------------|--------|--------------------|
| 1/4" | 125 psig (8 bar) | None | P31RB92BNNP |
| 1/4" | 125 psig (8 bar) | Square | P31RB92BN5P |

Operating information

| | | |
|---------------------------|-----|---|
| Flow capacity*: | 1/4 | 68 scfm (32 dm ³ /s, ANR) |
| Operating temperature†: | | -4°F to 150°F (-20°C to 65.5°C) |
| Supply pressure (max): | | 300 psig (20 bar) |
| Adjusting range pressure: | | 30 psig (0-2 bar) 60 psig (0-4 bar) 125 psig (0-8 bar) 232 psig (0-16 bar) |
| Gauge port (2 each)**: | | 1/8 BSPP, BSPT, NPT |
| Weight: | | 0.37 lb (0.17 kg) |

* Inlet pressure 145 psig (10 bar). Secondary pressure 91.3 psig (6.3 bar).
 ** Non-gauge option only.
 † Units with square gauges: 5°F to 150°F (-15°C to 65.5°C)

Ordering Information:

P31RB 9 2 B N 5 P

| Basic Series Global Modular Mini Regulator P31RB | Thread type BSPP 1 BSPT 2 NPT 9 | Mounting P Plastic Panel Mount Nut | | | | | | | | | | | | | | | | | | | | | | | | | | | | | | | | | | | | | | | | | | | | |
|---|---|--|---------------------------|--|------------------|--|------|-----|--|--|---------|--------|---|-------------------------|--------|-------|---|-------------------------|---------|-------|---|--------------------------|--|--|---|---------------------------|--|--|----------------------|--|--|--|---|-------------------------|--|--|---|-------------------------|--|--|---|--------------------------|--|--|---|---------------------------|
| Port size 1/4 2 | Relief Relieving B Non-Relieving N Reverse Flow-Relieving R | Adjustment Range | | | | | | | | | | | | | | | | | | | | | | | | | | | | | | | | | | | | | | | | | | | | |
| | Adjustment N Non-Rising Knob | <table border="1"> <thead> <tr> <th colspan="2">With Square Gauge</th> <th colspan="2">With Round Gauge</th> </tr> <tr> <th>psig</th> <th>bar</th> <th></th> <th></th> </tr> </thead> <tbody> <tr> <td>1 = 30*</td> <td>V = 2*</td> <td>Z</td> <td>30 psig; 2 bar; 0.2 MPa</td> </tr> <tr> <td>3 = 60</td> <td>S = 4</td> <td>M</td> <td>60 psig; 4 bar; 0.4 MPa</td> </tr> <tr> <td>5 = 125</td> <td>T = 8</td> <td>G</td> <td>125 psig; 8 bar; 0.8 MPa</td> </tr> <tr> <td></td> <td></td> <td>J</td> <td>232 psig; 16 bar; 1.6 MPa</td> </tr> <tr> <td></td> <td></td> <td colspan="2">Without Gauge</td> </tr> <tr> <td></td> <td></td> <td>Y</td> <td>30 psig; 2 bar; 0.2 MPa</td> </tr> <tr> <td></td> <td></td> <td>L</td> <td>60 psig; 4 bar; 0.4 MPa</td> </tr> <tr> <td></td> <td></td> <td>N</td> <td>125 psig; 8 bar; 0.8 MPa</td> </tr> <tr> <td></td> <td></td> <td>H</td> <td>232 psig; 16 bar; 1.6 MPa</td> </tr> </tbody> </table> | With Square Gauge | | With Round Gauge | | psig | bar | | | 1 = 30* | V = 2* | Z | 30 psig; 2 bar; 0.2 MPa | 3 = 60 | S = 4 | M | 60 psig; 4 bar; 0.4 MPa | 5 = 125 | T = 8 | G | 125 psig; 8 bar; 0.8 MPa | | | J | 232 psig; 16 bar; 1.6 MPa | | | Without Gauge | | | | Y | 30 psig; 2 bar; 0.2 MPa | | | L | 60 psig; 4 bar; 0.4 MPa | | | N | 125 psig; 8 bar; 0.8 MPa | | | H | 232 psig; 16 bar; 1.6 MPa |
| With Square Gauge | | With Round Gauge | | | | | | | | | | | | | | | | | | | | | | | | | | | | | | | | | | | | | | | | | | | | |
| psig | bar | | | | | | | | | | | | | | | | | | | | | | | | | | | | | | | | | | | | | | | | | | | | | |
| 1 = 30* | V = 2* | Z | 30 psig; 2 bar; 0.2 MPa | | | | | | | | | | | | | | | | | | | | | | | | | | | | | | | | | | | | | | | | | | | |
| 3 = 60 | S = 4 | M | 60 psig; 4 bar; 0.4 MPa | | | | | | | | | | | | | | | | | | | | | | | | | | | | | | | | | | | | | | | | | | | |
| 5 = 125 | T = 8 | G | 125 psig; 8 bar; 0.8 MPa | | | | | | | | | | | | | | | | | | | | | | | | | | | | | | | | | | | | | | | | | | | |
| | | J | 232 psig; 16 bar; 1.6 MPa | | | | | | | | | | | | | | | | | | | | | | | | | | | | | | | | | | | | | | | | | | | |
| | | Without Gauge | | | | | | | | | | | | | | | | | | | | | | | | | | | | | | | | | | | | | | | | | | | | |
| | | Y | 30 psig; 2 bar; 0.2 MPa | | | | | | | | | | | | | | | | | | | | | | | | | | | | | | | | | | | | | | | | | | | |
| | | L | 60 psig; 4 bar; 0.4 MPa | | | | | | | | | | | | | | | | | | | | | | | | | | | | | | | | | | | | | | | | | | | |
| | | N | 125 psig; 8 bar; 0.8 MPa | | | | | | | | | | | | | | | | | | | | | | | | | | | | | | | | | | | | | | | | | | | |
| | | H | 232 psig; 16 bar; 1.6 MPa | | | | | | | | | | | | | | | | | | | | | | | | | | | | | | | | | | | | | | | | | | | |

* Regulator comes with gauge respective to the adjustment range selected.

Most popular.



For inventory, lead times, and kit lookup, visit www.pdnplu.com

K16

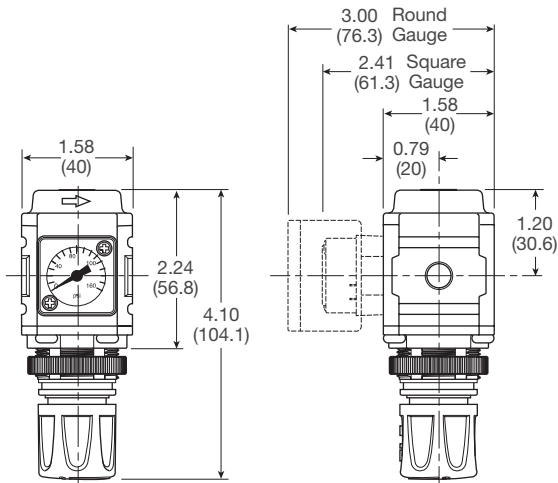
Parker Hannifin Corporation
 Pneumatic Division
 Richland, Michigan
www.parker.com/pneumatics

Material Specifications

| | |
|--------------------|-----------------|
| Body | Aluminum |
| Adjustment knob | Acetal |
| Bonnet | PBT |
| Diaphragm assembly | Brass / Nitrile |
| Valve assembly | Brass / Nitrile |
| Springs | Steel |
| Seals | Nitrile |
| Panel nut | Acetal |

Repair and Service Kits

| | |
|--|------------------|
| Diaphragm repair kit - relieving | P31KB00RB |
| Diaphragm repair kit - non-relieving | P31KB00RC |
| Panel mount nut - aluminum | P31KA00MM |
| Panel mount nut - plastic | P31KA00MP |
| Angle bracket (attaches via panel nut) | P31KB00MR |
| C-bracket (fits to body) | P31KA00MW |
| T-bracket with body connector | P31KA00MT |
| Body connector | P31KA00CB |

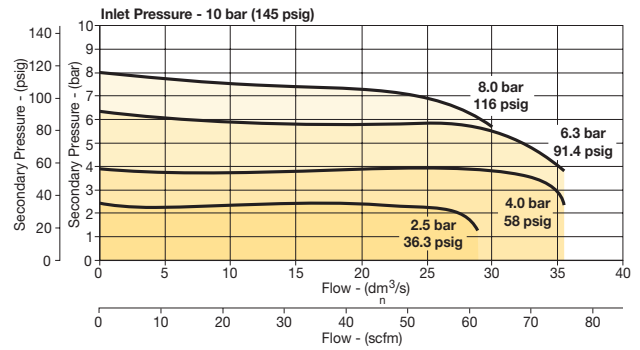


Inches (mm)

NOTE: 1.20 in. (30mm) hole required for panel nut mounting.

Flow Charts

1/4 Regulator



⚠ WARNING

**Product rupture can cause serious injury.
 Do not connect regulator to bottled gas.
 Do not exceed Maximum primary pressure rating.**

CAUTION:

REGULATOR PRESSURE ADJUSTMENT – The working range of knob adjustment is designed to permit outlet pressures within their full range. Pressure adjustment beyond this range is also possible because the knob is not a limiting device. This is a common characteristic of most industrial regulators, and limiting devices may be obtained only by special design. For best performance, regulated pressure should always be set by increasing the pressure up to the desired setting.

Gauges

| | | |
|---|---|---------------------|
| Square flush mount gauge | 0-4 bar | K4511SCR04B |
| | 0-11 bar | K4511SCR11B |
| | 0-60 psig | K4511SCR060 |
| | 0-160 psig | K4511SCR160 |
| Square with adapter kit | 0-4 bar | P6G-PR10040 |
| | 0-11 bar | P6G-PR10110 |
| | 0-60 psig | P6G-PR90060 |
| 1.00" Round 1/8" center back mount | 0-60 psig / 0-4 bar | K4510N18060 |
| | 0-160 psig / 0-11 bar | K4510N18160 |
| | 40mm Round 1/8" center back mount (Not for use with common port regulators) | 0-30 psig / 0-2 bar |
| 0-60 psig / 0-4 bar | | K4515N18060 |
| 0-160 psig / 0-11 bar | | K4515N18160 |

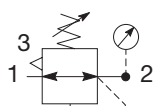
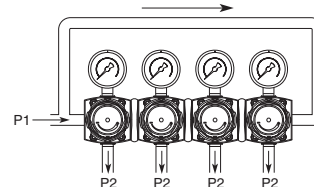
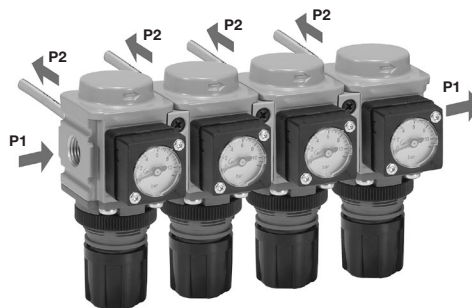
For best performance, regulated pressure should always be set by increasing the pressure up to the desired setting.

General
 Dial
 Pilot
 Proportional
 Precision
 Water
 K
 Regulator Products

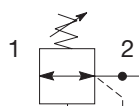


P31 Common P1 Regulators – Mini

- Manifold style regulator with line pressure on both sides
- Pressure output is at front or rear
- Inlet port 1/4" (NPT, BSPP & BSPT)
- Working port 1/8"
- Robust construction
- Secondary pressure ranges
- Secondary aspiration plus balanced poppet provides quick response and accurate pressure regulation
- Relieving & non-relieving types
- Non-rising knob



Self relieving regulator with gauge



Non-relieving regulator

Operating information

| | | |
|-----------------------------|-----|---|
| Flow capacity*: | 1/4 | 42 scfm (20 dm ³ /s, ANR) |
| Operating temperature: | | -4°F to 150°F (-20°C to 65.5°C) |
| Supply pressure (max): | | 300 psig (20 bar) |
| Adjusting range pressure: | | 30 psig (0-2 bar) 60 psig (0-4 bar) 125 psig (0-8 bar) 232 psig (0-16 bar) |
| P1 port size (inlet/outlet) | | 1/4 NPT, BSPP, BSPT |
| P2 regulated ports (2 ea.) | | 1/8 NPT, BSPP, BSPT |
| Weight: | | 0.66 lb (0.30 kg) |

* Inlet pressure 145 psig (10 bar). Secondary pressure 91.3 psig (6.3 bar).

| Port Size | Description (Relieving) | Gauge | Part Number |
|-----------|-------------------------|--------|--------------------|
| 1/4" | 125 psig (8 bar) | None | P31HB92BNNP |
| 1/4" | 125 psig (8 bar) | Square | P31HB92BN5P |

Ordering Information:

Basic Series

Global Modular Mini Common Regulator

P31HB

Thread type

BSPP 1
BSPT 2
NPT 9

Port size †

1/4 2

† Working port 1/8".

Relief

Relieving B
Non-Relieving N
Reverse Flow-Relieving R

Mounting

P Plastic Panel Mount Nut

Adjustment

N Non-Rising Knob

| With Square Gauge | | Adjustment Range | |
|-------------------|--------|------------------|---------------------------|
| | | With Round Gauge | |
| psig | bar | Z | 30 psig; 2 bar; 0.2 MPa |
| 1 = 30* | V = 2* | M | 60 psig; 4 bar; 0.4 MPa |
| 3 = 60 | S = 4 | G | 125 psig; 8 bar; 0.8 MPa |
| 5 = 125 | T = 8 | J | 232 psig; 16 bar; 1.6 MPa |
| | | Without Gauge | |
| | | Y | 30 psig; 2 bar; 0.2 MPa |
| | | L | 60 psig; 4 bar; 0.4 MPa |
| | | N | 125 psig; 8 bar; 0.8 MPa |
| | | H | 232 psig; 16 bar; 1.6 MPa |

* Regulator comes with gauge respective to the adjustment range selected.

Most popular.



For inventory, lead times, and kit lookup, visit www.pdnplu.com

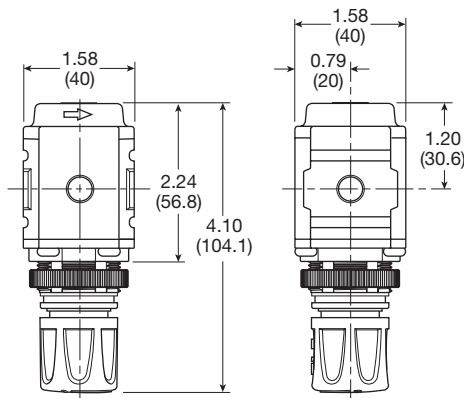
Mini Common P1 Regulators

Materials of Construction

| | |
|--------------------|------------------|
| Body | Aluminum |
| Adjustment knob | Acetal |
| Bonnet | Glass-filled PBT |
| Diaphragm assembly | Brass / Nitrile |
| Valve assembly | Brass / Nitrile |

Repair and Service Kits

| | |
|--|------------------|
| Diaphragm repair kit - relieving | P31KB00RB |
| Diaphragm repair kit - non-relieving | P31KB00RC |
| Panel mount nut - aluminum | P31KA00MM |
| Panel mount nut - plastic | P31KA00MP |
| Angle bracket (attaches via panel nut) | P31KB00MR |
| T-bracket with body connector | P31KA00MT |
| Body connector | P31KA00CB |



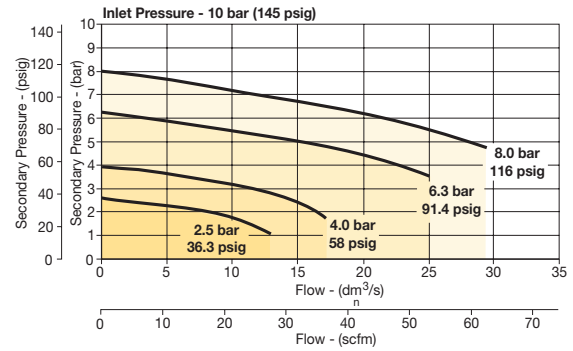
Inches (mm)

NOTE: 1.20 in. (30mm) hole required for panel nut mounting.

Air Preparation Products Regulator Products

Flow Charts

1/4 Common Regulator



⚠ WARNING

**Product rupture can cause serious injury.
Do not connect regulator to bottled gas.
Do not exceed Maximum primary pressure rating.**

CAUTION:

REGULATOR PRESSURE ADJUSTMENT – The working range of knob adjustment is designed to permit outlet pressures within their full range. Pressure adjustment beyond this range is also possible because the knob is not a limiting device. This is a common characteristic of most industrial regulators, and limiting devices may be obtained only by special design. For best performance, regulated pressure should always be set by increasing the pressure up to the desired setting.

Gauges

| | | |
|------------------------------------|-----------------------|--------------------|
| Square with adapter kit | 0-4 bar | P6G-PR10040 |
| | 0-11 bar | P6G-PR10110 |
| | 0-60 psig | P6G-PR90060 |
| | 0-160 psig | P6G-PR90160 |
| 1.00" round 1/8" center back mount | 0-60 psig / 0-4 bar | K4510N18060 |
| | 0-160 psig / 0-11 bar | K4510N18160 |

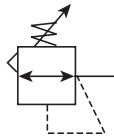
For best performance, regulated pressure should always be set by increasing the pressure up to the desired setting.



Economy Regulators

05R Regulators – Economy

- Secondary aspiration plus balanced poppet provides quick response and accurate pressure regulation.
- Rolling diaphragm for extended life.
- Removable non-rising knob for panel mounting and tamper resistance.
- Easily serviced.
- Reverse Flow.
- 1/4", 3/8" ports (NPT, BSPP)



| Port Size | Description | Part Number |
|-----------|--------------------|-----------------|
| 1/4" | Without Gauge | 05R113A* |
| 1/4" | With 160 Psi Gauge | 05R118A* |
| 3/8" | Without Gauge | 05R213A* |
| 3/8" | With 160 Psi Gauge | 05R218A* |

NOTE: 1.53 Dia. (39 mm) hole required for panel mounting.

Operating information

| | |
|---|---|
| Supply pressure (max): | 0 to 300 psig (0 to 20.7 bar) |
| For secondary pressure ranges see charts next page. | |
| Operating temperature: | 32°F to 175°F (0°C to 80°C) |
| Low temperature | -4°F to 125°F (-20°C to 52°C) |
| Flow capacity [†] : | |
| High flow | 1/4" 30 scfm (14.2 dm ³ /s, ANR) |
| | 3/8" 40 scfm (18.9 dm ³ /s, ANR) |
| Gauge ports (2): | 1/4 inch |
| Weight: | 1.1 lb (0.49 kg) |

[†] scfm = Standard cubic feet per minute at 100 psig inlet, 90 psig no flow secondary setting and 10 psig pressure drop.

Ordering Information:

05R

| Port Size | |
|-----------|---|
| 1/4 inch | 1 |
| 3/8 inch | 2 |

1

13

| Pressure Range | |
|----------------------|----|
| Without Gauge | |
| 60 psig | 11 |
| 125 psig | 13 |
| 200 psig | 14 |
| With Gauge* | |
| 60 psig | 16 |
| 125 psig | 18 |
| 200 psig | 19 |

* Includes 1-1/2" dial face gauge.

A

| Relief |
|-------------|
| A Relieving |

D

| Engineering Level |
|-------------------|
| D Current |

Blank

| Port Type |
|-----------|
| Blank NPT |

Most popular.



For inventory, lead times, and kit lookup, visit www.pdnplu.com

K20

Parker Hannifin Corporation
Pneumatic Division
Richland, Michigan
www.parker.com/pneumatics

Economy Regulators

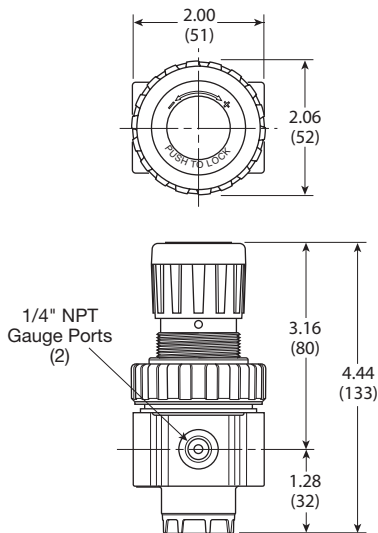
Material Specifications

| | |
|----------------------------|---------|
| Adjusting stem | Brass |
| Bonnet | Plastic |
| Body | Zinc |
| Collar, Knob | Plastic |
| Diaphragm | Nitrile |
| Poppet & cap | Plastic |
| Seals | Nitrile |
| Springs – poppet & control | Steel |

Repair and Service Kits

Bonnet assembly kit **PS915P**

| | |
|--|--------------------|
| Control knob | P04420 |
| 1-1/2" dial face 30 psig (0 to 2.1 bar), gauge | K4515N14030 |
| 1-1/2" dial face 60 psig (0 to 4.1 bar), gauge | K4515N14060 |
| 1-1/2" dial face 160 psig (0 to 11.0 bar), gauge | K4515N14160 |
| 1-1/2" dial face 300 psig (0 to 20.7 bar), gauge | K4515N14300 |
| 2" dial face 60 psig (0 to 4.1 bar), gauge | K4520N14060 |
| 2" dial face 160 psig (0 to 11.0 bar), gauge | K4520N14160 |
| 2" dial face 300 psig (0 to 20.7 bar), gauge | K4520N14300 |
| Mounting bracket kit | PS963P |
| Panel mount nut – metal | PS964P |
| 1-30 psig spring | P04427 |
| 1-60 psig spring | P04426 |
| 2-125 psig spring | P04425 |
| 2-200 psig spring | P02934 |
| Relieving service kit | PS908P |

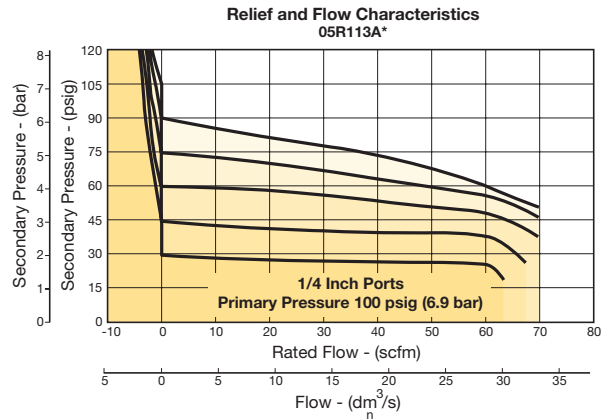


Inches (mm)

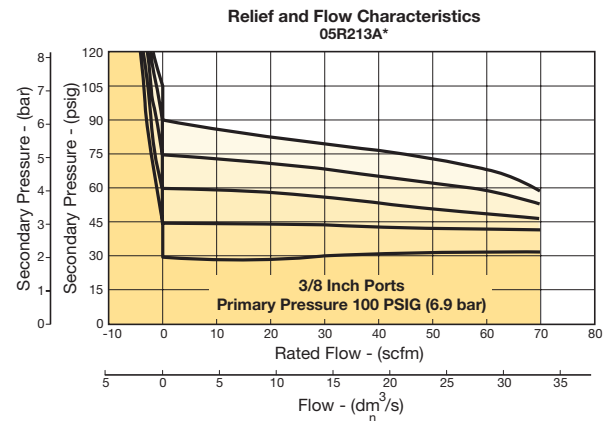
Air Preparation Products Regulator Products

Flow Charts

1/4" Regulator



3/8" Regulator



⚠ WARNING

**Product rupture can cause serious injury.
Do not connect regulator to bottled gas.
Do not exceed Maximum primary pressure rating.**

CAUTION:

REGULATOR PRESSURE ADJUSTMENT – The working range of knob adjustment is designed to permit outlet pressures within their full range. Pressure adjustment beyond this range is also possible because the knob is not a limiting device. This is a common characteristic of most industrial regulators, and limiting devices may be obtained only by special design. For best performance, regulated pressure should always be set by increasing the pressure up to the desired setting.

General

Dial

Pilot

Proportional

Precision

Water

K

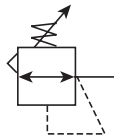
Regulator
Products



Compact Regulators

06R Regulators – Compact

- Secondary aspiration plus balanced poppet provides quick response and accurate pressure regulation
- Rolling diaphragm for extended life
- Two high flow 1/4" gauge ports can be used as additional outlets
- Easily serviced
- Removable non-rising knob for panel mounting and tamper resistance
- 1/4", 3/8", 1/2" ports (NPT, BSPP)



| Port Size | Description | Part Number |
|-----------|--------------------|-----------------|
| 1/4" | Without Gauge | 06R113AC |
| 1/4" | With 160 Psi Gauge | 06R118AC |
| 3/8" | Without Gauge | 06R213AC |
| 3/8" | With 160 Psi Gauge | 06R218AC |
| 1/2" | Without Gauge | 06R313AC |
| 1/2" | With 160 Psi Gauge | 06R318AC |

NOTE: 2.0 Dia. (51 mm) hole required for panel mounting.

Operating information

| | |
|------------------------------|---|
| Supply pressure (max): | 250 psig (17.2 bar) |
| Secondary pressure ranges: | |
| Standard | 2 to 125 psig (0 to 8.6 bar) |
| Low | 1 to 60 psig (0 to 4.1 bar) |
| High | 5 to 250 psig (0.4 to 17.2 bar) |
| Operating temperature: | 32°F to 175°F (0°C to 80°C) |
| Low temperature | -4°F to 125°F (-20°C to 52°C) |
| Flow capacity [†] : | |
| High flow | 1/4" 53 scfm (25 dm ³ /s, ANR) |
| | 3/8" 60 scfm (28.3 dm ³ /s, ANR) |
| | 1/2" 75 scfm (35.4 dm ³ /s, ANR) |
| Gauge ports (2): | 1/4 inch (can be used as additional full flow 1/4 inch outlet ports) |
| Weight: | 1.6 lb (0.7 kg) |

[†] scfm = Standard cubic feet per minute at 100 psig inlet, 90 psig no flow secondary setting and 10 psig pressure drop.

Ordering Information:

06R

| Port Size | |
|-----------|---|
| 1/4 inch | 1 |
| 3/8 inch | 2 |
| 1/2 inch | 3 |

1

13

| Pressure Range | |
|----------------|----|
| Without Gauge | |
| 60 psig | 11 |
| 125 psig | 13 |
| 250 psig | 15 |
| With Gauge* | |
| 60 psig | 16 |
| 125 psig | 18 |
| 250 psig | 21 |

* Includes 1-1/2" dial face gauge.

A

| Relief | |
|---------------|---|
| Relieving | A |
| Non-Relieving | L |

C

| Engineering Level | |
|-------------------|---|
| Current | C |

| Preset / Pressure Limited | |
|---------------------------|-----------------|
| Blank | None |
| XXX* | Preset Pressure |

* Available preset / pressure limited range, 10 to 90 psig in 5 psig increments. For higher pressures, contact factory.
(Example: 065 = 65 psig)

| Options | |
|----------------|-----------------------|
| Blank | No Option |
| L [†] | Preset Non-Adjustable |
| P [†] | Preset Adjustable |
| R | Reverse Flow |

† Inlet Pressure is 100 psig. For other pressures, contact factory.

| Port Type | |
|-----------|------|
| Blank | NPT |
| 1* | BSPP |

* 1/4 & 3/8 inch meet ISO 1179-1 Standard.

Spring Type by Preset / Limited Pressure:
 For Preset / Limited Pressure 26 to 50 use 60 psi spring
 For Preset / Limited Pressure 51 to 90 use 125 psi spring

Most popular.



For inventory, lead times, and kit lookup, visit www.pdnplu.com

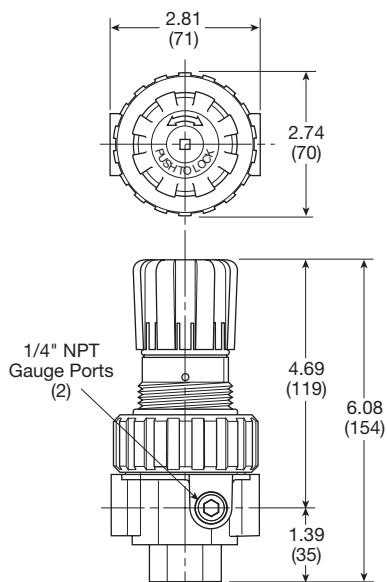
Compact Regulators

Material Specifications

| | |
|---|-----------|
| Adjusting stem | Steel |
| Body | Zinc |
| Bonnet, piston stem, valve poppet & cap | Plastic |
| Collar, knob | Plastic |
| Diaphragm | Nitrile |
| Seals | Nitrile |
| Spring, poppet | Stainless |
| Spring, control | Steel |

Repair and Service Kits

| | |
|---|---------------------|
| Bonnet assembly kit | PS715P |
| Control knob | P04069B |
| 2" dial face 60 psig (0 to 4.1 bar), gauge | K4520N14060 |
| 2" dial face 160 psig (0 to 11.0 bar), gauge | K4520N14160 |
| 2" dial face 300 psig (0 to 20.7 bar), gauge | K4520N14300 |
| 1-3/4" digital round face 160 psig (0 to 11.0 bar) gauge | K4517N14160D |
| Mounting bracket kit (includes panel mount nut) | PS707P |
| Panel mount nut, plastic | P04082 |
| Panel mount nut, metal | P04079B |
| Reverse flow service conversion kit, relieving | PS708RP |
| Relieving (includes poppet) | PS708P |
| Non-relieving (includes poppet) | PS709P |
| 1-30 psig spring | P01698 |
| 1-60 psig spring | P04062 |
| 2-125 psig spring | P04063 |
| 5-250 psig spring | P04064 |
| Tamperproof kit | PS737P |

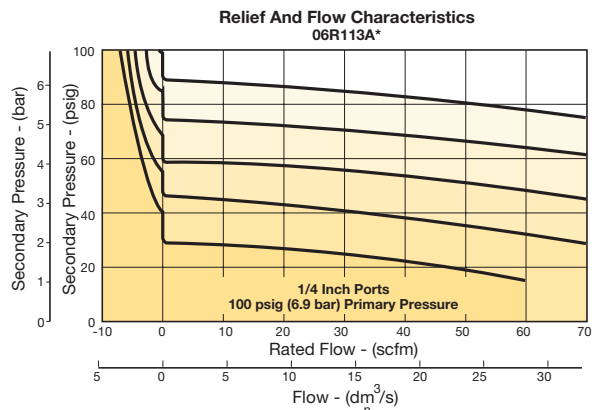


Inches (mm)

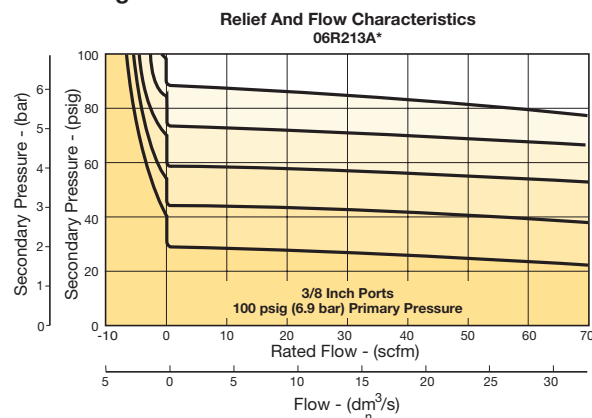
Air Preparation Products Regulator Products

Flow Charts

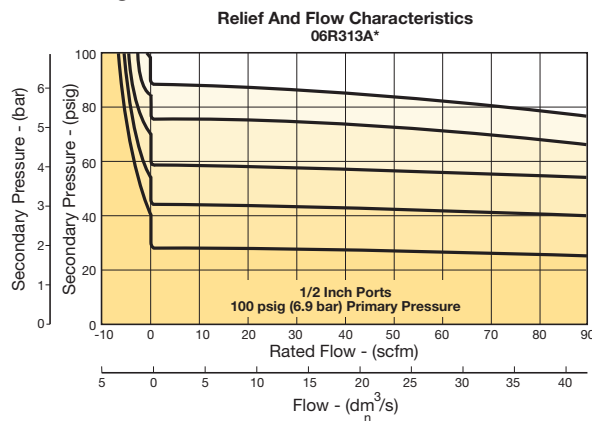
06R 1/4" Regulator



06R 3/8" Regulator



06R 1/2" Regulator



WARNING

Product rupture can cause serious injury.
Do not connect regulator to bottled gas.
Do not exceed Maximum primary pressure rating.

CAUTION:

REGULATOR PRESSURE ADJUSTMENT – The working range of knob adjustment is designed to permit outlet pressures within their full range. Pressure adjustment beyond this range is also possible because the knob is not a limiting device. This is a common characteristic of most industrial regulators, and limiting devices may be obtained only by special design. For best performance, regulated pressure should always be set by increasing the pressure up to the desired setting.



For inventory, lead times, and kit lookup, visit www.pdnplu.com

K21b

Parker Hannifin Corporation
Pneumatic Division
Richland, Michigan
www.parker.com/pneumatics

General

Dial

Pilot

Proportional

Precision

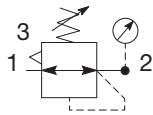
Water

K

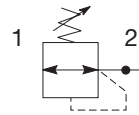
Regulator Products

P32 Regulators – Compact

- Integral 1/4", 3/8" or 1/2" ports (NPT, BSPP & BSPT)
- Robust but lightweight aluminum construction
- Secondary pressure ranges
- Secondary aspiration plus balanced poppet provides quick response and accurate pressure regulation
- Relieving & non-relieving types
- Non-rising knob
- Available T-handle



Self relieving regulator with gauge



Non-relieving regulator

| Port Size | Description (Relieving) | Gauge | Part Number |
|-----------|-------------------------|-------|--------------------|
| 1/4" | 125 psig (8 bar) | None | P32RB92BNNP |
| 1/4" | 125 psig (8 bar) | Round | P32RB92BNGP |
| 3/8" | 125 psig (8 bar) | None | P32RB93BNNP |
| 3/8" | 125 psig (8 bar) | Round | P32RB93BNGP |
| 1/2" | 125 psig (8 bar) | None | P32RB94BNNP |
| 1/2" | 125 psig (8 bar) | Round | P32RB94BNGP |

Operating information

| | |
|---------------------------|---------------------------------------|
| Flow capacity*: | 148 scfm (70 dm ³ /s, ANR) |
| 1/4 | 165 scfm (78 dm ³ /s, ANR) |
| 3/8, 1/2 | |
| Operating temperature: | -13°F to 150°F (-25°C to 65.5°C) |
| Supply pressure (max): | 300 psig (20 bar) |
| Adjusting range pressure: | 30 psig (0-2 bar) |
| | 60 psig (0-4 bar) |
| | 125 psig (0-8 bar) |
| | 250 psig (0-17 bar) |
| Gauge port (2 each) | 1/4 NPT, BSPP, BSPT |
| Weight: | 0.90 lb (0.41 kg) |

* Inlet pressure 145 psig (10 bar). Secondary pressure 91.3 psig (6.3 bar).

Ordering Information:

| P32RB | 9 | 2 | B | N | G | P | | | | | | | | | | | | | | | | | | | | | | | | | | | | |
|--|---|---|---|--|--|--|-------------------|--|------------------|--|------|-----|---|---|---------|--------|-------------------------|-------------------------|--------|-------|----------------------------|-----------------------------|---------|-------|----------------------|--|--|--|---------------------------|---------------------------|--|--|----------------------------|-----------------------------|
| Basic Series Global Modular Compact Regulator P32RB | Thread type BSPP 1 BSPT 2 NPT 9 | Port Size 1/4 2 3/8 3 1/2 4 | Relief Relieving B Non-Relieving N | Adjustment N Non-Rising Knob T T-Handle | Mounting P Plastic Panel Mount Nut | Adjustment Range | | | | | | | | | | | | | | | | | | | | | | | | | | | | |
| | | | | | | <table border="1"> <thead> <tr> <th colspan="2">With Square Gauge</th> <th colspan="2">With Round Gauge</th> </tr> <tr> <th>psig</th> <th>bar</th> <th>Z</th> <th>M</th> </tr> </thead> <tbody> <tr> <td>1 = 30*</td> <td>V = 2*</td> <td>30 psig; 2 bar; 0.2 MPa</td> <td>60 psig; 4 bar; 0.4 MPa</td> </tr> <tr> <td>3 = 60</td> <td>S = 4</td> <td>G 125 psig; 8 bar; 0.8 MPa</td> <td>J 250 psig; 17 bar; 1.7 MPa</td> </tr> <tr> <td>5 = 125</td> <td>T = 8</td> <td colspan="2">Without Gauge</td> </tr> <tr> <td></td> <td></td> <td>Y 30 psig; 2 bar; 0.2 MPa</td> <td>L 60 psig; 4 bar; 0.4 MPa</td> </tr> <tr> <td></td> <td></td> <td>N 125 psig; 8 bar; 0.8 MPa</td> <td>H 250 psig; 17 bar; 1.7 MPa</td> </tr> </tbody> </table> | With Square Gauge | | With Round Gauge | | psig | bar | Z | M | 1 = 30* | V = 2* | 30 psig; 2 bar; 0.2 MPa | 60 psig; 4 bar; 0.4 MPa | 3 = 60 | S = 4 | G 125 psig; 8 bar; 0.8 MPa | J 250 psig; 17 bar; 1.7 MPa | 5 = 125 | T = 8 | Without Gauge | | | | Y 30 psig; 2 bar; 0.2 MPa | L 60 psig; 4 bar; 0.4 MPa | | | N 125 psig; 8 bar; 0.8 MPa | H 250 psig; 17 bar; 1.7 MPa |
| With Square Gauge | | With Round Gauge | | | | | | | | | | | | | | | | | | | | | | | | | | | | | | | | |
| psig | bar | Z | M | | | | | | | | | | | | | | | | | | | | | | | | | | | | | | | |
| 1 = 30* | V = 2* | 30 psig; 2 bar; 0.2 MPa | 60 psig; 4 bar; 0.4 MPa | | | | | | | | | | | | | | | | | | | | | | | | | | | | | | | |
| 3 = 60 | S = 4 | G 125 psig; 8 bar; 0.8 MPa | J 250 psig; 17 bar; 1.7 MPa | | | | | | | | | | | | | | | | | | | | | | | | | | | | | | | |
| 5 = 125 | T = 8 | Without Gauge | | | | | | | | | | | | | | | | | | | | | | | | | | | | | | | | |
| | | Y 30 psig; 2 bar; 0.2 MPa | L 60 psig; 4 bar; 0.4 MPa | | | | | | | | | | | | | | | | | | | | | | | | | | | | | | | |
| | | N 125 psig; 8 bar; 0.8 MPa | H 250 psig; 17 bar; 1.7 MPa | | | | | | | | | | | | | | | | | | | | | | | | | | | | | | | |

* Regulator comes with gauge respective to the adjustment range selected.

Most popular.



For inventory, lead times, and kit lookup, visit www.pdnplu.com

K22

Parker Hannifin Corporation
 Pneumatic Division
 Richland, Michigan
www.parker.com/pneumatics

Material Specifications

| | |
|--------------------|------------------------|
| Body | Aluminum |
| Adjustment knob | Acetal |
| Bonnet | Glass-filled nylon |
| Diaphragm assembly | Nitrile / Zinc |
| Valve assembly | Brass / Nitrile |
| Springs | Steel, stainless steel |
| Seals | Nitrile |
| Panel nut | Acetal |

Repair and Service Kits

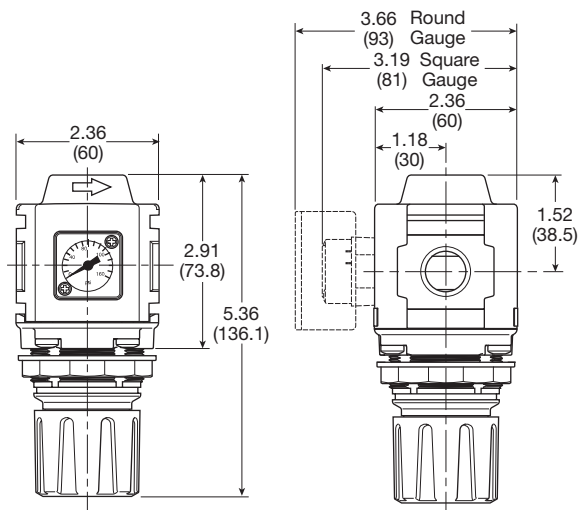
| | |
|--|------------------|
| Diaphragm repair kit - relieving | P32KB00RB |
| Diaphragm repair kit - non-relieving | P32KB00RC |
| Panel mount nut - aluminum | P32KA00MM |
| Panel mount nut - plastic | P32KA00MP |
| Angle bracket (attaches via panel nut) | P32KB00MR |
| T-bracket with body connector | P32KA00MT |
| T-bracket | P32KA00MB |
| Body connector | P32KA00CB |

WARNING

Product rupture can cause serious injury. Do not connect regulator to bottled gas. Do not exceed Maximum primary pressure rating.

CAUTION:

REGULATOR PRESSURE ADJUSTMENT – The working range of knob adjustment is designed to permit outlet pressures within their full range. Pressure adjustment beyond this range is also possible because the knob is not a limiting device. This is a common characteristic of most industrial regulators, and limiting devices may be obtained only by special design. For best performance, regulated pressure should always be set by increasing the pressure up to the desired setting.

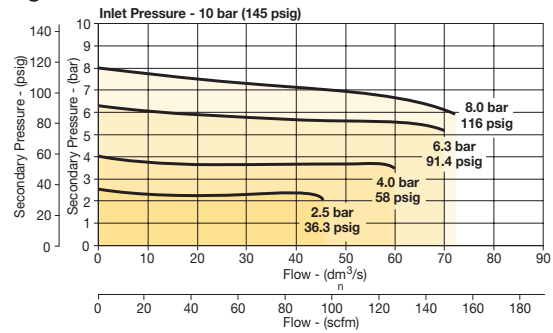


Inches (mm)

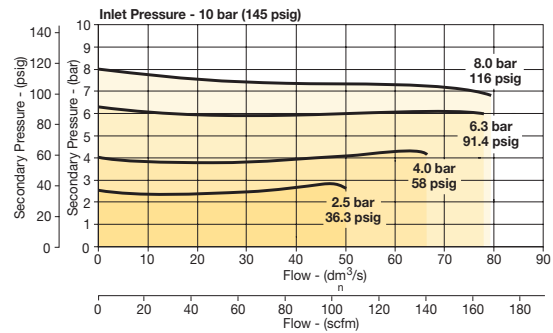
NOTE: 1.90 in. (48mm) hole required for panel nut mounting.

Flow Charts

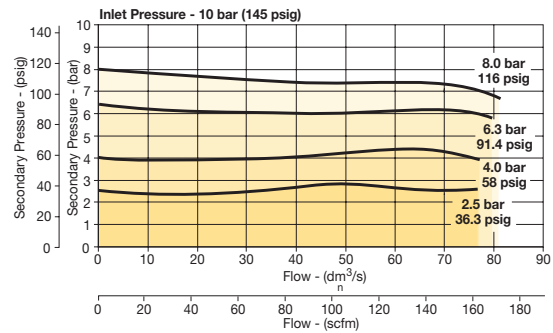
1/4 Regulator



3/8 Regulator



1/2 Regulator



Gauges

| | | |
|--|-----------------------|--------------------|
| Square flush mount gauge | 0-4 bar | K4511SCR04B |
| | 0-11 bar | K4511SCR11B |
| | 0-60 psig | K4511SCR060 |
| | 0-160 psig | K4511SCR160 |
| Square with adapter kit | 0-4 bar | P6G-PR10040 |
| | 0-11 bar | P6G-PR10110 |
| | 0-60 psig | P6G-PR90060 |
| | 0-160 psig | P6G-PR90160 |
| 50mm (2") round 1/4" center back mount | 0-30 psig / 0-2 bar | K4520N14030 |
| | 0-60 psig / 0-4 bar | K4520N14060 |
| | 0-160 psig / 0-11 bar | K4520N14160 |
| | 0-300 psig / 0-20 bar | K4520N14300 |

For best performance, regulated pressure should always be set by increasing the pressure up to the desired setting.



For inventory, lead times, and kit lookup, visit www.pdnplu.com

General

Dial

Pilot

Proportional

Precision

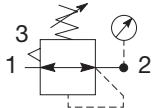
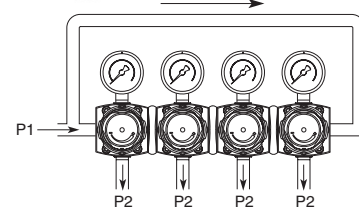
Water

K

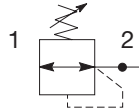
Regulator Products

P32 Common - P1 Regulator – Compact

- Manifold style regulator with line pressure on both sides.
- Pressure output is at front or rear.
- Inlet ports 1/4", 3/8" or 1/2" (NPT, BSPP & BSPT)
- Working port 1/4"
- Robust construction
- Secondary pressure ranges
- Secondary aspiration plus balanced poppet provides quick response and accurate pressure regulation
- Relieving & non-relieving types
- Non-rising knob



Self relieving regulator with gauge



Non-relieving regulator

| Port Size | Description (Relieving) | Gauge | Part Number |
|-----------|-------------------------|-------|--------------------|
| 1/4" | 125 psig (8 bar) | None | P32HB92BNNP |
| 3/8" | 125 psig (8 bar) | None | P32HB93BNNP |
| 1/2" | 125 psig (8 bar) | None | P32HB94BNNP |

Operating information

| | |
|---|---|
| Flow capacity*: | 30 dm ³ /s (64 scfm) |
| Operating temperature: | -25°C to 65.5°C (-13°F to 150°F) |
| Supply pressure (max): | 300 psig (20 bar) |
| Adjusting range pressure: | 0 to 30 psig (0 to 2 bar) 0 to 60 psig (0 to 4 bar) 0 to 125 psig (0 to 8 bar) 0 to 232 psig (0 to 16 bar) |
| Gauge port (2 each): | 1/4 NPT, BSPP, BSPT |
| Weight: | 0.50 lb (1.10 kg) |
| * Inlet pressure 145 psig (10 bar). Secondary pressure 91.3 psig (6.3 bar). | |

Ordering Information:

P32HB 9 2 B N N P

| | | | | | |
|--|---|---|---|--|---------------------------|
| Basic Series Global Modular Compact Regulator P32HB | Thread Type BSPP 1 BSPT 2 NPT 9 | Port Size † 1/4 2 3/8 3 1/2 4 | Relief Relieving B Non-Relieving N | Mounting P Plastic Panel Mount Nut | Adjustment Range |
| | | | | With Square Gauge | With Round Gauge |
| | | | | psig | bar |
| | | | | 1 = 30* | V = 2* |
| | | | | 3 = 60 | S = 4 |
| | | | | 5 = 125 | T = 8 |
| | | | | Without Gauge | |
| | | | | Y | 30 psig; 2 bar; 0.2 MPa |
| | | | | L | 60 psig; 4 bar; 0.4 MPa |
| | | | | N | 125 psig; 8 bar; 0.8 MPa |
| | | | | H | 250 psig; 17 bar; 1.7 MPa |

† Working port 1/4".

* Regulator comes with gauge respective to the adjustment range selected.

| |
|-------------------|
| Adjustment |
| N Non-Rising Knob |
| T T-Handle |

Most popular.



For inventory, lead times, and kit lookup, visit www.pdnplu.com

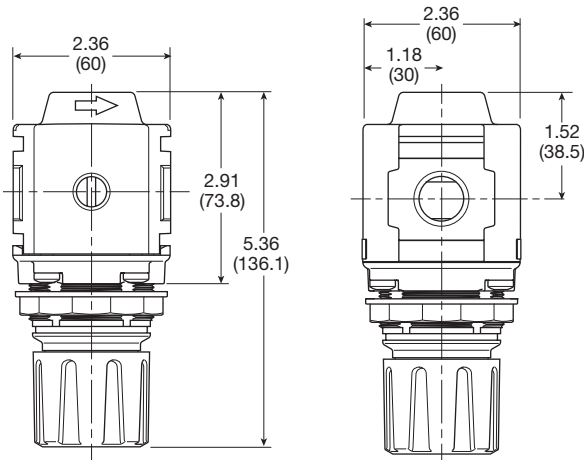
Compact Common P1 Precision Regulator

Material Specifications

| | |
|--------------------|------------------------|
| Body | Aluminum |
| Adjustment knob | Acetal |
| Bonnet | Glass-filled nylon |
| Diaphragm assembly | Nitrile / zinc |
| Valve assembly | Brass / nitrile |
| Springs | Steel, stainless steel |
| Seals | Nitrile |
| Panel nut | Acetal |

Repair and Service Kits

| | |
|--|------------------|
| Diaphragm repair kit - relieving | P32KB00RB |
| Diaphragm repair kit - non-relieving | P32KB00RC |
| Panel mount nut - aluminum | P32KA00MM |
| Panel mount nut - plastic | P32KA00MP |
| Angle bracket (attaches via panel nut) | P32KB00MR |
| T-bracket with body connector | P32KA00MT |
| T-bracket | P32KA00MB |
| Body connector | P32KA00CB |



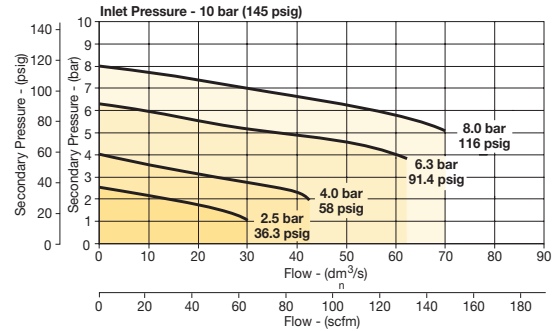
Inches (mm)

NOTE: 1.90 in. (48mm) hole required for panel nut mounting.

Air Preparation Products Regulator Products

Flow Charts

P32 Common Port Regulator



⚠ WARNING

**Product rupture can cause serious injury.
Do not connect regulator to bottled gas.
Do not exceed Maximum primary pressure rating.**

CAUTION:

REGULATOR PRESSURE ADJUSTMENT – The working range of knob adjustment is designed to permit outlet pressures within their full range. Pressure adjustment beyond this range is also possible because the knob is not a limiting device. This is a common characteristic of most industrial regulators, and limiting devices may be obtained only by special design. For best performance, regulated pressure should always be set by increasing the pressure up to the desired setting.

Gauges

| | | |
|--|-----------------------|--------------------|
| Square flush mount gauge | 0-4 bar | K4511SCR04B |
| | 0-11 bar | K4511SCR11B |
| | 0-60 psig | K4511SCR060 |
| | 0-160 psig | K4511SCR160 |
| Square with adapter kit | 0-4 bar | P6G-PR10040 |
| | 0-11 bar | P6G-PR10110 |
| | 0-60 psig | P6G-PR90060 |
| | 0-160 psig | P6G-PR90160 |
| 50mm (2") round 1/4" center back mount | 0-30 psig / 0-2 bar | K4520N14030 |
| | 0-60 psig / 0-4 bar | K4520N14060 |
| | 0-160 psig / 0-11 bar | K4520N14160 |
| | 0-300 psig / 0-20 bar | K4520N14300 |

For best performance, regulated pressure should always be set by increasing the pressure up to the desired setting.

General

Dial

Pilot

Proportional

Precision

Water

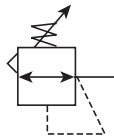
K

Regulator Products



07R Regulators – Standard

- Secondary aspiration plus balanced poppet provides quick response and accurate pressure regulation
- Rolling diaphragm for extended life
- Two high flow 1/4" gauge ports can be used as additional outlets
- Easily serviced
- Removable non-rising knob for panel mounting and tamper resistance
- 1/2", 3/4" ports (NPT, BSPP)



| Port Size | Description | Part Number |
|-----------|--------------------|-----------------|
| 1/2" | Without Gauge | 07R313AC |
| 1/2" | With 160 Psi Gauge | 07R318AC |
| 3/4" | Without Gauge | 07R413AC |
| 3/4" | With 160 Psi Gauge | 07R418AC |

NOTE: 2.0 Dia. (51 mm) hole required for panel mounting.

Operating information

| | | |
|---------------------------|--|--|
| Supply pressure (max): | 250 psig (17.2 bar) | |
| Secondary pressure ranges | Standard 2 to 125 psig (0 to 8.6 bar) Low 1 to 60 psig (0 to 4.1 bar) High 5 to 250 psig (0.4 to 17.2 bar) | |
| Operating temperature: | 32°F to 175°F (0°C to 80°C) | |
| Low temperature | -4°F to 125°F (-20°C to 52°C) | |
| Flow capacity†: | High flow 1/2" 90 scfm (42.5 dm³/s, ANR) 3/4" 90 scfm (42.5 dm³/s, ANR) | |
| Gauge ports (2): | 1/4 inch (can be used as additional full flow 1/4 inch outlet ports) | |
| Weight: | 2.5 lb (1.1 kg) | |

† scfm = Standard cubic feet per minute at 100 psig inlet, 90 psig no flow secondary setting and 10 psig pressure drop.

Ordering Information:

| | | | | | | | |
|------------------|----------|------------------------------------|----------|----------|--|---|----------------------------------|
| 07R | 3 | 13 | A | C | | | |
| Port Size | | | | | | | Preset / Pressure Limited |
| 1/2 inch | 3 | | | | | | Blank None |
| 3/4 inch | 4 | | | | | | XXX* Preset Pressure |
| | | Pressure Range | | | | | |
| | | Without Gauge | | | | | |
| | | 60 psig | 11 | | | | |
| | | 125 psig | 13 | | | | |
| | | 250 psig | 15 | | | | |
| | | With Gauge* | | | | | |
| | | 60 psig | 16 | | | | |
| | | 125 psig | 18 | | | | |
| | | 250 psig | 21 | | | | |
| | | * Includes 1-1/2" dial face gauge. | | | | | |
| | | Relief | | | | | |
| | | Relieving | A | | | | |
| | | Non-Relieving | L | | | | |
| | | Engineering Level | | | | | |
| | | Current | C | | | | |
| | | | | | Port Type | | |
| | | | | | Blank NPT | | |
| | | | | | 1* BSPP | | |
| | | | | | * 1/4 & 3/8 inch meet ISO 1179-1 Standard. | | |
| | | | | | | Options | |
| | | | | | | Blank No Option | |
| | | | | | | L † Preset Non-Adjustable | |
| | | | | | | P † Preset Adjustable | |
| | | | | | | R Reverse Flow | |
| | | | | | | † Inlet Pressure is 100 psig. For other pressures, contact factory. | |
| | | | | | | | |

Spring Type by Preset / Limited Pressure:
 For Preset / Limited Pressure 26 to 50 use 60 psi spring
 For Preset / Limited Pressure 51 to 90 use 125 psi spring

Most popular.



For inventory, lead times, and kit lookup, visit www.pdnplu.com

K26

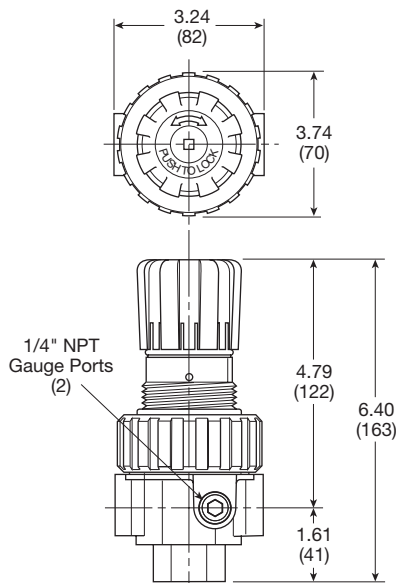
Parker Hannifin Corporation
 Pneumatic Division
 Richland, Michigan
www.parker.com/pneumatics

Material Specifications

| | |
|---|-----------|
| Adjusting stem | Steel |
| Body | Zinc |
| Bonnet, piston stem, valve poppet & cap | Plastic |
| Collar, knob | Plastic |
| Diaphragm | Nitrile |
| Seals | Nitrile |
| Spring, poppet | Stainless |
| Spring, control | Steel |

Repair and Service Kits

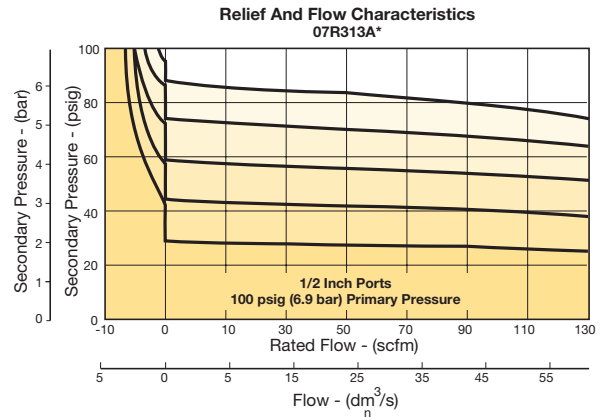
| | |
|--|---------------------|
| Bonnet assembly kit | PS715P |
| Control knob | P04069B |
| 2" dial face 60 psig (0 to 4.1 bar), gauge | K4520N14060 |
| 2" dial face 160 psig (0 to 11.0 bar), gauge | K4520N14160 |
| 2" dial face 300 psig (0 to 20.7 bar), gauge | K4520N14300 |
| 1-3/4" digital round face 160 psig (0 to 11.0 bar), gauge | K4517N14160D |
| Mounting bracket kit (includes panel mount nut) | PS807P |
| Panel mount nut, plastic | P04082 |
| Panel Mount nut, metal | P04079B |
| Reverse flow service conversion kit, relieving | PS808RP |
| Relieving (includes poppet) | PS808P |
| Non-relieving (includes poppet) | PS809P |
| 1-30 psig spring | P01698 |
| 1-60 psig spring | P04062 |
| 2-125 psig spring | P04063 |
| 5-250 psig spring | P04064 |
| Tamperproof kit | PS737P |



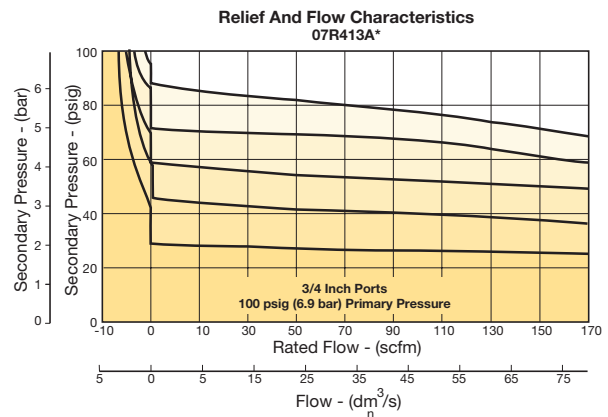
Inches (mm)

Flow Charts

1/2" Regulator



3/4" Regulator



⚠ WARNING

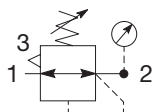
**Product rupture can cause serious injury.
 Do not connect regulator to bottled gas.
 Do not exceed Maximum primary pressure rating.**

CAUTION:
REGULATOR PRESSURE ADJUSTMENT – The working range of knob adjustment is designed to permit outlet pressures within their full range. Pressure adjustment beyond this range is also possible because the knob is not a limiting device. This is a common characteristic of most industrial regulators, and limiting devices may be obtained only by special design. For best performance, regulated pressure should always be set by increasing the pressure up to the desired setting.

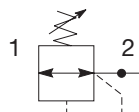


P33 Regulators – Standard

- Integral 1/2" or 3/4" ports (NPT, BSPP & BSPT)
- Robust but lightweight aluminum construction
- Secondary pressure ranges
- Secondary aspiration plus balanced poppet provides quick response and accurate pressure regulation
- Relieving & non-relieving types
- Non-rising knob



Self relieving regulator with gauge



Non-relieving regulator

| Port Size | Description (Relieving) | Gauge | Part Number |
|-----------|-------------------------|-------|--------------------|
| 1/2" | 125 psig (8 bar) | None | P33RA94BNNP |
| 1/2" | 125 psig (8 bar) | Round | P33RA94BNGP |
| 3/4" | 125 psig (8 bar) | None | P33RA96BNNP |
| 3/4" | 125 psig (8 bar) | Round | P33RA96BNGP |

Operating information

| | | |
|---|----------|---|
| Flow capacity*: | 1/2, 3/4 | 233 scfm (110 dm ³ /s, ANR) |
| Operating temperature: | | -13°F to 150°F (-25°C to 65.5°C) |
| Supply pressure (max): | | 300 psig (20 bar) |
| Adjusting range pressure: | | 0 to 30 psig (0 to 2 bar) 0 to 60 psig (0 to 4 bar) 0 to 125 psig (0 to 8 bar) 0 to 250 psig (0 to 17 bar) |
| Gauge port (2 each): | | 1/4 NPT, BSPP, BSPT |
| Weight: | | 1.61 lb (0.62 kg) |
| * Inlet pressure 145 psig (10 bar). Secondary pressure 91.3 psig (6.3 bar). | | |

Ordering Information:

P33RA 9 6 B N G P

| | | | | | | |
|--|--------------|---|------------------------------------|---|--|--|
| Basic Series Global Modular Standard Regulator | P33RA | Thread Type BSPP 1 BSPT 2 NPT 9 | Port Size 1/2 4 3/4 6 | Relief Relieving B Non-Relieving N Reverse Flow-Relieving R | Adjustment Non-Rising Knob N | Mounting P Plastic Panel Mount Nut |
| Adjustment Range | | | Without Gauge | | | |
| With Round Gauge | | | Z | 30 psig; 2 bar; 0.2 MPa | | |
| | | | M | 60 psig; 4 bar; 0.4 MPa | | |
| | | | G | 125 psig; 8 bar; 0.8 MPa | | |
| | | | J | 250 psig; 17 bar; 1.7 MPa | | |
| | | | Y | 30 psig; 2 bar; 0.2 MPa | | |
| | | | L | 60 psig; 4 bar; 0.4 MPa | | |
| | | | N | 125 psig; 8 bar; 0.8 MPa | | |
| | | | H | 250 psig; 17 bar; 1.7 MPa | | |

Most popular.



For inventory, lead times, and kit lookup, visit www.pdnplu.com

K28

Parker Hannifin Corporation
 Pneumatic Division
 Richland, Michigan
www.parker.com/pneumatics

Material Specifications

| | |
|--------------------|------------------------|
| Body | Aluminum |
| Adjustment knob | Acetal |
| Body cap | ABS |
| Bonnet | Glass-filled nylon |
| Diaphragm assembly | Nitrile / zinc |
| Valve assembly | Brass / nitrile |
| Springs | Steel, stainless steel |
| Seals | Nitrile |
| Panel nut | Acetal |

Repair and Service Kits

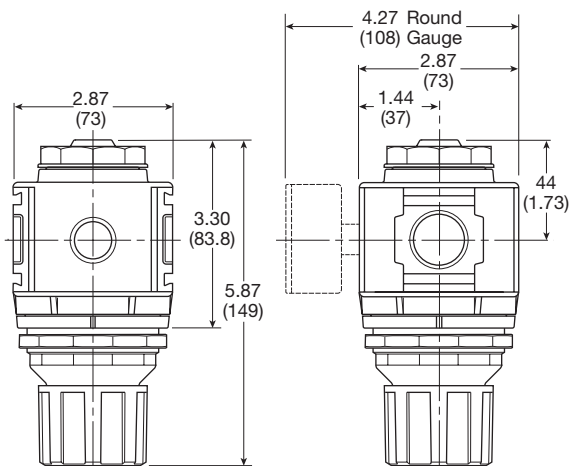
| | |
|--|------------------|
| Diaphragm repair kit - relieving | P33KA00RB |
| Diaphragm repair kit - non-relieving | P33KA00RC |
| Panel mount nut - aluminum | P33KA00MM |
| Panel mount nut - plastic | P33KA00MP |
| Angle bracket (attaches via panel nut) | P33KA00MR |
| T-bracket with body connector | P32KA00MT |
| T-bracket | P32KA00MB |
| Body connector | P32KA00CB |

⚠ WARNING

**Product rupture can cause serious injury.
 Do not connect regulator to bottled gas.
 Do not exceed Maximum primary pressure rating.**

CAUTION:

REGULATOR PRESSURE ADJUSTMENT – The working range of knob adjustment is designed to permit outlet pressures within their full range. Pressure adjustment beyond this range is also possible because the knob is not a limiting device. This is a common characteristic of most industrial regulators, and limiting devices may be obtained only by special design. For best performance, regulated pressure should always be set by increasing the pressure up to the desired setting.

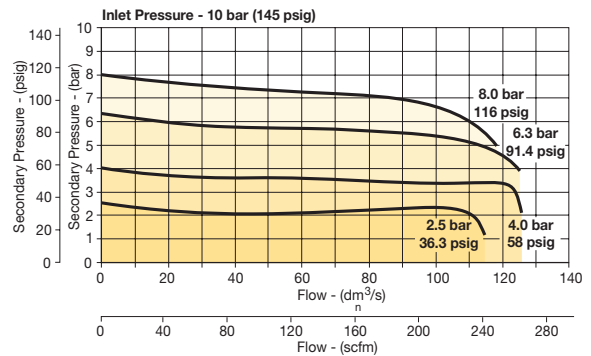


Inches (mm)

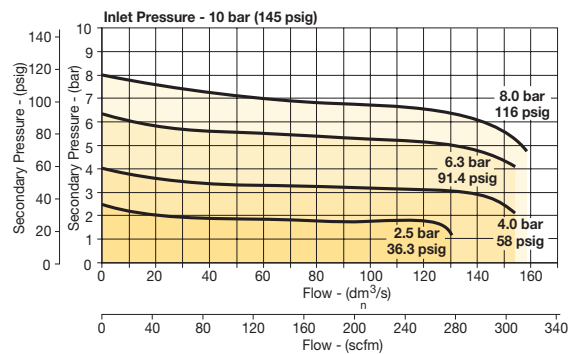
NOTE: 2.40 in. (61mm) hole required for panel nut mounting.

Flow Charts

1/2 Regulator



3/4 Regulator



Gauges

| | | |
|------------------------|-----------------------|--------------------|
| 50mm (2") round | 0-30 psig / 0-2 bar | K4520N14030 |
| 1/4" center back mount | 0-60 psig / 0-4 bar | K4520N14060 |
| | 0-160 psig / 0-11 bar | K4520N14160 |
| | 0-300 psig / 0-20 bar | K4520N14300 |

For best performance, regulated pressure should always be set by increasing the pressure up to the desired setting.



For inventory, lead times, and kit lookup, visit www.pdnplu.com

General

Dial

Pilot

Proportional

Precision

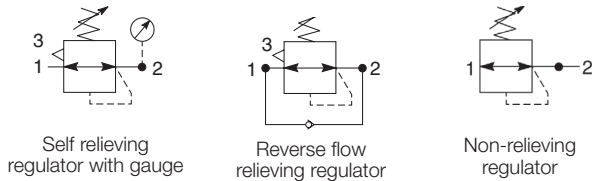
Water

K

Regulator Products

P3Y Regulators

- Integral 3/4" or 1" ports (BSPP and NPT)
- Robust but lightweight aluminium construction
- Secondary pressure ranges 12 and 16 bar
- Rolling diaphragm for extended life
- Secondary aspiration plus rolling diaphragm provides quick response and accurate pressure regulation
- Optional tamperproof regulator padlock
- Reverse flow / relieving option
- Low temperature -40°C (-40°F)



Operating information

| | |
|-------------------------|--|
| Supply pressure (max)*: | 254 psig (17.5 bar) |
| Operating temperature: | -40°F to 140°F (-40°C to 60°C) |
| Flow capacity†: | 3/4" 380 scfm (179.3 dm³/s, ANR) 1" 550 scfm (259.6 dm³/s, ANR) |
| Fluid: | Compressed air |
| Gauge port (x2) | 1/4" |
| Weight: | 2.4 lb (1.08 kg) |

† Inlet pressure 145 psig (10 bar) inlet pressure, 91.4 psig (6.3 bar) set pressure and 7.3 psig (0.5 bar) pressure drop.
* Air supply must be dry enough to avoid ice formation at temperatures below 35.6°F (2°C).

| Port Size | Description | Part Number |
|-----------|-------------------------------------|--------------------|
| 3/4" | 174 psig relieving | P3YRA96BNEN |
| 3/4" | 174 psig relieving + pressure gauge | P3YRA96BNFN |
| 1" | 174 psig relieving | P3YRA98BNEN |
| 1" | 174 psig relieving + pressure gauge | P3YRA98BNFN |

Ordering Information

P3YRA 9 6 B N E N

| | | | | | |
|---------------------|---------------------|------------------|---|---------------------------|--|
| Basic Series | Thread Type* | Port Size | Relief | Lockable | Adjustment Range |
| Regulator P3YRA | BSPP 1 NPT 9 | 3/4 6 1 8 | B Relieving R Reverse Flow / Relieving | N Standard A† Lockable | E 0 to 174 psi (0 to 12 bar), No Gauge H 0 to 232 psi (0 to 16 bar), No Gauge F 0 to 174 psi (0 to 12 bar), Gauge J 0 to 232 psi (0 to 16 bar), Gauge |

Notes:
* For 1-1/2" ported unit, please order P3YKA*BCP port block kit separately.
† Not field convertible.

Most popular.



For inventory, lead times, and kit lookup, visit www.pdnplu.com

Regulators

Material specifications

| | |
|-----------------|------------------------|
| Body | Aluminium |
| Bonnet | Glass filled polyamide |
| Regulator cover | ABS |
| Control knob | Glass filled polyamide |
| Valve | Brass / NBR |
| Seals | Nitrile NBR |
| Screws | Steel / zinc plated |

Repair and Service Kits

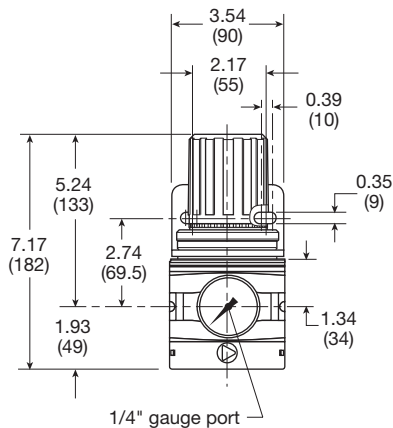
| | |
|--|--------------------|
| Angle bracket + metal lock ring | P3YKA00MS |
| Panel mounting nut | P3YKA00MM |
| Diaphragm kit (relieving type) | P3YKA00RR |
| Diaphragm kit (non-relieving type) | P3YKA00RN |
| 0 to 160 psig (0 to 10 bar), gauge 1/4" port | K4520N14160 |
| 0 to 300 psig (0 to 20 bar), gauge 1/4" port | K4520N14300 |

⚠ WARNING

**Product rupture can cause serious injury.
Do not connect regulator to bottled gas.
Do not exceed Maximum primary pressure rating.**

CAUTION:

REGULATOR PRESSURE ADJUSTMENT – The working range of knob adjustment is designed to permit outlet pressures within their full range. Pressure adjustment beyond this range is also possible because the knob is not a limiting device. This is a common characteristic of most industrial regulators, and limiting devices may be obtained only by special design. For best performance, regulated pressure should always be set by increasing the pressure up to the desired setting.

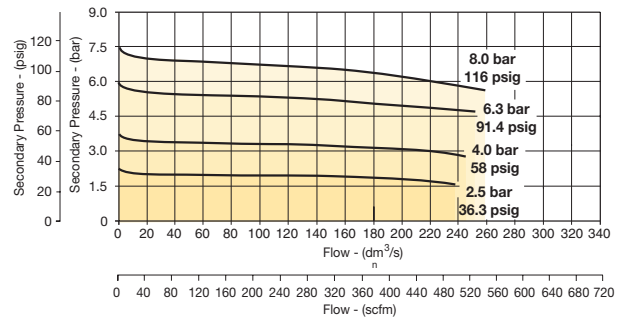


Inches (mm)

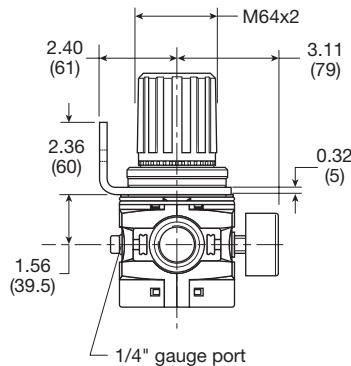
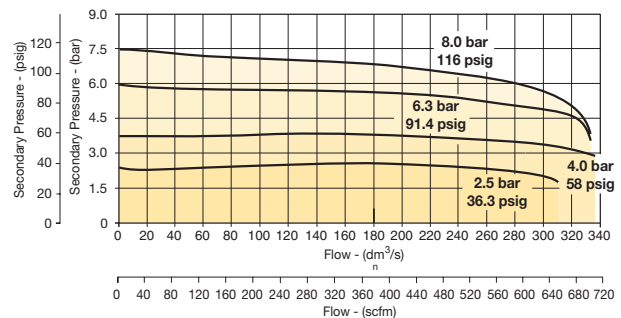
Air Preparation Products Regulator Products

Flow characteristics

(3/4") Regulator



(1") Regulator



General

Dial

Pilot

Proportional

Precision

Water

K

Regulator
Products



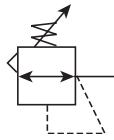
For inventory, lead times, and kit lookup, visit www.pdnplu.com

K31

Parker Hannifin Corporation
Pneumatic Division
Richland, Michigan
www.parker.com/pneumatics

P3NR Regulators – Hi-Flow

- Port blocks (PB) available to provide 1-1/2" port extension to 1" ported bodies
- Self relieving feature plus balanced poppet provides quick response and accurate pressure regulation
- Solid control piston for extended life
- 3/4", 1", 1-1/2" ports (NPT, BSPP)



| Port Size | Description | Part Number |
|-----------|--------------------|-------------------|
| 3/4" | Without Gauge | P3NRA96BNN |
| 3/4" | With 160 Psi Gauge | P3NRA96BNG |
| 1" | Without Gauge | P3NRA98BNN |
| 1" | With 160 Psi Gauge | P3NRA98BNG |
| 1-1/2" # | Without Gauge | P3NRA9PBNN |
| 1-1/2" # | With 160 Psi Gauge | P3NRA9PBNG |

1" port body with 1-1/2" port block.
 NOTE: 2.0 Dia. (51 mm) hole required for panel mounting.

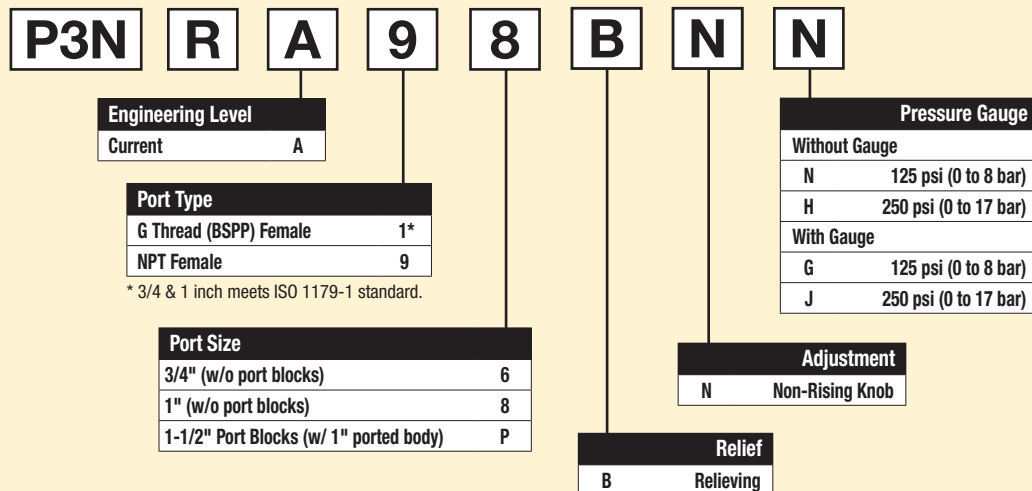
Operating information

| | |
|------------------------|---|
| Supply pressure (max): | 250 psig (17.2 bar) |
| Operating temperature: | 32°F to 175°F (0°C to 80°C) |
| Flow capacity†: | |
| High flow | 3/4" 200 scfm (94.4 dm³/s, ANR) |
| | 1" 300 scfm (141.6 dm³/s, ANR) |
| | 1-1/2" 300 scfm (141.6 dm³/s, ANR) |
| Gauge ports (2): | 1/4 inch (can be used as additional full flow 1/4 inch outlet ports) |
| Weight: | 3/4", 1" 4.2 lb (1.9 kg) |
| | 1-1/2" # 5.3 lb (2.4 kg) |

† scfm = Standard cubic feet per minute at 100 psig inlet, 90 psig no flow secondary setting and 10 psig pressure drop.

1" port body with 1-1/2" port block

Ordering Information:



Note: BSPP ported units supplied using NPT ported bodies and BSPP port block kits.

Most popular.



For inventory, lead times, and kit lookup, visit www.pdnplu.com

K32

Parker Hannifin Corporation
 Pneumatic Division
 Richland, Michigan
www.parker.com/pneumatics

Hi-Flow Regulators

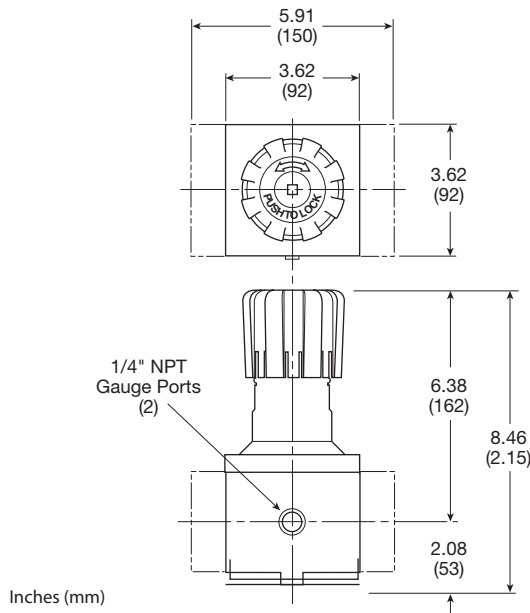
Material Specifications

| | |
|---------------------------|----------|
| Adjusting stem | Steel |
| Body | Aluminum |
| Bonnet | Aluminum |
| Knob | Plastic |
| Piston | Plastic |
| Poppet assembly | Brass |
| Seals | Nitrile |
| Springs, poppet & control | Steel |

Repair and Service Kits

| | |
|--|---------------------|
| Control knob | P3NKA00PN |
| 2" dial face 60 psig (0 to 4.1 bar), gauge | K4520N14060 |
| 2" dial face 160 psig (0 to 11.0 bar), gauge | K4520N14160 |
| 2" dial face 300 psig (0 to 20.7 bar), gauge | K4520N14300 |
| 1-3/4" digital round face 160 psig (0 to 11.0 bar), gauge | K4517N14160D |
| Mounting bracket kit* | P3NKA00MW |
| Relieving | P3NKA00RR |
| Non-relieving | P3NKA00RN |
| 1-60 psig spring | C10A1304 |
| 2-125 psig spring | C10A1308 |
| 5-250 psig spring | C10A1317 |

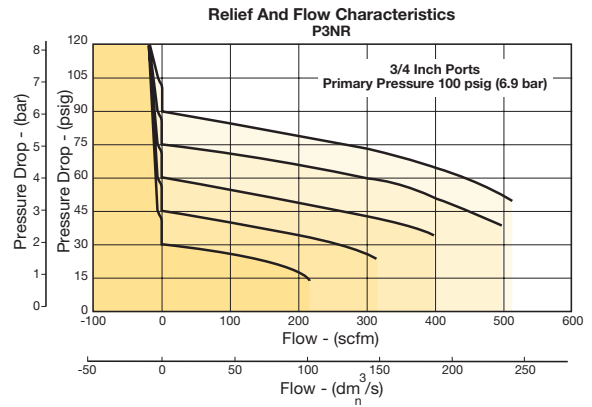
* If 1-1/2 BSPP E02 fittings are required, use P3NKA00BMW.



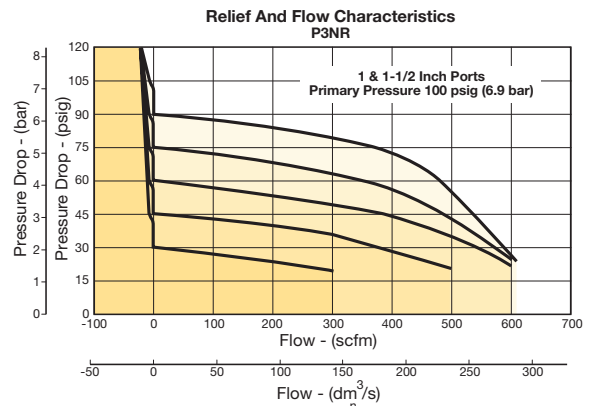
Air Preparation Products Regulator Products

Flow Charts

3/4" Regulator



1" & 1-1/2" Regulator



WARNING
Product rupture can cause serious injury.
Do not connect regulator to bottled gas.
Do not exceed Maximum primary pressure rating.

CAUTION:
REGULATOR PRESSURE ADJUSTMENT – The working range of knob adjustment is designed to permit outlet pressures within their full range. Pressure adjustment beyond this range is also possible because the knob is not a limiting device. This is a common characteristic of most industrial regulators, and limiting devices may be obtained only by special design. For best performance, regulated pressure should always be set by increasing the pressure up to the desired setting.

General

Dial

Pilot

Proportional

Precision

Water

K

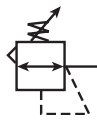
Regulator
Products



For inventory, lead times, and kit lookup, visit www.pdnplu.com

R119 Regulators – Standard

- High flow performance featuring rugged design for the most demanding applications
- Ideal for those installations calling for constant pressure with wide variation in flow
- Diaphragm operated design with balanced poppet design for quick and accurate regulation
- Secondary aspiration plus balanced poppet provides quick response and accurate pressure regulation
- Heavy duty tee handle adjustment
- Reverse flow version available
- Panel mount version available
- 1/4", 3/8", 1/2" ports (NPT, BSPP)



| Port Size | Description (0-125 psig reduced pressure) | Part Number |
|-----------|---|------------------|
| 1/4" | Without Gauge, Relieving, NPT | R119-02C |
| 1/4" | With Gauge, Relieving, NPT | R119-02CG |
| 3/8" | Without Gauge, Relieving, NPT | R119-03C |
| 3/8" | With Gauge, Relieving, NPT | R119-03CG |
| 1/2" | Without Gauge, Relieving, NPT | R119-04C |
| 1/2" | With Gauge, Relieving, NPT | R119-04CG |

Operating information

| | | |
|------------------------------|---------------------------------|---|
| Supply pressure (max): | 300 psig (0 to 20.7 bar) | |
| Reduced pressure range: | 2 to 125 psig (0.15 to 8.5 bar) | |
| Operating temperature: | 40°F to 125°F (4.4°C to 52°C) | |
| Flow capacity [†] : | | |
| High flow | 1/4" | 100 scfm (47.2 dm ³ /s, ANR) |
| | 3/8" | 110 scfm (51.9 dm ³ /s, ANR) |
| | 1/2" | 150 scfm (70.8 dm ³ /s, ANR) |
| Gauge ports (2): | 1/4 inch | |
| Weight: | 1/4" | 1.8 lb (0.82 kg) |
| | 3/8" | 1.8 lb (0.82 kg) |
| | 1/2" | 3.2 lb (1.45 kg) |

[†] scfm = Standard cubic feet per minute at 100 psig inlet, 75 psig no flow secondary setting and 20 psig pressure drop.

Ordering Information:

R119
-
02
C

/**

Port Threads

| | |
|--------|---|
| NPT | - |
| G BSPP | G |

Port Size

| | |
|----------|----|
| 1/4 inch | 02 |
| 3/8 inch | 03 |
| 1/2 inch | 04 |

Reduced Pressure Range

| | |
|------------|---|
| 0-25 psig | A |
| 0-60 psig | B |
| 0-125 psig | C |
| 0-250 psig | D |

Engineering Level

| | |
|-----|----------------------------|
| /** | Will Be Entered at Factory |
|-----|----------------------------|

Options

| | |
|-------------------|------------------------------------|
| Blank | None |
| G | Gauge |
| K [†] | Non-Relieving |
| X64 ^{**} | Fluorocarbon O-Rings And Diaphragm |
| X80 [*] | Reverse Flow |
| X7 | Brass Bottom Plug |

* Reverse flow for use downstream of control valves.
^{**} Brass bottom plug standard with X64 option.
[†] Not available with 250 psig spring.

 Most popular.



For inventory, lead times, and kit lookup, visit www.pdnplu.com

Material Specifications

| | |
|--------------------------|--------|
| Adjusting screw, springs | Steel |
| Body, spring cage | Zinc |
| Bottom plug | Nylon |
| Innervalve | Brass |
| Seals | Buna N |

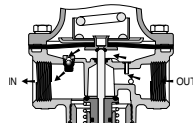
Repair and Service Kits

| | |
|---|---------------------|
| 2" dial face 60 psig (0 to 4.1 bar), gauge | K4520N14060 |
| 2" dial face 160 psig (0 to 11.0 bar), gauge | K4520N14160 |
| 2" dial face 300 psig (0 to 20.7 bar), gauge | K4520N14300 |
| 1-3/4" digital round face 160 psig (0 to 11.0 bar), gauge | K4517N14160D |
| Mounting bracket, 1/4", 3/8" | SA15Y57 |
| Mounting bracket, 1/2" | 18A57 |
| Panel mount conversion kit, 1/4", 3/8" | 4202 |
| Panel mount conversion kit, 1/2" | 4204 |
| Non-relieving diaphragm, valve assembly (1/4", 3/8"; all psig) | RK118Y |
| Relieving diaphragm, valve assembly (1/4", 3/8"; all psig) | RK119Y |
| Non-Relieving diaphragm, valve assembly (1/2"; 25, 60, 125 psig) | RK118A |
| Relieving diaphragm, valve assembly (1/2"; 25, 60, 125 psig) | RK119A |
| Relieving diaphragm, valve assembly (1/2"; 250 psig) | RK119A250 |
| Spring cage & T-handle kit (1/4 & 3/8) | RKC119Y |
| Spring cage & insert only kit (1/2) | SAC18A3/BK |

For fluorocarbon repair kits, add X64 to kit number suffix.

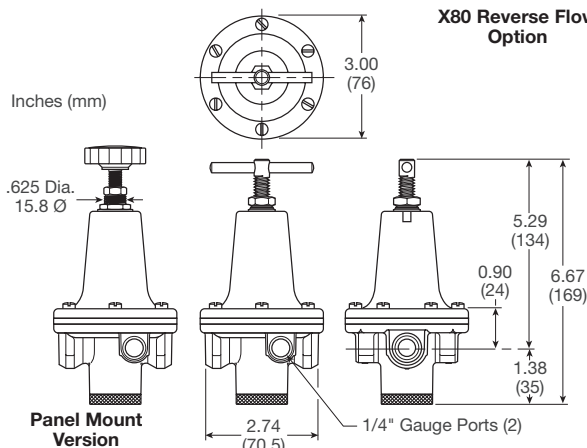
CAUTION:

REGULATOR PRESSURE ADJUSTMENT – The working range of knob adjustment is designed to permit outlet pressures within their full range. Pressure adjustment beyond this range is also possible because the knob is not a limiting device. This is a common characteristic of most industrial regulators, and limiting devices may be obtained only by special design. For best performance, regulated pressure should always be set by increasing the pressure up to the desired setting.



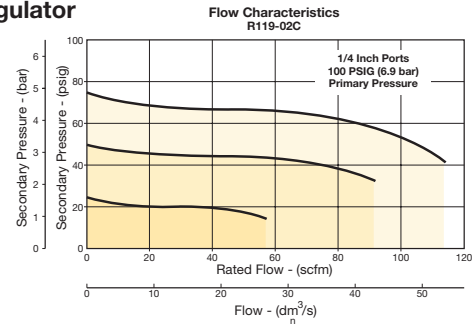
X80 Reverse Flow Option

**R119-02C,
R119-03C**

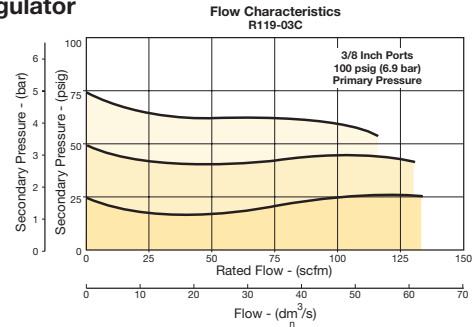


Flow Charts

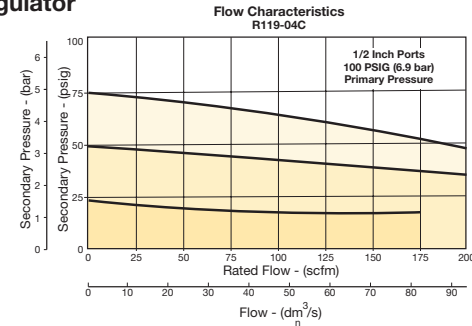
1/4" Regulator



3/8" Regulator



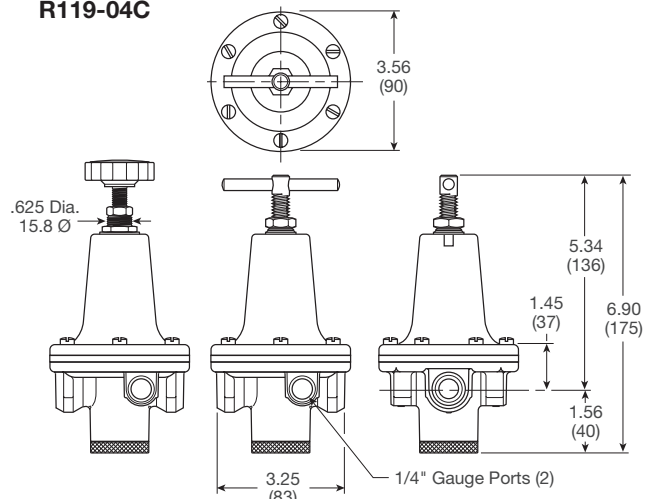
1/2" Regulator



⚠ WARNING

**Product rupture can cause serious injury.
Do not connect regulator to bottled gas.
Do not exceed Maximum primary pressure rating.**

R119-04C



For inventory, lead times, and kit lookup, visit www.pdnplu.com

General

Dial

Pilot

Proportional

Precision

Water

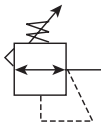
K

Regulator Products

Hi-Flow Regulators

R119 Regulators – Hi-Flow

- High flow performance featuring rugged design for the most demanding applications
- Ideal for those installations calling for constant pressure with wide variation in flow
- Diaphragm operated design with balanced poppet design for quick and accurate regulation
- Secondary aspiration plus balanced poppet provides quick response and accurate pressure regulation
- Heavy duty tee handle adjustment
- Reverse flow version available
- 3/4", 1", 1-1/2" ports (NPT, BSPP)



| Port Size | Description (0-125 psig reduced pressure) | Part Number |
|-----------|---|------------------|
| 3/4" | Without gauge, relieving, NPT | R119-06C |
| 3/4" | With gauge, relieving, NPT | R119-06CG |
| 1" | Without gauge, relieving, NPT | R119-08C |
| 1" | With gauge, relieving, NPT | R119-08CG |
| 1-1/2" | Without gauge, relieving, NPT | R119-12C |
| 1-1/2" | With gauge, relieving, NPT | R119-12CG |

Operating information

| | | |
|-------------------------|---------------------------------|-----------------------------|
| Supply pressure (max): | 300 psig (0 to 20.7 bar) | |
| Reduced pressure range: | 2 to 125 psig (0.15 to 8.5 bar) | |
| Operating temperature: | 40°F to 125°F (4.4°C to 52°C) | |
| Flow capacity†: | | |
| High flow | 3/4" | 300 scfm (141.6 dm³/s, ANR) |
| | 1" | 400 scfm (188.8 dm³/s, ANR) |
| | 1-1/2" | 500 scfm (236 dm³/s, ANR) |
| Gauge ports (2): | 1/4 inch | |
| Weight: | 3/4" | 6.2 lb (2.81 kg) |
| | 1" | 6.2 lb (2.81 kg) |
| | 1-1/2" | 7.2 lb (3.27 kg) |

† scfm = Standard cubic feet per minute at 100 psig inlet, 75 psig no flow secondary setting and 20 psig pressure drop.

Ordering Information:

R119

| Port Threads | |
|--------------|---|
| NPT | - |
| G BSPP | G |

-

| Port Size | |
|------------|----|
| 3/4 inch | 06 |
| 1 inch | 08 |
| 1-1/2 inch | 12 |

06

| Reduced Pressure Range | |
|------------------------|---|
| 0-125 psig | C |
| 0-250 psig | D |

C

| Options | |
|---------|------------------------------------|
| Blank | None |
| G | Gauge |
| K | Non-Relieving |
| X64** | Fluorocarbon O-Rings and Diaphragm |
| X80* | Reverse Flow |

/**

| Engineering Level | |
|-------------------|----------------------------|
| /** | Will Be Entered at Factory |

* Reverse flow for use downstream of control valves.
** Brass bottom plug standard with X64 option.

Most popular.



For inventory, lead times, and kit lookup, visit www.pdnplu.com

Hi-Flow Regulators

Material Specifications

| | |
|--------------------------|--------|
| Adjusting screw, springs | Steel |
| Body, spring cage | Zinc |
| Bottom plug | Nylon |
| Innervalve | Brass |
| Seals | Buna N |

Repair and Service Kits

| | |
|--|---------------------|
| 2" dial face 60 psig (0 to 4.1 bar), gauge | K4520N14060 |
| 2" dial face 160 psig (0 to 11.0 bar), gauge | K4520N14160 |
| 2" dial face 300 psig (0 to 20.7 bar), gauge | K4520N14300 |
| 1-3/4" digital round face 160 psig (0 to 11.0 bar), gauge | K4517N14160D |
| Mounting bracket kit | 18B57 |
| Non-relieving diaphragm, valve assembly (3/4", 1") | RK118B |
| Non-relieving diaphragm, valve assembly (1-1/2") | RK118D |
| Relieving diaphragm, valve assembly (3/4", 1") | RK119B |
| Relieving diaphragm, valve assembly (1-1/2") | RK119D |

For Fluorocarbon Repair Kits, add X64 to kit number suffix.

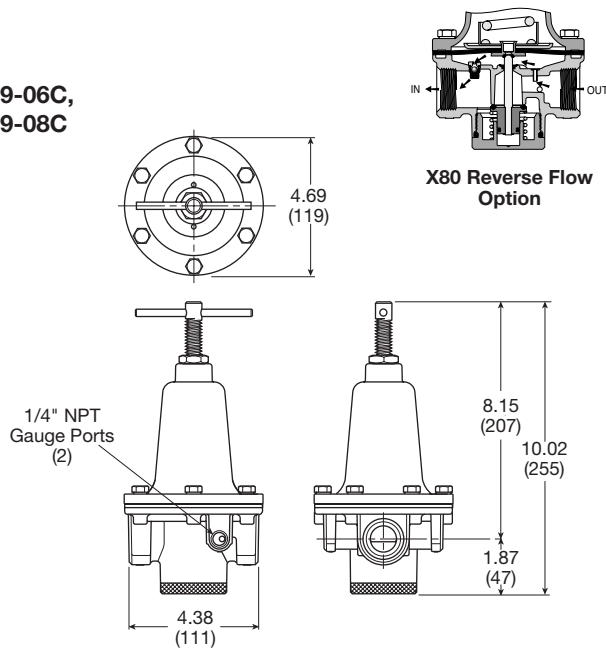
WARNING

**Product rupture can cause serious injury.
Do not connect regulator to bottled gas.
Do not exceed Maximum primary pressure rating.**

CAUTION:

REGULATOR PRESSURE ADJUSTMENT – The working range of knob adjustment is designed to permit outlet pressures within their full range. Pressure adjustment beyond this range is also possible because the knob is not a limiting device. This is a common characteristic of most industrial regulators, and limiting devices may be obtained only by special design. For best performance, regulated pressure should always be set by increasing the pressure up to the desired setting.

R119-06C, R119-08C

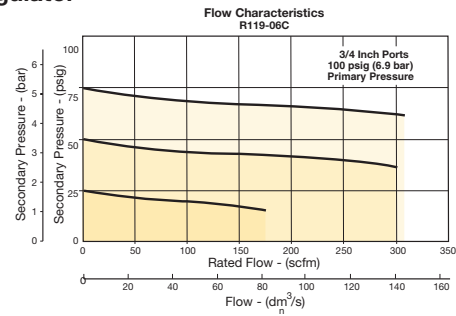


Inches (mm)

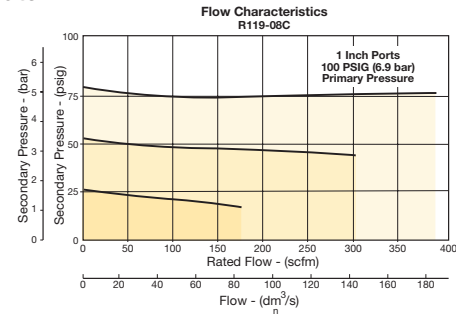
Air Preparation Products Regulator Products

Flow Charts

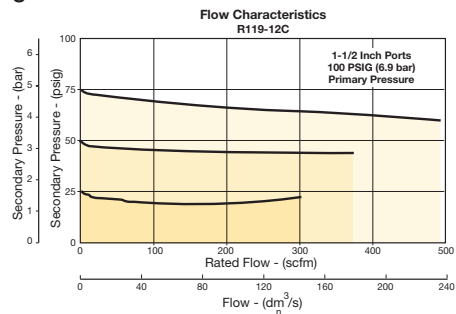
3/4" Regulator



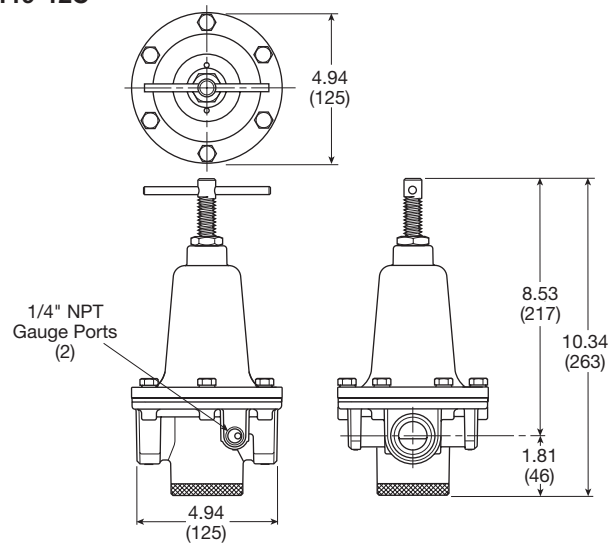
1" Regulator



1-1/2" Regulator



R119-12C



General

Dial

Pilot

Proportional

Precision

Water

K

Regulator
Products



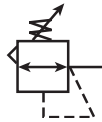
For inventory, lead times, and kit lookup, visit www.pdnplu.com

Semi-Precision Regulators

General
Dial
Pilot
Proportional
Precision
Water
K
Regulator Products

R216 Semi-Precision Regulators

- High flow performance featuring rugged design for the most demanding applications
- Ideal for those installations calling for constant pressure with wide variation in flow
- Diaphragm operated with large surface area and aspirator for quick and precise regulation
- Heavy duty tee handle adjustment
- Panel mount version available
- 1/4", 3/8" ports (NPT BSPP)



| Port Size | Description (Relieving Type) | Part Number |
|-----------|-------------------------------------|------------------|
| 1/4" | Tee Handle, Without Gauge, NPT | R216-02F |
| 1/4" | Hand Wheel Knob, Without Gauge, NPT | R216-02FP |
| 3/8" | Tee Handle, Without Gauge, NPT | R216-03F |
| 3/8" | Hand Wheel Knob, Without Gauge, NPT | R216-03FP |

Operating information

| | |
|-------------------------|----------------------------------|
| Supply pressure: | 300 psig (20.7 bar) |
| Reduced pressure range: | 0.5 to 20 psig (0.03 to 1.4 bar) |
| Operating temperature: | 40°F to 125°F (4.4°C to 52°C) |
| Flow capacity†: | 40 scfm (19.3 dm³/s, ANR) |
| Gauge ports (1): | 1/8 inch |
| Weight: | 2.2 lb (100 kg) |

† scfm = Standard cubic feet per minute at 100 psig inlet, 75 psig no flow secondary setting and 20 psig pressure drop.

Ordering Information:

R216 - 02 F [] /*

| Port Threads | Pressure Range | Reduced Pressure Range | Engineering Level | Options |
|--------------|----------------|--------------------------|-----------------------------|------------------------|
| NPT - | 1/4 inch 02 | 0 to 8 psig (0.6 bar) E | Will Be Entered at Factory. | K Non-Relieving |
| BSPP G | 3/8 inch 03 | 0 to 20 psig (1.4 bar) F | | P Panel Mount with Nut |
| | | 0 to 50 psig (3.4 bar) H | | |

Most popular.



For inventory, lead times, and kit lookup, visit www.pdnplu.com

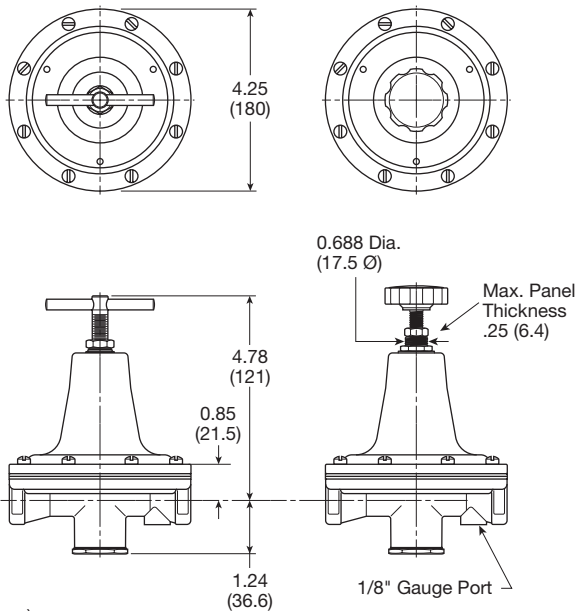
Semi-Precision Regulators

Material Specifications

| | |
|-------------------|--------|
| Body, spring cage | Zinc |
| Bottom plug | Brass |
| Seals | Buna N |

Repair and Service Kits

| | |
|---|----------------|
| Round plastic knob | 118Y51 |
| Panel mount conversion kit (Spring cage, knob, hardware) | 4206 |
| Non-relieving diaphragm, valve assembly (1/4", 3/8") | RK216KY |
| Relieving diaphragm, valve assembly (1/4", 3/8") | RK216Y |

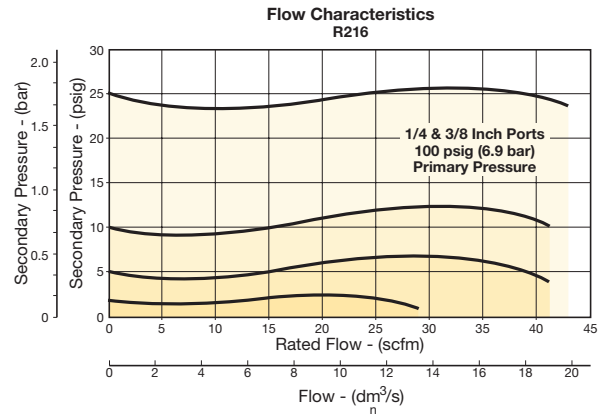


Inches (mm)

Air Preparation Products Regulator Products

Flow Charts

R216 1/4" & 3/8" Regulator



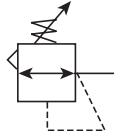
⚠ WARNING

**Product rupture can cause serious injury.
Do not connect regulator to bottled gas.
Do not exceed Maximum primary pressure rating.**

CAUTION:
REGULATOR PRESSURE ADJUSTMENT – The working range of knob adjustment is designed to permit outlet pressures within their full range. Pressure adjustment beyond this range is also possible because the knob is not a limiting device. This is a common characteristic of most industrial regulators, and limiting devices may be obtained only by special design. For best performance, regulated pressure should always be set by increasing the pressure up to the desired setting.

09R Regulators – Hi-Flow

- Piston design for reduced downtime
- High flow
- Balanced poppet for quick and accurate regulation.
- Two full flow 1/4" gauge ports which can be used as additional outlets
- Self relieving piston standard
- 2" ports (NPT)



| Port Size | Description | Part Number |
|-----------|--------------------------|-----------------|
| 2" | Without gauge, relieving | 09R813BA |

Operating information

| | |
|---------------------------|---|
| Supply pressure (max): | 300 psig (0 to 20.7 bar) |
| Secondary pressure range: | 10 to 125 psig (0.7 to 8.6 bar) 10 to 180 psig (0.7 to 12.4 bar) |
| Operating temperature: | 32°F to 150°F (0°C to 65.6°C) |
| Flow capacity†: | |
| High flow | 1000 scfm (472 dm³/s, ANR) |
| Gauge ports (2): | 1/4 inch (can be used as additional full flow 1/4 inch outlet ports) |
| Weight: | 10.82 lb (53 kg) |

† scfm = Standard cubic feet per minute at 100 psig inlet, 90 psig no flow secondary setting and 10 psig pressure drop.

Ordering Information:

| | | | | |
|---------------------|----------|-----------------------|----------|--------------------------|
| 09R | 8 | 13 | B | A |
| Port Threads | 8 | | | Engineering Level |
| 2 inch | | | | A Current |
| | | Pressure Range | | Relief |
| | | 125 psig 13 | | B Relieving |
| | | 180 psig 15 | | M Non-Relieving |

Most popular.



For inventory, lead times, and kit lookup, visit www.pdnplu.com

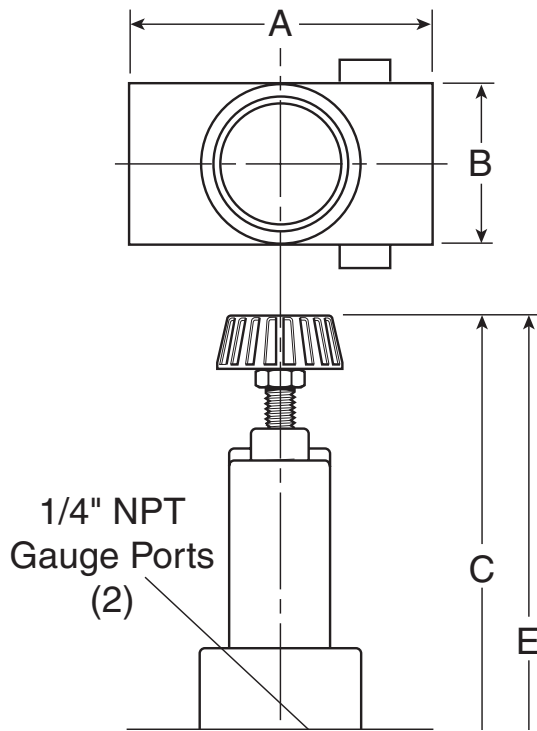
Hi-Flow Regulators

Material Specifications

| | |
|---|------------|
| Adjusting stem & springs | Steel |
| Body | Zinc Alloy |
| Bonnet, piston stem, valve poppet & cap | Aluminum |
| Piston, cap | Plastic |
| Seals | Nitrile |

Repair and Service Kits

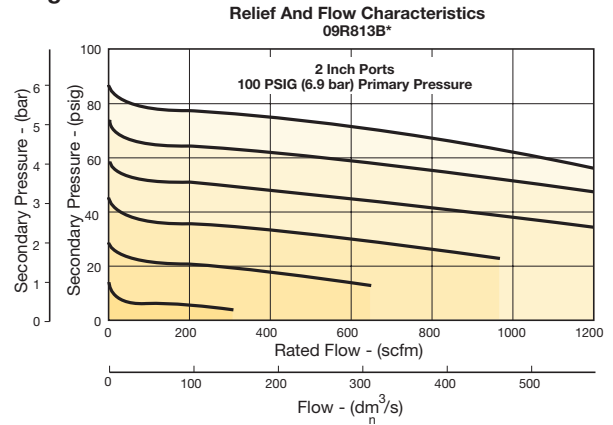
| | |
|--|---------------------|
| Body service kit | PS603P |
| 2" dial face 160 psig (0 to 11.0 bar), gauge | K4520N14160 |
| 2" dial face 300 psig (0 to 20.7 bar), gauge | K4520N14300 |
| 1-3/4" digital round face 160 psig (0 to 11.0 bar), gauge | K4517N14160D |
| Mounting bracket kit | PS605P |
| Non-relieving | PS604P |
| Relieving | PS626P |
| 0 to 125 psig spring | PS602P |
| 0 to 180 psig spring | PS627 |



Air Preparation Products Regulator Products

Flow Charts

2" Regulator



⚠ WARNING

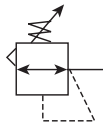
**Product rupture can cause serious injury.
Do not connect regulator to bottled gas.
Do not exceed Maximum primary pressure rating.**

CAUTION:

REGULATOR PRESSURE ADJUSTMENT – The working range of knob adjustment is designed to permit outlet pressures within their full range. Pressure adjustment beyond this range is also possible because the knob is not a limiting device. This is a common characteristic of most industrial regulators, and limiting devices may be obtained only by special design. For best performance, regulated pressure should always be set by increasing the pressure up to the desired setting.

51R Regulators – Relieving

- Pressure reference indicating dial face
- Non-rising, pressure-adjustment dial
- Self-relieving
- Full pressure adjustment in less than one full turn
- Recommended for pilot-air applications
- Constant bleed, piston operated
- 1/4" port (NPT, BSPP)



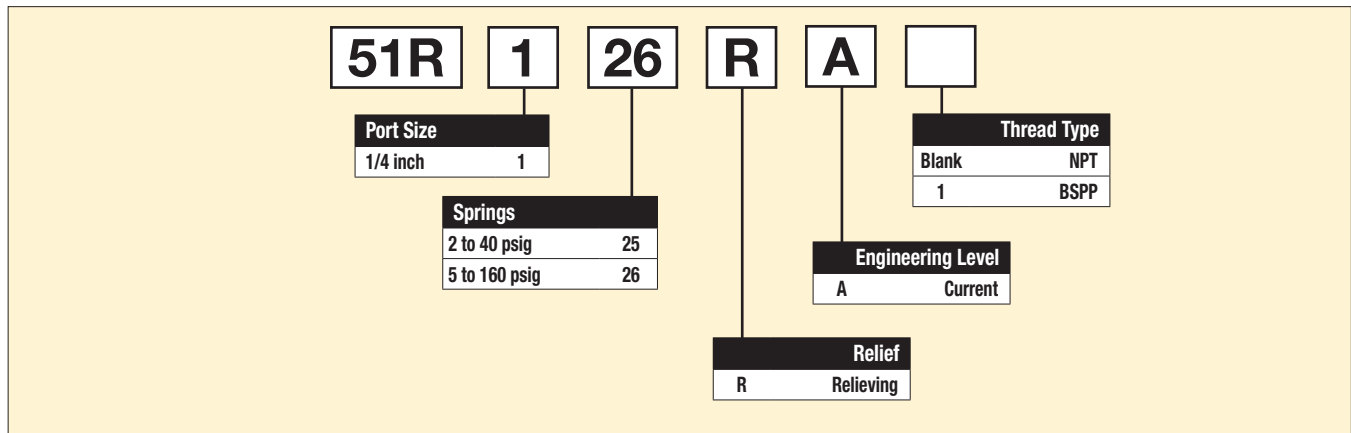
| Port Size | Description | Part Number |
|-----------|--|-----------------|
| 1/4" | Standard Pressure 5 to 160 psig (0.34 to 11 bar) | 51R126RA |
| 1/4" | Low Pressure 2 to 40 psig (0.14 to 3 bar) | 51R125RA |

Operating information

| | |
|------------------------------|--|
| Adjusting pressure range: | 2 to 40 psig (0 to 2.8 bar) 5 to 160 psig (0 to 11.0 bar) |
| Bleed Rate: | 0.05 scfm (0.02 dm ³ /s, ANR) |
| Operating temperature (max): | 32°F to 150°F (0°C to 65.6°C) |
| Supply pressure (max): | 300 psig (20.7) |
| Flow capacity [†] : | 0.7 scfm (0.3 dm ³ /s, ANR) |
| Weight: | 1.3 lb (0.5 kg) |

[†] scfm = Inlet pressure 100 psig (6.9 bar) inlet. Secondary pressure 90 psig (6.2 bar).

Ordering Information:



Most popular.



For inventory, lead times, and kit lookup, visit www.pdnplu.com

Semi-Precision Regulators

Material Specifications

| | |
|----------------|--------------------------|
| Body | Zinc |
| Bonnet | Zinc / brass |
| Piston | Acetal |
| Seals | Nitrile |
| Springs | Steel |
| Valve assembly | Brass / nitrile / acetal |

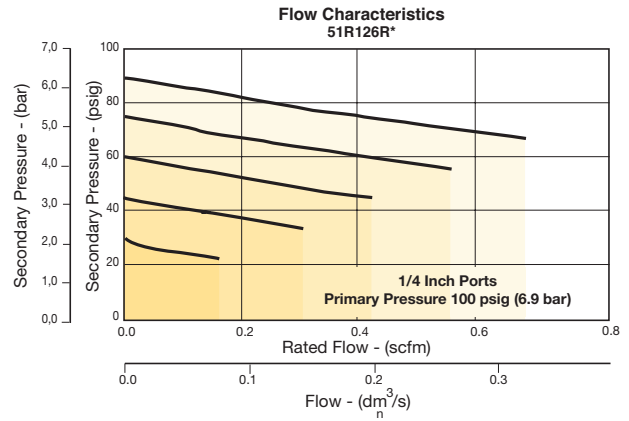
Repair and Service Kits

| | |
|---|-------------------|
| Adjustment dial knob | RRP-16-024 |
| O-ring, repair kit | GRP-95-260 |
| Piston and bonnet repair kit | RRP-95-765 |
| Spring, regulation, Belleville washer, 2 to 40 psig (2.8 bar) | RRP-95-906 |
| Spring, regulation, Belleville washer, 5 to 160 psig (11.0 bar) | RRP-95-905 |
| Tamper resistant kit | RRP-95-585 |
| Valve, pilot with o-ring and valve spring | RRP-96-934 |

Air Preparation Products Regulator Products

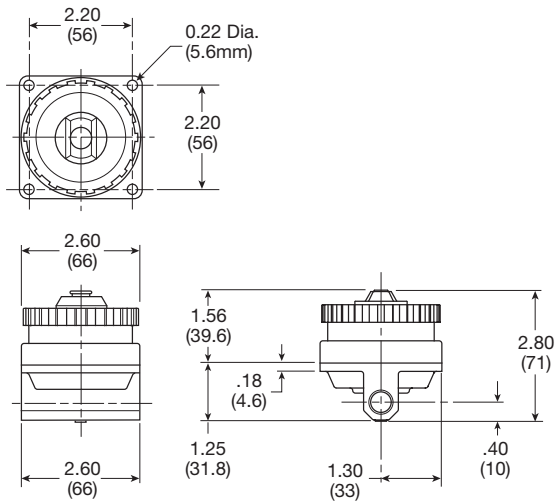
Flow Charts

51R 1/4" Regulator



WARNING

Product rupture can cause serious injury.
Do not connect regulator to bottled gas.
Do not exceed Maximum primary pressure rating.



Inches (mm)

General

Dial

Pilot

Proportional

Precision

Water

K

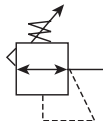
Regulator Products



For inventory, lead times, and kit lookup, visit www.pdnplu.com

52R Regulators – Relieving

- Balanced poppet design
- Non-rising, pressure-adjusting dial
- High-relief flow (3/16" relief orifice)
- Two 1/4" gauge ports
- Constant bleed, piston operated
- 1/4", 3/8", 1/2", 3/4" ports (NPT, BSPP)



| Port Size | Description | Part Number |
|-----------|--|-----------------|
| 1/4" | Standard Pressure 5 to 160 psig (0.34 to 11 bar) | 52R126RA |
| 1/4" | Low Pressure 2 to 40 psig (0.14 to 3 bar) | 52R125RA |
| 3/8" | Standard Pressure 5 to 160 psig (0.34 to 11 bar) | 52R226RA |
| 3/8" | Low Pressure 2 to 40 psig (0.14 to 3 bar) | 52R225RA |
| 1/2" | Standard Pressure 5 to 160 psig (0.34 to 11 bar) | 52R326RA |
| 1/2" | Low Pressure 2 to 40 psig (0.14 to 3 bar) | 52R325RA |
| 3/4" | Standard Pressure 5 to 160 psig (0.34 to 11 bar) | 52R426RA |
| 3/4" | Low Pressure 2 to 40 psig (0.14 to 3 bar) | 52R425RA |

Operating information

| | |
|------------------------------|---|
| Adjusting pressure range: | 2 to 40 psig (0 to 2.8 bar) 5 to 160 psig (0 to 11.0 bar) |
| Bleed Rate: | 0.05 scfm (0.02 dm ³ /s, ANR) |
| Operating temperature (max): | 32°F to 150°F (0°C to 65.6°C) |
| Supply pressure (max): | 300 psig (20.7) |
| Flow capacity [†] : | 1/4" 117 scfm (55.2 dm ³ /s, ANR) 3/8" 180 scfm (85 dm ³ /s, ANR) 1/2" 195 scfm (92 dm ³ /s, ANR) 3/4" 220 scfm (103.8 dm ³ /s, ANR) |
| Gauge ports: | Two ports 1/4" (can be used as additional high flow 1/4 inch outlet ports) |
| Weight: | 2.3 lb (1.04 kg) |

[†] scfm = Inlet pressure 100 psig (6.9 bar) inlet. Secondary pressure 90 psig (6.2 bar).

K

Ordering Information:

| | | | | | |
|------------------|----------|----------------|----------|--------------------------|--------------------|
| 52R | 1 | 26 | R | A | |
| Port Size | | | | | Thread Type |
| 1/4 inch | 1 | | | | Blank NPT |
| 3/8 inch | 2 | | | | 1 BSPP |
| 1/2 inch | 3 | | | | |
| 3/4 inch | 4 | | | | |
| | | Springs | | Engineering Level | |
| | | 2 to 40 psig | 25 | A | Current |
| | | 5 to 160 psig | 26 | | |
| | | | | Relief | |
| | | | | R | Relieving |

Most popular.



For inventory, lead times, and kit lookup, visit www.pdnplu.com

Material specifications

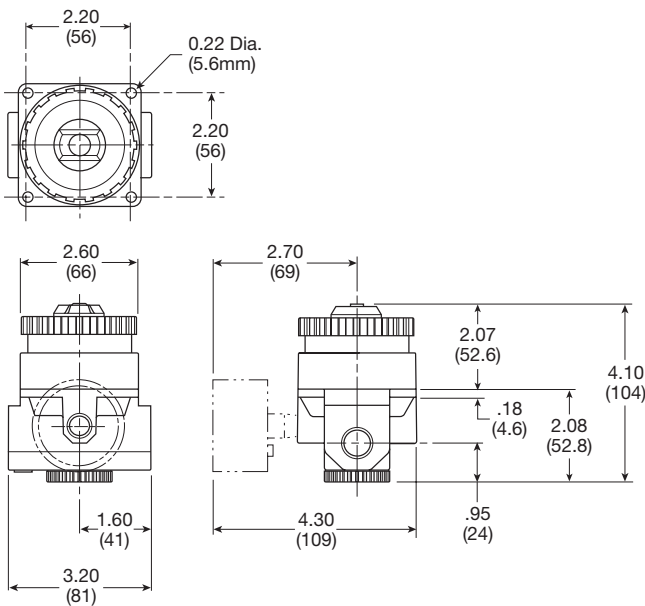
| | |
|----------------|--------------------------|
| Body | Zinc |
| Bonnet | Zinc / brass |
| Piston | Acetal |
| Seals | Nitrile |
| Springs | Steel |
| Valve assembly | Brass / nitrile / acetal |

Repair and Service Kits

| | |
|---|-------------------|
| Adjustment dial knob | RRP-16-024 |
| O-ring, repair kit | GRP-95-260 |
| Piston bottom and o-ring seal | RRP-95-192 |
| Pistons and bonnet repair kit | RRP-95-766 |
| Spring, regulation, belleville washer – 2 to 40 psig range | RRP-95-906 |
| Spring, regulation, belleville washer – 5 to 160 psig range | RRP-95-905 |
| Tamper resistant kit | RRP-95-585 |
| Valve, main with U-cup seal & bottom plug | RRP-95-914 |
| Valve, main with U-cup seal | RRP-95-151 |
| Valve, pilot with o-ring and valve spring | RRP-96-934 |

⚠ WARNING

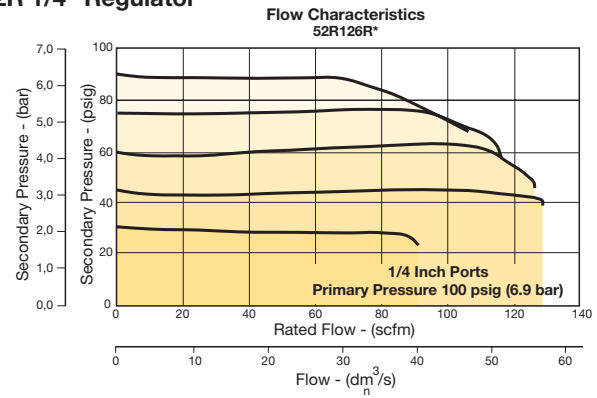
**Product rupture can cause serious injury.
Do not connect regulator to bottled gas.
Do not exceed Maximum primary pressure rating.**



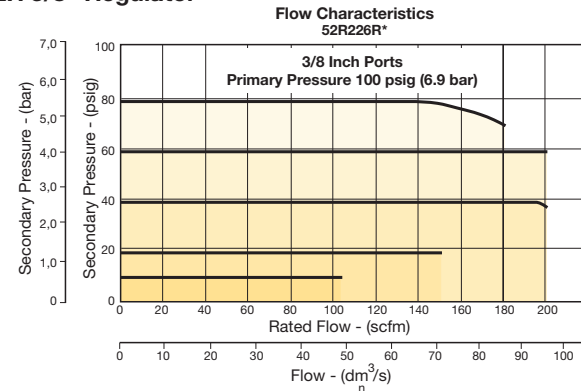
Inches (mm)

Flow Charts

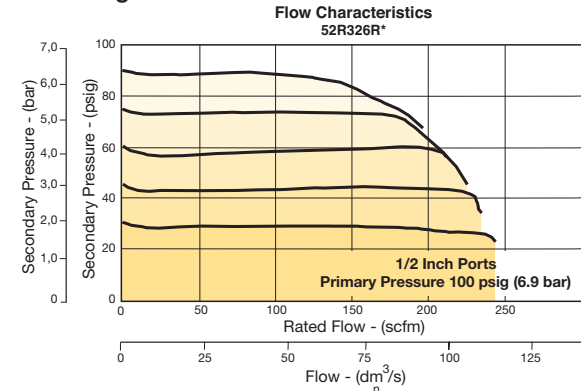
52R 1/4" Regulator



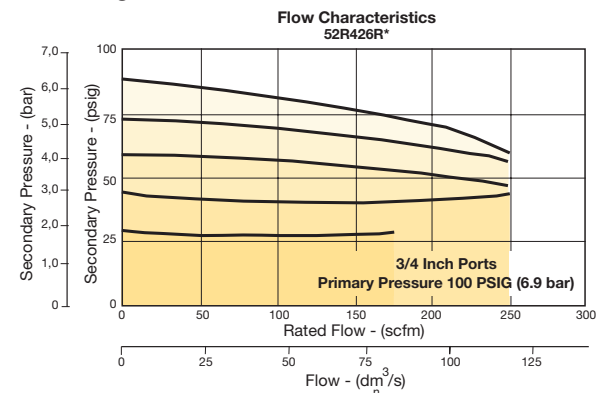
52R 3/8" Regulator



52R 1/2" Regulator



52R 3/4" Regulator



General

Dial

Pilot

Proportional

Precision

Water

K

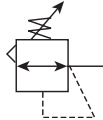
Regulator Products



For inventory, lead times, and kit lookup, visit www.pdnplu.com

53R Regulators – Relieving

- Balanced poppet design
- Non-rising, pressure-adjusting dial
- High-relief flow (3/16" relief orifice)
- Two 1/4" gauge ports
- Constant bleed, piston operated
- 3/4", 1", 1-1/4" ports (NPT, BSPP)



| Port Size | Description | Part Number |
|-----------|--|-----------------|
| 3/4" | Standard pressure 5 to 160 psig (0.34 to 11 bar) | 53R426RA |
| 3/4" | Low Pressure 2 to 40 psig (0.14 to 3 bar) | 53R425RA |
| 1" | Standard pressure 5 to 160 psig (0.34 to 11 bar) | 53R526RA |
| 1" | Low Pressure 2 to 40 psig (0.14 to 3 bar) | 53R525RA |
| 1-1/4" | Standard Pressure 5 to 160 psig (0.34 to 11 bar) | 53R626RA |
| 1-1/4" | Low pressure 2 to 40 psig (0.14 to 3 bar) | 53R625RA |

Operating information

| | |
|------------------------------|---|
| Adjusting pressure range: | 2 to 40 psig (0 to 2.8 bar) 5 to 160 psig (0 to 11.0 bar) |
| Bleed Rate: | 0.05 scfm (0.02 dm ³ /s, ANR) |
| Operating temperature (max): | 32°F to 150°F (0°C to 65.6°C) |
| Supply pressure (max): | 300 psig (20.7) |
| Flow capacity [†] : | 3/4" 400 scfm (188.8 dm ³ /s, ANR) 1" 650 scfm (306.8 dm ³ /s, ANR) 1-1/4" 700 scfm (330.4 dm ³ /s, ANR) |
| Gauge ports: | Two ports 1/4" (can be used as additional high flow 1/4 inch outlet ports) |
| Weight: | 2.3 lb (1.04 kg) |

[†] scfm = Inlet pressure 100 psig (6.9 bar) inlet. Secondary pressure 80 psig (5.5 bar).

K

Regulator
Products

Ordering Information:

| | | | | | |
|------------------|------------------|--------------------------|---------------|--------------------|----------|
| 53R | 4 | 26 | R | A | 1 |
| Port Size | Springs | Engineering Level | Relief | Thread Type | |
| 3/4 inch 4 | 2 to 40 psig 25 | A Current | R Relieving | Blank NPT | |
| 1 inch 5 | 5 to 160 psig 26 | | | 1 BSPP | |
| 1-1/4 inch 6 | | | | | |

Most popular.



For inventory, lead times, and kit lookup, visit www.pdnplu.com

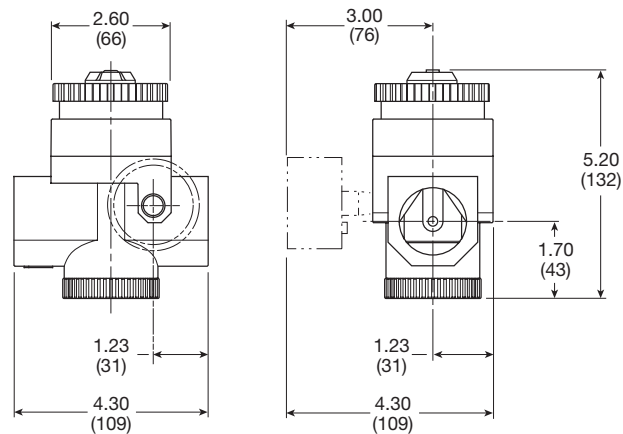
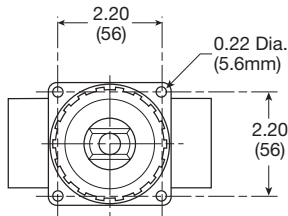
Semi-Precision Regulators

Material Specifications

| | |
|----------------|--------------------------|
| Body | Zinc |
| Bonnet | Zinc / brass |
| Piston | Acetal |
| Seals | Nitrile |
| Springs | Steel |
| Valve assembly | Brass / nitrile / acetal |

Repair and Service Kits

| | |
|---|-------------------|
| Adjustment dial knob | RRP-16-024 |
| O-ring, repair kit | GRP-95-261 |
| Piston, bottom and o-ring seal | RRP-95-192 |
| Pistons and bonnet repair kit | RRP-95-766 |
| Spring, regulation, Belleville washer – 2 to 40 psig range | RRP-95-906 |
| Spring, regulation, Belleville washer – 5 to 160 psig range | RRP-95-905 |
| Tamper resistant kit | RRP-95-585 |
| Valve, main with o-ring seal | RRP-95-152 |
| Valve, pilot with o-ring and valve spring | RRP-96-935 |

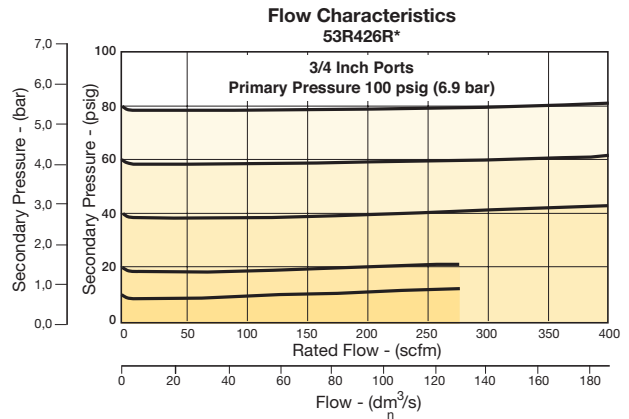


Inches (mm)

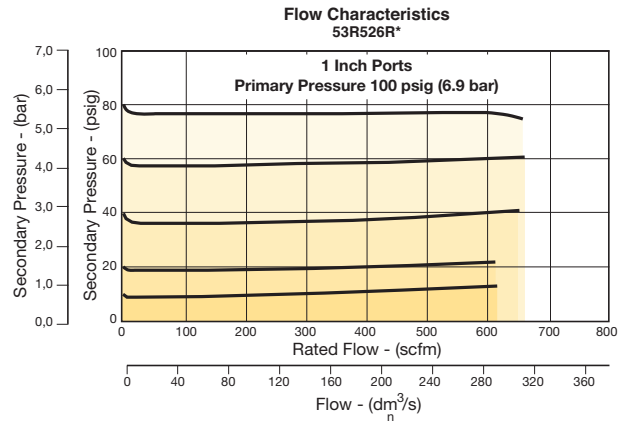
Air Preparation Products Regulator Products

Flow Charts

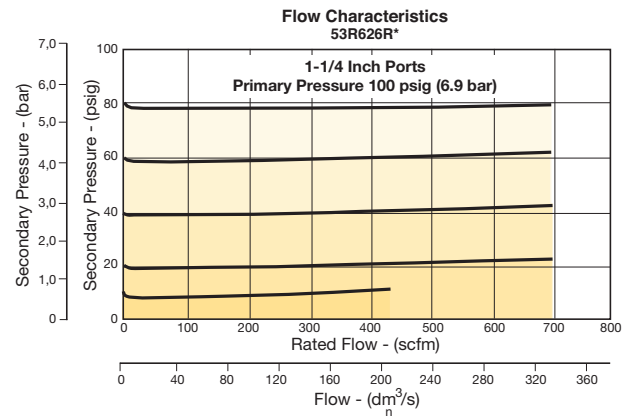
53R 3/4" Regulator



53R 1" Regulator



53R 31-14" Regulator



⚠ WARNING

**Product rupture can cause serious injury.
Do not connect regulator to bottled gas.
Do not exceed Maximum primary pressure rating.**

General

Dial

Pilot

Proportional

Precision

Water

K

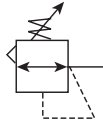
Regulator Products



For inventory, lead times, and kit lookup, visit www.pdnplu.com

54R Regulators – Relieving

- Balanced poppet design
- Non-rising, pressure-adjusting dial
- High-relief flow (3/16" relief orifice)
- Two 1/4" gauge ports
- Constant bleed, piston operated
- 1-1/2", 2" ports (NPT, BSPP)



| Port Size | Description | Part Number |
|-----------|--|-----------------|
| 1-1/2" | Standard Pressure 5 to 160 psig (0.34 to 11 bar) | 54R726RA |
| 1-1/2" | Low Pressure 2 to 40 psig (0.14 to 3 bar) | 54R725RA |
| 2" | Standard Pressure 5 to 160 psig (0.34 to 11 bar) | 54R826RA |
| 2" | Low Pressure 2 to 40 psig (0.14 to 3 bar) | 54R825RA |

Operating information

| | |
|--|--|
| Adjusting pressure range: | 2 to 40 psig (0 to 2.8 bar) 5 to 160 psig (0 to 11.0 bar) |
| Bleed Rate: | 0.05 scfm (0.02 dm ³ /s, ANR) |
| Operating temperature (max): | 32°F to 150°F (0°C to 65.6°C) |
| Supply pressure (max): | 300 psig (20.7) |
| Flow capacity [†] : | 1-1/2" 1,600 scfm (755 dm ³ /s, ANR) 2" 1,600 scfm (755 dm ³ /s, ANR) |
| Gauge ports: | Two ports 1/4" (can be used as additional high flow 1/4 inch outlet ports) |
| Weight: | 9 lb (4.1 kg) |
| [†] scfm = Inlet pressure 100 psig (6.9 bar) inlet. Secondary pressure 80 psig (5.5 bar). | |

Ordering Information:

| | | | | | |
|------------------|----------|----------------|----------|--------------------------|--------------------|
| 54R | 7 | 26 | R | A | Blank |
| Port Size | | | | | Thread Type |
| 1-1/2 inch | 7 | | | | Blank NPT |
| 2 inch | 8 | | | | 1 BSPP |
| | | Springs | | Engineering Level | |
| | | 2 to 40 psig | 25 | A | Current |
| | | 5 to 160 psig | 26 | | |
| | | | | Relief | |
| | | | | R | Relieving |

Most popular.



For inventory, lead times, and kit lookup, visit www.pdnplu.com

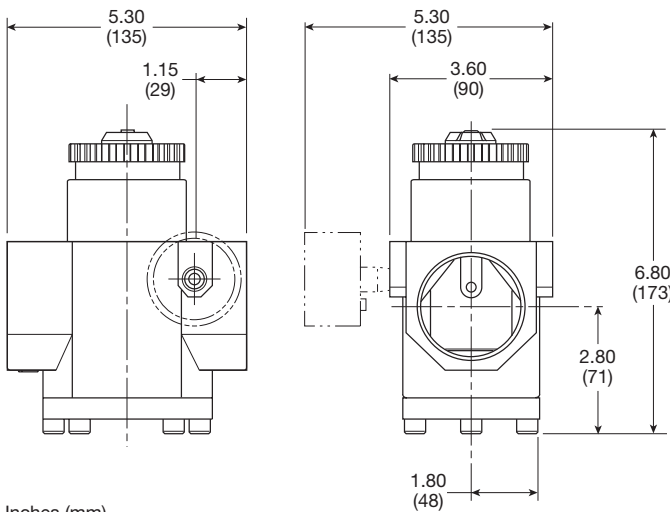
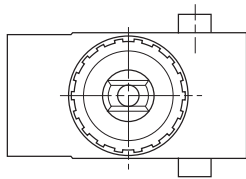
Semi-Precision Regulators

Material Specifications

| | |
|----------------|--------------------------|
| Body | Zinc |
| Bonnet | Zinc / brass |
| Piston | Zinc |
| Seals | Nitrile |
| Springs | Steel |
| Valve assembly | Brass / nitrile / acetal |

Repair and Service Kits

| | |
|---|-------------------|
| Adjustment dial knob | RRP-16-024 |
| O-ring, repair kit | GRP-95-262 |
| Piston, bottom and o-ring seal | RRP-95-192 |
| Pistons and bonnet repair kit | RRP-95-766 |
| Spring, regulation, Belleville washer – 2 to 40 psig range | RRP-95-906 |
| Spring, regulation, Belleville washer – 5 to 160 psig range | RRP-95-905 |
| Spring, main valve | RRP-95-024 |
| Tamper resistant kit | RRP-95-585 |
| Valve, main with o-ring seal | RRP-95-153 |
| Valve, pilot with o-ring and valve spring | RRP-96-935 |

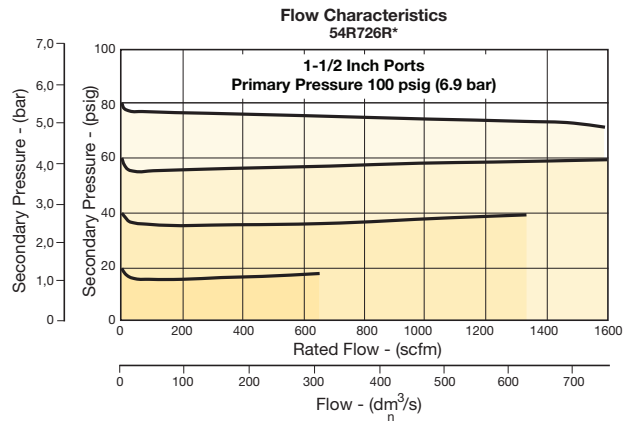


Inches (mm)

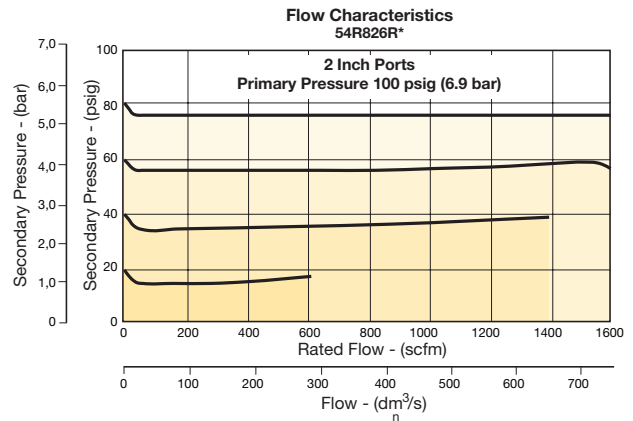
Air Preparation Products Regulator Products

Flow Charts

54R 1-1/2" Regulator



54R 2" Regulator



WARNING
Product rupture can cause serious injury.
Do not connect regulator to bottled gas.
Do not exceed Maximum primary pressure rating.

General

Dial

Pilot

Proportional

Precision

Water

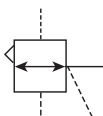
K

Regulator Products



11R Pilot Controlled Regulator – Compact

- Balanced poppet provides quick response and accurate pressure regulation
- Pilot controlled regulators can be mounted “out of reach” with pilot regulator installed in a convenient location
- Solid control piston for extended life
- Two full flow 1/4" gauge ports can be used as additional outlets
- Pilot port 1/4 Inch
- 1/4", 3/8", 1/2" ports (NPT, BSPP)



| Port Size | Description | Part Number |
|-----------|--------------------|-----------------|
| 1/4" | Without Gauge | 11R115PC |
| 1/4" | With 160 psi Gauge | 11R121PC |
| 3/8" | Without Gauge | 11R215PC |
| 3/8" | With 160 psi Gauge | 11R221PC |
| 1/2" | Without Gauge | 11R315PC |
| 1/2" | With 160 psi Gauge | 11R321PC |

NOTE: 2.0 Dia. (51 mm) hole required for panel mounting.

Operating information

| | | |
|------------------------------|---|--|
| Supply pressure (max): | 0 to 250 psig (0 to 17.2 bar) | |
| Operating temperature: | 32°F to 175°F (0°C to 80°C) | |
| Flow capacity [†] : | | |
| High flow | 1/4" | 85 scfm (40 dm ³ /s, ANR) |
| | 3/8" | 95 scfm (44.8 dm ³ /s, ANR) |
| | 1/2" | 95 scfm (44.8 dm ³ /s, ANR) |
| Gauge ports (2): | 1/4 inch (can be used as additional full flow 1/4 inch outlet ports) | |
| Weight: | 1.3 lb (0.53 kg) | |

[†] scfm = Standard cubic feet per minute at 100 psig inlet, 90 psig no flow secondary setting and 10 psig pressure drop.

Ordering Information:

11R

| Port Threads | |
|--------------|---|
| 1/4 inch | 1 |
| 3/8 inch | 2 |
| 1/2 inch | 3 |

2

| Relief / Gauge Options | |
|------------------------|----|
| Without gauge | |
| Non-relieving piston | 14 |
| Relieving piston | 15 |
| With gauge * | |
| Non-relieving piston | 19 |
| Relieving piston | 21 |

* Includes 2" dial face gauge 0 to 300 psig.

15

P

| Adjustment | |
|------------|----------------|
| P | Pilot Operated |

C

| Engineering Level | |
|-------------------|---------|
| C | Current |

Port Type

| | |
|-------|------|
| Blank | NPT |
| 1 | BSPP |

Most popular.



For inventory, lead times, and kit lookup, visit www.pdnplu.com

K50

Parker Hannifin Corporation
Pneumatic Division
Richland, Michigan
www.parker.com/pneumatics

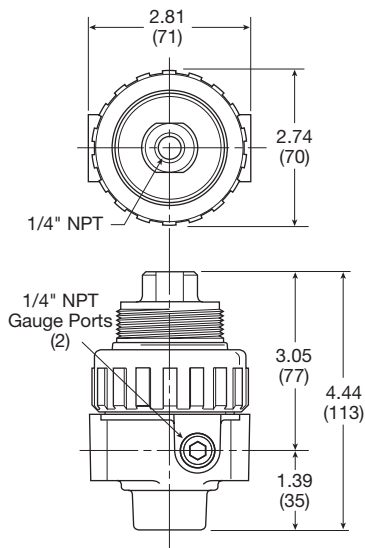
Compact Pilot Controlled Regulators

Material Specifications

| | |
|--------------------------------|---------|
| Body & pilot cap | Zinc |
| Piston, valve poppet, & collar | Plastic |
| Seals | Nitrile |
| Springs | Steel |

Repair and Service Kits

| | |
|--|---------------------|
| Seat Insert kit | PS713P |
| 2" dial face 60 psig (0 to 4.1 bar), gauge | K4520N14060 |
| 2" dial face 160 psig (0 to 11.0 bar), gauge | K4520N14160 |
| 2" dial face 300 psig (0 to 20.7 bar), gauge | K4520N14300 |
| 1-3/4" digital round face 160 psig (0 to 11.0 bar), gauge | K4517N14160D |
| Mounting bracket kit (includes panel mount nut) | PS707P |
| Panel mount nut, plastic | P04082 |
| Panel mount nut, metal | P04079B |
| Pilot conversion kit – relieving | PS745P |
| Non-Relieving | PS747P |
| Relieving | PS749P |

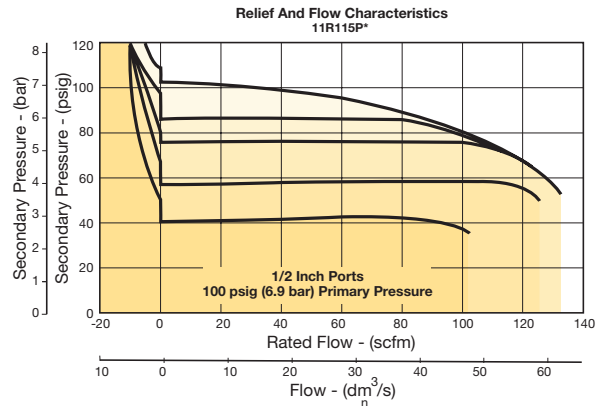


Inches (mm)

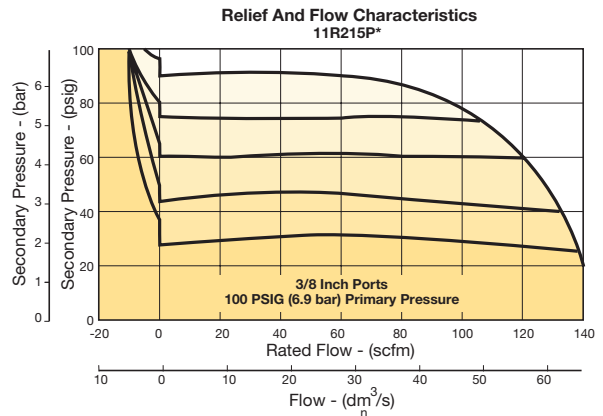
Air Preparation Products Regulator Products

Flow Charts

1/2" Regulator



3/8" Regulator

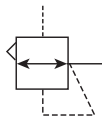


WARNING

Product rupture can cause serious injury.
Do not connect regulator to bottled gas.
Do not exceed Maximum primary pressure rating.

12R Pilot Controlled Regulator – Standard

- Balanced poppet provides quick response and accurate pressure regulation
- Pilot controlled regulators can be mounted “out of reach” with pilot regulator installed in a convenient location
- Solid control piston for extended life
- Two full flow 1/4" gauge ports can be used as additional outlets
- Pilot port 1/4 Inch
- 1/2", 3/4" ports (NPT, BSPP, BSPT)



Operating information

| | | |
|------------------------|---|--------------------------|
| Supply pressure (max): | 0 to 250 psig (0 to 17.2 bar) | |
| Operating temperature: | 32°F to 175°F (0°C to 80°C) | |
| Flow capacity†: | | |
| High flow | 1/2" | 140 scfm (66 dm³/s, ANR) |
| | 3/4" | 140 scfm (66 dm³/s, ANR) |
| Gauge ports (2): | 1/4 inch (can be used as additional full flow 1/4 inch outlet ports) | |
| Weight: | 2.0 lb (0.91 kg) | |

† scfm = Standard cubic feet per minute at 100 psig inlet, 90 psig no flow secondary setting and 10 psig pressure drop.

| Port Size | Description | Part Number |
|-----------|--------------------|-----------------|
| 1/2" | Without Gauge | 12R315PB |
| 1/2" | With 160 psi Gauge | 12R321PB |
| 3/4" | Without Gauge | 12R415PB |
| 3/4" | With 160 psi Gauge | 12R421PB |

NOTE: 2.0 Dia. (51 mm) hole required for panel mounting.

Ordering Information:

12R

| Port Threads | |
|--------------|---|
| 1/2 inch | 3 |
| 3/4 inch | 4 |

3

| Relief / Gauge Options | |
|------------------------|----|
| Without Gauge | |
| Non-Relieving Piston | 14 |
| Relieving Piston | 15 |
| With Gauge * | |
| Non-Relieving Piston | 19 |
| Relieving Piston | 21 |

* Includes 2" dial face gauge 0 to 300 psig.

15

P

| Adjustment | |
|------------|----------------|
| P | Pilot Operated |

B

| Engineering Level | |
|-------------------|---------|
| B | Current |

Port Type

| | |
|-------|------|
| Blank | NPT |
| 1 | BSPP |
| 2 | BSPT |

Most popular.



For inventory, lead times, and kit lookup, visit www.pdnplu.com

K52

Parker Hannifin Corporation
Pneumatic Division
Richland, Michigan
www.parker.com/pneumatics

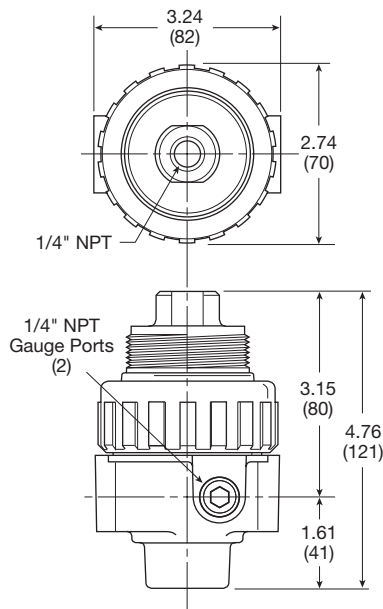
Standard Pilot Controlled Regulators

Material Specifications

| | |
|--------------------------------|---------|
| Body & pilot cap | Zinc |
| Piston, valve poppet, & collar | Plastic |
| Seals | Nitrile |
| Springs | Steel |

Repair and Service Kits

| | |
|---|---------------------|
| Seat insert kit | PS813P |
| 2" dial face 60 psig (0 to 4.1 bar) | K4520N14060 |
| 2" dial face 160 psig (0 to 11.0 bar) | K4520N14160 |
| 2" dial face 300 psig (0 to 20.7 bar) | K4520N14300 |
| 1-3/4" digital round face 160 psig (0 to 11.0 bar) | K4517N14160D |
| Mounting bracket kit (includes panel mount nut) | PS807P |
| Panel mount nut, plastic | P04082 |
| Panel mount nut, metal | P04079B |
| Pilot conversion kit – relieving | PS745P |
| Non-relieving | PS847P |
| Relieving | PS849P |

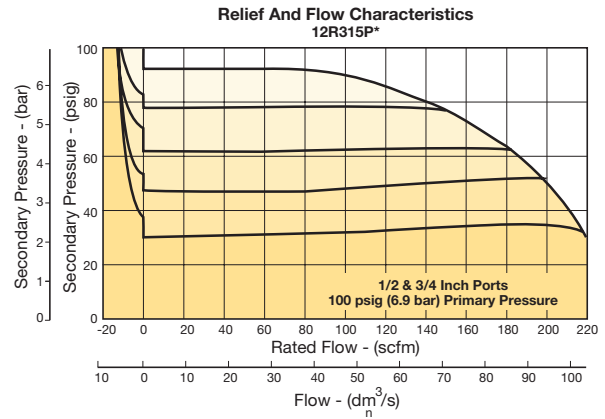


Inches (mm)

Air Preparation Products Regulator Products

Flow Charts

1/2 and 3/4" Regulator



⚠ WARNING

**Product rupture can cause serious injury.
Do not connect regulator to bottled gas.
Do not exceed Maximum primary pressure rating.**

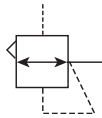
| |
|--------------------|
| General |
| Dial |
| Pilot |
| Proportional |
| Precision |
| Water |
| K |
| Regulator Products |



For inventory, lead times, and kit lookup, visit www.pdnplu.com

P3NR Pilot Controlled Regulator - Hi-Flow

- Port blocks (PB) available to provide 1-1/2" port extension to 1" ported bodies
- Self relieving feature plus balanced poppet provides quick response and accurate pressure regulation
- Solid control piston for extended life
- 3/4", 1" 1-1/2" ports (NPT, BSPP)



| Port Size | Description | Part Number |
|-----------|---------------|-------------------|
| 3/4" | Without Gauge | P3NRA96BPP |
| 1" | Without Gauge | P3NRA98BPP |
| 1-1/2" # | Without Gauge | P3NRA9PBPP |

1" port body with 1-1/2" port block.

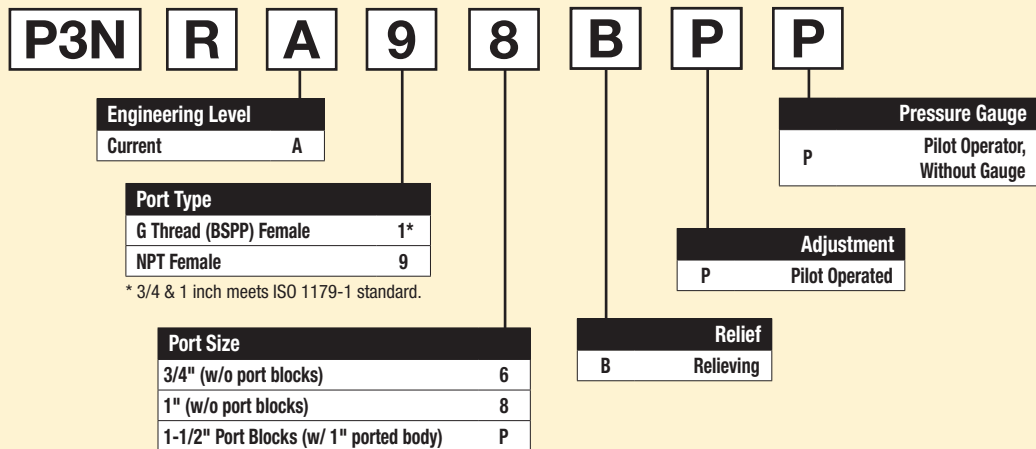
Operating information

| | |
|------------------------|-----------------------------|
| Supply pressure (max): | 250 psig (17.2 bar) |
| Operating temperature: | 32°F to 175°F (0°C to 80°C) |
| Flow capacity†: | |
| High flow | |
| 3/4" | 300 scfm (141.6 dm³/s, ANR) |
| 1" | 300 scfm (141.6 dm³/s, ANR) |
| 1-1/2" | 350 scfm (165.2 dm³/s, ANR) |
| Gauge ports (2): | 1/4 inch |
| Weight: | |
| 3/4", 1" | 3.3 lb (1.5 kg) |
| 1-1/2" # | 4.4 lb (2.0 kg) |

† scfm = Standard cubic feet per minute at 100 psig inlet, 90 psig no flow secondary setting and 10 psig pressure drop.

1" port body with 1-1/2" port block

Ordering Information:



Note: BSPP ported units supplied using NPT ported bodies and BSPP port block kits.

Most popular.



For inventory, lead times, and kit lookup, visit www.pdnplu.com

K54

Parker Hannifin Corporation
Pneumatic Division
Richland, Michigan
www.parker.com/pneumatics

Hi-Flow Pilot Controlled Regulators

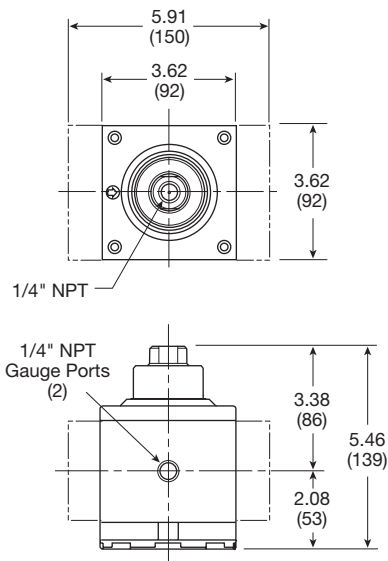
Material Specifications

| | |
|------------------|----------|
| Adjusting stem | Steel |
| Body | Aluminum |
| Bonnet | Aluminum |
| Piston | Plastic |
| Poppet assembly | Brass |
| Seals | Nitrile |
| Springs – poppet | Steel |

Repair and Service Kits

| | |
|--|---------------------|
| 2" dial face 60 psig (0 to 4.1 bar), gauge | K4520N14060 |
| 2" dial face 160 psig (0 to 11.0 bar), gauge | K4520N14160 |
| 2" dial face 300 psig (0 to 20.7 bar), gauge | K4520N14300 |
| 1-3/4" digital round face 160 psig (0 to 11.0 bar), gauge | K4517N14160D |
| Mounting bracket kit* | P3NKA00MW |
| Relieving | P3NKA00PD |

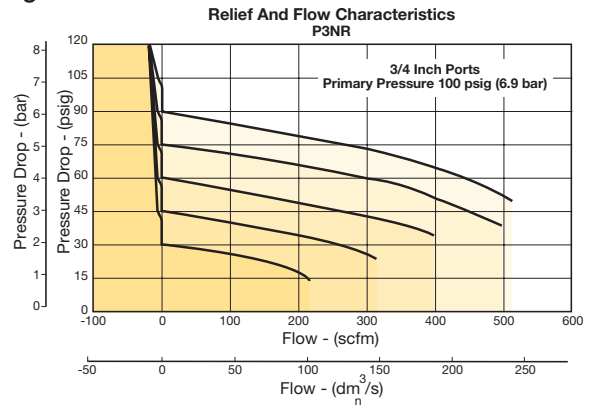
* If 1-1/2 BSPP E02 fittings are required, use P3NKA00BMW.



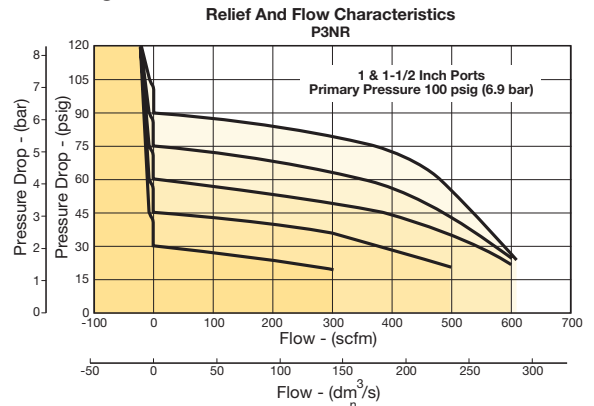
Air Preparation Products Regulator Products

Flow Charts

3/4" Regulator



1" & 1-1/2" Regulator



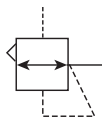
⚠ WARNING

**Product rupture can cause serious injury.
Do not connect regulator to bottled gas.
Do not exceed Maximum primary pressure rating.**



R119 – Pilot Operated Regulators

- Adapted for control by a remote or distant small pilot regulator. Ideal for maximum capacity requirements in applications where units are not readily accessible
- High flow performance featuring rugged design for the most demanding applications
- Ideal for those installations calling for constant pressure with wide variation in flow
- Diaphragm operated design with balanced poppet and constant bleed pilot for quick and accurate regulation.
- Secondary aspiration plus balanced poppet provides quick response and accurate pressure regulation
- Reverse flow available
- 1/4", 3/8", 1/2" ports (NPT, BSPP)



| Port Size | Description (0-125 psig reduced pressure) | Part Number |
|-----------|---|--------------------|
| 1/4" | Without Gauge, Relieving, NPT | R119-02J/M2 |
| 3/8" | Without Gauge, Relieving, NPT | R119-03J/M2 |
| 1/2" | Without Gauge, Relieving, NPT | R119-04J/M2 |

Operating information

| | | |
|------------------------------|--|---|
| Supply pressure (max): | 300 psig (0 to 20.7 bar) | |
| Air consumption: | Constant bleed from air pilot chamber: approx. 0.17 scfm (10 scfh) | |
| Operating temperature: | 40°F to 125°F (4.4°C to 52°C) | |
| Pilot pressure: | 1/4", 3/8" thread - 1/8" 1/2" thread - 1/4" | |
| Reduced pressure range: | Adjustable to within 5 to 7 psig (0.34 to 0.48 bar) of supply pressure | |
| Flow capacity [†] : | | |
| High flow | 1/4" | 100 scfm (47.2 dm ³ /s, ANR) |
| | 3/8" | 110 scfm (51.9 dm ³ /s, ANR) |
| | 1/2" | 150 scfm (70.8 dm ³ /s, ANR) |
| Gauge ports (2): | 1/4 inch | |
| Weight: | 1/4" | 1.6 lb (0.73 kg) |
| | 3/8" | 1.6 lb (0.73 kg) |
| | 1/2" | 2.6 lb (1.18 kg) |

[†] scfm = Standard cubic feet per minute at 100 psig inlet, 75 psig no flow secondary setting and 20 psig pressure drop.

Ordering Information:

R119
-
02
J

/**

Port Threads

| | |
|------|---|
| NPT | - |
| BSPP | G |

Port Size

| | |
|----------|----|
| 1/4 inch | 02 |
| 3/8 inch | 03 |
| 1/2 inch | 04 |

Reduced Pressure Range

| | |
|--------------------|---|
| Air Pilot Operated | J |
|--------------------|---|

Engineering Level

| | |
|-----|----------------------------|
| /** | Will Be Entered at Factory |
|-----|----------------------------|

Options

| | |
|-------|---|
| Blank | None |
| K | Non-Relieving |
| X64* | Fluorocarbon O-Rings and Diaphragm |
| X71 | Non-Bleed (for use with electronic controllers) |
| X7 | Brass Bottom Plug |

* Brass bottom plug standard with X64 option.

 Most popular.



For inventory, lead times, and kit lookup, visit www.pdnplu.com

K56

Parker Hannifin Corporation
 Pneumatic Division
 Richland, Michigan
www.parker.com/pneumatics

Material Specifications

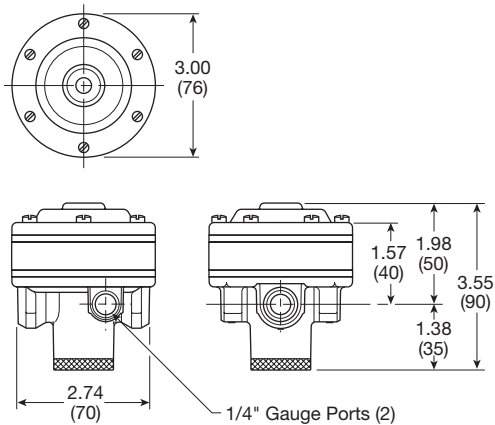
| | |
|-----------------------|--------|
| Body, ring, top plate | Zinc |
| Bottom plug | Nylon |
| Innervalve | Brass |
| Seals | Buna N |

Repair and Service Kits

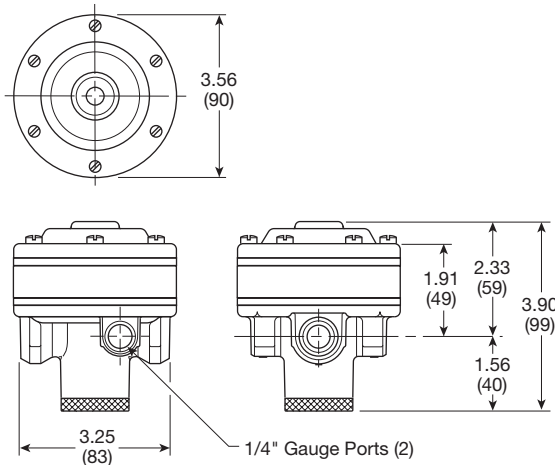
| | |
|--|---------------------|
| 2" dial face 60 psig (0 to 4.1 bar), gauge | K4520N14060 |
| 2" dial face 160 psig (0 to 11.0 bar), gauge | K4520N14160 |
| 2" dial face 300 psig (0 to 20.7 bar), gauge | K4520N14300 |
| 1-3/4" digital round face 160 psig (0 to 11.0 bar), gauge | K4517N14160D |
| Non-relieving diaphragm, valve assembly (1/2") | RK118X20A |
| Non-relieving diaphragm, valve assembly (1/4", 3/8") | RK118X20Y |
| Relieving diaphragm, valve assembly (1/2") | RK119X20A |
| Relieving diaphragm, valve assembly (1/4", 3/8") | RK119X20Y |

For fluorocarbon repair kits, add X64 to kit number suffix.
 For non-bleed pilot repair kits, add X71 to kit number suffix.

R119-02J, R119-03J



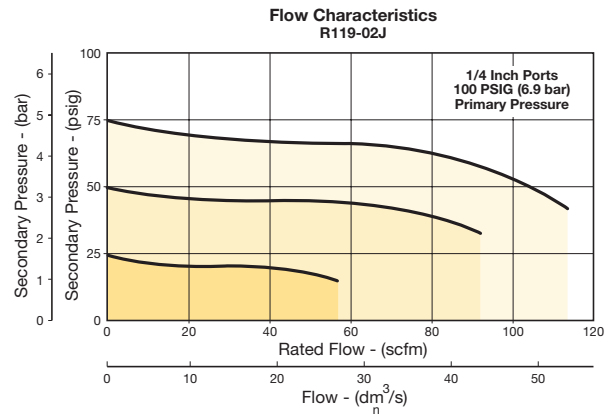
R119-04J



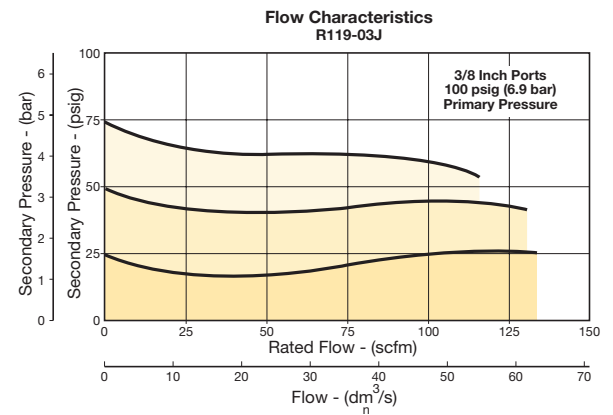
Inches (mm)

Flow Charts

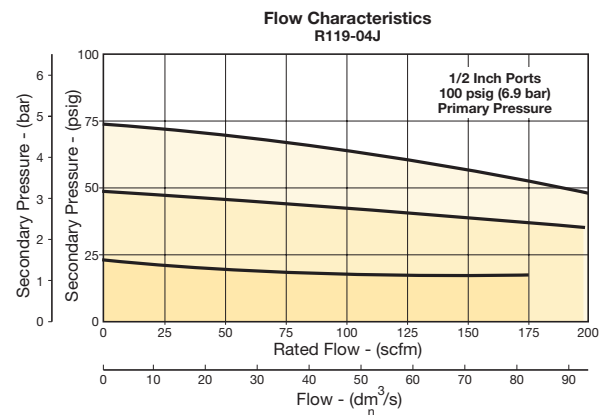
1/4" Regulator



3/8" Regulator



1/2" Regulator



⚠ WARNING
 Product rupture can cause serious injury.
 Do not connect regulator to bottled gas.
 Do not exceed Maximum primary pressure rating.

General
 Dial
 Pilot
 Proportional
 Precision
 Water
K
 Regulator Products



For inventory, lead times, and kit lookup, visit www.pdnplu.com

R119 Pilot Operated Regulators - Hi-Flow

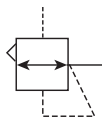
- Adapted for control by a remote or distant small pilot regulator. Ideal for maximum capacity requirements in applications where units are not readily accessible
- High flow performance featuring rugged design for the most demanding applications
- Ideal for those installations calling for constant pressure with wide variation in flow
- Diaphragm operated design with balanced poppet and constant bleed pilot for quick and accurate regulation
- Secondary aspiration plus balanced poppet provides quick response and accurate pressure regulation
- Reverse flow version available
- 3/4", 1", 1-1/2" ports (NPT, BSPP)



Operating information

| | | |
|------------------------------|--|--|
| Supply pressure (max): | 300 psig (0 to 20.7 bar) | |
| Air consumption: | Constant bleed from air pilot chamber: approx. 0.17 scfm (10 scfh) | |
| Operating temperature: | 40°F to 125°F (4.4°C to 52°C) | |
| Reduced pressure range: | Adjustable to within 5 to 7 psig (0.34 to 0.48 bar) of supply pressure | |
| Flow capacity [†] : | | |
| High flow | 3/4" | 300 scfm (141.6 dm ³ /s, ANR) |
| | 1" | 300 scfm (141.6 dm ³ /s, ANR) |
| | 1-1/2" | 500 scfm (236 dm ³ /s, ANR) |
| Gauge ports (2): | 1/4 inch | |
| Weight: | 3/4" | 5.2 lb (2.36 kg) |
| | 1" | 5.2 lb (2.36 kg) |
| | 1-1/2" | 5.6 lb (2.54 kg) |

[†] scfm = Standard cubic feet per minute at 100 psig inlet, 75 psig no flow secondary setting and 20 psig pressure drop.



| Port Size | Description (0-125 psig reduced pressure) | Part Number |
|-----------|---|--------------------|
| 3/4" | Without gauge, relieving, NPT | R119-06J/M2 |
| 1" | Without gauge, relieving, NPT | R119-08J/M2 |
| 1-1/2" | Without gauge, relieving, NPT | R119-12J/M2 |

Ordering Information:

R119

| Port Threads | |
|--------------|---|
| NPT | - |
| BSPP | G |

-

| Port Size | |
|------------|----|
| 3/4 inch | 06 |
| 1 inch | 08 |
| 1-1/2 inch | 12 |

06

J

| Reduced Pressure Range | |
|------------------------|---|
| Air Pilot Operated | J |

/**

| Engineering Level | |
|-------------------|----------------------------|
| ** | Will Be Entered at Factory |

| Options | |
|---------|---|
| Blank | None |
| K | Non-Relieving |
| X64* | Fluorocarbon O-Rings and Diaphragm |
| X71 | Non-Bleed (for use with electronic controllers) |
| X80 | Reverse Flow |

* Brass bottom plug standard with X64 option.

Most popular.



For inventory, lead times, and kit lookup, visit www.pdnplu.com

Hi-Flow Regulators

Material Specifications

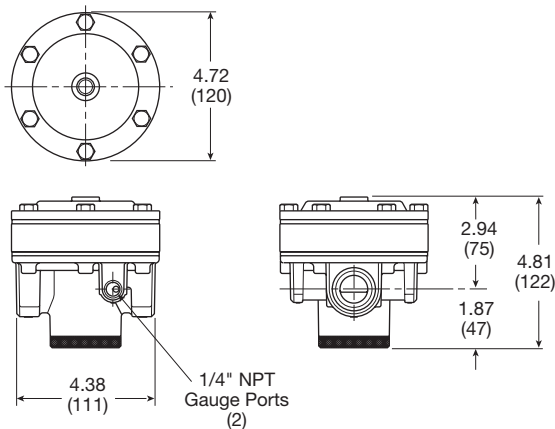
| | |
|-------------------------|--------|
| Body, ring, top plate | Zinc |
| Bottom plug, innervalve | Brass |
| Seals | Buna N |

Repair and Service Kits

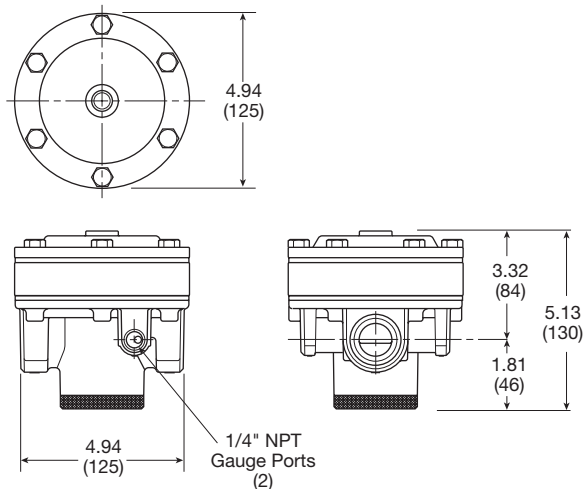
| | |
|--|---------------------|
| 2" dial face 60 psig (0 to 4.1 bar), gauge | K4520N14060 |
| 2" dial face 160 psig (0 to 11.0 bar), gauge | K4520N14160 |
| 2" dial face 300 psig (0 to 20.7 bar), gauge | K4520N14300 |
| 1-3/4" digital round face 160 psig (0 to 11.0 bar), gauge | K4517N14160D |
| Non-relieving diaphragm, valve assembly (3/4", 1") | RK118X20B |
| Non-relieving diaphragm, valve assembly (1-1/4", 1-1/2") | RK118X20D |
| Relieving diaphragm, valve assembly (3/4", 1") | RK119X20B |
| Relieving diaphragm, valve assembly (1-1/4", 1-1/2") | RK119X20D |

For Fluorocarbon Repair Kits, add X64 to Kit Number suffix.

R119-06J, R119-08J



R119-12J

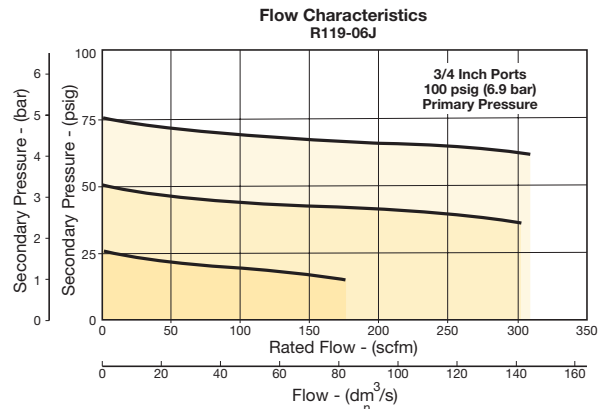


Inches (mm)

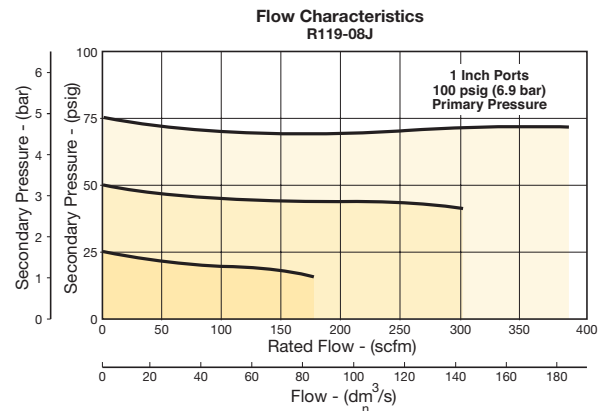
Air Preparation Products Regulator Products

Flow Charts

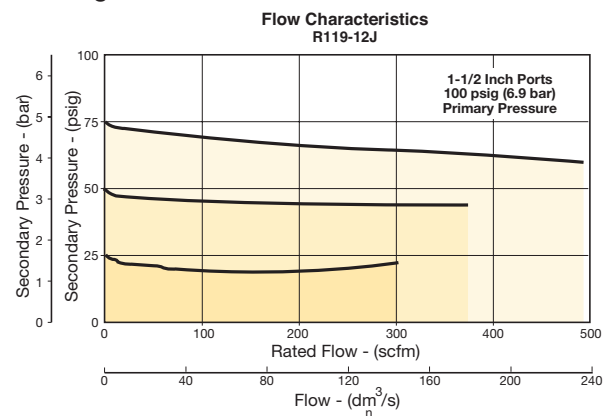
3/4" Regulator



1" Regulator



1-1/2" Regulator



⚠ WARNING

**Product rupture can cause serious injury.
Do not connect regulator to bottled gas.
Do not exceed Maximum primary pressure rating.**



For inventory, lead times, and kit lookup, visit www.pdnplu.com

General

Dial

Pilot

Proportional

Precision

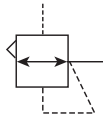
Water

K

Regulator Products

R119 Pilot Operated Regulators - Hi-Flow

- Adapted for control by a remote or distant small pilot regulator. Ideal for maximum capacity requirements in applications where units are not readily accessible
- High flow performance featuring rugged design for the most demanding applications
- Ideal for those installations calling for constant pressure with wide variation in flow
- Piston operated design with balanced poppet and dual constant bleed for quick and accurate regulation
- 2", 2-1/2" ports (NPT, BSPP)



| Port Size | Description (0-125 psig reduced pressure) | Part Number |
|-----------|---|-----------------|
| 2" | Without Gauge, Relieving, NPT | R119-16J |
| 2-1/2" | Without Gauge, Relieving, NPT | R119-20J |

Operating information

| | |
|--------------------------------|--|
| Supply pressure (max): | 300 psig (0 to 20.7 bar) |
| Air consumption: | |
| Constant bleed from | Air pilot chamber: approx. 0.17 scfm (10 scfh) |
| | Reduced pressure: approx. 0.17 scfm (10 scfh) |
| Operating temperature: | 40°F to 120°F (4.4°C to 48.9°C) |
| Reduced pressure range: | Adjustable to within 5 to 7 psig (0.34 to 0.48 bar) of supply pressure |
| Flow capacity†: | |
| High flow | 2" 1800 scfm (850 dm³/s, ANR) |
| | 2-1/2" 1800 scfm (850 dm³/s, ANR) |
| Gauge ports (2): | |
| Can be used for full flow | 1/4 inch |
| High pressure outlet for pilot | 1/4 inch |
| Weight: | 15 lb (6.8 kg) |

† scfm = Standard cubic feet per minute at 100 psig inlet, 75 psig no flow secondary setting and 20 psig pressure drop.

Ordering Information:

R119 - 16 J

| Port Threads | |
|--------------|---|
| NPT | - |
| BSPP | G |

| Reduced Pressure Range | |
|------------------------|--------------------|
| J | Air Pilot Operated |

| Port Size | |
|------------|----|
| 2 inch | 16 |
| 2-1/2 inch | 20 |

NOTE: Non-relieving not available.

Most popular.



For inventory, lead times, and kit lookup, visit www.pdnplu.com

K60

Parker Hannifin Corporation
 Pneumatic Division
 Richland, Michigan
www.parker.com/pneumatics

Hi-Flow Regulators

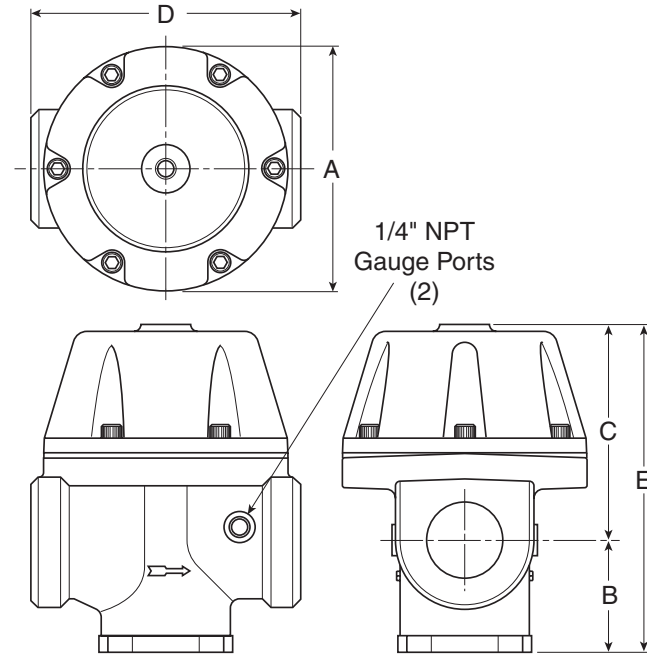
Material Specifications

| | |
|--------------|-------------------|
| Body, piston | Aluminum |
| Seals | Buna N |
| Innervalve | Brass & stainless |

Repair and Service Kits

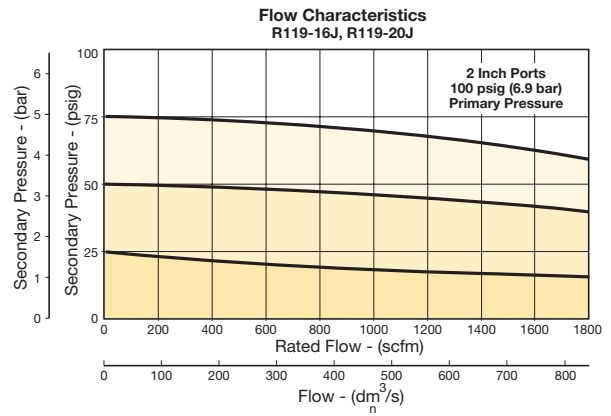
| | |
|--|---------------------|
| 2" dial face 60 psig (0 to 4.1 bar), gauge | K4520N14060 |
| 2" dial face 160 psig (0 to 11.0 bar), gauge | K4520N14160 |
| 2" dial face 300 psig (0 to 20.7 bar), gauge | K4520N14300 |
| 1-3/4" digital round face 160 psig (0 to 11.0 bar), gauge | K4517N14160D |
| Piston type regulation (2", 2-1/2") | RK119G |

R119-16J, R119-20J



Air Preparation Products Regulator Products

Flow Charts



WARNING

Product rupture can cause serious injury.
Do not connect regulator to bottled gas.
Do not exceed Maximum primary pressure rating.

| |
|--------------------|
| General |
| Dial |
| Pilot |
| Proportional |
| Precision |
| Water |
| K |
| Regulator Products |



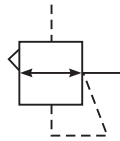
For inventory, lead times, and kit lookup, visit www.pdnplu.com

K61

Parker Hannifin Corporation
Pneumatic Division
Richland, Michigan
www.parker.com/pneumatics

P3Y Pilot Operated Regulator

- Integral 3/4" or 1" ports (BSPP & NPT)
- Pilot controlled regulators can be mounted "out of reach" with pilot regulator installed in a convenient location
- Constant pilot bleed control for accurate pressure control
- Balanced poppet provides quick response
- High flow



Operating information

| | |
|---|----------------------------------|
| Supply pressure (max): | 254 psig (17.5 bar) |
| Operating temperature: | -40°F to 140°F (-40°C to 60°C) |
| Flow capacity†: | 3/4" 550 scfm (259.6 dm³/s, ANR) |
| | 1" 550 scfm (259.6 dm³/s, ANR) |
| Fluid: | Compressed air |
| Weight: | 2.6 lb (1.2 kg) |
| † Inlet pressure 145 psig (10 bar) inlet pressure, 91.4 psig (6.3 bar) set pressure and 7.3 psig (0.5 bar) pressure drop. | |

| Port Size | Description | Part Number |
|-----------|--------------------------|--------------------|
| 3/4" | Pilot Operated Regulator | P3YRA96BPPN |
| 1" | Pilot Operated Regulator | P3YRA98BPPN |

Ordering Information

P3YRA 9 6 BPPN

| Basic Series | Thread Type* | Port Size |
|--------------------------------|--------------|-----------|
| Pilot Operated Regulator P3YRA | BSPP 1 | 3/4 6 |
| | NPT 9 | 1 8 |

* Note: For 1-1/2" ported unit, please order P3YKA*BCP port block kit separately.

Most popular.



For inventory, lead times, and kit lookup, visit www.pdnplu.com

K62

Parker Hannifin Corporation
Pneumatic Division
Richland, Michigan
www.parker.com/pneumatics

K
Regulator Products

General

Dial

Pilot

Proportional

Precision

Water

Pilot Operated Regulators

Material specifications

| | |
|---------------------|-----------------------|
| Body | Aluminium |
| Body cover | ABS |
| Valve | Brass / NBR composite |
| Pilot valve booster | Aluminum |
| Seals | Nitrile NBR |
| Screws | Zinc plated steel |

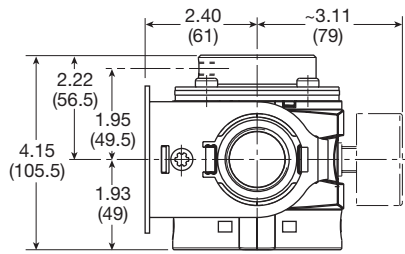
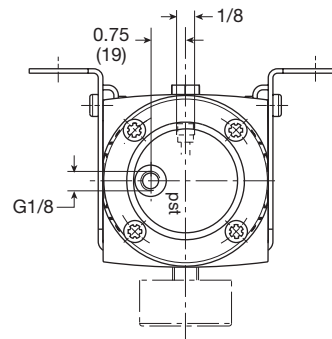
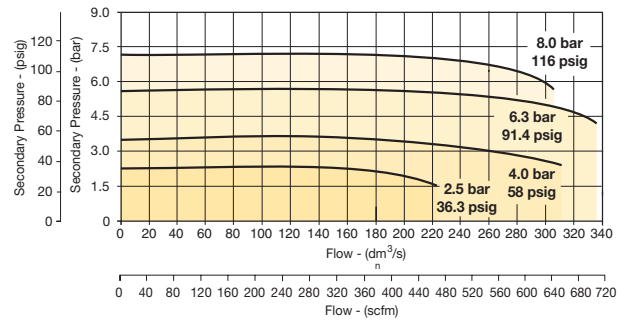
WARNING

Product rupture can cause serious injury.
Do not connect regulator to bottled gas.
Do not exceed Maximum primary pressure rating.

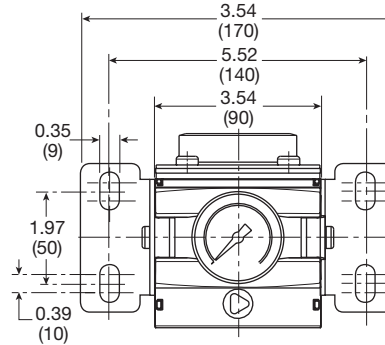
Air Preparation Products Regulator Products

Flow characteristics

3/4" and 1" Pilot Regulator



Inches (mm)



General

Dial

Pilot

Proportional

Precision

Water

K

Regulator Products



Proportional Regulators

P31P & P32P Proportional Regulators

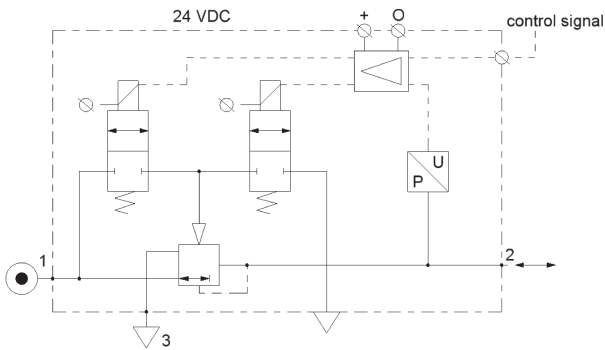
- Very fast response times
- Accurate output pressure
- Parameter settings
- Selectable I/O parameters
- Quick, full flow exhaust
- LED display indicates output pressure
- No air consumption in steady state
- Multiple mounting options
- Protection to IP65



P31P Series
Bottom exhaust



P32P Series
Bottom exhaust



| Port Size | Description | Part Number |
|-----------|-------------------------------|-----------------------|
| 1/4" | 145 psig (0-10 bar), NC 0-10V | P31PA92AD2VD1A |
| 1/2" | 145 psig (0-10 bar), NC 0-10V | P32PA92AD2VD1A |

Operating information

| | | |
|---------------------------|---|---------------------------------------|
| Flow capacity*: | P31P | 40 scfm (19 dm ³ /s, ANR) |
| | P32P | 120 scfm (57 dm ³ /s, ANR) |
| Temperature range: | 32°F to 122°F (0°C to 50°C) | |
| Supply pressure (max): | 2 bar unit | 36.3 psig (2.5 bar) |
| | 10 bar unit | 152 psig (10.5 bar) |
| Operating pressure (min): | P2 pressure + 7.3 psig (0.5 bar) | |
| Working medium: | Compressed air or inert gasses, filtered to 40µ | |
| Pressure range: | 0 to 30 psig (0 to 2 bar) | 0 to 145 psig (0 to 10 bar) |
| Weight: | P31P | 0.64 lb (0.291 kg) |
| | P32P | 1.42 lb (0.645 kg) |

* Inlet pressure 91.3 psig (6.3 bar), inlet pressure and 4.9 psig (0.34 bar) pressure drop.

Ordering Information:

P31PA 9 2 A D 2 V D 1 A

| | | | | |
|-------------------------------------|--|-----------------------------|---|------------------------|
| Body Size | Thread Type | Power Supply | Control Signal | Input Connector |
| Global Modular Mini (1/4") P31PA | BSPP 1 | 2 24 Volts | V 0-10V [†] | 1 M12 (4-pin) |
| Global Modular Compact (1/2") P32PA | BSPT 2 | | ‡ Factory setting is 0-10 V control signal. 4-20 mA control signal available via parameter 4 on keypad. | |
| | NPT 9 | | | |
| Port Size | Version | Pressure Range | Output Signal | |
| Global Modular Mini (1/4") 2 | Bottom Ported Exhaust (NC) A | Z 0 - 29 psig (0 - 2 bar) | D Digital, PNP | |
| Global Modular Compact (1/2") 4 | Bottom Ported Forced Exhaust (NO) [†] E | D 0 - 145 psig (0 - 10 bar) | P PNP or 0-10V | |
| | | | N NPN or 0-10V | |
| | | | M 4-20mA Fixed | |

† When the supply voltage is lost the unit will automatically exhaust the regulated pressure to 0 bar (atmospheric pressure)

D) Digital PNP output only, no analog output selectable
 P) Digital PNP and analogue 0-10V outputs selectable, by means of parameter 6. (Factory default 0-10V)
 N) Digital NPN and analog 0-10 V outputs selectable by means of parameter 6. Factory default 0-10V
 M) Analog 4-20mA output only.
 Note: On all analog outputs the F.S. value can be adjusted by means of parameter 8.

Most popular.



For inventory, lead times, and kit lookup, visit www.pdnplu.com

Proportional Regulators

Air Preparation Products Regulator Products

Technical Information

Accuracy

+/- 1.0% of F.S.*

* Full scale (F.S.) - For 2 bar (29 psig) versions this will be 2 bar (29 psig), for the 10 bar (145 psig) version full scale will be 10 bar (145 psig).

Air consumption

No consumption in stable regulated situation.

Display

The regulator is provided with a digital display, indicating the output pressure, either in bar or psig.

The factory setting is as indicated on the label, can be changed through to software at all times (parameter 14)

Supply voltage

24 VDC +/- 10%

Power consumption

Max. 1.1W with unloaded signal outputs

Control signals

The electronic pressure regulator can be externally controlled through an analogue control signal of either 0-10V or 4-20mA. (parameter 4).

Output signals

As soon as the output pressure is within the signal band a signal is given of 24VDC, PNP Ri = 1 kOhm
Outside the signal band this connection is 0V.

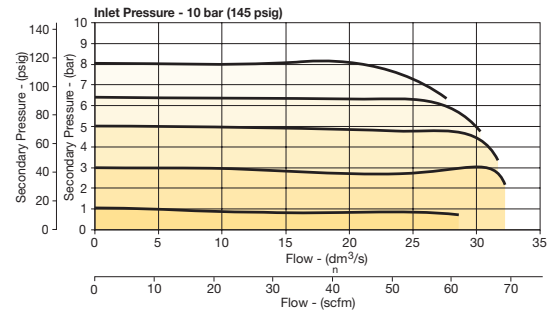
Connections

(In case of output signal (Option D)
Central M12 connector 4-pole
The electrical connections are as follows:

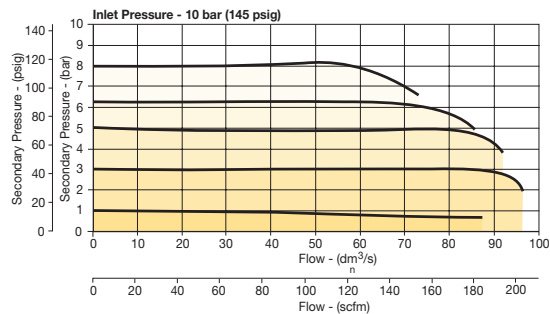
| Pin No. | Function | Color |
|---------|--------------------------------------|-------|
| 1 | 24 V Supply | Brown |
| 2 | 0 to 10 V Control Signal Ri = 100k Ω | White |
| | 4 to 20mA Control Signal Ri = 500 Ω | |
| 3 | 0 V (GND) Supply & Set Point Ground | Blue |
| 4 | 24 V Alarm Output Signal | Black |

Flow Charts

P31P Regulator 1/4" Ports



P32P Regulator 1/2" Ports



Degree of protection: IP65

EU conformity

CE: standard

EMC: according to directive 89/336/EEC

This pressure regulator is in accordance with:

EN 61000-6-1:2001

EN 61000-6-2:2001

EN 61000-6-3:2001

EN 61000-6-4:2001

Mounting position

Preferably vertical, with the cable gland on top.

Materials: P31P & P32P

| | |
|---------------------------------------|----------------|
| Magnet core | Steel |
| Solenoid valve poppet | FPM |
| Solenoid valve housing | Techno polymer |
| Regulator body (P31P & P32P versions) | Aluminum |
| Regulator top housing | Nylon |
| Valve head | Brass & NBR |
| Remaining seals | NBR |

General

Dial

Pilot

Proportional

Precision

Water

K

Regulator Products

How to change parameters – How to Videos available at www.parker.com/pneu/propreg

Pressing the Accept key “acc” for more than 3 seconds, will activate parameter change mode. The user can then select the parameters by pressing up or down key (display will show Pxx). When parameter number is correct, pressing accept again will enter parameter number (display will show parameter value).

Pressing the up or down key will change the parameter itself (display will flash indicating parameter editing mode). Pressing the accept key will accept the new parameter value (all digits will flash whilst being accepted).

After releasing all keys, the next parameter number will be presented on the display (you may step to the next parameter). When no key is pressed, after 3 seconds the display will show the actual output pressure.

When the unit is initially powered up allow approximately 10 seconds for the unit to “boot-up” before changing parameter settings.

Only parameter numbers 0, 4, 6, 8, 9, 14, 18, 19, 20, 12, 13 and 21 are accessible to edit. All other parameters are fixed.

Manual mode:



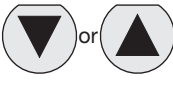

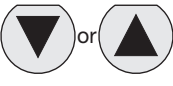







When keys DOWN and UP are pressed during startup, (connecting to the 24V power supply) manual mode is activated. This means that the user is able to in/decrease the output pressure of the regulator, by pressing the UP or DOWN key. During this action the display will blink, indicating that the manual mode is activated. After powering up again, the unit will revert back to normal mode.

Back to Factory Setting

After start up. (Power is on)

Entering this value in parameter 0 will store the calibrated factory data into the working parameters. (Default calibration data is used)



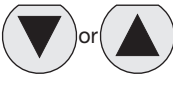

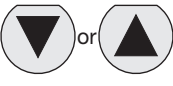







Parameter Number 0 – Reset Back to Factory Settings

| Step | 1 | 2 | 3 | 4 | 5 | |
|---|--|--|--|---|--|--|
| Press  |  3-6 seconds |  |  |  |  | |
| Until Display Reads |  |  |  Flashing Decimal |  Flashing Decimal |  Flashing |  |
| Description | Accesses changeable parameters. | Accesses parameter no. 0. | Displays current parameter value. | Edits parameter. 3 = standard factory settings. If other than 3, use Up or Down Arrow and accept 3 | Accepts and saves new parameter setting. | Sequences to next parameter. |

Set Control Signal

The unit is factory set for 0-10 V control signal. If 4-20 mA control signal is required, change parameter 4.

Parameter Number 4 – Set Control Signal in Volts or Milliamps

| Step | 1 | 2 | 3 | 4 | 5 | |
|---|--|---|---|--|---|---|
| Press  |  3-6 seconds |  |  |  |  | |
| Until Display Reads |  |  |  Flashing Decimal |  Flashing Decimal |  Flashing |  |
| Description | Accesses changeable parameters. | Accesses parameter no. 4. | Displays current parameter value. 1 = V 0 = mA | Edits parameter. | Accepts and saves new parameter setting. | Sequences to next parameter. |

How to Videos at www.parker.com/pneu/propreg

General
 Dial
 Pilot
 Proportional
 Precision
 Water
K
 Regulator Products



For inventory, lead times, and kit lookup, visit www.pdnplu.com

Set Output Signal

Parameter 6 is used to set the type of output signal to your PLC.
This parameter is used as follows:

Output Signal option “0” = Digital Output – PNP

- Factory set at “0” Non Adjustable

Output Signal option “P” = Digital PNP or Analog 1-10V

- Factory set at “1” for Analog Signal
- Convert to Digital PNP by changing parameter to “0” setting



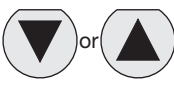

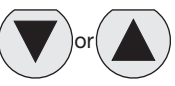







Output Signal option “N” = Digital NPN or Analog 1-10V

- Factory set at “1” Analog Signal
- Convert to Digital NPN by changing parameter to “0”

Output Signal option “M” = Analog 4-20 mA

- Factory set at “2” Non Adjustable

Parameter Number 6 – Set Output Signal

| Step | 1 | 2 | 3 | 4 | 5 | |
|---|--|---|---|---|---|---|
| Press  |  3-6 seconds |  |  |  |  | |
| Until Display Reads |  |  |  Flashing Decimal |  Flashing Decimal (Value 0, 1 or 2) |  Flashing |  |
| Description | Accesses changeable parameters. | Accesses parameter no. 6. | Displays current parameter value. 1 = m factory default for P3H with analog options | Edits parameter. 0 = digital (NPN or PNP) 1 = analog 0..10V 2 = analog 4..20 mA | Accepts and saves new parameter setting. | Sequences to next parameter. |



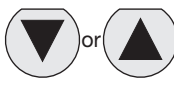

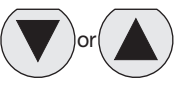







Adjust Span Analog Output Signal

Set value is a % of Full Analog range. As an example for a 0-10V output signal, the original factory setting of 100% will give you an adjustment of 0-10V. If you reset Parameter 8 to 50%, the new output range would be 0-5V or 50% of the full range.

In the event that the output signal is to low, in a certain application, you can adjust it by increasing Parameter 8 to a maximum value of 130% of scale.

Note that all values are nominal and that an actual measurement may be required to ensure signal strength.

Parameter Number 8 – Adjust Span Analog Output Signal

| Step | 1 | 2 | 3 | 4 | 5 | |
|---|--|---|--|---|---|---|
| Press  |  3-6 seconds |  |  |  |  | |
| Until Display Reads |  |  |  Flashing Decimal (For 2 bar versions value = 92) |  Flashing Decimal (Value between 0 and 130) |  Flashing |  |
| Description | Accesses changeable parameters. | Accesses parameter no. 8. | Displays current parameter value. | Edits parameter. | Accepts and saves new parameter setting and implements the new analog signal span. | Sequences to next parameter. |

How to Videos at www.parker.com/pneu/propreg



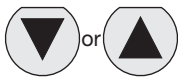

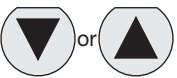









For inventory, lead times, and kit lookup, visit www.pdnplu.com

Adjust Digital Display

If necessary, adjustments can be made to the digital display when using an external pressure sensor.













Parameter Number 9 – Adjust Digital Display Value (Pressure Calibration)

| Step | 1 | 2 | 3 | 4 | 5 | |
|---|--|---|---|--|---|---|
| Press  |  3-6 seconds |  |  |  |  | |
| Until Display Reads |  |  |  Flashing Decimal |  Flashing Decimal |  Flashing |  |
| Description | Accesses changeable parameters. | Accesses parameter no. 9. | Displays current digital display | Use up or down arrows and accept to adjust the display value if using an external pressure sensor. | Accepts and saves new parameter setting. | Sequences to next parameter. |

Set Pressure Scale

Units with NPT port threads are supplied with a factory set psig pressure scale. Use parameter 14 to change scale to bar.

Parameter Number 14 – Set Pressure Scale in psig or bar

| Step | 1 | 2 | 3 | 4 | 5 | |
|---|--|---|---|--|---|---|
| Press  |  3-6 seconds |  |  |  |  | |
| Until Display Reads |  |  |  Flashing Decimal |  Flashing Decimal |  Flashing |  |
| Description | Accesses changeable parameters. | Accesses parameter no. 14. | Displays current parameter value. 1 = psig 0 = bar 2 = MPa | Edits parameter. | Accepts and saves new parameter setting. | Sequences to next parameter. |

How to Videos at www.parker.com/pneu/propreg



For inventory, lead times, and kit lookup, visit www.pdnplu.com



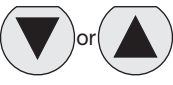

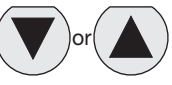


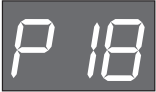



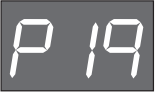
K
Regulator Products

General
Dial
Pilot
Proportional
Precision
Water

Preset Minimum Pressure

If there is a need for a pre-set Minimum pressure, use parameter 18. (Note: preset pressure is affected by % P19.)

Parameter Number 18 – Set Minimum Preset Pressure

| Step | 1 | 2 | 3 | 4 | 5 | |
|---|--|---|--|---|---|---|
| Press  |  3-6 seconds |  |  |  |  | |
| Until Display Reads |  |  |  Flashing Decimal |  Flashing Decimal (value between 0 and 200) |  Flashing |  |
| Description | Accesses changeable parameters. | Accesses parameter no. 18. | Displays current parameter value. Incremental value is: <u>2 bar unit:</u> x 2 mbar x % P19 <u>10 bar unit:</u> x 10 mbar x % P19 | Edits parameter. | Accepts and saves new parameter setting. | Sequences to next parameter. |

Set Pressure Correction



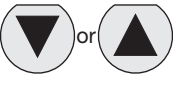

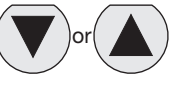


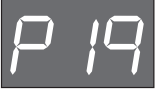




Pressure correction allows the user to set a Maximum pressure as a percentage of secondary pressure F.S.

Example: If F.S. is 10 bar, set parameter 19 to 50 for Maximum preset pressure of 5 bar.

Pressure correction also affects the Minimum preset pressure in parameter 18.

Example: If F.S. is 10 bar and parameter 18 is set to a value of 100 (1 bar), and parameter 19 is set to 50%, then the actual Minimum preset pressure seen is 0.5 bar.

Parameter Number 19 – Set Maximum Preset Pressure

| Step | 1 | 2 | 3 | 4 | 5 | |
|---|--|---|---|---|---|---|
| Press  |  3-6 seconds |  |  |  |  | |
| Until Display Reads |  |  |  Flashing Decimal |  Flashing Decimal (value between 0 and 100) |  Flashing |  |
| Description | Accesses changeable parameters. | Accesses parameter no. 19. | Displays current parameter value. Incremental value is: % of F.S. | Edits parameter. | Accepts and saves new parameter setting. | Sequences to next parameter. |

How to Videos at www.parker.com/pneu/propreg





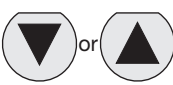

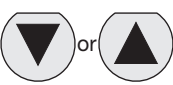







For inventory, lead times, and kit lookup, visit www.pdnplu.com

General
 Dial
 Pilot
 Proportional
 Precision
 Water
K
 Regulator Products

Behavior Control

The regulation speed of the pressure regulator can be modified by means of one parameter. (P 20)
The value in this parameter has a range from 0-5. A higher value indicates slower regulation speed, but will be more stable.

Parameter Number 20 – Set Behavior Control



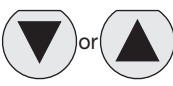

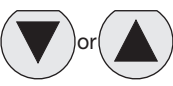







| Step | 1 | 2 | 3 | 4 | 5 | |
|---|--|---|---|--|---|---|
| Press  |  3-6 seconds |  |  |  |  | |
| Until Display Reads |  |  |  Flashing Decimal |  Flashing Decimal (value between 0 and 5) |  Flashing |  |
| Description | Accesses changeable parameters. | Accesses parameter no. 20. | Displays current parameter value. | Edits parameter 0 = custom set* 1 = fastest (narrow proportional band) 2 = fast 3 = normal 4 = slow 5 = slowest (proportional band is broad) | Accepts and saves new parameter setting. | Sequences to next parameter. |

* When the value 0 is entered, you are able to create your own custom settings true parameters 12, 13 and 21.

**Fine Settings
Set Proportional Band**

Proportional band is used for setting the reaction sensitivity of the regulator. The displayed value is X 10 mbar and has a range between 50 (0.5 bar) and 250 (2.5 bar).

Parameter Number 12 – Set Proportional Band (P20 Must be Set to 0)

| Step | 1 | 2 | 3 | 4 | 5 | |
|---|--|---|---|--|---|---|
| Press  |  3-6 seconds |  |  |  |  | |
| Until Display Reads |  |  |  Flashing Decimal |  Flashing Decimal (value between 50 and 250) |  Flashing |  |
| Description | Accesses changeable parameters. | Accesses parameter no. 12. | Displays current parameter value. Incremental value is: x 10 mbar | Edits parameter. | Accepts and saves new parameter setting. | Sequences to next parameter. |

How to Videos at www.parker.com/pneu/propreg



For inventory, lead times, and kit lookup, visit www.pdnplu.com



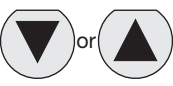

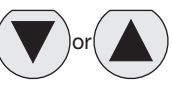



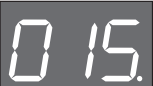



K70

Parker Hannifin Corporation
Pneumatic Division
Richland, Michigan
www.parker.com/pneumatics

Set Deadband



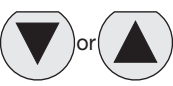

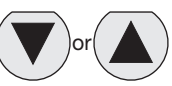







Deadband is the Minimum limit of accuracy at which the regulator is set for normal operation. The displayed value is X 10 mbar and has a range between 4 (40 mbar) and 40 (400 mbar).

Parameter Number 13 – Set Deadband (P20 Must be Set to 0)



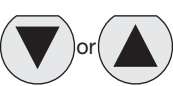




| Step | 1 | 2 | 3 | 4 | 5 | |
|---|--|---|---|--|---|---|
| Press  |  3-6 seconds |  |  |  |  | |
| Until Display Reads |  |  |  Flashing Decimal |  Flashing Decimal (value between 4 and 40) |  Flashing |  |
| Description | Accesses changeable parameters. | Accesses parameter no. 13. | Displays current parameter value. Incremental value is x 10 mbar | Edits parameter. | Accepts and saves new parameter setting. | Sequences to next parameter. |

Proportional Effect

Parameter Number 21 – Set Proportional Effect (P20 Must be Set to 0)

| Step | 1 | 2 | 3 | 4 | 5 | |
|--|---|---|---|---|---|---|
| Press  |  3-6 seconds |  |  |  |  | |
| Until Display Reads |  |  |  Flashing Decimal |  Flashing Decimal (value between 5 and 100) |  Flashing |  |
| Description | Accesses changeable parameters. | Accesses parameter no. 21. | Displays current parameter value. | Edits parameter. 5 = fastest regulation 100 = slowest regulation. | Accepts and saves new parameter setting. | Sequences to next parameter. |

Parameter Number 39 – Displays Current Software Version

| Step | 1 | 2 | 3 | |
|---|--|---|---|--|
| Press  |  3-6 seconds |  |  | |
| Until Display Reads |  |  |  Flashing Decimal | |
| Description | Accesses changeable parameters. | Accesses parameter no. 39. | Displays current parameter value. XXX = current software version | |

How to Videos at www.parker.com/pneu/propreg



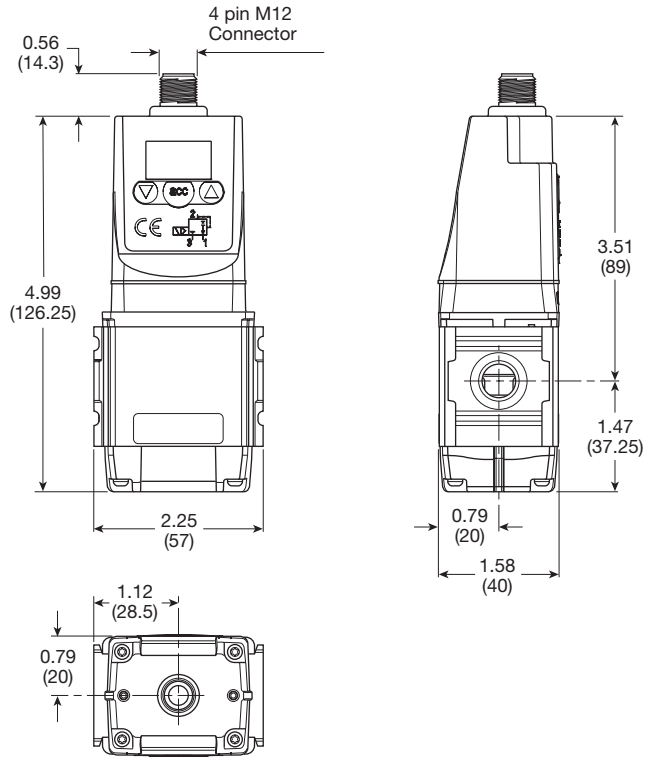
For inventory, lead times, and kit lookup, visit www.pdnplu.com

General
 Dial
 Pilot
 Proportional
 Precision
 Water
K
 Regulator Products

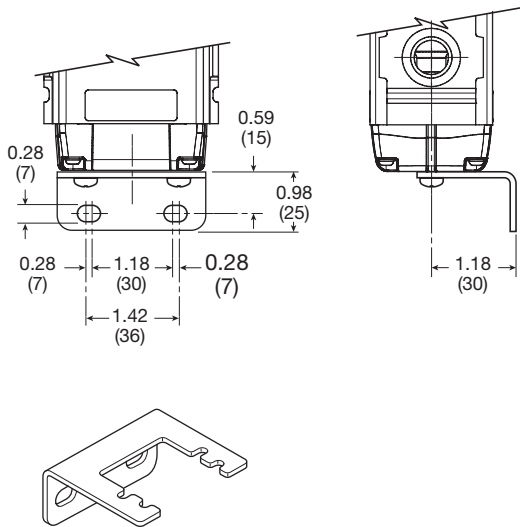
| |
|--------------------------------|
| General |
| Dial |
| Pilot |
| Proportional |
| Precision |
| Water |
| K Regulator Products |

P31P

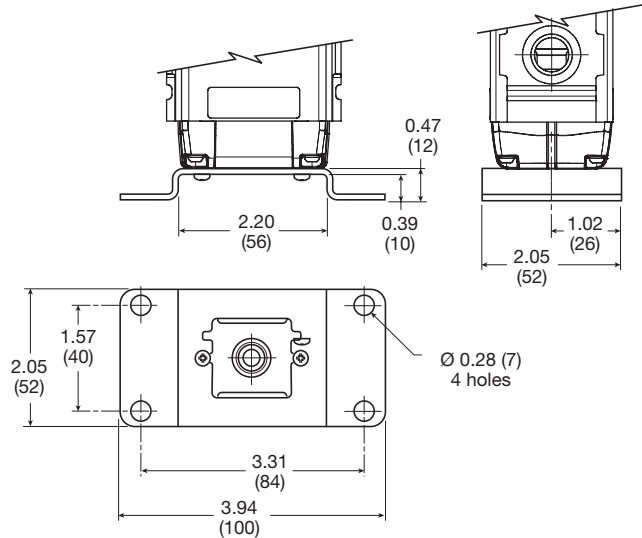
Dimensions inches (mm)



**L-Bracket
P3HKA00ML**



**Foot Bracket
P3HKA00MC**



Cables

| Description | Part Number |
|--|---------------------|
| 2 mtr. cable with moulded straight M12x1 connector | CB-M12-4P-2M |

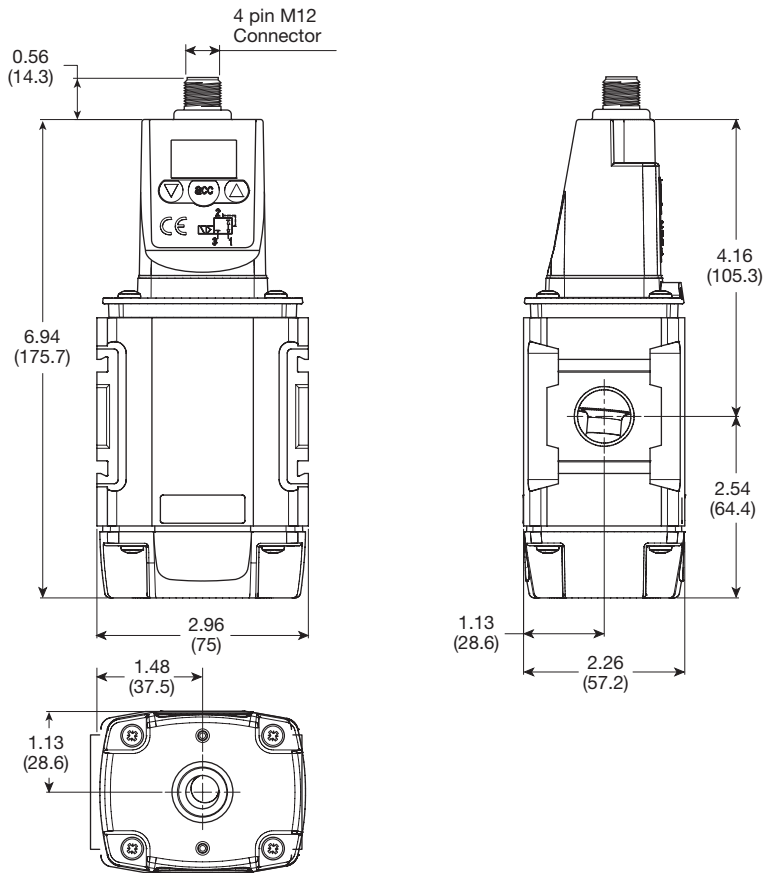
Most popular.



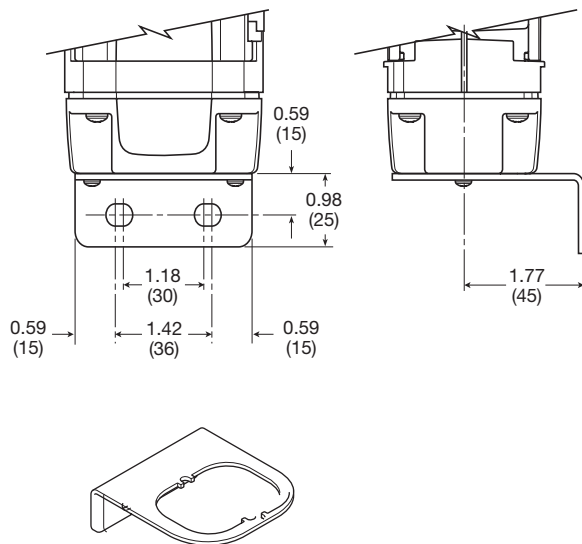
For inventory, lead times, and kit lookup, visit www.pdnplu.com

P32P

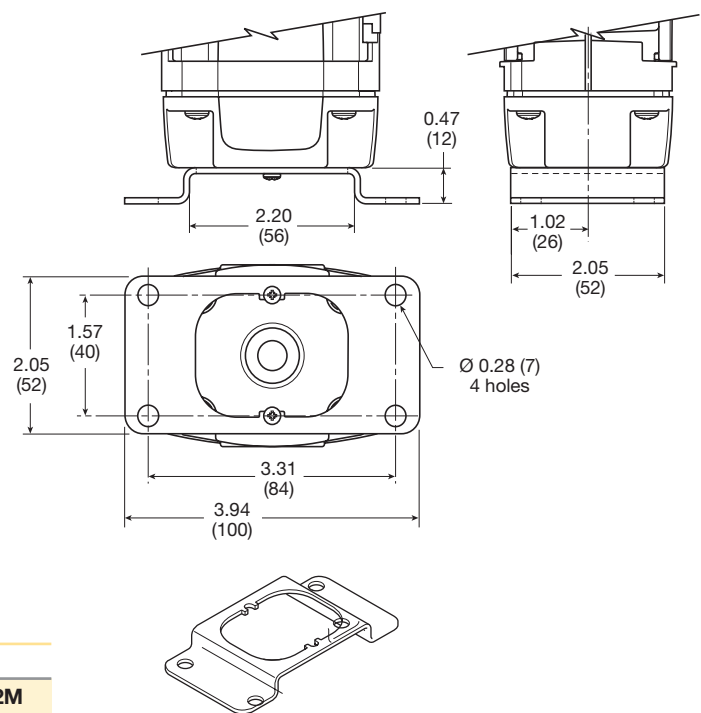
Dimensions inches (mm)



**L-Bracket
P3KKA00ML**



**Foot Bracket
P3KKA00MC**



Cables

| Description | Part Number |
|--|---------------------|
| 2 mtr. cable with moulded straight M12x1 connector | CB-M12-4P-2M |

Most popular.



For inventory, lead times, and kit lookup, visit www.pdnplu.com

General

Dial

Pilot

Proportional

Precision

Water

K

Regulator Products

PAR™-15 Programmable Air Regulating Valve

PAR™-15 is a unique 3-Way, programmable, air regulating valve that functions as a precise, high-flow, multi-purpose regulator.

Signals from a computer, programmable controllers or from simple electrical switches, fed to the valve's four solenoids, control the division of a single inlet pressure into any one of fifteen equally spaced output pressures.

The valve's response is instant and repeatable, reducing the need for expensive feedback controls.

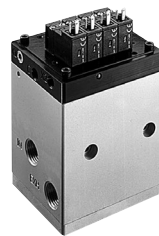
It goes far beyond the capabilities of conventional controls by providing a limitless range of application possibilities including cylinder pressure/stroke control, clamping, retracting, approach, flow, and impact.

PAR™-15 eliminates shock absorbers, increases tool life, saves air, and reduces workpiece damage.

- Full flow capacity for direct air device operation.
- Quick, full flow exhaust.
- Instantly repeatable response.
- Air saving design, close crossover, non-constant bleed.
- Wide range of discrete output pressures.
- Normally closed or normally open operators.
- Compatible with computers and programmable controllers with digital solid state relay outputs.
- Meets NEMA 4 standard (6-Pin option only).

Life Expectancy

Normal multi-million cycle life expectancy of these valves is based on the use of properly filtered air at room temperature.



No Enclosure



NEMA 4 Enclosure –
6-Pin Connector

Operating information

| | |
|-------------------------------|-----------------------------|
| Pressure range: | |
| Inlet (max) | 150 psig (1035 kPa) |
| Output (min) | 6 psig (41 kPa) |
| Temperature range (ambient)†: | 32°F to 140°F (0°C to 60°C) |
| Voltage range: | +10% to -10% of rating |
| Flow capacity: | |
| Inlet to outlet | 275 scfm (129.8 dm³/s, ANR) |
| Outlet to exhaust | 225 scfm (106.2 dm³/s, ANR) |
| Output response: | 20 milliseconds |
| Weight: | |
| Without enclosure | 6.3 lb (2.9 kg) |
| With 6-pin & cord | 8.0 lb (3.6 kg) |

⚠ † Caution: If it is possible that the ambient temperature may fall below freezing, the media must be moisture free to prevent internal damage or unpredictable behavior.

Solenoid Operated – Normally Closed – Internal Pilot*

| Port Size | | | No Enclosure | NEMA 4 Enclosure - 6-Pin Connector | |
|-----------|-------|--------------------|-------------------|------------------------------------|-------------------|
| Body | Pilot | Voltage/Cycle | | Quadrant 2 † | Quadrant 4 † |
| 1/2" | 1/8" | 24V/60Hz | W21540172B | W21542172B | W21544172B |
| 1/2" | 1/8" | 12VDC | W21540175B | W21542175B | W21544175B |
| 1/2" | 1/8" | 24VDC | W21540179B | W21542179B | W21544179B |
| 1/2" | 1/8" | 110/120V / 50/60Hz | W21540183B | W21542183B | W21544183B |

* Normally open and external pilot options also available.

† Theoretically Quadrant 1 is defined as the 6-Pin connector on the same face with the inlet port. Looking from the top down and rotating the enclosure clockwise 90° you get Quadrant 2 or 270° for Quadrant 4.

Material Specifications

| | |
|-----------------------------|-----------------|
| Body, Bottom and Top Plates | Aluminum |
| Divider | Aluminum |
| Piston | Acetal |
| Poppet | Aluminum |
| Poppet guide | Aluminum |
| Poppet seal | Fluorocarbon |
| Seals | Nitrile |
| Spring | Stainless steel |

☐ Most popular.

Lubrication

Although the valve does not require lubrication for a normal service life, use of SAE 10 mineral base oil is recommended to extend component life. This should be supplied using a 1/2 inch full flow lubricator located upstream of the valve inlet port.

CAUTION:
DO NOT USE SYNTHETIC, RECONSTITUTED, OR OILS WITH AN ALCOHOL CONTENT.

Wiring

Follow all national and local electrical codes.

General

Dial

Pilot

Proportional

Precision

Water

K

Regulator Products



For inventory, lead times, and kit lookup, visit www.pdnplu.com

Ordering Information:

| | | | | | | | | |
|--|------------|----------|----------|----------|---|--|---|----------|
| Basic Series PAR™-15 Version 2.0 W21 | W21 | 5 | 4 | 2 | 1 | 83 | L | B |
| Actuation Solenoid Operated 5 | | | | | | | Engineering Level B Current | |
| Port Size / Thread Type 1/2" NPT 4 | | | | | | Voltage 72 24V/60 Hz 75 12VDC 79 24VDC 83 120/110V 60/50 Hz | Label / Temp Option Blank Standard Temperatures | |
| | | | | | Solenoid Type / Pilot Source 1 Normally Closed / Internal Pilot 3 Normally Closed / External Pilot 5 Normally Open / Internal Pilot 7 Normally Open / External Pilot | | | |

| Enclosure / Connector Quadrant | | | |
|--|----|---|----|
| No Enclosure | 0 | Nema 4 Enclosure with 6-pin Micro Connector at Quadrant 4, Cord Included | F |
| Metal Enclosure with 7/8" Conduit Opening at Quadrant 2 | 1 | Nema 4 Enclosure with 6-pin Micro Connector at Quadrant 2, No Cord | G |
| Nema 4 Enclosure with 6-pin Mini Connector Quadrant 2, Cord Included | 2 | Nema 4 Enclosure with 6-pin Micro Connector at Quadrant 4, No Cord | H |
| Metal Enclosure with 7/8" Conduit Opening at Quadrant 4 | 3 | Lighted Enclosure with 6-pin Micro Connector at Quadrant 2, Cord Included | K* |
| Nema 4 Enclosure with 6-pin Mini Connector Quadrant 4, Cord Included | 4 | Lighted Enclosure with 6-pin Micro Connector at Quadrant 2, No Cord | L* |
| Nema 4 Enclosure with 6-pin Mini Connector Quadrant 2, No Cord | 5 | Lighted Enclosure with 6-pin Mini Connector at Quadrant 4, Cord Included | M* |
| Nema 4 Enclosure with 6-pin Mini Connector Quadrant 4, No Cord | 6 | Lighted Enclosure with 6-pin Mini Connector at Quadrant 4, No Cord | N* |
| Lighted Enclosure with 6-pin Mini Connector at Quadrant 2, Cord Included | B* | Lighted Enclosure with 6-pin Micro Connector at Quadrant 4, Cord Included | P* |
| Lighted Enclosure with 6-pin Mini Connector at Quadrant 2, No Cord | C* | Lighted Enclosure with 6-pin Micro Connector at Quadrant 4, No Cord | Q* |
| Nema 4 Enclosure with 6-pin Micro Connector at Quadrant 2, Cord Included | E | | |

Theoretically, Quadrant 1 is defined as the 6-Pin Connector on the same face with the inlet port. Looking from the top down and rotating the enclosure clockwise 90° you get Quadrant 2 or 270° for Quadrant 4.

* Available in 24VDC and 120VAC Only. Not NEMA 4 rated.

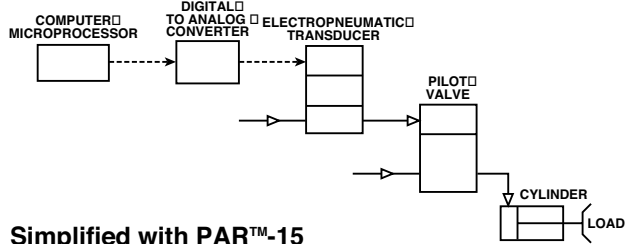
General
 Dial
 Pilot
 Proportional
 Precision
 Water
 Regulator Products

Electropneumatic System

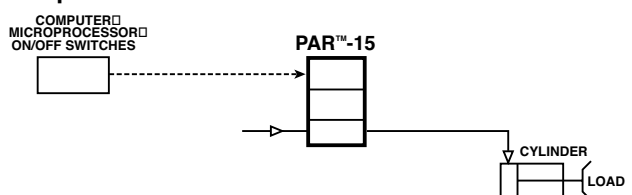
A conventional system is usually composed by several electronic and pneumatic components as shown on the schematic. The cylinder which is moving a load is operated with a pilot valve which receives the instructions from an electropneumatic transducer. The transducer converts electronic signals to pneumatic signals. These electronic signals are usually of an analog type, but controllers/computer microprocessors send digital signals as outputs, therefore, a digital to analog signal converter is required.

The simplified schematic with the PARTM-15 is reduced to fewer components since the PARTM-15 takes the place of the digital to analog converter, the electropneumatic transducer, and the pilot valve. The benefits being fewer components, and less maintenance and downtime.

Conventional

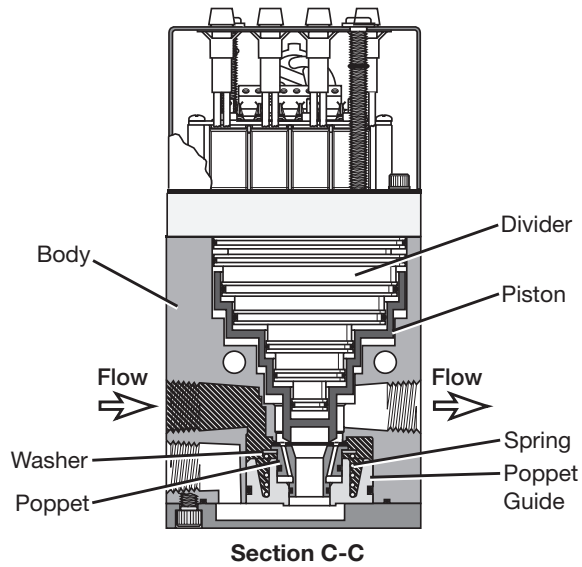
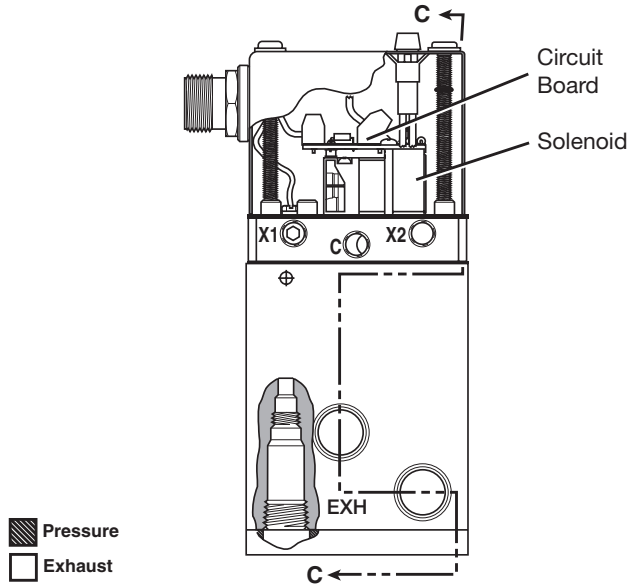


Simplified with PAR™-15



For inventory, lead times, and kit lookup, visit www.pdnplu.com

| |
|--------------------|
| General |
| Dial |
| Pilot |
| Proportional |
| Precision |
| Water |
| K |
| Regulator Products |



Application

Pneumatic systems operating under multiple pressures, and requiring almost instantaneous pressure changes are good application cases for the PAR™-15. Usually the more pressures needed for a particular operation, the easier it is to justify the valve, since it will take the place of several pneumatic regulators and selector valves.

Among the most common applications are brakes and clutches, painting, printing feeds and tension, robotics, and spot welding.

Other Applications:

- Air Chucks
- Air Cylinder Control
- Air Winches
- Blow Molding Control
- Contact Force Control
- Conveyor Control
- Die Cushioning
- Dynamic Braking
- Fuel Control
- Hopper Control
- Robot Gripper Control
- Valve Positioning
- Variable Clamping
- Variable Pressure Processing
- Torque Control
- Wire Tensioning

Operation

Four solenoids are controlled by on/off signals that selectively divide any input pressure into any one of 15 equally spaced pressures plus zero. See the truth table.

Full flow exhaust permits instant reduction to any lower selected pressure or zero. High relief capacity quickly vents downstream overpressure. The output pressure will begin to change within 20 milliseconds after a change in the electrical input to one or more of the solenoids. However, the time which elapses until the output pressure reaches the new level will depend upon the volume of air, the size of the connection from the PAR™-15 valve and the magnitude of the pressure change.

A small regulator may be used to feed the external pilot port X1 on units with normally closed solenoid operators or X2 on units with normally open solenoid operators. The PAR™-15 valve will then divide this pressure independent of mainline supply pressure so long as the pilot regulator is set to a pressure below the mainline supply pressure. A regulated external supply will eliminate the effects of fluctuating mainline pressures. (NOTE: A regulator placed upstream of the inlet also eliminates the effects of fluctuating pressures).

The PAR™-15 is available with two types of output pressure regulation: increasing output and decreasing output. In the increasing output pressure regulation type, normally closed solenoid operators are used to divide the input pressure into 15 equal steps, ranging from 0 PSIG (all solenoid operators de-energized) to full line pressure (all solenoid operators energized). With the decreasing output pressure regulation type, normally open solenoid operators are used to divide the input pressure into 15 equal steps, but starting with full line pressure (all solenoid operators de-energized) and ending with 0 PSIG (all solenoid operators energized).



For inventory, lead times, and kit lookup, visit www.pdnplu.com

Truth Table

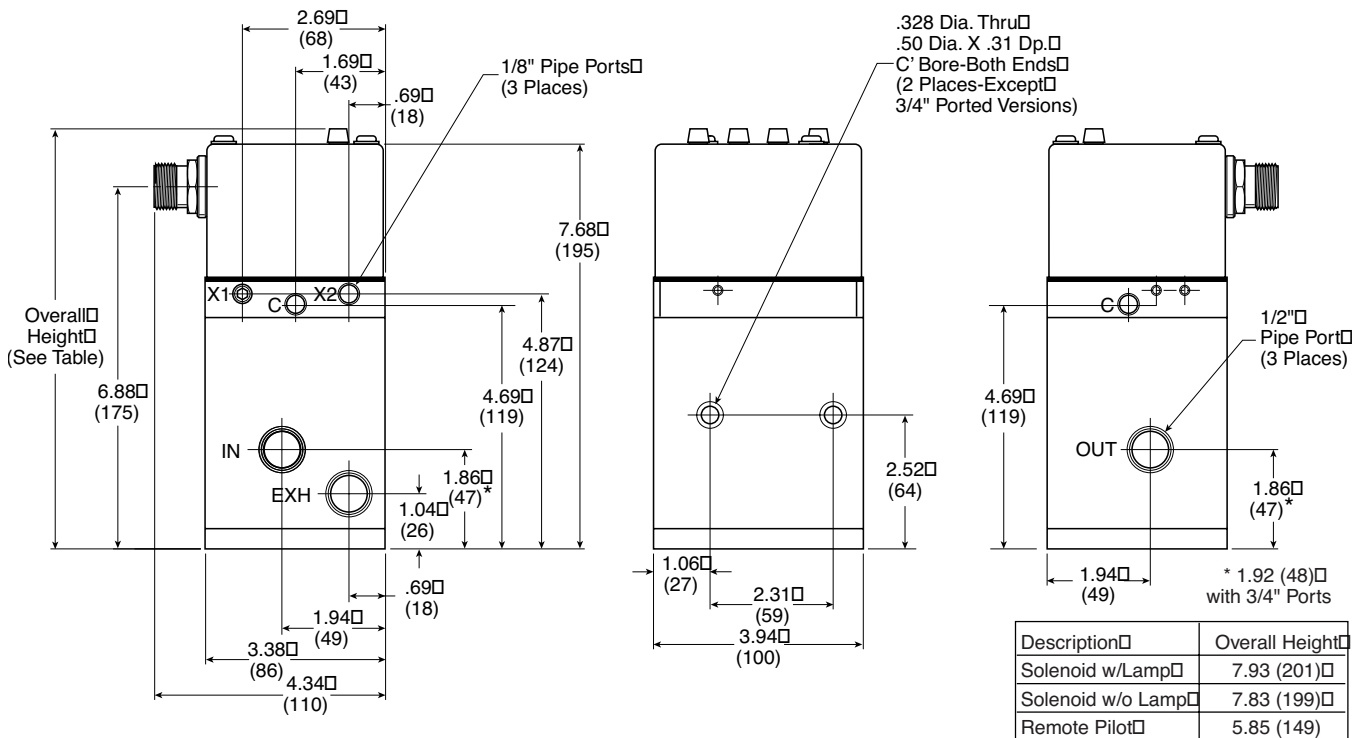
| Normally Closed Valves / Solenoids | Normally Open Valves / Solenoids | | PSIG Output@ 75 PSIG Inlet ^{††} | PSIG Output@ 90 PSIG Inlet |
|------------------------------------|------------------------------------|------------------------------|--|----------------------------|
| Binary Input * 8 4 2 1 | Binary Input * 8 4 2 1 | | | |
| Pin Number [†] 5 3 2 1 | Pin Number [†] 5 3 2 1 | Proportion of Inlet Pressure | | |
| 0 0 0 0 | 1 1 1 1 | 0 | 0 | 0 |
| 0 0 0 1 | 1 1 1 0 | 1/15 | 5 | 6 |
| 0 0 1 0 | 1 1 0 1 | 2/15 | 10 | 12 |
| 0 0 1 1 | 1 1 0 0 | 3/15 | 15 | 18 |
| 0 1 0 0 | 1 0 1 1 | 4/15 | 20 | 24 |
| 0 1 0 1 | 1 0 1 0 | 5/15 | 25 | 30 |
| 0 1 1 0 | 1 0 0 1 | 6/15 | 30 | 36 |
| 0 1 1 1 | 1 0 0 0 | 7/15 | 35 | 42 |
| 1 0 0 0 | 0 1 1 1 | 8/15 | 40 | 48 |
| 1 0 0 1 | 0 1 1 0 | 9/15 | 45 | 54 |
| 1 0 1 0 | 0 1 0 1 | 10/15 | 50 | 60 |
| 1 0 1 1 | 0 1 0 0 | 11/15 | 55 | 66 |
| 1 1 0 0 | 0 0 1 1 | 12/15 | 60 | 72 |
| 1 1 0 1 | 0 0 1 0 | 13/15 | 65 | 78 |
| 1 1 1 0 | 0 0 0 1 | 14/15 | 70 | 84 |
| 1 1 1 1 | 0 0 0 0 | 15/15 | 75 | 90 |

Table above illustrates available output pressures for inlet pressures of 75 PSIG and 90 PSIG. Inlet pressure may be any value between 15 and 150 PSIG. Output pressure increment will be 1/15 of inlet pressure.

* 0 = Voltage "OFF"
1 = Voltage "ON"

† Available only on units with 6-Pin connector.

†† Shaded output pressures shown are theoretical and are below the minimum operating range of the valve and should not be used. Please refer to the Engineering Specifications for minimum output.



For inventory, lead times, and kit lookup, visit www.pdnplu.com

K77

Parker Hannifin Corporation
Pneumatic Division
Richland, Michigan
www.parker.com/pneumatics

General

Dial

Pilot

Proportional

Precision

Water

K

Regulator Products

Programmable Air Regulating Valve

Air Preparation Products Regulator Products

DO NOT PLUG THE 1/8" PORTS MARKED C AND X2 ON THE VALVE UPSTREAM AND X2 ON THE VALVE DOWNSTREAM.

Operation of the valves is the same as mentioned previously under the Operation section. See Cascading Truth Table for the proper input signal to each solenoid, and the resulting proportion of inlet pressure for an output pressure.

A formula can be used to calculate the output pressure of the valve downstream.

$$\text{OUTPUT PRESSURE (PSIG)} = \frac{\text{LINE PRESSURE (PSIG)}}{15} \times \left(\frac{\text{BINARY INPUT UPSTREAM VALVE}}{16} + \frac{\text{BINARY INPUT DOWNSTREAM VALVE}}{\text{VALVE}} \right)$$

Where:

LINE PRESSURE is the supply pressure to both valves and it must be equal.

BINARY INPUT UPSTREAM VALVE is the binary number, a number from 0 to 15 depending on which solenoids are energized (normally closed solenoids) or de-energized (normally open solenoids) on the valve upstream.

BINARY INPUT DOWNSTREAM VALVE is the binary number, a number from 0 to 15 depending on which solenoids are energized (normally closed solenoids) or de-energized (normally open solenoids) on the valve downstream.

EXAMPLE:

Assume the line pressure is 120 PSIG, the valve upstream has inputs 1 & 2 energized, and the valve downstream has inputs 1 & 8 energized. Also, assume normally closed solenoids. What is the output pressure of the valve downstream?

SOLUTION:

$$\text{BINARY INPUT VALVE UPSTREAM} = 1 + 2 = 3$$

$$\text{BINARY INPUT VALVE DOWNSTREAM} = 1 + 8 = 9$$

$$\text{OUTPUT PRESSURE} = \frac{120}{15} \times \left(\frac{3}{16} + 9 \right) = 8 \times 9.1875 = 73.5 \text{ PSIG}$$

Narrow Band Control

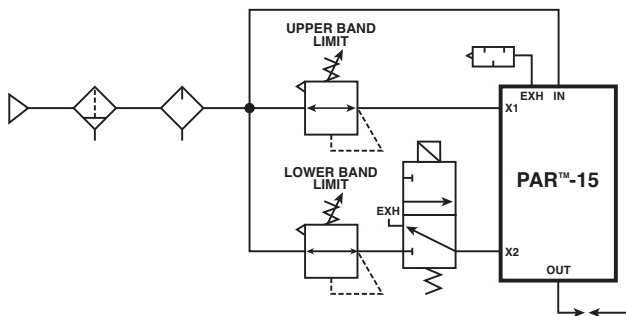
The PAR™-15 can also be used to provide a narrower band of output pressures with the lowest selected pressure greater than zero.

EXAMPLE:

Assume valve with normally closed solenoids. Customer desires to divide a range from 25 PSIG to 100 PSIG into 15 increments of 5 PSIG each. This is done by applying 100 PSIG to the external pilot supply port X1 and 25 PSIG to the pilot exhaust port X2.

Two 1/8 inch relieving regulators are required. The addition of one 3-Way normally closed solenoid operated valve allows the additional selection of 0 PSIG. These are connected as shown in the diagram. The relieving regulators set the upper and lower band limits. With a normally closed PAR™-15 valve, zero output pressure may be selected by simultaneously de-energizing the 3-Way valve and the PAR™-15 valve solenoids. With a normally open PAR™-15 valve, zero output pressure may be selected by simultaneously de-energizing the 3-Way valve and energizing the PAR™-15 valve solenoids.

Narrow Band Control Diagram



Note: For valves with normally open solenoids, reverse the X1 and X2 connections.

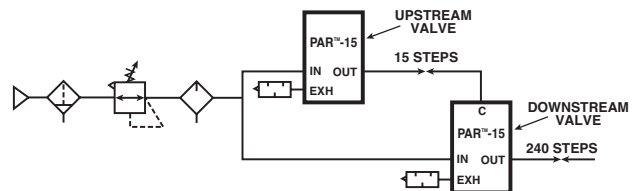
Cascading

Two PAR™-15's can also be used in conjunction to provide 240 steps (versus 15 steps from one valve), therefore more output pressures. See diagram.

Connect the outlet port marked OUT of the valve upstream to the 1/8" port marked C of the valve downstream. A port/pipe reducer(s) must be used to accomplish this task. If desired, a pressure gauge can be installed between these two points. A gauge isolator should be used to protect the gauge from pulsating pressures.

Connect the outlet port marked OUT of the valve downstream to the supply side of the system requiring multiple pressures. If desired, a pressure gauge can be installed downstream of the outlet port. A gauge isolator should be used to protect the gauge from pulsating pressures.

Cascade Diagram



Truth Table

| | Normally Closed Solenoids | | Normally Open Solenoids | | | | | |
|-----|---------------------------|-----------------|--------------------------|-----------------|-----------------------------------|-----------------|-----------------------------------|------------------------------------|
| | Down-Step Valve | Up-stream Valve | Down-stream Valve | Up-stream Valve | Down-stream Valve | Up-stream Valve | | |
| | Binary Input* 8 4 2 1 | | Binary Input* 8 4 2 1 | | Proportion of Inlet Pressure + | | PSIG Output @ 60 PSIG Inlet †† | PSIG Output @ 120 PSIG Inlet †† |
| | Pin Number † 5 3 2 1 | | Pin Number † 5 3 2 1 | | | | | |
| 0 | 0000 | 0000 | 1111 | 1111 | 0 | 0 | 0.00 | 0.00 |
| 1 | 0000 | 0001 | 1111 | 1110 | 0 | 1/240 | 0.25 | 0.50 |
| 2 | 0000 | 0010 | 1111 | 1101 | 0 | 2/240 | 0.50 | 1.00 |
| 3 | 0000 | 0011 | 1111 | 1100 | 0 | 3/240 | 0.75 | 1.50 |
| 4 | 0000 | 0100 | 1111 | 1011 | 0 | 4/240 | 1.00 | 2.00 |
| 5 | 0000 | 0101 | 1111 | 1010 | 0 | 5/240 | 1.25 | 2.50 |
| 6 | 0000 | 0110 | 1111 | 1001 | 0 | 6/240 | 1.50 | 3.00 |
| 7 | 0000 | 0111 | 1111 | 1000 | 0 | 7/240 | 1.75 | 3.50 |
| 8 | 0000 | 1000 | 1111 | 0111 | 0 | 8/240 | 2.00 | 4.00 |
| 9 | 0000 | 1001 | 1111 | 0110 | 0 | 9/240 | 2.25 | 4.50 |
| 10 | 0000 | 1010 | 1111 | 0101 | 0 | 10/240 | 2.50 | 5.00 |
| 11 | 0000 | 1011 | 1111 | 0100 | 0 | 11/240 | 2.75 | 5.50 |
| 12 | 0000 | 1100 | 1111 | 0011 | 0 | 12/240 | 3.00 | 6.00 |
| 13 | 0000 | 1101 | 1111 | 0010 | 0 | 13/240 | 3.25 | 6.50 |
| 14 | 0000 | 1110 | 1111 | 0001 | 0 | 14/240 | 3.50 | 7.00 |
| 15 | 0000 | 1111 | 1111 | 0000 | 0 | 15/240 | 3.75 | 7.50 |
| 16 | 0001 | 0000 | 1110 | 1111 | 1/15 | 0 | 4.00 | 8.00 |
| 17 | 0001 | 0001 | 1110 | 1110 | 1/15 | 1/240 | 4.25 | 8.50 |
| 18 | 0001 | 0010 | 1110 | 1101 | 1/15 | 2/240 | 4.50 | 9.00 |
| 19 | 0001 | 0011 | 1110 | 1100 | 1/15 | 3/240 | 4.75 | 9.50 |
| 20 | 0001 | 0100 | 1110 | 1011 | 1/15 | 4/240 | 5.00 | 10.00 |
| 21 | 0001 | 0101 | 1110 | 1010 | 1/15 | 5/240 | 5.25 | 10.50 |
| 22 | 0001 | 0110 | 1110 | 1001 | 1/15 | 6/240 | 5.50 | 11.00 |
| 23 | 0001 | 0111 | 1110 | 1000 | 1/15 | 7/240 | 5.75 | 11.50 |
| 24 | 0001 | 1000 | 0010 | 0111 | 13/15 | 0 | 53.00 | 106.00 |
| 212 | 0000 | 1111 | 0010 | 1011 | 13/15 | 4/240 | 53.00 | 106.00 |
| 213 | 0000 | 0000 | 0010 | 1010 | 13/15 | 5/240 | 53.25 | 106.50 |
| 214 | 0000 | 0000 | 0010 | 1001 | 13/15 | 6/240 | 53.50 | 107.00 |
| 215 | 0000 | 0000 | 0010 | 1000 | 13/15 | 7/240 | 53.75 | 107.50 |
| 216 | 0000 | 0000 | 0010 | 0111 | 13/15 | 8/240 | 54.00 | 108.00 |
| 217 | 0000 | 0000 | 0010 | 0110 | 13/15 | 9/240 | 54.25 | 108.50 |
| 218 | 0000 | 0000 | 0010 | 0101 | 13/15 | 10/240 | 54.50 | 109.00 |
| 219 | 0000 | 0000 | 0010 | 0100 | 0 | 11/240 | 54.75 | 109.50 |
| 220 | 0000 | 0000 | 0001 | 1011 | 0 | 12/240 | 55.00 | 110.00 |
| 221 | 1110 | 0110 | 0001 | 1010 | 14/15 | 0 | 57.00 | 114.00 |
| 231 | 1110 | 0111 | 0001 | 1001 | 14/15 | 7/240 | 57.75 | 115.50 |
| 232 | 1110 | 1000 | 0001 | 1000 | 14/15 | 8/240 | 58.00 | 116.00 |
| 233 | 1110 | 1001 | 0001 | 0111 | 14/15 | 9/240 | 58.25 | 116.50 |
| 234 | 1110 | 1010 | 0001 | 0110 | 14/15 | 10/240 | 58.50 | 117.00 |
| 235 | 1110 | 1011 | 0001 | 0101 | 14/15 | 11/240 | 58.75 | 117.50 |
| 236 | 1110 | 1100 | 0001 | 0100 | 14/15 | 12/240 | 59.00 | 118.00 |
| 237 | 1110 | 1101 | 0001 | 0010 | 14/15 | 13/240 | 59.25 | 118.50 |
| 238 | 1110 | 1110 | 0001 | 0001 | 14/15 | 14/240 | 59.50 | 119.00 |
| 239 | 1110 | 1111 | 0001 | 0000 | 14/15 | 15/240 | 59.75 | 119.50 |
| 240 | 1111 | 0000 | 0000 | 1111 | 15/15 | 0 | 60.00 | 120.00 |

Table above illustrates available output pressures for inlet pressures of 75 PSIG and 90 PSIG. Inlet pressure may be any value between 15 and 150 PSIG. Output Pressure increment will be 1/15 of inlet pressure.

* 0 = Voltage "OFF"
1 = Voltage "ON"

† Available only on units with 6-Pin connector.

†† Shaded output pressures shown are theoretical and are below the minimum operating range of the valve and should not be used. Please refer to the Engineering Specifications for minimum output.

Note: Full table appears in instruction sheet enclosed with the product.

General

Dial

Pilot

Proportional

Precision

Water

K

Regulator Products



For inventory, lead times, and kit lookup, visit www.pdnplu.com

K79

Parker Hannifin Corporation
Pneumatic Division
Richland, Michigan
www.parker.com/pneumatics

Programmable Air Regulating Valve

Air Preparation Products Regulator Products

General

Solenoid Kits & Electrical Data

Class F Solenoids

| Voltage / Cycles | Solenoid Type* | Power Consumption (watts) | Holding Current (AMPS) | Part Number |
|------------------|----------------|---------------------------|------------------------|-------------------|
| 12VDC | NC | 1.2W | 0.1 | PS2982B45P |
| 24VDC | NC | 1.2W | 0.05 | PS2982B49P |
| 120V/60Hz | NC | 1.6VA | 0.013 | PS2982B53P |
| 24V/60Hz | NC | 1.6VA | 0.066 | PS2982B42P |
| 24V/60Hz | NO | 2.4VA | 0.1 | PS3202B42P |
| 12VDC | NO | 1.8W | 0.15 | PS3202B45P |
| 24VDC | NO | 1.8W | 0.075 | PS3202B49P |
| 120V/60Hz | NO | 2.4VA | 0.02 | PS3202B53P |

* NC = Normally Closed
NO = Normally Open

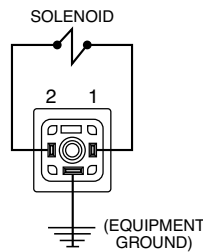
Dial

Pilot

Units with No Enclosure

Connect input and common signals to each one of the solenoids marked with the binary inputs 1, 2, 4 and 8, using the 3-Pin female connector kits shown in the catalog. Follow the installation instructions included with the 3-Pin female connector kits for the proper installation.

If you elect not to use the 3-Pin female connector kits, you may use three female spade connectors per solenoid and connect the wires as shown on the figure.



Proportional

Precision

Units with Enclosure and Without 6-Pin Receptacle

Connect input and common signals to the terminal block on the circuit board labelled TB1. Connect each solenoid input (1, 2, 4, & 8) to the respective label on the circuit board. Connect each common to the input labelled C on the circuit board.

Water

K

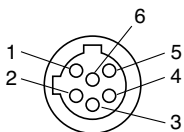
Units with Enclosure and 6-Pin Micro Receptacle

These units use the following brand names for 6-Pin micro connectors:

| Brand name | Receptacle | Connector w/ 6 foot cord |
|---------------|---------------|--------------------------|
| Brad Harrison | 7R6006A19A120 | 706000D02F060 |
| Joy | 5000127-41 | 5000127-2 |

Connection is made as shown in the chart below.

| Pin | Wire color | Function |
|-----|------------|------------------|
| 1 | Red-White | Input 1 |
| 2 | Red | Input 2 |
| 3 | Green | Equipment Ground |
| 4 | Red-Yellow | Common |
| 5 | Red-Black | Input 8 |
| 6 | Red-Blue | Input 4 |



Micro

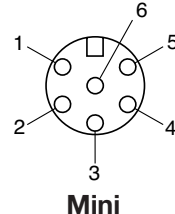
Units with Enclosure and 6-Pin Mini Connector

These units use either one of the following brand names for 6-Pin mini connectors:

| Brand Name | Receptacle | Connector w/ 6 Foot Cord |
|---------------|------------|--------------------------|
| Brad Harrison | 42605 | 42602 |
| Joy | X8987-2 | X8987-4 |

Connection is made as shown in the chart below.

| Pin | Wire color | Function |
|-----|------------|------------------|
| 1 | Orange | Input 1 |
| 2 | Blue | Input 2 |
| 3 | Black | Input 4 |
| 4 | White | Common |
| 5 | Red | Input 8 |
| 6 | Green | Equipment Ground |



Mini

Units with Enclosure, 6-Pin Connector and Indicator Lamps

Each indicator lamp signals when the corresponding solenoid operator is actuated. Lamps that fail to light may need to be replaced or a check made to see if a connection has become loose.

Follow the service kit instructions included with the repair kits for proper installation of replacement lamps.

For units with DC solenoids and indicator lamps red wire is (+) positive white wire is (-) negative.

Caution: DC solenoids with indicator lamps are polarity sensitive. Observe polarities indicated above.

Available Lamps

| Description | Part number |
|----------------------------------|-----------------|
| Lamp (120/60AC) with spring clip | K352428B |
| Lamp (24VDC) with spring clip | K352429B |

15mm 3-Pin DIN 43650C

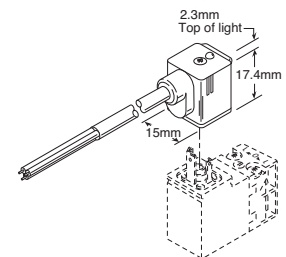
| Description | Connector | Connector with 6' (2m) Cord |
|---------------------|-------------------|-----------------------------|
| Unlighted | PS2932BP | PS2932JBP |
| Light - 12VAC or DC | PS294675BP | PS2946J75BP* |
| Light - 24VAC or DC | PS294679BP | PS2946J79BP* |
| Light - 110/120VAC | PS294683BP | PS2946J83BP* |

* LED with surge suppression.

Note: Max ø6.5mm cable size required for connector w/o 6' (2m) cord.

Engineering Data:

- Conductors: 2 Poles Plus Ground
- Cable Range (Connector Only): 4 to 6mm (0.16 to 0.24 Inch)
- Contact Spacing: 8mm



Service Kit

Piston, poppet assembly, all rubber seals and gaskets

K352413B



For inventory, lead times, and kit lookup, visit www.pdnplu.com

K80

Parker Hannifin Corporation
Pneumatic Division
Richland, Michigan
www.parker.com/pneumatics

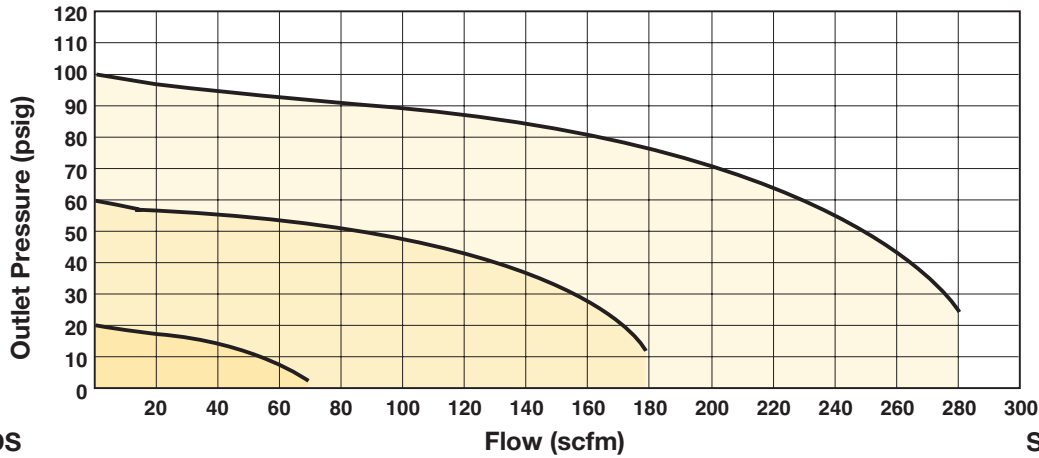
Flow Characteristics

INCREASING
OUTPUT
BINARY
INPUT

| | | | |
|---|---|---|---|
| 8 | 4 | 2 | 1 |
| 1 | 0 | 1 | 0 |
| 0 | 1 | 1 | 0 |
| 0 | 0 | 1 | 0 |

N.C.
SOLENOIDS

@ 150 PSIG INLET PRESSURE



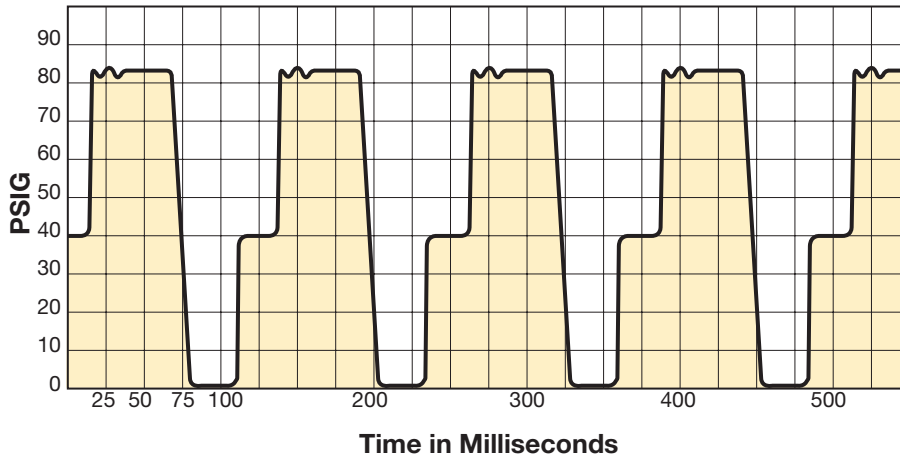
DECREASING
OUTPUT
BINARY
INPUT

| | | | |
|---|---|---|---|
| 8 | 4 | 2 | 1 |
| 0 | 1 | 0 | 1 |
| 1 | 0 | 0 | 1 |
| 1 | 1 | 0 | 1 |

N.O.
SOLENOIDS

Typical Time Response

PERFORMANCE CHARACTERISTICS



Actual test results show rapid response on a robot welding operation at a major U.S. automotive manufacturer.

NOTE: Although graph illustrates pressure dropping to 0 PSIG at the end of each cycle, the PAR™-15 valve can shift down to intermediate pressure steps, i.e. from 75 PSIG to 45 PSIG, without returning to 0 PSIG first.

Lucifer® EPP4 1/4", 1/2" & 1/2" HP



| Part number | Pipe | Max inlet pressure bar (PSIG) | Pressure range bar (PSIG) | Control signal |
|-----------------------|----------|----------------------------------|------------------------------|-------------------|
| P4CN2001C001 | 1/4 NPT | 1 to 12 (15 to 174) | 0 to 10 (0 to 145) | 0 to 10 V ** |
| P4CN4001C001 | 1/2 NPT | 1 to 12 (15 to 174) | 0 to 10 (0 to 145) | 0 to 10 V ** |
| P4CG4201D003*† | 1/2 BSPP | 1 to 21 (15 to 305) | 0 to 20 (0 to 290) | 0 to 10 V ** |

Notes: For thread type NPT use **N**, for BSPP use **G**.

* HP (High Pressure).

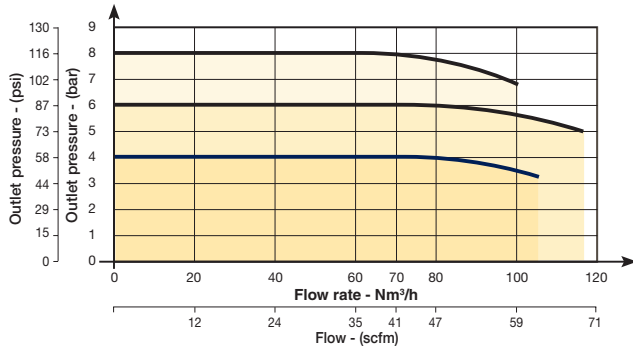
** 4-20mA available via Calys software.

† Only available in BSPP.

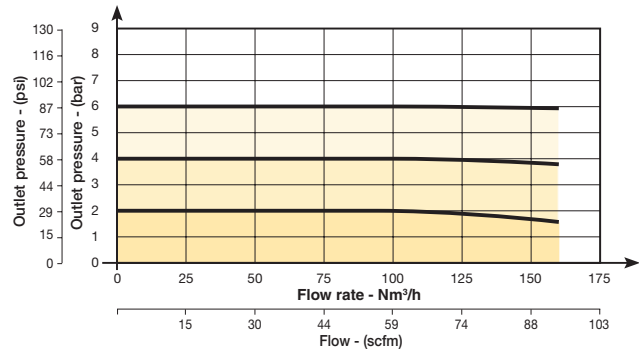
For other configurations not listed please consult factory. (Example: ATEX Series EX: II 3 D/G, O2 compatible, External Pilot, etc.)

Flow Curves

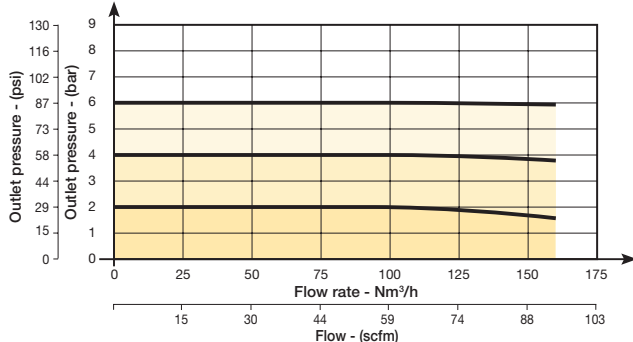
Flow Curve 1/4"



Flow Curve 1/2"



Flow Curve 1/2" HP



For inventory, lead times, and kit lookup, visit www.pdnplu.com

K82

Parker Hannifin Corporation
Pneumatic Division
Richland, Michigan
www.parker.com/pneumatics

General
Dial
Pilot
Proportional
Precision
Water
K
Regulator Products

Lucifer® EPP4 1/4" & 1/2"

Technical Data

| | EPP4 1/4" | EPP4 1/2" |
|--|--|--|
| Fluids: | Lubricated or non lubricated air and neutral gases - Recommended filtration: 40 µm or better | |
| Temperature range: | Ambient: 0°C to 50°C (32°F to 122°F) Fluid: 0°C to 50°C (32°F to 122°F) | |
| Inlet pressure range: The inlet pressure must always be at least 1 bar above the regulated pressure. | 1 to 12 bar (14.5 to 174 PSIG) | 1 to 12 bar (14.5 to 174 PSIG) |
| Outlet pressure range: | 0.05 to 10 bar (.725 to 145 PSIG) | |
| Hysteresis: | ± 50 mbar (.725 PSIG) (factory set up) | |
| Air consumption at constant control signal: | 0 | |
| Supply voltage: | 24 V DC ± 15 % (Max. ripple 1 V) | |
| Power consumption: | Max. 2.8 W with 24 V DC and constant changes of the control signal < 1.5 W without change of control signal | |
| Control signal: | Analog 0 - 10 V Analog 4 - 20 mA field convertible | |
| Outlet sensor signal: | Analog 0 - 10 V Standard for 0 - 10 bar; Adjustable | Digital 0 - 24 V for alarm features: Adjustable pressure error (+/-) Adjustable delay ON Adjustable delay OFF Adjustable logic (+/-) |
| Max. flow: | 70 m³/h (41 SCFM) | 150 m³/h (88 SCFM) |
| Indicative response time: | With a volume of 330 cm³ (20.14 in³) at the outlet of the regulator | |
| Filling 2 to 4 bar (29 to 58 PSI): | 50 msec | 60 msec |
| Filling 2 to 8 bar (29 to 116 PSI): | 100 msec | 120 msec |
| Emptying 4 to 2 bar (29 to 116 PSI): | 70 msec | 90 msec |
| Emptying 8 to 2 bar (29 to 116 PSI): | 130 msec | 190 msec |
| Safety position: | In case of control signal failure or if it is less than 50 mV, the regulated pressure drops automatically to 0 bar (atmospheric pressure). In case of voltage supply failure, the regulated pressure will be kept constant. | |
| Electrical connection: | M12 - 8 pin; male connector power supply/control signal M12 - 5 pin; male connector communication | |
| Life expectancy: | > 50 million changes of control signal steps | |
| Mounting position: | Indifferent (recommended position: upright; electronic part on top) | |
| Resistance to vibrations: | 30 g in all directions | |
| Degree of protection: | IP65 | |
| Assembly: | Silicone free | |
| Electromagnetic compatibility: In accordance with: | EN 61000-6-1: 2001 EN 61000-6-2: 2001 EN 61000-6-3: 2001 + A11 2004 edition (01/07/07) EN 61000-6-4: 2001 | |
| Installation and setting instructions: | See Bulletin 408128, 408134 and appendix supplied with the product. | |

General

Dial

Pilot

Proportional

Precision

Water

K

Regulator Products

Note: Parker reserves the right to change specifications without notification.



For inventory, lead times, and kit lookup, visit www.pdnplu.com

K83

Parker Hannifin Corporation
Pneumatic Division
Richland, Michigan
www.parker.com/pneumatics

Lucifer® EPP4 1/2" HP

Technical Data

EPP4 1/2" HP

| | | |
|--|---|--|
| General | Fluids: | Lubricated or non lubricated air and neutral gases - Recommended filtration: 50 µm |
| | Temperature range: | Ambient: 0°C to 50°C (32°F to 122°F) Fluid: 0°C to 50°C (32°F to 122°F) |
| Dial | Inlet pressure range: The inlet pressure must always be at least 1 bar above the regulated pressure. | 1 to 21 bar (14.5 to 305 PSIG) |
| | Outlet pressure range: | 0.05 to 20 bar (.73 to 290 PSIG) |
| Pilot | Hysteresis: | ≤ 100 mbar (1.45 PSIG) if P inlet ≤ 10 bar (145 PSIG) ≤ 200 mbar (2.90 PSIG) if P inlet > 10 bar (145 PSIG) |
| | Air consumption at constant control signal: | 0 |
| Proportional | Supply voltage: | 24V DC ± 15% |
| | Power consumption: | Max. 6 W with 24 V DC and constant changes of the control signal < 2 W without change of control signal |
| | Control signal: | Analog 0 - 10 V Analog 4 - 20 mA field convertible |
| Precision | Outlet sensor signal: | Analog 0 - 10 V Standard for 0 - 10 bar; Adjustable Analog 4 - 20 mA Standard for 0 - 10 bar; Adjustable |
| | Max. flow: | 150 m³/h (88 SCFM) |
| Water | Indicative response time: | With a volume of 330 cm³ (20.14 in³) at the outlet of the regulator |
| | Filling 2 to 8 bar (29 to 116 PSI): Emptying 8 to 2 bar (116 to 29 PSI): | 120 msec 190 msec |
| | Safety position: | In case of control signal failure or if it is less than 50 mV, the regulated pressure drops automatically to 0 bar atmospheric pressure (for pressure ranges from 0-10 bar, 100 mV for pressure range over 10 bar). In case of voltage supply failure, the regulated pressure will be kept constant. |
| K | Electrical connection: | M12 - 8 pin; male connector power supply/control signal M12 - 5 pin; male connector communication |
| | Life expectancy: | > 20 Million changes of control signal steps |
| Regulator Products | Mounting position: | Indifferent (recommended position: upright; electronic part on top) |
| | Resistance to vibrations: | 30 g in all directions |
| | Degree of protection: | IP65 |
| | Assembly: | Silicone free |
| | Electromagnetic compatibility: In accordance with: | EN 61000-6-1: 2001 EN 61000-6-2: 2001 EN 61000-6-3: 2001 + A11 2004 edition (01/07/07) EN 61000-6-4: 2001 |
| Installation and setting instructions: | See Bulletin 408193 and appendix supplied with the product. | |

Note: Parker reserves the right to change specifications without notification.



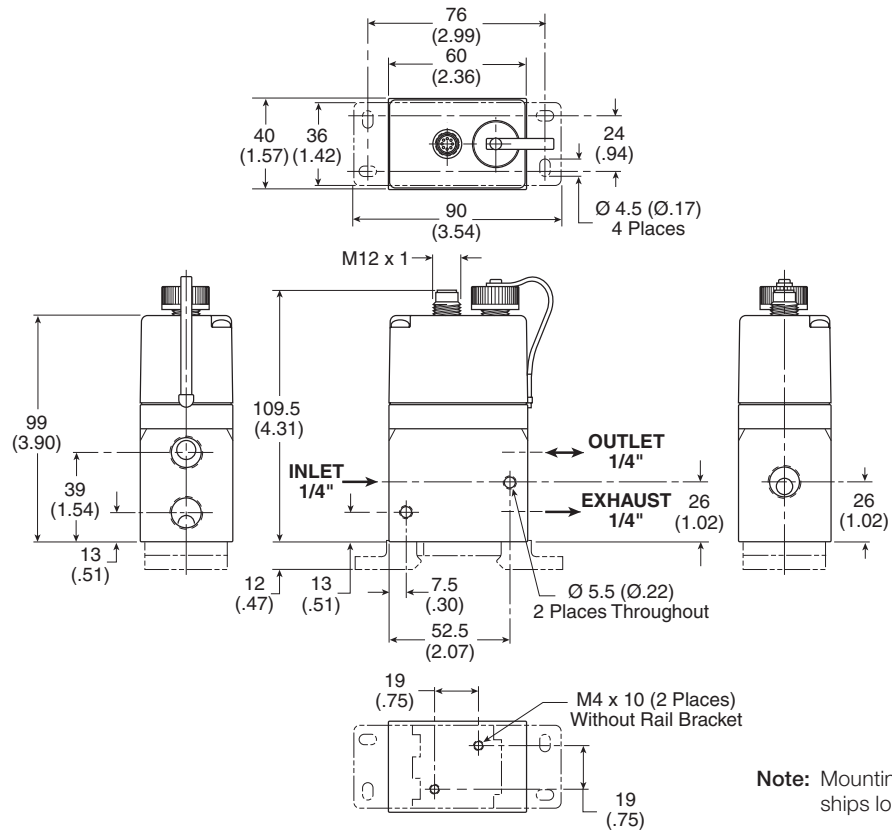
For inventory, lead times, and kit lookup, visit www.pdnplu.com

K84

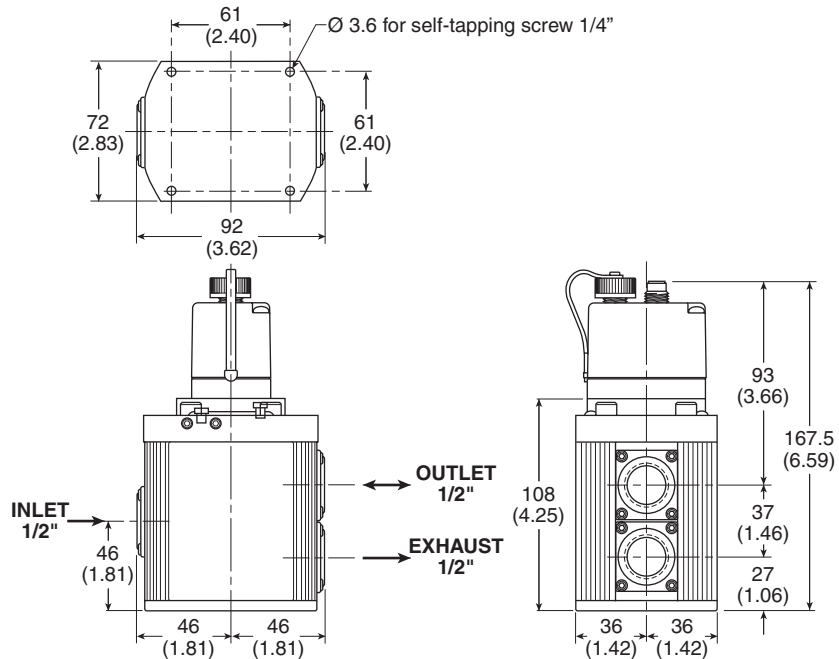
Parker Hannifin Corporation
Pneumatic Division
Richland, Michigan
www.parker.com/pneumatics

Lucifer® EPP4 1/4" & 1/2"

Dimensions EPP4 1/4"



Dimensions EPP4 1/2"



General

Dial

Pilot

Proportional

Precision

Water

K

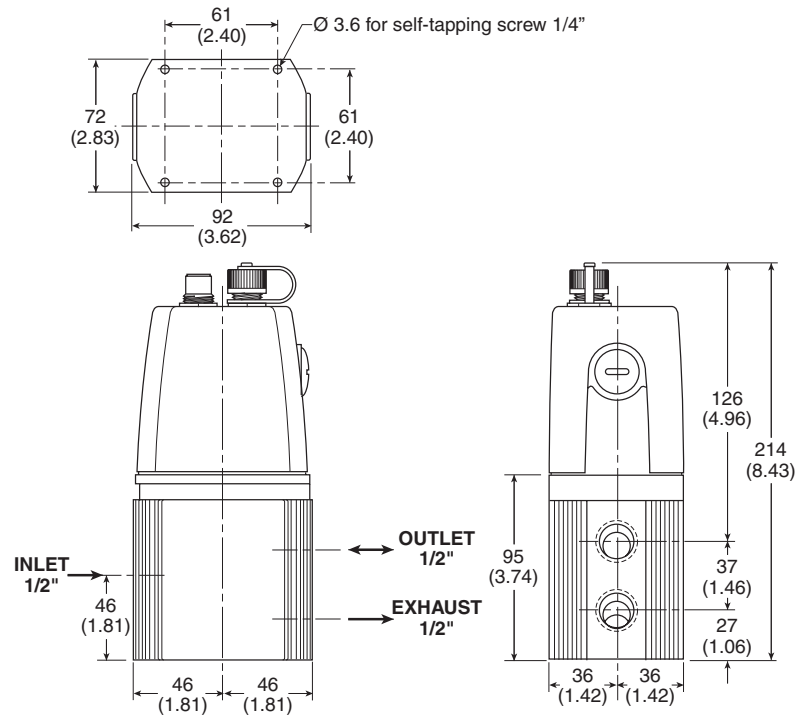
Regulator Products



Lucifer® EPP4 1/2" HP

Dimensions EPP4 1/2" HP

| |
|--------------------|
| General |
| Dial |
| Pilot |
| Proportional |
| Precision |
| Water |
| K |
| Regulator Products |



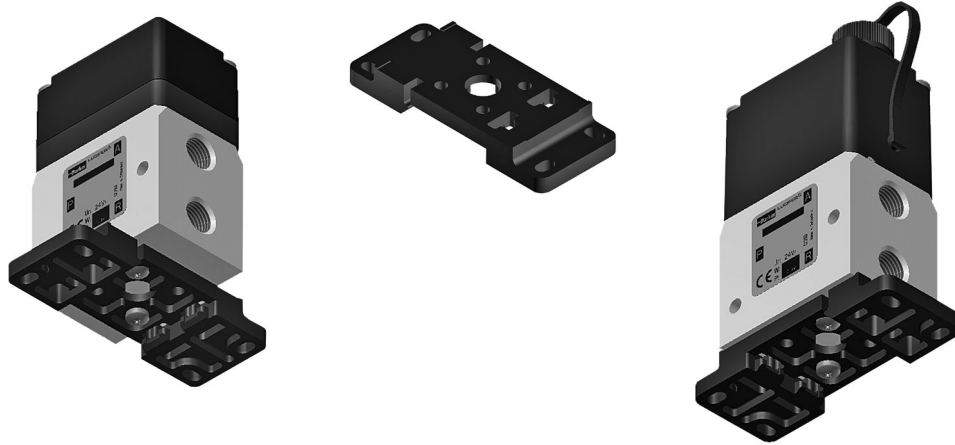
For inventory, lead times, and kit lookup, visit www.pdnplu.com

K86

Parker Hannifin Corporation
Pneumatic Division
Richland, Michigan
www.parker.com/pneumatics

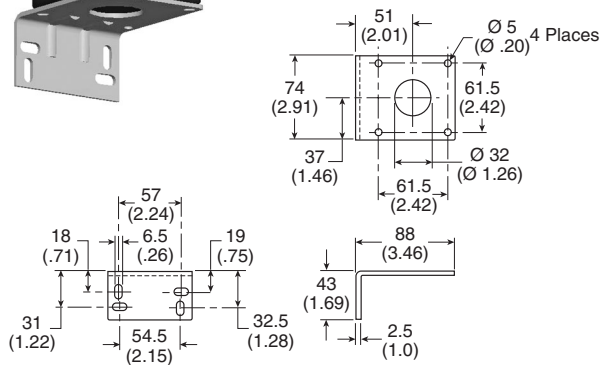
Lucifer® EPP4 Accessories

Mounting Brackets for EPP4 1/4"



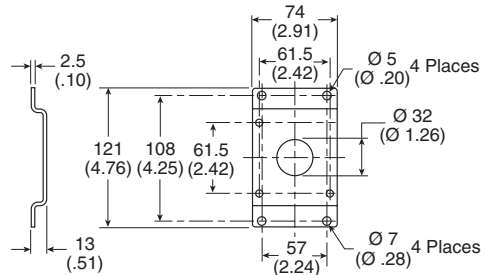
Note: Mounting bracket comes standard with all EPP4 1/4" units, and is shipped loose.

Mounting Brackets for EPP4 1/2"



L Bracket

Part Number 491367



Foot Bracket

Part Number 491366

Lucifer® EPP4 Accessories

Power Supply / Control Signal and Communication Cables

General

Dial

Pilot

Proportional

Precision

Water

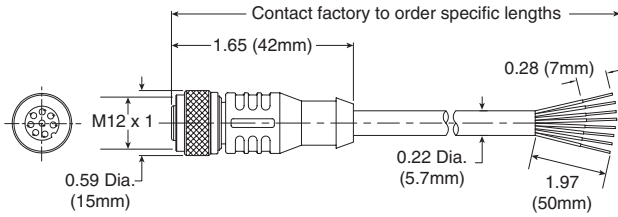
K

Regulator
Products

EPP4 Cable

- 2m cable with molded straight M12-8 pole to flying lead

Part Number RKC8T-2



| Cable Pin | Color |
|-----------|--------|
| 1 | White |
| 2 | Brown |
| 3 | Green |
| 4 | Yellow |
| 5 | Grey |
| 6 | Pink |
| 7 | Blue |
| 8 | Red |



EPP4 Cable

- 2m cable with molded straight M12-5 pole to USB

Part Number 496449



First M12 / 8 pole connector:
power supply & control signal

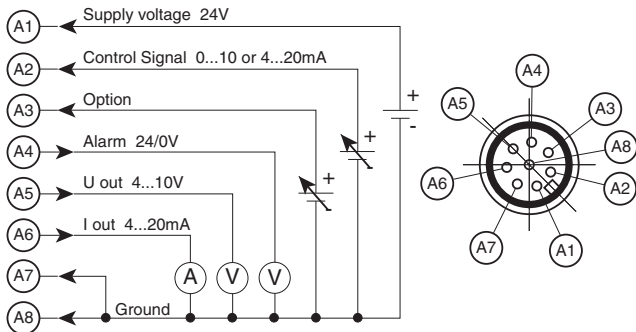
Electrical Connection (A)

Second M12 / 5 pole connector:
remote display or PC communication

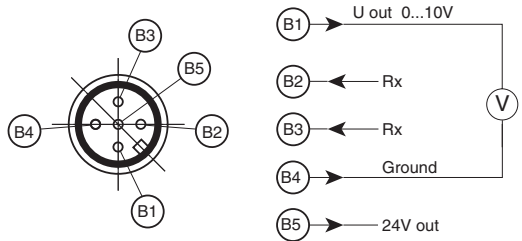
Electrical Connection (B)



Electrical Connection (A)



Electrical Connection (B)



For inventory, lead times, and kit lookup, visit www.pdnplu.com

K88

Parker Hannifin Corporation
 Pneumatic Division
 Richland, Michigan
www.parker.com/pneumatics

Lucifer® EPP4 Accessories

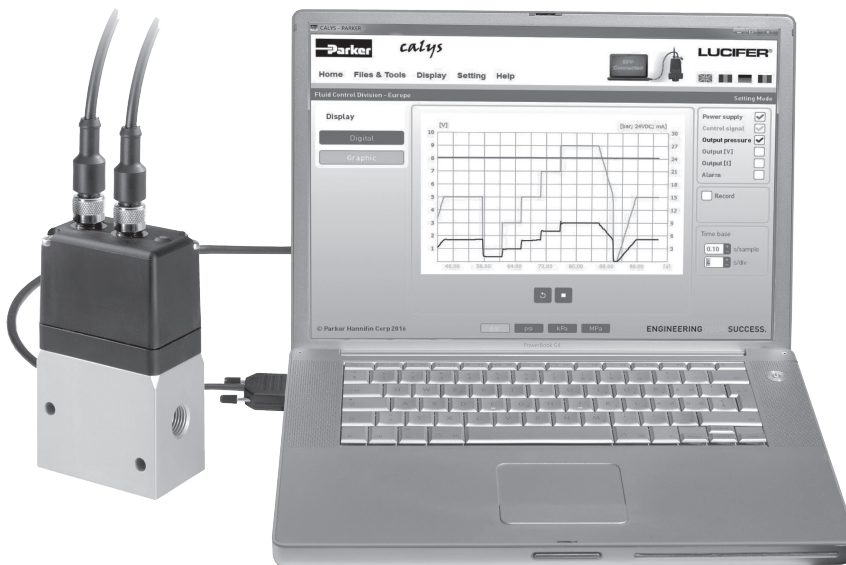
calys Software

Calys is developed to configure all the parameters of the EPP4. A specific cable is needed for the communication between the EPP4 and a PC.

To download free Calys software click on
www.parker.com/fcde/support

Calys offers many capabilities:

- Live monitoring (control signal, regulated pressure, supply voltage,...)
- Recording of the main parameters (control signal, regulated pressure, supply voltage,...) in an Excel file
- Free calibration for the inputs and outputs
- Adjustable alarm (positive-negative, pressure limits, delays)
- Configuration files are easy to duplicate
- Complete and interactive help file
- Data in 4 different pressure units
- Menus in 4 languages (English, German, French and Italian)



Specific communication cable with M12, 5-pole to USB connection

Part Number 496449

| |
|--------------------|
| General |
| Dial |
| Pilot |
| Proportional |
| Precision |
| Water |
| K |
| Regulator Products |



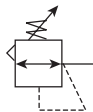
For inventory, lead times, and kit lookup, visit www.pdnplu.com

P3RA302 High Precision Regulators

The P3RA302 Regulator is designed for applications that require high capacity and accurate process control in a small package. A poppet valve which is balanced by utilizing a convoluted diaphragm, insures a constant output pressure even during wide supply pressure variations. Stability of regulated pressure is maintained under varying flow conditions through the use of an aspirator tube which adjusts the air supply in accordance with the flow velocity.



- Control sensitivity of .250" (.010 psig) (.64 cm) water column variation allows use in precision applications
- A compensating diaphragm lets the regulator remain unaffected by supply pressure changes
- An aspirator tube compensates downstream pressure droop under flow conditions
- A separate control chamber isolates the diaphragm from the main flow to eliminate hunting and buzzing
- Unit construction lets you service the regulator without removing it from the line
- 1/4" port (NPT)



| Port Size | Description | Part Number |
|-----------|----------------|------------------|
| 1/4" | 0.5 to 30 psig | P3RA30232 |
| 1/4" | 1 to 60 psig | P3RA30242 |
| 1/4" | 2 to 100 psig | P3RA30252 |

Operating information

| | |
|-------------------------|---|
| Supply pressure: | 250 psig (17.2 bar), (1700 kPa) max |
| Ambient temperature: | -40°F to 200°F (-40°C to 93°C) |
| Sensitivity: | .250" (.010 psig) (.64 cm) water column |
| Flow capacity: | 40 scfm (68 m ³ /HR) @ 100 psig (7.0 bar), (700 kPa) supply and 20 psig (1.5 bar), (150 kPa) setpoint |
| Exhaust capacity: | 2.0 scfm (3.4 m ³ /HR) where downstream pressure is 5 psig (.35 bar), (35 kPa) above 20 psig (1.5 bar), (150 kPa) setpoint |
| Supply pressure effect: | Less than 0.2 psig, (.014 bar), (.14 kPa) for 100 psig, (7.0 bar), (700 kPa) change in supply pressure |
| Hazardous locations: | Acceptable for use in zones 1 and 2 for gas atmosphere: Groups IIA and IIB and zones 21 and 22 for dust atmospheres |

Ordering Information:

P3RA302 **4** **2** **□**

| Springs | |
|----------------|---|
| 0.5 to 30 psig | 3 |
| 1 to 60 psig | 4 |
| 2 to 100 psig | 5 |

| Pipe Size | |
|-----------|---|
| 1/4 inch | 2 |

| Options | |
|---------|---------------|
| Blank | No Options |
| H | BSP |
| N | Non-Relieving |

Note: Other Spring Ranges, Port Sizes, and Options Available. Please Consult Factory

Most popular.



For inventory, lead times, and kit lookup, visit www.pdnplu.com

K90

Parker Hannifin Corporation
Pneumatic Division
Richland, Michigan
www.parker.com/pneumatics

Compact High Precision Regulator

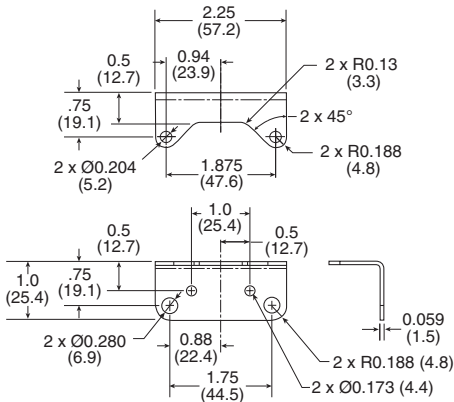
Material Specifications

| | |
|------------------|-------------------|
| Body and housing | Aluminum |
| Diaphragms | Nitrile on dacron |
| Trim | Brass |

Repair and Service Kits

| | |
|---|-------------------|
| Nitrile, standard - 1/2 to 30, 1 to 60, & 2 to 100 psig | PS16116-13 |
| Nitrile, non-relieving - 1/2 to 30, 1 to 60, & 2 to 100 psig | PS16116-14 |
| Tamper Resistant Kit | PS12163 |
| Mounting Bracket Kit | PS21667-1 |

Mounting bracket

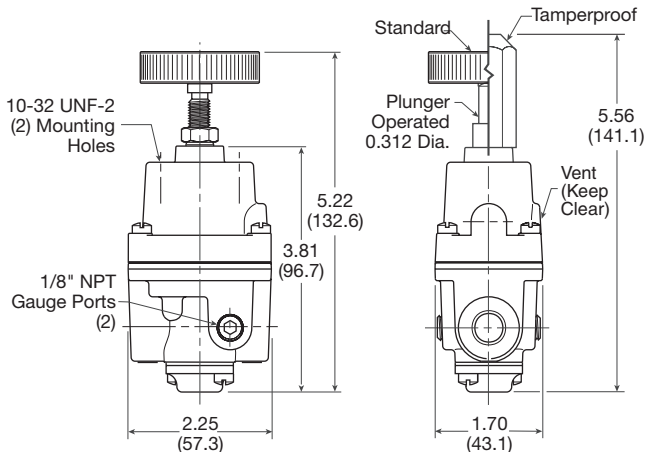


WARNING

Product rupture can cause serious injury.
Do not connect regulator to bottled gas.
Do not exceed Maximum primary pressure rating.

CAUTION:

REGULATOR PRESSURE ADJUSTMENT – The working range of knob adjustment is designed to permit outlet pressures within their full range. Pressure adjustment beyond this range is also possible because the knob is not a limiting device. This is a common characteristic of most industrial regulators, and limiting devices may be obtained only by special design. For best performance, regulated pressure should always be set by increasing the pressure up to the desired setting.

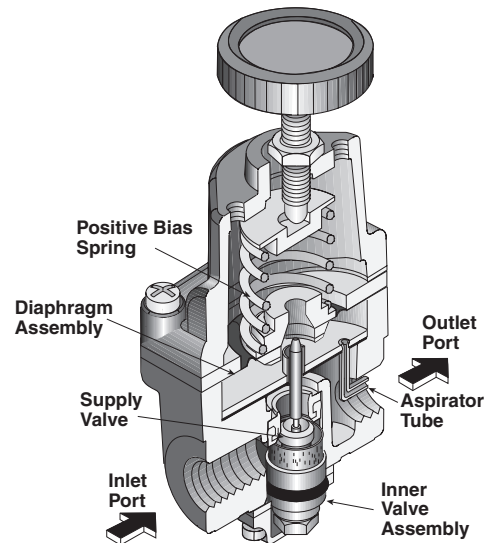
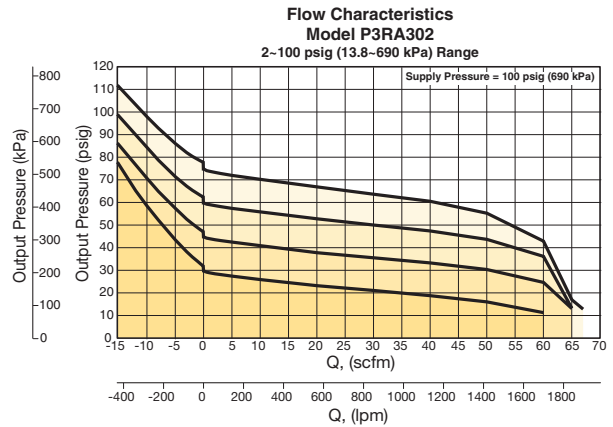


Inches (mm)

Air Preparation Products Regulator Products

Flow Charts

P3RA302 1/4" Regulator



Operating Principles

The P3RA302 Regulator uses the force balance principal to control the movement of the valve assembly which in turn controls the output pressure. When the regulator is adjusted for a specific set point, the downward force of the Positive Bias Spring causes the Diaphragm Assembly to move downward. The Supply Valve opens and allows air to pass to the Outlet Port. As the set point is reached, the downward force exerted by the Positive Bias spring is balanced by the upward force of the downstream pressure acting on the bottom of the Diaphragm Assembly. The resultant force moves the supply Valve upward to reduce the flow of air to the Outlet Port.

Outlet pressure is maintained as a result of balance between forces acting on the top and bottom of the Diaphragm Assembly.



For inventory, lead times, and kit lookup, visit www.pdnplu.com

K91

Parker Hannifin Corporation
Pneumatic Division
Richland, Michigan
www.parker.com/pneumatics

General

Dial

Pilot

Proportional

Precision

Water

K

Regulator Products

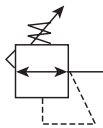
Standard High Precision Regulator

P3RA102 High Precision Regulators

The P3RA102 Regulator is designed for applications that require high capacity and accurate process control. A poppet valve which is balanced by utilizing a rolling diaphragm, insures a constant output pressure even during wide supply pressure variations. Stability of regulated pressure is maintained under varying flow conditions through the use of an aspirator tube which adjusts the air supply in accordance with the flow velocity.



- Control sensitivity of .125" (.005 psig) (.32 cm) water column allows use in precision processes
- Pressure balanced supply valve prevents supply pressure changes from affecting the setpoint
- Optional check valve permits dumping of downstream pressure when supply is opened to atmosphere
- Separate control chamber isolates the diaphragm from the main flow to eliminate hunting and buzzing
- An aspirator tube compensates downstream pressure droop under flow conditions



| Port Size | Description | Part Number |
|-----------|----------------|------------------|
| 1/4" | 0.5 to 30 psig | P3RA10232 |
| 1/4" | 1 to 60 psig | P3RA10242 |
| 1/4" | 2 to 150 psig | P3RA10262 |

Operating information

| | |
|-------------------------|---|
| Supply pressure: | 500 psig (35 bar), (3500 kPa) max |
| Ambient temperature: | -40°F to 200°F (-40°C to 93°C) |
| Sensitivity: | .125" (.005 psig) (.32 cm) water column |
| Flow capacity: | 40 scfm (68 m ³ /HR) @ 100 psig (7.0 bar), (700 kPa) supply and 20 psig (1.5 bar), (150 kPa) setpoint |
| Exhaust capacity: | 5.5 scfm (9.35 m ³ /HR) where downstream pressure is 5 psig, (.35 bar), (35 kPa) above 20 psig (1.5 bar), (150 kPa) setpoint |
| Supply pressure effect: | Less than 0.1 psig (.007 bar), (.7 kPa) for 100 psig, (7.0 bar), (700 kPa) change in supply pressure |
| Hazardous locations: | Acceptable for use in zones 1 and 2 for gas atmosphere: Groups IIA and IIB and zones 21 and 22 for dust atmospheres |

Ordering Information:

P3RA102 **6** **2** **□**

| Springs | |
|----------------|---|
| 0.5 to 30 psig | 3 |
| 1 to 60 psig | 4 |
| 2 to 150 psig | 6 |

| Pipe Size | |
|-----------|---|
| 1/4 inch | 2 |

| Options | |
|---------|---------------|
| Blank | No Options |
| H | BSPP |
| N | Non-Relieving |

Note: Other spring ranges, port sizes, and options available. Please consult factory

Most popular.



For inventory, lead times, and kit lookup, visit www.pdnplu.com

K92

Parker Hannifin Corporation
Pneumatic Division
Richland, Michigan
www.parker.com/pneumatics

Standard High Precision Regulator

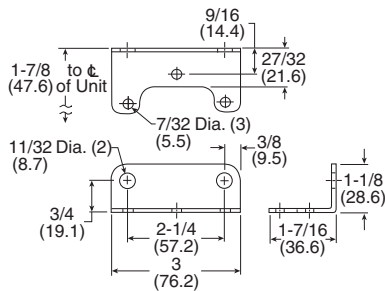
Material Specifications

| | |
|------------------|---------------------------------------|
| Body and housing | Aluminum |
| Diaphragms | Buna N on dacron (standard unit only) |
| Trim | zinc plated steel, brass |

Repair and Service Kits

| | |
|---|------------------|
| 0 to 200 psig, relieving | PS12125-1 |
| 0 to 200 psig, non-relieving | PS12125-4 |
| Tamper resistant kit | PS12165 |
| Mounting bracket kit, zinc plated steel | PS09921 |

Mounting bracket

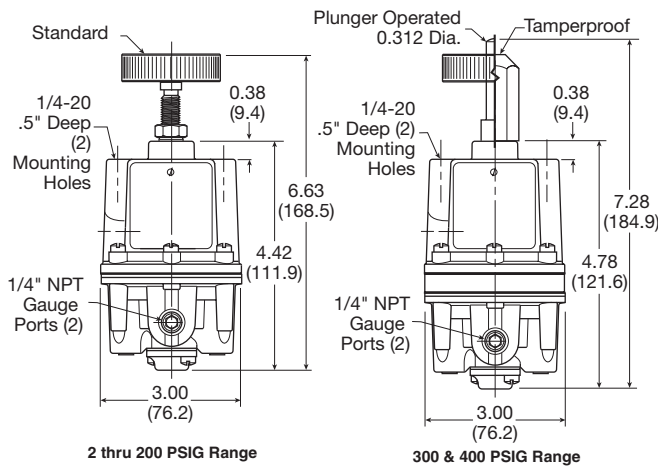


⚠ WARNING

Product rupture can cause serious injury. Do not connect regulator to bottled gas. Do not exceed Maximum primary pressure rating.

CAUTION:

REGULATOR PRESSURE ADJUSTMENT – The working range of knob adjustment is designed to permit outlet pressures within their full range. Pressure adjustment beyond this range is also possible because the knob is not a limiting device. This is a common characteristic of most industrial regulators, and limiting devices may be obtained only by special design. For best performance, regulated pressure should always be set by increasing the pressure up to the desired setting.

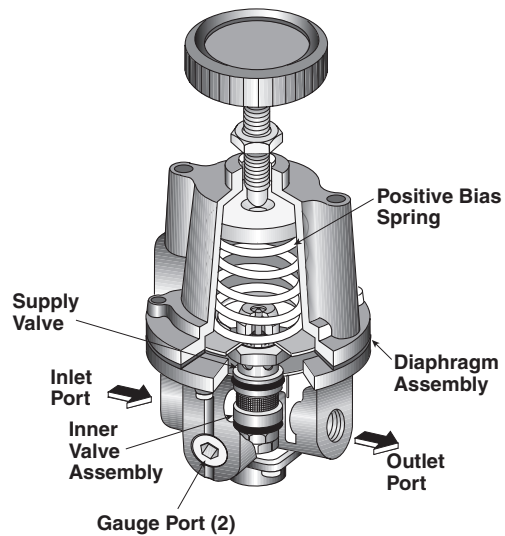
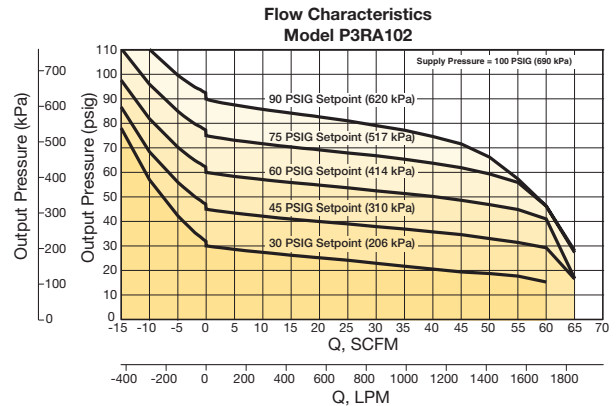


Inches (mm)

Air Preparation Products Regulator Products

Flow Charts

P3RA102 1/4" Regulator



Operating Principles

The P3RA102 Series regulator use the force balance principal to control the movement of the Valve Assembly that controls the output pressure. When the regulator is adjusted for a specific set point, the downward force of the Positive Bias Spring moves the Diaphragm Assembly downward. The Supply Valve opens and allows air to pass to the Outlet Port. As the set point is reached, the downward force exerted by the Positive Bias Spring is balanced by the force of the downstream pressure that acts on the Diaphragm Assembly. The resultant force moves the Supply Valve upward to reduce the flow of air to the Outlet Port.

Outlet pressure is maintained as a result of balance between forces acting on the top and bottom of the Diaphragm Assembly.



For inventory, lead times, and kit lookup, visit www.pdnplu.com

General

Dial

Pilot

Proportional

Precision

Water

K

Regulator Products

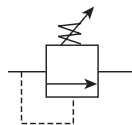
High Precision Relief Valve

P3RA102BP High Precision Relief Valves

The P3RA102BP is a high capacity relief valve that relieves excess pressure in a pneumatic system.

The P3RA102BP provides greater accuracy than standard relief valves over a narrow pressure range. The P3RA102BP is an excellent choice for a wide range of precision applications.

- Control sensitivity of .125" (.005 psig) (.32 cm) water column allows use in precision applications
- A separate control chamber and Aspirator Tube isolate the diaphragm from the main flow to eliminate hunting and buzzing
- Unit construction lets you service without removing it from the line
- Mounting bracket is available

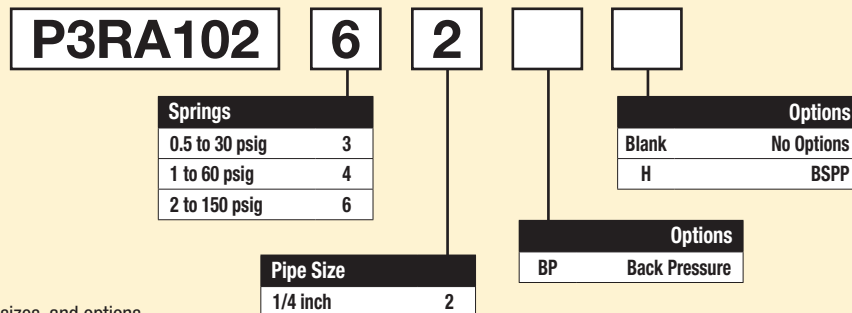


| Port Size | Description | Part Number |
|-----------|----------------|--------------------|
| 1/4" | 0.5 to 30 psig | P3RA10232BP |
| 1/4" | 1 to 60 psig | P3RA10242BP |
| 1/4" | 2 to 150 psig | P3RA10262BP |

Operating information

| | | | |
|----------------------|--|---------------------------|--|
| Setpoint range | 2 to 200 psig (0.15 to 14 bar) (15 to 1400 kPa) | System pressure (maximum) | 300 psig (20.7 bar), (2100 kPa) max |
| | 300 to 400 psig (21 to 28 bar) (2100 to 2800 kPa) | | 500 psig (35 bar), (3500 kPa) max |
| Ambient temperature: | -40°F to 200°F (-40°C to 93°C) | | |
| Sensitivity: | .125" (.005 psig) (.32 cm) water column | | |
| Flow capacity: | 40 scfm (68 m3/HR) @ 100 psig, (7.0 bar), (700 kPa) system pressure | | |

Ordering Information:



Note: Other spring ranges, port sizes, and options available. Please consult factory

Most popular.



For inventory, lead times, and kit lookup, visit www.pdnplu.com

K94

Parker Hannifin Corporation
Pneumatic Division
Richland, Michigan
www.parker.com/pneumatics

High Precision Relief Valve

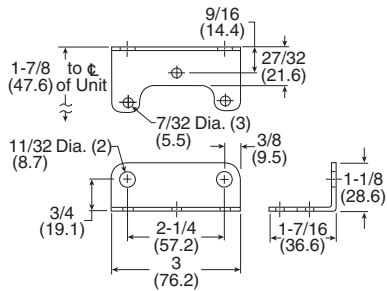
Material Specifications

| | |
|------------------|--------------------------|
| Body and housing | Aluminum |
| Trim | Zinc plated steel, brass |
| Nozzle | Nitrile on dacron |

Repair and Service Kits

| | |
|---|------------------|
| 0 to 200 psig, standard | PS12127-1 |
| Tamper resistant kit | PS12165 |
| Mounting bracket kit, zinc plated steel | PS09921 |

Mounting bracket

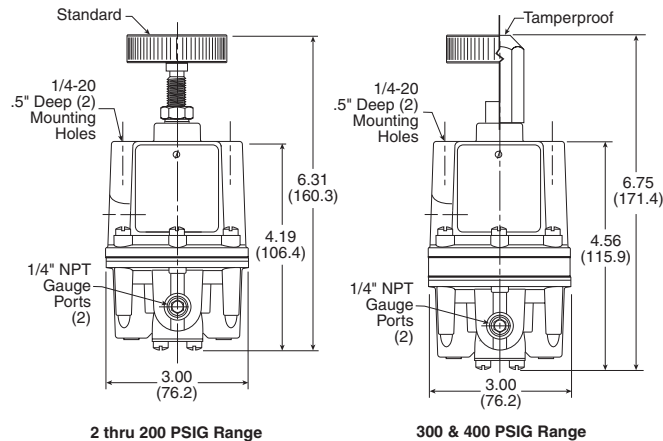


⚠ WARNING

Product rupture can cause serious injury. Do not connect regulator to bottled gas. Do not exceed Maximum primary pressure rating.

CAUTION:

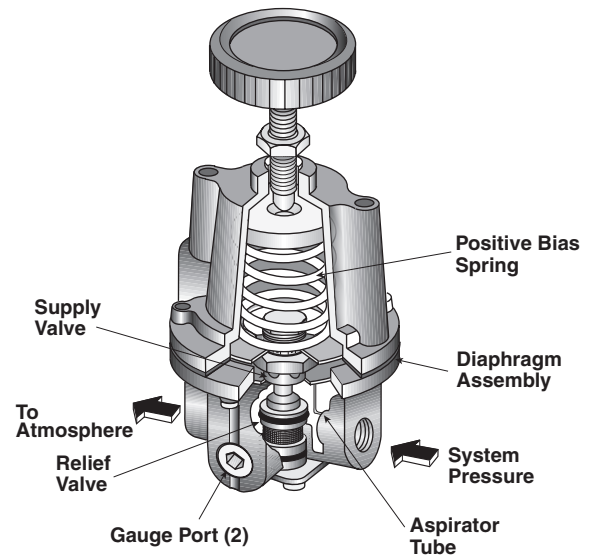
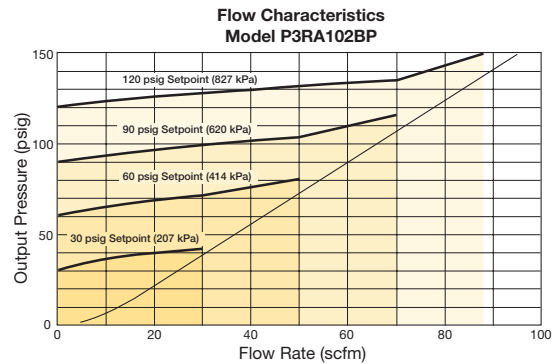
REGULATOR PRESSURE ADJUSTMENT – The working range of knob adjustment is designed to permit outlet pressures within their full range. Pressure adjustment beyond this range is also possible because the knob is not a limiting device. This is a common characteristic of most industrial regulators, and limiting devices may be obtained only by special design. For best performance, regulated pressure should always be set by increasing the pressure up to the desired setting.



Air Preparation Products Regulator Products

Flow Charts

P3RA102BP 1/4" Regulator



Operating Principles

The P3RA102BP Regulator uses the force balance principle to open the Relief Valve and vent system pressure when the set point is exceeded.

Downstream pressure is transmitted through the Aspirator Tube to the bottom of the Diaphragm Assembly. When you adjust the range screw for a specific set point, the Positive Bias Spring compresses and exerts a force on the top of the Diaphragm Assembly. As long as the pressure acting on the bottom of the Diaphragm Assembly produces a force less than the spring force acting on the top of the Diaphragm Assembly, the Relief Valve remains closed. When system pressure increases, the force on the bottom of the Diaphragm Assembly increases until it reaches the set point. When system pressure increases beyond the set point, the assembly moves upward, lifting the Relief Valve from its seat and vents the downstream air.

If downstream pressure decreases below the set point, the assembly moves downward closing the Relief Valve.



For inventory, lead times, and kit lookup, visit www.pdnplu.com

General

Dial

Pilot

Proportional

Precision

Water

K

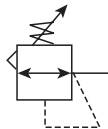
Regulator Products

P3RA171 High Precision Vacuum Regulator

The P3RA171 is a high accuracy vacuum regulator that provides uniform vacuum regulation independent of vacuum supply changes and flow demand.

This unit has a diaphragm assembly with three springs to provide a more balanced loading of the diaphragm.

- Control sensitivity of .125" (.005 PSIG) (.32 cm) water column allows use in precision applications
- Balanced supply valve minimizes effects of vacuum variation
- Aspirator tube compensates for downstream pressure droop under flow conditions
- Separate control chamber isolates the diaphragm from the main flow to eliminate hunting and buzzing
- Construction allows servicing without removing from the line

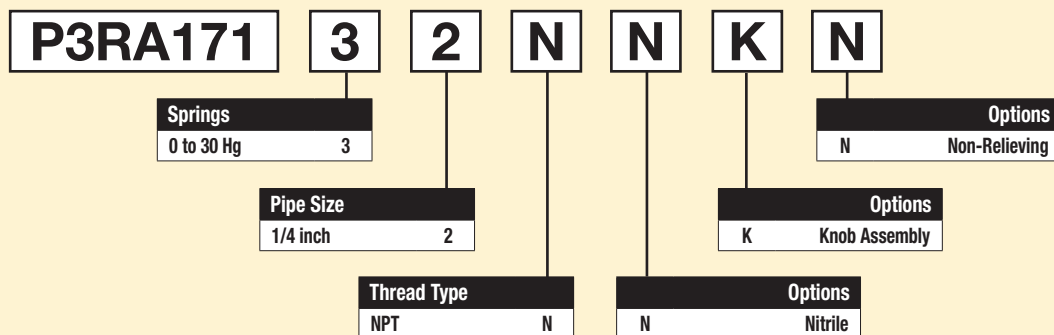


Operating information

| | |
|-----------------------|--|
| Vacuum supply: | 29.92 Hg (760 torr) max |
| Ambient temperature: | -40°F to 200°F (-40°C to 93°C) |
| Sensitivity: | .125" (.005 psig) (.32 cm) water column |
| Flow capacity: | 3 scfm @ 650 torr supply, 250 torr setpoint |
| Vacuum supply effect: | Less than 1 torr for 100 torr (.04 Hg for 3.94 Hg) change in vacuum supply |

| Port Size | Description | Part Number |
|-----------|-------------|----------------------|
| 1/4" | 0 to 30 Hg | P3RA17132NNKN |

Ordering Information:



Note: Other spring ranges, port sizes, and options available. Please consult factory

Most popular.



For inventory, lead times, and kit lookup, visit www.pdnplu.com

K96

Parker Hannifin Corporation
Pneumatic Division
Richland, Michigan
www.parker.com/pneumatics

High Precision Vacuum Regulator

Material Specifications

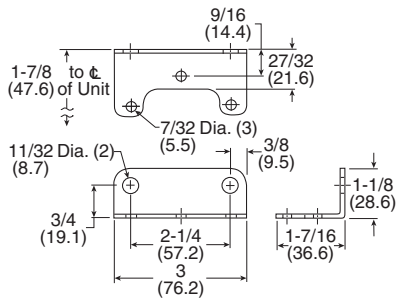
| | |
|------------------|--------------------------|
| Body and housing | Aluminum |
| Trim | Zinc plated steel, brass |
| Elastomers | Nitrile |

Repair and Service Kits

Service kits – (includes diaphragm assy, valve assy, seat assy & gasket)
0-30" Hg, nitrile, non-relieving

| | |
|----------------------|------------------|
| | PS20966-9 |
| Tamper resistant kit | PS20967-1 |
| Mounting bracket | PS09921 |

Mounting bracket

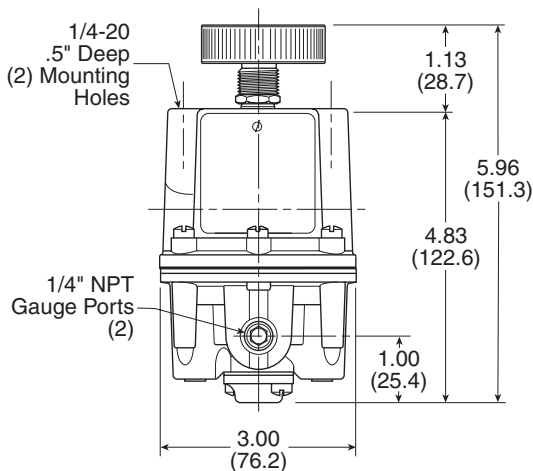


⚠ WARNING

**Product rupture can cause serious injury.
Do not connect regulator to bottled gas.
Do not exceed Maximum primary pressure rating.**

CAUTION:

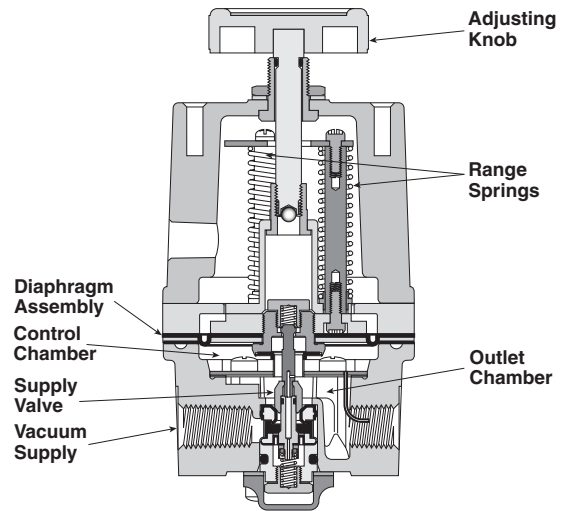
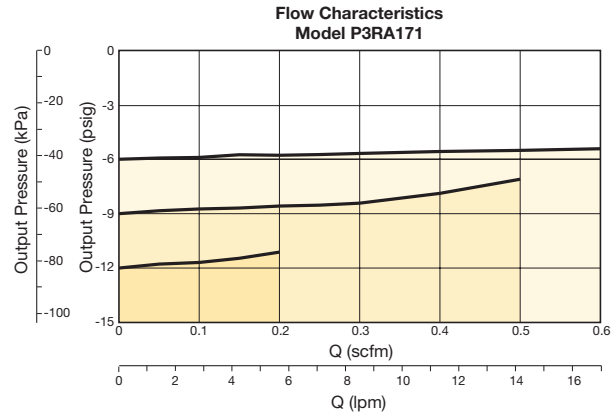
REGULATOR PRESSURE ADJUSTMENT – The working range of knob adjustment is designed to permit outlet pressures within their full range. Pressure adjustment beyond this range is also possible because the knob is not a limiting device. This is a common characteristic of most industrial regulators, and limiting devices may be obtained only by special design. For best performance, regulated pressure should always be set by increasing the pressure up to the desired setting.



Air Preparation Products Regulator Products

Flow Charts

P3RA171 1/4" Regulator



Operating Principles

The Model P3RA171 Series vacuum regulator uses the force balance principle to control the movement of the Valve Assembly that controls output vacuum.

When the regulator is adjusted for a specific set point, the upward force of the Range Springs moves the Diaphragm Assembly upward. The Supply Valve opens and allows air to pass to the inlet port. As the set point is reached, the upward force exerted by the Range Springs is balanced by the force of the vacuum that pulls downward on the Diaphragm Assembly. The resultant force moves the Supply Valve downward to reduce the flow of air to the inlet port. Outlet vacuum is maintained as a result of balance between forces acting on the top and bottom of the Diaphragm Assembly.



For inventory, lead times, and kit lookup, visit www.pdnplu.com

General

Dial

Pilot

Proportional

Precision

Water

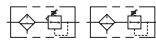
K

Regulator Products

High Precision Filter / Regulator

P3EA632 Precision Filter / Regulators

- The no-brass construction is well suited to harsh environments
- Internal and external epoxy finish for superior corrosion resistance
- Non-bleed design to reduce consumption
- Integral relief valve
- A gauge port provides convenient pressure gauge mounting
- The standard 5-micron filter minimizes internal contamination
- The filter dripwell contains a drain plug to easily drain trapped liquids
- Standard tapped exhaust
- Soft relief seat minimizes air loss



Operating information

| | |
|-------------------------|---|
| Supply pressure: | 250 psig (17.2 bar), (1700 kPa) max |
| Temperature range: | -40°F to 160°F (-40°C to 71°C) |
| Sensitivity: | 1.0" (.036 psig) (2.54 cm) water column |
| Flow capacity: | 25 scfm (42.5 m ³ /HR) @ 100 psig (7 bar), (700 kPa) supply and 20 psig (1.5 bar), (150 kPa) setpoint |
| Exhaust capacity: | 0.8 scfm (1.36 m ³ /HR) where downstream pressure is 5 psig, (.35 bar) (35 kPa) above 20 psig (1.5 bar), (150 kPa) setpoint (0.8 SCFM for 120 # unit) |
| Consumption: | Undetectable |
| Supply pressure effect: | Less than 1.25 psig (.09 bar), (9 kPa) change for 100 psig (7.0 bar), (700 kPa) change in supply pressure (1.90 psig for 120 # unit) |

| Port Size | Description | Part Number |
|-----------|---------------|--------------------|
| 1/4" | 1 to 60 psig | P3EA63242NS |
| 1/4" | 2 to 120 psig | P3EA63252NS |

Ordering Information:

P3EA632 **5** **2** **N** **S** **Blank**

| Springs | |
|---------------|---|
| 0 to 60 psig | 4 |
| 2 to 120 psig | 5 |

| Options | |
|---------|------|
| Blank | None |

| Pipe Size | |
|-----------|---|
| 1/4 inch | 2 |

| Thread Type | |
|-------------|---|
| NPT | N |
| BSPP | U |

| Adjustment | |
|------------|-------------|
| S | Screw (std) |
| K | Knob |
| T | Tamperproof |

Note: Other spring ranges, port sizes, and options available. Please consult factory

Most popular.



For inventory, lead times, and kit lookup, visit www.pdnplu.com

K98

Parker Hannifin Corporation
Pneumatic Division
Richland, Michigan
www.parker.com/pneumatics

High Precision Filter / Regulator

Material Specifications

| | |
|------------------|---|
| Body and housing | Epoxy coated Aluminum |
| Trim | Stainless steel, nickel plated steel |
| Elastomers | Nitrile |

Repair and Service Kits

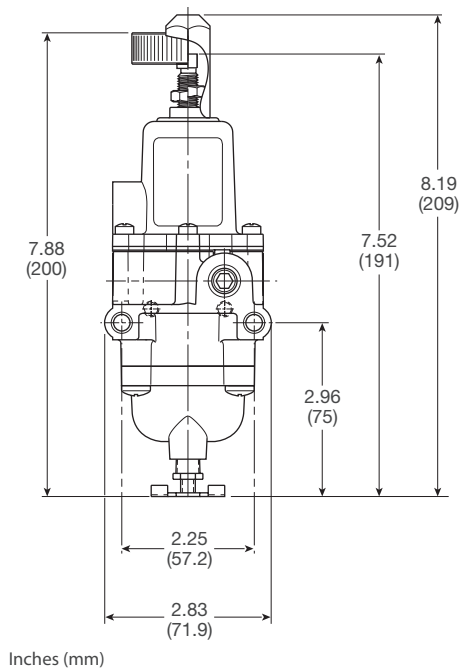
| | |
|------------------------|-------------------|
| 1 to 60, 2 to 120 psig | PS19968-NR |
| Tamper resistant kit | PS12165 |

WARNING

**Product rupture can cause serious injury.
Do not connect regulator to bottled gas.
Do not exceed Maximum primary pressure rating.**

CAUTION:

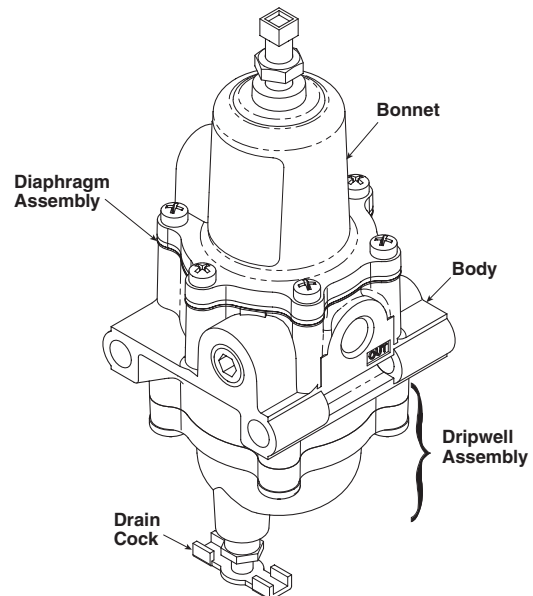
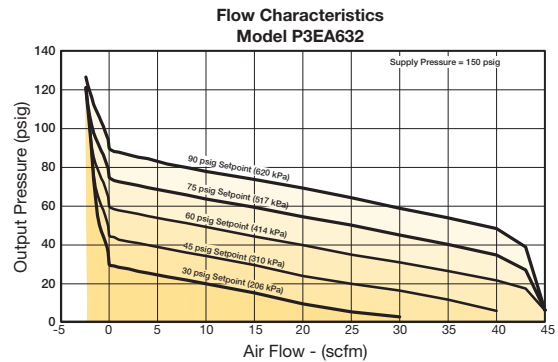
REGULATOR PRESSURE ADJUSTMENT – The working range of knob adjustment is designed to permit outlet pressures within their full range. Pressure adjustment beyond this range is also possible because the knob is not a limiting device. This is a common characteristic of most industrial regulators, and limiting devices may be obtained only by special design. For best performance, regulated pressure should always be set by increasing the pressure up to the desired setting.



Air Preparation Products Regulator Products

Flow Charts

P3EA632 1/4" Filter / Regulator



Operating Principles

When you turn the Adjustment Screw to a specific setpoint, the Spring exerts a downward force against the top of the Diaphragm Assembly. This downward force opens the Supply Valve. Output pressure flows through the Outlet Port and the passage to the Control Chamber where it creates an upward force on the bottom of the Diaphragm Assembly.

When the setpoint is reached, the force of the Spring that acts on the top of the Diaphragm Assembly balances with the force of output pressure that acts on the bottom of the Diaphragm Assembly and closes the Supply Valve.

When the output pressure increases above the setpoint, the Diaphragm Assembly moves upward to close the Supply Valve and open the Exhaust Valve. Output pressure flows through the Exhaust Valve and out of the Exhaust Vent on the side of the unit until it reaches the setpoint.

General

Dial

Pilot

Proportional

Precision

Water

K

Regulator Products



P3BA208 Precision Pneumatic Input Signal Amplifier

- The P3BA208 uses a pneumatic input signal to accurately control output pressure based on a predetermined ratio
- A balanced supply valve minimizes the effects of supply pressure variation
- An aspirator tube compensates downstream pressure droop under flowing conditions
- A separate control chamber isolates the diaphragm from the main flow to eliminate hunting and buzzing
- Unit construction allows servicing without removal
- Mounting bracket available

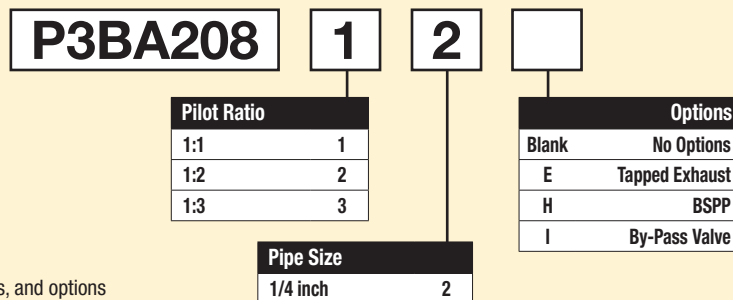


| Port Size | Description | Part Number |
|-----------|-----------------|------------------|
| 1/4" | 1:1 pilot ratio | P3BA20812 |
| 1/4" | 1:2 pilot ratio | P3BA20822 |
| 1/4" | 1:3 pilot ratio | P3BA20823 |

Operating information

| | Signal : Output | 1:1 | 1:2 | 1:3 |
|--|-----------------|-----------------------------------|-----------------------------------|-----------------------------------|
| Output pressure, maximum: | | 150 psig (10 bar) | 150 psig (10 bar) | 150 psig (10 bar) |
| Supply pressure, maximum: | | 250 psig (17 bar) | 250 psig (17 bar) | 250 psig (17 bar) |
| Flow capacity – 100 psig (7 bar), supply 20 psig, (1.5 bar) output | | 45 scfm (76.5 m³/HR) | 45 scfm (76.5 m³/HR) | 45 scfm (76.5 m³/HR) |
| Exhaust capacity – Downstream pressure 5 psig (0.35 bar) above 20 psig (1.5 bar) setpoint | | 11 scfm (18.7 m³/HR) | 11 scfm (18.7 m³/HR) | 11 scfm (18.7 m³/HR) |
| Sensitivity, water column: | | 0.250" (0.64 cm) | 0.500" (1.27 cm) | 0.750" (1.9 cm) |
| Ratio accuracy – % of 100 psig (7 bar) output span % of output span with 100 psig (7 bar) input span | | 1.0 — | 1.0 — | 1.0 — |
| Supply pressure effect – for change of 100 psig (7 bar) | | 0.10 psig (.007 bar) | 0.20 psig (.014 bar) | 0.30 psig (.021 bar) |
| Ambient temperature: | | -40°F to 200°F (-40°C to 93°C) | -40°F to 200°F (-40°C to 93°C) | -40°F to 200°F (-40°C to 93°C) |

Ordering Information:



Most popular.



For inventory, lead times, and kit lookup, visit www.pdnplu.com

K100

Parker Hannifin Corporation
Pneumatic Division
Richland, Michigan
www.parker.com/pneumatics

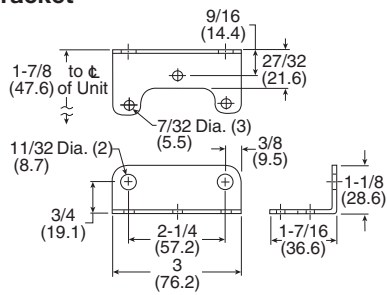
Material Specifications

| | |
|------------------|--------------------------|
| Body and housing | Aluminum |
| Diaphragm | Nitrile on dacron fabric |
| Trim | Zinc plated steel, brass |

Repair and Service Kits

| | |
|----------------------------|--------------------|
| Mounting bracket | PS09921 |
| 1:1 Ratio | PS19513-11 |
| 1:1 Ratio w/ by-pass valve | PS19513-11I |
| 1:2 Ratio | PS19513-12 |
| 1:3 Ratio | PS19513-13 |

Mounting bracket



⚠ WARNING

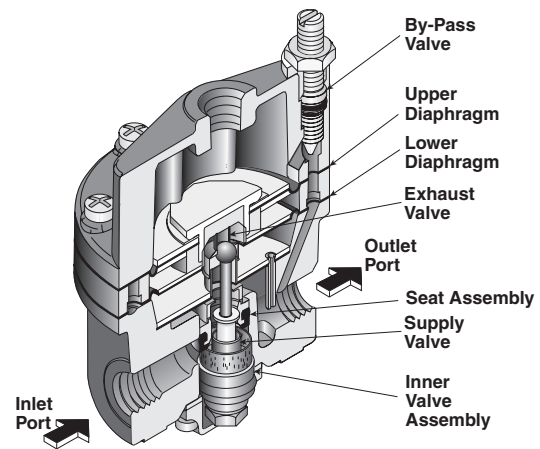
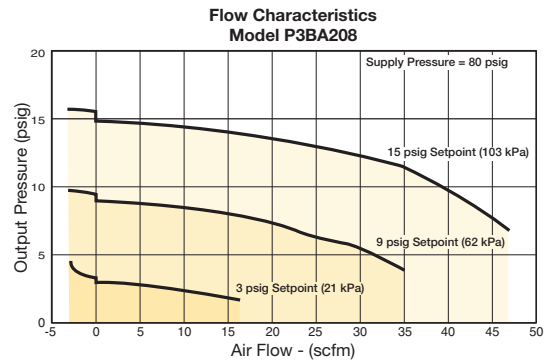
**Product rupture can cause serious injury.
Do not connect regulator to bottled gas.
Do not exceed Maximum primary pressure rating.**

CAUTION:

REGULATOR PRESSURE ADJUSTMENT – The working range of knob adjustment is designed to permit outlet pressures within their full range. Pressure adjustment beyond this range is also possible because the knob is not a limiting device. This is a common characteristic of most industrial regulators, and limiting devices may be obtained only by special design. For best performance, regulated pressure should always be set by increasing the pressure up to the desired setting.

Flow Charts

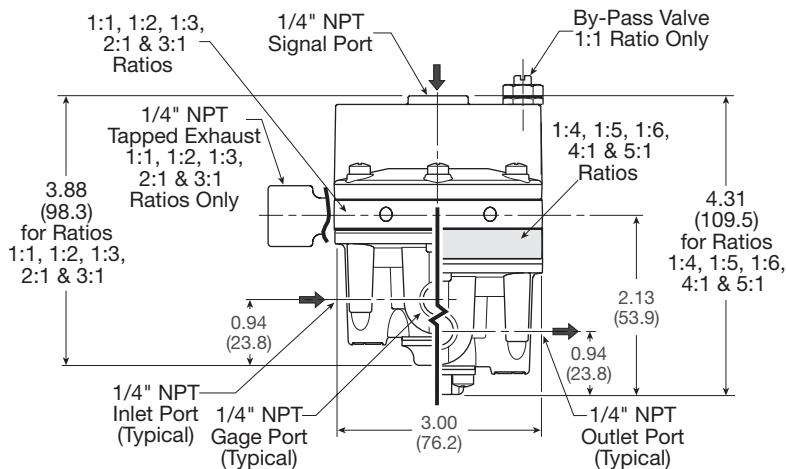
P3RA102BP 1/4" Input Signal Amplifier



Operating Principles

The P3BA208 Input Signal Amplifier is a pneumatic device capable of high flow and exhaust capacity. This device uses a force balance system to control the movement of the supply and exhaust valves.

At set point, the force due to signal pressure that acts on the top of the Upper Diaphragm balances with the force due to output pressure acting on the bottom of the Lower Diaphragm.



For inventory, lead times, and kit lookup, visit www.pdnplu.com

K101

Parker Hannifin Corporation
 Pneumatic Division
 Richland, Michigan
www.parker.com/pneumatics

General

Dial

Pilot

Proportional

Precision

Water

K

Regulator Products

Precision Pneumatic Input Signal Amplifier Regulator Products

P3BA45 Precision Pneumatic Input Signal Amplifier

- Five signal to output ratios meet most control element requirements.
- Control sensitivity of water column allows use in precision applications.
- Large Supply and Exhaust Valves provide high forward and exhaust flows.
- Soft Supply and Exhaust Valve seats minimize air consumption.
- A balanced Supply Valve minimizes the effect of supply pressure variation.
- An Aspirator Tube compensates downstream pressure droop under flow conditions.
- A separate Control Chamber isolates the diaphragm from the main flow to eliminate hunting and buzzing.
- Unit construction lets you service the P3BA45 without removing it from the line.

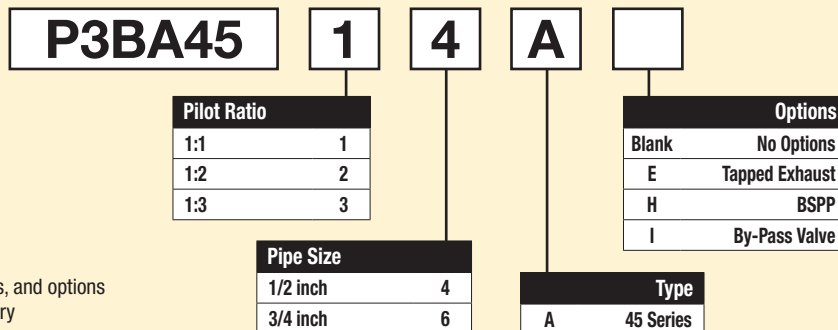


| Port Size | Description | Part Number |
|-----------|-----------------|------------------|
| 1/2" | 1:1 pilot ratio | P3BA4514A |
| 3/4" | 1:1 pilot ratio | P3BA4516A |

Operating information

| | Signal : Output | 1:1 | 1:2 | 1:3 |
|--|-----------------|---|-----------------------------------|-----------------------------------|
| Output pressure, maximum: | | 150 psig (10 bar) | 150 psig (10 bar) | 150 psig (10 bar) |
| Supply pressure, maximum: | | 250 psig (17 bar) | 250 psig (17 bar) | 250 psig (17 bar) |
| Flow capacity – 100 psig (7 bar), supply 20 psig (1.5 bar) output | | 150 scfm (255 m ³ /HR) | 150 scfm (255 m ³ /HR) | 150 scfm (255 m ³ /HR) |
| Exhaust capacity – Downstream pressure 5 psig (.35 bar) above 20 psig (1.5 bar) setpoint | | 40 scfm (62.5 m ³ /HR) | 40 scfm (62.5 m ³ /HR) | 40 scfm (62.5 m ³ /HR) |
| Sensitivity, water column: | | 1.0" (2.54 cm) | 2.0" (5.08 cm) | 3.0" (7.62 cm) |
| Ratio Accuracy – % of 100 psig (7 bar) output span % of output span with 100 psig (7 bar) input span | | 3.0 — | 3.0 — | 3.0 — |
| Supply pressure effect – for change of 100 psig (7 bar) | | 0.10 psig (0.007 bar) | 0.20 psig (0.014 bar) | 0.30 psig (0.021 bar) |
| Ambient temperature: | | -40°F to 200°F (-40°C to 93°C) | -40°F to 200°F (-40°C to 93°C) | -40°F to 200°F (-40°C to 93°C) |
| Hazardous locations: | | Acceptable for use in zones 1 and 2 for gas atmospheres; Groups IIA and IIB and zones 21 and 22 for dust atmospheres. | | |

Ordering Information:



Most popular.



For inventory, lead times, and kit lookup, visit www.pdnplu.com

K102

Parker Hannifin Corporation
Pneumatic Division
Richland, Michigan
www.parker.com/pneumatics

Precision Pneumatic Input Signal Amplifier

Air Preparation Products Regulator Products

Material Specifications

| | |
|------------------|--------------------------|
| Body and housing | Aluminum |
| Diaphragm | Nitrile on dacron fabric |
| Trim | Zinc plated steel, brass |

Repair and Service Kits

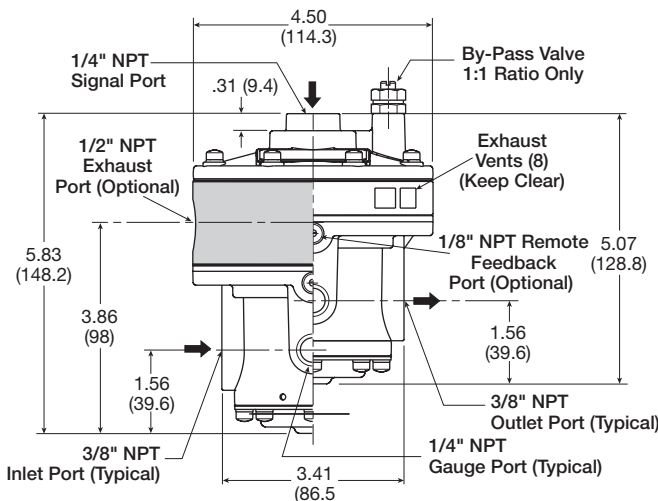
| | |
|---------------------------------|--------------------|
| 1:1 ratio | PS19549-1 |
| 1:1 ratio w/ tapped exhaust | PS19549-1E |
| 1:3 ratio | PS19549-3 |
| 1:2 ratio | PS19549-2 |
| 1:1 w/ tapped exhaust, I option | PS19549-20E |

⚠ WARNING

Product rupture can cause serious injury. Do not connect regulator to bottled gas. Do not exceed Maximum primary pressure rating.

CAUTION:

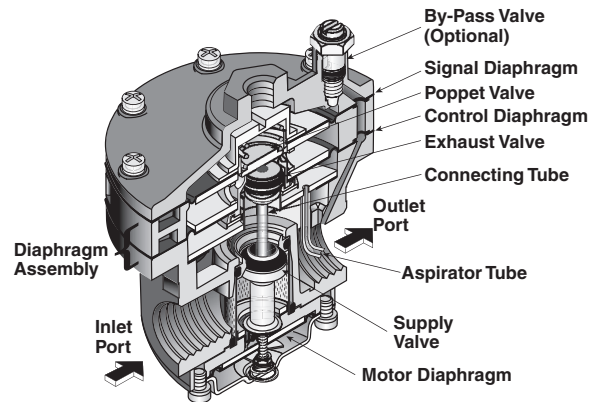
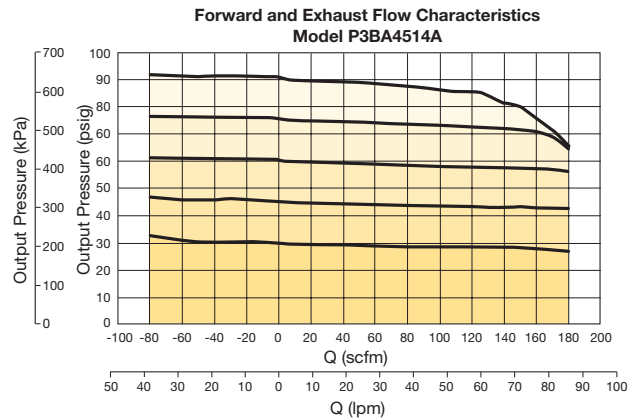
REGULATOR PRESSURE ADJUSTMENT – The working range of knob adjustment is designed to permit outlet pressures within their full range. Pressure adjustment beyond this range is also possible because the knob is not a limiting device. This is a common characteristic of most industrial regulators, and limiting devices may be obtained only by special design. For best performance, regulated pressure should always be set by increasing the pressure up to the desired setting.



Inches (mm)

Flow Charts

P3BA45 1/2" & 3/4" Input Signal Amplifier



Operating Principles

When signal pressure on the top of the Signal Diaphragm creates a downward force on the Diaphragm Assembly, the Supply Valve opens. Output pressure flows through the Outlet Port and the Aspirator Tube to the Control Chamber to create an upward force on the bottom of the Control Diaphragm. When the setpoint is reached, the force of the signal pressure that acts on the top of the Signal Diaphragm balances with the force of the output pressure that acts on the bottom of the Control Diaphragm to close the Supply Valve.

When the output pressure increases above the signal pressure, the Diaphragm Assembly moves upward to close the Supply Valve and open the Exhaust Valve. Because the Poppet Valve is closed, pressure flows down the Connecting Tube to the bottom of the Motor Diaphragm. This pressure keeps the Supply Valve tightly closed while in the exhaust mode. The Poppet Valve opens and excess output pressure exhausts through the vent in the side of the unit until it reaches the setpoint.



For inventory, lead times, and kit lookup, visit www.pdnplu.com

K103

Parker Hannifin Corporation
Pneumatic Division
Richland, Michigan
www.parker.com/pneumatics

General

Dial

Pilot

Proportional

Precision

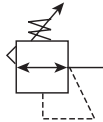
Water

K

Regulator Products

20R Regulators – Miniature Water

- Rugged brass body for water service
- Unbalanced poppet standard
- Diaphragm operated for fast response
- Non-rising adjusting knob
- Compact, 3.06 inch (77.79mm) high by 1.56 inch (36.69mm) wide.
- High Flow: 1.25 GPM
- 1/8", 1/4" ports (NPT, BSPP)



Operating information

| | |
|---------------------------|-------------------------------|
| Supply pressure (max): | 0 to 300 psig (0 to 20.7 bar) |
| Secondary pressure ranges | |
| Standard | 2 to 125 psig (0 to 8.6 bar) |
| Medium | 1 to 60 psig (0 to 4.1 bar) |
| Medium | 1 to 25 psig (0 to 1.7 bar) |
| Operating temperature: | 32°F to 125°F (0°C to 52°C) |
| High flow: | 1.25 GPM |
| Gauge ports (2): | 1/8 inch |
| Weight: | 0.5 lb (0.23 kg) |

| Port Size | Description | Part Number |
|-----------|---------------|-----------------|
| 1/8" | Without gauge | 20R013GC |
| 1/4" | Without gauge | 20R113GC |

NOTE: 1.25 Dia. (31.8 mm) hole required for panel mounting.

Ordering Information:

| | | | | | |
|------------------|----------|-----------------------|----------|--------------------------|------------------|
| 20R | 1 | 13 | G | C | |
| Port Size | | | | | Port Type |
| 1/8 inch | 0 | | | | Blank NPT |
| 1/4 inch | 1 | | | | 1 BSPP |
| | | Pressure Range | | Engineering Level | |
| | | 25 psig | 11 | C | Current |
| | | 125 psig | 13 | | |
| | | 60 psig | 61 | | |
| | | | | Relief | |
| | | | | F | Relieving |
| | | | | G | Non-Relieving |

Most popular.



For inventory, lead times, and kit lookup, visit www.pdnplu.com

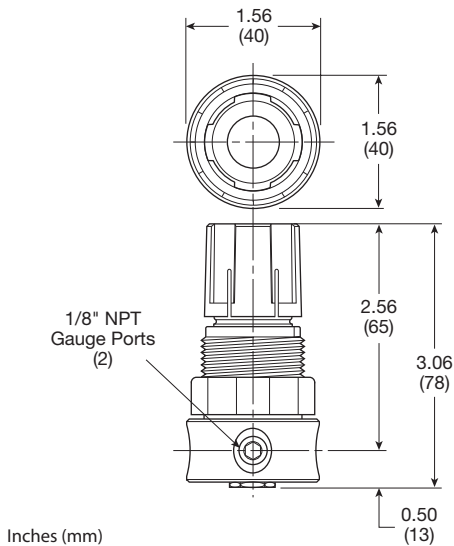
Miniature Water Regulators

Material Specifications

| | |
|---|---------|
| Adjusting nut & stem | Steel |
| Body, valve poppet, bottom plug, diaphragm button | Brass |
| Bonnet, knob | Plastic |
| Seals, diaphragm | Buna N |
| Springs | Steel |

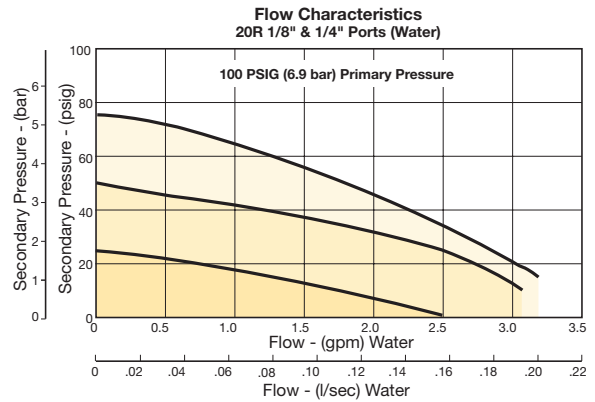
Repair and Service Kits

| | |
|---------------------------|-----------------|
| Bonnet kit | PCKR364Y |
| Bonnet tamperproof kit | PCKR364T |
| Panel mount nut, aluminum | R05X51-A |
| Panel mount nut, plastic | R05X51-P |
| Mounting bracket kit | SA161X57 |
| Relieving | PRKR164Y |
| Non-Relieving | PRKR163Y |



Air Preparation Products Regulator Products

Flow Charts



⚠ WARNING

**Product rupture can cause serious injury.
Do not connect regulator to bottled gas.
Do not exceed Maximum primary pressure rating.**

CAUTION:

REGULATOR PRESSURE ADJUSTMENT – The working range of knob adjustment is designed to permit outlet pressures within their full range. Pressure adjustment beyond this range is also possible because the knob is not a limiting device. This is a common characteristic of most industrial regulators, and limiting devices may be obtained only by special design. For best performance, regulated pressure should always be set by increasing the pressure up to the desired setting.

General

Dial

Pilot

Proportional

Precision

Water

K

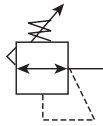
Regulator
Products



R24 Regulators – Miniature Water

Water service

- Constructed with a combination of N.S.F. and F.D.A. compliant materials
- Lightweight plastic body
- Unbalanced poppet standard
- Non-rising, push-to-lock adjusting knob
- Compact, 3.10 Inch (79mm) high by 1.60 Inch (41mm) wide
- Lightweight
- Diaphragm operated
- 1/8", 1/4" ports (NPT)



| Port Size | Description | Part Number |
|-----------|--|-----------------|
| 1/8" | Non-Relieving, 0-125 Reduced Pressure, Without Gauge | R24-01CK |
| 1/4" | Non-Relieving, 0-125 Reduced Pressure, Without Gauge | R24-02CK |

NOTE: 1.250 Dia. (31.8 mm) hole required for panel mounting.

Operating information

| | |
|------------------------|---|
| Supply pressure (max): | Inlet 150 psig (10.0 bar) |
| Operating temperature: | 40°F to 125°F (4°C to 52°C) |
| Gauge ports (2): | 1/8 inch (can be used for full flow) |
| Weight: | 0.25 lb (0.11 kg) |

Ordering Information:

R24 - 02 C K

| | | | |
|------------------------------------|--|---|---|
| Type EPDM Elastomers R25 | Port Size 1/8 inch 01 1/4 inch 02 | Pressure Range A 0 to 25 psig (0 to 2 bar) B 0 to 60 psig (0 to 4 bar) C 0 to 125 psig (0 to 8 bar) | Relief K Non-Relieving P Panel Mount Nut |
|------------------------------------|--|---|---|

Most popular.



For inventory, lead times, and kit lookup, visit www.pdnplu.com

K106

Parker Hannifin Corporation
Pneumatic Division
Richland, Michigan
www.parker.com/pneumatics

Miniature Water Regulators

Material Specifications

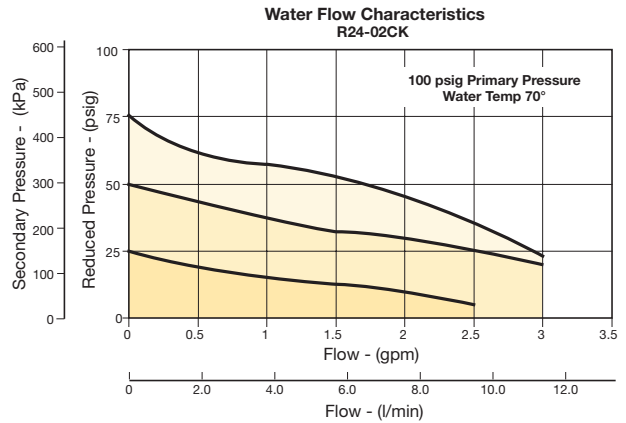
| | |
|-----------------|-----------------|
| Adjusting screw | Steel |
| Body | Acetal |
| Bonnet and seat | Acetal |
| Diaphragm | EPDM |
| Seals | EPDM |
| Springs | Stainless steel |
| Valve poppet | EPDM |

Repair and Service Kits

| | |
|--------------------------|------------------|
| Panel mount nut, plastic | R05X51-P |
| Mounting bracket and nut | SA161X57 |
| Relieving (EPDM) | RKR24Y |
| Non-Relieving (EPDM) | RKR24KY |
| 0-25 psig spring | SPR-375-1 |
| 0-60 psig spring | SPR-376 |
| 0-125 psig spring | SPR-377 |
| Tamperproof kit | CKR364T |

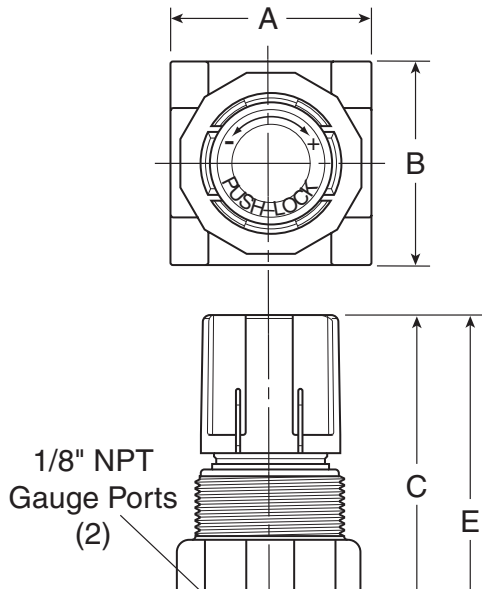
Air Preparation Products Regulator Products

Flow Charts



WARNING
Product rupture can cause serious injury.
Do not connect regulator to bottled gas.
Do not exceed Maximum primary pressure rating.

CAUTION:
REGULATOR PRESSURE ADJUSTMENT – The working range of knob adjustment is designed to permit outlet pressures within their full range. Pressure adjustment beyond this range is also possible because the knob is not a limiting device. This is a common characteristic of most industrial regulators, and limiting devices may be obtained only by special design. For best performance, regulated pressure should always be set by increasing the pressure up to the desired setting.



General

Dial

Pilot

Proportional

Precision

Water

K

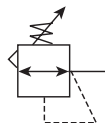
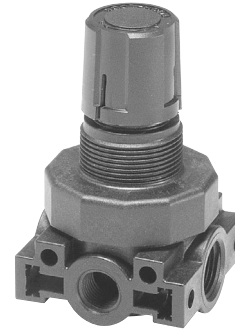
Regulator Products



R46 Regulators – Miniature Water

Water service

- Constructed with a combination of N.S.F. and F.D.A. compliant materials
- Lightweight plastic body
- Unbalanced poppet standard
- Non-rising, push-to-lock adjusting knob
- Compact, 3.43 inch (87.1mm) high by 2.06 inch (52.3mm) wide
- Lightweight
- Diaphragm operated
- 1/4", 3/8" ports (NPT)



Operating information

| | |
|------------------------|---|
| Supply pressure (max): | Inlet 150 psig (10.0 bar) |
| Operating temperature: | 40°F to 125°F (4°C to 52°C) |
| Gauge ports (2): | 1/4 inch (can be used for full flow) |
| Weight: | 0.38 lb (0.17 kg) |

| Port Size | Description | Part Number |
|-----------|--|-----------------|
| 1/4" | Non-Relieving, 0-125 Reduced Pressure, Without Gauge | R46-02CK |
| 3/8" | Non-Relieving, 0-125 Reduced Pressure, Without Gauge | R46-03CK |

NOTE: 1.250 Dia. (31.8 mm) hole required for panel mounting.

Ordering Information:

R46 - 02 C

| | | |
|------------------------------------|---|---|
| Type EPDM Elastomers R46 | Port Size 1/4 inch 02 3/8 inch 03 | Relief K Non-Relieving P Panel Mount Nut |
| | Pressure Range A 0 to 25 psig (0 to 2 bar) B 0 to 60 psig (0 to 4 bar) C 0 to 125 psig (0 to 8 bar) | |

 Most popular.



For inventory, lead times, and kit lookup, visit www.pdnplu.com

K108

Parker Hannifin Corporation
Pneumatic Division
Richland, Michigan
www.parker.com/pneumatics

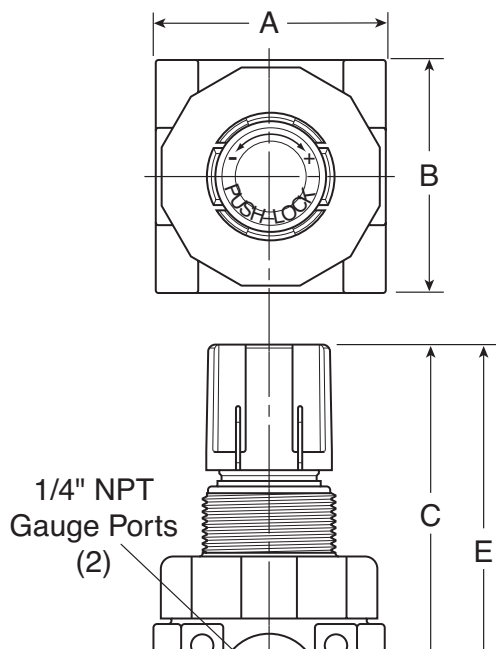
Miniature Water Regulators

Material Specifications

| | |
|-----------------|-----------------|
| Adjusting screw | Steel |
| Body | Acetal |
| Bonnet and seat | Acetal |
| Diaphragm | EPDM |
| Seals | EPDM |
| Springs | Stainless steel |
| Valve Poppet | EPDM |

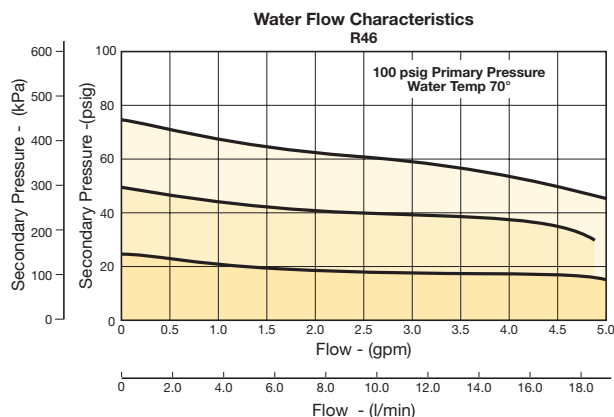
Repair and Service Kits

| | |
|--------------------------|-----------------|
| Panel mount nut, plastic | R05X51-P |
| Mounting bracket and nut | SA161X57 |
| Relieving | RKR45Y |
| Non-Relieving | RKR45KY |
| 0-25 psig spring | SPR-46 |
| 0-60 psig spring | SPR-47 |
| 0-125 psig spring | SPR-48 |



Air Preparation Products Regulator Products

Flow Charts



⚠ WARNING

**Product rupture can cause serious injury.
Do not connect regulator to bottled gas.
Do not exceed Maximum primary pressure rating.**

CAUTION:

REGULATOR PRESSURE ADJUSTMENT – The working range of knob adjustment is designed to permit outlet pressures within their full range. Pressure adjustment beyond this range is also possible because the knob is not a limiting device. This is a common characteristic of most industrial regulators, and limiting devices may be obtained only by special design. For best performance, regulated pressure should always be set by increasing the pressure up to the desired setting.

General

Dial

Pilot

Proportional

Precision

Water

K

Regulator
Products

K

Regulator
Products



For inventory, lead times, and kit lookup, visit www.pdnplu.com

K110

Parker Hannifin Corporation
Pneumatic Division
Richland, Michigan
www.parker.com/pneumatics

Air Preparation Products
Bulk Liquid Separators

P3TF

L2-L5



P3TF Bulk Liquid Separators

- Tested in accordance with ISO 8573.9
- High liquid removal efficiencies at all flow conditions
- Low pressure losses for low operational costs
- Suitable for variable flow compressors
- Low maintenance
- External surface epoxy painted for maximum corrosion resistance
- 1/4" to 3" ports (NPT, BSPP)

Applications

- Bulk liquid removal at any point in a compressed air system
- Protection of refrigeration and heatless regenerative desiccant dryers
- Liquid removal from compressor Inter-coolers / after-coolers
- Liquid separation within refrigeration dryers
- Pre-filtration



| Pipe Size | Part Number (NPT) |
|-----------|--------------------|
| 1/4" | P3TFA92WAAN |
| 3/8" | P3TFA93WBAN |
| 1/2" | P3TFA94WCAN |
| 3/4" | P3TFA96WDAN |
| 1" | P3TFA98WEAN |
| 1-1/2" | P3TFA9BVGAN |
| 2" | P3TFA9CWHAN |
| 3" | P3TFA9EWKAN |

Pressure differential at rated flow ... 1.0 psid (0.07 bar)
 Stated flows are for operation at 102 psig (7 bar) with reference to 68°F (20°C), 1 bar (a), 0% relative water vapor pressure.

Operating information

| | | | | | | | | | | | |
|--------------------------------------|---|------|------------------|------------|------------------|----------|--------------------|------------|--------------------|----|---------------------|
| Operating pressure (max): | 232 psig (16 bar) | | | | | | | | | | |
| Operating temperature: | 35°F to 176°F (1.5°C to 80°C) | | | | | | | | | | |
| Pressure differential at rated flow: | 1.0 psid (0.07 bar) | | | | | | | | | | |
| Flow: | <table border="0"> <tr> <td>1/4"</td> <td>21 scfm (10 L/s)</td> </tr> <tr> <td>3/8", 1/2"</td> <td>85 scfm (40 L/s)</td> </tr> <tr> <td>3/4", 1"</td> <td>233 scfm (110 L/s)</td> </tr> <tr> <td>1-1/2", 2"</td> <td>742 scfm (350 L/s)</td> </tr> <tr> <td>3"</td> <td>1695 scfm (800 L/s)</td> </tr> </table> | 1/4" | 21 scfm (10 L/s) | 3/8", 1/2" | 85 scfm (40 L/s) | 3/4", 1" | 233 scfm (110 L/s) | 1-1/2", 2" | 742 scfm (350 L/s) | 3" | 1695 scfm (800 L/s) |
| 1/4" | 21 scfm (10 L/s) | | | | | | | | | | |
| 3/8", 1/2" | 85 scfm (40 L/s) | | | | | | | | | | |
| 3/4", 1" | 233 scfm (110 L/s) | | | | | | | | | | |
| 1-1/2", 2" | 742 scfm (350 L/s) | | | | | | | | | | |
| 3" | 1695 scfm (800 L/s) | | | | | | | | | | |
| Weight: | <table border="0"> <tr> <td>1/4"</td> <td>1.3 lb (0.6 kg)</td> </tr> <tr> <td>3/8", 1/2"</td> <td>2.4 lb (1.1 kg)</td> </tr> <tr> <td>3/4", 1"</td> <td>4.8 lb (2.2 kg)</td> </tr> <tr> <td>1-1/2", 2"</td> <td>11.2 lb (5.1 kg)</td> </tr> <tr> <td>3"</td> <td>22.0 lb (10.0 kg)</td> </tr> </table> | 1/4" | 1.3 lb (0.6 kg) | 3/8", 1/2" | 2.4 lb (1.1 kg) | 3/4", 1" | 4.8 lb (2.2 kg) | 1-1/2", 2" | 11.2 lb (5.1 kg) | 3" | 22.0 lb (10.0 kg) |
| 1/4" | 1.3 lb (0.6 kg) | | | | | | | | | | |
| 3/8", 1/2" | 2.4 lb (1.1 kg) | | | | | | | | | | |
| 3/4", 1" | 4.8 lb (2.2 kg) | | | | | | | | | | |
| 1-1/2", 2" | 11.2 lb (5.1 kg) | | | | | | | | | | |
| 3" | 22.0 lb (10.0 kg) | | | | | | | | | | |

P3TF Series

Bulk Liquid Separators

Ordering Information:

| P3TF | A | 9 | 2WA | A | N | | | | | | | | | | | | | | | | |
|--------------------------|---------------------|--|---|--------------------|---|-----|------|---|------|-----|---------------------|-----|------|-----|----|-----|--------|-----|----|-----|----|
| Engineering Level | | Thread Type | | Drains Type | | | | | | | | | | | | | | | | | |
| Current | | <table border="1"> <tr> <td>BSPP</td> <td>2</td> </tr> <tr> <td>NPT</td> <td>9</td> </tr> </table> | | BSPP | 2 | NPT | 9 | <table border="1"> <tr> <td>A*</td> <td>Auto Internal Float</td> </tr> </table> <p>* Models are supplied with auto drain as standard.</p> | | A* | Auto Internal Float | | | | | | | | | | |
| BSPP | 2 | | | | | | | | | | | | | | | | | | | | |
| NPT | 9 | | | | | | | | | | | | | | | | | | | | |
| A* | Auto Internal Float | | | | | | | | | | | | | | | | | | | | |
| | | | Port Size | | | | | | | | | | | | | | | | | | |
| | | | <table border="1"> <tr> <td>2WA</td> <td>1/4"</td> </tr> <tr> <td>3WB</td> <td>3/8"</td> </tr> <tr> <td>4WC</td> <td>1/2"</td> </tr> <tr> <td>6WD</td> <td>3/4"</td> </tr> <tr> <td>8WE</td> <td>1"</td> </tr> <tr> <td>BVG</td> <td>1-1/2"</td> </tr> <tr> <td>CWH</td> <td>2"</td> </tr> <tr> <td>EWK</td> <td>3"</td> </tr> </table> | | | 2WA | 1/4" | 3WB | 3/8" | 4WC | 1/2" | 6WD | 3/4" | 8WE | 1" | BVG | 1-1/2" | CWH | 2" | EWK | 3" |
| 2WA | 1/4" | | | | | | | | | | | | | | | | | | | | |
| 3WB | 3/8" | | | | | | | | | | | | | | | | | | | | |
| 4WC | 1/2" | | | | | | | | | | | | | | | | | | | | |
| 6WD | 3/4" | | | | | | | | | | | | | | | | | | | | |
| 8WE | 1" | | | | | | | | | | | | | | | | | | | | |
| BVG | 1-1/2" | | | | | | | | | | | | | | | | | | | | |
| CWH | 2" | | | | | | | | | | | | | | | | | | | | |
| EWK | 3" | | | | | | | | | | | | | | | | | | | | |

Most popular.



For inventory, lead times, and kit lookup, visit www.pdnplu.com

L2

Parker Hannifin Corporation
 Pneumatic Division
 Richland, Michigan
www.parker.com/pneumatics

Inlet air pressure correction

| | | | | | | | | | | | | | | | | |
|--------|------|------|------|------|------|------|------|------|------|------|------|------|------|------|------|------|
| psi | 15 | 29 | 44 | 58 | 73 | 87 | 100 | 116 | 131 | 145 | 160 | 174 | 189 | 203 | 218 | 232 |
| bar | 1 | 2 | 3 | 4 | 5 | 6 | 7 | 8 | 9 | 10 | 11 | 12 | 13 | 14 | 15 | 16 |
| Factor | 4.00 | 2.63 | 2.00 | 1.59 | 1.33 | 1.14 | 1.00 | 0.94 | 0.89 | 0.85 | 0.82 | 0.79 | 0.76 | 0.73 | 0.71 | 0.68 |

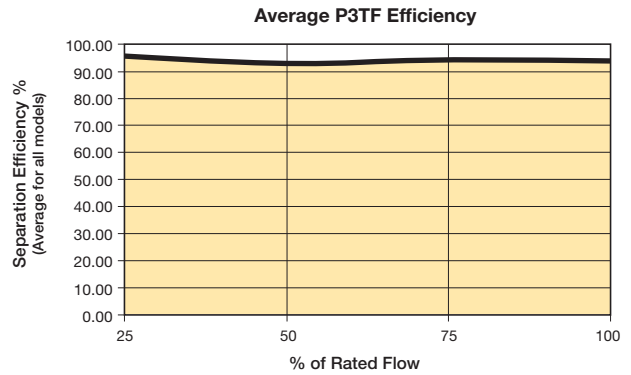
Material Specifications

| | |
|-----------------------|--------------|
| Automatic float drain | Plastic |
| Housing / bowl | Aluminum |
| Seals | Fluorocarbon |

Repair and Service Kits

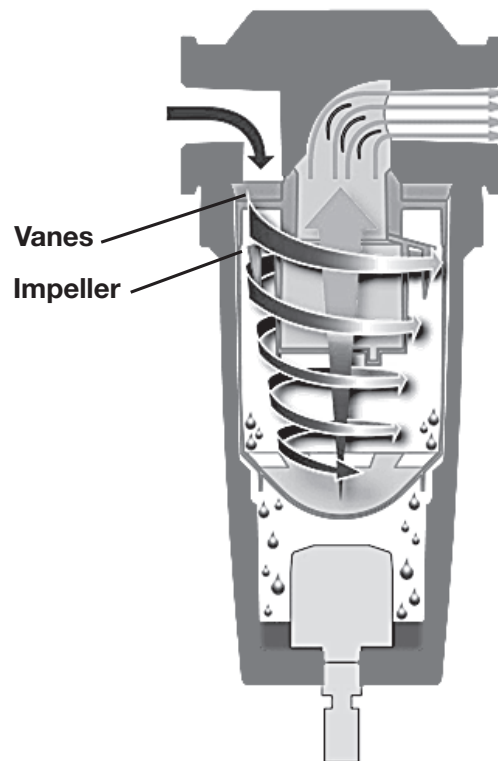
| | |
|-----------|------------|
| Drain kit | EFI |
|-----------|------------|

Flow



Operation

- Air enters the bulk liquid separator inlet and turns into the separator module.
- The inlet of the separator module contains a set of fixed vanes which the air must pass through.
- The vanes force the air to spin inside the vessel.
- The spinning air is then forced to change direction as it passes the impeller.
- A vortex is created which, due to the design of the separator module, narrows and intensifies as it reaches the lower part of the separator module.
- Bulk liquid is removed from the airstream due to:
 - directional changes of the airstream
 - velocity changes
 - centrifugal action of the vortex
- As the vortex reaches the bottom of the module, air is forced through the center of the vortex.
- Aerospace turning vanes, located in the outlet of the separator module, turn an inefficient corner into a number of more efficient corners.
- Turning vanes reduce turbulence, minimizing pressure loss and cost of ownership.
- The number of vanes required is dependent upon the conduit diameter.



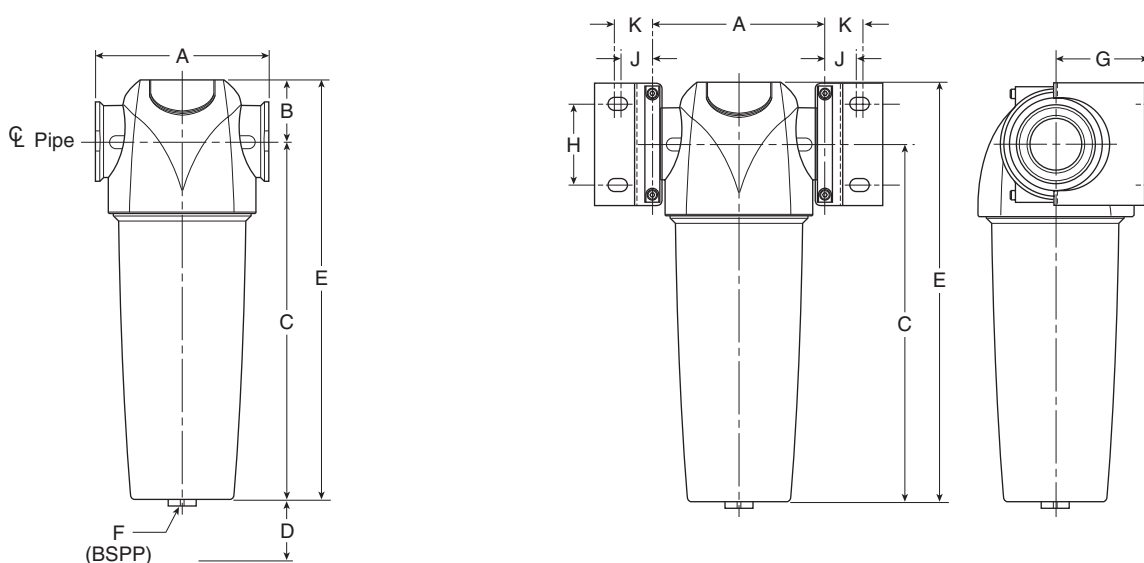
P3TF Series

Bulk Liquid Separators

Bulk Liquid Separators

Bulk Liquid Separator

P3TF (Bulk Liquid Separator)



Dimensions

| Part Number | Pipe size | A | B | C | D | E | BSPP F | G | H | J | K | Wall Mounting Bracket Kit |
|-------------|-----------|----------------|----------------|------------------|---------------|------------------|--------|---------------|---------------|----------------|----------------|---------------------------|
| P3TFA92WAAN | 1/4" | 3.00 (76) | 1.12 (28.5) | 6.02 (153) | 1.58 (40) | 7.15 (181.5) | 1/2 | 2.05 (50) | 1.18 (30) | 0.71 (18) | 0.96 (24.5) | P3TKA00MWA |
| P3TFA93WBAN | 3/8" | 3.83 (97.5) | 1.34 (34) | 7.91 (201) | 1.97 (50) | 9.25 (235) | 1/2 | 2.36 (60) | 1.57 (40) | 0.81 (20.5) | 1.00 (25.5) | P3TKA00MWB |
| P3TFA94WCAN | 1/2" | 3.83 (97.5) | 1.34 (34) | 7.91 (201) | 1.97 (50) | 9.25 (235) | 1/2 | 2.36 (60) | 1.57 (40) | 0.81 (20.5) | 1.00 (25.5) | P3TKA00MWB |
| P3TFA96WDAN | 3/4" | 5.07 (129) | 1.67 (42.5) | 9.20 (232.5) | 2.76 (70) | 10.80 (275) | 1/2 | 2.68 (68) | 2.36 (60) | 0.91 (23) | 1.10 (28) | P3TKA00MWD |
| P3TFA98WEAN | 1" | 5.07 (129) | 1.67 (42.5) | 12.68 (322) | 2.76 (70) | 14.35 (364.5) | 1/2 | 2.68 (68) | 2.36 (60) | 0.91 (23) | 1.10 (28) | P3TKA00MWD |
| P3TFA9BWGAN | 1-1/2" | 6.70 (170) | 1.97 (50) | 18.68 (474.5) | 3.94 (100) | 20.64 (524.5) | 1/2 | 3.62 (92) | 3.31 (84) | 1.26 (32) | 1.54 (39) | P3TKA00MWF |
| P3TFA9CWHAN | 2" | 6.70 (170) | 1.97 (50) | 18.68 (474.5) | 3.94 (100) | 20.64 (524.5) | 1/2 | 3.62 (92) | 3.31 (84) | 1.26 (32) | 1.54 (39) | P3TKA00MWF |
| P3TFA9EWKAN | 3" | 8.07 (205) | 2.36 (60) | 30.39 (772) | 4.72 (120) | 32.76 (832) | 1/2 | 5.31 (135) | 3.94 (100) | 1.40 (35.5) | 1.67 (42.5) | P3TKA00MWJ |

Inches (mm)

Wall Mounting Bracket Kit

Mounting brackets provide additional support to filters installed in flexible piping systems or OEM equipment.



For inventory, lead times, and kit lookup, visit www.pdnplu.com

Bulk Liquid Separators

P3TF Bulk Liquid Separators

- Designed in accordance with ASME and CRN
- High liquid removal efficiencies at all flow conditions
- Suitable for variable flow compressors
- Works with all types of compressor and compressor condensate
- External surface epoxy painted for maximum corrosion resistance
- 4" & 6" flange*
- Auto float drain standard, shipped loose



P3TF Series

| Port Size | Part Number |
|-----------|--------------------|
| 4" Flange | P3TFAFFW2AN |
| 6" Flange | P3TFAFGW3AN |

* 150# Flange

Operating information

| | |
|------------------------|---|
| Operating Pressure: | 15 to 232 psi (1 to 232 bar) |
| Operating Temperature: | 35°F to 140°F (1.5°C to 60°C) |
| Flow capacity †: | 4" 2100 scfm (991.1 dm ³ /s, ANR) 6" 3780 scfm (1783.9 dm ³ /s, ANR) |
| Weight: | 4" 180 lb (81.6 kg) 6" 257 lb (116.6 kg) |

† Stated flows at 100 psi (7 bar), 68°F (20°C), 0% relative water vapor pressure.

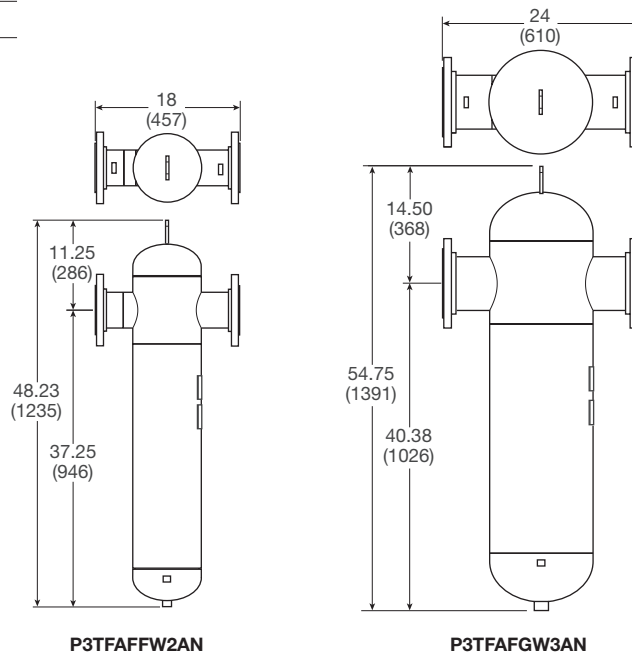
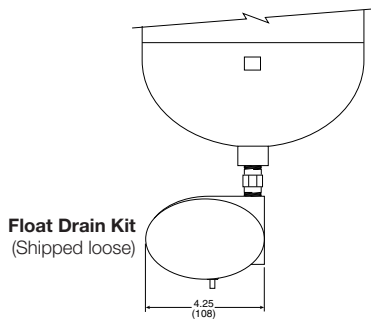
Material specifications

| | |
|-----------|--------------|
| Baffle | Plated steel |
| Body | Steel |
| Deflector | Plated steel |
| Seals | Fluorocarbon |
| Stud | Plated steel |

Repair and Service Kits

Auto float drain kit - 1/2" NPT

HDF-120-NPT-A



 Most popular.



For inventory, lead times, and kit lookup, visit www.pdnplu.com



Bulk Liquid
Separators



For inventory, lead times, and kit
lookup, visit www.pdnplu.com

Air Preparation Products
Dryer Series

| | |
|-------------------------|--------|
| SPE / DRD Refrigeration | M2-M5 |
| DD Disposable | M6 |
| DD Inline Desiccant | M7-M8 |
| TW Heatless Desiccant | M9-M12 |



SPE / DRD Refrigeration Dryer Series



Refrigeration
 Disposable
 Desiccant
 Regenerative Desiccant
 Heatless Desiccant
 Dryers
M

SPE010 - SPE0250

- “Plug & Play” design for easy installation and operation
- Small space saving design
- High reliability, easy to use and maintain
- All models equipped standard with a digital controller
 - controls integral timed drain
 - various warning and alarms
 - on/off indicator
- Drain has access from both sides
- Non cycling dryer

DRD325 - DRD2400

- Optimum dewpoint levels for highest system performance
- Advanced patented design solutions
- High reliability, easy to use and maintain
- Unique 4-in-1 SmartPack heat exchanger
- Integral drain
- Extremely low pressure drop design
- SmartControl energy saving function (cycling dryer)
- Excellent dewpoint performances
- Advanced compliant scroll compressor

| Capacity SCFM @ 100 psig (m ³ /min @ 6.9 bar) | Primary Voltage | Part Number | Pipe Size (NPT) † | Recommended Filtration | | |
|--|----------------------------------|---|-------------------------|------------------------|----------------------------------|--|
| | | | | Bulk Separator | Pre-Filter (5µ particulate)** | Post-Filter (.01µ coalescing w DPI) |
| 10 (17) | 115V/1 ph / 60 Hz | SPE010-A11516016TIU | 1/2" | P3TFA94WCAN | P32FB94QSAN * | P32FB94DSAN |
| 15 (26) | 115V/1 ph / 60 Hz | SPE015-A11516016TIU | 1/2" | P3TFA94WCAN | P32FB94QSAN * | P32FB94DSAN |
| 25 (43) | 115V/1 ph / 60 Hz | SPE025-A11516016TIU | 1/2" | P3TFA94WCAN | P32FB94QSAN * | P32FB94DSAN |
| 35 (60) | 115V/1 ph / 60 Hz | SPE035-A11516016TIU | 3/4" | P3TFA96WDAN | P33FA96QSAN * | P33FA96DSAN |
| 50 (85) | 115V/1 ph / 60 Hz | SPE050-A11516016TIU | 3/4" | P3TFA96WDAN | P33FA96QSAN * | P33FA96DSAN |
| 75 (127) | 115V/1 ph / 60 Hz | SPE075-A11516016TIU | 1" | P3TFA98WEAN | P3YFA98ESAN | P3YFA98DSAN |
| 100 (170) | 115V/1 ph / 60 Hz | SPE0100-A11516016TIU | 1" | P3TFA98WEAN | P3YFA98ESAN | P3YFA98DSAN |
| 125 (212) | 115V/1 ph / 60 Hz | SPE0125-A11516016TIU | 1" | P3TFA98WEAN | P3YFA98ESAN | P3YFA98DSAN |
| 150 (255) | 115V/1 ph / 60 Hz | SPE0150-A11516016TIU | 1-1/2" | P3TFA9BWWGAN | P3NFA9PGSA † | P3NFA9PDSA |
| 175 (297) | 115V/1 ph / 60 Hz | SPE0175-A11516016TIU | 1-1/2" | P3TFA9BWWGAN | 35F77BAP | 35F77EAP |
| 175 (297) | 230 V/1 ph / 60 Hz | SPE0175-A23016016TIU | 1-1/2" | P3TFA9BWWGAN | 35F77BAP | 35F77EAP |
| 200 (340) | 230 V/1 ph / 60 Hz | SPE0200-A23016014TIU | 1-1/2" | P3TFA9BWWGAN | 35F77BAP | 35F77EAP |
| 250 (425) | 230 V/1 ph / 60 Hz | SPE0250-A23016014TIU | 1-1/2" | P3TFA9BWWGAN | 35F77BAP | 35F77EAP |
| 325 (552) | 230V/3ph/60Hz & 460V/3ph/60Hz | DRD325-A23036014EI DRD325-A46036014EI | 2" NPT-F | P3TFA9CWHAN | 35F87BAP | 35F87EAP |
| 400 (680) | 230V/3ph/60Hz & 460V/3ph/60Hz | DRD400-A23036014EI DRD400-A46036014EI | 2" NPT-F | P3TFA9CWHAN | 35F87BAP | 35F87EAP |
| 500 (849) | 230V/3ph/60Hz & 460V/3ph/60Hz | DRD500-A23036014EI DRD500-A46036014EI | 2" NPT-F | P3TFA9CWHAN | 35F87BAP | 35F87EAP |
| 700 (1189) | 230V/3ph/60Hz & 460V/3ph/60Hz | DRD700-A23036014EI DRD700-A46036014EI | 3" NPT-M | P3TFA9EWKAN | 43FN7BAP | 43FN7EAP |
| 800 (1359) | 230V/3ph/60Hz & 460V/3ph/60Hz | DRD800-A23036014EI DRD800-A46036014EI | 3" NPT-M | P3TFA9EWKAN | 43FN7BAP | 43FN7EAP |
| 1000 (1700) | 460V/3ph/60Hz | DRD1000-A46036014EI | 3" NPT-M | P3TFA9EWKAN | 43FN7BAP | 43FN7EAP |
| 1200 (2039) | 460V/3ph/60Hz | DRD1200-A46036014EI | 3" NPT-M | P3TFA9EWKAN | 43FN7BAP | 43FN7EAP |
| 1600 (2718) | 460V/3ph/60Hz | DRD1600-A46036014EI | 4" Flg. | P3TFAFFW2AN | P3TFAFFQ2AN* | P3TFAFFD2AN |
| 2000 (3400) | 460V/3ph/60Hz | DRD2000-A46036014EI | 6" Flg. | P3TFAFGW3AN | P3TFAFGQ3AN* | P3TFAFGD3AN |
| 2400 (4078) | 460V/3ph/60Hz | DRD2400-A46036014EI | 6" Flg. | P3TFAFGW3AN | P3TFAFGQ3AN* | P3TFAFGD3AN |

† SPE010-025 are 1/2" NPT compatible. SPE035-0250 are manufactured with BSPP-F ports, but come standard with BSP to NPT adapter.

* 1µ coalescing

† 40 micron

 Most popular.



For inventory, lead times, and kit lookup, visit www.pdnplu.com

Refrigeration Dryers

The importance of compressed air as a provider of energy for modern industrial processes is widely known. What is often overlooked however is the need to provide quality treatment for this air.

In fact, the air entering the system contains condensate which, when cooled, will turn into liquid water, causing extensive damage not only to the compressed air network, but also to the finished product.

DRD refrigeration dryers actively remove this condensate to achieve extremely dry compressed air.

Our SmartPack heat exchanger offers minimal pressure drops and class leading performance, and significantly increases the efficiency of the whole compressed air treatment process. The innovative SmartControl function automatically and continuously adjusts dryer operation to the effective working conditions, minimizing operating costs and maximizing performances.

Compressed air purification equipment must deliver uncompromising performance and reliability while providing the right balance of air quality with the lowest cost of operation. Many manufacturers offer products for the filtration and purification of contaminated compressed air, which are often selected only upon their initial purchase cost, with little or no regard for the air quality they provide, the cost of operation throughout their life or their environmental impact. When purchasing purification equipment, delivered air quality, the overall cost of ownership and the equipment's environmental impact must always be considered.

Smart technology: the benefits

SmartPack heat exchanger provides less than 2 PSI pressure drop

The SmartPack (patent pending) heat exchanger features an extremely robust, all-in-one aluminum design, with no interconnecting tubing.

The geometry of the heat exchanger has been designed in order to optimize its performances. In particular, large volumes allow low air velocity through the heat exchanger section, resulting in high exchange efficiency and low pressure drops. Pressure drops are further improved thanks to the absence of interconnecting pipes through the different sections of the heat exchanger and to a straight forward path of the compressed air flow with smooth and minimum changes of flow directions.

Smart BMS interface

- Simple BMS interface includes:
- RS485 serial card provides direct communication to Modbus. Requires no gateway or A.N.I.
- Provides visualization of dewpoint, alarm conditions and service indication
- Provides remote control of the dryer including on/off and alarm reset (depending on actual alarm)

Air Preparation Products Dryers



SmartDrain - Dual mode zero air loss drain

The drainage chamber is integrated into the heat exchanger while the valve mechanism is fitted in an easily accessible drain niche. The SmartDrain continuously adjusts itself to the actual working conditions, ensuring zero air loss and a notable reduction in system power consumption.

An innovative control system continuously monitors for fault situations. If a fault does occur, an alarm is signaled and the drain switches to conventional timed solenoid drain operation. The dual mode circuitry ensures maximum reliability.

Smart control with SmartSave cycling

The multifunction SmartControl provides a versatile platform for user interface and SmartSave Cycling (if enabled). The innovative SmartSave (patent pending)

Cycling Control continuously monitors the demand placed on the dryer. At conditions of low demand the refrigerant compressor is cycled off to save energy. A sophisticated algorithm continuously adapts the operation of the dryer for optimum energy efficiency while minimizing the dewpoint spikes common to traditional thermal mass dryers.

Compliant scroll compressors

These units feature Compliant Scroll compressors, offering energy savings of 20 -30% when compared with piston compressors. The ability to tolerate liquid returns coupled with 50% less moving parts render them nearly indestructible and highly reliable. Low vibration levels increase overall refrigeration circuit

Refrigeration

Disposable

Desiccant

Regenerative
DesiccantHeatless
Desiccant

Dryers

M



For inventory, lead times, and kit lookup, visit www.pdnplu.com

Refrigeration Dryers

Operating information

| Dryer Models | Dewpoint | Operating pressure | | Operating temperature | | Ambient maximum | Electrical supply | Thread | Noise level bB(A) | Refrigerant type |
|-------------------|--------------------|--------------------|-------------------|-----------------------|---------------|-----------------|-------------------|--------|-------------------|------------------|
| | | Min | Max | Min | Max | | | | | |
| SPE010 - SPE050 | ISO 8573-1 Class 5 | 29 psig (2 bar) | 232 psig (16 bar) | 41°F (5°C) | 149°F (65°C) | 122°F (50°C) | 115V 1ph 60 Hz | NPT | <75 | R134a |
| SPE075 - SPE0175 | | | 203 psig (14 bar) | | 230 1ph 60 Hz | | | | | |
| SPE0200 - SPE0250 | | | | | | | | | | |

Controller Functions

| Dryer Models | Power on indication | Visual fault indication | Compressed air temperature | Dryer service indicator | Fault relay power loss |
|--------------|---------------------|-------------------------|----------------------------|-------------------------|------------------------|
| SPE010-0250 | X | X | X | X | X |

Quality Assurance / IP Rating / Pressure Vessel Approvals

Development/Manufacture ISO 9001 / ISO 14001
Ingress Protection Rating IP22 Indoor Use Only

Product Selection and Correction Factors

Capacities are based upon: Ambient temperature - 100°F (38°C); inlet temperature - 100°F (38°C); and working pressure - 100 psig (7 bar g)

Minimum Drying Capacity = System flow x CFIT x CFATx CFMIP

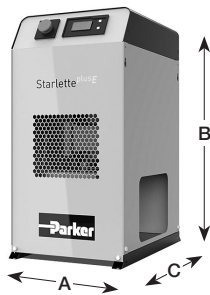
NOTE: Flowrate, temperatures, and pressure MUST be provided by customer.

Example: 50 scfm flowrate Inlet temperature - 100°F (38°C) = 1.0
Max ambient temperature - 110°F (43°C) = 1.08
Min inlet pressure - 80°F (27°C) = 1.09

50 (1.0) + 1.08 + 1.09 = 59, therefore, a larger 75 scfm dryer is required

| | SPE010 - SPE0250 | | | | | | | | | DRD325 - DRD2400 | | | | | | | | | |
|--|------------------|------|------|------|------|------|------|------|------|------------------|------|------|------|------|------|------|------|------|------|
| CFIT - Correction factor minimum inlet temperature | | | | | | | | | | | | | | | | | | | |
| °F | 90 | 95 | 100 | 110 | 120 | 130 | 140 | 149 | | | | | 90 | 100 | 110 | 120 | 130 | 140 | |
| °C | 32 | 35 | 38 | 43 | 49 | 54 | 60 | 65 | | | | | 32 | 38 | 43 | 49 | 54 | 60 | |
| Factor | 0.74 | 0.82 | 1.00 | 1.33 | 1.76 | 2.38 | 2.60 | 2.67 | | | | | 1.22 | 1.00 | 0.82 | 0.68 | 0.56 | 0.46 | |
| CFAT - Correction factor maximum ambient temperature | | | | | | | | | | | | | | | | | | | |
| °F | 60 | 70 | 80 | 90 | 95 | 100 | 110 | 120 | 122 | | | | 70 | 80 | 90 | 100 | 110 | 120 | 122 |
| °C | 16 | 21 | 27 | 32 | 35 | 38 | 43 | 49 | 50 | | | | 21 | 27 | 32 | 38 | 43 | 49 | 50 |
| Factor | 0.93 | 0.93 | 0.93 | 0.93 | 0.96 | 1.00 | 1.08 | 1.16 | 1.18 | | | | 1.22 | 1.15 | 1.05 | 1.00 | 0.94 | 0.79 | 0.71 |
| CFMIP - Correction factor minimum inlet pressure | | | | | | | | | | | | | | | | | | | |
| psig | 45 | 60 | 80 | 100 | 125 | 145 | 150 | 160 | 175 | 200 | 232 | 60 | 80 | 100 | 125 | 150 | 174 | 203 | |
| bar | 3 | 4 | 6 | 7 | 9 | 10 | 10 | 11 | 12 | 14 | 16 | 3 | 6 | 7 | 9 | 10 | 12 | 14 | |
| Factor | 1.40 | 1.17 | 1.09 | 1.00 | 0.88 | 0.83 | 0.82 | 0.81 | 0.79 | 0.75 | 0.71 | 0.83 | 0.93 | 1.00 | 1.07 | 1.12 | 1.15 | 1.18 | |

| Dimensions | Part Number | A width | B height | C depth | Weight (kg) |
|----------------|----------------------|------------|------------|------------|-------------|
| SPE010-SPE0250 | SPE010-A11516016TIU | 11.8 (300) | 20.5 (520) | 15.7 (400) | 53 (24) |
| | SPE015-A11516016TIU | 11.8 (300) | 20.5 (520) | 15.7 (400) | 53 (24) |
| | SPE025-A11516016TIU | 11.8 (300) | 20.5 (520) | 15.7 (400) | 55 (25) |
| | SPE035-A11516016TIU | 13.0 (330) | 22.8 (580) | 21.7 (550) | 77 (35) |
| | SPE050-A11516016TIU | 13.0 (330) | 22.8 (580) | 21.7 (550) | 79 (36) |
| | SPE075-A11516016TIU | 15.7 (400) | 25.6 (650) | 24.8 (630) | 101 (46) |
| | SPE0100-A11516016TIU | 15.7 (400) | 25.6 (650) | 24.8 (630) | 101 (46) |
| | SPE0125-A11516016TIU | 15.7 (400) | 25.6 (650) | 24.8 (630) | 104 (47) |
| | SPE0150-A11516016TIU | 15.7 (400) | 25.6 (650) | 24.8 (630) | 117 (53) |
| | SPE0175-A11516016TIU | 15.7 (400) | 25.6 (650) | 24.8 (630) | 121 (55) |
| | SPE0175-A23016016TIU | 15.7 (400) | 25.6 (650) | 24.8 (630) | 121 (55) |
| | SPE0200-A23016014TIU | 17.7 (450) | 33.1 (840) | 30.7 (780) | 176 (80) |
| | SPE0250-A23016014TIU | 17.7 (450) | 33.1 (840) | 30.7 (780) | 176 (80) |



Inches (mm)

Most popular.



For inventory, lead times, and kit lookup, visit www.pdnplu.com

| Dimensions | Part Number | A width | B height | C depth | Weight (kg) |
|--------------------|----------------------------|-------------|-------------|-------------|-------------|
| <p>Inches (mm)</p> | DRD325-DRD2400 | | | | |
| | DRD325-A23036014EI | 28.0 (711) | 42.0 (1067) | 41.0 (1041) | 320 (145) |
| | DRD400-A23036014EI | 28.0 (711) | 42.0 (1067) | 41.0 (1041) | 320 (145) |
| | DRD500-A23036014EI | 28.0 (711) | 42.0 (1067) | 41.0 (1041) | 342 (155) |
| | DRD700-A23036014EI | 32.0 (813) | 52.0 (1321) | 46.0 (1168) | 529 (240) |
| | DRD800-A23036014EI | 32.0 (813) | 52.0 (1321) | 46.0 (1168) | 529 (240) |
| | DRD1000-A46036014EI | 32.0 (813) | 52.0 (1321) | 46.0 (1168) | 551 (250) |
| | DRD1200-A46036014EI | 40.0 (1016) | 67.0 (1702) | 43.0 (1092) | 816 (370) |
| | DRD1600-4A6036014EI | 40.0 (1016) | 68.0 (1727) | 71.0 (1803) | 1279 (580) |
| | DRD2000-A46036014EI | 40.0 (1016) | 68.0 (1727) | 71.0 (1803) | 1477 (670) |
| | DRD2400-A46036014EI | 40.0 (1016) | 68.0 (1727) | 71.0 (1803) | 1521 (690) |

| |
|------------------------|
| Refrigeration |
| Disposable |
| Desiccant |
| Regenerative Desiccant |
| Heatless Desiccant |
| Dryers |
| M |

Most popular.



For inventory, lead times, and kit lookup, visit www.pdnplu.com

DD10 Mini Disposable Dryer

Mini disposable inline desiccant dryer – DD10

Used at the point-of-use, this disposable, mini inline desiccant dryer removes all traces of water vapor, oil vapor and dirt. It is often used directly upstream of blow guns or spray guns as final protection for critical parts blow off and paint spraying. Install in either direction; it functions in both directions.

A 40 micron, porous bronze element removes fine dirt particles, an oil removing media removes oil vapor, and desiccant beads adsorb water vapor. The see-through housing shows desiccant color change from the original orange to a green color in the desiccant beads, which indicates that the dryer needs to be replaced.

Features

- Polycarbonate material allows clear desiccant visibility
- Disposable
- Used for parts blow off
- Protection for paint guns
- Non-toxic desiccant standard
- 1/4" port (NPT)



DD10-02

Operating information

| | |
|-------------------------|---------------------------------------|
| Operating temperature: | 32°F to 130°F (0°C to 54°C) |
| Maximum | 130°F (54°C) |
| Flow capacity: | 15 scfm (7.1 dm ³ /s, ANR) |
| Pressure rating (max.): | 125 psig (8.6 bar) |
| Weight: | 2.8 oz (79.4 g) |

Installation

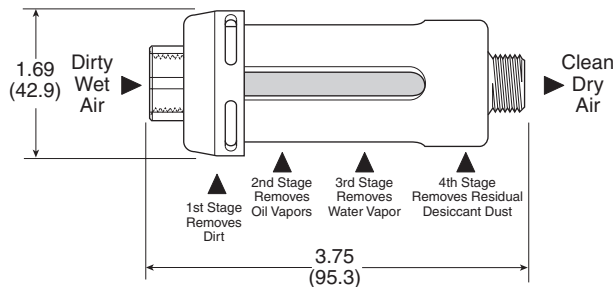
The DD10 is equipped with a 1/4" NPT (F) and (M) ports and can be installed in either direction. When installing the filter/dryer hand tighten to a leak proof seal. Do not use any mechanical means to hold the filter/dryer and do not over torque the threads.

Operation

1. The unique feature of the filter/dryer design allows you to visually see when it is time to install a new DD10 by observing the color change from the original orange color to a complete green color in the desiccant beads.
2. Do not attempt to clean the filter/dryer as the use of solvents, ketones, etc., will adversely affect the plastic housing.
3. Keep the hose free of snags. Extra tension on the filter/dryer assembly could break the unit at the connecting ports. To clear stuck hoses, grasp hose below the filter/dryer.

Non-metallic material is highly resistant to chemicals.

See through housing shows color change when dryer needs replacement.



Refrigeration
Disposable
Desiccant
Regenerative Desiccant
Heatless Desiccant
Dryers

M

DD Inline Desiccant Dryers

- Inline desiccant dryers are a convenient and cost effective means of ensuring your sensitive intermittent pneumatic applications are never exposed to damaging moisture
- Compact size for point-of-use applications
- Drying efficiency down to -40°F pressure dew point
- Easily and quickly serviced
- Sight glass in bowl to monitor desiccant
- Built-in particulate after filter prevents downstream dust
- No electricity needed
- Low pressure drop
- No purge air lost as with other dryer types
- Check valve required on inlet
- Desiccant must be ordered separately



Inline Desiccant Dryers

| Port Size | Part Number scfm / desiccant Capacity ¹ | | |
|------------------|---|---------------------|----------------------|
| | 15 scfm / 2.5 lb. | 30 scfm / 5 lbs. | 60 scfm / 10 lbs. |
| 1/4 ² | DD15-02 | | |
| 3/8 ² | DD15-03 | | |
| 1/2 ² | DD15-04 | DD30-04 | DD60-04 |
| 3/4 | DD15-06 | DD30-06 | DD60-06 |
| 1 | | DD30-08 | DD60-08 |

Notes:

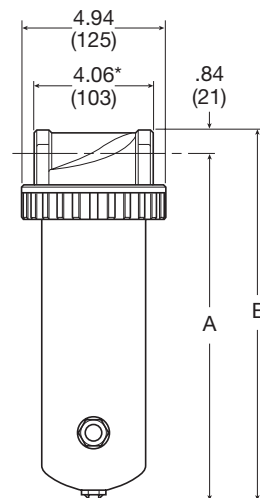
1. Desiccant must be ordered separately.
2. These units supplied with reducer bushings.

Installation tips

- Always place a moisture separator / particulate filter to remove bulk moisture and a coalescing filter to remove oil upstream of desiccant dryer. Desiccant coated with oil will not adsorb water vapor.
- Automatic drains should be used in prefilters
- A spring ball check valve should be installed at the dryer inlet to maximize the life of the desiccant.

Operating information

| | |
|-----------------------------------|-----------------------------|
| Optimum working temperature: | Below 100°F |
| Operating temperature: | 32°F to 180°F (0°C to 82°C) |
| Operating pressure (max.): | 0 to 300 psig (21 bar) |
| Filter element rating: | |
| DD15, DD30 | 90 micron |
| DD60 | 40 micron |
| Desiccant capacity: | |
| DD15 | 2.5 lb. (1.1 kg) |
| DD30 | 5 lb. (2.3 kg) |
| DD60 | 10 lb. (4.5 kg) |
| Weight: | |
| DD15 (add 2.5 lb for weight full) | 8 lb. (3.6 kg) |
| DD30 (add 5 lb for weight full) | 13 lb. (5.9 kg) |
| DD60 (add 10 lb for weight full) | 20 lb. (9.1 kg) |



| | A | B |
|------|----------------|----------------|
| DD15 | 12.69 (322) | 13.5 (343) |
| DD30 | 22.44 (570) | 23.25 (591) |
| DD60 | 29.44 (748) | 30.25 (768) |

* Dimension does not include reducer bushings for 1/4", 3/8", 1/2" versions.
 Inches (mm)

Most popular.



For inventory, lead times, and kit lookup, visit www.pdnplu.com

M7

Parker Hannifin Corporation
 Pneumatic Division
 Richland, Michigan
www.parker.com/pneumatics

Refrigeration

Disposable

Desiccant

Regenerative
Desiccant

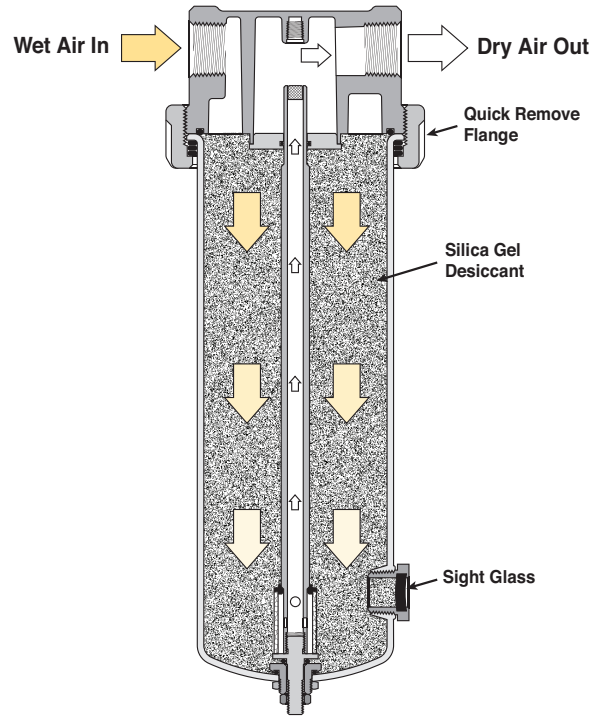
Heatless
Desiccant

Dryers

M

As the wet compressed air enters through the inlet, the air travels down through the bed of desiccant which adsorb the water vapor and aerosols. The silica gel desiccant beads will reduce the humidity down to a -40°F pressure dew point. After the moisture has been removed, the dry air passes through a sintered bronze filter element (eliminating dust downstream), up the tube and out the outlet port.

As the desiccant becomes saturated with moisture, the dew point will begin to rise. This is evident when the orange silica gel desiccant beads in the sight glass change to green, indicating the need for desiccant replacement. Simply remove the flange and bowl and replace with new desiccant or regenerate saturated desiccant by heating to 275°F.



Material specifications

| | |
|--------------------|-----------------|
| Bowl, DD15 | Aluminum |
| Bowl, DD30 | Aluminum |
| Bowl, DD60 | Steel |
| Flow tube | CPVC |
| Filter element | Sintered bronze |
| Head & flange ring | Zinc |
| Other hardware | Brass |
| Seals | Buna-N |
| Sight glass | Glass & steel |

Repair and Service Kits

| | |
|--|-----------------------|
| Desiccant - 100% Indicating silica gel, DD15 | DRP-14-447/003 |
| Desiccant - 100% Indicating silica gel, DD30 | DRP-14-447/006 |
| Desiccant - 100% Indicating silica gel, DD60 | DRP-14-447/012 |
| Mounting brackets (pair of pipe mounted brackets), 1 inch pipe size | SA200CW57 |
| Flow tube repair kit (tube, filter element(s), adaptor), DD15 | RKDD15-02-06 |
| Flow tube repair kit (tube, filter element(s), adaptor), DD30 | RKDD30-03-08 |
| Flow tube repair kit (tube, filter element(s), adaptor), DD60 | RKDD60-03-08 |
| Mounting brackets (DD15 & DD30 only) – 1 inch pipe size (pair of pipe mounted brackets) | SA200CW57 |
| 1/4 inch NPT, spring check valve for inlet (250 psig max.) | 003393001 |
| 3/8 inch NPT, spring check valve for inlet (250 psig max.) | 003393002 |
| 1/2 inch NPT, spring check valve for inlet (250 psig max.) | 003393003 |
| 3/4 inch NPT, spring check valve for inlet (250 psig max.) | 003393004 |

Refrigeration
 Disposable
 Desiccant
 Regenerative Desiccant
 Heatless Desiccant
 Dryers

M



For inventory, lead times, and kit lookup, visit www.pdnplu.com

Heatless Desiccant Dryers

TW Heatless Desiccant Air Dryer

Parker TW Series Heatless Desiccant Air Dryers remove water vapor from compressed air through a process known as pressure swing adsorption. Pressure dewpoints of -40°F (-40°C) standard are attained by directing the flow of saturated compressed air over a bed of desiccant.

Features

Allen-Bradley® PLC

- Two year dryer warranty (parts and labor)
- 4 line display
- NEMA 4X enclosure
- Selectable cycles

Switching Valves

- Five year switching valve warranty from manufacturer's defects (see warranty policy)

Factory Installed Filtration

- Single point connection for system integrity
- Differential pressure gauges for element condition
- Filter drains

Regulated Purge

- Factory set
- Optimum purge regardless of operating pressure
- Repressurization circuit



Operating information

| | |
|-----------------------------------|---|
| Inlet or ambient air temperature: | 50°F to 120°F (10°C to 49°C) maximum |
| Operating pressure: | 80 psig (5.5 bar) minimum |
| Working pressure: | 150 psig (10.5 bar) maximum |
| Pressure drop at rated flow: | less than 5 PSI (0.34 bar) |
| Primary voltage: | 120V/1ph/60Hz |

Heatless Desiccant Air Dryers, Filtration comes with Dryer unit as standard.

| Part Number | Capacity SCFM @ 100 psig | Approximate Purge scfm | Dryer Air Port in/out (NPT) | Pre-Filter | After-Filter |
|---------------------|--------------------------|------------------------|-----------------------------|------------|--------------|
| TW41BN14NNN | 40 | 6 | 1/2" | AAP015CFNI | AOP015CNFI |
| TW56BN14NNN | 55 | 8 | 3/4" | AAP020DFNI | AOP020DNFI |
| TW76BN14NNN | 75 | 11 | 3/4" | AAP025DNFI | AOP025DNMI |
| TW101BN14NNN | 100 | 15 | 1" | AAP025ENFI | AOP025ENMI |
| TW131BN14NNN | 130 | 20 | 1" | AAP025ENFI | AOP025ENMI |
| TW201BN14NNN | 200 | 30 | 1-1/2" | AAP030GNFI | AOP030GNMI |
| TW251BN14NNN | 250 | 38 | 1-1/2" | AAP035GNFI | AOP035GNMI |
| TW301BN14NNN | 300 | 45 | 1-1/2" | AAP035GNFI | AOP035GNMI |
| TW401BN14NNN | 400 | 60 | 2" | AAP040HNFI | AOP040HNMI |
| TW501BN14NNN | 500 | 75 | 2" | AAP045INFI | AOP045INMI |
| TW601BN14NNN | 600 | 90 | 2" | AAP045INFI | AOP045INMI |
| TW801BN14NNN | 800 | 120 | 2" | AAP050INFI | AOP050INMI |

Refrigeration
 Disposable
 Desiccant
 Regenerative Desiccant
 Heatless Desiccant
 Dryers
M

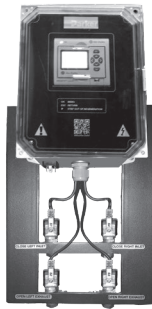


For inventory, lead times, and kit lookup, visit www.pdnplu.com

Heatless Desiccant Dryers

LED Din Connectors

- Easy to maintain and service
- Valve(s) may be serviced without opening electrical enclosure
- No hard wiring required
- Visual indication of valve activation
- Valve labeling



Additional Features

- Separate tower pressure gauges
- OSHA approved mufflers with safety relief
- ASME/CRN vessels (TW101 and larger)
- Desiccant fill and drain ports
- Safety relief valves
- Stainless steel diffuser screens
- CycleLoc® demand control
- Control air line filter
- ETL listed (UL/CSA standards)
- LED din connector(s) all solenoid valves
- 120 VAC power (other options available - consult factory)
- Power cord with basic controller
- Power din connector with advanced controller
- Power On/Off switch with advanced controller
- Steel base TW1001 and larger

Options

- PowerLoc Energy Demand Control (TW41 - TW801) optional
- All NEMA classifications
- Control air tubing - stainless steel
- Low ambient package (-20°F to +40°F air temperature)
- Instrumentation
- Locally mounted pressure and temperature gauges at inlet and outlet
- Pneumatic controls
- ASME B31.3 piping
- Corrosion allowance
- High pressure applications: 200 psig design & 250 psig design adders are available

System Integrity

Parker TW Series Heatless Desiccant Air Dryers remove water vapor from compressed air through a process known as Pressure Swing Adsorption. Pressure dewpoints ranging from -40°F (-40°C) are attained by directing the flow of saturated compressed air over a bed of desiccant.

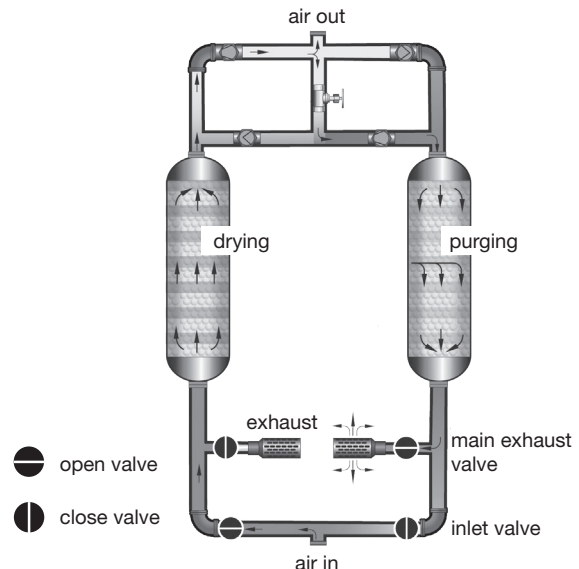
The most commonly used desiccant is activated alumina, a spherical shaped, hygroscopic material, selected for its consistent size, shape and extreme surface to mass ratio. This physically tough and chemically inert material is contained in two separate but identical pressure vessels commonly referred to as “dual” or “twin” towers.

As the saturated compressed air flows up through the “on-line” tower, its moisture content adheres to the surface of the desiccant. The dry compressed air is then discharged from the chamber into the distribution system.

An Allen-Bradley® PLC controller automatically cycles the flow of compressed air between the towers while the “on-line” tower is drying, the “off-line” tower is regenerating. Regeneration, sometimes referred to as purging, is the process by which moisture accumulated during the “on-line” cycle is stripped away during the “off-line” cycle. As dry low pressure purge air flows gently through the regenerating bed, it attracts the moisture that had accumulated on the surface of the desiccant during the drying cycle and exhausts it to the atmosphere.

To protect the desiccant bed from excess liquid, all Parker TW Series Heatless Air Dryers are designed to work with the natural pull of gravity. By directing the saturated air into the bottom of the “on-line” tower and flowing up through the bed, liquid condensate caused by system upset, is kept away from the desiccant and remains at the bottom of the tower where it can be easily exhausted during the regeneration cycle. Counter flow purging ensures optimum performance by keeping the driest desiccant at the discharge end of the dryer.

Heatless dryers in general are the most reliable and least expensive of all desiccant type dryers. Parker Airtek TW Series Heatless Desiccant Air Dryers are more energy efficient than competitors thanks to standard features such as: variable cycle control, CycleLoc® and regulated purge flow.



Refrigeration

Disposable

Desiccant

Regenerative Desiccant

Heatless Desiccant

Dryers

M



For inventory, lead times, and kit lookup, visit www.pdnplu.com

Heatless Desiccant Dryers

Air Preparation Products Dryers

Basic Controller

(Standard on Models TW41 - TW801)

- Allen-Bradley® PLC
- Nema 4X enclosure
- LCD user interface
- Four line digital display features:
 - Tower drying indication
 - Tower regenerating indication
 - Run status
 - Time remaining in cycle
- Selectable cycle settings
- Programmable drain timer (drain on, time and test)
- Compressor demand via external dry contact (CycleLoc®)
- Power ON/OFF switch
- Step-through regeneration for maintenance
- Cycle counter
- Hours of operation



PowerLoc® Energy Management System

(Optional on Models TW41-801)**

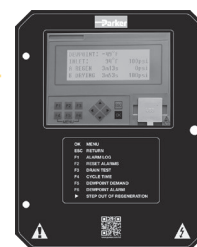
Energy savings of up to 80% can be achieved with the proven PowerLoc® energy management system.

Regeneration requirements are dependent on flow, pressure and temperature. The PowerLoc® system allows the cost of drying compressed air to be matched exactly to your plant conditions.

PowerLoc® controls the drying cycle by continuously reacting to the loading under which the dryer is operating and minimizes the energy input required.

As dryers rarely operate at full rated capacity all of the time (eg. during shift work and periods of low demand), this energy management system can provide considerable savings.

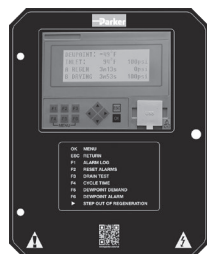
The Advanced Controller is designed to accommodate Parker Airtek's PowerLoc Energy Management System. Flashes green when in energy saving mode.



Advanced Controller

(Optional on Models TW41-801)

- Allen-Bradley® PLC
- Powerloc® Energy Demand System
 - Energy savings percentage
 - Hours in power save
- Nema 4X enclosure
- 3.5" LCD user interface
- Dew point sensor input (-148°F to 68°F)
- Optional 4-20 mA output for remotely monitoring dew point
- Tower pressure sensors
- Inlet pressure and temperature sensors
- Compressor demand via external dry contact (CycleLoc®)
- Modbus/TCP communications via standard ethernet port
- Modbus RTU communications via optional RS232/485 port (Using external gateway device)
- SD card slot for accessing historical data and alarm information
- Selectable cycle settings
- Programmable drain timer (drain on, time and test)
- User selectable alarms with common alarm relay
 - High inlet temperature
 - Low inlet pressure
 - Tower failed to blow down (switch failure)
 - Tower failed to pressurize
 - High dew point
 - Sensor failure for all sensors
 - Switch failure
 - Inlet filter pressure
- Filter maintenance timer & alarm
- Clogged muffler maintenance and alarm
- Power ON/OFF switch
- Alarm log stores most recent alarms
- Flashes green when in energy savings mode
- Flashes red when an alarm is present
- Dry contact for common alarm



High Performance Components

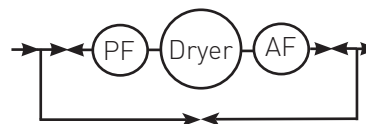
Poppet Valve

TW41 - TW801

- Stainless steel body
- Stainless steel internals
- PTFE seal
- Air activated, spring return
- Visual position indicator on exhaust valves
- ANSI Class VI shutoff
- Long service life
- Repair kits available
- 5 year valve warranty



Filter Package Schematic



Package "B"

(Standard TW41 - TW801)

Includes dryer with factory installed pre-filter and after-filter with system bypass

Refrigeration

Disposable

Desiccant

Regenerative Desiccant

Heatless Desiccant

Dryers

M



For inventory, lead times, and kit lookup, visit www.pdnplu.com

Heatless Desiccant Dryers

Flow correction factors

Capacities are based upon:

- Maximum inlet air or ambient air temperature 120°F (49°C)
- Maximum working pressure: 150 psig (10.5 bar g) standard units for high maximum working pressure are available
- Minimum operating pressure: 80 psig (5.5 bar g)

Correction Factors

To obtain drying capacity at new conditions: (nominal capacity) x C1 x C2

Temperature Correction Factor

| | | | | | | | | |
|--------------------------------|----|------|------|------|------|------|------|------|
| Maximum inlet temperature (C1) | °F | 90 | 95 | 100 | 105 | 110 | 115 | 120 |
| | °C | 32 | 35 | 38 | 41 | 43 | 46 | 49 |
| | CF | 1.17 | 1.15 | 1.00 | 0.87 | 0.76 | 0.66 | 0.58 |

Pressure Correction Factor

| | | | | | | | |
|-----------------------------|-------|------|------|------|------|------|------|
| Minimum inlet pressure (C2) | psi g | 80 | 90 | 100 | 110 | 120 | 130 |
| | bar g | 5.5 | 6.2 | 6.9 | 7.6 | 8.3 | 9.0 |
| | CF | 0.83 | 0.91 | 1.00 | 1.09 | 1.17 | 1.26 |

Flows are at 100 psig inlet pressure, 100°F inlet temperature, and 100°F ambient temperature.
Weight includes desiccant dryer with basic controller FLA 2 amps, advanced controller FLA 3 amps.

Heatless Desiccant Air Dryers

| TW Series | Part Number | A (length) | B (width) | C (depth) | Weight lbs. (kg) |
|-----------|--------------|------------|-----------|-----------|------------------|
| | TW41BN14NNN | 49 (1245) | 21 (533) | 25 (635) | 190 (86) |
| | TW56BN14NNN | 65 (1651) | 22 (559) | 31 (787) | 230 (104) |
| | TW76BN14NNN | 80 (2032) | 34 (864) | 29 (737) | 384 (174) |
| | TW101BN14NNN | 79 (2007) | 36 (914) | 30 (762) | 468 (212) |
| | TW131BN14NNN | 79 (2007) | 36 (914) | 30 (762) | 496 (225) |
| | TW201BN14NNN | 81 (2057) | 42 (1067) | 34 (864) | 692 (314) |
| | TW251BN14NNN | 81 (2057) | 45 (1143) | 36 (914) | 776 (352) |
| | TW301BN14NNN | 81 (2057) | 45 (1143) | 36 (914) | 796 (361) |
| | TW401BN14NNN | 83 (2108) | 48 (1219) | 41 (1041) | 1626 (738) |
| | TW501BN14NNN | 83 (2108) | 51 (1295) | 43 (1092) | 1735 (787) |
| | TW601BN14NNN | 84 (2134) | 50 (1270) | 44 (1118) | 1740 (789) |
| | TW801BN14NNN | 88 (2235) | 56 (1422) | 45 (1143) | 2120 (962) |

Repair and Service Kits

| Dryer Model | Pre-Filter | Pre-Filter Element | After-Filter | After-Filter Element |
|-------------|------------|--------------------|--------------|----------------------|
| TW41 | AAP015CFNI | P015AA | AOP015CNFI | P015AO |
| TW56 | AAP020DFNI | P020AA | AOP020DNFI | P020AO |
| TW76 | AAP025DNFI | P025AA | AOP025DNMI | P025AO |
| TW101 | AAP025ENFI | P025AA | AOP025ENMI | P025AO |
| TW131 | AAP025ENFI | P025AA | AOP025ENMI | P025AO |
| TW201 | AAP030GNFI | P030AA | AOP030GNMI | P030AO |
| TW251 | AAP035GNFI | P035AA | AOP035GNMI | P035AO |
| TW301 | AAP035GNFI | P035AA | AOP035GNMI | P035AO |
| TW401 | AAP040HNFI | P040AA | AOP040HNMI | P040AO |
| TW501 | AAP045INFI | P045AA | AOP045INMI | P045AO |
| TW601 | AAP045INFI | P045AA | AOP045INMI | P045AO |
| TW801 | AAP050INFI | P050AA | AOP050INMI | P050AO |



For inventory, lead times, and kit lookup, visit www.pdnplu.com



Air Preparation Products
Airline Accessories

| | |
|----------------------------|---------|
| Drains | N2-N4 |
| Lockout Valves | N5-N11 |
| AirGuard Protection System | N12-N13 |
| Mufflers | N14-N19 |

Drains

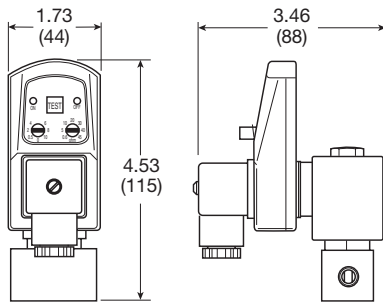
Automatic Electrical Drain Valve – WDV3-G

The WDV3 Electrical Drain is designed to remove condensate from compressors, compressed air dryers and receivers up to any size, type or manufacturer.



Benefits

- Does not air-lock during operation
- Compressed air systems up to any size
- The direct acting valve is serviceable
- Suitable for all types of compressors
- Test (micro-switch) feature
- High time cycle accuracy
- Large (4.5mm) valve orifice



Operating information

| | |
|--------------------------------|-------------------------------|
| Operating pressure: | 230 psig (16 bar) |
| Ambient operating temperature: | 34°F to 130°F (1.1°C to 54°C) |
| Voltages: | 115VAC, 230/50-60Hz, 24VDC |
| Coil insulation: | Class H, 340°F (171.1°C) |
| Current rating: | 4mA maximum |
| Timer – | |
| Open time | .5 to 10 sec., adjustable |
| Cycle time | .5 to 45 min., adjustable |

Material specifications

| | |
|---------------------------|-------------------------|
| Valve body | Brass / stainless steel |
| Enclosure (IP65 / NEMA 4) | ABS plastic |
| Internal parts | Brass / stainless steel |
| Valve seals | FPM (Fluorocarbon) |

Automatic Electrical Drain Valve

| Port Size | Primary Voltage | Weight (kg) | Model Number |
|-----------|-----------------|--------------|-------------------|
| 1/4 | 120VAC | 1.8 (0.8 kg) | WDV3-G12BL |
| 1/4 | 230VAC | 1.8 (0.8 kg) | WDV3-G22BL |
| 3/8 | 120VAC | 1.8 (0.8 kg) | WDV3-G13BL |
| 3/8 | 230VAC | 1.8 (0.8 kg) | WDV3-G23BL |
| 1/2 | 120VAC | 1.8 (0.8 kg) | WDV3-G14BL |
| 1/2 | 230VAC | 1.8 (0.8 kg) | WDV3-G24BL |
| 1/2 | 24VDC | 1.8 (0.8 kg) | WDV3-G34BL |

Drains
Lockout Valves
AirGuard
Mufflers
Ball Valve / Plug Valves
Quick Couplings
Hose Products
Fittings



Airline Accessories



For inventory, lead times, and kit lookup, visit www.pdnplu.com

ED Zero Air Loss Condensate Drains

Zero air loss condensate drains are designed for economical removal of unwanted water, oil emulsions, and other liquids. These drains will only open when liquid is present and will not allow any compressed air to escape from the system.



Operating information

| | |
|--------------------------------|-------------------------------|
| Maximum pressure: | 232 psig (16 bar) |
| Ambient operating temperature: | 35°F to 140°F (1.6°C to 60°C) |
| Voltages optional – NPT | 115/50-60Hz, standard |
| BSPP ports | 230/50-60Hz & 24VDC |

Zero Air Loss Condensate Drains

| Port Size (NPT) | Compressor Aftercooler (scfm)* | Capacity Refrigeration Dryer (scfm)** | Filter (scfm) | Drain Capacity per Day (gal/liter) | Model Number | Service Kit |
|-----------------------------|--------------------------------|---------------------------------------|---------------|------------------------------------|---------------------|---------------------|
| 1 @ 3/8 (in), 1 @ 3/8 (out) | — | — | 424 | 6 (22.7) | ED3002N115-K | SKED3000N115 |
| 1 @ 1/2 (in), 1 @ 3/8 (out) | 141 | 282 | 1,413 | 13 (49.2) | ED3004N115-K | SKED3000N115 |
| 2 @ 1/2 (in), 1 @ 3/8 (out) | 247 | 494 | 2,472 | 23 (87.1) | ED3007N115-K | SKED3000N115 |
| 2 @ 1/2 (in), 1 @ 3/8 (out) | 1,059 | 2,119 | 10,594 | 100 (378.5) | ED3030N115-K | SKED3000N115 |
| 2 @ 1/2 (in), 1 @ 3/8 (out) | 3,532 | 7,063 | 35,315 | 330 (1,249.2) | ED3100N115-K | SKED3000N115 |

* Based on 100 PSI working pressure, air compressor inlet at 77°F (25°C) at 60% RH, air discharge temperature of 95°F (35°C) following the aftercooler, pressure dewpoint of 37°F (2.8°C) after the refrigerated dryer.

** Condensate from aftercooler or refrigerated dryer to be drained upstream – only for residual oil content or small quantities of condensate.

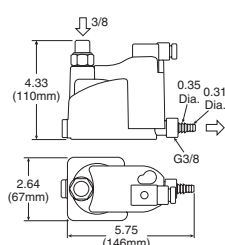
Note: A 6 ft. line cord will be included with each drain.

Where Are Condensate Drains Used?

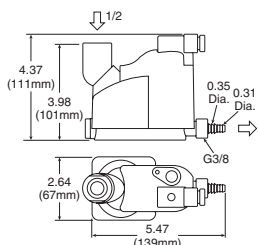
| | | | | |
|---|---|---|---|--|
| | | | | |
| Compressor with Aftercooler | Receiver Tank | Filter | Air Dryer | Drip Leg |
| Removes the condensate that is collected after the air cools in the aftercooler | Removes the condensate that is collected when the air cools inside of the receiver tank | Removes the condensate that is collected in the filter bowl | Removes the condensate that is collected in the air dryer | Point-of-use applications: removes the condensate from compressed air pipes in a plant |

Dimensions

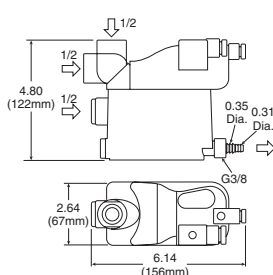
ED3002N115-K



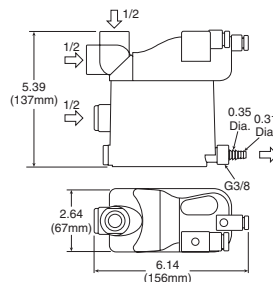
ED3004N115-K



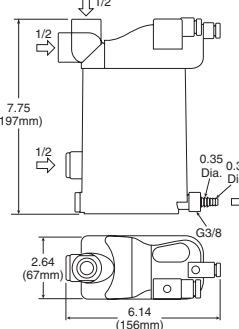
ED3007N115-K



ED3030N115-K



ED3100N115-K



Most popular.



For inventory, lead times, and kit lookup, visit www.pdnplu.com

| |
|---------------------------------|
| Drains |
| Lockout Valves |
| AirGuard |
| Mufflers |
| Ball Valve / Plug Valves |
| Quick Couplings |
| Hose Products |
| Fittings |
| N Airline Accessories |

Drain cocks are manufactured in external seats. Hand tightening provides a metal - to - metal seal.



Drain Cock Nomenclature

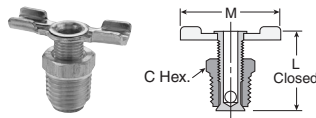
Example:

DC 604 - 2

Drain Cock ————┐
 External Seat ———┘
 1/8" Pipe Thread ———┘

Operating information

Operating pressure: 150 psig (150 bar)
 Temperature ranges:
 Internal seal -65°F to 250°F (-53.9°C to 12.1°C)
 External seal -25°F to 250°F (-31.7°C to 12.1°C)
 Operating fluid: Air, water, gas and certain other fluids
 Note: Lubricant may not be compatible with some fluids, contact factory for special fluid requirements.



External Seal - Drain Cock DC604

Temperature Range: -25° to 250°F

| Part Number | Pipe Thread | C Hex | L | M |
|-------------|-------------|-------|------|------|
| DC604-2* | 1/8 | 7/16 | .85 | 1.25 |
| DC604-4 | 1/4 | 9/16 | 1.00 | 1.38 |
| DC604-6* | 3/8 | 11/16 | 1.22 | 1.68 |

*When assembled handle wings are down facing

- Drains
- Lockout Valves
- AirGuard
- Mufflers
- Ball Valve / Plug Valves
- Quick Couplings
- Hose Products
- Fittings
- N
- Airline Accessories



For inventory, lead times, and kit lookup, visit www.pdnplu.com

LV / LVSS Series

Lockout valves are installed in pneumatic drop legs, or individual pneumatic control lines. In accordance with OSHA procedures, lockout valves are used during maintenance and service procedures of pneumatically (air) operated equipment.

- Used for compliance with OSHA 29 CFR part 1910
- 1/4" to 2" pipe sizes. NPT or BSPP
- Yellow cast aluminum body with red handle or stainless steel (NACE MR0175 / ISO 15156)
- Inline or surface mountable
- Built in port for pressure verification to meet ANSI B11 and PMMI B155 requirements
- Fluorocarbon slipper seals for easy shifting, even after long periods of inactivity

Material specifications

| Description | LV | LVSS |
|----------------|--------------------------|--------------------------|
| Body: | Cast aluminum alloy | Stainless steel |
| Handle: | Plastic | Stainless steel |
| Spool: | Aluminum | Stainless steel |
| Seals: | Carboxylated nitrile | Fluorocarbon |
| Detent spring: | Stainless steel | Stainless steel |
| Grease: | Magnalube G [†] | Magnalube G [†] |

[†] Trademark Magnalube



Operating information

| Operating pressure: | LV | LVSS |
|------------------------|---------------------------------------|----------------|
| Compact | 15 to 145 PSIG | - |
| Standard | 15 to 300 PSIG | 15 to 300 PSIG |
| High flow | 15 to 300 PSIG | - |
| Operating temperature: | 40°F to 175°F | 30°F to 175°F |
| Operating media: | Clean, dry, compressed air (5 micron) | |

Compact



| Port in/out | Port Exhaust | SCFM in/out | SCFM Exhaust | Wt (lb) | Part Number * |
|-------------|--------------|-------------|--------------|---------|---------------|
| 1/4 | 3/8 | 41.8 | 40.7 | 0.9 | LV2N3B |
| 3/8 | 3/8 | 60.7 | 60.7 | 0.9 | LV3N3B |

Standard



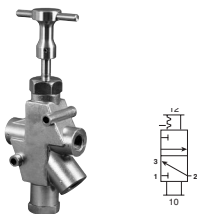
| Port in/out | Port Exhaust | SCFM in/out | SCFM Exhaust | Wt (lb) | Part Number * |
|-------------|--------------|-------------|--------------|---------|---------------|
| 3/8 | 3/4 | 107.7 | 81.1 | 2.0 | LV3N6B |
| 1/2 | 3/4 | 161.4 | 90.9 | 2.0 | LV4N6B |
| 3/4 | 3/4 | 187.7 | 93.2 | 2.0 | LV6N6B |
| 3/4 | 1-1/4 | 297.7 | 204 | 3.2 | LV6NAB |
| 1 | 1-1/4 | 375 | 216 | 3.2 | LV8NAB |
| 1-1/4 | 1-1/4 | 436.4 | 221 | 3.2 | LVANAB |

High Flow



| Port in/out | Port Exhaust | SCFM in/out | SCFM Exhaust | Wt (lb) | Part Number * |
|-------------|--------------|-------------|--------------|---------|---------------|
| 1-1/2 | 2 | 761.4 | 1156 | 8.2 | LVBNCB |
| 2 | 2 | 918.2 | 1186 | 8.2 | LVCNCB |

Stainless Steel



| Port in/out | Port Exhaust | SCFM in/out | SCFM Exhaust | Wt (lb) | Part Number * |
|-------------|--------------|-------------|--------------|---------|-----------------|
| 1/4 | 1/4 | 48.6 | 47.2 | 3.8 | LV2N2BSS |
| 3/8 | 1/2 | 131.6 | 142 | 6.0 | LV3N4BSS |
| 1/2 | 1/2 | 131.6 | 142 | 6.0 | LV4N4BSS |
| 3/4 | 1 | 325 | 386 | 13 | LV6N8BSS |
| 1 | 1 | 325 | 386 | 13 | LV8N8BSS |
| 1-1/2 | 2 | 889 | 1023 | 35 | LVBNCBSS |
| 2 | 2 | 889 | 1023 | 35 | LVCNCBSS |

NOTE: Exhaust flow rates calculated using inlet pressure 100 psig (6.7 bar), pressure drop 5 psi (0.34 bar), air temp 68°F (20°C), and 36% relative humidity.

* For BSPP ports, change 4th digit from "N" to "B"

Most popular.



For inventory, lead times, and kit lookup, visit www.pdnplu.com

Drains

Lockout Valves

AirGuard

Mufflers

Ball Valve / Plug Valves

Quick Couplings

Hose Products

Fittings

N

Airline Accessories

Drains
 Lockout Valves
 AirGuard
 Mufflers
 Ball Valve / Plug Valves
 Quick Couplings
 Hose Products
 Fittings
N
 Airline Accessories

EZ Series

The EZ series meets all the same standards as the LV series with the added feature of a soft start when opened. There are still 2 detented positions for the handle (push close, pull to open), but when pulled open, an adjustable needle valve controls the rate of pressure build-up. This can protect equipment during start up after maintenance. The EZ is distinguishable from the LV series by the blue dot on the label.

Features

- Combines lockout and soft-start functions in a single unit
- Used in systems for compliance with OSHA standard 29 CFR part 1910
- 3/8 Inch to 1-1/4 inch pipe sizes
- Cv's from 3.7 to 13.7
- 3/4 and 1-1/4 inch: exhaust ports available
- Exhaust port threaded for installation of silencer or line for remote exhausting
- Inline or surface mountable
- Yellow cast aluminum body with red handle. Blue dot on body indicates EZ Series valve
- Fluorocarbon slipper seals for easy shifting, even after long periods of inactivity



3/4" Exhaust Shown

Operating information

| | |
|------------------------|---------------------------------------|
| Operating pressure: | 15 to 300 PSIG |
| Standard | |
| Operating temperature: | 40°F to 175°F |
| Operating media: | Clean, dry, compressed air (5 micron) |

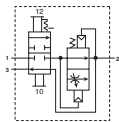
Material specifications

Description

| | |
|----------------|--------------------------|
| Body: | Cast aluminum alloy |
| Handle: | Plastic |
| Spool: | Aluminum |
| Seals: | Carboxylated nitrile |
| Detent spring: | Stainless steel |
| Grease: | Magnalube G [†] |

[†] Trademark Magnalube

EZ Series



| Port in/out | Port Exhaust | SCFM in/out | SCFM Exhaust | Wt (lb) | Part Number * |
|-------------|--------------|-------------|--------------|---------|----------------|
| 3/8 | 3/4 | 136.4 | 181 | 2.1 | EZ03NB6 |
| 1/2 | 3/4 | 161.4 | 189 | 2.1 | EZ04NB6 |
| 3/4 | 3/4 | 181.9 | 216 | 2.1 | EZ06NB6 |
| 3/4 | 1-1/4 | 272.7 | 248 | 3.2 | EZ06NBA |
| 1 | 1-1/4 | 311.4 | 273 | 3.2 | EZ08NBA |
| 1-1/4 | 1-1/4 | 368.2 | 291 | 3.2 | EZ0ANBA |

NOTE: Exhaust flow rates calculated using inlet pressure 100 psig (6.7 bar), pressure drop 5 psi (0.34 bar), air temp 68°F (20°C), and 36% relative humidity.

* For BSPP ports, change 5th digit from "N" to "B"

Most popular.



For inventory, lead times, and kit lookup, visit www.pdnplu.com

Lockout Valves

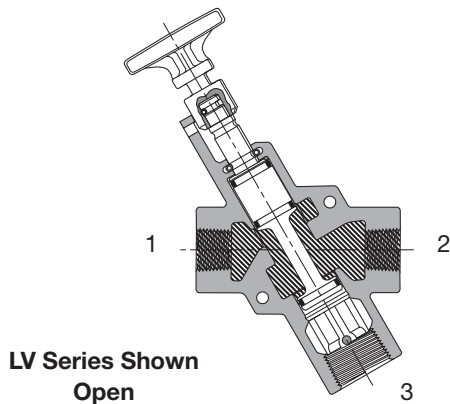
Applications

Lockout valves are installed in pneumatic drop legs, or individual pneumatic control lines (see Figure 1). In accordance with OSHA procedures, EZ valves are used during maintenance and service procedures of pneumatically (air) operated equipment. Prior to servicing, the red handle is pressed inward, blocking pressure and relieving all downstream air pressure. A padlock is installed through the locking hasp, preventing accidental actuation during the maintenance procedure. Following maintenance, the padlock is removed and the red handle is pulled outward, gradually returning air pressure to the system. (For complete Lockout / Tagout procedures, consult OSHA Standard 29 CFR Part 1910 in U.S. Federal Register/Vol. 54 No. 169, Friday, September 1, 1989 / Page 36644.)

LV / LVSS Operation

Normal Machine Operation – Valve Open

With the handle pulled outward. Inlet Port 1 is open to outlet Port 2. Exhaust Port 3 is blocked.



Air Preparation Products Accessories

Mounting

Valves can be inline mounted or surface mounted using the two mounting holes provided in the valve body. Mount valves in plain view with the handle oriented for accessibility.

Placement of Lockout Device

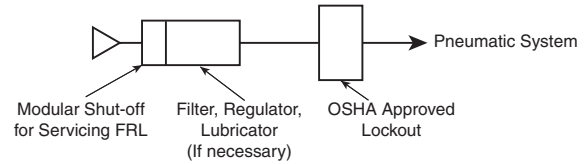
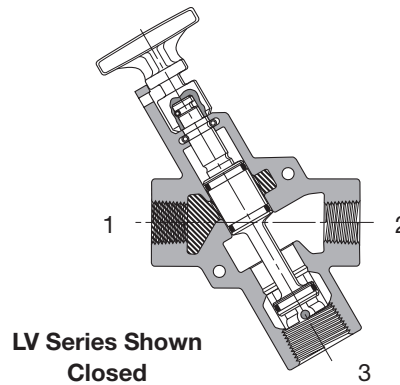


Figure 1.

Lockout Operation – Valve Closed

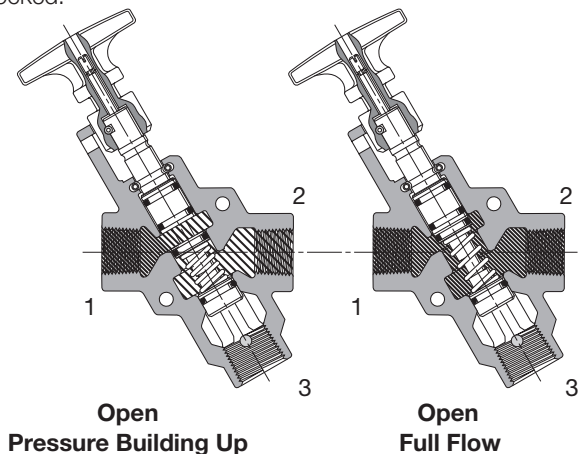
With the handle pushed inward. Inlet Port 1 is blocked. Outlet Port 2 is open to Exhaust Port 3.



EZ Operation

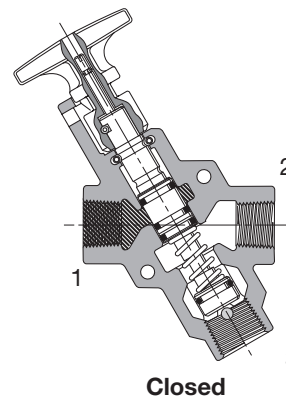
Normal Machine Operation – Valve Open

When the red handle is pulled outward, the adjustable needle valve (accessed through the top of the handle) setting determines the rate of pressure buildup. When downstream pressure reaches the full flow described in the specifications below, Inlet Port 1 is open to outlet Port 2. Exhaust Port 3 is blocked.



Lockout Operation – Valve Closed

When the red handle is pushed inward, the Inlet Port 1 is blocked. Downstream air is exhausted through Exhaust Port 3.



For inventory, lead times, and kit lookup, visit www.pdnplu.com

| |
|--------------------------|
| Drains |
| Lockout Valves |
| AirGuard |
| Mufflers |
| Ball Valve / Plug Valves |
| Quick Couplings |
| Hose Products |
| Fittings |
| N |
| Airline Accessories |

Corrosion resistant mufflers for harsh environments



| Port Size | Construction | Threads | Dimensions In. (Mm) | | Part Number |
|-----------|-----------------|-----------|---------------------|--------------|-------------------|
| | | | Width | Length | |
| 1/4 | Stainless steel | Male, NPT | 0.56 (14.2) | 1.75 (44.5) | 5500A2004 |
| 1/2 | Stainless steel | Male, NPT | 0.87 (22.1) | 2.75 (69.7) | 5500A4004 |
| 1 | Stainless steel | Male, NPT | 1.31 (33.3) | 3.87 (98.3) | 5500B6004 |
| 2 | Nickel plated | Male, NPT | 2.37 (60.2) | 5.50 (139.7) | 5500A9004* |

* Nickel plated

High Flow Silencers



| Part Number * | ES25MC | ES37MC | ES50MC | ES75MC | ES100MC | ES125MC | ES150MC | ES200MC |
|-----------------|-----------|-----------|-----------|------------|------------|------------|------------|------------|
| Pipe size | 1/4 | 3/8 | 1/2 | 3/4 | 1 | 1-1/4 | 1-1/2 | 2 |
| Flow (scfm) | 129 | 219 | 549 | 893 | 1013 | 1486 | 1580 | 1580 |
| Hex In. (mm) | 0.63 (16) | 1.00 (25) | 1.00 (25) | 1.62 (41) | 1.62 (41) | — | — | 2.99 (76) |
| Length In. (mm) | 1.85 (47) | 3.31 (84) | 3.31 (84) | 4.56 (116) | 4.56 (116) | 5.69 (145) | 5.69 (145) | 7.68 (195) |

* NPT ports standard, for BSPT ports, add a "B" after the "S"

Pop-up Pressure Indicator



Brass – Part # **988A30** – Can be used on all LV or EZ series to provide visual verification of line exhaust



Stainless – Part# **1155H30** – Can be used on SS LV series to provide visual verification of line exhaust

Pressure Switch



- Part # **PPS1-2C3-RHM** (DIN 9.4mm connector)
- Part # **PPS1-2C3-RWL** (18" leads)
- Signal verification of line exhaust
- Field adjustable set point

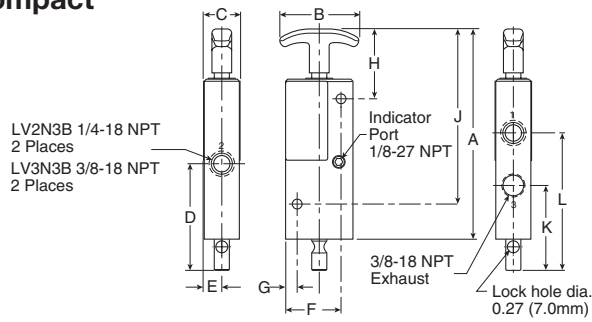
| |
|--------------------------|
| Drains |
| Lockout Valves |
| AirGuard |
| Mufflers |
| Ball Valve / Plug Valves |
| Quick Couplings |
| Hose Products |
| Fittings |
| N |
| Airline Accessories |



For inventory, lead times, and kit lookup, visit www.pdnplu.com

LZ Series, Exhaust Port - Compact, Standard, High Flow

Compact

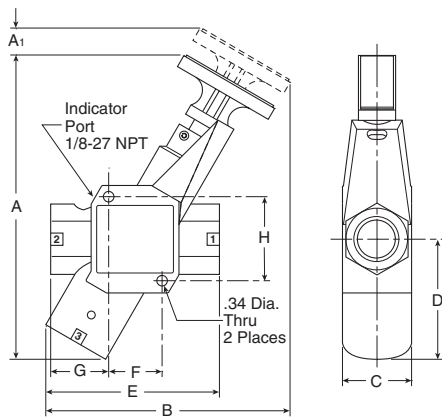


Compact LV Series, 3/8" Exhaust Port Dimensions

| A | B | C | D | E | F |
|---------------|--------------|---------------|--------------|---------------|--------------|
| 6.50 (165) | 2.25 (57) | 1.05 (27) | 3.04 (77) | .51 (13) | 1.58 (40) |
| G | H | J | K | L | |
| .33 (8) | 1.99 (51) | 4.99 (127) | 2.42 (62) | 3.92 (100) | |

Inches (mm)

Standard



Compact LV Series, 3/4" Exhaust Port Dimensions

| A | A ₁ | B | C | D | E |
|---------------|----------------|---------------|--------------|--------------|---------------|
| 8.32 (211) | 0.64 (16) | 6.60 (168) | 2.00 (51) | 3.06 (78) | 4.24 (108) |
| F | G | H | | | |
| 1.32 (111) | 1.56 (40) | 2.21 (56) | | | |

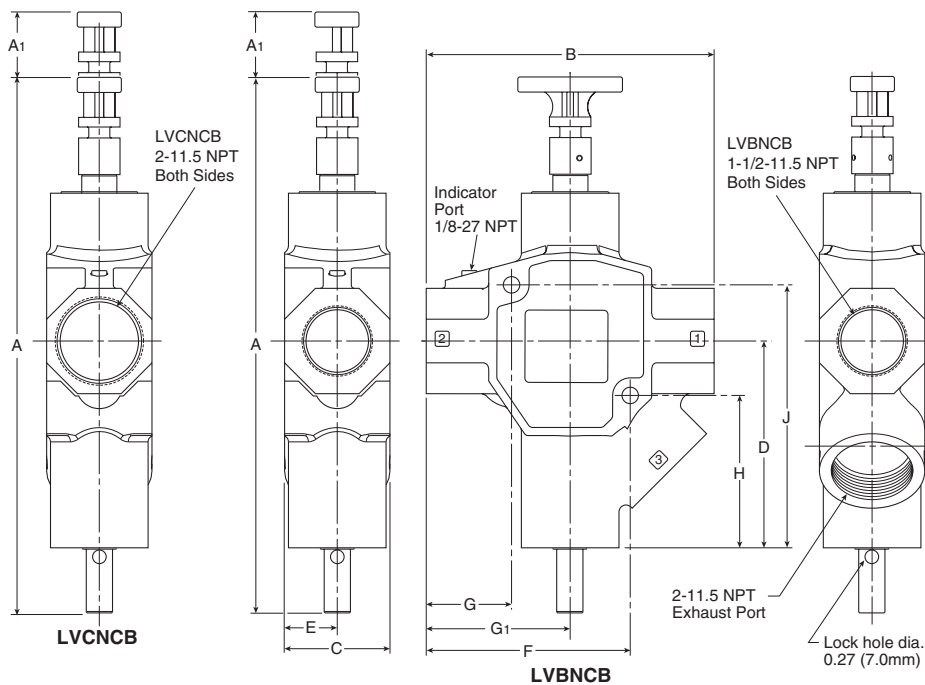
Inches (mm)

Compact LV Series, 1-1/4" Exhaust Port Dimensions

| A | A ₁ | B | C | D | E |
|---------------|----------------|---------------|--------------|--------------|---------------|
| 9.91 (252) | 0.85 (22) | 7.95 (202) | 2.25 (57) | 3.91 (99) | 5.65 (144) |
| F | G | H | | | |
| 1.74 (44) | 1.89 (48) | 2.74 (70) | | | |

Inches (mm)

High Flow



**High Flow LV Series,
 2" Exhaust Port Dimensions**

| A | A ₁ | B |
|----------------|----------------|----------------|
| 14.82 (376) | 1.87 (47) | 8.20 (208) |
| C | D | E |
| 3.00 (76) | 5.89 (150) | 1.50 (38) |
| F | G | G ₁ |
| 5.81 (148) | 2.43 (62) | 4.10 (104) |
| H | J | |
| 4.34 (110) | 7.49 (190) | |

Inches (mm)



For inventory, lead times, and kit lookup, visit www.pdnplu.com

Drains

Lockout Valves

AirGuard

Mufflers

Ball Valve / Plug Valves

Quick Couplings

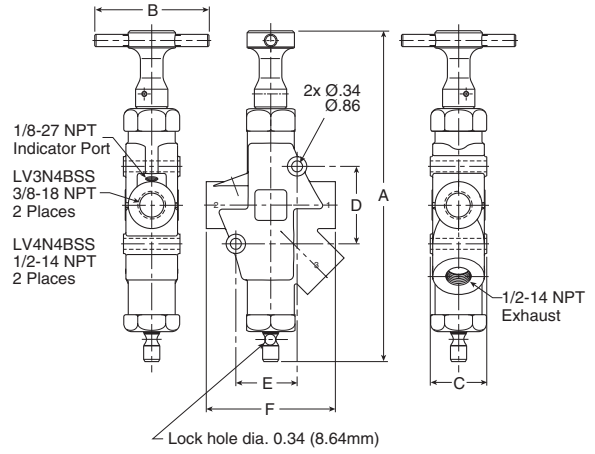
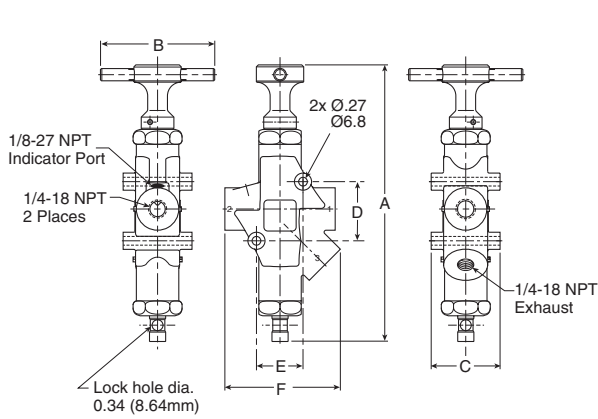
Hose Products

Fittings

N
 Airline Accessories

LZ Series, Exhaust Port - Compact, Standard, High Flow

Stainless Steel



Stainless Steel LV Series, 1/4" Exhaust Port Dimensions

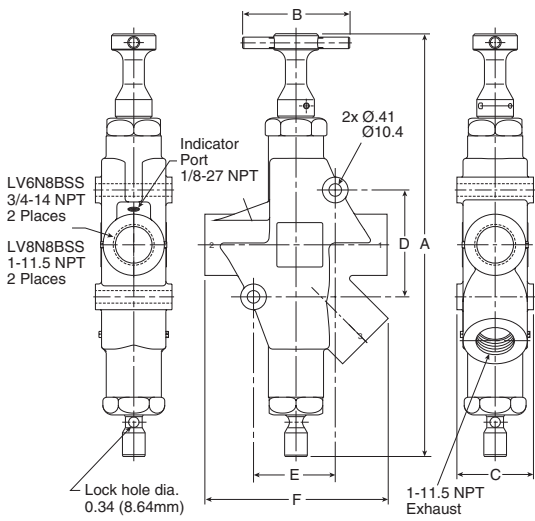
| A | B | C | D | E | F |
|-------|------|------|------|------|------|
| 8.47 | 3.50 | 2.11 | 1.81 | 1.43 | 3.54 |
| (215) | (89) | (54) | (46) | (36) | (90) |

Inches (mm)

Stainless Steel LV Series, 1/2" Exhaust Port Dimensions

| A | B | C | D | E | F |
|-------|------|------|------|------|-------|
| 10.24 | 3.50 | 1.75 | 2.40 | 1.90 | 4.00 |
| (260) | (89) | (45) | (61) | (48) | (102) |

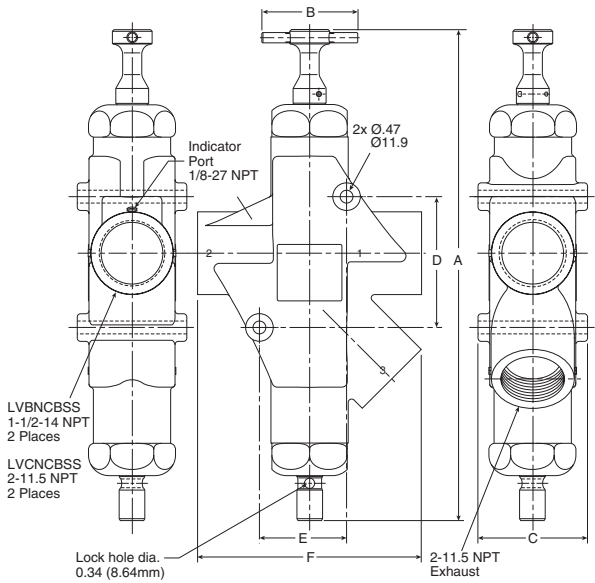
Inches (mm)



Stainless Steel LV Series, 1" Exhaust Port Dimensions

| A | B | C | D | E | F |
|-------|------|------|------|------|-------|
| 13.80 | 3.50 | 2.50 | 3.49 | 2.67 | 5.99 |
| (351) | (89) | (64) | (89) | (68) | (152) |

Inches (mm)



Stainless Steel LV Series, 2" Exhaust Port Dimensions

| A | B | C | D | E | F |
|-------|------|-------|-------|------|-------|
| 17.92 | 3.50 | 4.00 | 4.77 | 3.18 | 8.16 |
| (455) | (89) | (102) | (121) | (81) | (207) |

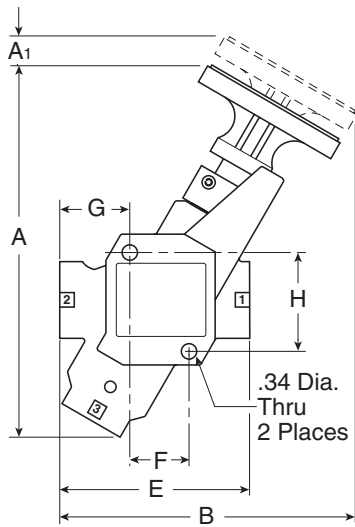
Inches (mm)



For inventory, lead times, and kit lookup, visit www.pdnplu.com

Drains
 Lockout Valves
 AirGuard
 Mufflers
 Ball Valve / Plug Valves
 Quick Couplings
 Hose Products
 Fittings
 Airline Accessories

EZ Series, Exhaust Port - Standard Flow



EZ 3/4" Exhaust Port Dimensions

| A | A1 | B | C | D |
|-------|------|-------|------|------|
| 8.32 | 0.64 | 6.60 | 2.00 | 3.06 |
| (211) | (16) | (168) | (51) | (78) |

| E | F | G | H |
|-------|-------|------|------|
| 4.24 | 1.32 | 1.56 | 2.21 |
| (108) | (111) | (40) | (56) |

Inches (mm)

EZ 1-1/4" Exhaust Port Dimensions

| A | A1 | B | C | D |
|-------|------|-------|------|------|
| 9.91 | 0.85 | 7.95 | 2.25 | 3.91 |
| (252) | (22) | (202) | (57) | (99) |

| E | F | G | H |
|-------|------|------|------|
| 5.65 | 1.74 | 1.89 | 2.74 |
| (144) | (44) | (48) | (70) |

Inches (mm)

Drains

Lockout
Valves

AirGuard

Mufflers

Ball Valve /
Plug Valves

Quick
Couplings

Hose
Products

Fittings

N

Airline
Accessories



For inventory, lead times, and kit lookup, visit www.pdnplu.com

N11

Parker Hannifin Corporation
 Pneumatic Division
 Richland, Michigan
www.parker.com/pneumatics

AirGuard Protection System



Product Features:

- **Maintenance Friendly**
Repair possible while plant is still operating
- **Economic**
Competitive pricing
- **Complies with EU Standard**
EN 983 - § 5.3.4.3.2
- **Reliable and Tamperproof**
No adjustment necessary
- **Complies with ISO Standard**
4414 - § 5.4.5.11.1
- **Complies with MSHA Regulation**
30CFR 56.13021, 57.13021 and 57.1730
- **Lightweight**
Compact size
- Compatible with all Pneumatic Systems
- Can be used as a Flow Blocker
- **TUV Approval**
No. 01-02-0145
- **EU Registered Utility**
Model No. 0025 73 525
- **Complies with OSHA Regulation Standard**
29CFR 1926.302 (Partial)

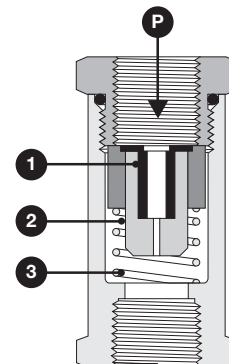
Protect your most important assets: your employees and their equipment!

The AirGuard offers simple but efficient protection of a broken compressed-air hose. The air supply is immediately shut off by the AirGuard, should the volume of air exceed a set value. This “value” is factory preset and is set to allow normal air consumption when using air tools.

Should the air consumption exceeds the set value, e.g. the air line is severed, then the internal piston instantly shuts off the main flow. An integral bleed hole allows some air to flow though. This enables the line pressure to automatically reset the AirGuard once the main line break is repaired.

Function:

(P) is the inlet. Air passes the piston (1) and continues through the seat (3). The air flow, passing the piston, is slowed down by means of length wise grooves on the outer side of the piston. If the flow is too high, the air cannot pass the piston quickly enough, and the piston is forced against the spring (2) and towards the seat. The maximum flow is shown in the graph. If the value indicated is exceeded e.g. if the hose suddenly breaks - the air supply is automatically shut of. An integral bleed hole allows some air to flow though. This enables the line pressure to automatically reset the AirGuard once the main line break is repaired.

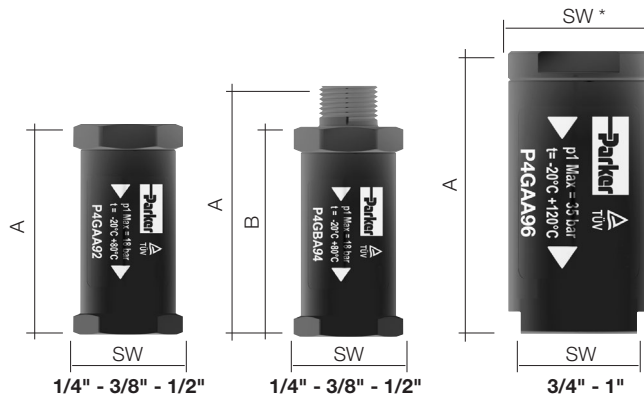


Drains
Lockout Valves
AirGuard
Mufflers
Ball Valve / Plug Valves
Quick Couplings
Hose Products
Fittings
N
Airline Accessories



For inventory, lead times, and kit lookup, visit www.pdnplu.com

AirGuard Protection System

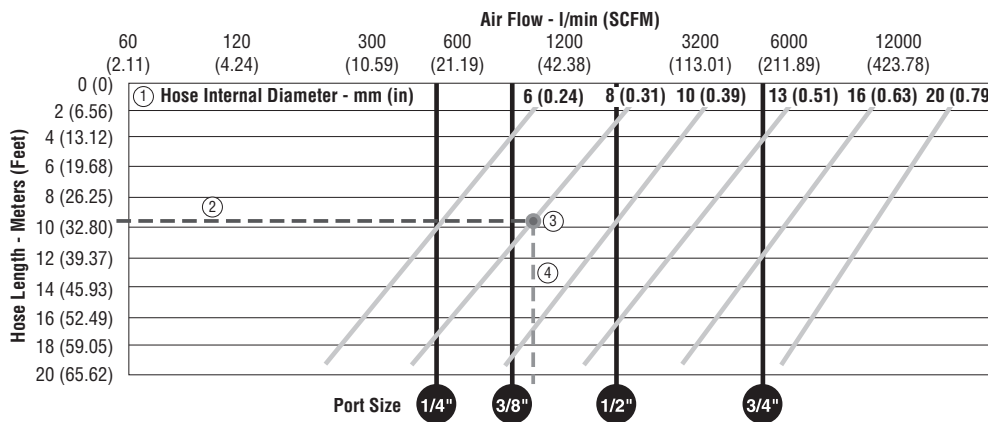


Weight and Dimensions metric (imperial)

| Thread Connection | Dimensions inch (mm) | | | Weight oz. (g) | Max. Inlet Pressure | Temp. Range | Material | P1 Inlet Thread | P2 Outlet Thread | Part Number NPT |
|-------------------|----------------------|-----------|---------------------|----------------|---------------------|--------------------------------|---|-----------------|------------------|-----------------|
| | A | B | SW | | | | | | | |
| 1/4" | 1.89 (48) | - | .87 (22) | 1.06 (30) | 255 psig (18 bar) | -4°F to 176°F (-20°C to 80°C) | Housing: Aluminum Piston: Polyacetal | Female | Female | P4GAA92 |
| 1/4" | 2.28 (58) | 49 (1.93) | .87 (22) | 1.27 (36) | | | | Male | Female | P4GBA92 |
| 3/8" | 2.32 (59) | - | 1.10 (28) | 2.05 (58) | | | | Female | Female | P4GAA93 |
| 3/8" | 2.80 (71) | 59 (2.32) | 1.10 (28) | 2.19 (62) | | | | Male | Female | P4GBA93 |
| 1/2" | 2.56 (65) | - | 1.22 (31) | 2.75 (78) | | | | Female | Female | P4GAA94 |
| 1/2" | 3.15 (80) | 65 (2.56) | 1.22 (31) | 3.00 (85) | | | | Male | Female | P4GBA94 |
| 3/4" | 2.99 (76) | - | 1.18/1.42* (30/36*) | 3.77 (107) | 500 psig (35 bar) | -4°F to 248°F (-20°C to 120°C) | Housing: Aluminum Piston: Aluminum | Female | Female | P4GAA96 |
| 1" | 3.94 (100) | - | 1.61/1.97* (41/50*) | 10.58 (300) | | | | Female | Female | P4GAA98 |

How to Select the Optimal Size of an AirGuard

Information based on an inlet pressure of 7 bar (100 psig)



- Determine the internal diameter of the hose, tube or pipe being used ① (see specification Hose-internal Diameter, diagonal line).
- Determine the length of the hose, tube or pipe ② (Hose length in meters).
- Define the intersection of point a and b, and mark a vertical line downwards. ③ - ④ In the example chart (dot ③) and the dashed line ④).
- The next vertical black line, left of the intersection line ④ tells the correct AirGuard size (in inches).
- Important: Every flow value to the right of the respective vertical line (black) would activate the AirGuard in case of a bursting hose, pipe or tube. All AirGuard sizes right of the intersection line ④ are too big and will not close up.
- Example:** Which air fuse should be used for a hose, pipe or tube bearing 8 mm inner diameter and 10 meters of length - follow the 10 meter line ② to the intersection point (dot ③). Now the next left black line marks the correct size.
- Result:** The correct size in our example is the AirGuard 3/8"



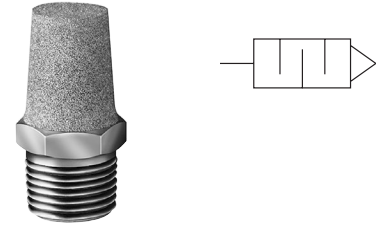
For inventory, lead times, and kit lookup, visit www.pdnplu.com

Drains
Lockout Valves
AirGuard
Mufflers
Ball Valve / Plug Valves
Quick Couplings
Hose Products
Fittings
Airline Accessories



EM Series – Sintered Bronze Muffler / Filters

Muffler / filters effectively reduce air exhaust noises to an industry accepted level with minimum flow restriction. They protect valves, impact wrenches, screw drivers and other air tools by preventing dirt and other foreign matter from entering the system. Non-corrosive. Can be cleaned with many common solvents.



EM Series

| Pipe Thread | Overall Length | Hex Size | Part Number |
|-------------|----------------|----------|--------------|
| M5 | .75 | 5/16" | EMM5 |
| 1/8" | 1.00 | 7/16" | EM12 |
| 1/4" | 1.32 | 9/16" | EM25 |
| 3/8" | 1.54 | 11/16" | EM37 |
| 1/2" | 1.85 | 7/8" | EM50 |
| 3/4" | 2.29 | 1-1/6" | EM75 |
| 1" | 2.91 | 1-5/16" | EM100 |
| 1-1/4" | 3.25 | 1-11/16" | EM125 |
| 1-1/2" | 3.69 | 2" | EM150 |

Operating information

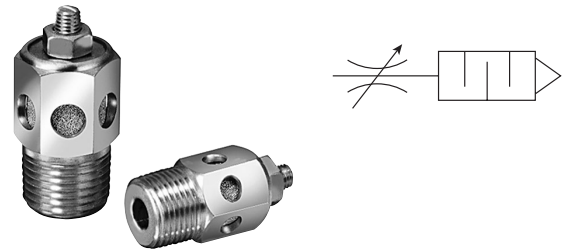
Operating pressure: 250 psig (Air)
Cracking pressure 1 to 2 psig

Operating temperature:* 0°F to 300°F

* Ambient temperatures below freezing require moisture-free air. Ambient temperatures below freezing and above 180° require lubricants especially selected for suitability at these temperatures. Pneumatic valves should be used with filtered and lubricated air.

Muffler / Flow Controls

Muffler / flow controls provide an acceptable exhaust noise level and effectively meter exhaust. Installed in valve exhaust ports, they control cylinder piston speeds throughout a wide range. The adjusting screw cannot be accidentally blown out, can be locked to maintain setting. Brass and bronze construction. Clean with commonly used solvents.



Muffler / Flow Controls

| Pipe Thread | Overall Length | Hex Size | Part Number |
|-------------|----------------|----------|------------------|
| 1/8" | 1.15 | 9/16" | 045020002 |
| 1/4" | 1.42 | 1/2" | 045040004 |
| 3/8" | 1.49 | 11/16" | 045060060 |
| 1/2" | 1.77 | 7/8" | 045080080 |
| 3/4" | 1.98 | 1-1/16" | 045120012 |
| 1" | 2.15 | 1-5/16" | 045160016 |

Operating information

Operating pressure: 250 psig (Air)
Cracking pressure 1 to 2 psig

Operating temperature:* 0°F to 300°F

* Ambient temperatures below freezing require moisture-free air. Ambient temperatures below freezing and above 180° require lubricants especially selected for suitability at these temperatures. Pneumatic valves should be used with filtered and lubricated air.

Most popular.



For inventory, lead times, and kit lookup, visit www.pdnplu.com

Drains
 Lockout Valves
 AirGuard
 Mufflers
 Ball Valve / Plug Valves
 Quick Couplings
 Hose Products
 Fittings
N
 Airline Accessories

Breather Vents

These low silhouette versions of the muffler / filter are useful where space is a problem and / or to prevent contamination. Use for vacuum relief or pressure equalization in gear boxes, oil tanks, reservoirs, etc. Non-corrosive.



Breather Vent

| Pipe Thread | Overall Length | Hex Size | Part Number |
|-------------|----------------|----------|------------------|
| 1/8" | 0.44 | 7/16" | 047020002 |
| 1/4" | 0.63 | 9/16" | 047040004 |
| 3/8" | 0.75 | 11/16" | 047060006 |
| 1/2" | 0.88 | 7/8" | 047080008 |
| 3/4" | 1.00 | 1-1/6" | 047120012 |
| 1" | 1.31 | 1-5/16" | 047160016 |
| 1-1/4" | 1.41 | 1-11/16" | 047200020 |
| 1-1/2" | 1.50 | 2" | 047240024 |

NOTE: Breather vents should not be used as exhaust mufflers.

Operating information

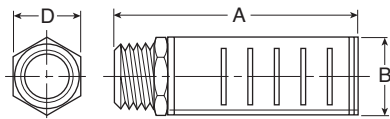
Operating pressure: 150 psig (Air) max.

Operating temperature:* 0°F to 300°F

* Ambient temperatures below freezing require moisture-free air. Ambient temperatures below freezing and above 180° require lubricants especially selected for suitability at these temperatures. Pneumatic valves should be used with filtered and lubricated air.

ES Series – Silencer

The silencer is designed to give superior performance in noise control with a minimum effect on air efficiency. "Trimline" design allows location in the tightest places without extra plumbing and fittings. Fits directly into the exhaust port of more than 90% of present commercial valves. Slotted body permits rapid discharge of air without undesirable back pressure. Unique nylon screen element resists dirt buildup or clogging.



Operating information

Operating pressure: 250 psig (Air) max.

Operating temperature:* 0°F to 300°F

* Ambient temperatures below freezing require moisture-free air. Ambient temperatures below freezing and above 180° require lubricants especially selected for suitability at these temperatures. Pneumatic valves should be used with filtered and lubricated air.

ES Series – Silencer

| Pipe Thread | Flow scfm @ 100 psig inlet | Dimensions | | | Part Numbers | |
|-------------|----------------------------|------------|------|------|----------------|-----------------|
| | | A | B | D | NPTF | BSPT (R) |
| 1/8" | 115 | 1.85 | 0.81 | 0.63 | ES12MC | ESB12MC |
| 1/4" | 129 | 1.85 | 0.81 | 0.63 | ES25MC | ESB25MC |
| 3/8" | 219 | 3.31 | 1.26 | 1.00 | ES37MC | ESB37MC |
| 1/2" | 549 | 3.31 | 1.26 | 1.00 | ES50MC | ESB50MC |
| 3/4" | 893 | 4.56 | 2.01 | 1.62 | ES75MC | ESB75MC |
| 1" | 1,013 | 4.56 | 2.01 | 1.62 | ES100MC | ESB100MC |
| 1-1/4" | 1,486 | 5.69 | 2.88 | — | ES125MC | ESB125MC |
| 1-1/2" | 1,580 | 5.69 | 2.88 | — | ES150MC | ESB150MC |

Most popular.



For inventory, lead times, and kit lookup, visit www.pdnplu.com

Drains

Lockout Valves

AirGuard

Mufflers

Ball Valve / Plug Valves

Quick Couplings

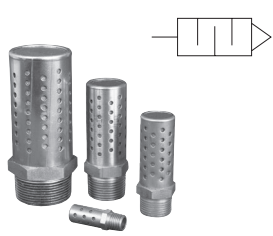
Hose Products

Fittings

N
Airline Accessories

Stainless Steel Mufflers

Corrosion resistant mufflers for harsh environments



| Port Size | Construction | Threads | Dimensions In. (mm) | | Part Number |
|-----------|-----------------|-----------|---------------------|--------------|-------------------|
| | | | Width | Length | |
| 1/4 | Stainless steel | Male, NPT | 0.56 (14.2) | 1.75 (44.5) | 5500A2004 |
| 1/2 | Stainless steel | Male, NPT | 0.87 (22.1) | 2.75 (69.7) | 5500A4004 |
| 1 | Stainless steel | Male, NPT | 1.31 (33.3) | 3.87 (98.3) | 5500A6004 |
| 2 | Nickel plated | Male, NPT | 2.37 (60.2) | 5.50 (139.7) | 5500A9004* |

* Nickel plated

| |
|--------------------------|
| Drains |
| Lockout Valves |
| AirGuard |
| Mufflers |
| Ball Valve / Plug Valves |
| Quick Couplings |
| Hose Products |
| Fittings |
| N |
| Airline Accessories |

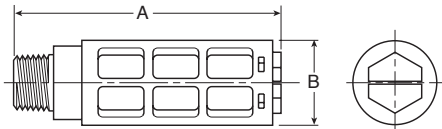


For inventory, lead times, and kit lookup, visit www.pdnplu.com

ASN Air Line Silencer, Plastic

- Compact
- Lightweight
- Easy to Install
- Excellent Noise Reduction
- Protects Components from Contamination
- NPT and BSPT Threads Available

The plastic silencer is designed to give excellent noise reduction with a minimum effect on air efficiency. The “Trimline” design allows for locating the silencer in the tightest places without extra plumbing or fittings. Fits directly into the exhaust port of most commercial valves. Open surface area of element allows for rapid discharge of air without undesirable back pressure.



Operating information

| | |
|------------------------|---|
| Operating pressure: | 0 to 150 psig (0 to 10 bar, 0 to 1034 kPa) |
| Operating temperature: | 14°F to 140°F (-10°C to 60°C) |

Material Specifications

| | |
|---------|------------------|
| Body | Acetal (Plastic) |
| Element | Polyethylene |

ASN Air Line Silencer, Plastic

| Thread Size | A (mm) | B (mm) | Maximum Flow (scfm) 100 psig inlet | Sound Pressure Level (dBA) | | Part Number | |
|-------------|-----------|-----------|---------------------------------------|----------------------------|----------------|---------------|--------------|
| | | | | 20 psig inlet | 100 psig inlet | NPT | BSPT |
| M5 | 0.43 (11) | 0.32 (8) | 15 | 69 | 79 | AS-5 | |
| 1/8" | 1.57 (40) | 0.63 (16) | 51 | 69 | 81 | ASN-6 | AS-6 |
| 1/4" | 2.56 (65) | 0.83 (21) | 124 | 67 | 84 | ASN-8 | AS-8 |
| 3/8" | 3.35 (85) | 0.98 (25) | 247 | 83 | 98 | ASN-10 | AS-10 |
| 1/2" | 3.74 (95) | 1.18 (30) | 370 | 69 | 96 | ASN-15 | AS-15 |

Most popular.

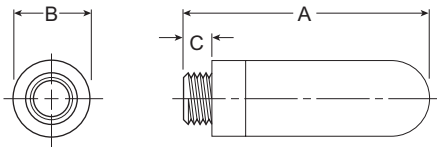
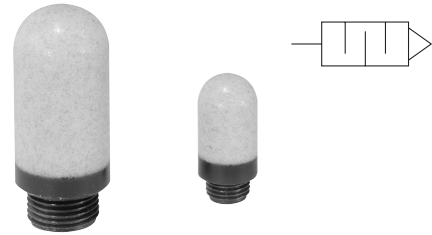


For inventory, lead times, and kit lookup, visit www.pdnplu.com

P6M G Thread Air Line Silencer, Plastic

- All Plastic Ultra Light Weight Versions
- High Noise Level Reduction
- Low Back Pressure Generation

The plastic silencer is designed to give excellent noise reduction with a minimum effect on air efficiency. The “Trimline” design allows for locating the silencer in the tightest places without extra plumbing or fittings. Fits directly into the exhaust port of most commercial valves. Open surface area of element allows for rapid discharge of air without undesirable back pressure.



Operating information

| | |
|------------------------|---|
| Operating pressure: | 0 to 246 psig (0 to 17 bar, 0 to 1700 kPa) |
| Operating temperature: | 14°F to 176°F (-10°C to 80°C) |
| Plastic | 14°F to 165°F (-10°C to 74°C) |
| Metal | |
| Efficiency | 92% |

P6M G Thread, Air Line Silencer, Plastic

| Port Thread | A | Diameter B | C | Weight (grams) | Part Number |
|-------------|------------|------------|-----------|----------------|-----------------|
| M5 | 0.91 (23) | 0.26 (6,5) | 0.16 (4) | 0.01 | P6M-PAC5 |
| G1/8 | 1.14 (29) | 0.55 (14) | 0.24 (6) | 0.02 | P6M-PAB1 |
| G1/4 | 1.34 (34) | 0.67 (17) | 0.24 (6) | 0.04 | P6M-PAB2 |
| G3/8 | 2.36 (60) | 0.98 (25) | 0.35 (9) | 0.06 | P6M-PAB3 |
| G1/2 | 2.52 (64) | 0.98 (25) | 0.43 (11) | 0.10 | P6M-PAB4 |
| G3/4 | 5.51 (140) | 1.50 (38) | 0.55 (14) | 0.50 | P6M-PAB6 |
| G1 | 6.30 (160) | 1.89 (48) | 0.79 (20) | 0.62 | P6M-PAB8 |

Most popular.



For inventory, lead times, and kit lookup, visit www.pdnplu.com

Drains

Lockout Valves

AirGuard

Mufflers

Ball Valve / Plug Valves

Quick Couplings

Hose Products

Fittings

N

Airline Accessories

ECS Reclassifier, Air Line Muffler

The ECS (Muffler-Reclassifier) eliminates unwanted oil mist and reduces exhaust noise from pneumatic valves, cylinders and air motors.

- 99.97% Oil Removal Efficiencies
- 25 dBA Noise Attenuation
- 1/2" NPT and 1" NPT
- Disposable Units
- Continuous or Plugged Drain Option
- Metal Retained Construction
- Fast Exhaust Time

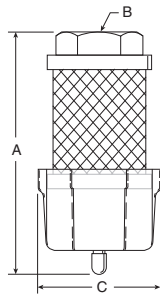
Improve Overall Plant Environment

Exhaust oil mist and noise pollution have a direct impact on worker productivity.

Oil aerosol mist from lubricators and compressors is pervasive and enters the industrial plant environment through the exhaust ports of valves, cylinders and air motors. This rapidly expanding exhaust also produces sudden and excessive noise.

The ECS (Muffler-Reclassifier) is 99.97% efficient at removing the oil aerosols. The ECS also acts as a silencer to lower the dBA levels below O.S.H.A. requirements.

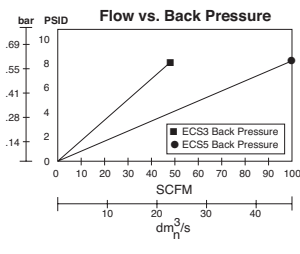
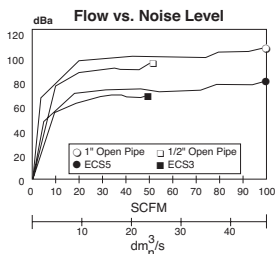
The result is a cleaner, quieter environment which equates to greater work productivity and safety.



ECS Reclassifier, Air Line Muffler

| Thread Size | A | B | C | Part Number |
|-------------|-----------------|-------------|----------------|-------------|
| 1/2 | 5.30 (135mm) | 1/2" NPT | 2.57 (65mm) | ECS3 |
| 1 | 7.30 (185mm) | 1" NPT | 2.57 (65mm) | ECS5 |

Performance Characteristics



Most popular.



Operating information

| | |
|--------------------------------|--------------------|
| Maximum line pressure: | 100 psig (6.8 bar) |
| Maximum operating temperature: | 125°F (52°C) |

Operation

Compressor oils and lubricating oils are exhausted from valves, cylinders and air motors into the ECS. Oil aerosols are “coalesced” into larger droplets and gravity pulls them into the attached drain sump. The sump can then be drained manually or by using a 1/4" ID plastic tube drain. The air flowing into the ECS is also muffled or silenced as it enters the inside of the ECS and passes through the filter media into the atmosphere.

Proven Technology

The ECS units are constructed from the same materials that go into our oil removal coalescing filter elements.

The seamless design insures media uniformity and strength. This proven technology provides high coalescing efficiency with low pressure drop.

The filter media is supported by cylindrical perforated steel retainers both inside and out. These retainers, fully plated for excellent corrosion resistance, give the ECS units high rupture strength in either flow direction. These filters can also be used as high efficiency inlet or bypass filters for vacuum pumps, or breather elements to protect the air above critical process liquids.

ECS3 / ECS5

The ECS solves two problems inherent in compressed air exhaust from valves, cylinders and air motors - oil mist removal and noise abatement.

The ECS will improve your industrial plant environment, thereby improving worker productivity.



For inventory, lead times, and kit lookup, visit www.pdnplu.com

| |
|--------------------------|
| Drains |
| Lockout Valves |
| AirGuard |
| Mufflers |
| Ball Valve / Plug Valves |
| Quick Couplings |
| Hose Products |
| Fittings |
| N |
| Airline Accessories |



For inventory, lead times, and kit lookup, visit www.pdnplu.com

N20

Parker Hannifin Corporation
Pneumatic Division
Richland, Michigan
www.parker.com/pneumatics

**Part Number Index,
Safety Guide, Offer of Sale**

| | |
|--------------------------|---------|
| Part Number Index | O2-O13 |
| Safety Guide | O14-O15 |
| Offer of Sale | O16 |



For inventory, lead times, and kit lookup, visit www.pdnplu.com

| Model No. | Section / Page No. | Model No. | Section / Page No. | Model No. | Section / Page No. |
|-------------|--------------------|--------------|--------------------|---------------|--------------------|
| 02F1BA | J2 | 06E28A13AC | E28 | 06L22BE | E41 |
| 02FA06A | J8 | 06E32A13AC | E28 | 06L24BE | E41 |
| 02FA10A | J8 | 06E32A18AC | E28 | 06L32BE | E41 |
| 02FA22A | J8 | 06E32B13AC | E28 | 06L32BE1 | E41 |
| 02L1B | J38 | 06E32B18AC | E28 | 06L34BE | E41 |
| 02L2B | J38 | 06E34A13AC | E28 | 06R113AC | E17, K22 |
| 02LFB | J38 | 06E34A18AC | E28 | 06R115AC | E17 |
| 04L00GB | D10, J42 | 06E34B18AC | E28 | 06R118AC | E17, K22 |
| 04L03GB | D10, J42 | 06E36A13AC | E28 | 06R213AC | E17 |
| 04L10GB | D10, J42 | 06E36A18AC | E28 | 06R213AC | K22 |
| 04L13GB | D10, J42 | 06E36B13AC | E28 | 06R215AC | E17 |
| 05E12A13A | J36 | 06E37A18AC | E28 | 06R218AC | E17, K22 |
| 05E12A13AB | E25 | 06E38A13AC | E28 | 06R313AC | E17, K22 |
| 05E1PA13A | J36 | 06E38A18AC | E28 | 06R315AC | E17 |
| 05E22A13A | J36 | 06F12AC | E4 | 06R318AC | E17, K22 |
| 05E22A13AB | E25 | 06F12BC | E4 | 07A32A13A2BD | E45 |
| 05E2PA13A | J36 | 06F13AC | E4 | 07A33A18A4BD | E45 |
| 05F12AA | E2 | 06F14AC | E4 | 07A42A13A2BD | E45 |
| 05F22AA | E2 | 06F16AC | E4 | 07A42A18A2BD | E45 |
| 05R113A | K20 | 06F16BC | E4 | 07A46B18A2BD | E45 |
| 05R113AD | E15 | 06F17AC | E4 | 07B32A13A2BD | E47 |
| 05R114AD | E15 | 06F17BC | E4 | 07B32A18A2BDW | E47 |
| 05R118A | K20 | 06F18AC | E4 | 07B33A21A3BD | E47 |
| 05R213A | K20 | 06F18BC | E4 | 07B43A18A4BDW | E47 |
| 05R213AD | E15 | 06F22AC | E4 | 07E32A13AC | E30 |
| 05R214AD | E15 | 06F22AC1 | E5 | 07E32A18AC | E30 |
| 05R218A | K20 | 06F22BC | E4 | 07E32B13AC | E30 |
| 060AA | H14 | 06F24BC | E5 | 07E32B18AC | E30 |
| 060AO | H14 | 06F26AC | E5 | 07E34A13AC | E30 |
| 06E12A13AC | E27 | 06F26BC | E5 | 07E34A15AC | E30 |
| 06E12A18AC | E27 | 06F27BC | E5 | 07E34A18AC | E30 |
| 06E12B18AC | E27 | 06F28BC | E5 | 07E34B13AC | E30 |
| 06E13A13AC | E27 | 06F32AC | E5 | 07E34B18AC | E30 |
| 06E13A13TC | E27 | 06F32BC | E5 | 07E36A13AC | E30 |
| 06E13A18AC | E27 | 06F32BC1 | E5 | 07E36A18AC | E30 |
| 06E14A13AC | E27 | 06F33AC | E5 | 07E36B13AC | E30 |
| 06E14A18AC | E27 | 06F34AC | E5 | 07E36B18AC | E30 |
| 06E16A13AC | E27 | 06F34BC | E5 | 07E37A13AC | E30 |
| 06E16A18AC | E27 | 06F34BC1 | E5 | 07E37B13AC | E31 |
| 06E17B13AC1 | E28 | 06F36AC | E5 | 07E38A13AC | E31 |
| 06E22A13AC | E27 | 06F36BC | E5 | 07E38A18AC | E31 |
| 06E22A18AC | E27 | 06F38AC | E5 | 07E38A21AC | E31 |
| 06E22B13AC | E27 | 06F38BC | E5 | 07E38B18AC | E31 |
| 06E23A18AC | E28 | 06G22A13A2BC | E45 | 07E42A13AC | E31 |
| 06E24A13AC | E28 | 06G24A13A4BC | E45 | 07E42A18AC | E31 |
| 06E24A18AC | E28 | 06G32A18A2BC | E45 | 07E42B13AC | E31 |
| 06E26A13AC | E28 | 06L12BE | E41 | 07E43A13AC | E31 |
| 06E26A18AC | E28 | 06L14BE | E41 | 07E44A13AC | E31 |

Part Number Index

Safety Guide

Offer of Sale

Part Number Index, Safety Guide, Offer of Sale



For inventory, lead times, and kit lookup, visit www.pdnplu.com

| Model No. | Section / Page No. | Model No. | Section / Page No. | Model No. | Section / Page No. |
|------------|--------------------|-------------|--------------------|---------------|--------------------|
| 07E44A18AC | E31 | 10F05ED | D4, J12 | 12F48EC | E13 |
| 07E44B15AC | E31 | 10F07ED | D4, J12 | 12R215PB | E23, K52 |
| 07E44B18AC | E31 | 10F11ED | D4, J12 | 12R321PB | K52 |
| 07E44B21AC | E31 | 10F13ED | D4, J12 | 12R415PB | E23, K52 |
| 07E46A13AC | E31 | 10F15ED | D4, J12 | 12R421PB | K52 |
| 07E46A18AC | E31 | 10F17ED | D4, J12 | 14A01B13F0GF | D12 |
| 07E47A13AC | E31 | 1155H30 | N8 | 14A11B13F0GF | D12 |
| 07E48A13AC | E31 | 118Y51 | K39 | 14E01B13FC | D8, J34 |
| 07F32AC | E7 | 11F12EC | E11 | 14E03B13FC | D8, J34 |
| 07F32BC | E7 | 11F13ECN | E11 | 14E05B13FC | D8, J34 |
| 07F33AC | E7 | 11F13HCN | E11 | 14E07B13FC | D8, J34 |
| 07F34AC | E7 | 11F14EC | E11 | 14E11B13FC | D8, J34 |
| 07F34BC | E7 | 11F16EC | E11 | 14E13B13FC | D8, J34 |
| 07F36AC | E7 | 11F18EC | E11 | 14E15B13FC | D8, J34 |
| 07F36BC | E7 | 11F22EC | E11 | 14E17B13FC | D8, J34 |
| 07F37AC | E7 | 11F26EC | E11 | 14F01BB | D2, J6 |
| 07F38AC | E7 | 11F27EC | E11 | 14F03BB | D2, J6 |
| 07F38BC | E7 | 11F28EC | E11 | 14F05BB | D2, J6 |
| 07F42AC | E7 | 11F32EC | E11 | 14F07BB | D2, J6 |
| 07F42BC | E7 | 11F34EC | E11 | 14F11BB | D2, J6 |
| 07F44AC | E7 | 11F36EC | E11 | 14F13BB | D2, J6 |
| 07F44BC | E7 | 11F37EC | E11 | 14F15BB | D2, J6 |
| 07F46AC | E7 | 11R115PC | E21, K50 | 14F17BB | D2, J6 |
| 07F46BC | E7 | 11R121PC | K50 | 14G01B13F0GD | D12 |
| 07F47AC | E7 | 11R215PC | E21, K50 | 14G11B13F0GD | D12 |
| 07F48AC | E7 | 11R221PC | K50 | 14R013FC | D6, J18, K2 |
| 07L32BE | E43 | 11R315PC | E21, K50 | 14R018FC | D6, J18, K2 |
| 07L32BE1 | E43 | 11R321PC | K50 | 14R113FC | D6, J18, K2 |
| 07L34BE | E43 | 1227A30-001 | B71 | 14R118FC | D6, J18, K2 |
| 07L34FE | E43 | 1232H30-001 | B71 | 1527B7916-001 | B71 |
| 07L3NBE | E43 | 12E33E13AA | E33 | 15F12EA | E9, J14 |
| 07L42BE | E43 | 12E33E18AA | E33 | 15F1PEA | J14 |
| 07L44BE | E43 | 12E37E13AA | E33 | 15F22EA | E9, J14 |
| 07R313AC | E19, K26 | 12E37E18AA | E33 | 15F2PEA | J14 |
| 07R313AC1 | E19 | 12E43E18AA | E33 | 15L22NA | E35 |
| 07R315AC | E19 | 12F32EC | E13 | 15R113FB | J28, K12 |
| 07R318AC | E19, K26 | 12F32ECN | E13 | 15R118FB | J28, K12 |
| 07R321AC | E19 | 12F32HC | E13 | 15R213FB | J28, K12 |
| 07R413AC | E19, K26 | 12F32HCN | E13 | 15R218FB | J28, K12 |
| 07R415AC | E19 | 12F34EC | E13 | 161X57-SS | F11, F15 |
| 07R418AC | E19, K26 | 12F34ECN | E13 | 16G32A18A2BC | E45 |
| 07R418AC1 | E19 | 12F36EC | E13 | 16L12BE | E37 |
| 09L84BA | H32 | 12F36ECN | E13 | 16L14BE | E37 |
| 09L8PBA | H32 | 12F38EC | E13 | 16L22BE | E37 |
| 09R813BA | H26, K40 | 12F38HC | E13 | 16L24BE | E37 |
| 1/4 FF-SS | F3, F7, F11, F15 | 12F42EC | E13 | 16L32BE | E37 |
| 10F01ED | D4, J12 | 12F46EC | E13 | 16L34BE | E37 |
| 10F03ED | D4, J12 | 12F47HC | E13 | 17B32A18A2BD | E47 |

Part Number Index

Safety Guide

Offer of Sale

Part Number Index, Safety Guide, Offer of Sale



For inventory, lead times, and kit lookup, visit www.pdnplu.com

| Model No. | Section / Page No. | Model No. | Section / Page No. | Model No. | Section / Page No. |
|-------------------|--------------------|-----------------|-----------------------|--------------------------|---------------------------|
| 17B42A18A2BD..... | E47 | 51R126RA..... | K42 | BK505Y..... | J33 |
| 17G33A13A4BD..... | E45 | 52R125RA..... | K44 | BK603B..... | H3, H5, H7, H13, H29, H31 |
| 17H44B21A4BD..... | E47 | 52R126RA..... | K44 | BK603C..... | H13 |
| 17L32BE..... | E39 | 52R225RA..... | K44 | BK605WB..... | H3, H5, H7 |
| 17L34BE..... | E39 | 52R226RA..... | K44 | BK606X30B..... | H29, H31 |
| 17L36BE..... | E39 | 52R325RA..... | K44 | BK609WB..... | H29, H31 |
| 17L42BE..... | E39 | 52R326RA..... | K44 | | |
| 17L44BE..... | E39 | 52R425RA..... | K44 | | C |
| 17L46BE..... | E39 | 52R426RA..... | K44 | C10A1304..... | G7, G11, K33 |
| 1834C05-001..... | B71 | 53R425RA..... | K46 | C10A1308..... | G7, G11, K33 |
| 18A57..... | H17, K35 | 53R426RA..... | K46 | C10A1317..... | G7, G11, K33 |
| 18B57..... | H19, K37 | 53R525RA..... | K46 | C11A33..... | G3, G5, G11, G13 |
| 20R013GC..... | K104 | 53R526RA..... | K46 | C628-06FRLEJCE..... | H34 |
| 20R113GC..... | K104 | 53R625RA..... | K46 | C628-06FRLWJCW..... | H34 |
| 3393001..... | M8 | 53R626RA..... | K46 | C628-08FRLEJCE..... | H34 |
| 3393002..... | M8 | 54R725RA..... | K48 | C628-08FRLWJCW..... | H34 |
| 3393003..... | M8 | 54R726RA..... | K48 | C628-12FRLEJCE..... | H34 |
| 3393004..... | M8 | 54R825RA..... | K48 | C628-12FRLWJCW..... | H34 |
| 35F77BAP..... | H8, M2 | 54R826RA..... | K48 | CB-M12-4P-2M..... | B40, B41, K72, K73 |
| 35F77EAP..... | H10, M2 | 5500A2004..... | N8, N16 | CKR10YSS..... | F13, F17 |
| 35F77HAP..... | H10 | 5500A4004..... | N8, N16 | CKR11YSS..... | F13, F17 |
| 35F87BAP..... | H8, M2 | 5500A5013..... | B71 | CKR354YSS..... | F11, F15 |
| 35F87EAP..... | H10, M2 | 5500A6004..... | N16 | CKR364T..... | K107 |
| 35F87HAP..... | H10 | 5500A9004..... | N8, N16 | CKR364Y-1SS..... | F11, F15 |
| 4202..... | H17, K35 | 5500B6004..... | N8 | | |
| 4204..... | H17, K35 | 606Y72..... | H29, H31 | | D |
| 4206..... | K39 | 616A28-SS..... | F5, F9, F13, F17, F19 | DC604-2..... | N4 |
| 43FN7BAP..... | H8, M2 | 988A30..... | N8 | DC604-4..... | N4 |
| 43FN7EAP..... | H10, M2 | | | DC604-6..... | N4 |
| 43FN7HAP..... | H10 | | A | DD15-02..... | M7 |
| 45020002..... | N14 | AS-10..... | N17 | DD15-03..... | M7 |
| 45040004..... | N14 | AS-15..... | N17 | DD15-04..... | M7 |
| 45060060..... | N14 | AS-5..... | N17 | DD15-06..... | M7 |
| 45080080..... | N14 | AS-6..... | N17 | DD30-04..... | M7 |
| 45120012..... | N14 | AS-8..... | N17 | DD30-06..... | M7 |
| 45160016..... | N14 | ASN-10..... | N17 | DD30-08..... | M7 |
| 47020002..... | N15 | ASN-15..... | N17 | DD60-04..... | M7 |
| 47040004..... | N15 | ASN-6..... | N17 | DD60-06..... | M7 |
| 47060006..... | N15 | ASN-8..... | N17 | DD60-08..... | M7 |
| 47080008..... | N15 | | B | DP2-02-001..... | H9, H11 |
| 47120012..... | N15 | B344-01AGC..... | J32 | DP276-P..... | H13 |
| 47160016..... | N15 | B344-01DGC..... | J32 | DP3-01-000..... | H9 |
| 47200020..... | N15 | B344-02AGC..... | J32 | DPG-Kit..... | H14 |
| 47240024..... | N15 | B344-02DGC..... | J32 | DRD1000-A46036014EI..... | M2, M5 |
| 491366..... | K87 | BK504SY..... | J33 | DRD1200-A46036014EI..... | M2, M5 |
| 491367..... | K87 | BK504Y..... | J33 | DRD1600-4A6036014EI..... | M5 |
| 496449..... | K88, K89 | BK505Y..... | J33 | DRD1600-A46036014EI..... | M2 |
| 51R125RA..... | K42 | BK505SY..... | J33 | DRD2000-A46036014EI..... | M2, M5 |

Part Number Index

Safety Guide

Offer of Sale

Part Number Index, Safety Guide, Offer of Sale



For inventory, lead times, and kit lookup, visit www.pdnplu.com

| Model No. | Section / Page No. | Model No. | Section / Page No. | Model No. | Section / Page No. |
|--------------------------|--------------------|-----------------|---|--------------------|--|
| DRD2400-A46036014EI..... | M2, M5 | ES150MC..... | N8, N15 | F701-06E3P..... | H12 |
| DRD325-A23036014EI..... | M2, M5 | ES200MC..... | N8 | F701-06E7P..... | H12 |
| DRD325-A46036014EI..... | M2 | ES25MC..... | N8, N15 | F701-06L3P..... | H12 |
| DRD400-A23036014EI..... | M2, M5 | ES37MC..... | N8, N15 | F701-06L7P..... | H12 |
| DRD400-A46036014EI..... | M2 | ES50MC..... | N8, N15 | F701-08E3P..... | H12 |
| DRD500-A23036014EI..... | M2, M5 | ES75MC..... | N8, N15 | F701-08E7P..... | H12 |
| DRD500-A46036014EI..... | M2 | ESB100MC..... | N15 | F701-08L3P..... | H12 |
| DRD700-A23036014EI..... | M2, M5 | ESB125MC..... | N15 | F701-08L7P..... | H12 |
| DRD700-A46036014EI..... | M2 | ESB12MC..... | N15 | F701-C3-0773..... | H13 |
| DRD800-A23036014EI..... | M2, M5 | ESB150MC..... | N15 | F701-C3-0774..... | H13 |
| DRD800-A46036014EI..... | M2 | ESB25MC..... | N15 | F701-C7-0773..... | H13 |
| DRP-14-447/003..... | M8 | ESB37MC..... | N15 | F701-C7-0774..... | H13 |
| DRP-14-447/006..... | M8 | ESB50MC..... | N15 | FRP-95-505..... | H9 |
| DRP-14-447/012..... | M8 | ESB75MC..... | N15 | FRP-95-508..... | H9 |
| DTK606..... | H29, H31 | EZ03NB6..... | N6 | FRP-96-729..... | J33 |
| | E | EZ04NB6..... | N6 | | G |
| ECS3..... | N19 | EZ06NB6..... | N6 | GRP-95-022..... | H9, H11 |
| ECS5..... | N19 | EZ06NBA..... | N6 | GRP-95-111..... | J23, J33, K7 |
| ED3002N115-K..... | N3 | EZ08NBA..... | N6 | GRP-95-260..... | K43, K45 |
| ED3004N115-K..... | N3 | EZ0ANBA..... | N6 | GRP-95-261..... | K47 |
| ED3007N115-K..... | N3 | | F | GRP-95-262..... | K49 |
| ED3030N115-K..... | N3 | F442001..... | B51, B53, B55, C17, C27, D11, E36, E38, E40, E42, E44, G13, H29, H31, H33, J41, J43 | GRP-95-392..... | H9, H11 |
| ED3100N115-K..... | N3 | F442002..... | B51, B53, B55, C17, C27, D11, E36, E38, E40, E42, E44, G13, H29, H31, H33, J41, J43 | GRP-95-393..... | H9, H11 |
| EFI..... | L3 | F442003..... | B51, B53, B55, C17, D11, E36, E38, E40, E42, E44, G13, H29, H31, H33, J41, J43 | GRP-95-981..... | H9, H11 |
| EK504VY..... | F3, F15 | F442005..... | B51, B53, B55, C17, D11, E36, E38, E40, E42, E44, G13, H29, H31, H33, J41, J43 | GRP-96-717..... | J23, J33, K7 |
| EK504Y..... | F3, F15 | F602-06EJ..... | H2 | GRP-96-718..... | J23, J33, K7 |
| EK55G..... | F5 | F602-06EJR..... | H2 | GRP-96-725..... | J23, J33, K7 |
| EK55J..... | F5 | F602-06WJ..... | H2 | GRP-96-726..... | J23, J33, K7 |
| EK602B..... | H3, H5 | F602-06WJR..... | H2 | | H |
| EK602G..... | H7 | F602-08EJ..... | H2 | HDF-120-NPT-A..... | H14, L5 |
| EK602VB..... | H3, H5 | F602-08EJR..... | H2 | | K |
| EKF10VY..... | F17 | F602-08WJ..... | H2 | K352413B..... | K80 |
| EKF10Y..... | F17 | F602-08WJR..... | H2 | K352428B..... | K80 |
| EKF501H..... | F7 | F602-12EJ..... | H4 | K352429B..... | K80 |
| EKF71..... | F9 | F602-12EJR..... | H4 | K4510N18060..... | B21, B23, B82, J17, K17, K19 |
| EM100..... | N14 | F602-12WJ..... | H4 | K4510N18160..... | B21, B23, B82, J17, K17, K19 |
| EM12..... | N14 | F602-12WJR..... | H4 | K4511SCR04B.... | B21, B25, B27, B29, B43, B82, J17, J31, K17, K23, K25 |
| EM125..... | N14 | F602-16EJ..... | H6 | K4511SCR060.... | B21, B25, B27, B29, B43, B82, J17, J31, K17, K23, K25 |
| EM150..... | N14 | F602-16EJR..... | H6 | K4511SCR11B.... | B21, B25, B27, B29, B43, B82, J17, J31, K17, K23, K25 |
| EM25..... | N14 | F602-16WJ..... | H6 | K4511SCR160.... | B21, B25, B27, B29, B43, B71, B82, J17, J31, K17, K23, K25 |
| EM37..... | N14 | F602-16WJR..... | H6 | | |
| EM50..... | N14 | | | | |
| EM75..... | N14 | | | | |
| EMM5..... | N14 | | | | |
| ES100MC..... | N8, N15 | | | | |
| ES125MC..... | N8, N15 | | | | |
| ES12MC..... | N15 | | | | |

Part Number Index

Safety Guide

Offer of Sale

Part Number Index, Safety Guide, Offer of Sale



For inventory, lead times, and kit lookup, visit www.pdnplu.com

| Model No. | Section / Page No. | Model No. | Section / Page No. | Model No. | Section / Page No. |
|---------------------|--|----------------|--------------------|-----------------------|--|
| K4515N14030..... | E16, E26, J37, K15, K21 | LV2N3B..... | N5 | P0442001 | K15 |
| K4515N14060..... | E16, E26, J37, K15, K21 | LV3N3B..... | N5 | P04425 | E16, E26, J37, K15, K21 |
| K4515N14160..... | E16, E26, J37, K15, K21 | LV3N4BSS | N5 | P04426 | E16, E26, J37, K15, K21 |
| K4515N14160SS | F11, F15 | LV3N6B..... | N5 | P04427 | E16, E26, J37, K15, K21 |
| K4515N14300..... | E16, E26, J37, K15, K21 | LV4N4BSS | N5 | P04428 | K15 |
| K4515N18030..... | B21, B82, D7, D9, J17, J19, J21, J29, J35, K3, K5, K13, K17 | LV4N6B..... | N5 | P11912 | E38, E40, E42, E44 |
| K4515N18060..... | B21, B82, D7, D9, J17, J19, J21, J23, J29, J33, J35, K3, K5, K7, K13, K17 | LV6N6B..... | N5 | P2FC6449..... | B83, C25 |
| K4515N18160..... | B21, B82, D7, D9, J17, J19, J21, J23, J29, J33, J35, K3, K5, K7, K13, K17 | LV6N8BSS | N5 | P2FCA449..... | B83, C25 |
| K4517N14160D | E18, E20, E22, E24, E29, E32, E34, G7, G9, G11, H17, H19, H21, H23, H25, H27, K23, K27, K33, K35, K37, K41, K51, K53, K55, K57, K59, K61 | LV6NAB..... | N5 | P2FCA453..... | B83, C25 |
| K4520N14030..... | B25, B27, B29, B31, B45, B47, B49, B82, K23, K25, K29 | LV8N8BSS | N5 | P2FCB449 | B83, C25 |
| K4520N14060..... | B25, B27, B29, B31, B45, B47, B49, B82, D7, E16, E18, E20, E22, E24, E26, E29, E32, E34, G7, G9, G11, H17, H19, H21, H23, H25, J19, J29, J37, K3, K13, K15, K21, K23, K25, K27, K29, K33, K35, K37, K51, K53, K55, K57, K59, K61 | LV8NAB..... | N5 | P2FCB453 | B83, C25 |
| K4520N14160..... | B25, B27, B29, B31, B45, B47, B49, B82, C9, C27, D7, E16, E18, E20, E22, E24, E26, E29, E32, E34, G7, G9, G11, H17, H19, H21, H23, H25, H27, J19, J29, J37, K3, K13, K15, K21, K23, K25, K27, K29, K31, K33, K35, K37, K41, K51, K53, K55, K57, K59, K61 | LVANAB..... | N5 | P2FP23N4A | B83, C25 |
| K4520N14160SS | F13, F17 | LVBNCB | N5 | P2FP23N4B | B83, C25 |
| K4520N14300..... | B25, B27, B29, B31, B45, B47, B49, B82, C9, C27, E16, E18, E20, E22, E24, E26, E29, E32, E34, G7, G9, G11, H17, H19, H21, H23, H25, H27, J37, K15, K21, K23, K25, K27, K29, K31, K33, K35, K37, K41, K51, K53, K55, K57, K59, K61 | LVBNCBSS | N5 | P31CA92GEBN5LNW | B56 |
| | | LVCNCB..... | N5 | P31CA92GEMN5LNW | B56 |
| | | LVCNCBSS | N5 | P31CB92GEBN5LNW | B56 |
| | | | | P31CB92GEMN5LNW | B56 |
| | | | | P31DA92PPN | B60 |
| | | | | P31DA92SGNC1FN | B60 |
| | | | | P31DA92SGNC2CN | B60 |
| | | | | P31EB92EGBBN5P | B42, J30 |
| | | | | P31EB92EGMBN5P..... | B42, J30 |
| | | | | P31EB92EMBBN5P..... | B42, J30 |
| | | | | P31EB92EMMBN5P | B42, J30 |
| | | | | P31FB92DGBN..... | B14, J10 |
| | | | | P31FB92DGMM | B14, J10 |
| | | | | P31FB92DMBN..... | B14, J10 |
| | | | | P31FB92DMMN..... | B14, J10 |
| | | | | P31FB92EGBN | B8, J4 |
| | | | | P31FB92EGMN..... | B8, J4 |
| | | | | P31FB92EMBN..... | B8, J4 |
| | | | | P31FB92EMMN | B8, J4 |
| | | | | P31HB92BN5P | B22, K18 |
| | | | | P31HB92BNNP..... | B22, K18 |
| | | | | P31KA00CB..... | B9, B15, B21, B23, B43, B51, B77, J5, J11, J17, J31, J41, K17, K19 |
| | | | | P31KA00CY | B82 |
| | | | | P31KA00ES9 | B15, B80, J11 |
| | | | | P31KA00ESA | B15, B80, J11 |
| | | | | P31KA00ESC..... | B15, B80, J11 |
| | | | | P31KA00ESE | B9, B43, B80, J5, J31 |
| | | | | P31KA00MM..... | B21, B23, B43, B80, J17, J31, K17, K19 |
| | | | | P31KA00MP | B21, B23, B43, B80, J17, J31, K17, K19 |
| | | | | P31KA00MT..... | B9, B15, B21, B23, B43, B51, B77, J5, J11, J17, J31, J41, K17, K19 |
| | | | | P31KA00MW | B9, B15, B21, B43, B51, |

M

P

L

Part Number Index

Safety Guide

Offer of Sale

Part Number Index, Safety Guide, Offer of Sale



For inventory, lead times, and kit lookup, visit www.pdnplu.com

| Model No. | Section / Page No. | Model No. | Section / Page No. | Model No. | Section / Page No. |
|-----------------------|--|-----------------------|--------------------|----------------------|---|
| | B77, J5, J11, J17, J31, J41, K17 | P31QB92GEMN5LNW | B56 | P32EB94ESMBNGP | B44 |
| P31KA00PL | B51, B80, J41 | P31RB92BN5P | B20, J16, K16 | P32EB94ESMPNGP..... | B46 |
| P31KA11CN..... | B77 | P31RB92BNNP..... | B20, J16, K16 | P32FB92DGAN..... | B16 |
| P31KA11CP..... | B77 | P31SA92PPN..... | B62 | P32FB92DGMN | B16 |
| P31KA12CN..... | B77 | P31SA92SGNC1FN | B62 | P32FB92DSAN | B16 |
| P31KA12CP..... | B77 | P31SA92SGNC2CN..... | B62 | P32FB92DSMN..... | B16 |
| P31KA13CN..... | B77 | P31SA92Y0N | B62 | P32FB92EGAN | B10 |
| P31KA13CP..... | B77 | P31TA92PPN | B64 | P32FB92EGMN..... | B10 |
| P31KA21CN..... | B77 | P31TA92SGNC1FN..... | B64 | P32FB92ESAN..... | B10 |
| P31KA21CP..... | B77 | P31TA92SGNC2CN | B64 | P32FB92ESMN..... | B10 |
| P31KA22CN..... | B77 | P31VB92LBNN | B74 | P32FB93DGAN | B16 |
| P31KA22CP..... | B77 | P32CA92GEANGLNW | B57 | P32FB93DGMN | B16 |
| P31KA23CN..... | B77 | P32CA92GEMNGLNW..... | B57 | P32FB93DSAN | B16 |
| P31KA23CP..... | B77 | P32CA93GEANGLNW | B57 | P32FB93DSMN..... | B16 |
| P31KA91CN..... | B77 | P32CA93GEMNGLNW..... | B57 | P32FB93EGAN | B10 |
| P31KA91CP..... | B77 | P32CA94GEANGLNW | B57 | P32FB93EGMN..... | B10 |
| P31KA92CN..... | B77 | P32CA94GEMNGLNW..... | B57 | P32FB93ESAN..... | B10 |
| P31KA92CP..... | B77 | P32CB92GEANGLNW | B57 | P32FB93ESMN..... | B10 |
| P31KA93CN..... | B77 | P32CB92GEMNGLNW..... | B57 | P32FB94DGAN | B16 |
| P31KA93CP..... | B77 | P32CB93GEANGLNW | B57 | P32FB94DGMN | B16 |
| P31KB00AL | B82 | P32CB93GEMNGLNW..... | B57 | P32FB94DSAN | B16, M2 |
| P31KB00AT..... | B82, J23, K7 | P32CB94GEANGLNW | B57 | P32FB94DSMN..... | B16 |
| P31KB00BGB | B9, B15, B43, B81, J5, J11, J31 | P32CB94GEMNGLNW..... | B57 | P32FB94EGAN | B10 |
| P31KB00BGM | B9, B15, B43, B81, J5, J11, J31 | P32DA94PPN | B60 | P32FB94EGMN..... | B10 |
| P31KB00BGN..... | B51, B80, J41 | P32DA94SCNA2CN..... | B60 | P32FB94ESAN..... | B10, M2 |
| P31KB00BMB..... | B9, B15, B43, B81, J5, J11, J31 | P32DA94SCNA3GN..... | B60 | P32FB94ESMN | B10 |
| P31KB00BMM | B9, B15, B81, J5, J11 | P32EB92EGABNGP | B44 | P32HB92BNNP..... | B28, K24 |
| P31KB00BMN..... | B51, B81, J41 | P32EB92EGAPNGP | B46 | P32HB93BNNP..... | B28, K24 |
| P31KB00MR | B21, B23, B43, B77, J17, J31, K17, K19 | P32EB92EGMBNGP | B44 | P32HB94BNNP..... | B28, K24 |
| P31KB00PR..... | B82 | P32EB92EGMPNGP | B46 | P32KA00CB..... | B11, B13, B17, B19, B25, B27, B29, B31, B45, B47, B49, B53, B55, B71, B78, B79, K23, K25, K29 |
| P31KB00PS..... | B82 | P32EB92ESABNGP | B44 | P32KA00CY | B82 |
| P31KB00PT | B82 | P32EB92ESAPNGP | B46 | P32KA00DA..... | B11, B13, B17, B19, B45, B47, B49, B80 |
| P31KB00PV | B82 | P32EB92ESMBNGP | B44 | P32KA00ES9 | B17, B80 |
| P31KB00RB..... | B21, B23, B43, B81, J17, J31, K17, K19 | P32EB92ESMPNGP..... | B46 | P32KA00ESA | B17, B80 |
| P31KB00RC..... | B21, B23, B43, B81, J17, J31, K17, K19 | P32EB93EGABNGP | B44 | P32KA00ESC..... | B17, B80 |
| P31KB00RQ | B15, B80, J11 | P32EB93EGMPNGP | B46 | P32KA00ESE | B11, B45, B47, B80 |
| P31LB92LGNN | B50, J40 | P32EB93ESABNGP | B44 | P32KA00MB | B11, B13, B17, B19, B25, B27, B29, B31, B45, B47, B49, B53, B55, B63, B65, B71, B78, B79, K23, K25, K29 |
| P31LB92LMNN | B50, J40 | P32EB93ESAPNGP | B46 | P32KA00ML..... | B11, B17, B53, B63, B65, B78 |
| P31MA92022N | B75 | P32EB93ESMBNGP | B44 | P32KA00MM..... | B25, B27, B29, B45, B47, B80, K23, K25 |
| P31PA92AD2VD1A | B32, K64 | P32EB93ESMPNGP..... | B46 | P32KA00MP | B25, B27, B29, B45, B47, B80, K23, K25 |
| P31QA92GEBN5LNW | B56 | P32EB94EGABNGP | B44 | P32KA00MT..... | B11, B17, B19, B25, B27, B29, B31, B45, B47, B49, B53, B55, B63, |
| P31QA92GEMN5LNW | B56 | P32EB94EGAPNGP..... | B46 | | |
| P31QB92GEBN5LNW | B56 | P32EB94EGMBNGP | B44 | | |
| | | P32EB94EGMPNGP | B46 | | |
| | | P32EB94ESABNGP | B44 | | |
| | | P32EB94ESAPNGP | B46 | | |

Part Number Index
Safety Guide
Offer of Sale
Part Number Index, Safety Guide, Offer of Sale



For inventory, lead times, and kit lookup, visit www.pdnplu.com



| Model No. | Section / Page No. | Model No. | Section / Page No. | Model No. | Section / Page No. |
|-----------------------------------|--|----------------------|--------------------|----------------------|--------------------|
| B65, B71, B78, B79, K23, K25, K29 | | P32QA93GEMNGLNW..... | B57 | P33FA94DSAN..... | B18 |
| P32KA00PG..... | B51, B53, B55, J41 | P32QA94GEANGLNW..... | B57 | P33FA94DSMN..... | B18 |
| P32KA00PH..... | B80 | P32QA94GEMNGLNW..... | B57 | P33FA94EGAN..... | B12 |
| P32KA00PL..... | B53, B55, B80 | P32QB92GEANGLNW..... | B57 | P33FA94EGMN..... | B12 |
| P32KA00RQ..... | B17, B19, B80 | P32QB92GEMNGLNW..... | B57 | P33FA94ESAN..... | B12 |
| P32KA12CP..... | B78, B79 | P32QB93GEANGLNW..... | B57 | P33FA94ESMN..... | B12 |
| P32KA13CP..... | B78, B79 | P32QB93GEMNGLNW..... | B57 | P33FA96DGAN..... | B18 |
| P32KA14CP..... | B71, B78, B79 | P32QB94GEANGLNW..... | B57 | P33FA96DGMN..... | B18 |
| P32KA16CP..... | B71, B78, B79 | P32QB94GEMNGLNW..... | B57 | P33FA96DSAN..... | B18, M2 |
| P32KA22CP..... | B78, B79 | P32RB92BNGP..... | B24, K22 | P33FA96DSMN..... | B18 |
| P32KA23CP..... | B78, B79 | P32RB92BNNP..... | B24, K22 | P33FA96EGAN..... | B12 |
| P32KA24CP..... | B71, B78, B79 | P32RB92PNGP..... | B26 | P33FA96EGMN..... | B12 |
| P32KA26CP..... | B71, B78, B79 | P32RB92PNNP..... | B26 | P33FA96ESAN..... | B12, M2 |
| P32KA92CP..... | B78, B79 | P32RB93BNGP..... | B24, K22 | P33FA96ESMN..... | B12 |
| P32KA93CP..... | B78, B79 | P32RB93BNNP..... | B24, K22 | P33KA00BGA..... | B81 |
| P32KA94CP..... | B71, B78, B79 | P32RB93PNGP..... | B26 | P33KA00BGM..... | B13, B19, B49, B81 |
| P32KA96CP..... | B71, B78, B79 | P32RB93PNNP..... | B26 | P33KA00BGN..... | B55, B80 |
| P32KB00AL..... | B82 | P32RB94BNGP..... | B24, K22 | P33KA00BMA..... | B81 |
| P32KB00AT..... | B82 | P32RB94BNNP..... | B24, K22 | P33KA00BMM..... | B81 |
| P32KB00BGA..... | B81 | P32RB94PNGP..... | B26 | P33KA00BMN..... | B55, B81 |
| P32KB00BGM..... | B11, B17, B45, B47, B81 | P32RB94PNNP..... | B26 | P33KA00BSA..... | B81 |
| P32KB00BGN..... | B53, B80 | P32SA94PPN..... | B62 | P33KA00BSM..... | B13, B19, B49, B81 |
| P32KB00BMA..... | B81 | P32SA94SCNA2CN..... | B62 | P33KA00BSN..... | B55, B81 |
| P32KB00BMM..... | B81 | P32SA94SCNA3GN..... | B62 | P33KA00ES9..... | B19, B80 |
| P32KB00BMN..... | B53, B81 | P32SA94Y0N..... | B62 | P33KA00ESA..... | B19, B80 |
| P32KB00BSA..... | B81 | P32TA94PPN..... | B64 | P33KA00ESC..... | B19, B80 |
| P32KB00BSM..... | B11, B17, B45, B47, B81 | P32TA94SCNA2CN..... | B64 | P33KA00ESE..... | B13, B49, B80 |
| P32KB00BSN..... | B53, B81 | P32TA94SCNA3GN..... | B64 | P33KA00ML..... | B13, B19, B55, B79 |
| P32KB00MR..... | B25, B27, B29, B45, B47, B78, K23, K25 | P32VB93LBNN..... | B74 | P33KA00MM..... | B31, B49, B80, K29 |
| P32KB00PR..... | B82 | P32VB94LBNN..... | B74 | P33KA00MP..... | B31, B49, B80, K29 |
| P32KB00PS..... | B82 | P33CA94GEANGLNW..... | B58 | P33KA00MR..... | B31, B49, B79, K29 |
| P32KB00PT..... | B82 | P33CA94GEMNGLNW..... | B58 | P33KA00MT..... | B13 |
| P32KB00PV..... | B82 | P33CA96GEANGLNW..... | B58 | P33KA00PR..... | B82 |
| P32KB00RB..... | B25, B27, B29, B45, B47, B81, K23, K25 | P33CA96GEMNGLNW..... | B58 | P33KA00PS..... | B82 |
| P32KB00RC..... | B25, B27, B29, B45, B47, B81, K23, K25 | P33CB94GEANGLNW..... | B58 | P33KA00PT..... | B82 |
| P32LB92LGNN..... | B52 | P33CB94GEMNGLNW..... | B58 | P33KA00PV..... | B82 |
| P32LB92LSNN..... | B52 | P33CB96GEANGLNW..... | B58 | P33KA00RB..... | B31, B49, B81, K29 |
| P32LB93LGNN..... | B52 | P33CB96GEMNGLNW..... | B58 | P33KA00RC..... | B31, B49, B81, K29 |
| P32LB93LSNN..... | B52 | P33EA94EGABNGP..... | B48 | P33LA94LGNN..... | B54 |
| P32LB94LGNN..... | B52 | P33EA94EGMBNGP..... | B48 | P33LA94LSNN..... | B54 |
| P32LB94LSNN..... | B52 | P33EA94ESABNGP..... | B48 | P33LA96LGNN..... | B54 |
| P32MA94024N..... | B75 | P33EA94ESMBNGP..... | B48 | P33LA96LSNN..... | B54 |
| P32PA92AD2VD1A..... | B32, K64 | P33EA96EGABNGP..... | B48 | P33MA96024N..... | B75 |
| P32QA92GEANGLNW..... | B57 | P33EA96EGMBNGP..... | B48 | P33QA94GEANGLNW..... | B58 |
| P32QA92GEMNGLNW..... | B57 | P33EA96ESABNGP..... | B48 | P33QA94GEMNGLNW..... | B58 |
| P32QA93GEANGLNW..... | B57 | P33EA96ESMBNGP..... | B48 | P33QA96GEANGLNW..... | B58 |
| | | P33FA94DGAN..... | B18 | P33QA96GEMNGLNW..... | B58 |
| | | P33FA94DGMN..... | B18 | P33QB94GEANGLNW..... | B58 |

Part Number Index
Safety Guide
Offer of Sale
Part Number Index, Safety Guide, Offer of Sale



For inventory, lead times, and kit lookup, visit www.pdnplu.com

| Model No. | Section / Page No. | Model No. | Section / Page No. | Model No. | Section / Page No. |
|-----------------|--------------------|---------------|--|-----------------|--------------------|
| P33QB94GEMNGLNW | B58 | P3NKA00BSN | G13 | P3RA30242 | K90 |
| P33QB96GEANGLNW | B58 | P3NKA00ESA | G3, G11 | P3RA30252 | K90 |
| P33QB96GEMNGLNW | B58 | P3NKA00ESCB | G5 | P3TFA92WAAN | L2, L4 |
| P33RA94BNGP | B30, K28 | P3NKA00ESE | G3, G11 | P3TFA93WBAN | L2, L4 |
| P33RA94BNNP | B30, K28 | P3NKA00ESG | G3, G11 | P3TFA94WCAN | L2, L4, M2 |
| P33RA96BNGP | B30, K28 | P3NKA00MW | E51, G3, G5, G7, G9, G11, G13, G15, K33, K55 | P3TFA96WDAN | L2, L4, M2 |
| P33RA96BNNP | B30, K28 | P3NKA00PD | G9, K55 | P3TFA98WEAN | L2, L4, M2 |
| P33TA96RG4F2CN | B70 | P3NKA00PE | G3, G5, G11, G13 | P3TFA9BWGAN | L2, L4, M2 |
| P33TA96RG4G2CN | B70 | P3NKA00PK | G13 | P3TFA9CWHAN | L2, L4, M2 |
| P33VB94LBNN | B74 | P3NKA00PL | G13 | P3TFA9EWKAN | L2, L4, M2 |
| P33VB96LBNN | B74 | P3NKA00PM | G15 | P3TFAFFD2AN | H14, M2 |
| P3A-RN91YNN | J20 | P3NKA00PN | G7, G11, K33 | P3TFAFFQ2AN | H14, M2 |
| P3A-RN91YNN | K4 | P3NKA00PN | G7, G11, K33 | P3TFAFFW2AN | L5, M2 |
| P3BA20812 | K100, K102 | P3NKA00RL | G13 | P3TFAFGD3AN | H14, M2 |
| P3BA20822 | K100, K102 | P3NKA00RN | G7, G11, K33 | P3TFAFGQ3AN | H14, M2 |
| P3BA20823 | K100 | P3NKA00RR | G7, G11, K33 | P3TFAFGW3AN | L5, M2 |
| P3EA63242NS | K98 | P3NKB16CL | G15 | P3TKA00MWA | L4 |
| P3EA63252NS | K98 | P3NKB16CP | G15 | P3TKA00MWB | L4 |
| P3HKA00MC | B40, B61, K72 | P3NKB18CL | G15 | P3TKA00MWD | L4 |
| P3HKA00ML | B40, B61, K72 | P3NKB18CP | G15 | P3TKA00MWF | L4 |
| P3KKA00MC | B41, K73 | P3NKB1BCL | G15 | P3TKA00MWJ | L4 |
| P3KKA00ML | B41, K73 | P3NKB1BCP | G15 | P3XKA00AS | C15, C27 |
| P3NCA96SGMNNLNA | G14 | P3NKB96CL | G15 | P3YCA96SEANFLNF | C18 |
| P3NCA98SGMNNLNA | G14 | P3NKB96CP | G15 | P3YCA96SECNFLNF | C18 |
| P3NCA9PSGMNNLNA | G14 | P3NKB98CL | G15 | P3YCA98SEANFLNF | C18 |
| P3NCB96SGMNNLNA | G14 | P3NKB98CP | G15 | P3YCA98SECNFLNF | C18 |
| P3NCB98SGMNNLNA | G14 | P3NKB9BCL | G15 | P3YCB96SEANFLNF | C18 |
| P3NCB9PSGMNNLNA | G14 | P3NKB9BCP | G15 | P3YCB96SECNFLNF | C18 |
| P3NEA96GSABNN | G10 | P3NLA96LSN | G12 | P3YCB98SEANFLNF | C18 |
| P3NEA96GSMBNN | G10 | P3NLA98LSN | G12 | P3YCB98SECNFLNF | C18 |
| P3NEA98GSABNN | G10 | P3NLA9PLSN | G12 | P3YEA96ESABNEN | C14 |
| P3NEA98GSMBNN | G10 | P3NRA96BNG | G6, K32 | P3YEA96ESABNFN | C14 |
| P3NEA9PGSABNN | G10 | P3NRA96BNN | G6, K32 | P3YEA96ESCBNEN | C14 |
| P3NEA9PGSMBNN | G10 | P3NRA96BPP | G8, K54 | P3YEA96ESCBNFN | C14 |
| P3NFA96DSA | G4 | P3NRA98BNG | G6, K32 | P3YEA98ESABNEN | C14 |
| P3NFA96DSM | G4 | P3NRA98BNN | G6, K32 | P3YEA98ESABNFN | C14 |
| P3NFA96GSA | G2 | P3NRA98BPP | G8, K54 | P3YEA98ESCBNEN | C14 |
| P3NFA96GSM | G2 | P3NRA9PBNG | G6, K32 | P3YEA98ESCBNFN | C14 |
| P3NFA98DSA | G4 | P3NRA9PBNN | G6, K32 | P3YFA96DSAN | C6 |
| P3NFA98DSM | G4 | P3NRA9PBPP | G8, K54 | P3YFA96DSCN | C6 |
| P3NFA98GSA | G2 | P3RA10232 | K92 | P3YFA96ESAN | C4 |
| P3NFA98GSM | G2 | P3RA10232BP | K94 | P3YFA96ESCN | C4 |
| P3NFA9PDSA | G4, M2 | P3RA10242 | K92 | P3YFA98DSAN | C6, M2 |
| P3NFA9PDSM | G4 | P3RA10242BP | K94 | P3YFA98DSCN | C6 |
| P3NFA9PGSA | G2, M2 | P3RA10262 | K92 | P3YFA98ESAN | C4, M2 |
| P3NFA9PGSM | G2 | P3RA10262BP | K94 | P3YFA98ESCN | C4 |
| P3NKA00BSA | G3, G5, G11 | P3RA17132NNKN | K96 | P3YKA00BSA | C5, C7, C15, C27 |
| P3NKA00BSM | G3, G5, G11, G13 | P3RA30232 | K90 | P3YKA00BSC | C5, C7, C15, C27 |

Part Number Index

Safety Guide

Offer of Sale

Part Number Index, Safety Guide, Offer of Sale



For inventory, lead times, and kit lookup, visit www.pdnplu.com

| Model No. | Section / Page No. | Model No. | Section / Page No. | Model No. | Section / Page No. |
|----------------|---|---------------|---|-------------|--|
| P3YKA00BSN | C17, C27 | P6G-PR90160 | B21, B23, B25, B27, B29, B82, J17, K17, K19, K23, K25 | PS19513-13 | K101 |
| P3YKA00CB | C27 | P6M-PAB1 | N18 | PS19549-1 | K103 |
| P3YKA00CW | C27 | P6M-PAB2 | N18 | PS19549-1E | K103 |
| P3YKA00ESA | C7, C27 | P6M-PAB3 | N18 | PS19549-2 | K103 |
| P3YKA00ESC | C7, C27 | P6M-PAB4 | N18 | PS19549-20E | K103 |
| P3YKA00ESE | C5, C15, C27 | P6M-PAB6 | N18 | PS19549-3 | K103 |
| P3YKA00ESG | C5 | P6M-PAB8 | N18 | PS19968-NR | K99 |
| P3YKA00MM | C9, C15, C27, K31 | P6M-PAC5 | N18 | PS2028BP | B84, C26 |
| P3YKA00MS | C9, C15, C27, K31 | P78652 | D7, D9, J19, J21, J29, J35, K3, K5, K13 | PS2028JBP | B84 |
| P3YKA00PL | C17, C27 | PB11-04WJCRSS | F16 | PS2028JCP | B84, C26 |
| P3YKA00RN | C9, C15, C27, K31 | PB11-04WJCSS | F16 | PS203279BP | B84, C26 |
| P3YKA00RQ | C7, C27 | PB12-04WJCRSS | F16 | PS203283BP | B84, C26 |
| P3YKA00RR | C9, C15, C27, K31 | PB12-04WJCSS | F16 | PS2032J79CP | B84, C26 |
| P3YKA08CY | C27 | PB548-02DHCSS | F14 | PS2032J83CP | B84, C26 |
| P3YLA96LSNN | C16 | PB558-02DHCSS | F14 | PS20966-9 | K97 |
| P3YLA98LSNN | C16 | PCKR364T | K105 | PS20967-1 | K97 |
| P3YMA1V0N | C24 | PCKR364Y | K105 | PS21667-1 | K91 |
| P3YMA9V0N | C24 | PF10-04WJRSS | F4 | PS2429BP | B84, C26 |
| P3YPA96BD2VA2A | C12 | PF10-04WJSS | F4 | PS2429JBP | B84, C26 |
| P3YPA98BD2VA2A | C12 | PF11-04WJRSS | F8 | PS243079BP | B84, C26 |
| P3YRA96BNEN | C8, K30 | PF11-04WJSS | F8 | PS243083BP | B84, C26 |
| P3YRA96BNFN | C8, K30 | PF501-02DHRSS | F6 | PS2430J79BP | B84, C26 |
| P3YRA96BPPN | C10, K62 | PF501-02DHSS | F6 | PS2430J83BP | B84, C26 |
| P3YRA98BNEN | C8, K30 | PF501-02DHRSS | F2 | PS2932BP | B84, K80 |
| P3YRA98BNFN | C8, K30 | PF504-02DHRSS | F2 | PS2932JBP | B84, E10, E12, E14, J15, K80 |
| P3YRA98BPPN | C10, K62 | PL10-04DSS | F18 | PS294675BP | K80 |
| P3YSA96Y0N | C22 | PL10-04WSS | F18 | PS294679BP | B84, C26, K80 |
| P3YSA98Y0N | C22 | PPS1-2C3-RHM | N8 | PS294683BP | B84, C26, K80 |
| P3YTA96PPN | C20 | PPS1-2C3-RWL | N8 | PS2946J75BP | K80 |
| P3YTA96SCNA2CN | C20 | PR10-04CSS | F12 | PS2946J79BP | B84, C26, K80 |
| P3YTA98PPN | C20 | PR11-04CSS | F12 | PS2946J83BP | B84, C26, K80 |
| P3YTA98SCNA2CN | C20 | PR354-02CSS | F10 | PS2982B42P | K80 |
| P4CG4201D003 | K82 | PR364-02CSS | F10 | PS2982B45P | K80 |
| P4CN2001C001 | K82 | PRKR163Y | K105 | PS2982B49P | B83, K80 |
| P4CN4001C001 | K82 | PRKR164Y | K105 | PS2982B53P | B83, K80 |
| P4GAA92 | N13 | PS09921 | K93, K95, K97, K101 | PS3202B42P | K80 |
| P4GAA93 | N13 | PS12125-1 | K93 | PS3202B45P | K80 |
| P4GAA94 | N13 | PS12125-4 | K93 | PS3202B49P | K80 |
| P4GAA96 | N13 | PS12127-1 | K95 | PS3202B53P | K80 |
| P4GAA98 | N13 | PS12163 | K91 | PS401P | D3, D9, J7, J35 |
| P4GBA92 | N13 | PS12165 | K93, K95, K99 | PS403P | D3, D9, J7, J35 |
| P4GBA93 | N13 | PS16116-13 | K91 | PS404P | D3, D5, D9, J7, J13, J35 |
| P4GBA94 | N13 | PS16116-14 | K91 | PS407P | D3, J7 |
| P6G-PR10040 | B21, B23, B25, B27, B29, B82, J17, K17, K19, K23, K25 | PS19513-11 | K101 | PS408BP | D3, D5, D9, J7, J13, J35 |
| P6G-PR10110 | B21, B23, B25, B27, B29, B82, J17, K17, K19, K23, K25 | PS19513-11I | K101 | PS417BP | D3, D5, D7, D9, D13, E51, J7, J13, J19, J21, J29, J35, K3, K5, K13 |
| P6G-PR90060 | B21, B23, B25, B27, B29, B82, J17, K17, K19, K23, K25 | PS19513-12 | K101 | PS419 | D11, D13, E51, J43 |

Part Number Index
Safety Guide
Offer of Sale
Part Number Index, Safety Guide, Offer of Sale



For inventory, lead times, and kit lookup, visit www.pdnplu.com

| Model No. | Section / Page No. | Model No. | Section / Page No. | Model No. | Section / Page No. |
|-----------|--|-----------|-----------------------------------|-----------|---|
| PS420P | D11, J43 | PS717P | E38, E42 | PS810P | E32 |
| PS421P | D11, J43 | PS718P | E42, E44 | PS811P | E32 |
| PS424BP | J29, K13 | PS719P | E38, E42 | PS813P | E24, E32, K53 |
| PS426P | D7, D9, J19, J21, J29, J35, K3, K5, K13 | PS720P | E42 | PS817P | E40, E44 |
| PS428P | D7, D9, J19, J21, J29, J35, K3, K5, K13 | PS722P | E6, E12, E29 | PS819P | E40, E44 |
| PS434 | J39 | PS723P | E6, E12, E29 | PS820P | E40, E44 |
| PS435 | J39 | PS724P | E12 | PS822P | E8, E14, E32 |
| PS436 | J3 | PS726P | E6, E12, E29 | PS823P | E8, E14, E32 |
| PS446P | D5, J13 | PS728P | E38 | PS824P | E14 |
| PS447BP | D3, D5, D9, D11, J7, J13, J35, J43 | PS729P | E38, E42 | PS826P | E8, E14, E32, E34 |
| PS451BP | D3, D5, D9, J7, J13, J35 | PS730P | E12 | PS829P | E40, E44 |
| PS452P | D3, D9, J7, J35 | PS731P | E6, E29 | PS830P | E14 |
| PS454B | J29, K13 | PS732P | E6, E12, E29 | PS831P | E8, E32 |
| PS456P | D5, J13 | PS734P | E6, E12, E29 | PS832P | E8, E14, E32 |
| PS506P | E6, E8, E12, E14, E29, E32, E34, G3, G5, G11 | PS735P | E6, E12, E29 | PS834P | E8, E14, E32, E34 |
| PS512P | E3, E6, E8, E10, E12, E14, E26, E29, E32, E34, E36, E38, E40, E42, E44, G3, G5, G11, G13 | PS737P | E18, E20, E29, E32, E34, K23, K27 | PS835P | E8, E14, E32 |
| PS512P | J15, J37 | PS738P | E42, E44 | PS843P | E8, E14, E40, E44, E51 |
| PS602P | H27, K41 | PS739P | E38, E40 | PS846P | E40, E44 |
| PS603P | H27, K41 | PS740N | E38, E40, E42, E44, F19, G13 | PS847P | E24, K53 |
| PS604P | H27, K41 | PS740P | E36, E38, E40, E42, E44, G13 | PS849P | E24, K53 |
| PS605P | H27, K41 | PS741P | E42, E44 | PS850P | E50 |
| PS607P | H33 | PS742P | E38, E40 | PS851P | E50 |
| PS610P | H33 | PS743P | E6, E12, E38, E42, E51 | PS852P | E50 |
| PS612P | H33 | PS745P | E22, E24, K51, K53 | PS853P | E50 |
| PS613P | H33 | PS746P | E38, E42 | PS854P | E49 |
| PS626P | H27, K41 | PS747P | E22, K51 | PS856P | E49 |
| PS627 | H27, K41 | PS748P | E38, E40 | PS857P | E49 |
| PS701P | E6, E29 | PS749P | E22, K51 | PS860P | E50 |
| PS702P | E6, E29 | PS750P | E50 | PS865P | E50 |
| PS705P | E6, E12, E29, E38, E42 | PS751P | E50 | PS866P | E50 |
| PS707P | E18, E22, E29, E51 | PS752P | E50 | PS867P | E50 |
| PS707P | K23, K51 | PS755P | E49 | PS884P | E34 |
| PS708P | E18 | PS756P | E49 | PS885P | E34 |
| PS708P | K23 | PS757P | E49 | PS886P | E34 |
| PS708RP | E18 | PS764 | E10, J15 | PS901P | E3, E26, J37 |
| PS708RP | K23 | PS765P | E50 | PS902P | E26, J37 |
| PS709P | E18 | PS766P | E50 | PS905P | E3, E10, E26, E36, J15, J37 |
| PS709P | K23 | PS767P | E50 | PS907P | K15 |
| PS710P | E29 | PS781P | E10, E12, E14, G3, G5, J15 | PS908P | E16, E26, J37, K21 |
| PS711P | E29 | PS801P | E8, E32 | PS910P | K15 |
| PS713P | E22, E29, K51 | PS802P | E8, E32 | PS914P | E3, E6, E8, E10, E12, E14, E26, E36, J15, J37 |
| PS715P | E18, E20, E29, E32, E34, K23, K27 | PS805P | E8, E14, E32, E40, E44 | PS915P | E16, E26, J37, K21 |
| PS716P | E38, E40, E42, E44 | PS807P | E20, E24, E32, E34, E51, K27, K53 | PS924P | E10, J15 |
| | | PS808P | E20, K27 | PS931P | E3, E26, J37 |
| | | PS808RP | E20, K27 | PS932P | E3, E10, E26, J15, J37 |
| | | PS809P | E20, K27 | PS943P | E3, E10, E36, E51, J15 |
| | | | | PS946P | E36 |
| | | | | PS948P | E36 |

Part Number Index

Safety Guide

Offer of Sale

Part Number Index, Safety Guide, Offer of Sale



For inventory, lead times, and kit lookup, visit www.pdnplu.com

| Model No. | Section / Page No. | Model No. | Section / Page No. | Model No. | Section / Page No. |
|------------------|---|-----------------|--------------------|-----------------------|---|
| PS954P..... | E49 | R25-01C..... | J24, K8 | RK602MD..... | H3, H5, H7 |
| PS955P..... | E49 | R25-02C..... | J24, K8 | RK606SY..... | H29, H31 |
| PS963P..... | E16, E26, E51, J37, K15, K21 | R342-0MA..... | J22, K6 | RK606Y..... | H29, H31 |
| PS964P..... | E16, E26, J37, K15, K21 | R342-0MB..... | J22, K6 | RK701P..... | H13 |
| PS995P..... | E3, E10, E26, J15, J37 | R342-0MC..... | J22, K6 | RKB605WB..... | H3, H5, H7, H29, H31 |
| PS998P..... | E3, E10, E26, J15, J37 | R344-01A..... | J22, K6 | RKB606X30B..... | H29, H31 |
| | R | R344-01AG..... | J22, K6 | RKC 4.5T-2/S1587..... | B71, C13 |
| R05X51..... | J27, K11 | R344-01B..... | J22, K6 | RKC119Y..... | H17, K35 |
| R05X51-A..... | J23, J25, J27, J33, K7, K9, K11, K105 | R344-01BG..... | J22, K6 | RKC8T-2..... | K88 |
| R05X51-P..... | F11, F15, J23, J25, J33, K7, K9, K105, K107, K109 | R344-01C..... | J22, K6 | RKDD15-02-06..... | M8 |
| R05X51-SS..... | F11, F15 | R344-01CG..... | J22, K6 | RKDD30-03-08..... | M8 |
| R10X51-P..... | F13, F17 | R344-02A..... | J22, K6 | RKDD60-03-08..... | M8 |
| R10X51-SS..... | F13, F17 | R344-02AG..... | J22, K6 | RKL10SS..... | F19 |
| R10Y57-SS..... | F13, F17 | R344-02B..... | J22, K6 | RKR10KYSS..... | F13, F17 |
| R119-02C..... | H16, K34 | R344-02BG..... | J22, K6 | RKR10YSS..... | F13, F17 |
| R119-02CG..... | H16, K34 | R344-02C..... | J22, K6 | RKR24KY..... | K107 |
| R119-02J..... | H20 | R344-02CG..... | J22, K6 | RKR24Y..... | K107 |
| R119-02J/M2..... | K56 | R45-02C..... | J26, K10 | RKR25KY..... | J25, K9 |
| R119-03C..... | H16, K34 | R45-03C..... | J26, K10 | RKR25Y..... | J25, K9 |
| R119-03CG..... | H16, K34 | R46-02CK..... | K108 | RKR364KYSS..... | F11 |
| R119-03J..... | H20 | R46-03CK..... | K108 | RKR364YSS..... | F11 |
| R119-03J/M2..... | K56 | RK118A..... | H17, K35 | RKR45KY..... | J27, K11, K109 |
| R119-04C..... | H16, K34 | RK118B..... | H19, K37 | RKR45Y..... | J27, K11, K109 |
| R119-04CG..... | H16, K34 | RK118D..... | H19, K37 | RRP-16-005-000..... | J33 |
| R119-04J..... | H20 | RK118X20A..... | H21, K57 | RRP-16-024..... | K43, K45, K47, K49 |
| R119-04J/M2..... | K56 | RK118X20B..... | H23, K59 | RRP-95-024..... | K49 |
| R119-06C..... | H18, K36, K37 | RK118X20D..... | H23, K59 | RRP-95-151..... | K45 |
| R119-06CG..... | H18, K36 | RK118X20Y..... | H21, K57 | RRP-95-152..... | K47 |
| R119-06J..... | H22 | RK118Y..... | H17, K35 | RRP-95-153..... | K49 |
| R119-06J/M2..... | K58 | RK119A..... | H17, K35 | RRP-95-192..... | K45, K47, K49 |
| R119-08C..... | H18, K36, K37 | RK119A250..... | H17, K35 | RRP-95-585..... | K43, K45, K47, K49 |
| R119-08CG..... | H18, K36 | RK119B..... | H19, K37 | RRP-95-765..... | K43 |
| R119-08J..... | H22, K58 | RK119D..... | H19, K37 | RRP-95-766..... | K45, K47, K49 |
| R119-12C..... | H18, K36, K37 | RK119G..... | H25, K61 | RRP-95-905..... | K43, K45, K47, K49 |
| R119-12CG..... | H18, K36 | RK119X20A..... | H21, K57 | RRP-95-906..... | K43, K45, K47, K49 |
| R119-12J..... | H22 | RK119X20B..... | H23, K59 | RRP-95-914..... | K45 |
| R119-12J/M2..... | K58 | RK119X20D..... | H23, K59 | RRP-96-934..... | K43, K45 |
| R119-16J..... | H24, K60 | RK119X20Y..... | H21, K57 | RRP-96-935..... | K47, K49 |
| R119-20J..... | H24, K60 | RK119Y..... | H17, K35 | RSC 4.5T-2/S1587..... | B71 |
| R216-02F..... | K38 | RK216KY..... | K39 | | |
| R216-02FP..... | K38 | RK216Y..... | K39 | | |
| R216-03F..... | K38 | RK504SY..... | J33 | S | |
| R216-03FP..... | K38 | RK504SY-SS..... | F3, F7, F15 | SA10MDSS..... | F5, F9, F17 |
| R24-01CK..... | K106 | RK548YSS..... | F15 | SA15Y57..... | H17, K35 |
| R24-02CK..... | K106 | RK549YSS..... | F15 | SA161X57..... | J23, J25, J27, J33, K7, K9, K11, K105, K107, K109 |
| | | RK602B..... | H3 | SA200AW57..... | H3, H13, H29 |
| | | RK602C..... | H5, H7 | SA200CW57..... | H3, H13, H29, M8 |
| | | RK602D..... | H3, H5, H7 | SA600Y7-1..... | H3, H5, H7, H13 |

Part Number Index

Safety Guide

Offer of Sale

Part Number Index, Safety Guide, Offer of Sale



For inventory, lead times, and kit lookup, visit www.pdnplu.com

| Model No. | Section / Page No. |
|---------------------------|---------------------------|
| SA600Y7-1SS..... | F3, F5, F7, F15, F17, F19 |
| SA602A7..... | H3, H5, H7 |
| SA602D..... | H3, H5, H7 |
| SA602MD..... | H3, H5, H7 |
| SA603D..... | H3, H5, H7 |
| SA702MD..... | H13 |
| SAC18A3/BK..... | H17, K35 |
| SAP05481..... | F3, F5, F7, F15, F17, F19 |
| SKED3000N115..... | N3 |
| SPE0100-A11516016TIU..... | M2, M4 |
| SPE010-A11516016TIU..... | M2, M4 |
| SPE0125-A11516016TIU..... | M2, M4 |
| SPE0150-A11516016TIU..... | M2, M4 |
| SPE015-A11516016TIU..... | M2, M4 |
| SPE0175-A11516016TIU..... | M2, M4 |
| SPE0175-A23016016TIU..... | M2, M4 |
| SPE0200-A23016014TIU..... | M2, M4 |
| SPE0250-A23016014TIU..... | M2, M4 |
| SPE025-A11516016TIU..... | M2, M4 |
| SPE035-A11516016TIU..... | M2, M4 |
| SPE050-A11516016TIU..... | M2, M4 |
| SPE075-A11516016TIU..... | M2, M4 |
| SPR-375-1..... | J25, K9, K107 |
| SPR-375-2-SS..... | F11, F15 |
| SPR-376..... | J25, K9, K107 |
| SPR-376-1-SS..... | F11, F15 |
| SPR-377..... | J25, K9, K107 |
| SPR-377-1-SS..... | F11, F15 |
| SPR-388-1-SS..... | F13, F17 |
| SPR-389-1-SS..... | F13, F17 |
| SPR-390-1-SS..... | F13, F17 |
| SPR-46..... | J27, K11, K109 |
| SPR-47..... | J27, K11, K109 |
| SPR-48..... | J27, K11, K109 |

T

| | |
|-------------------|---------|
| TW101BN14NNN..... | M9, M12 |
| TW131BN14NNN..... | M9, M12 |
| TW201BN14NNN..... | M9, M12 |
| TW251BN14NNN..... | M9, M12 |
| TW301BN14NNN..... | M9, M12 |
| TW401BN14NNN..... | M9, M12 |
| TW41BN14NNN..... | M9, M12 |
| TW501BN14NNN..... | M9, M12 |
| TW56BN14NNN..... | M9, M12 |
| TW601BN14NNN..... | M9, M12 |
| TW76BN14NNN..... | M9, M12 |
| TW801BN14NNN..... | M9, M12 |

| | |
|-----------------|-----|
| W21540172B..... | K74 |
| W21540175B..... | K74 |
| W21540179B..... | K74 |
| W21540183B..... | K74 |
| W21542172B..... | K74 |
| W21542175B..... | K74 |
| W21542179B..... | K74 |
| W21542183B..... | K74 |
| W21544172B..... | K74 |
| W21544175B..... | K74 |
| W21544179B..... | K74 |
| W21544183B..... | K74 |
| WDV3-G12BL..... | N2 |
| WDV3-G13BL..... | N2 |
| WDV3-G14BL..... | N2 |
| WDV3-G22BL..... | N2 |
| WDV3-G23BL..... | N2 |
| WDV3-G24BL..... | N2 |
| WDV3-G34BL..... | N2 |

Part Number
Index

Safety Guide

Offer of Sale

Part Number Index,
Safety Guide, Offer of Sale



For inventory, lead times, and kit lookup, visit www.pdnplu.com

Safety Guide For Selecting And Using Pneumatic Division Products And Related Accessories

WARNING:

FAILURE OR IMPROPER SELECTION OR IMPROPER USE OF PNEUMATIC DIVISION PRODUCTS, ASSEMBLIES OR RELATED ITEMS ("PRODUCTS") CAN CAUSE DEATH, PERSONAL INJURY, AND PROPERTY DAMAGE. POSSIBLE CONSEQUENCES OF FAILURE OR IMPROPER SELECTION OR IMPROPER USE OF THESE PRODUCTS INCLUDE BUT ARE NOT LIMITED TO:

- Unintended or mistimed cycling or motion of machine members or failure to cycle
- Work pieces or component parts being thrown off at high speeds.
- Failure of a device to function properly for example, failure to clamp or unclamp an associated item or device.
- Explosion
- Suddenly moving or falling objects.
- Release of toxic or otherwise injurious liquids or gasses.

Before selecting or using any of these Products, it is important that you read and follow the instructions below.

1. GENERAL INSTRUCTIONS

- 1.1. Scope:** This safety guide is designed to cover general guidelines on the installation, use, and maintenance of Pneumatic Division Valves, FRLs (Filters, Pressure Regulators, and Lubricators), Vacuum products and related accessory components.
- 1.2. Fail-Safe:** Valves, FRLs, Vacuum products and their related components can and do fail without warning for many reasons. Design all systems and equipment in a fail-safe mode, so that failure of associated valves, FRLs or Vacuum products will not endanger persons or property.
- 1.3 Relevant International Standards:** For a good guide to the application of a broad spectrum of pneumatic fluid power devices see: ISO 4414:1998, Pneumatic Fluid Power – General Rules Relating to Systems. See www.iso.org for ordering information.
- 1.4. Distribution:** Provide a copy of this safety guide to each person that is responsible for selection, installation, or use of Valves, FRLs or Vacuum products. Do not select, or use Parker valves, FRLs or vacuum products without thoroughly reading and understanding this safety guide as well as the specific Parker publications for the products considered or selected.
- 1.5. User Responsibility:** Due to the wide variety of operating conditions and applications for valves, FRLs, and vacuum products Parker and its distributors do not represent or warrant that any particular valve, FRL or vacuum product is suitable for any specific end use system. This safety guide does not analyze all technical parameters that must be considered in selecting a product. The user, through its own analysis and testing, is solely responsible for:
 - Making the final selection of the appropriate valve, FRL, Vacuum component, or accessory.
 - Assuring that all user's performance, endurance, maintenance, safety, and warning requirements are met and that the application presents no health or safety hazards.
 - Complying with all existing warning labels and / or providing all appropriate health and safety warnings on the equipment on which the valves, FRLs or Vacuum products are used; and,
 - Assuring compliance with all applicable government and industry standards.
- 1.6. Safety Devices:** Safety devices should not be removed, or defeated.
- 1.7. Warning Labels:** Warning labels should not be removed, painted over or otherwise obscured.
- 1.8. Additional Questions:** Call the appropriate Parker technical service department if you have any questions or require any additional information. See the Parker publication for the product being considered or used, or call 1-800-CPARKER, or go to www.parker.com, for telephone numbers of the appropriate technical service department.

2. PRODUCT SELECTION INSTRUCTIONS

- 2.1. Flow Rate:** The flow rate requirements of a system are frequently the primary consideration when designing any pneumatic system. System components need to be able to provide adequate flow and pressure for the desired application.
- 2.2. Pressure Rating:** Never exceed the rated pressure of a product. Consult product labeling, Pneumatic Division catalogs or the instruction sheets supplied for maximum pressure ratings.
- 2.3. Temperature Rating:** Never exceed the temperature rating of a product. Excessive heat can shorten the life expectancy of a product and result in complete product failure.
- 2.4. Environment:** Many environmental conditions can affect the integrity and suitability of a product for a given application. Pneumatic Division products are designed for use in general purpose industrial applications. If these products are to be used in unusual circumstances such as direct sunlight and/or corrosive or caustic environments, such use can shorten the useful life and lead to premature failure of a product.
- 2.5. Lubrication and Compressor Carryover:** Some modern synthetic oils can and will attack nitrile seals. If there is any possibility of synthetic oils or greases migrating into the pneumatic components check for compatibility with the seal materials used. Consult the factory or product literature for materials of construction.
- 2.6. Polycarbonate Bowls and Sight Glasses:** To avoid potential polycarbonate bowl failures:
 - Do not locate polycarbonate bowls or sight glasses in areas where they could be subject to direct sunlight, impact blow, or temperatures outside of the rated range.
 - Do not expose or clean polycarbonate bowls with detergents, chlorinated hydro-carbons, ketones, esters or certain alcohols.
 - Do not use polycarbonate bowls or sight glasses in air systems where compressors are lubricated with fire resistant fluids such as phosphate ester and di-ester lubricants.



2.7. Chemical Compatibility: For more information on plastic component chemical compatibility see Pneumatic Division technical bulletins Tec-3, Tec-4, and Tec-5

- 2.8. Product Rupture:** Product rupture can cause death, serious personal injury, and property damage.
- Do not connect pressure regulators or other Pneumatic Division products to bottled gas cylinders.
 - Do not exceed the maximum primary pressure rating of any pressure regulator or any system component.
 - Consult product labeling or product literature for pressure rating limitations.

3. PRODUCT ASSEMBLY AND INSTALLATION INSTRUCTIONS

- 3.1. Component Inspection:** Prior to assembly or installation a careful examination of the valves, FRLs or vacuum products must be performed. All components must be checked for correct style, size, and catalog number. DO NOT use any component that displays any signs of nonconformance.
- 3.2. Installation Instructions:** Parker published Installation Instructions must be followed for installation of Parker valves, FRLs and vacuum components. These instructions are provided with every Parker valve or FRL sold, or by calling 1-800-CPARKER, or at www.parker.com.
- 3.3. Air Supply:** The air supply or control medium supplied to Valves, FRLs and Vacuum components must be moisture-free if ambient temperature can drop below freezing

4. VALVE AND FRL MAINTENANCE AND REPLACEMENT INSTRUCTIONS

- 4.1. Maintenance:** Even with proper selection and installation, valve, FRL and vacuum products service life may be significantly reduced without a continuing maintenance program. The severity of the application, risk potential from a component failure, and experience with any known failures in the application or in similar applications should determine the frequency of inspections and the servicing or replacement of Pneumatic Division products so that products are replaced before any failure occurs. A maintenance program must be established and followed by the user and, at minimum, must include instructions 4.2 through 4.9.
- 4.2. Installation and Service Instructions:** Before attempting to service or replace any worn or damaged parts consult the appropriate Service Bulletin for the valve or FRL in question for the appropriate practices to service the unit in question. These Service and Installation Instructions are provided with every Parker valve and FRL sold, or are available by calling 1-800-CPARKER, or by accessing the Parker web site at www.parker.com.
- 4.3. Lockout / Tagout Procedures:** Be sure to follow all required lockout and tagout procedures when servicing equipment. For more information see: OSHA Standard – 29 CFR, Part 1910.147, Appendix A, The Control of Hazardous Energy – (Lockout / Tagout)
- 4.4. Visual Inspection:** Any of the following conditions requires immediate system shut down and replacement of worn or damaged components:
- Air leakage: Look and listen to see if there are any signs of visual damage to any of the components in the system. Leakage is an indication of worn or damaged components.
 - Damaged or degraded components: Look to see if there are any visible signs of wear or component degradation.
 - Kinked, crushed, or damaged hoses. Kinked hoses can result in restricted air flow and lead to unpredictable system behavior.
 - Any observed improper system or component function: Immediately shut down the system and correct malfunction.
 - Excessive dirt build-up: Dirt and clutter can mask potentially hazardous situations.

Caution: Leak detection solutions should be rinsed off after use.

- 4.5. Routine Maintenance Issues:**
- Remove excessive dirt, grime and clutter from work areas.
 - Make sure all required guards and shields are in place.
- 4.6. Functional Test:** Before initiating automatic operation, operate the system manually to make sure all required functions operate properly and safely.
- 4.7. Service or Replacement Intervals:** It is the user's responsibility to establish appropriate service intervals. Valves, FRLs and vacuum products contain components that age, harden, wear, and otherwise deteriorate over time. Environmental conditions can significantly accelerate this process. Valves, FRLs and vacuum components need to be serviced or replaced on routine intervals. Service intervals need to be established based on:
- Previous performance experiences.
 - Government and / or industrial standards.
 - When failures could result in unacceptable down time, equipment damage or personal injury risk.
- 4.8. Servicing or Replacing of any Worn or Damaged Parts:** To avoid unpredictable system behavior that can cause death, personal injury and property damage:
- Follow all government, state and local safety and servicing practices prior to service including but not limited to all OSHA Lockout Tagout procedures (OSHA Standard – 29 CFR, Part 1910.147, Appendix A, The Control of Hazardous Energy – Lockout / Tagout).
 - Disconnect electrical supply (when necessary) before installation, servicing, or conversion.
 - Disconnect air supply and depressurize all air lines connected to system and Pneumatic Division products before installation, service, or conversion.
 - Installation, servicing, and / or conversion of these products must be performed by knowledgeable personnel who understand how pneumatic products are to be applied.
 - After installation, servicing, or conversions air and electrical supplies (when necessary) should be connected and the product tested for proper function and leakage. If audible leakage is present, or if the product does not operate properly, do not put product or system into use.
 - Warnings and specifications on the product should not be covered or painted over. If masking is not possible, contact your local representative for replacement labels.

4.9. Putting Serviced System Back into Operation: Follow the guidelines above and all relevant Installation and Maintenance Instructions supplied with the valve FRL or vacuum component to insure proper function of the system.

Part Number
Index

Safety Guide

Offer of Sale

Part Number Index,
Safety Guide, Offer of Sale



For inventory, lead times, and kit lookup, visit www.pdnplu.com

**PARKER-HANNIFIN CORPORATION
OFFER OF SALE**

1. Definitions. As used herein, the following terms have the meanings indicated.

| | |
|-----------|---|
| Buyer: | means any customer receiving a Quote for Products. |
| Goods: | means any tangible part, system or component to be supplied by Seller. |
| Products: | means the Goods, Services and/or Software as described in a Quote. |
| Quote: | means the offer or proposal made by Seller to Buyer for the supply of Products. |
| Seller: | means Parker-Hannifin Corporation, including all divisions and businesses thereof. |
| Services: | means any services to be provided by Seller. |
| Software: | means any software related to the Goods, whether embedded or separately downloaded. |
| Terms: | means the terms and conditions of this Offer of Sale. |

2. Terms. All sales of Products by Seller are expressly conditioned upon, and will be governed by the acceptance of, these Terms. These Terms are incorporated into any Quote provided by Seller to Buyer. Buyer's order for any Products whether communicated to Seller verbally, in writing, by electronic data interface or other electronic commerce, shall constitute acceptance of these Terms. Seller objects to any contrary or additional terms or conditions of Buyer. Reference in Seller's order acknowledgement to Buyer's purchase order or purchase order number shall in no way constitute an acceptance of any of Buyer's terms or conditions of purchase. No modification to these Terms will be binding on Seller unless agreed to in writing and signed by an authorized representative of Seller.

3. Price; Payment. The Products set forth in the Quote are offered for sale at the prices indicated in the Quote. Unless otherwise specifically stated in the Quote, prices are valid for thirty (30) days and do not include any sales, use, or other taxes or duties. Seller reserves the right to modify prices at any time to adjust for any raw material price fluctuations. Unless otherwise specified by Seller, all prices are F.C.A. Seller's facility (INCOTERMS 2020). All sales are contingent upon credit approval and full payment for all purchases is due thirty (30) days from the date of invoice (or such date as may be specified in the Quote). Unpaid invoices beyond the specified payment date incur interest at the rate of 1.5% per month or the maximum allowable rate under applicable law.

4. Shipment; Delivery; Title and Risk of Loss. All delivery dates are approximate, and Seller is not responsible for damages resulting from any delay. Regardless of the manner of shipment, delivery occurs and title and risk of loss or damage pass to Buyer, upon placement of the Products with the carrier at Seller's facility. Unless otherwise agreed prior to shipment and for domestic delivery locations only, Seller will select and arrange, at Buyer's sole expense, the carrier and means of delivery. When Seller selects and

arranges the carrier and means of delivery, freight and insurance costs for shipment to the designated delivery location will be prepaid by Seller and added as a separate line item to the invoice. Buyer shall be responsible for any additional shipping charges incurred by Seller due to Buyer's acts or omissions. Buyer shall not return or repackage any Products without the prior written authorization from Seller, and any return shall be at the sole cost and expense of Buyer.

5. Warranty. The warranty for the Products is as follows: (i) Goods are warranted against defects in material or workmanship for a period of twelve (12) months from the date of delivery or 2,000 hours of use, whichever occurs first; (ii) Services shall be performed in accordance with generally accepted practices and using the degree of care and skill that is ordinarily exercised and customary in the field to which the Services pertain and are warranted for a period of six (6) months from the date of completion of the Services; and (iii) Software is only warranted to perform in accordance with applicable specifications provided by Seller to Buyer for ninety (90) days from the date of delivery or, when downloaded by a Buyer or end-user, from the date of the initial download. All prices are based upon the exclusive limited warranty stated above, and upon the following disclaimer: **EXEMPTION CLAUSE; DISCLAIMER OF WARRANTY, CONDITIONS, REPRESENTATIONS; THIS WARRANTY IS THE SOLE AND ENTIRE WARRANTY, CONDITION, AND REPRESENTATION, PERTAINING TO PRODUCTS. SELLER DISCLAIMS ALL OTHER WARRANTIES, CONDITIONS, AND REPRESENTATIONS, WHETHER STATUTORY, EXPRESS OR IMPLIED, INCLUDING BUT NOT LIMITED TO THOSE RELATING TO DESIGN, NONINFRINGEMENT, MERCHANTABILITY, AND FITNESS FOR A PARTICULAR PURPOSE. SELLER DOES NOT WARRANT THAT THE SOFTWARE IS ERROR-FREE OR FAULT-TOLERANT, OR THAT BUYER'S USE THEREOF WILL BE SECURE OR UNINTERRUPTED. UNLESS OTHERWISE AUTHORIZED IN WRITING BY SELLER, THE SOFTWARE SHALL NOT BE USED IN CONNECTION WITH HAZARDOUS OR HIGH RISK ACTIVITIES OR ENVIRONMENTS. EXCEPT AS EXPRESSLY STATED HEREIN, ALL PRODUCTS ARE PROVIDED "AS IS".**

6. Claims; Commencement of Actions. Buyer shall promptly inspect all Products upon receipt. No claims for shortages will be allowed unless reported to Seller within ten (10) days of delivery. Buyer shall notify Seller of any alleged breach of warranty within thirty (30) days after the date the non-conformance is or should have been discovered by Buyer. Any claim or action against Seller based upon breach of contract or any other theory, including tort, negligence, or otherwise must be commenced within twelve (12) months from the date of the alleged breach or other alleged event, without regard to the date of discovery.

7. LIMITATION OF LIABILITY. IN THE EVENT OF A BREACH OF WARRANTY, SELLER WILL, AT ITS OPTION, REPAIR OR REPLACE THE NON-CONFORMING PRODUCT, RE-PERFORM THE SERVICES, OR REFUND THE PURCHASE PRICE PAID WITHIN A REASONABLE PERIOD OF TIME. **IN NO EVENT IS SELLER LIABLE FOR**

08/20



For inventory, lead times, and kit lookup, visit www.pdnplu.com

ANY SPECIAL, INDIRECT, INCIDENTAL OR CONSEQUENTIAL DAMAGES INCLUDING ANY LOSS OF REVENUE OR PROFITS, WHETHER BASED IN CONTRACT, TORT OR OTHER LEGAL THEORY. IN NO EVENT SHALL SELLER'S LIABILITY UNDER ANY CLAIM MADE BY BUYER EXCEED THE PURCHASE PRICE PAID FOR THE PRODUCTS.

8. Confidential Information. Buyer acknowledges and agrees that any technical, commercial, or other confidential information of Seller, including, without limitation, pricing, technical drawings or prints and/or part lists, which has been or will be disclosed, delivered or made available, whether directly or indirectly, to Buyer ("Confidential Information"), has been and will be received in confidence and will remain the property of Seller. Buyer further agrees that it will not use Seller's Confidential Information for any purpose other than for the benefit of Seller.

9. Loss to Buyer's Property. Any tools, patterns, materials, equipment or information furnished by Buyer or which are or become Buyer's property ("Buyer's Property"), will be considered obsolete and may be destroyed by Seller after two (2) consecutive years have elapsed without Buyer ordering the Products manufactured using Buyer's Property. Furthermore, Seller shall not be responsible for any loss or damage to Buyer's Property while it is in Seller's possession or control.

10. Special Tooling. "Special Tooling" includes but is not limited to tools, jigs, fixtures and associated manufacturing equipment acquired or necessary to manufacture Goods. Seller may impose a tooling charge for any Special Tooling. Such Special Tooling shall be and remain Seller's property notwithstanding payment of any charges by Buyer. In no event will Buyer acquire any interest in the Special Tooling, even if such Special Tooling has been specially converted or adapted for manufacture of Goods for Buyer and notwithstanding any charges paid by Buyer. Unless otherwise agreed, Seller has the right to alter, discard or otherwise dispose of any Special Tooling or other property owned by Seller in its sole discretion at any time.

11. Security Interest. To secure payment of all sums due from Buyer, Seller retains a security interest in all Products delivered to Buyer and, Buyer's acceptance of these Terms is deemed to be a Security Agreement under the Uniform Commercial Code. Buyer authorizes Seller as its attorney to execute and file on Buyer's behalf all documents Seller deems necessary to perfect Seller's security interest.

12. User Responsibility. Buyer, through its own analysis and testing, is solely responsible for making the final selection of the Products and assuring that all performance, endurance, maintenance, safety and warning requirements of the application of the Products are met. Buyer must analyze all aspects of the application and follow applicable industry standards, specifications, and any technical information provided with the Quote or the Products, such as Seller's instructions, guides and specifications. If Seller provides options of or for Products based upon data or specifications provided by Buyer, Buyer is responsible for determining that such data and specifications are suitable and sufficient for all applications and reasonably foreseeable uses of the Products. In the event Buyer is not the end-user

of the Products, Buyer will ensure such end-user complies with this paragraph.

13. Use of Products, Indemnity by Buyer. Buyer shall comply with all instructions, guides and specifications provided by Seller with the Quote or the Products. **Unauthorized Uses.** If Buyer uses or resells the Products in any way prohibited by Seller's instructions, guides or specifications, or Buyer otherwise fails to comply with Seller's instructions, guides and specifications, Buyer acknowledges that any such use, resale, or non-compliance is at Buyer's sole risk. Further, Buyer shall indemnify, defend, and hold Seller harmless from any losses, claims, liabilities, damages, lawsuits, judgments and costs (including attorney fees and defense costs), whether for personal injury, property damage, intellectual property infringement or any other claim, arising out of or in connection with: (a) improper selection, design, specification, application, or any misuse of Products; (b) any act or omission, negligent or otherwise, of Buyer; (c) Seller's use of patterns, tools, equipment, plans, drawings, designs, specifications or other information or things furnished by Buyer; (d) damage to the Products from an external cause, repair or attempted repair by anyone other than Seller, failure to follow instructions, guides and specifications provided by Seller, use with goods not provided by Seller, or opening, modifying, deconstructing, tampering with or repackaging the Products; or (e) Buyer's failure to comply with these Terms. Seller shall not indemnify Buyer under any circumstance except as otherwise provided in these Terms.

14. Cancellations and Changes. Buyer may not cancel or modify, including but not limited to movement of delivery dates for the Products, any order for any reason except with Seller's written consent and upon terms that will indemnify, defend and hold Seller harmless against all direct, incidental and consequential loss or damage and any additional expense. Seller, at any time, may change features, specifications, designs and availability of Products.

15. Limitation on Assignment. Buyer may not assign its rights or obligations without the prior written consent of Seller.

16. Force Majeure. Seller is not liable for delay or failure to perform any of its obligations by reason of events or circumstances beyond its reasonable control. Such circumstances include without limitation: accidents, labor disputes or stoppages, government acts or orders, acts of nature, pandemics, epidemics, other widespread illness, or public health emergency, delays or failures in delivery from carriers or suppliers, shortages of materials, war (whether declared or not) or the serious threat of same, riots, rebellions, acts of terrorism, fire or any reason whether similar to the foregoing or otherwise. Seller will resume performance as soon as practicable after the event of force majeure has been removed. All delivery dates affected by force majeure shall be tolled for the duration of such force majeure and rescheduled for mutually agreed dates as soon as practicable after the force majeure condition ceases to exist. Force majeure shall not include financial distress, insolvency, bankruptcy, or other similar conditions affecting one of the parties, affiliates and/or sub-contractors.

08/20



For inventory, lead times, and kit lookup, visit www.pdnplu.com

O17

Parker Hannifin Corporation
Pneumatic Division
Richland, Michigan
www.parker.com/pneumatics

17. Waiver and Severability. Failure to enforce any provision of these Terms will not invalidate that provision; nor will any such failure prejudice either party's right to enforce that provision in the future. Invalidation of any provision of these Terms shall not invalidate any other provision herein and, the remaining provisions will remain in full force and effect.

18. Termination. Seller may terminate any agreement governed by or arising from these Terms for any reason and at any time by giving Buyer thirty (30) days prior written notice. Seller may immediately terminate, in writing, if Buyer: (a) breaches any provision of these Terms, (b) becomes or is deemed insolvent, (c) appoints or has appointed a trustee, receiver or custodian for all or any part of Buyer's property, (d) files a petition for relief in bankruptcy on its own behalf, or one is filed against Buyer by a third party, (e) makes an assignment for the benefit of creditors; or (f) dissolves its business or liquidates all or a majority of its assets.

19. Ownership of Software. Seller retains ownership of all Software supplied to Buyer hereunder. In no event shall Buyer obtain any greater right in and to the Software than a right in the nature of a license limited to the use thereof and subject to compliance with any other terms provided with the Software.

20. Indemnity for Infringement of Intellectual Property Rights. Seller is not liable for infringement of any patents, trademarks, copyrights, trade dress, trade secrets or similar rights ("Intellectual Property Rights") except as provided in this Section. Seller will defend at its expense and will pay the cost of any settlement or damages awarded in an action brought against Buyer based on a third party claim that one or more of the Products sold hereunder infringes the Intellectual Property Rights of a third party in the country of delivery of the Products by Seller to Buyer. Seller's obligation to defend and indemnify Buyer is contingent on Buyer notifying Seller within ten (10) days after Buyer becomes aware of any such claim, and Seller having sole control over the defense of the claim including all negotiations for settlement or compromise. If one or more Products sold hereunder is subject to such a claim, Seller may, at its sole expense and option, procure for Buyer the right to continue using the Products, replace or modify the Products so as to render them non-infringing, or offer to accept return of the Products and refund the purchase price less a reasonable allowance for depreciation. Seller has no obligation or liability for any claim of infringement: (i) arising from information provided by Buyer; or (ii) directed to any Products provided hereunder for which the designs are specified in whole or part by Buyer; or (iii) resulting from the modification, combination or use in a system of any Products provided hereunder. The foregoing provisions of this Section constitute Seller's sole and exclusive liability and Buyer's sole and exclusive remedy for claims of infringement of Intellectual Property Rights.

21. Governing Law. These Terms and the sale and delivery of all Products are deemed to have taken place in, and shall be governed and construed in accordance with, the laws of the State of Ohio, as applicable to contracts executed and wholly performed therein and without regard to conflicts of laws principles. Buyer irrevocably agrees and consents to the exclusive jurisdiction and venue of the courts of

Cuyahoga County, Ohio with respect to any dispute, controversy or claim arising out of or relating to the sale and delivery of the Products.

22. Entire Agreement. These Terms, along with the terms set forth in the main body of any Quote, forms the entire agreement between the Buyer and Seller and constitutes the final, complete and exclusive expression of the terms of sale and purchase. In the event of a conflict between any term set forth in the main body of a Quote and these Terms, the terms set forth in the main body of the Quote shall prevail. All prior or contemporaneous written or oral agreements or negotiations with respect to the subject matter shall have no effect. These Terms may not be modified unless in writing and signed by an authorized representative of Seller.

23. Compliance with Laws. Buyer agrees to comply with all applicable laws, regulations, and industry and professional standards, including those of the United States of America, and the country or countries in which Buyer may operate, including without limitation the U.S. Foreign Corrupt Practices Act ("FCPA"), the U.S. Anti-Kickback Act ("Anti-Kickback Act"), U.S. and E.U. export control and sanctions laws ("Export Laws"), the U.S. Food Drug and Cosmetic Act ("FDCA"), and the rules and regulations promulgated by the U.S. Food and Drug Administration ("FDA"), each as currently amended. Buyer agrees to indemnify, defend, and hold harmless Seller from the consequences of any violation of such laws, regulations and standards by Buyer, its employees or agents. Buyer acknowledges that it is familiar with all applicable provisions of the FCPA, the Anti-Kickback Act, Export Laws, the FDCA and the FDA and certifies that Buyer will adhere to the requirements thereof and not take any action that would make Seller violate such requirements. Buyer represents and agrees that Buyer will not make any payment or give anything of value, directly or indirectly, to any governmental official, foreign political party or official thereof, candidate for foreign political office, or commercial entity or person, for any improper purpose, including the purpose of influencing such person to purchase Products or otherwise benefit the business of Seller. Buyer further represents and agrees that it will not receive, use, service, transfer or ship any Products from Seller in a manner or for a purpose that violates Export Laws or would cause Seller to be in violation of Export Laws. Buyer agrees to promptly and reliably provide Seller all requested information or documents, including end-user statements and other written assurances, concerning Buyer's ongoing compliance with Export Laws.

08/20



For inventory, lead times, and kit lookup, visit www.pdnplu.com

O18

Parker Hannifin Corporation
Pneumatic Division
Richland, Michigan
www.parker.com/pneumatics

Parker Hannifin Corporation

Pneumatic Division

8676 E. M89

Richland, MI 49083 USA

Tel: 269 629 5000

Applications Engineering: pdnapps@parker.com

Customer Support: pdncustsvc@parker.com

Web site: www.parker.com/pneumatics

