

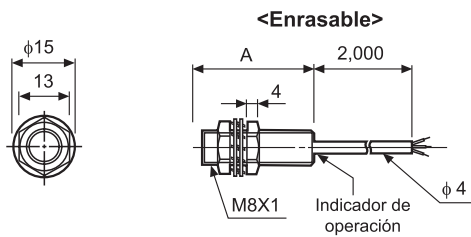
Selección de Productos

SENSOR DE PROXIMIDAD

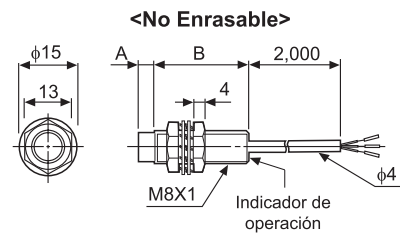
Dimensiones

Unidad:mm

●M08

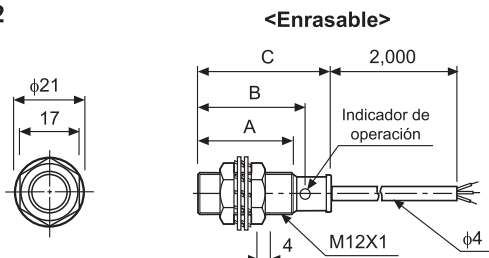


Modelo	A
PRT08-1.5D□	30
PR08-1.5D□	30
PRL08-1.5D□	40

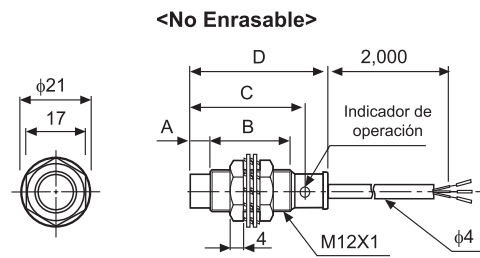


Modelo	A	B
PRT08-2D□	4	26
PR08-2D□	4	26
PRL08-2D□	4	26

●M12

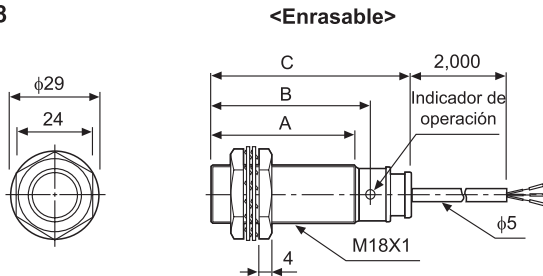


Modelo	A	B	C
PRS12-2D□	24.5	28.5	35.5
PRT12-2D□	31.5	35.5	42.5
PR12-2D□	31.5	35.5	42.5
PR12-2A□	48.5	52.5	59.5

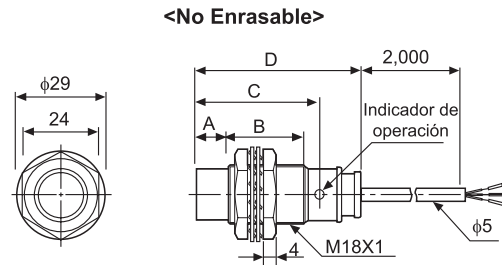


Modelo	A	B	C	D
PRS12-4D□	7	17.5	28.5	35.5
PRT12-4D□	7	24.5	35.5	42.5
PRL12-4D□	7	37.0	48.0	55.0
PR12-4D□	7	24.5	35.5	42.5
PR12-4A□	7	41.5	52.5	59.5

●M18

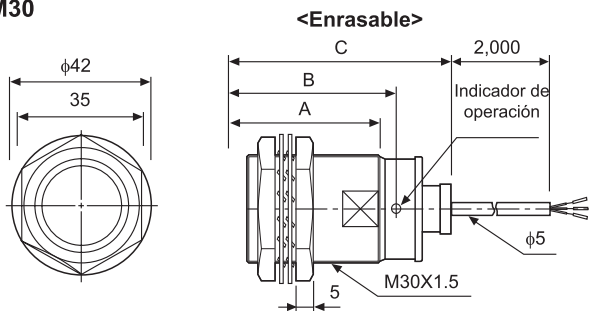


Modelo	A	B	C
PRT18-5D□	29.0	33.5	47.0
PR18-5D□	29.0	33.5	47.0
PR18-5A□	35.3	39.8	53.3
PRL18-5D□	62.0	66.5	80.0
PRL18-5A□	62.0	66.5	80.0

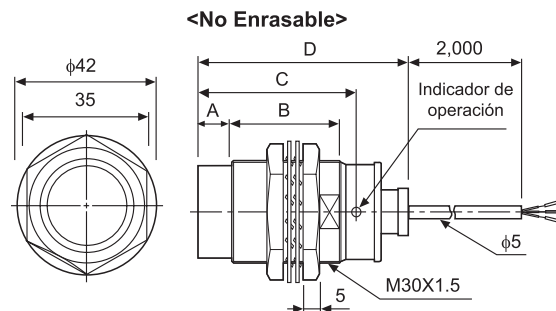


Modelo	A	B	C	D
PRT18-8D□	10	19.0	33.5	47.0
PR18-8D□	10	19.0	33.5	47.0
PR18-8A□	10	25.3	39.8	53.3
PRL18-8D□	10	52.0	66.5	80.0
PRL18-8A□	10	52.0	66.5	80.0

●M30



Modelo	A	B	C
PRT30-10D□	38.0	43.0	58.0
PR30-10D□	38.0	43.0	58.0
PR30-10A□	38.0	43.0	58.0
PRL30-10D□	60.0	65.0	80.0
PRL30-10A□	60.0	65.0	80.0



Modelo	A	B	C	D
PRT30-15D□	10	28.0	43.0	58.0
PR30-15D□	10	28.0	43.0	58.0
PR30-15A□	10	28.0	43.0	58.0
PRL30-15D□	10	50.0	65.0	80.0
PRL30-15A□	10	50.0	65.0	80.0