

Series 810: 2 Way Angle Body Valves: 1/4" to 3" NPT



On Off Control

FEATURES

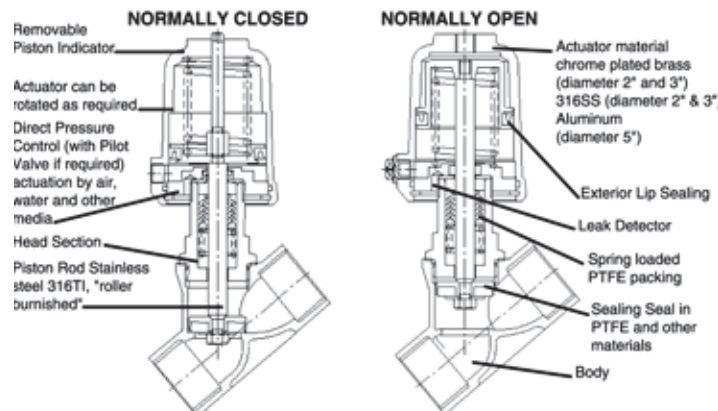
- Compact design, high flow rates
- Visual position indicator standard
- For temperatures from – 22°F to +430°F / -30°C to 221°C
- Working pressures up to 580 psi
- Damped closing anti-water hammer design (fluid under seat)
- Metal actuator housing for exceptional durability in steam & mildly aggressive applications
- Valves satisfy the Pressure Equipment Directive 97/23/EC
- Mountable in any position
- Tight shut-off and Long Service Life
- Actuator and valve components fully repairable

Technical Specifications

Body Material	Bronze Rg5	AISI 316L	Brass
Function	2/2 NC, NO	2/2 NC, NO	2/2 NC, NO
Nominal sizes	1/2" - 2"	1/4" - 2 1/2"	2 1/2" and 3"
Connections:			
NPT thread standard	1/2" - 2"	1/4" - 2 1/2"	2 1/2" - 3"
BSP thread (ISO228/1)			
Tri Clamp			
Tube Ends			
Flanges ANSI 150			
Nominal Pressure	235 psi (16 bar)	580 psi (40 bar)	235 psi (16 bar)
Differential Pressure	See Specifications tables		
Pilot Pressure	up to 145 psi (10bar) reference graphs		
Actuator:	2" & 3" brass plated	2" & 3" brass plated ^ Stainless Actuator	5" aluminum anodized
Max. Fluid Temperature	-22°F (-30°C) up to 392°F (200°C) # to -40°F (-40°C) *Optional *Optional	-22°F (-30°C) up to 392°F (200°C) # to -40°F (-40°C) * Up to +430°F (221°C)	-22°F (-30°C) up to 392°F (200°C) # to -40°F (-40°C)
Ambient Temperature	-22°F (-30°C) up to +140°F (60°C)		
Seal Material	PTFE		
Packing Gland	PTFE / Graphite		
Viscosity of the Fluid	maximum 600 mm ² /s (600cSt, 80°E, 2700 SSU)		
Vacuum	maximum 0.0295 mercury (Hg)		
Working pressure for inverted packing for vacuum service	maximum 175 psi		
Leakage	ANSI Class VI shutoff		
Installation	Any position		
Optical Position Indicator	Standard all sizes		
Pilot Control Media	Air, neutral gas, water		
Fluids	Inert gases, hot water, oils, steam	Aggressive & corrosive fluids	Inert gases, hot water, oils, steam

Options

- Electrical position indicators
- Inductive proximity switches
- Mechanical limit switches
- Manual override
- Oil and Grease free version
- Ultra High Temp. (PEEK)
- Stroke limiter





Series 810: 2 Way Angle Body Valves: 1/4" to 3" NPT

Series 810 Operating Data: Normally Closed, Flow Direction Under Seat Recommended for liquids and anti water-hammer application needs

On Off Control

BRONZE / BRASS * BODY VALVES

Port Size	Orifice Size		Flow Coeff		Min	Operating Pressure			Pilot Pressure		Actuator		Valve Number Bronze (1) (2)	Wt. lbs			
	DN		Cv	Kv		psi	bar	psi	bar	psi	bar	mm			port		
	inch	(mm)	(m ³ /h)			air, gases	water, liquids	steam			dia	bsp					
1/2	0.59	15	4.1	3.6	0	232	16.0	232	16.0	-	-	51-145	3.5-10	50	1/8	810VBN08T320BH000	2.4
3/4	0.78	20	9.2	8.0	0	190	13.0	190	13.0	-	-	65-145	4.5-10	50	1/8	810VBN12T320BH000	2.6
3/4	0.78	20	9.2	8.0	0	232	16.0	232	16.0	-	-	85-145	5.7-10	50	1/8	810VBN12T323BH000	2.8
1	1.00	25	17.4	15.0	0	85	5.8	85	5.8	-	-	65-145	4.5-10	50	1/8	810VBN16T320BH000	3.1
1	1.00	25	17.4	15.0	0	130	9.0	130	9.0	-	-	85-145	5.7-10	50	1/8	810VBN16T323BH000	3.3
1	1.00	25	18.6	16.0	0	232	16.0	232	16.0	-	-	51-145	3.5-10	80	1/4	810VBN16T330BH000	6.6
1-1/4	1.25	32	24.3	21.0	0	75	5.2	75	5.2	-	-	85-145	5.7-10	50	1/8	810VBN20T320BH000	4.0
1-1/4	1.25	32	27.8	24.0	0	175	12.1	175	12.1	-	-	51-145	3.5-10	80	1/4	810VBN20T330BH000	7.3
1-1/4	1.25	32	27.8	24.0	0	232	16.0	232	16.0	-	-	65-145	4.5-10	80	1/4	810VBN20T332BH000	7.5
1-1/2	1.56	40	40.6	35.0	0	100	7.0	100	7.0	-	-	51-145	3.5-10	80	1/4	810VBN24T330BH000	8.0
1-1/2	1.56	40	40.6	35.0	0	145	10.0	145	10.0	-	-	65-145	4.5-10	80	1/4	810VBN24T332BH000	8.2
1-1/2	1.56	40	40.6	35.0	0	190	13.0	190	13.0	-	-	80-145	5.5-10	80	1/4	810VBN24T333BH000	8.5
1-1/2	1.56	40	40.6	35.0	0	220	15.2	220	15.2	-	-	30-145	2.1-10	125	1/4	810VBN24T350BH000	12.8
2	2.00	50	63.8	55.1	0	60	4.0	60	4.0	-	-	51-145	3.5-10	80	1/4	810VBN32T330BH000	9.2
2	2.00	50	63.8	55.1	0	110	7.6	110	7.6	-	-	80-145	5.5-10	80	1/4	810VBN32T333BH000	9.6
2	2.00	50	63.8	55.1	0	125	8.6	125	8.6	-	-	30-145	2.1-10	125	1/4	810VBN32T350BH000	14.1
2	2.00	50	63.8	55.1	0	190	13.0	190	13.0	-	-	45-145	3.1-10	125	1/4	810VBN32T353BH000	14.4
2-1/2	2.56	65	107.9	93.3	0	75	5.0	75	5.0	-	-	45-145	3.1-10	125	1/4	810VBN40T350BH000	18.5
3	3.15	80	133.4	115.0	0	50	3.5	50	3.5	-	-	45-145	3.1-10	125	1/4	810VBN48T350BH000	23.1

316L STAINLESS STEEL VALVES

Port Size	Orifice Size		Flow Coeff		Min	Operating Pressure			Pilot Pressure		Actuator		Valve Number Stainless (1) (2) (3) (4)	Wt. lbs			
	DN		Cv	Kv		psi	bar	psi	bar	psi	bar	mm			port		
	inch	(mm)	(m ³ /h)			air, gases	water, liquids	steam			dia	bsp					
1/4	0.31	8	1.1	0.9	0	580	40.0	580	40.0	-	-	51-145	3.5-10	50	1/8	810VSN04T320BH000	2.2
3/8	0.39	10	1.9	1.6	0	580	40.0	580	40.0	-	-	51-145	3.5-10	50	1/8	810VSN06T320BH000	2.3
1/2	0.59	15	4.1	3.6	0	320	22.0	320	22.0	-	-	51-145	3.5-10	50	1/8	810VSN08T320BH000	2.4
3/4	0.78	20	9.2	8.0	0	190	13.0	190	13.0	-	-	65-145	4.5-10	50	1/8	810VSN12T320BH000	2.6
3/4	0.78	20	9.2	8.0	0	275	19.0	275	19.0	-	-	85-145	5.7-10	50	1/8	810VSN12T323BH000	2.8
1	1.00	25	17.4	15.0	0	85	5.8	85	5.8	-	-	65-145	4.5-10	50	1/8	810VSN16T320BH000	3.1
1	1.00	25	17.4	15.0	0	130	9.0	130	9.0	-	-	85-145	5.7-10	50	1/8	810VSN16T323BH000	3.3
1	1.00	25	18.6	16.0	0	320	22.0	320	22.0	-	-	51-145	3.5-10	80	1/4	810VSN16T330BH000	6.6
1-1/4	1.25	32	24.3	21.0	0	75	5.2	75	5.2	-	-	85-145	5.7-10	50	1/8	810VSN20T320BH000	4.0
1-1/4	1.25	32	27.8	24.0	0	175	12.1	175	12.1	-	-	51-145	3.5-10	80	1/4	810VSN20T330BH000	7.3
1-1/4	1.25	32	27.8	24.0	0	245	16.9	245	16.9	-	-	65-145	4.5-10	80	1/4	810VSN20T332BH000	7.5
1-1/4	1.25	32	27.8	24.0	0	320	22.0	320	22.0	-	-	85-145	5.7-10	80	1/4	810VSN20T333BH000	7.7
1-1/2	1.56	40	40.6	35.0	0	100	7.0	100	7.0	-	-	51-145	3.5-10	80	1/4	810VSN24T330BH000	7.9
1-1/2	1.56	40	40.6	35.0	0	145	10.0	145	10.0	-	-	65-145	4.5-10	80	1/4	810VSN24T332BH000	8.1
1-1/2	1.56	40	40.6	35.0	0	190	13.0	190	13.0	-	-	80-145	5.5-10	80	1/4	810VSN24T333BH000	8.3
1-1/2	1.56	40	40.6	35.0	0	220	15.2	220	15.2	-	-	30-145	2.1-10	125	1/4	810VSN24T350BH000	12.8
2	2.00	50	63.8	55.1	0	60	4.0	60	4.0	-	-	51-145	3.5-10	80	1/4	810VSN32T330BH000	9.2
2	2.00	50	63.8	55.1	0	110	7.6	110	7.6	-	-	80-145	5.5-10	80	1/4	810VSN32T333BH000	9.6
2	2.00	50	63.8	55.1	0	125	8.6	125	8.6	-	-	30-145	2.1-10	125	1/4	810VSN32T350BH000	14.1
2	2.00	50	63.8	55.1	0	190	13.0	190	13.0	-	-	45-145	3.1-10	125	1/4	810VSN32T353BH000	14.4
2-1/2	2.56	65	107.9	93.3	0	100	7.0	100	7.0	-	-	45-145	3.1-10	125	1/4	810VSN40T350BH000	18.5

Pressure ratings reflect standard product offering. Higher pressure ratings are available. Consult Parker.

- (1) Chrome Plated Brass Actuator Standard, Anodized Aluminum for 125mm housing
- (2) For BSP porting, change "N" to "G" in the 6th position
- (3) Optional Stainless Actuator, change "B" to "S" in the 13th position



Series 810: 2 Way Angle Body Valves: 1/4" to 3" NPT

On Off Control

Series 810 Operating Data: Normally Closed, Flow Direction Over Seat Recommended for steam and most gases

BRONZE / BRASS * BODY VALVES

Port Size	Orifice Size		Flow Coeff		Min	Operating Pressure						Pilot Pressure		Actuator		Valve Number Bronze (1) (2)	Wt. lbs
	inch	mm	Cv	Kv		psi air, gases	bar water, liquids	psi steam	bar steam	psi	bar	mm	port				
														(m ³ /h)	(m ³ /h)		
1/2	0.59	15	4.1	3.6	0	232	16.0	-	-	210	14.5	40-145	2.8-10	50	1/8	810VBN08T120BH000	2.4
3/4	0.78	20	9.2	8.0	0	232	16.0	-	-	210	14.5	40-145	2.8-10	50	1/8	810VBN12T120BH000	2.6
1	1.00	25	17.4	15.0	0	232	16.0	-	-	210	14.5	40-145	2.8-10	50	1/8	810VBN16T120BH000	3.1
1-1/4	1.25	32	24.3	21.0	0	75	5.2	-	-	75	5.2	40-145	2.8-10	50	1/8	810VBN20T120BH000	4.0
1-1/4	1.25	32	27.8	24.0	0	232	16.0	-	-	210	14.5	16-145	1.1-10	80	1/4	810VBN20T130BH000	7.3
1-1/2	1.56	40	40.6	35.0	0	232	16.0	-	-	210	14.5	16-145	1.1-10	80	1/4	810VBN24T130BH000	7.9
2	2.00	50	63.8	55.1	0	203	14.0	-	-	203	14.0	16-145	1.1-10	80	1/4	810VBN32T130BH000	9.2
2-1/2	2.56	65	107.9	93.3	0	175	12.1	-	-	175	12.1	8-145	0.6-10	125	1/4	810VBN40T150BH000	* 18.5
3	3.15	80	133.4	115.0	0	131	9.0	-	-	131	9.0	8-145	0.6-10	125	1/4	810VBN48T150BH000	* 23.1

316L STAINLESS STEEL VALVES

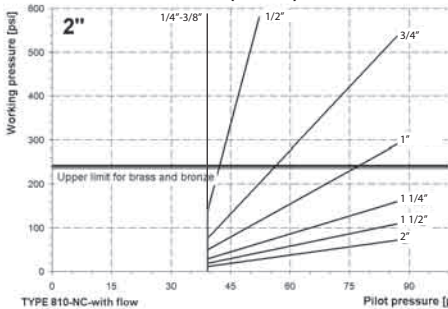
Port Size	Orifice Size		Flow Coeff		Min	Operating Pressure						Pilot Pressure		Actuator		Valve Number Stainless (1) (2) (3) (4)	Wt. lbs
	inch	mm	Cv	Kv		psi air, gases	bar water, liquids	psi steam	bar steam	psi	bar	mm	port				
														(m ³ /h)	(m ³ /h)		
1/4	0.31	8	1.1	0.9	0	580	40.0	-	-	210	14.5	40-145	2.8-10	50	1/8	810VSN04T120BH000	2.2
3/8	0.39	10	1.9	1.6	0	580	40.0	-	-	210	14.5	40-145	2.8-10	50	1/8	810VSN06T120BH000	2.3
1/2	0.59	15	4.1	3.6	0	580	40.0	-	-	210	14.5	40-145	2.8-10	50	1/8	810VSN08T120BH000	2.4
3/4	0.78	20	9.2	8.0	0	535	36.8	-	-	210	14.5	40-145	2.8-10	50	1/8	810VSN12T120BH000	2.6
1	1.00	25	17.4	15.0	0	290	20.0	-	-	210	14.5	40-145	2.8-10	50	1/8	810VSN16T120BH000	3.1
1	1.00	25	18.6	16.0	0	480	33.1	-	-	210	14.5	16-145	1.1-10	80	1/4	810VSN16T130BH000	6.6
1-1/4	1.25	32	24.3	21.0	0	160	11.0	-	-	160	11.0	40-145	2.8-10	50	1/8	810VSN20T120BH000	4.0
1-1/4	1.25	32	27.8	24.0	0	510	35.1	-	-	210	14.5	16-145	1.1-10	80	1/4	810VSN20T130BH000	7.3
1-1/2	1.56	40	40.6	35.0	0	335	23.1	-	-	210	14.5	16-145	1.1-10	80	1/4	810VSN24T130BH000	7.9
2	2.00	50	63.8	55.1	0	203	14.0	-	-	203	14.0	16-145	1.1-10	80	1/4	810VSN32T130BH000	9.2
2-1/2	2.56	65	107.9	93.3	0	175	12.1	-	-	175	12.1	8-145	0.6-10	125	1/4	810VSN40T150BH000	18.5

Pressure ratings reflect standard product offering. Higher pressure ratings are available. Consult Parker.

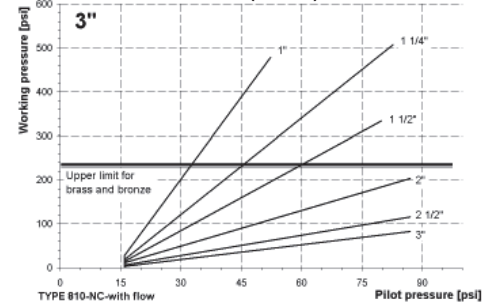
- (1) Chrome Plated Brass Actuator Standard, Anodized Aluminum for 125mm housing
- (2) For BSP porting, change "N" to "G" in the 6th position
- (3) Optional Stainless Actuator, change "B" to "S" in the 13th position
- (4) For ultra-high temperature 430°F, 1/2" to 1-1/4" sizes only, see Ultra High Temperature tables

Control Pressure & Operating Pressure Charts

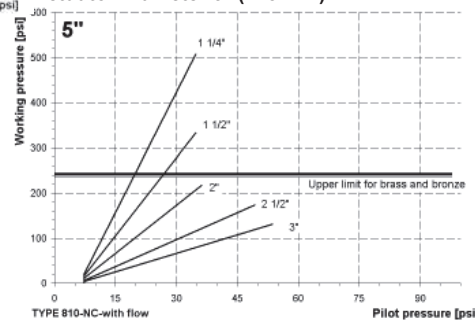
Actuator Diameter 2" (50mm)



Actuator Diameter 3" (80mm)



Actuator Diameter 5" (125 mm)





Series 810: 2 Way Angle Body Valves: 1/4" to 3" NPT

Series 810 Operating Data: Normally Open, Flow Direction Under Seat

On Off Control

BRONZE / BRASS * BODY VALVES

Port Size	Orifice Size		Flow Coeff		Operating Pressure						Pilot Pressure		Actuator		Valve Number Bronze (1) (2)	Wt. lbs	
	DN		Cv	Kv	Min	psi	bar	psi	bar	psi	bar	psi	bar	mm			port
	inch (mm)		(m ³ /h)			air, gases	water, liquids	steam					dia	bsp			
1/2	0.59	15	4.1	3.6	0	232	16.0	232	16.0	210	14.5	35-145	2.4-10	50	1/8	810VBN08T220BH000	2.4
3/4	0.78	20	9.2	8.0	0	232	16.0	232	16.0	210	14.5	45-145	3.1-10	50	1/8	810VBN12T220BH000	2.6
1	1.00	25	17.4	15.0	0	160	11.0	160	11.0	160	11.0	50-145	3.5-10	50	1/8	810VBN16T220BH000	3.1
1	1.00	25	18.6	16.0	0	232	16.0	232	16.0	210	14.5	20-145	1.4-10	80	1/4	810VBN16T230BH000	6.6
1-1/4	1.25	32	24.3	21.0	0	100	7.0	100	7.0	100	7.0	50-145	3.5-10	50	1/8	810VBN20T220BH000	4.0
1-1/4	1.25	32	27.8	24.0	0	232	16.0	232	16.0	210	14.5	20-145	1.4-10	80	1/4	810VBN20T230BH000	7.3
1-1/2	1.56	40	40.6	35.0	0	232	16.0	232	16.0	210	14.5	20-145	1.4-10	80	1/4	810VBN24T230BH000	7.9
2	2.00	50	63.8	55.1	0	190	13.0	190	13.0	190	13.0	20-145	1.4-10	80	1/4	810VBN32T230BH000	9.2
2-1/2	2.56	65	107.9	93.3	0	175	12.1	175	12.1	175	12.1	10-145	0.7-10	125	1/4	810VBN40T250BH000 *	18.5
3	3.15	80	133.4	115.0	0	131	9.0	131	9.0	131	9.0	10-145	0.7-10	125	1/4	810VBN48T250BH000 *	23.1

316L STAINLESS STEEL VALVES

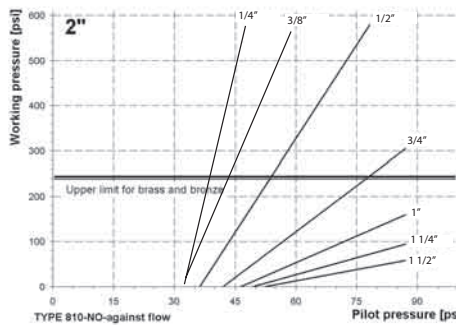
Port Size	Orifice Size		Flow Coeff		Operating Pressure						Pilot Pressure		Actuator		Valve Number Stainless (1) (2) (3) (4)	Wt. lbs	
	DN		Cv	Kv	Min	psi	bar	psi	bar	psi	bar	psi	bar	mm			port
	inch (mm)		(m ³ /h)			air, gases	water, liquids	steam					dia	bsp			
1/4	0.31	8	1.1	0.9	0	580	40.0	580	40.0	210	14.5	35-145	2.4-10	50	1/8	810VSN04T220BH000	2.2
3/8	0.39	10	1.9	1.6	0	580	40.0	580	40.0	210	14.5	35-145	2.4-10	50	1/8	810VSN06T220BH000	2.3
1/2	0.59	15	4.1	3.6	0	580	40.0	580	40.0	210	14.5	35-145	2.4-10	50	1/8	810VSN08T220BH000	2.4
3/4	0.78	20	9.2	8.0	0	305	21.0	305	21.0	210	14.5	45-145	3.1-10	50	1/8	810VSN12T220BH000	2.6
1	1.00	25	17.4	15.0	0	160	11.0	160	11.0	160	11.0	50-145	3.5-10	50	1/8	810VSN16T220BH000	3.1
1	1.00	25	18.6	16.0	0	480	33.1	480	33.1	210	14.5	20-145	1.4-10	80	1/4	810VSN16T230BH000	6.6
1-1/4	1.25	32	24.3	21.0	0	100	7.0	100	7.0	100	7.0	50-145	3.5-10	50	1/8	810VSN20T220BH000	4.0
1-1/4	1.25	32	27.8	24.0	0	460	31.7	460	31.7	210	14.5	20-145	1.4-10	80	1/4	810VSN20T230BH000	7.3
1-1/2	1.56	40	40.6	35.0	0	305	21.0	305	21.0	210	14.5	20-145	1.4-10	80	1/4	810VSN24T230BH000	7.9
2	2.00	50	63.8	55.1	0	190	13.0	190	13.0	190	13.0	20-145	1.4-10	80	1/4	810VSN32T230BH000	9.2
2-1/2	2.56	65	107.9	93.3	0	175	12.1	175	12.1	175	12.1	10-145	0.7-10	125	1/4	810VSN40T250BH000	18.5

Pressure ratings reflect standard product offering. Higher pressure ratings are available. Consult Parker.

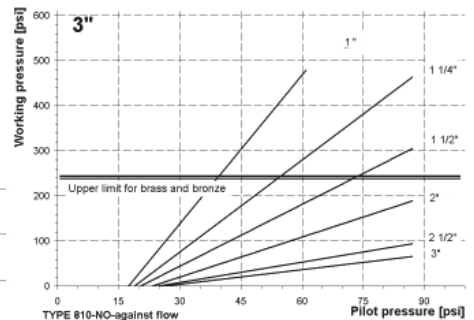
- (1) Chrome Plated Brass Actuator Standard, Anodized Aluminum for 125mm housing
- (2) For BSP porting, change "N" to "G" in the 6th position
- (3) Optional Stainless Actuator, change "B" to "S" in the 13th position
- (4) For ultra-high temperature 430°F, 1/2" to 1-1/4" sizes only, see Ultra High Temperature tables

Control Pressure & Operating Pressure Charts

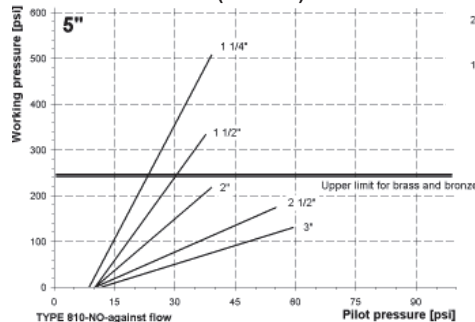
Actuator Diameter 2" (50mm)



Actuator Diameter 3" (80mm)



Actuator Diameter 5" (125mm)





Series 810: 2 Way Angle Body Valves: 1/4" to 3" NPT

On Off Control

Series 810 Operating Data: Ultra High Temp., Normally Closed, Flow Direction Under Seat- For control of fluids up to 430° F / 221° C

316L STAINLESS STEEL VALVES

Port Size	Orifice Size		Flow Coeff		Operating Pressure					Pilot Pressure		Actuator		Valve Number Stainless (1) (2) (3) (4)	Wt. lbs		
	DN		Cv	Kv	Min	psi		bar		psi		bar					
	inch	(mm)				(m ³ /h)	air, gases	water, liquids	steam	psi	bar	mm	port				
1/4	0.31	08	1.1	0.9	0	380	26.1	380	26.1	-	-	85-145	5.8-10	50	1/8	810VSN04P320BU000	2.6
1/2	0.59	15	4.1	3.6	0	380	26.1	380	26.1	-	-	85-145	5.8-10	50	1/8	810VSN08P320BU000	2.6
3/4	0.78	20	10.4	9.0	0	360	24.8	360	24.8	-	-	51-145	3.5-10	80	1/8	810VSN12P330BU000	4.2
1	1.00	25	19.7	17.1	0	250	17.2	250	17.2	-	-	51-145	3.5-10	80	1/4	810VSN16P330BU000	6.8
1-1/4	1.25	32	32.5	28.1	0	175	12.0	175	12.0	-	-	80-145	5.5-10	80	1/4	810VSN20P330BU000	7.5

Series 810 Operating Data: Ultra High Temp., Normally Closed, Flow Direction Over Seat- For control of fluids up to 430° F / 221° C

316L STAINLESS STEEL VALVES

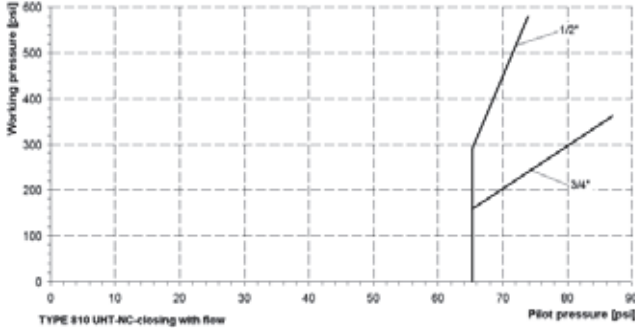
Port Size	Orifice Size		Flow Coeff		Operating Pressure					Pilot Pressure		Actuator		Valve Number Stainless (1) (2) (3) (4)	Wt. lbs		
	DN		Cv	Kv	Min	psi		bar		psi		bar					
	inch	(mm)				(m ³ /h)	air, gases	water, liquids	steam	psi	bar	mm	port				
1/4	0.31	08	1.1	0.9	0	580	40.0	-	-	330	22.7	65-145	4.5-10	50	1/8	810VSN04P120BU000	2.6
1/2	0.59	15	4.1	3.6	0	580	40.0	-	-	330	22.7	65-145	4.5-10	50	1/8	810VSN08P120BU000	2.6
3/4	0.78	20	10.4	9.0	0	360	24.8	-	-	330	22.7	65-145	4.5-10	50	1/8	810VSN12P120BU000	2.9
1	1.00	25	19.7	17.1	0	475	32.7	-	-	330	22.7	51-145	3.5-10	80	1/4	810VSN16P130BU000	6.8
1-1/4	1.25	32	32.5	28.1	0	360	24.8	-	-	330	22.7	51-145	3.5-10	80	1/4	810VSN20P130BU000	7.5

Pressure ratings reflect standard product offering. Higher pressure ratings are available. Consult Parker.

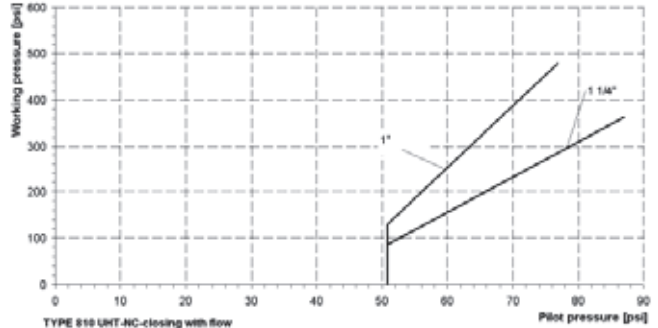
- (1) Chrome Plated Brass Actuator Standard, Anodized Aluminum for 125mm housing
- (2) For BSP porting, change "N" to "G" in the 6th position
- (3) Optional Stainless Actuator, change "B" to "S" in the 13th position
- (4) For ultra high temperature stainless valves, seal material changes from PTFE to PEEK.

Control Pressure & Operating Pressure Charts

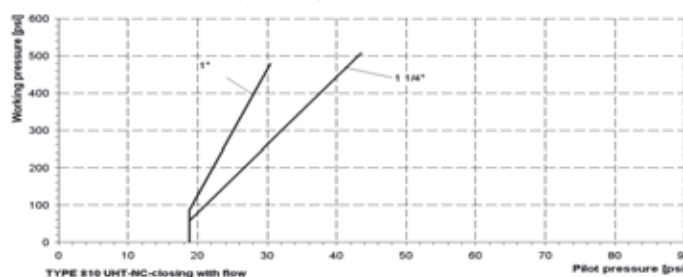
Actuator Diameter 2" (50mm)



Actuator Diameter 3" (80mm)

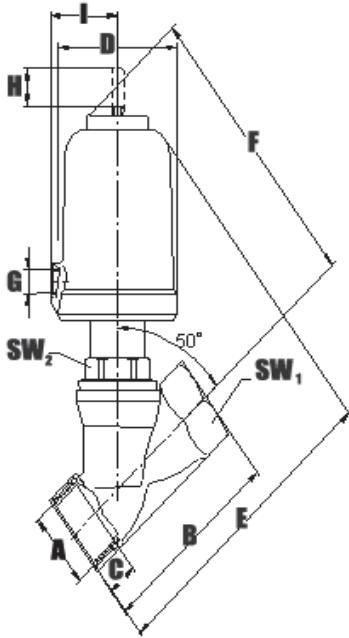


Actuator Diameter 5" (125 mm)

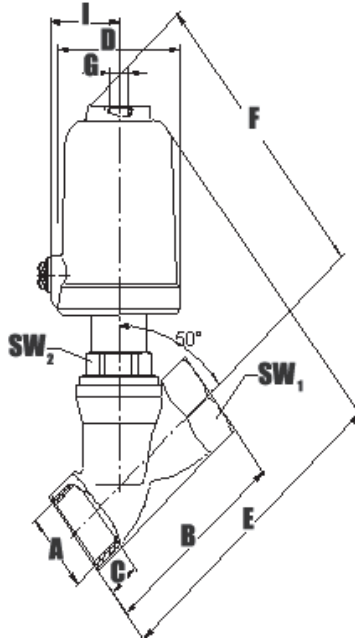


Series 810: 2 Way Angle Body Valves: 1/4" to 3" NPT

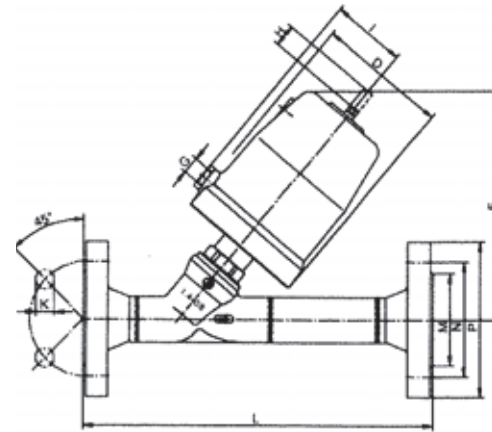
Series 810 Operating Data: Dimensions and Weights



Normally Closed



Normally Open



Flanged Version

A Pipe Size NPT	Actuator Diameter mm	DN	B		C	D	E		F	G	H	I	SW1		SW2		Cv-values		Weight	
			Bronze	Brass			Bronze	Brass					stroke	Bronze	Brass	Bronze	Brass	lbs.	Kg.	
1/4"	50	08	2.35	-	0.45	2.45	5.10	-	4.85	G1/8	0.33	1.35	0.80	-	1.20	1.1	-	2.2	1.0	
3/8"	50	10	2.35	-	0.45	2.45	5.10	-	4.85	G1/8	0.35	1.35	0.90	-	1.20	1.9	-	2.3	1.0	
1/2"	50	15	2.55	-	0.60	2.45	5.30	-	4.70	G1/8	0.28	1.35	1.00	-	1.20	4.1	-	2.4	1.1	
3/4"	50	20	2.95	-	0.65	2.45	5.30	-	4.90	G1/8	0.47	1.35	1.20	-	1.20	9.2	-	2.6	1.2	
1"	50	25	3.55	-	0.75	2.45	5.70	-	5.10	G1/8	0.63	1.35	1.55	-	1.20	17.3	-	3.1	1.4	
1"	80	25	3.55	-	0.75	3.80	7.30	-	6.70	G1/4	0.63	2.15	1.55	-	1.20	18.5	-	6.6	3.0	
1-1/4"	50	32	4.35	-	0.85	2.45	6.30	-	5.70	G1/8	0.63	1.35	1.90	-	1.20	24.3	-	4.0	1.8	
1-1/4"	80	32	4.35	-	0.85	3.80	7.85	-	7.50	G1/4	0.79	2.15	1.90	-	1.20	27.7	-	7.3	3.3	
1-1/4"	125	32	4.35	-	0.85	5.75	9.05	-	8.45	G1/4	0.79	3.15	1.90	-	1.20	28.0	-	12.1	5.5	
1-1/2"	50	40	4.70	-	0.85	2.45	6.50	-	5.90	G1/8	0.63	1.35	2.15	-	1.20	35.0	-	4.6	2.1	
1-1/2"	80	40	4.70	-	0.85	3.80	8.05	-	7.70	G1/4	0.91	2.15	2.15	-	1.20	40.4	-	7.9	3.6	
1-1/2"	125	40	4.70	-	0.85	5.75	9.25	-	8.65	G1/4	0.91	3.15	2.15	-	1.20	40.4	-	12.8	5.8	
2"	50	50	5.90	-	1.00	2.45	7.30	-	6.30	G1/8	0.63	1.35	2.70	-	1.25	46.0	-	5.9	2.7	
2"	80	50	5.90	-	1.00	3.80	8.85	-	7.85	G1/4	1.14	2.15	2.70	-	1.25	63.5	-	9.2	4.2	
2"	125	50	5.90	-	1.00	5.75	9.85	-	8.85	G1/4	1.14	3.15	2.70	-	1.25	63.5	-	14.1	6.4	
2-1/2"	80	65	-	7.10	1.20	3.80	-	10.25	8.25	G1/4	1.14	2.15	-	3.35	1.60	-	107	13.6	6.2	
2-1/2"	125	65	-	7.10	1.20	5.75	-	11.20	9.45	G1/4	1.14	3.15	-	3.35	1.60	-	107	18.5	8.4	
3"	80	80	-	8.25	1.30	3.80	-	11.00	8.85	G1/4	1.14	2.15	-	3.95	1.60	-	133	18.3	8.3	
3"	125	80	-	8.25	1.30	5.75	-	12.00	9.85	G1/4	1.14	3.15	-	3.95	1.60	-	133	23.1	10.5	

Dimension in inches except as noted

Dimension and Weights for High Temperature

A Pipe Size NPT	Actuator Diameter mm	DN	B	C	D	E	F	G	H	I	SW1	SW2	Cv-values	Weight	
														lbs.	Kg.
1/4"	50	08	2.35	0.45	2.45	5.10	5.60	G1/8	0.33	1.35	0.80	1.20	1.1	2.2	1.0
1/2"	50	15	2.55	0.60	2.45	5.30	5.47	G1/8	0.28	1.35	1.00	1.20	4.1	2.6	1.2
3/4"	50	20	2.95	0.65	2.45	5.30	5.67	G1/8	0.47	1.35	1.20	1.20	9.3	2.9	1.3
3/4"	80	20	2.95	0.65	3.80	7.30	7.13	G1/4	0.47	1.35	1.20	1.20	9.3	4.2	1.9
1"	50	25	3.55	0.75	2.45	5.70	7.28	G1/8	0.63	1.35	1.55	1.20	17.4	6.8	3.1
1"	80	25	3.55	0.75	3.80	7.30	8.47	G1/4	0.63	2.15	1.55	1.20	18.6	11.7	5.3
1-1/4"	80	32	4.35	0.85	3.80	7.85	7.92	G1/4	0.79	2.15	1.90	1.20	24.4	7.5	5.4
1-1/4"	125	32	4.35	0.85	5.75	9.05	9.10	G1/4	0.79	3.15	1.90	1.20	27.8	12.3	5.6

Dimension in inches except as noted

Dimension and Weights for Flanged

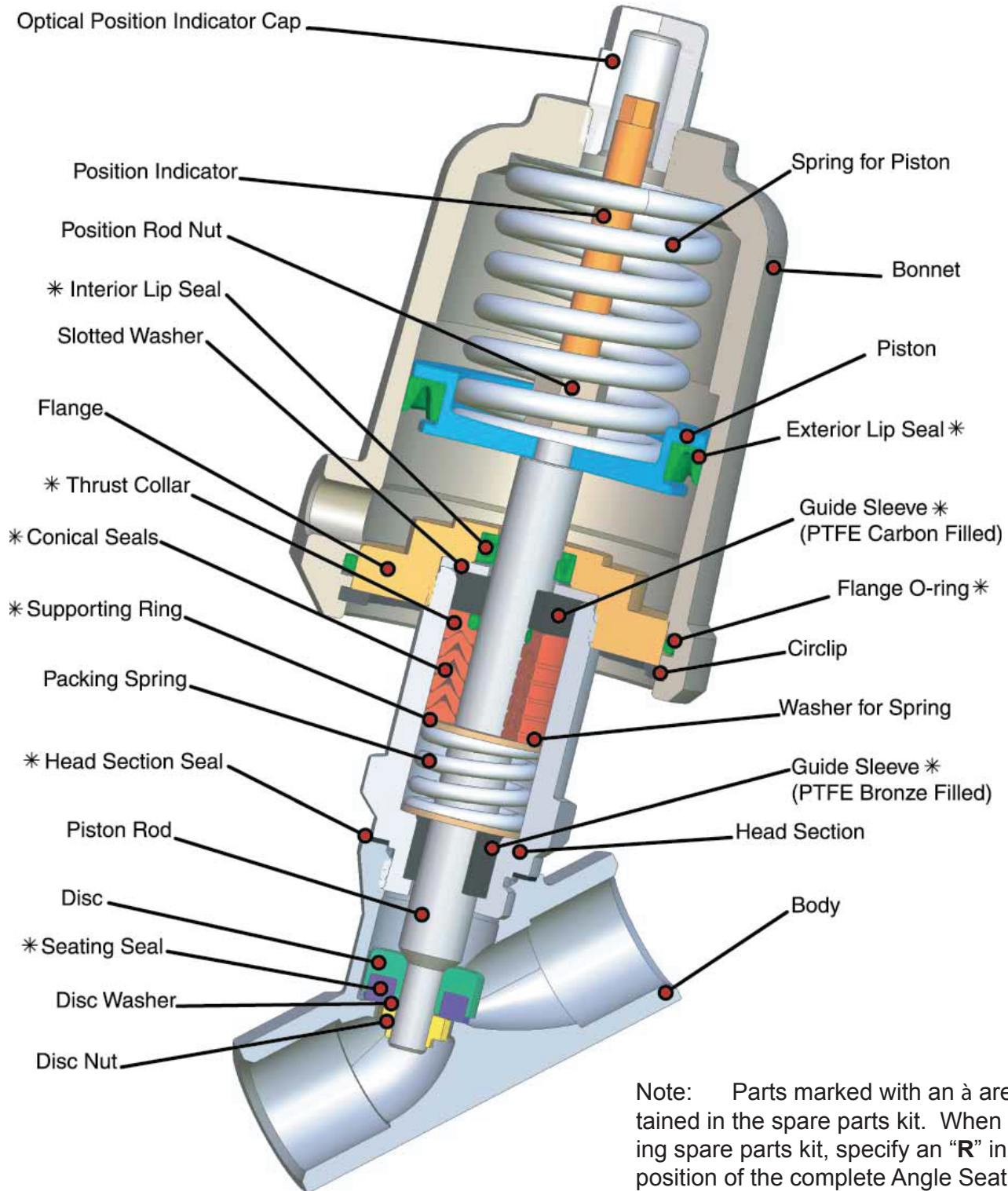
A Pipe Size NPT	Actuator Diameter mm	DN	M	N	P	F	K	L	D No. of drillings	Weight	
										lbs.	Kg.
1/2"	50	15	2.38	3.50	2.45	4.90	0.55	9.05	4	6.0	2.7
3/4"	50	20	2.75	3.88	2.45	4.90	0.55	10.25	4	7.5	3.4
1"	50	25	3.12	4.25	2.45	5.10	0.55	10.25	4	9.0	4.1
1"	80	25	3.12	4.25	3.80	6.70	0.55	10.25	4	12.6	5.7
1-1/4"	50	32	3.50	4.62	2.45	5.70	0.70	11.80	4	12.6	5.7
1-1/4"	80	32	3.50	4.62	3.80	7.30	0.70	11.80	4	15.9	7.2
1-1/4"	125	32	3.50	4.62	5.75	8.45	0.70	11.80	4	20.7	9.4
1-1/2"	50	40	3.88	5.00	2.45	5.90	0.70	11.80	4	14.1	6.4
1-1/2"	80	40	3.88	5.00	3.80	7.50	0.70	11.80	4	17.4	7.9
1-1/2"	125	40	3.88	5.00	5.75	8.65	0.70	11.80	4	22.1	10.0
2"	50	50	4.75	6.00	2.45	6.30	0.70	13.80	4	19.0	8.6
2"	80	50	4.75	6.00	3.80	7.70	0.70	13.80	4	22.3	10.1
2"	125	50	4.75	6.00	5.75	8.85	0.70	13.80	4	27.6	12.5

Dimension in inches except as noted

Series 810: 2 Way Angle Body Valves: 1/4" to 3" NPT

On Off Control

Series 810 Typical Cross Section Drawing



Note: Parts marked with an * are contained in the spare parts kit. When ordering spare parts kit, specify an "R" in the 4th position of the complete Angle Seat Valve Model Number.