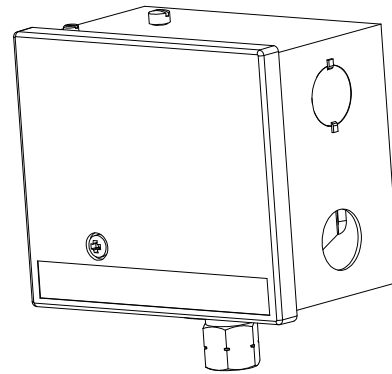
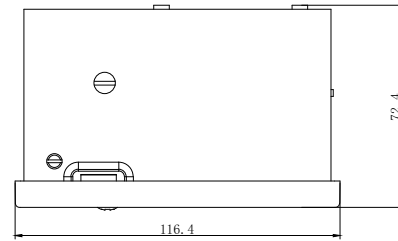
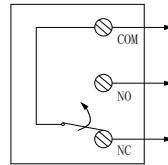
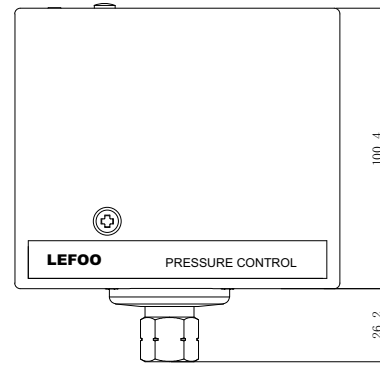
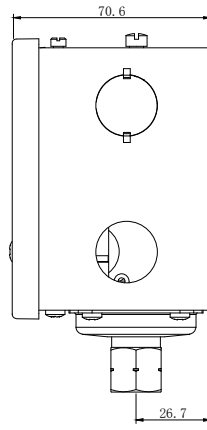


LF56

Pressure switch

LEFOO



Dimension in :mm

LF56 series pressure switches are mainly used to control pressure of boiler or water tower regulating system. When the system pressure exceed the setting point , the switch will cut off the circuit for protection. With SPDT contact arrangement, LF56 switch can detect the pressure change and shift the internal status accordingly to control the on/off of external circuits, which is available for the pressure control, limit and alarm of non-hazardous liquid, gas and steam.

Model Number	Operating Ranges		Subtractive Differential		Maximum Diaphragm pressure	
	kPa	psi	kPa	psi	kPa	psi
LF5615	15-100	2-15	15-40	2-6	170	25
LF5650	35-350	5-50	40-100	6-14	590	85
LF56150	70-1035	10-150	70-150	10-22	1550	225
LF56300	140-2070	20-300	140-345	20-50	2410	350

Contact load ratings

Voltage	FL	LR
AC	A	A
240	5.1	30.6
120	8.0	48.0

Specification

Contact arrangement	SPDT
Working media	Standard model for oil, water, air, steam , liquid and other non-corrosive media, chlorine-containing liquids are not available.
Ambient temperature	-29°C ~ 66°C
Media Temp	-40°C ~ 180°C non-frozen condition
Pressure Diaphragm	stainless steel
Thermal Material	brass
Connection	NPT1/4、G1/4、R1/4
The housing has a clear plastic cover that allows you to view the pressure control point	