



Acoustic device, compact, IP40\_x

**Referencia** M22-AMC  
**Catalog No.** 229015  
**Alternate Catalog No.** M22-AMCQ

**Delivery program**

Product range			RMQ-Titan
Basic function			Acoustic device
Single unit/Complete unit			Single unit
Description			without buzzer with BA 9s lamp socket
<b>Colour</b>			
			Black
Degree of Protection			IP40
Connection to SmartWire-DT			no

**Technical data**

**General**

Standards			IEC/EN 60947 VDE 0660
Climatic proofing			Damp heat, constant, to IEC 60068-2-78 Damp heat, cyclic, to IEC 60068-2-30
Degree of Protection			IP40
Ambient temperature			
Open		°C	-25 - +70
Mounting position			As required
Mechanical shock resistance		g	30 Shock duration 11 ms Sinusoidal according to IEC 60068-2-27
Terminal capacities		mm <sup>2</sup>	
Solid		mm <sup>2</sup>	2 x (0.5 - 1.5)
Stranded		mm <sup>2</sup>	0.5 - 1.5
shipping classification			DNV GL LR
			  

**Contacts**

Rated impulse withstand voltage	$U_{imp}$	V AC	4000
Rated insulation voltage	$U_i$	V	250
Overvoltage category/pollution degree			III/3

**Design verification as per IEC/EN 61439**

Datos técnicos para la verificación del diseño			
Temperatura ambiente mínima de funcionamiento		°C	-25
Temperatura ambiente máxima de funcionamiento		°C	70

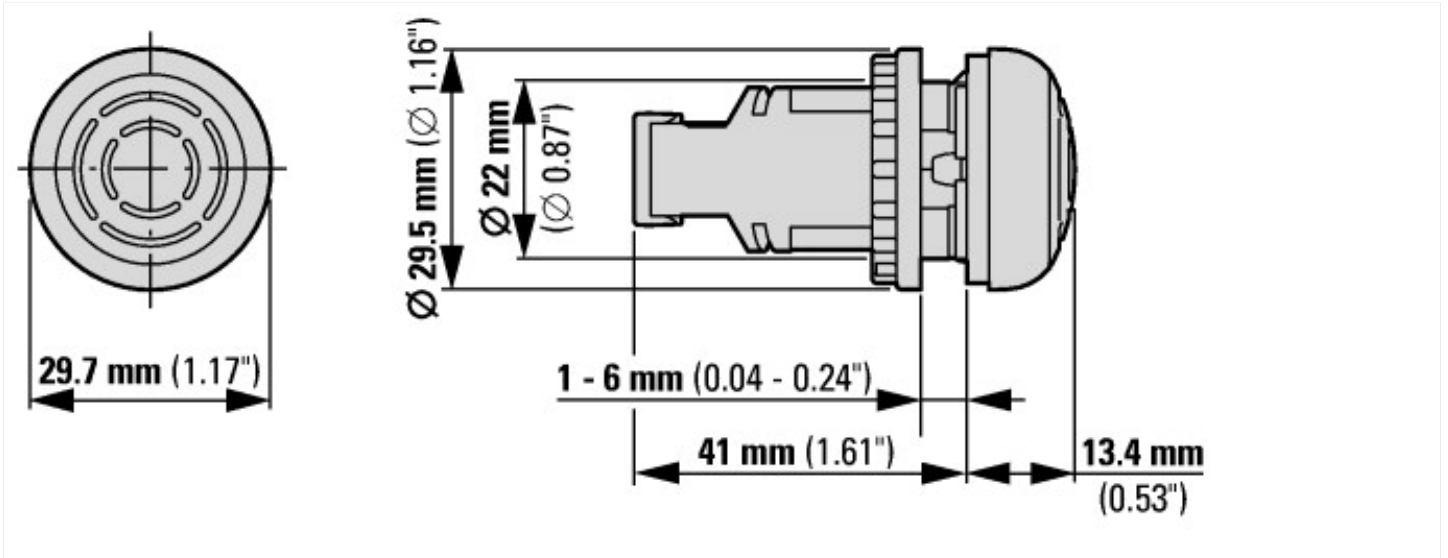
**Technical data ETIM 7.0**

Tipo de señal acústica		Tono continuo
Volumen	Decibel	0
Tensión de funcionamiento con CA 50 Hz	Volt	0 - 0
Tensión de funcionamiento con CA 60 Hz	Volt	0 - 0
Tensión de funcionamiento con CC	Volt	0 - 0
Tipo de tensión		CA/CC

## Approvals

Product Standards		IEC/EN 60947-5; UL 508; CSA-C22.2 No. 14-05; CSA-C22.2 No. 94-91; CE marking
UL File No.		E29184
UL Category Control No.		NKCR
CSA File No.		012528
CSA Class No.		3211-03
North America Certification		UL listed, CSA certified
Degree of Protection		UL/CSA Type 3R, 4X, 12, 13

## Dimensions



## Additional product information (links)

### IL04716002Z (AWA1160-1745) RMQ-Titan System

IL04716002Z (AWA1160-1745) RMQ-Titan System

[https://es-assets.eaton.com/DOCUMENTATION/AWA\\_INSTRUCTIONS/IL04716002Z2021\\_07.pdf](https://es-assets.eaton.com/DOCUMENTATION/AWA_INSTRUCTIONS/IL04716002Z2021_07.pdf)