



ECO Compact distribution board, flush mounting, 1-rows, 5 MU, IP40

Part no. BC-U-1/5-ECO
Catalog No. 280352

Delivery program

Basic function			Basic device
Product function			Installation distribution boards
Product range			ECO DBO
Design			Flush mounted
Installation site			Indoor
Type of installation			Flush mounting
Door/Flap			Transparent
Degree of Protection			IP40
Colour			White
Module rack			Single-rail
Shroud for protection against accidental contact			Plastic
Rows	Count		1
Module units per row			5
Description			IP40 Protection Class II Plastic housing white (RAL 9003)
Cable entries			Cable entry ribs on top and bottom
PE and N terminals design			Screw terminals
PE and N terminals	Number x cross- sectional area	mm ²	PE: 4 x 10 N: 4 x 10
Equipment supplied			Basic device Device support rails Neutral-/protective conductor terminal

Technical data

General

Standards			EN 62208
RoHS (in accordance with Directive 2002/95/EC of the European Parliament and Council)			conform
Ambient temperature		°C	-20 - +70
Degree of Protection			IP40
Protection class			II (totally insulated)
Rated operational voltage	U _e	V AC	400
Rated frequency	f	Hz	50

Material characteristics

Material			ABS (plastic)
Colour			white (RAL 9003)

Material properties

Mechanical			
Impact resistance			IK05

Design verification as per IEC/EN 61439

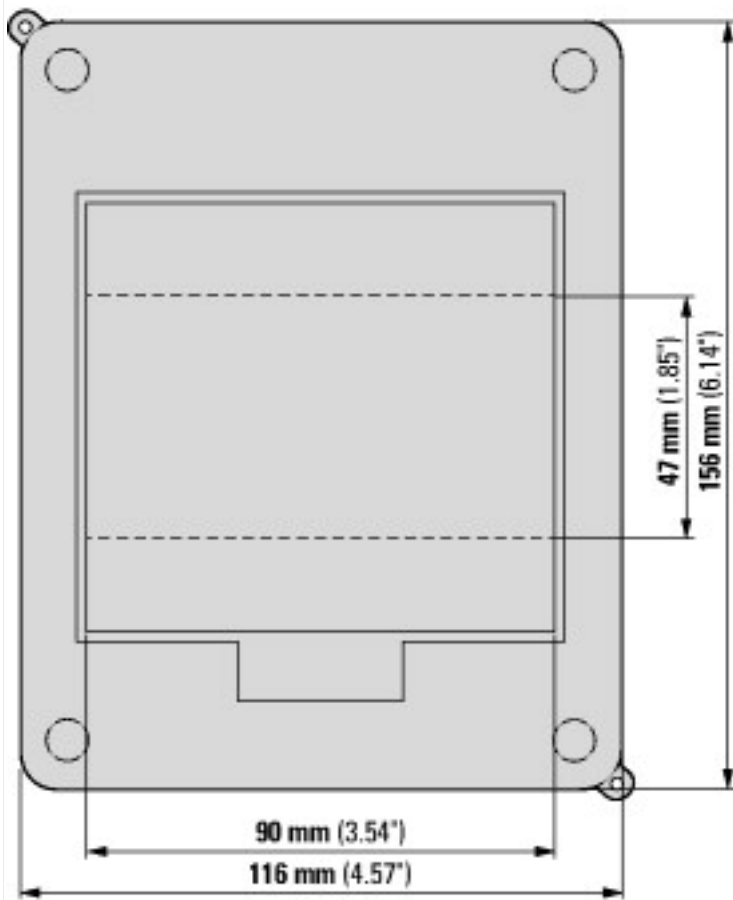
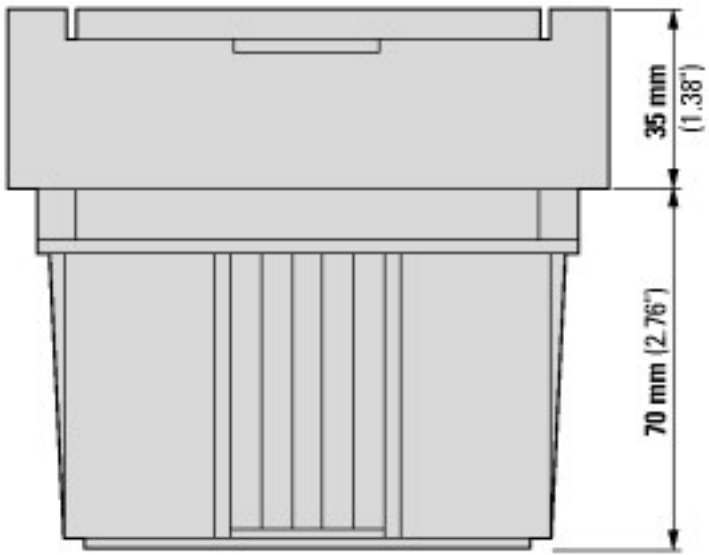
IEC/EN 61439 design verification			
10.2 Strength of materials and parts			
10.2.2 Corrosion resistance			Meets the product standard's requirements.
10.2.3.1 Verification of thermal stability of enclosures			Meets the product standard's requirements.
10.2.3.2 Verification of resistance of insulating materials to normal heat			Meets the product standard's requirements.
10.2.3.3 Verification of resistance of insulating materials to abnormal heat and fire due to internal electric effects			850 °C; meets the product standard's requirements.
10.2.4 Resistance to ultra-violet (UV) radiation			Not relevant to indoor installations.

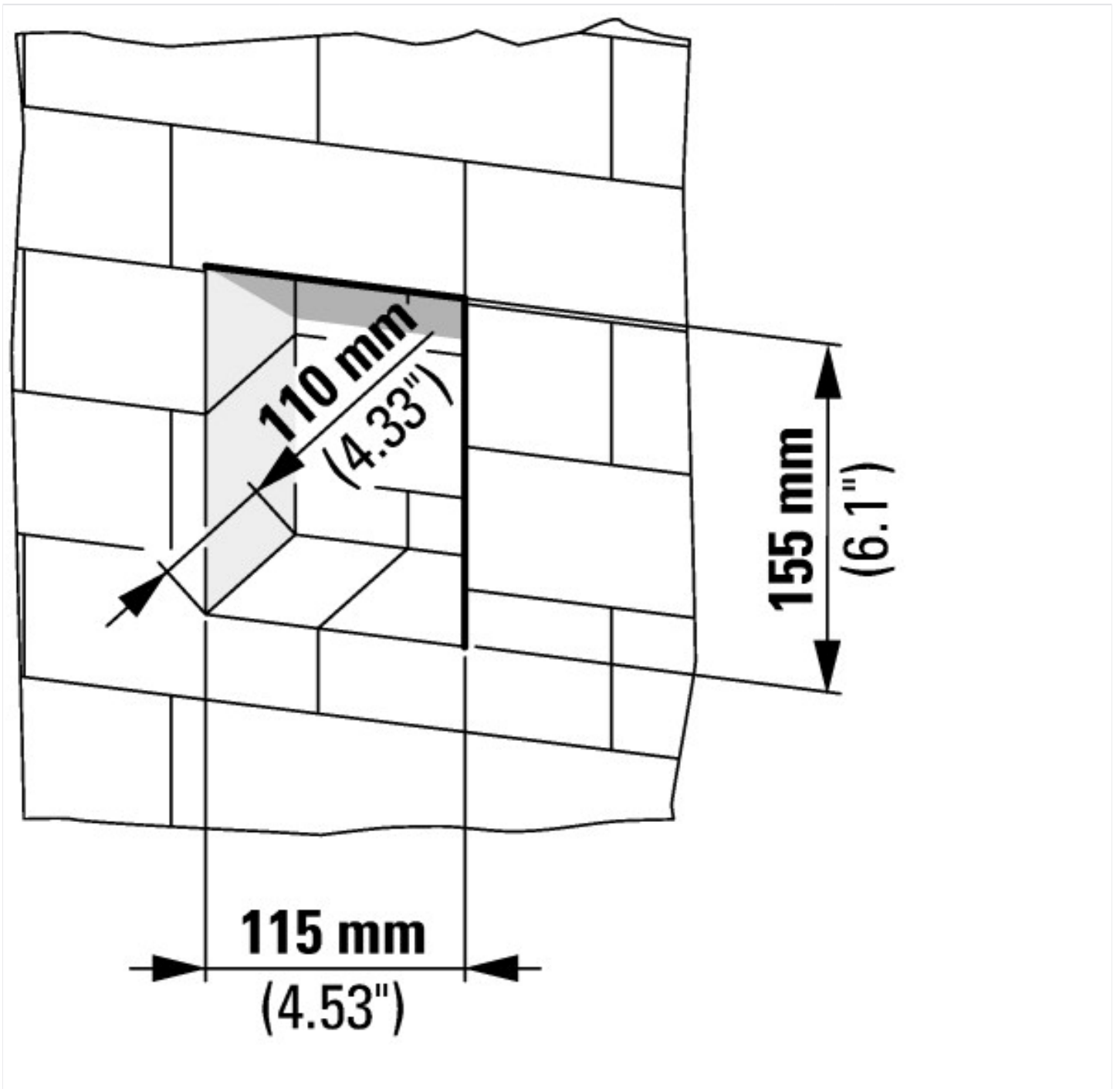
10.2.5 Lifting		Does not apply to enclosures without lifting aids.
10.2.6 Mechanical impact		IK05
10.2.7 Inscriptions		Meets the product standard's requirements.
10.3 Degree of protection of ASSEMBLIES		IP40
10.4 Clearances and creepage distances		Is the panel builder's responsibility.
10.5 Protection against electric shock		Protection class 2, therefore not applicable.
10.6 Incorporation of switching devices and components		Is the panel builder's responsibility.
10.7 Internal electrical circuits and connections		Is the panel builder's responsibility.
10.8 Connections for external conductors		Is the panel builder's responsibility.
10.9 Insulation properties		
10.9.2 Power-frequency electric strength		$U_i = 400 \text{ V AC}$
10.9.3 Impulse withstand voltage		3.75 kV
10.9.4 Testing of enclosures made of insulating material		Meets the product standard's requirements.
10.10 Temperature rise		The panel builder is responsible for the temperature rise calculation. Eaton will provide heat dissipation data for the devices.
10.11 Short-circuit rating		Is the panel builder's responsibility.
10.12 Electromagnetic compatibility		Is the panel builder's responsibility.
10.13 Mechanical function		Meets the product standard's requirements.

Technical data ETIM 8.0

Distribution boards (EG000023) / Small distribution board (EC000214)		
Electric engineering, automation, process control engineering / Electrical installation, device / Electrical distribution system (incl. small distribution board) / Small distribution board (ecl@ss10.0.1-27-14-24-09 [ACN387011])		
Mounting method		Flush mounted (plaster)
Number of rows		1
Width in number of modular spacings		5
Type of cover		Door
Cover model		Closed
Transparent cover/door		Yes
Material housing		Plastic
Height	mm	110
Width	mm	124
Depth	mm	173
Built-in depth	mm	70
Built-in height	mm	0
Built-in width	mm	0
Internal depth	mm	97
Earthing terminal block		No
Neutral terminal block		No
DIN-rail		Yes
With mounting plate		No
Extension possible		No
EMC-version		No
Colour		White
RAL-number		9003
Degree of protection (IP)		IP40
With lock		No
Type of closure		Other
Signal passing door		No

Dimensions





Additional product information (links)

IL014002Z ECO compact distribution board

IL014002Z ECO compact distribution board https://es-assets.eaton.com/DOCUMENTATION/AWA_INSTRUCTIONS/IL014002ZU2014_02.pdf

Product overview (Web) <http://www.eaton.eu/DE/Europe/Electrical/ProductsServices/Residential/index.htm>