

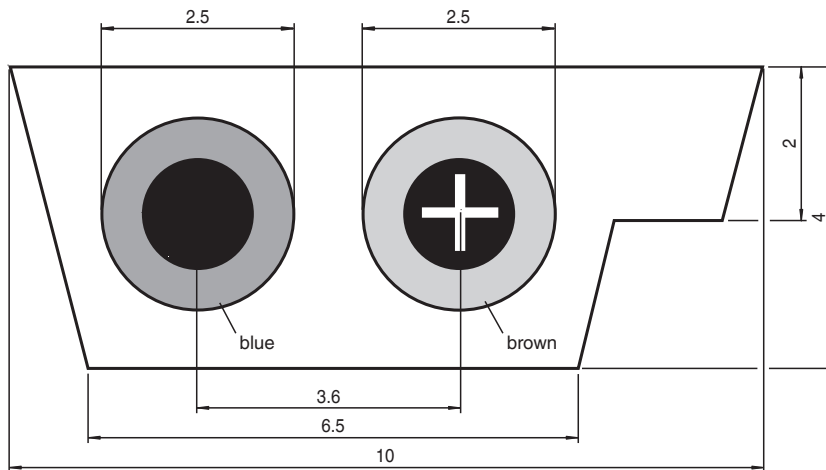
AS-Interface flat cable VAZ-FK-R-YE

- Oil resistant
- Cable piercing technique
- Resistant to environmental influence
- Resistant to bending
- Suitable for drag chains and abrasion resistant
- Reverse polarity protected due to the shape of the cable
- Does not give off silicone
- Graduations in meters

AS-Interface flat cable



Dimensions



Technical Data

General specifications	
UL File Number	E130266
Electrical specifications	
Nominal voltage	30.5 V
Current loading capacity	According to DIN VDE 0298 Part 4, Table 6, Column 4
Ambient conditions	
Conductor temperature	Operating mode: 90 °C (363 K) Short-circuit: 200 °C (473 K)
Ambient temperature	-40 ... 105 °C (-40 ... 221 °F) at standstill, -30 ... 105 °C (-22 ... 221 °F) in motion
Mechanical specifications	
Core cross section	Copper tin-plated, extra-fine wire, class 6 in accordance with DIN VDE 0295 cross-section 1.5 mm ²
Bending radius	min. permissible bend radii in accordance with DIN VDE 0298 Part 3, Table 2 Bending stress only permitted on the wide side of the cable
Tension loading	max. 50 N/mm ² on laying acc. to DIN VDE 0298 Part 3
Material	Thermoplastic Elastomer (TPE)
Core insulation	Thermoplastic Elastomer (TPE)
Cable	UL-Style 2103

Release date: 2022-06-20 Date of issue: 2022-06-20 Filename: 040923_eng.pdf

Refer to "General Notes Relating to Pepperl+Fuchs Product Information".

Pepperl+Fuchs Group
www.pepperl-fuchs.com

USA: +1 330 486 0001
fa-info@us.pepperl-fuchs.com

Germany: +49 621 776 1111
fa-info@de.pepperl-fuchs.com


Singapore: +65 6779 9091
fa-info@sg.pepperl-fuchs.com

PEPPERL+FUCHS

Technical Data

Color	yellow (similar to RAL 1012)
Drag chain suitability	
Drag chain cycles	min. 10000000
Motion velocity	max. 4 m/s
Traverse distance	10 m
Acceleration	max. 4 m/s ²
Cable length	100 m
Flammability	
Cable	Flame-retardant as per IEC 60332-1-2 and UL 1581, Sec. 1061
Note	The cable is intended for use as a bus power line in inside areas. Only cable with a black sheathing is suitable for outside use.

Accessories

	VAZ-FK-ED3	AS-Interface end seal for flat cable
-----------------------------------------------------------------------------------	-------------------	--------------------------------------